



**water passion**

# 1959

## WHO WE ARE

WE WANT TO CONTINUE THAT WHICH WAS STARTED MANY YEARS AGO BY VINICIO METTIFOGO, FOUNDER AND PIONEER.

Calpeda is a family owned company with an history of 62 years.

Today, we are a reality that has evolved over the years, always looking to the future with a spirit that has brought us to being a respected reference point in the great world of water.

Our history has taken our tradition and strength to you, acknowledged for our professionalism, quality, reliability and service.



# 2021

## CALPEDA TODAY

Employees: 260

Offices: Montorso V. (Vicenza) Italy

Main factory: 35,000 sq. metres (covered)

Types of pumps: more than 2,000

Power outputs: from 0.5 kW to 200 kW



**e-idos<sup>®</sup>**  
products  
**NEW**




pag. 7 **mèta**  
Pressurized system  
with integrated control

**e-idos<sup>®</sup>**  
products  
**NEW**



pag. 11 **E-MXP, E-MXA, E-NGX**  
Pressurized system  
with integrated control

**e-idos<sup>®</sup>**  
products  
**NEW**



pag. 16 **E-MPS**  
Pressurized system  
with integrated control




pag. 19 **NM, NMD**  
Close coupled centrifugal pumps  
with threaded ports


**NEW**



pag. 31 **NM(EI), NMS**  
Close coupled centrifugal pumps  
with flanged connections



pag. 49 **NM4(EI), NMS4**  
Close coupled centrifugal pumps  
n = 1450 rpm




pag. 69 **N, N4**  
End-suction centrifugal pumps  
EN 733


**NEW**



pag. 95 **NR(EI), NR4(EI)**  
In-line pumps



pag. 115 **MXH(EI), MXHL**  
Horizontal multi-stage  
stainless steel pumps AISI 304, AISI 316L



pag. 131 **MXP**  
Horizontal multi-stage  
close coupled pumps



pag. 133 **MGP**  
Horizontal multi-stage  
close coupled pumps



pag. 135 **MPSU**  
Vertical multi-stage close coupled  
stainless steel pumps

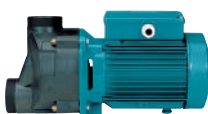


pag. 139 **MXV-B(EI)**  
Vertical multi-stage close coupled  
stainless steel pumps

**NEW**



pag. 147 **MXV(EI), MXVL**  
Vertical multi-stage  
stainless steel pumps AISI 304, AISI 316L



pag. 175 **SPA** Compact Spa  
Self-draining whirlpool pumps



pag. 177 **MPC** Compact Pool  
Self-priming swimming pool pumps

**NEW**



pag. 181 **NMP**  
Self-priming centrifugal pumps  
with built-in strainer




pag. 185 **PF**  
Pre-filters in stainless steel



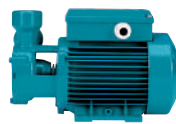
pag. 187 **A**  
Self-priming centrifugal pumps  
with open impeller



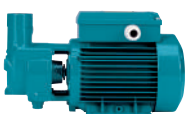
pag. 193 **C**  
Centrifugal pumps  
with open impeller




pag. 199 **CT**  
Peripheral pumps



pag. 203 **T, TP**  
Peripheral pumps



pag. 209 **CA**  
Self-priming liquid ring pumps



pag. 213 **NGL**  
Self-priming pumps



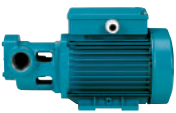
pag. 217 **NGX**  
Self-priming pumps




pag. 221 **NG**  
Self-priming pumps




pag. 229 **MXA**  
Horizontal multi-stage  
Self-priming pumps




pag. 231 **I, IR**  
Gear pumps




pag. 233 **VAL, SC**  
Vertical submerged pumps




pag. 237 **GM 10**  
Submersible drainage pump




pag. 239 **GXR, GXV**  
Submersible stainless steel pumps



pag. 249 **GX ZERO**  
Submersible clean water pumps



pag. 251 **GQR**  
Submersible drainage pumps




pag. 255 **GX 40**  
Submersible stainless steel pumps



pag. 259 **GQS, GQV**  
Submersible sewage and  
drainage pumps **NEW**




pag. 265 **GQN**  
Submersible sewage and  
drainage pumps



pag. 269 **GM 50**  
Submersible sewage and drainage pumps



pag. 273 **GQG**  
Submersible pumps  
with high power grinder



pag. 277 **GM**  
Submersible pumps




pag. 339 **GEO**  
GEOTRIT - GEOCOMP - GEOCLEAN  
Automatic lifting station



pag. 345 **GEO**  
Automatic waste water collecting  
and lifting station




pag. 373 **MP**  
Multi-stage submersible  
clean water pumps **NEW**




pag. 377 **MPS**  
Multi-stage submersible  
clean water pumps




pag. 381 **MXS**  
Stainless steel multi-stage submersible  
clean water pumps




pag. 385 **SD, SDP, SDN**  
Submersible borehole pumps  
for 4" and 6" wells **NEW**



pag. 402 **SDX**  
Stainless steel submersible borehole  
pumps for 6" and 8" wells **NEW**



pag. 423 **SDS**  
Submersible borehole pumps  
for 6" - 8" and 10" wells



pag. 435 **CS-R**  
Submersible motors  
for 4" - 6" - 8" and 10" wells

# INDEX



pag. 447 **NCE**

Heating and conditioning



pag. 497 **IDROMAT**

Electronic regulator for pumps



pag. 501 **EASYMAT**

Variable speed system driven  
by frequency converter



pag. 505 **I-MAT** *NEW*

Variable speed system driven  
by frequency converter



pag. 509 **BS**

Pressure boosting sets



pag. 595 **EJ, DJ, EDJ**

UNI-EN 12845 units for feeding  
fire-extinguishing systems



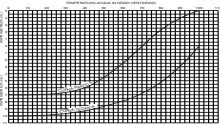
pag. 601 **QM, QT**

Control panels



pag. 622 **Accessories**

Accessories for pumps

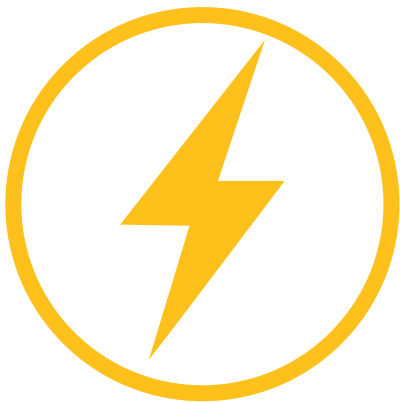


pag. 628

Technical appendix

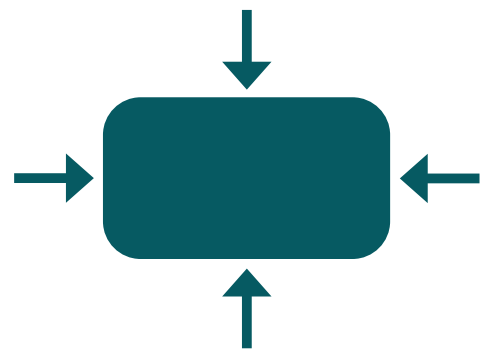
e-idös®  
products

**PLUG AND PLAY  
SOLUTION**



**ENERGY  
EFFICIENCY**

**COMPACT  
DESIGN**



## Construction

Self-priming booster set with built in frequency converter.

MÈTA is a plug and play solution, the pump is equipped with an integrated pressure transducer, an integrated check valve and a built-in pressure vessel.

The VSD controls the start and stop of the pump and allows to keep a constant pressure.

## Applications

For water supply.  
For domestic use, for garden use and irrigation.

## Features

- integrated frequency converter
- built-in pressure vessel
- high efficiency asynchronous single-phase motor
- motor power control
- programmable re-start pressure
- no hydraulic losses due to the measuring devices
- voltage and current control
- monitoring of maximum starting current

## Protections

- dry-run protection
- detects the presence of air in the pump casing
- overload control and overheating motor control
- pump blockage
- power supply control
- starts per hour control
- detects small leakages in the system

## Operating conditions

Liquid temperature: 0 °C to +35 °C.

Ambient temperature up to +40 °C.

Maximum permissible pressure in the pump casing: 8 bar.

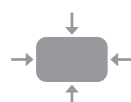
Continuous duty.



**EASY TO INSTALL**  
Plug And Play solution



**ECONOMIC SAVING**  
IE4 high efficiency asynchronous single-phase motor  
Up to 400W less energy consumption compared to a standard solution



**EASY TO USE**  
Equipped with a programmable software and, thanks to the analogic pressure sensor, the product allows to set the restart pressure.

## Materials

Component	Material
Pump casing	Cr-Ni steel 1.4301 EN 10088 (AISI 304)
Casing cover	Cr-Ni steel 1.4301 EN 10088 (AISI 304)
Pump Shaft	Cr-Ni steel 1.4305 EN 10088 (AISI 303)
Suction casing	PPO-GF20 (Noryl)
Stage casing	PPO-GF20 (Noryl)
Impeller	Cr-Ni steel 1.4301 EN 10088 (AISI 304)
Membrane	Butyl
Tank cover	POM - POLYACETAL
Membrane cap	POM - POLYACETAL
Non-return valve	POM - POLYACETAL
Plug	Cr-Ni steel 1.4305 EN 10088 (AISI 303)
Mechanical seal	Carbon - Ceramic - NBR

## Motor

2-pole induction motor.

Nominal speed 4500 rpm

Motor: variable speed

Frequency: 50 Hz

Single-phase 220-240V~50Hz/220V~60Hz, with thermal protector.

Cable: H07RN8-F, 3G1,5 mm<sup>2</sup>, length 1,5 m, with plug CEIUNEL 47166.

Insulation class F.

Protection IP X4.

Constructed in accordance with: EN 60034-1;

EN 60335-1, EN 60335-2-41.



### Performance $n \approx 4500$ rpm

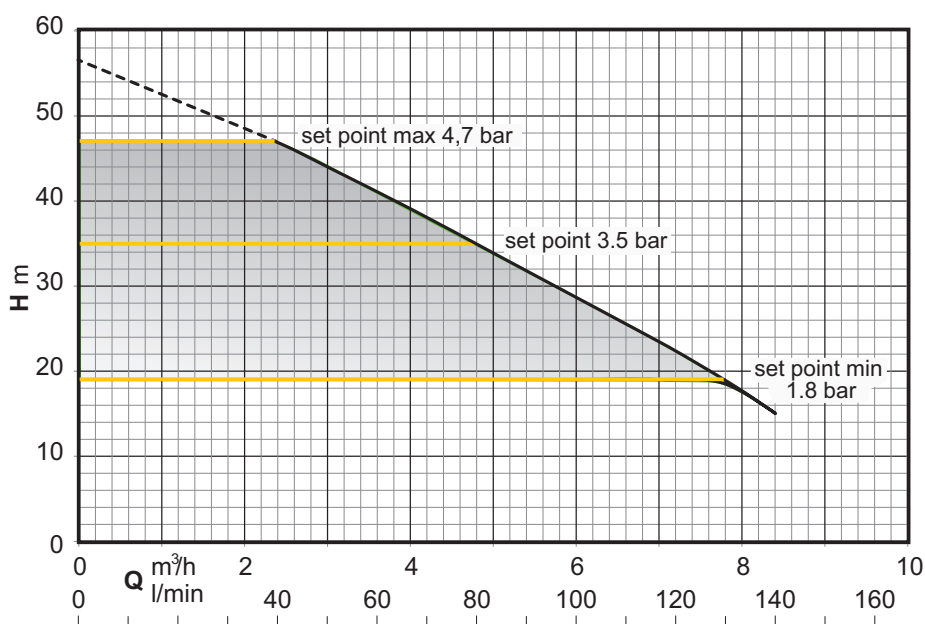
1 ~	230 V	P <sub>1</sub>	Q	0	2	3	4	5	6	6,5	7	8	8,4
				m <sup>3</sup> /h	l/min	0	33,3	50	66,6	83,5	100	108,3	116
MÉTA	5,9	1,35	H m	55	48	43,5	38,7	33,8	28,6	26	23,4	18,2	15

P<sub>1</sub> Max. power input.

Test results with clean cold water, without gas content.

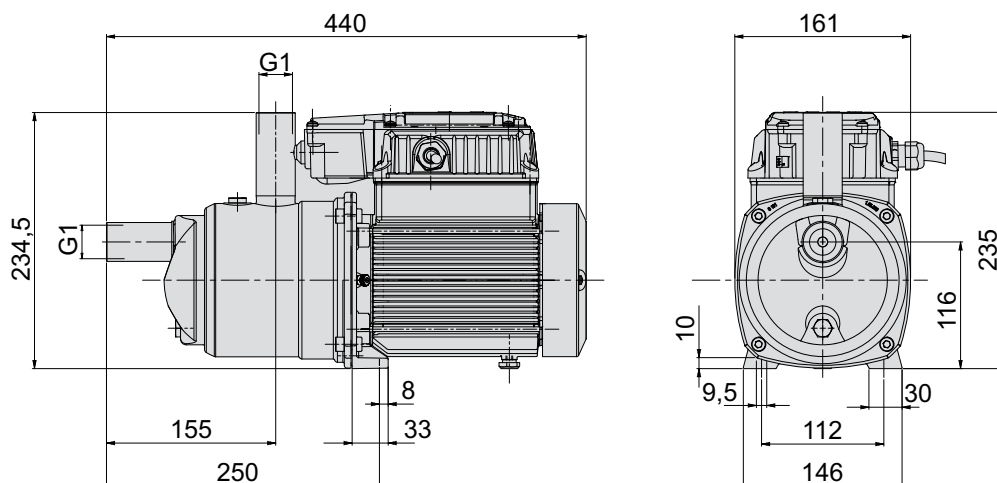
Tolerances according to UNI EN ISO 9906:2012

### Characteristic curves $n \approx 4500$ rpm



### Dimensions and weights

Net weight 12,44 kg  
With cable length: 1,5 m



## Control Panel



They allow to visualize:

- Initial screen (rUn, OFF, StB, Err)
- Motor Operating Frequency
- Delivery pressure measured by the transducer
- Supply current input
- Supply electrical power input
- Supply voltage

## think outside the box



# E-MX, E-NG

## Pressurized system with integrated control



e-idos<sup>®</sup>  
products



### Construction

Easy to install, compact and plug and play pressurized system with integrated pressure transducer for automatic control of starting/stopping of the pump when utilization points are opened/closed with a integrated non-return valve into the pump suction.

Pumps:

**E-MXP:** version with multistage pumps

**E-NGX:** version with self-priming pumps

**E-MXA:** version with self-priming multistage pumps

### Applications

For water supply.

For domestic use, for garden use and irrigation.

### Features

- high efficiency asynchronous single-phase motor
- capacitor less stressed in voltage
- uniform and lower motor temperature
- motor power control
- programmable re-start pressure
- programmable stop pressure
- no hydraulic losses due to the measuring devices
- voltage and current control
- monitoring of maximum starting current

### Protections

- dry-run protection
- overload control and overheating motor control
- pump blockage
- power supply control
- starts per hour control

### Operating conditions

Liquid temperature: 0 °C to +35 °C (0 °C to +50 °C for E-MXP).

Ambient temperature up to +40 °C.

Maximum permissible pressure in the pump casing: 8 bar.

Continuous duty.



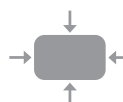
#### EASY TO INSTALL

Plug And Play solution



#### ECONOMIC SAVING

High efficiency asynchronous single-phase motor  
24 % less energy consumption compared to a standard pump



#### EASY TO USE

Equipped with a programmable software and, thanks to the analogic pressure sensor, the product allows to set the restart pressure. An ideal solution which allows to reduce or remove the need of a expansion tank

### Materials

Component	Material
Pump casing	Cr-Ni steel 1.4301 EN 10088 (AISI 304)
Casing cover	Cr-Ni steel 1.4301 EN 10088 (AISI 304)
Pump Shaft	Chrome steel 1.4104 EN 10088 (AISI 430)
Plug	Cr-Ni steel 1.4305 EN 10088 (AISI 303)
Suction casing (E-MXA)	PPO-GF20 (Noryl)
Stage casing (E-MXA,E-MXP)	PPO-GF20 (Noryl)
Impeller	PPO-GF20 (Noryl)
Diffuser (E-NGX)	PPO-GF20 (Noryl)
Ejector (E-NGX)	PPO-GF20 (Noryl)
Mechanical seal	Carbon - Ceramic - NBR

### Motor

2-pole induction motor, 50 Hz (n ≈ 2800 rpm).

Single-phase 230 V ± 10%, with thermal protector.

Capacitor inside the terminal box.

Cable: H07RN-F, 3G1,5 mm<sup>2</sup>, length 1,5 m, with plug CEI-UNEL 47166.

Insulation class F.

Protection IP X4.

Constructed in accordance with: EN 60034-1;

EN 60335-1, EN 60335-2-41.

# E-MX, E-NG 1-pump pressurized system with integrated control



## Performance $n \approx 2800$ 1/min

1 ~	230V P <sub>1</sub>		P <sub>2</sub>		Q	m <sup>3</sup> /h															
	A	kW	kW	HP		0	1	1,5	2	2,25	3	3,5	4	4,5	5	5,4	6	6,5			
E-MXPM 203-PCD	2,7	0,56	0,45	0,6	H m	33,7	30,5	28,6	26,4	25,2	21,1	17,9	14,4	10,8	7,0						
E-MXPM 204-PCD	3,8	0,70	0,55	0,75		45,1	40,9	38,5	35,8	34,4	29,4	25,6	21,3	16,7	11,9						
E-MXPM 205-PCD	4,8	0,89	0,75	1		55,6	50,4	47,3	43,9	42,1	36,1	31,4	26,3	20,9	15,3						
E-MXPM 403-PCD	3,8	0,75	0,55	0,75		34,0				30,1	27,9	26,2	24,2	22,0	19,6	17,5	13,8	10,2			
E-MXPM 404-PCD	4,8	1,05	0,75	1		44,9				39,5	36,9	34,7	32,2	29,4	26,3	23,5	18,9	14,4			

1 ~	230V P <sub>1</sub>		P <sub>2</sub>		Q	m <sup>3</sup> /h											
	A	kW	kW	HP		0	0,3	1	2	2,4	3	3,2	3,6	4	4,5	5	6
E-NGXM 2/80-PCD	3,8	0,8	0,55	0,75	H m	50,0	45,5	37,2	29,6	26,1	21,1						
E-NGXM 3/100-PCD	4,2	0,95	0,65	0,9		50,9	46	38,8	31	27,4	23,2	22,2					
E-NGXM 4/110-PCD	4,8	1	0,75	1		43,2	40,8	36,4	31,4	29,3	25,9	24,8	23	21,6	19,9		

1 ~	230V P <sub>1</sub>		P <sub>2</sub>		Q	m <sup>3</sup> /h															
	A	kW	kW	HP		0	1	1,5	2	2,25	3	3,5	4	4,5	5	5,4	6	6,5			
E-MXAM 203-PCD	2,7	0,56	0,45	0,6	H m	33,6	30,1	28,0	25,6	24,3	20,5	17,6	14,2								
E-MXAM 204-PCD	3,8	0,70	0,55	0,75		44,7	40,0	37,2	34,2	32,6	27,4	23,6	19,3	14,5							
E-MXAM 403-PCD	3,8	0,75	0,55	0,75		33,8			30,1	29,4	27,1	25,3	23,4	21,2	18,9	16,8	13,8				
E-MXAM 404-PCD	4,8	1,05	0,75	1		44,5			39,4	38,6	35,8	33,5	30,9	28,1	25,1	22,5	18,3	14,4			

P<sub>1</sub> Max. power input.

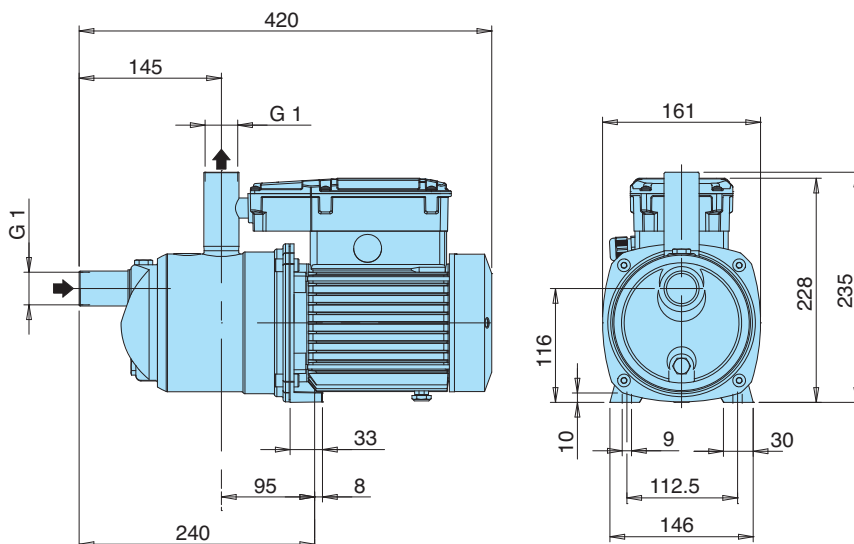
P<sub>2</sub> Rated motor power output.

Test results with clean cold water, without gas content.

Tolerances according to UNI EN ISO 9906:2012

+ 0,5 m security margin on NPSH-value is necessary.

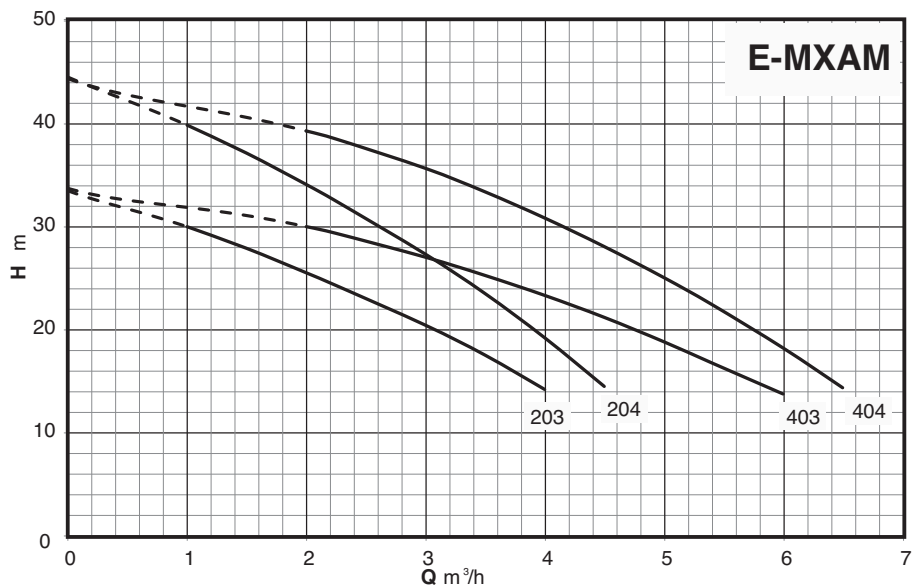
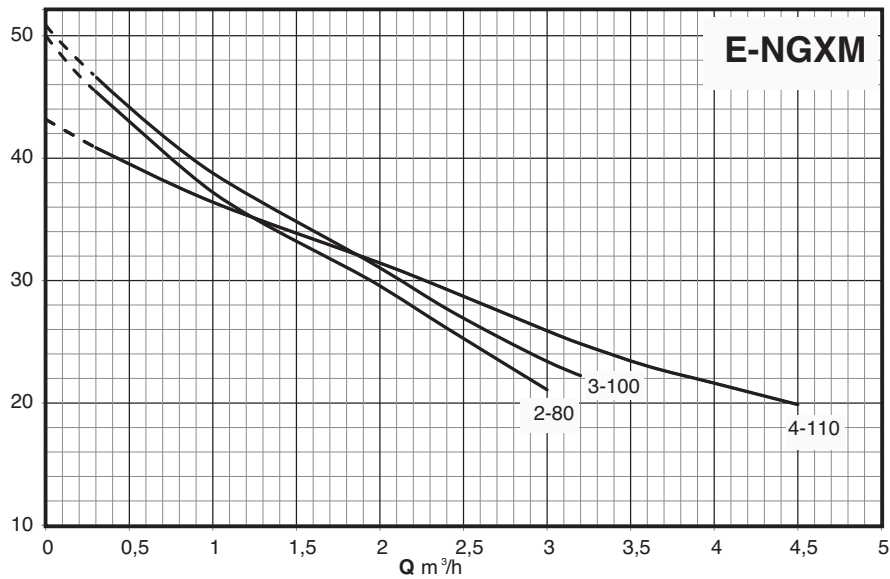
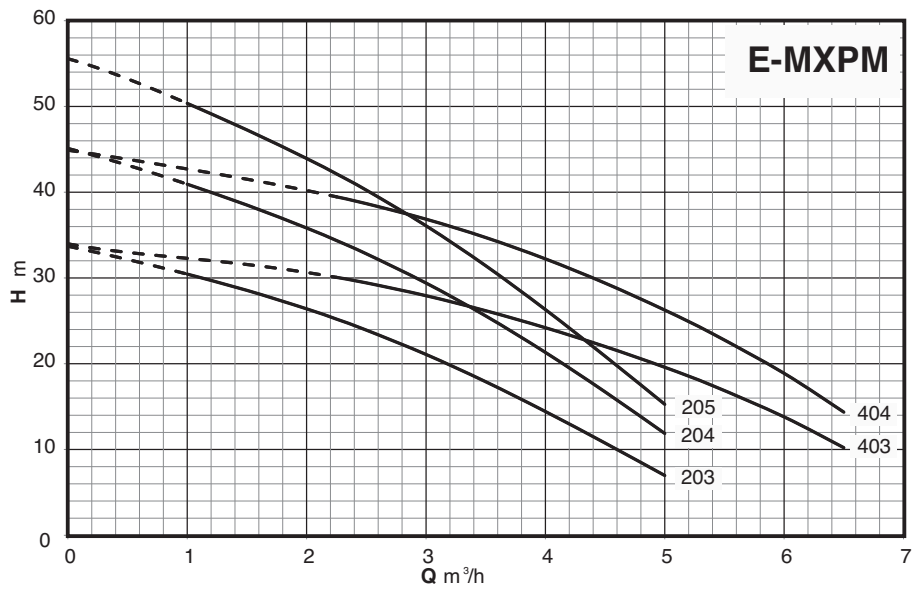
## Dimensions and weights



TYPE	Net weight kg <sup>(1)</sup>
E-MXPM 203-PCD	9,5
E-MXPM 204-PCD	10,8
E-MXPM 205-PCD	11,7
E-MXPM 403-PCD	10,6
E-MXPM 404-PCD	11,5
E-MXAM 203-PCD	9,6
E-MXAM 204-PCD	10,9
E-MXAM 403-PCD	10,7
E-MXAM 404-PCD	11,5
E-NGXM 2/80-PCD	10,0
E-NGXM 3/100-PCD	10,0
E-NGXM 4/100-PCD	10,9

<sup>(1)</sup> With cable length: 1,5 m

### Characteristic curves $n \approx 2800$ 1/min



### Performance $n \approx 2800$ 1/min

TYPE	P <sub>1</sub>		P <sub>2</sub>		Q	H												
	kW	HP	kW	HP		m <sup>3</sup> /h	0	2	3	4	4,5	6	7	8	9	10	10,8	12
BSM2F 2E-MXPM 203-PCD	0,56x2	0,6x2	0,45x2	0,6x2	l/min	0	33,3	50	66,6	75	100	116,6	133,2	150	166,6	180	200	216,6
BSM2F 2E-MXPM 204-PCD	0,70x2	0,75x2	0,55x2	0,75x2	0	33,7	30,5	28,6	26,4	25,2	21,1	17,9	14,4	10,8	7,0			
BSM2F 2E-MXPM 205-PCD	0,89x2	1x2	0,75x2	1x2	45,1	40,9	38,5	35,8	34,4	29,4	25,6	21,3	16,7	11,9				
BSM2F 2E-MXPM 403-PCD	0,75x2	0,75x2	0,55x2	0,75x2	55,6	50,4	47,3	43,9	42,1	36,1	31,4	26,3	20,9	15,3				
BSM2F 2E-MXPM 404-PCD	1,05x2	1x2	0,75x2	1x2	34,0				30,1	27,9	26,2	24,2	22,0	19,6	17,5	13,8	10,2	
					44,9				39,5	36,9	34,7	32,2	29,4	26,3	23,5	18,9	14,4	

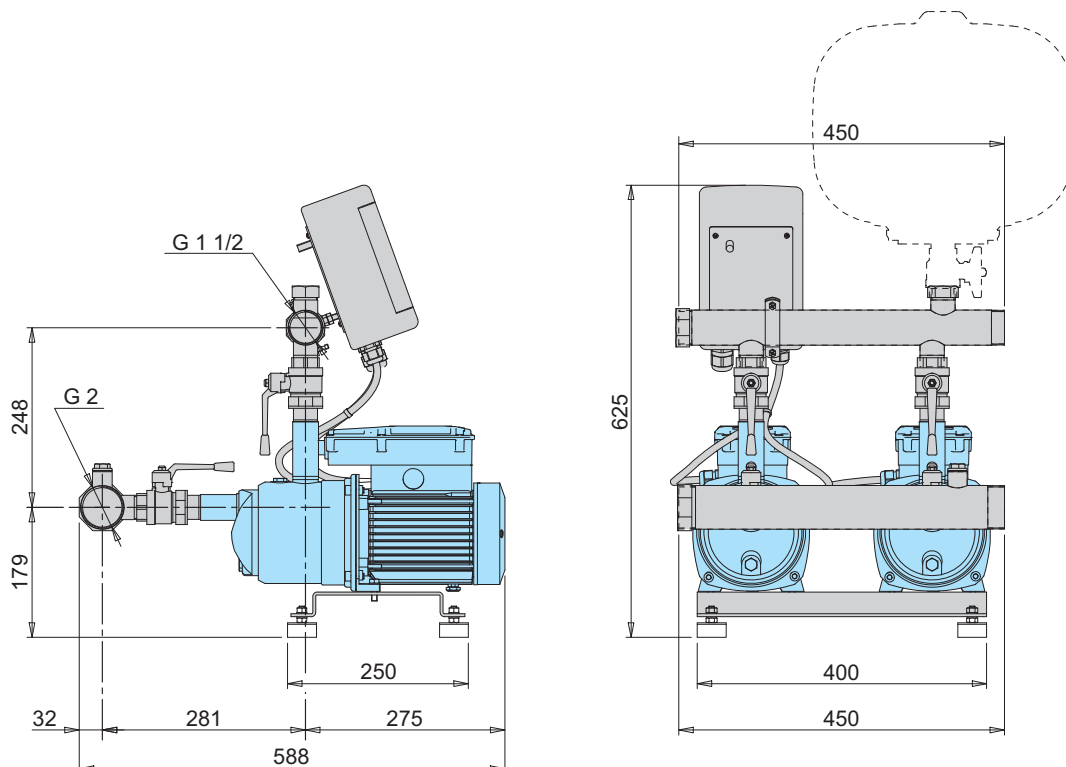
P<sub>1</sub> Max. power input.

P<sub>2</sub> Rated motor power output.

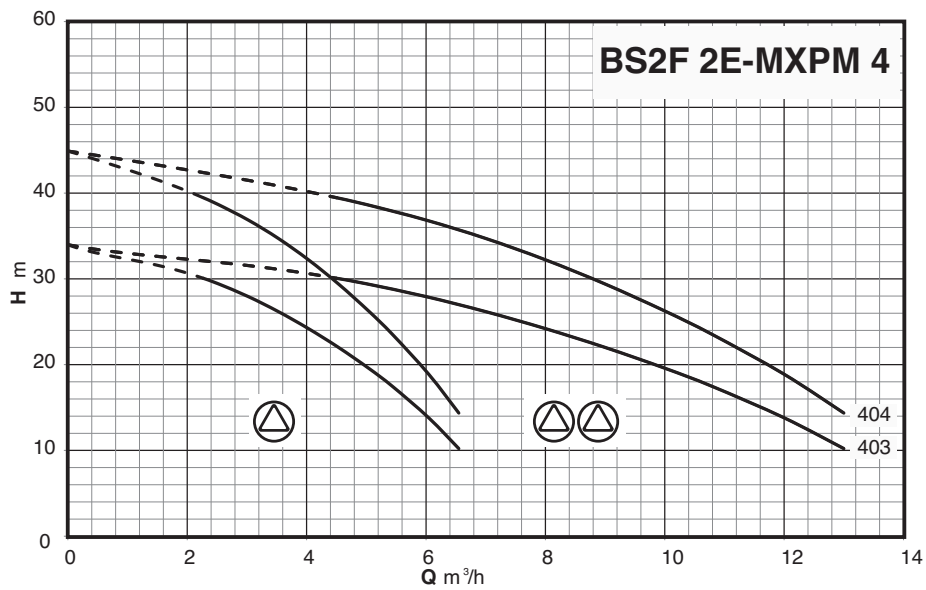
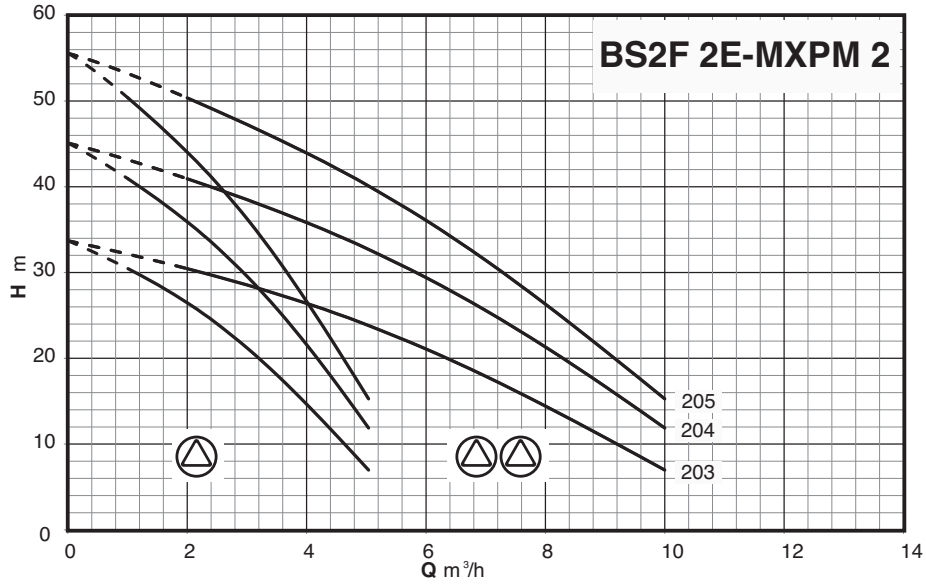
Test results with clean cold water, without gas content.  
Tolerances according to UNI EN ISO 9906:2012

+ 0,5 m security margin on NPSH-value is necessary.

### Dimensions and weights



Characteristic curves  $n \approx 2800$  1/min



# E-MPS

## Multi-stage submersible clean water pumps with integrated control



e-idos<sup>®</sup>  
products

### Construction

5" Close coupled multi-stage submersible pumps. Easy to install, compact and plug and play with integrated pressure transducer for automatic control of starting/stopping of the pump when utilization points are opened/closed with a integrated non-return valve.

External jacket in stainless steel AISI 304 and stages Noryl. E-MPSM with built-in capacitor, accessible through the delivery casing.

Hydraulics located below the motor with the motor cooled by the pumped fluid. Safe operation is possible with the motor only partially submerged.

Double shaft seal with oil chamber.

The suction strainer prevents the entrance of solids with diameter bigger than 2 mm.

### Applications

For water supply from wells, tanks or reservoirs.

For domestic, civil and industrial applications, for garden use, irrigation and rain water harvesting systems.

### Features

- high efficiency asynchronous single-phase motor
- capacitor less stressed in voltage
- uniform and lower motor temperature
- motor power control
- programmable re-start pressure
- programmable stop pressure
- no hydraulic losses due to the measuring devices
- voltage and current control
- monitoring of maximum starting current

### Protections

- dry-run protection
- overload control and overheating motor control
- pump blockage
- power supply control
- starts per hour control

### Operating conditions

Water temperature up to 35 °C.

Minimum internal diameter of well: 140 mm.

Minimum immersion depth: 100 mm.

Maximum immersion depth: 20 m (with suitable cable length).

Continuous duty.

### Motor

2-pole induction motor, 50 Hz (n ≈ 2800 rpm).

Single-phase 230 V ± 10%, with thermal protector.

Incorporated capacitor.

Cable: - Pump 07BB-F, 3G1+4x0,34 mm<sup>2</sup>, length 23 m.

- Power supply cable H07RN8-F, 3G1,5 length 1,5 m with plug CEI-UNEL 47166.

Insulation class F.

Protection IP X8 (for continuous immersion).

Triple impregnation humidity-proof dry winding.

Constructed in accordance with EN 60335-2-41.



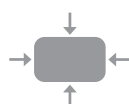
#### EASY TO INSTALL

Plug And Play solution



#### ECONOMIC SAVING

High efficiency asynchronous single-phase motor  
24 % less energy consumption compared to a standard pump



#### EASY TO USE

Equipped with a programmable software and, thanks to the analogic pressure sensor, the product allows to set the restart pressure. An ideal solution which allows to reduce or remove the need of a expansion tank

### Materials

Component	Material
Delivery casing External jacket Suction strainer Motor jacket	Chrome-nickel steel 1.4301 EN 10088 (AISI 304)
Non-return valve	POM - POLYACETAL
Stage casing Impeller	PPO-GF20 (Noryl)
Shaft	Chrome-nickel steel 1.4301 EN 10088 (AISI 304)
Capacitor cover Oil chamber cover Preload ring stages Support ring preload	PPS Polymer (Grivory)
Upper mechanical seal Lower mechanical seal	Steatite, carbon, NBR Carbon, silicon carbide, NBR
Seal lubrication oil	Oil for food machinery and pharmaceutic use



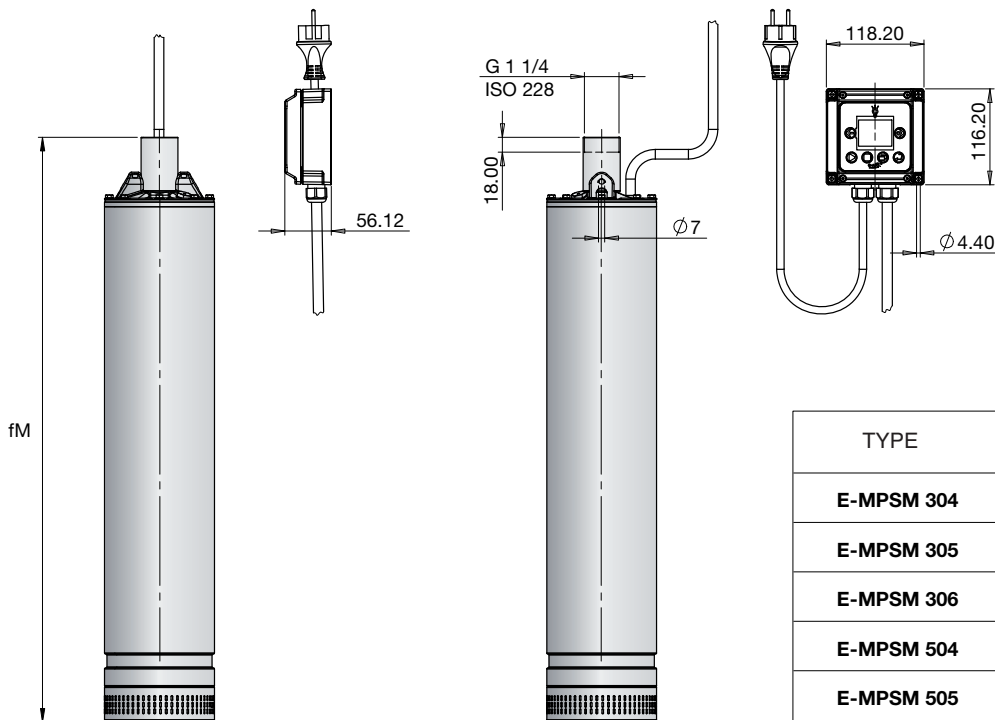
### Performance $n \approx 2800$ 1/min

1 ~	230 V			Capacitor		P <sub>1</sub>		P <sub>2</sub>		Q									
	A	$\mu$ F	V	kW	kW	HP	m <sup>3</sup> /h	l/min	0		1	1,5	2	2,5	3	3,5	4	4,5	
<b>E-MPSM 304</b>	3,5	25	450	0,8	0,55	0,75	44	40	37,5	35	31,5	28,5	24,5	21	16				
<b>E-MPSM 305</b>	4,4	30	450	1	0,75	1	56	50	47	44	40	36	32	26,5	21,5				
<b>E-MPSM 306</b>	5,2	35	450	1,2	0,9	1,2	66,5	60,5	57	53	48,5	43,5	38	32	26				

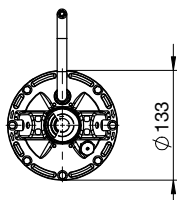
1 ~	230 V			Capacitor		P <sub>1</sub>		P <sub>2</sub>		Q										
	A	$\mu$ F	V	kW	kW	HP	m <sup>3</sup> /h	l/min	0		2,5	3	3,5	4	4,5	5	6	7	8	
<b>E-MPSM 504</b>	5,2	35	450	1,2	0,9	1,2	45	39,5	37,8	35,8	33,5	31	28	22	15,5	8				
<b>E-MPSM 505</b>	5,9	35	450	1,3	1,1	1,5	53	47,5	45,5	43	40	37	33	26	18	10				

P1 Max. power input. P2 Rated motor power output. Tolerances according to UNI EN ISO 9906:2012 Test results with clean cold water, without gas content.

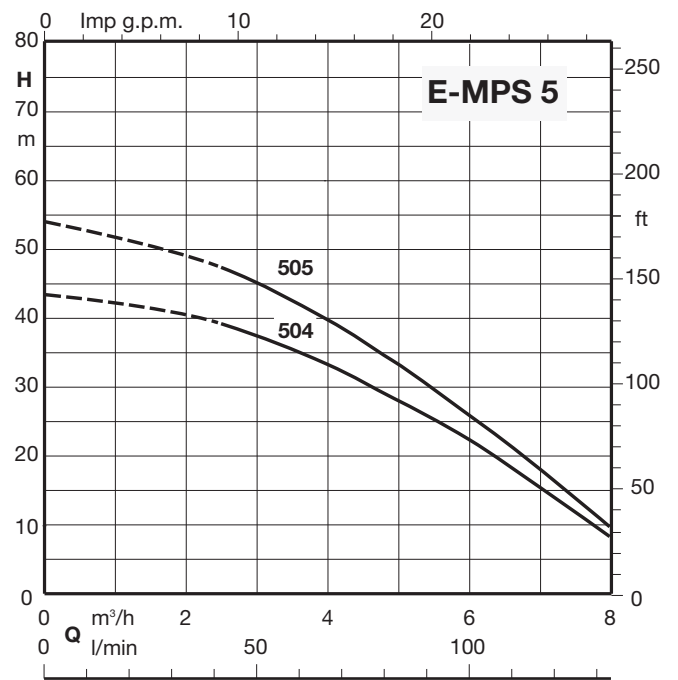
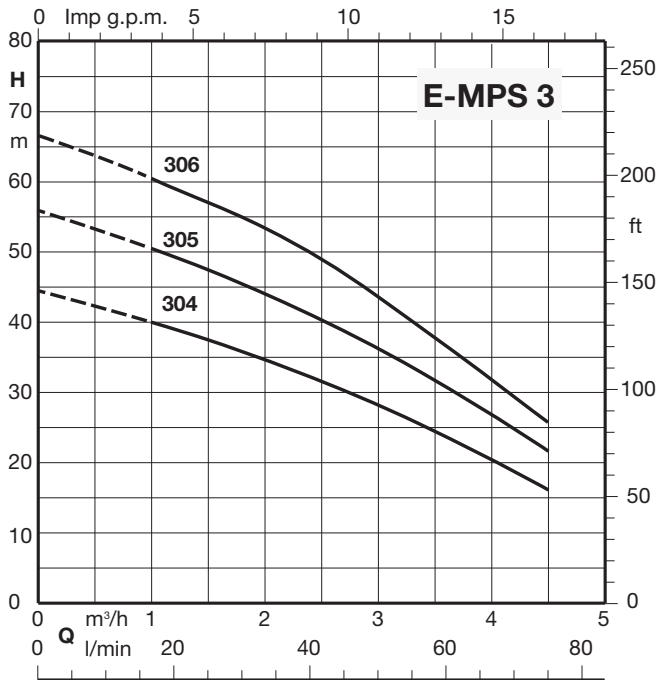
### Dimensions and weights



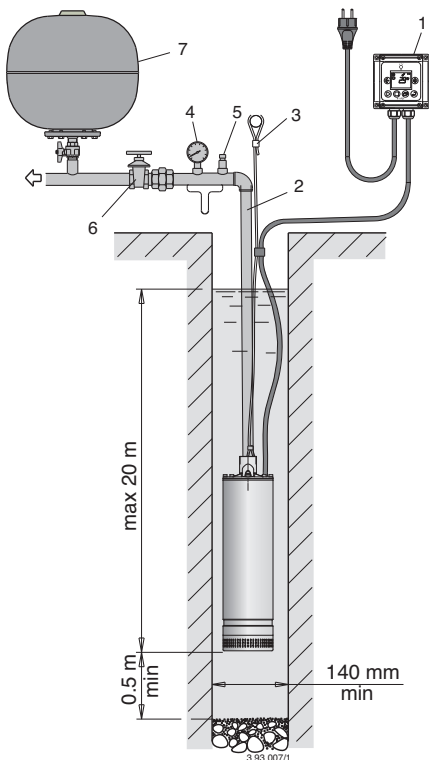
<sup>1)</sup> With cable length: 23 m



### Characteristic curves $n \approx 2800$ 1/min

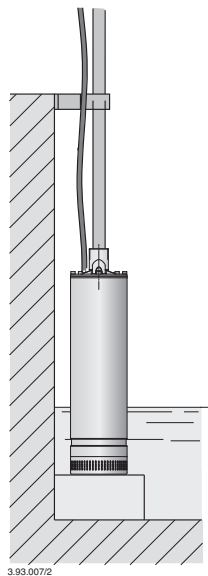


### Installation

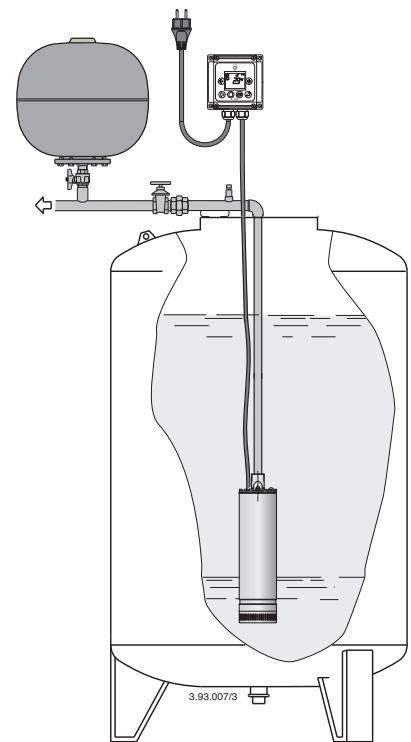


Pump in the suspended position

1. Control box
2. Delivery pipe
3. Safety rope
4. Pressure gauge
5. Air vent valve
6. Gate valve
7. Pressure tank



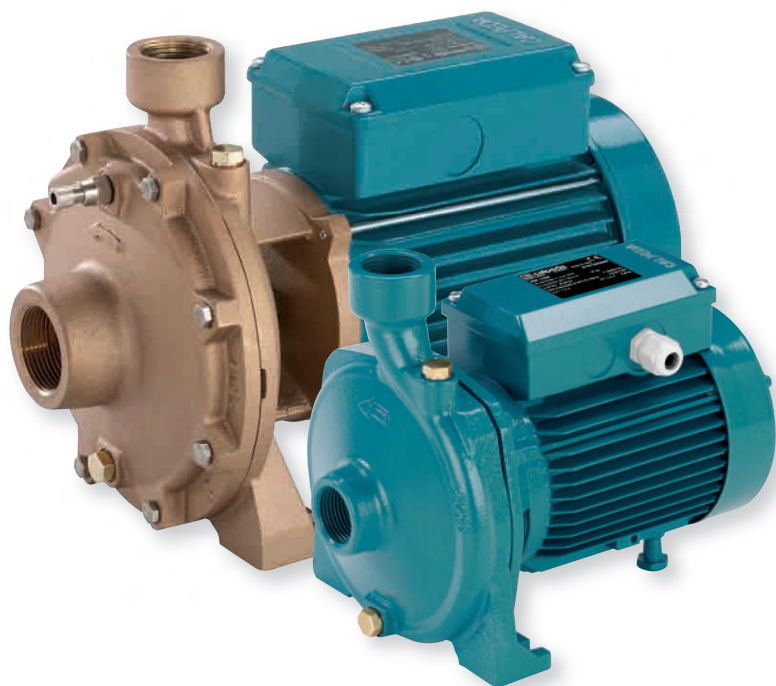
Pump in the standing position



Installation examples

# NM, NMD

## Close Coupled Centrifugal Pumps with threaded ports



### Construction

Close-coupled, centrifugal pumps; electric motor with extended shaft directly connected to the pump.

**NM:** single-impeller

**NMD:** with two back-to-back impellers (with axial thrust balancing).

**Connections:** threaded ports ISO 228/1 (BS 2779).

NM, NMD: version with pump casing and lantern bracket in cast iron.

B-NM, B-NMD: version with pump casing and lantern bracket in bronze (the pumps are supplied fully painted).

### Applications

For clean liquids without abrasives, which are non-aggressive for the pump materials (solids content up to 0.2%).

For water supply.

For heating, air-conditioning, cooling and circulation plants.

For civil and industrial applications.

For fire fighting applications. For irrigation.

### Operating conditions

Liquid temperature from -10 °C to +90 °C.

Ambient temperature up to 40° C.

Total suction lift up to 7 m.

Maximum permissible working pressure up to 10 bar

(16 bar for pumps NMD 25/190; NMD 32/210; NMD 40/180).

Continuous duty.

### Motor

2-pole induction motor, 50 Hz (n ≈ 2900 rpm).

**NM, NMD:** three-phase 230/400 V ± 10% up to 3 kW;  
400/690 V ± 10% from 4 to 9,2 kW;

**NMM, NMDM:** single-phase 230 V ± 10%, with thermal protector. Insulation class F. Protection IP 54.

Motor suitable for operation with frequency converter from 1,1 kW.

**Classification scheme IE3 for three-phase motors from 0,75 kW.**

Constructed in accordance with EN 60034-1; EN 60034-30-1. EN 60335-1, EN 60335-2-41.

### Special features on request

- Other voltages. - Frequency 60 Hz (as per 60 Hz data sheet).

- Protection IP 55. - Special mechanical seal

- Higher or lower liquid or ambient temperatures.

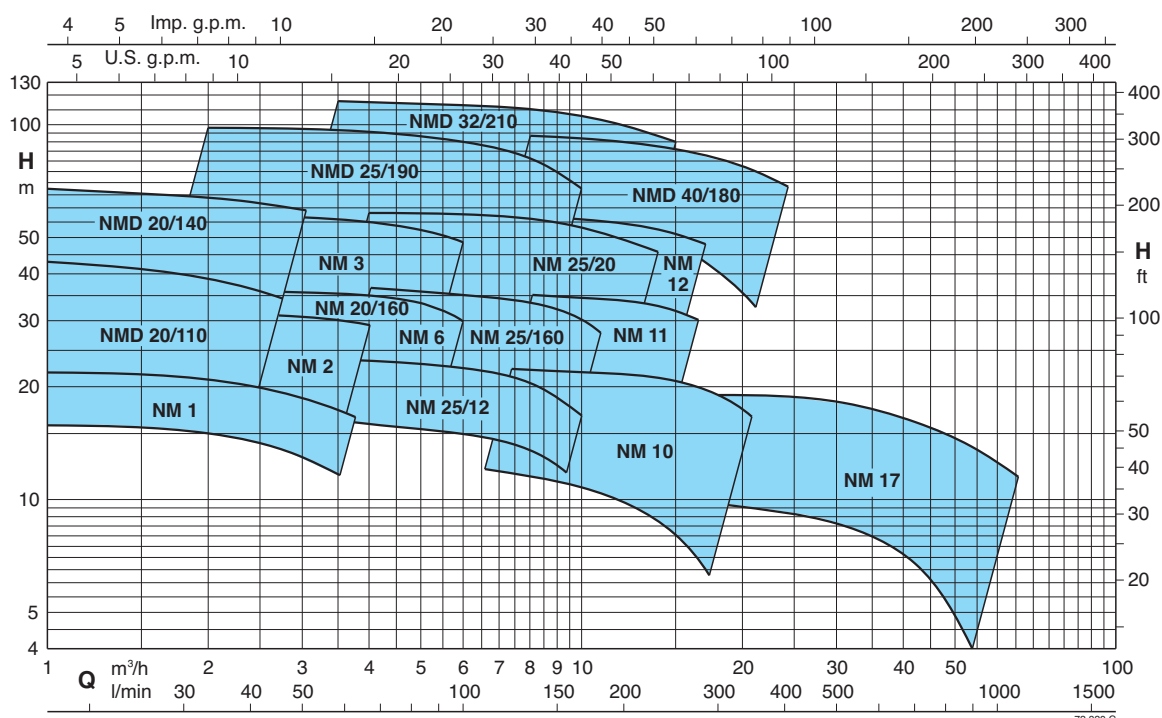
- Motor suitable for operation with frequency converter up to 0,75 kW.

The electropumps NM, B-NM series comply with the European Regulation no. 547/2012.

### Materials

Components	NM, NMD	B-NM, B-NMD
Pump casing	Cast iron	Bronze
Lantern bracket	GJL 200 EN 1561	G-Cu Sn 10 EN 1982
Impeller	Brass P- Cu Zn 40 Pb 2 UNI 5705	
NM 17	Cast iron GJL 200 EN 1561	Bronze G-Cu Sn 10 EN 1982
Shaft	Cr steel AISI 430 Cr Ni steel AISI 303 1,1 -1,5 - 2,2 kW	Cr Ni Mo steel AISI 316
NM 6	Cr steel AISI 430	
Mechanical seal	Carbon - Ceramic - NBR	

### Coverage chart n ≈ 2900 rpm



### Performance n ≈ 2900 rpm

	NM	P <sub>2</sub>		Q m <sup>3</sup> /h	Q														
		kW	HP		l/min														
				1	1,2	1,5	1,89	2,4	3	3,6	4,2	4,8	5,4	6	6,6	7,5	8,4		
				l/min	16	20	25	31,5	40	50	60	70	80	90	100	110	125	140	
	NM 1/AE●	0,37	0,5	H m	22	21,6	21,3	20,9	20,3	19,4	18,1	16,3							
	NM 2/B/A●	0,55	0,75		27	26,5	26	25,5	25	24	23	22	20						
	NM 2/S/A●	0,55	0,75		31	30,5	30	29	27,5	25,5	23,5	20	16						
	NM 2/A/B●	0,75	1		33,5	33	32,5	32	31,5	30,5	29,5	28,5	27	26	24				
	NM 6/B●	0,75	1					30,5	30	29,5	28,5	27,5	26,5	25,5	24	22	18		
	NM 6/A●	1,1	1,5					35,5	35,2	34,7	34	33	32	30,5	29	27	23,5	19*	
	NMM 3/CE	1,1	1,5			37,5	37,5	37	36,5	36	35	34	32						
	NM 3/C/A	1,1	1,5			37,5	37,5	37	36,5	36	35	34	32	30,5	28,5				
	NMM 3/BE	1,5	2			42	42	41,5	41	40,5	40	39	37	35	32				
	NM 3/B/A	1,5	2			47	47	46,5	46	45,5	45	44	43	41,5	40	37,5	33	26	
	NMM 3/A/A	1,8	2,5			47,5	47,5	47	46,5	46	45,5	44,5	43,5	42	40,5	38	33,5	26,5	
	NM 3/A/B	2,2	3			56	55,5	55,5	55	54,5	53,5	52,5	51,5	50	48	46	42	36	

B-NM B-NMD	NM NMD	P <sub>2</sub>		Q m <sup>3</sup> /h	Q													
		kW	HP		l/min													
				1	1,2	1,5	1,89	2,4	3	3,6	4,2	4,8	5,4	6	6,6	7,5	8,4	
				l/min	16	20	25	31,5	40	50	60	70	80	90	100	110	125	140
B-NMD 20/110B/A●	NMD 20/110B/A●	0,45	0,6	H m	33	32	31	29	26,5	23	18							
B-NMD 20/110Z/A●	NMD 20/110Z/A●	0,55	0,75		37	36	35	33	30,5	27,5	23	18						
B-NMD 20/110A/B●	NMD 20/110A/B●	0,75	1		43	42	40,5	39	36,5	33	29	25						
B-NMDM 20/140BE	NMDM 20/140BE	1,1	1,5		52	51,5	51	50	48,5	47	45							
B-NMD 20/140B/A	NMD 20/140B/A	1,1	1,5		53	52,5	52	51	50	48	46	43,5	40					
B-NMDM 20/140AE	NMDM 20/140AE	1,5	2		57,5	57	56,5	55,5	54	51,5	49	46	43	40	36			
B-NMD 20/140A/A	NMD 20/140A/A	1,5	2		67	66,5	66	64,5	63	61,5	59	57	53,5	50	46			
B-NM 20/160BE●	NM 20/160BE●	0,75	1					30,5	30	29,5	28,5	27,5	26,5	25,5	24	22		
B-NM 20/160A/A●	NM 20/160A/A●	1,1	1,5					36	35,5	35	34,5	33,5	32	30,5	29	27		

B-NM B-NMD	NM NMD	P <sub>2</sub>		Q m <sup>3</sup> /h	Q														
		kW	HP		l/min														
				2,4	3	3,6	4,8	6	6,6	7,5	8,4	9,6	10,8	12	13,2	15	16,8	18	
				l/min	40	50	60	80	100	110	125	140	160	180	200	220	250	280	300
B-NM 25/12B/A●	NM 25/12B/A●	0,55	0,75	H m	20	19,9	19,8	19,3	18,5	18	17,3	16,3	15	13,2	11				
B-NM 25/12A/B●	NM 25/12A/B●	0,75	1		23,5	23,4	23,3	22,9	22,1	21,7	20,9	20	18,7	17,1	15,2				
B-NM 25/160B/A●	NM 25/160B/A●	1,1	1,5			31	30,7	30	28,5	28	27	26	23						
B-NM 25/160A/A●	NM 25/160A/A●	1,5	2			36,5	36,2	35,5	34,5	34	33,5	32,5	31	28,5	26				
B-NM 25/200B/C	NM 25/20B/C	2,2	3			42,2	41,9	41,4	40,7	40,2	39,7	39	37,9	36,7	35,2	33,4			
B-NM 25/200A/B	NM 25/20A/B	3	4			49,9	49,8	49,4	48,9	48,5	48,1	47,5	46,6	45,6	44,4	43	40,8	37,9	
B-NM 25/200S/C	NM 25/20S/C	4	5,5			57,4	57,3	57	56,8	56,5	56,2	55,8	55,1	54,3	53,2	52	49,9	47,2	44,9
B-NMD 25/190C/B	NMD 25/190C/B	2,2	3		62	60,5	59	55,5	51	48,5	44	38							
B-NMD 25/190B/A	NMD 25/190B/A	3	4		76	75	74	70	66	64	60	54	46						
B-NMD 25/190A/B	NMD 25/190A/B	4	5,5		98	97	96	93,5	90	88	84	79	70						

	NM	P <sub>2</sub>		Q m <sup>3</sup> /h	Q														
		kW	HP		l/min														
				6,6	7,5	8,4	9,6	10,8	12	13,2	15	16,8	18,9	21	24	27	30		
				l/min	110	125	140	160	180	200	220	250	280	315	350	400	450	500	
	NM 10/FE●	0,55	0,75	H m	12,5	12,5	12	11,5	11	10	9	7,5							
	NM 10/DE●	0,75	1		18	18	17,5	17	16,5	16	15,5	14							
	NM 10/A/A●	1,1	1,5		23	23	22,5	22	21,5	21	20,5	19							
	NM 10/S/A●	1,5	2		23,5	23,5	23	22,5	22	21,5	21	20,5	19	18,5	16,5	13			
	NMM 11/BE	1,5	2		26,5	25,5	25	24	23	22,5	21,5	19,5	17,5						
	NM 11/B/A	1,5	2		29,5	29,5	29	28,5	27,5	27	26	25*	22,5*						
	NMM 11/A	1,8	2,5		30,2	30,1	29,8	29,4	28,8	28,1	27,4	26	24,5						
	NM 11/A/B	2,2	3		35,5	35,5	35	34,5	34	33,5	33	32*	30*						
	NM 12/D/B	2,2	3		38	37,5	37	36	35	33,5	32								
	NM 12/C/A	3	4		45	44,5	44	43,5	42,5	41	40	38	36						
	NM 12/A/B	4	5,5		57,5	57	56	55,5	55	54,5	53,5	51,5	49						

### Performance n ≈ 2900 rpm

B-NMD	NMD	P <sub>2</sub>		Q m <sup>3</sup> /h l/min	5,4	6	6,6	7,5	8,4	9,6	10,8	12	13,2	15	16,8	18,9	21	24
		kW	HP		90	100	110	125	140	160	180	200	220	250	280	315	350	400
B-NMD 32/210D/B	NMD 32/210D/B	4	5,5	H m	71	69	67,5	65	62,5	58	53	46	37*					
B-NMD 32/210C/A	NMD 32/210C/A	5,5	7,5		84	83	82	81	79	76	73	69	64*	54*				
B-NMD 32/210B/A	NMD 32/210B/A	7,5	10		104	103	102	100	98	95	92	88	84*	76*				
B-NMD 32/210A/B	NMD 32/210A/B	9,2	12,5		114	113	112	110	108	105	103	99	96*	90*				
B-NMD 40/180D/B	NMD 40/180D/B	4	5,5					60	59,5	57	56	53	51,5	48	44	39	34*	25*
B-NMD 40/180C/A	NMD 40/180C/A	5,5	7,5					69	68	67	66	64,5	63	60	57	53	48*	40*
B-NMD 40/180B/A	NMD 40/180B/A	7,5	10					87	86	85	84	82,5	81	78	75	71	66*	59*
B-NMD 40/180A/B	NMD 40/180A/B	9,2	12,5					94	93	92	91	89,5	88	85	82	78	74*	67*

B-NM	NM	P <sub>2</sub>		Q m <sup>3</sup> /h l/min	21	24	27	30	33	37,8	42	48	54	60	66	75	84	96
		kW	HP		350	400	450	500	550	630	700	800	900	1000	1100	1250	1400	1600
B-NM 17/H/A ●	NM 17/H/A ●	1,1	1,5	H m	9,5	9,2	9	8,6	8,2	7,5	6,7	5,5	3,5*					
B-NM 17/G/A ●	NM 17/G/A ●	1,5	2		12	11,7	11,5	11,2	11	10,3	9,7	8,5	7*	4*				
B-NM 17/F/B	NM 17/F/B	2,2	3			16	16	15,5	15	14,5	14	13	11,5*	10*	8*			
B-NM 17/D/A	NM 17/D/A	3	4					18	18	17,5	17	16,5	15,5	14*	13*	11,5*		

NM, NMD Standard construction.  
B-NM, B-NMD Bronze construction.

P<sub>2</sub> Rated motor power output.  
H Total head in m.

● With single-phase motor = NMM - NMDM.  
\* Maximum suction lift 1-2 m.  
Tolerances according to UNI EN ISO 9906:2012

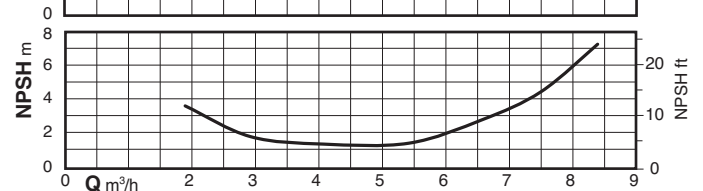
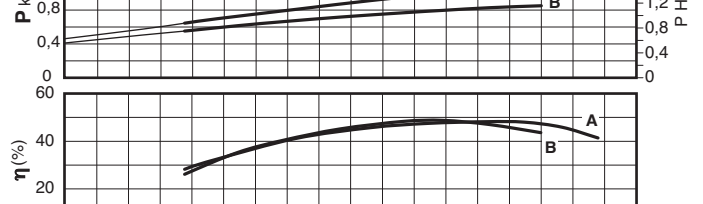
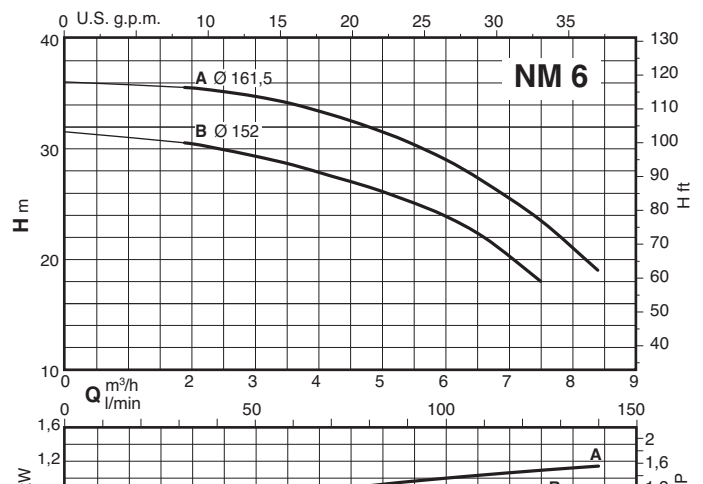
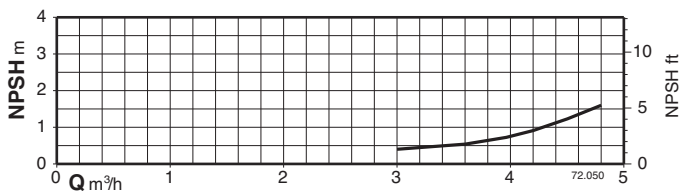
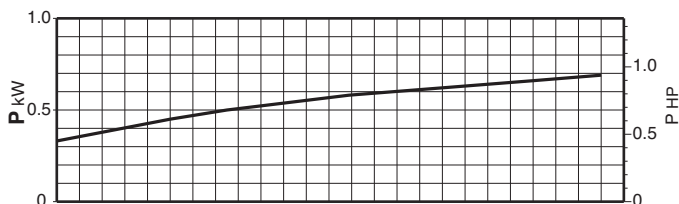
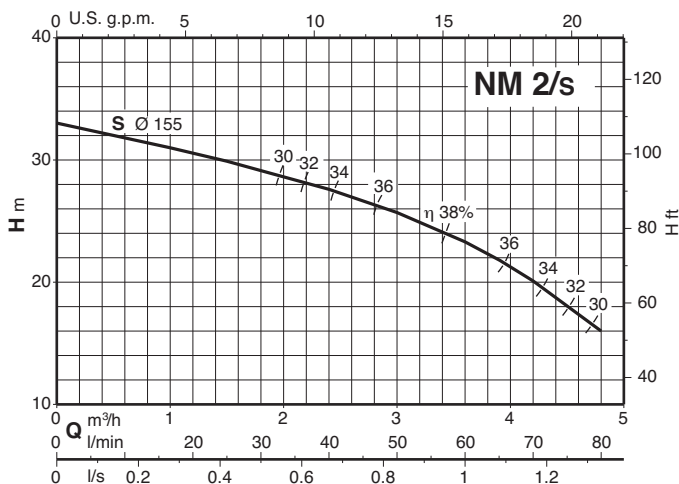
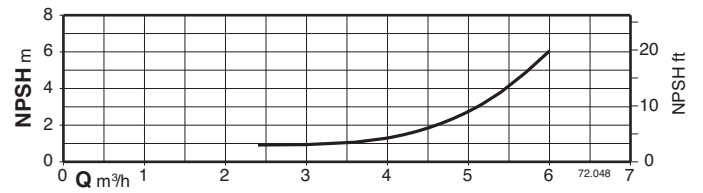
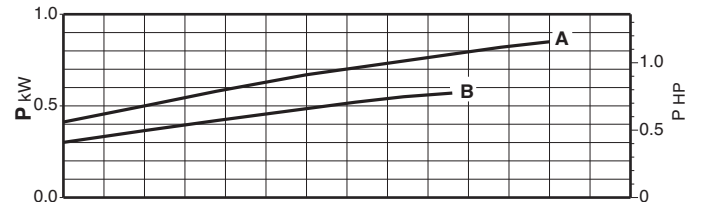
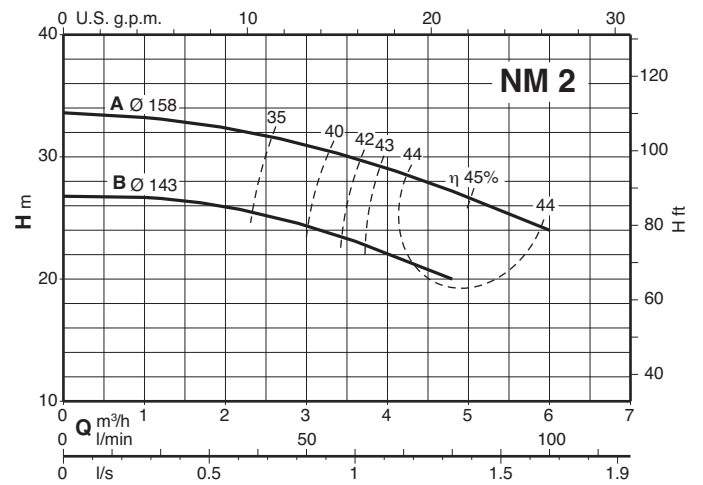
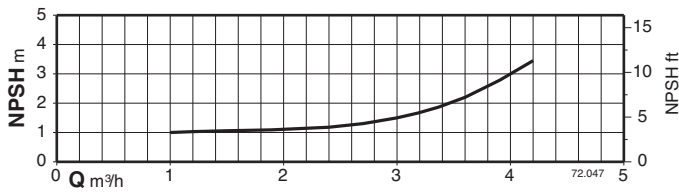
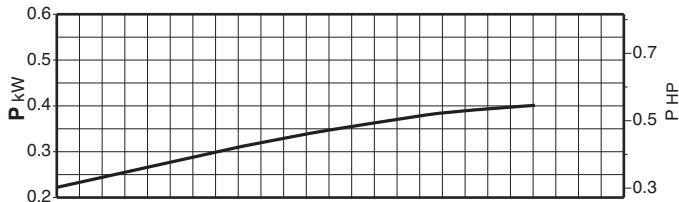
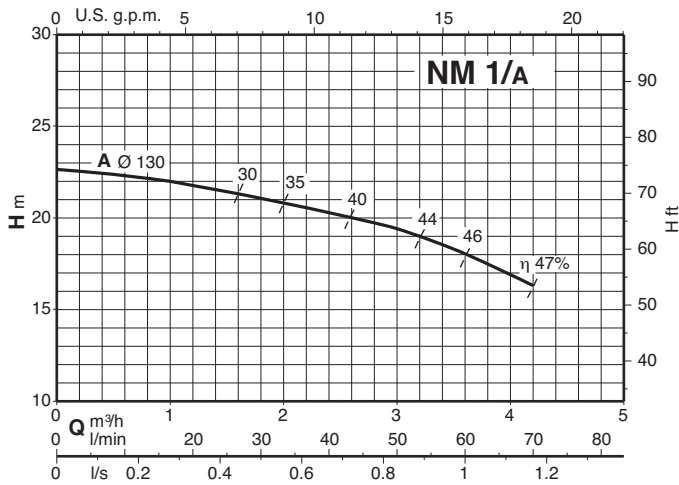
### Rated currents

	P <sub>1</sub>		P <sub>2</sub>		230 V 1~ IN A	IA/IN
	kW	kW	HP	HP		
	0,62	0,37	0,5	0,5	3	2,7
	0,72	0,45	0,6	0,6	3,6	2,9
	1	0,55	0,75	0,75	4,5	2,3
* NMM 25/12B/A	0,9	0,55	0,75	0,75	4,2	2,5
* NMM 10/FE	0,9	0,55	0,75	0,75	4,2	2,5
	1,3	0,75	1	1	6	3
* NMM 25/12A/A	1,2	0,75	1	1	5,4	3,3
* NMM 10/DE	1,2	0,75	1	1	5,8	2,6
	1,6	1,1	1,5	1,5	7,4	3
	2	1,5	2	2	9,2	3,8
	2,5	1,8	2,5	2,5	11,2	4,5

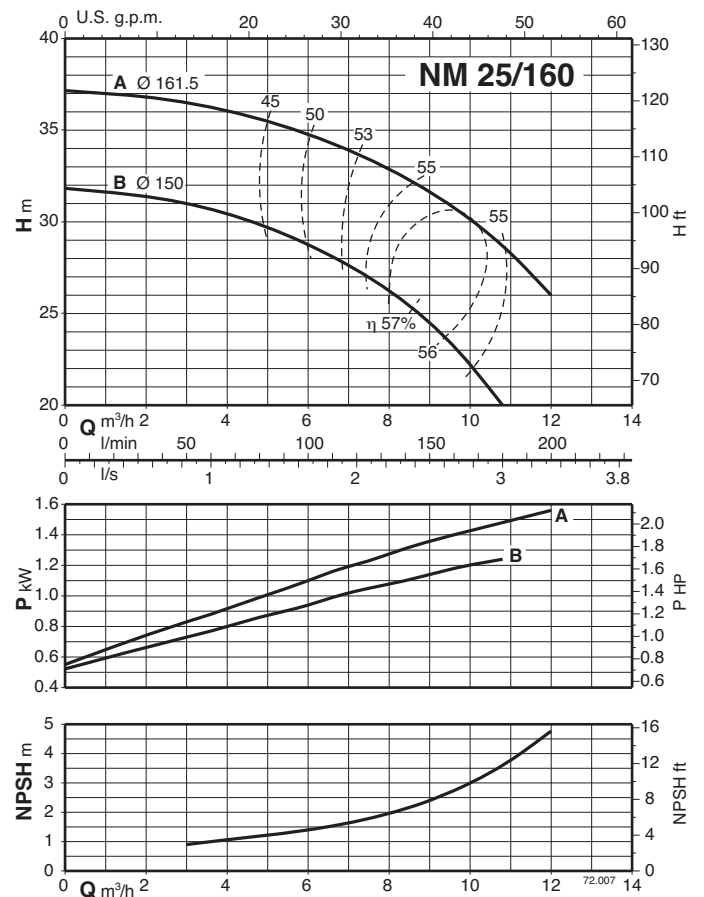
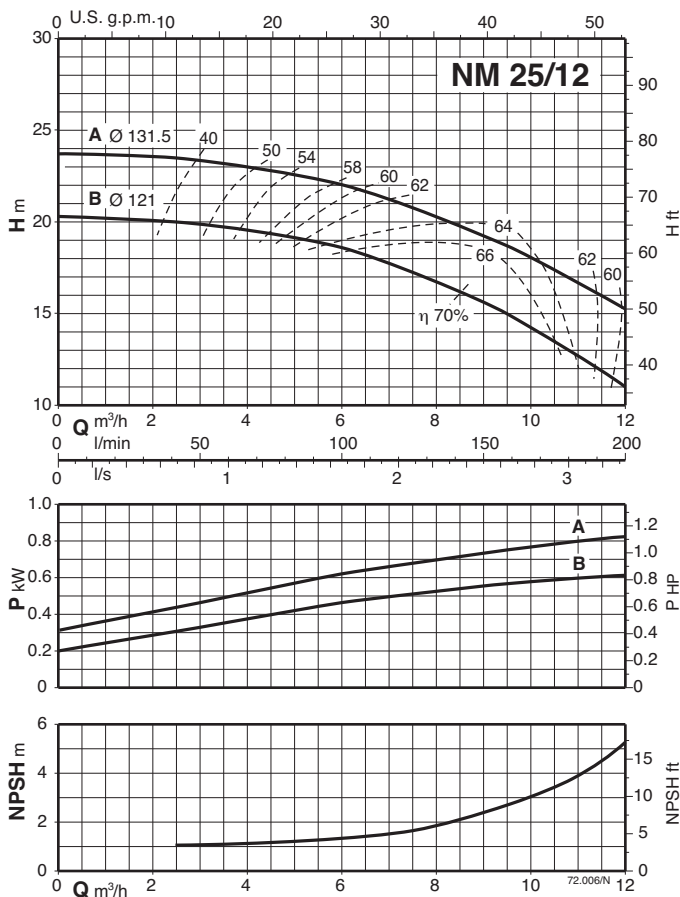
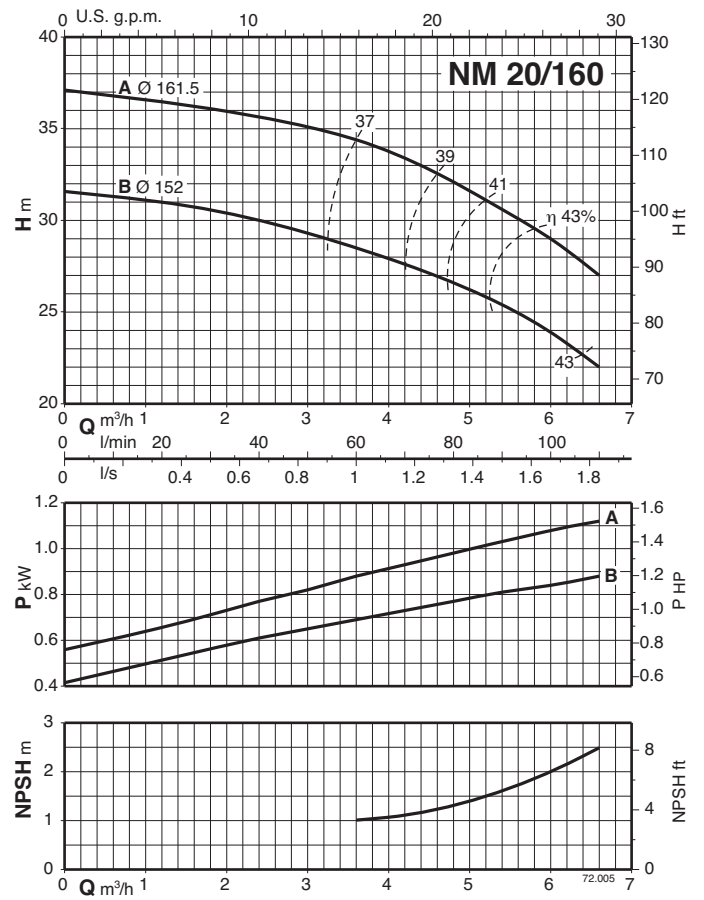
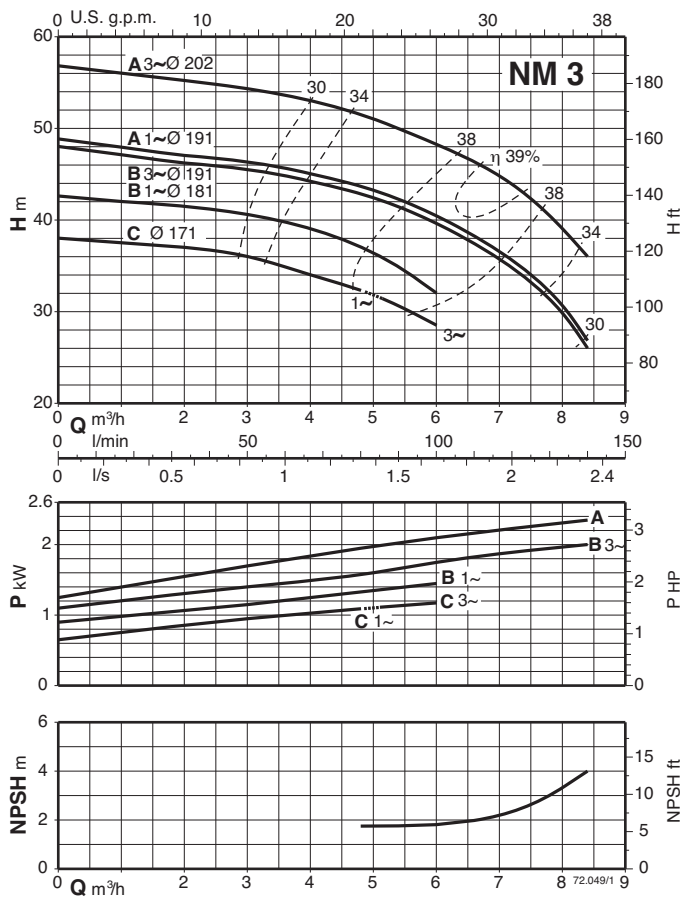
	P <sub>2</sub>		230 V Δ / 400 V Y 400 V Δ / 690 V Y			IA/IN
	kW	HP	IN A	IN A	IN A	
	0,37	0,5	2,3	1,3		3,8
	0,45	0,6	2,3	1,3		3,5
	0,55	0,75	3	1,7		3,6
* NM 25/12B/A	0,55	0,75	2,8	1,6		3,9
* NM 10/FE	0,55	0,75	4	2,3		4,8
	0,75	1	3,7	2,2		5,5
* NM 25/12A/B	0,75	1	3,5	2		6,1
* NM 10/DE	0,75	1	4	2,3		6,1
	1,1	1,5	4,6	2,7		5,5
	1,5	2	7,5	4,3		6,1
	2,2	3	9,15	5,3		8,4
	3	4	11,5	6,6		8,2
	4	5,5		9,6	5,5	8,9
	5,5	7,5		10,9	6,3	9,1
	7,5	10		14,3	8,3	9,1
	9,2	12,5		18,5	10,7	8,2

P<sub>1</sub> Maximum power input.  
P<sub>2</sub> Rated motor power output.  
IA/IN D.O.L. starting current / Nominal current

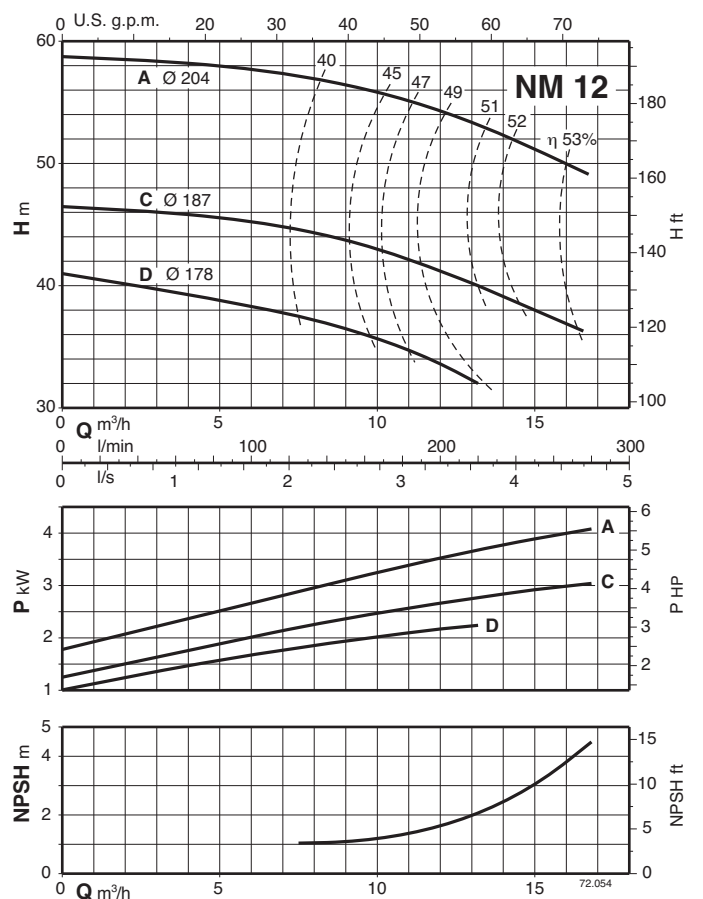
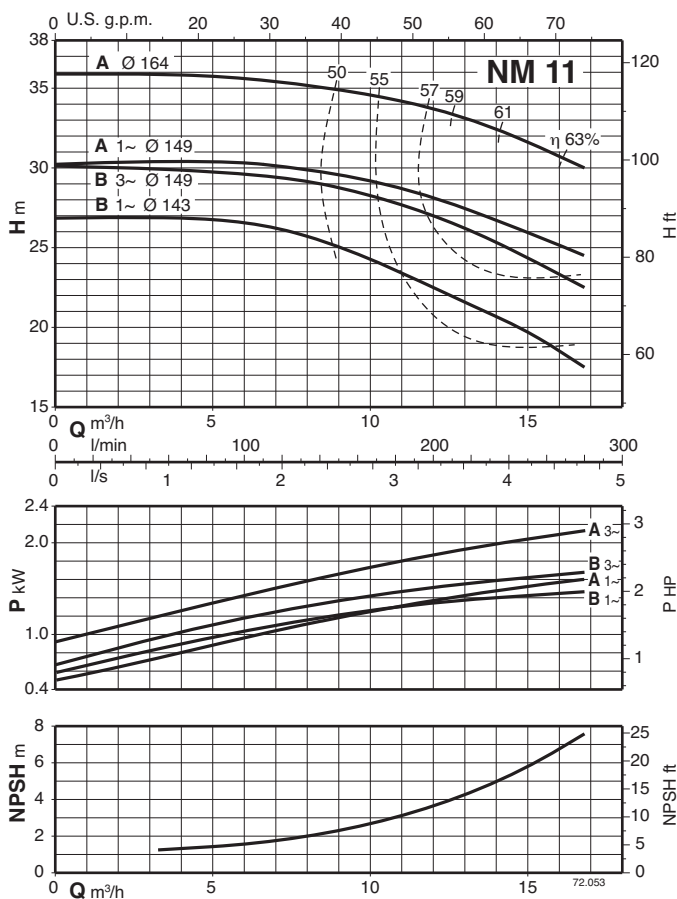
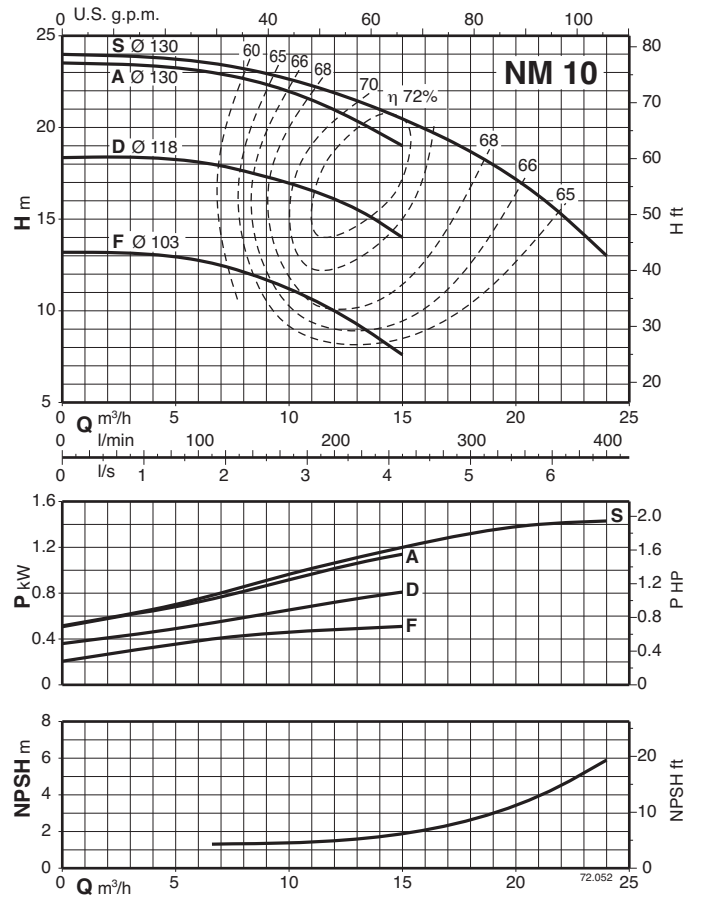
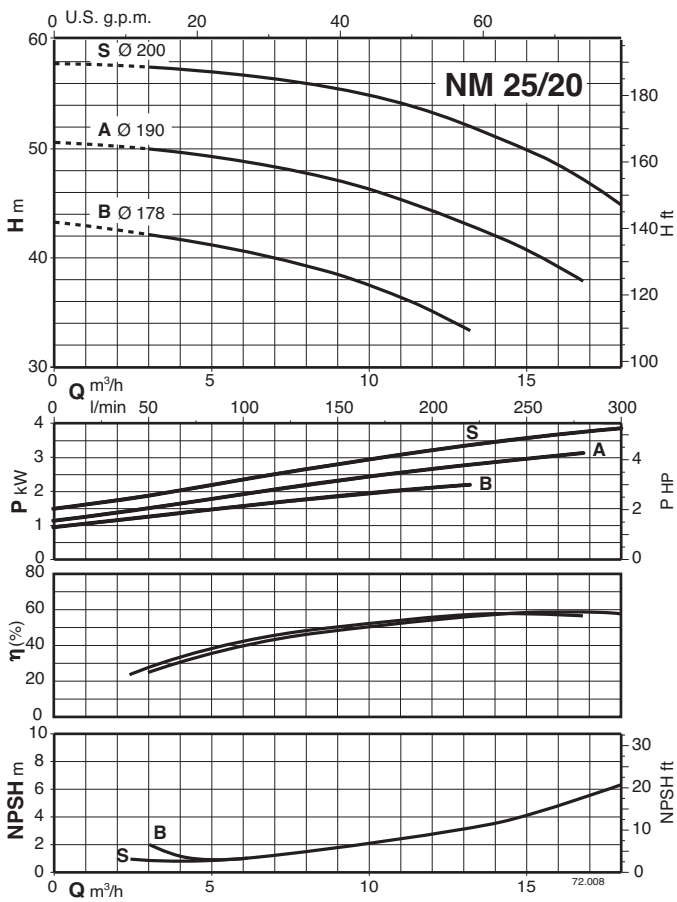
### Characteristic curves $n \approx 2900$ rpm



### Characteristic curves $n \approx 2900$ rpm

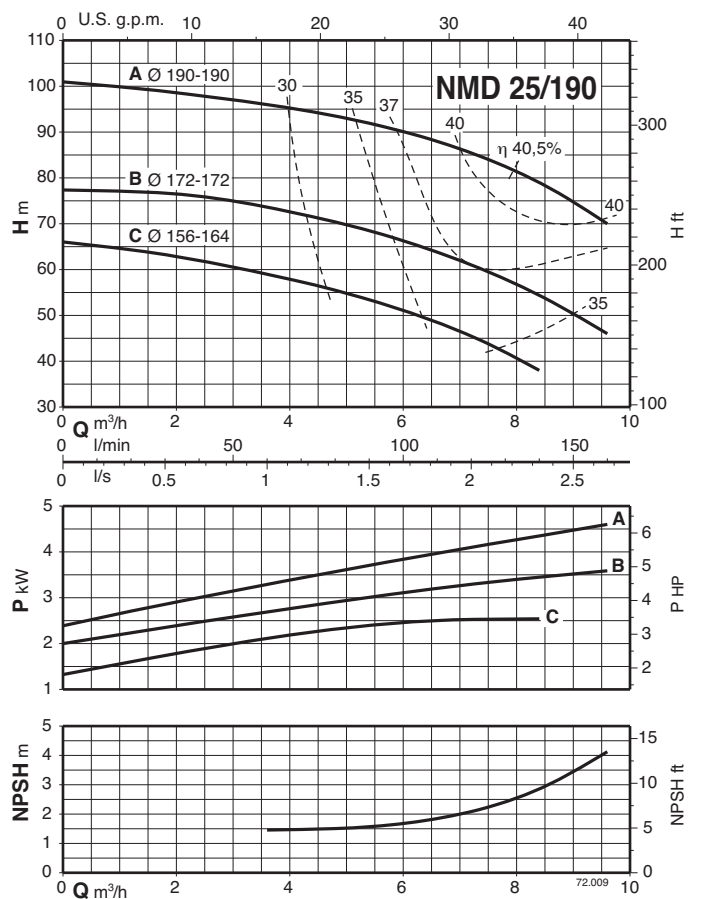
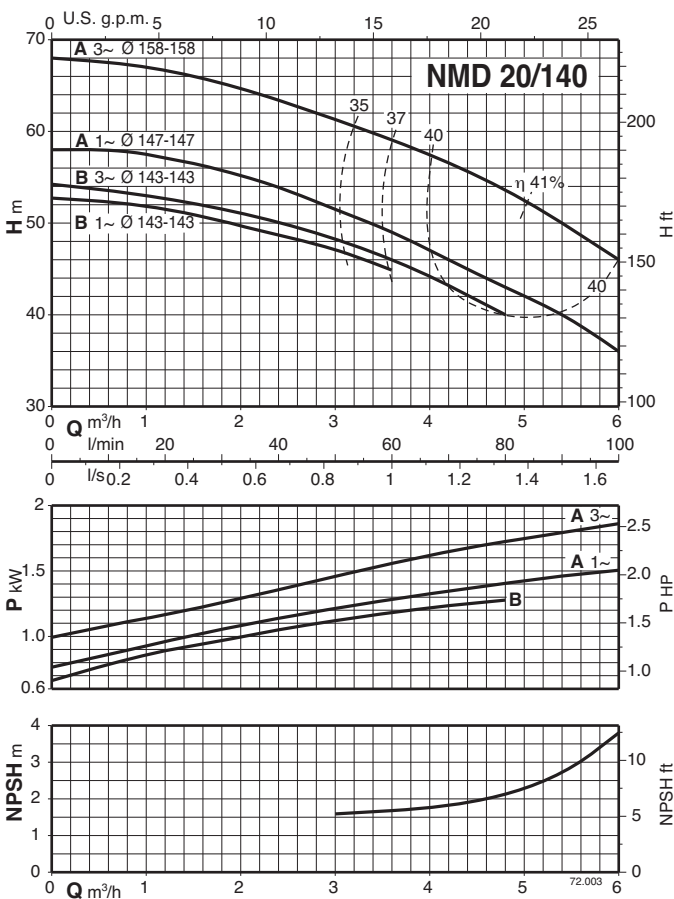
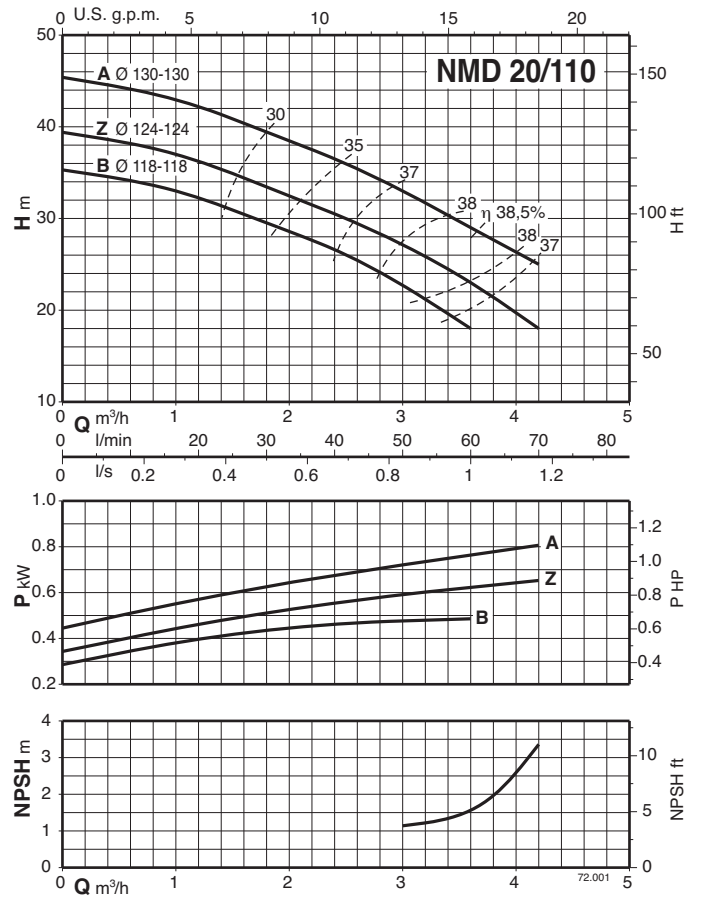
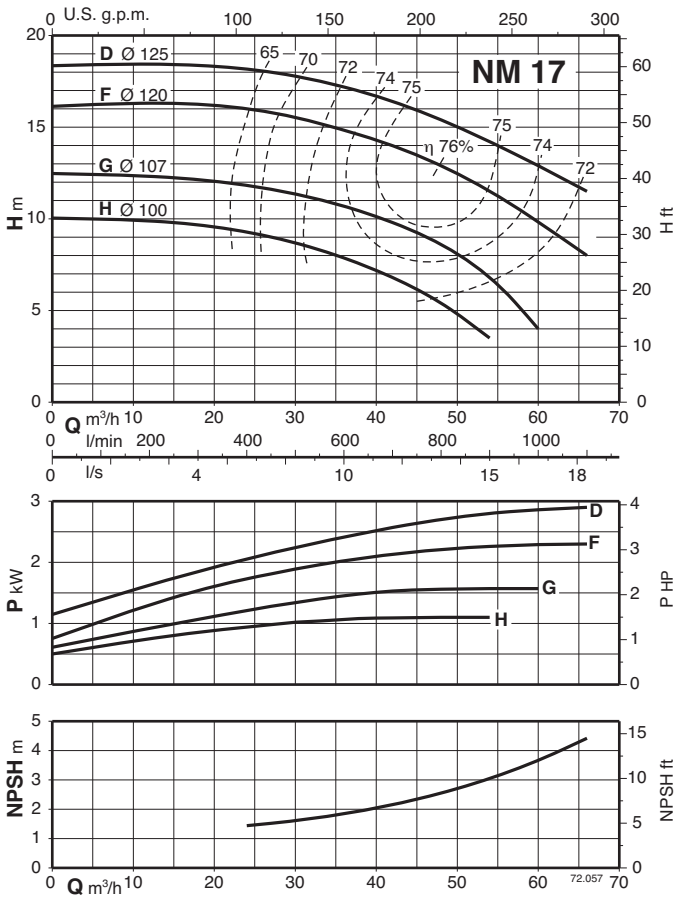


### Characteristic curves $n \approx 2900$ rpm

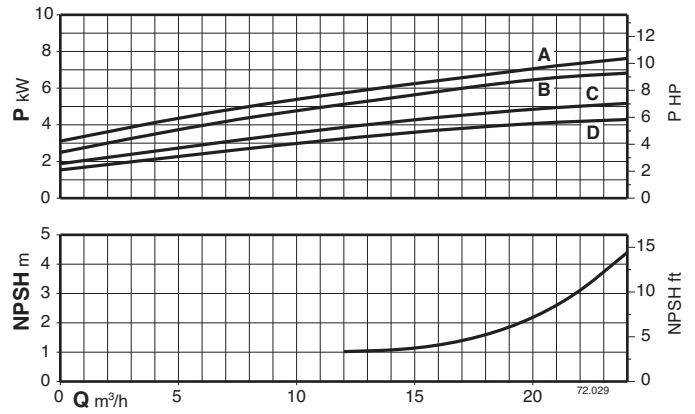
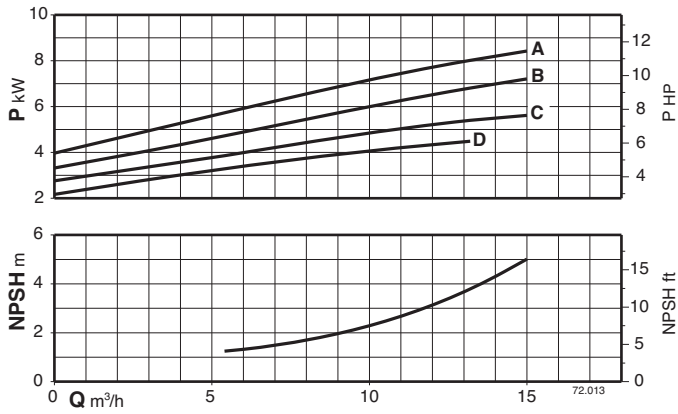
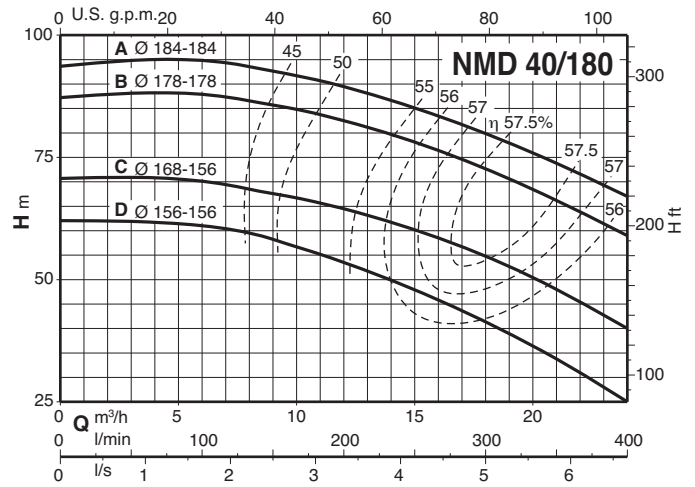
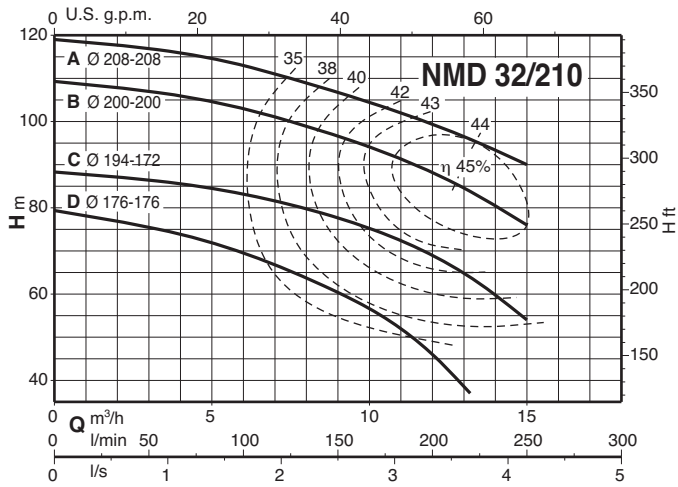




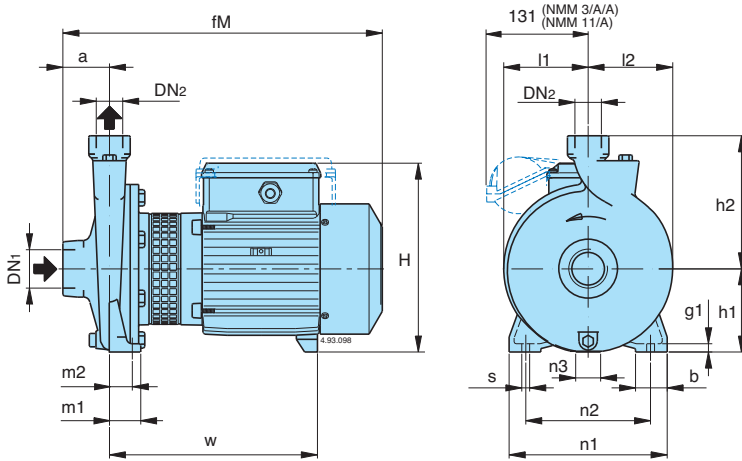
### Characteristic curves $n \approx 2900$ rpm



**Characteristic curves  $n \approx 2900$  rpm**



### Dimensions and weights

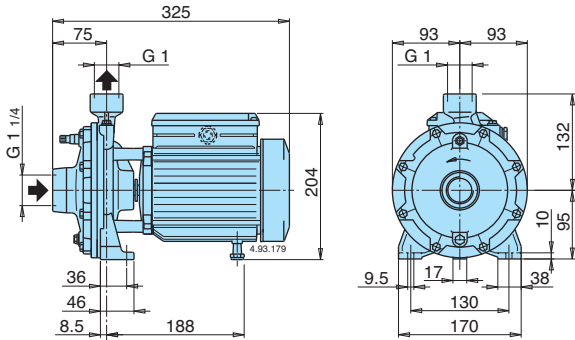


TYPE	NMM kg	NM kg	B-NM kg
NM 1/AE	8,7	8,6	
NM 2/B/A	14	13,1	
NM 2/S/A	14,2	13,3	
NM 2/A/B	15,1	15	
NM 6/B	17,8	17,6	
NM 6/A	19,3	19	
NM 3/C/A	24	22,9	
NM 3/B/A	26	25,1	
NM 3/A/B	30,4	29,1	
B- NM 20/160BE	19,9	18,4	21
B- NM 20/160A/A	20,7	19,7	22,5
B- NM 25/12B/A	13,2	12,3	13,5
B- NM 25/12A/B	14,2	14,1	15,3
B- NM 25/160B/A	20,4	19,7	22,8
B- NM 25/160A/A	22,5	21,5	24
NM 25/20B/C		31,6	
NM 25/20A/B		40,9	
NM 25/20S/C		42,2	
B- NM 25/200B/C			35,7
B- NM 25/200A/C			43,7
B- NM 25/200S/C			45,2
NM 10/FE	19,3	18,5	
NM 10/DE	19,4	18,8	
NM 10/A/A	20,2	19,3	
NM 10/S/A	22,1	21,5	
NM 11/B/A	24,7	24,1	
NM 11/A/B		28,1	
NM 12/D/B		33,5	
NM 12/C/A		42	
NM 12/A/B		43,5	
B- NM 17/H/A	23	22,2	29,2
B- NM 17/G/A	24,2	23,2	30,2
B- NM 17/F/B		28,2	35,2
B- NM 17/D/A		36,2	43,2

B-NM	NM	DN <sub>1</sub> ISO 228	DN <sub>2</sub> ISO 228	mm															
				a	fM	h1	h2	H	m1	m2	n1	n2	n3	b	s	l1	l2	w	g1
	NM 1/AE	G 1	G 1	40	261	80	132	176	40	32	170	140	17	35	9,5	77	81	171	10
	NM 2/A/B-S/A-B/A	G 1	G 1	45	305	95	150	207	40	32	190	160	17	35	9,5	87	90	203	10
	NM 6/A-B	G 1 1/4	G 1	53	349	100	150	213	37,5	27,5	190	150	17	38	9,5	102	102	225	10
	NM 3/B/A-C/A	G 1	G 1	50	375	112	180	240	55	43	245	205	37	45	11,5	110	113	244	12
	NM 3/A/B	G 1	G 1	50	415	112	180	240	55	43	245	205	37	45	11,5	110	113	284	12
	B- NM 20/160A/A-BE	G 1 1/4	G 3/4	53	375	100	150	228	37,5	27,5	190	150	30	38	9,5	102	102	246	10
	NM 20/160A/A-BE	G 1 1/4	G 3/4	53	375	100	150	228	37,5	27,5	190	150	30	38	9,5	102	102	246	10
	B- NM 25/12A/B-B/A	G 1 1/2	G 1	56	313	90	140	199	37,5	27,5	170	130	9	38	9,5	85	88	195	10
	NM 25/12A/B-B/A	G 1 1/2	G 1	56	313	90	140	199	37,5	27,5	170	130	9	38	9,5	85	88	195	10
	B- NM 25/160A/A-B/A	G 1 1/2	G 1	56	380	100	160	228	37,5	27,5	190	150	30	38	9,5	102	102	246	10
	NM 25/160A/A-B/A	G 1 1/2	G 1	56	380	100	160	228	37,5	27,5	190	150	30	38	9,5	102	102	246	10
	NM 25/20B/C	G 1 1/2	G 1	63	433	125	180	253	45	32,5	245	200	49	45	11,5	125	125	291	11
	NM 25/20A/B-S/C	G 1 1/2	G 1	63	460	125	180	263	45	32,5	245	200	42	45	11,5	125	125	295	11
	B- NM 25/200B/C	G 1 1/2	G 1	63	445	125	180	253	45	32,5	245	200	49	45	11,5	125	125	303	11
	NM 25/200A/B-S/C	G 1 1/2	G 1	63	460	125	180	263	45	32,5	245	200	42	45	11,5	125	125	295	11
	NM 10/S/A-A/A-DE-FE	G 2	G 1 1/4	63	382	100	150	228	50	35	190	140	30	50	13	90	97	239	14
	NM 11/B/A	G 2	G 1 1/4	70	400	112	170	240	50	35	210	160	37	50	15	103	110	247	14
	NM 11/A/B	G 2	G 1 1/4	70	440	112	170	240	50	35	210	160	37	50	15	103	110	287	14
	NM 12/D/B	G 2	G 1 1/4	70	440	132	190	260	50	35	240	190	47	50	15	125	127	287	14
	NM 12/A/B-C/A	G 2	G 1 1/4	70	470	132	190	270	50	35	240	190	45	50	15	125	127	300	14
	B- NM 17/G/A-H/A	G 2 1/2	G 2 1/2	80	417	112	160	240	50	35	210	160	37	50	14	96	113	257	14
	NM 17/G/A-H/A	G 2 1/2	G 2 1/2	80	417	112	160	240	50	35	210	160	37	50	14	96	113	257	14
	B- NM 17/F/B	G 2 1/2	G 2 1/2	80	463	112	160	240	50	35	210	160	37	50	14	96	113	304	14
	NM 17/F/B	G 2 1/2	G 2 1/2	80	463	112	160	240	50	35	210	160	37	50	14	96	113	304	14
	B- NM 17/D/A	G 2 1/2	G 2 1/2	80	480	112	160	250	50	35	210	160	20	50	14	96	113	295	14
	NM 17/D/A	G 2 1/2	G 2 1/2	80	480	112	160	250	50	35	210	160	20	50	14	96	113	295	14

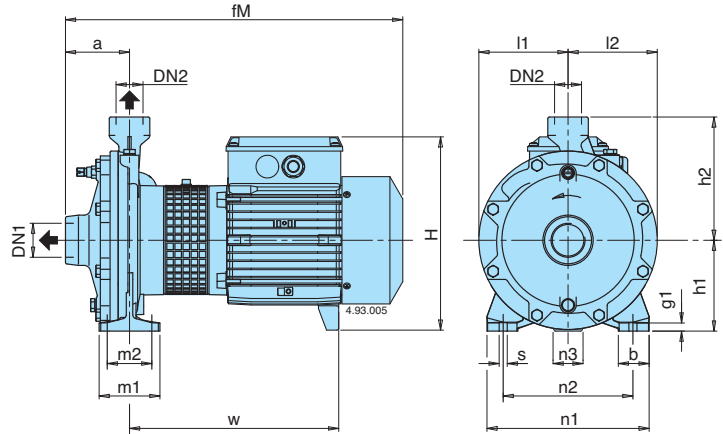
### Dimensions and weights

#### NMD 20/110



TYPE	NMDM kg	NMD kg	B-NMD kg
B- NMD 20/110B/A	13	12,1	13,4
B- NMD 20/110Z/A	14	13	14,2
B- NMD 20/110A/B	15,1	14,2	17,4

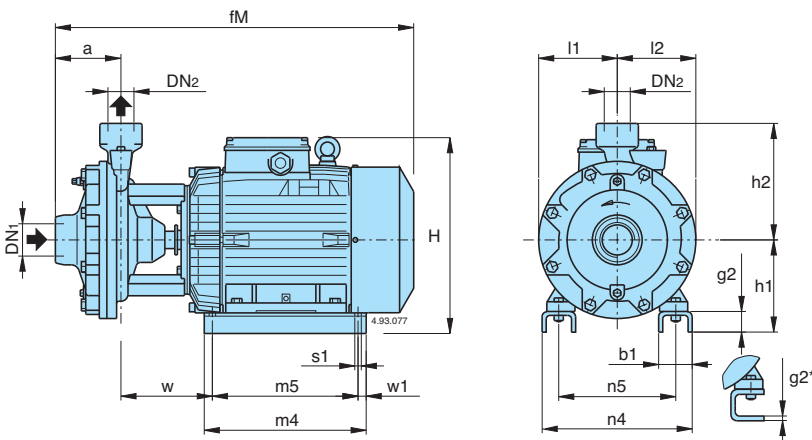
#### NMD 20/140 NMD 25/190



TYPE	NMDM kg	NMD kg	B-NMD kg
B- NMD 20/140B/A	23,9	22,7	25,2
B- NMD 20/140A/A	25,2	24,8	27,6
B- NMD 25/190C/B		42	45,7
B- NMD 25/190B/A		49,7	54
B- NMD 25/190A/B		51,5	55,5

B-NMD	NMD	DN1 ISO 228	DN2 ISO 228	mm															
				a	fM	h1	h2	H	m1	m2	n1	n2	n3	b	s	l1	l2	w	g1
B- NMD 20/140A/A-B/A	NMD 20/140A/A-B/A	G 1 1/4	G 1	80	417	112	152	243	75	55	200	160	37	38	9,5	110	110	256	10
B- NMD 25/190C/B	NMD 25/190C/B	G 1 1/2	G 1	97	487	140	180	268	100	70	240	190	50	50	14	133	133	314	13
B- NMD 25/190A/B-B/B	NMD 25/190A/B-B/A				500			278					49					306	

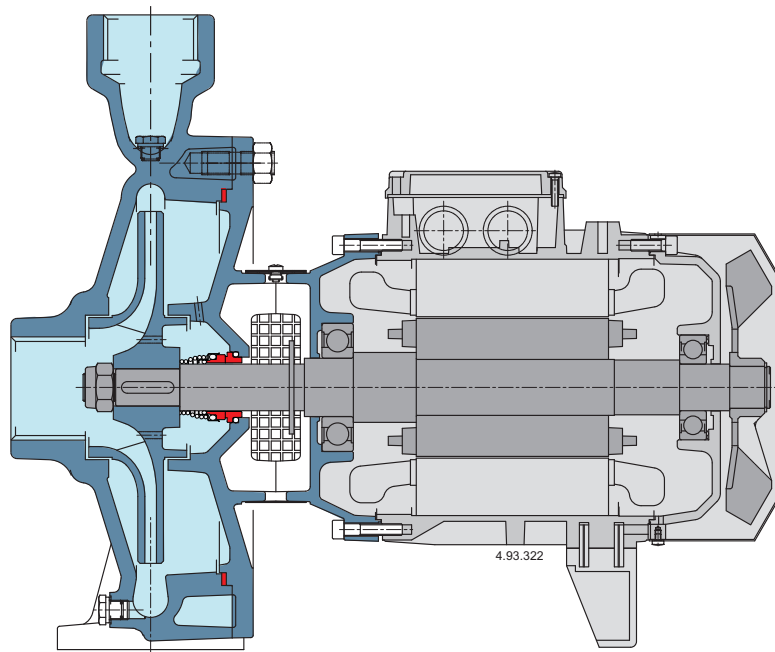
#### NMD 32/210 NMD 40/180



TYPE	NMD kg	B-NMD kg
B- NMD 32/210D/B	60,5	66,5
B- NMD 32/210C/A	71	77
B- NMD 32/210B/A	77	82,5
B- NMD 32/210A/B	99	105
B- NMD 40/180D/B	59,5	65,5
B- NMD 40/180C/A	70	76
B- NMD 40/180B/A	76	81,5
B- NMD 40/180A/B	97	102

B-NMD	NMD	DN1 ISO 228	DN2 ISO 228	mm															
				a	fM	h1	h2	H	m4	m5	n4	n5	w1	b1	s1	l1	l2	w	g2
B- NMD 32/210D/B	NMD 32/210D/B			110	530	155		293	205	175	194	140		54	10			139	6*
B- NMD 32/210B/A -C/A	NMD 32/210B/A -C/A	G 2	G 1 1/4	110	550	150	215	310	280	250	258	190	15	68	12	150	150	108	38
B- NMD 32/210A/B	NMD 32/210A/B				625	170		355	298	268	286	216		70	12			152	38
B- NMD 40/180D/B	NMD 40/180D/B				535	155		293	205	175	194	140		54	10			133	6*
B- NMD 40/180B/A -C/A	NMD 40/180B/A -C/A	G 2	G 1 1/2	121	555	150	215	310	280	250	258	190	15	68	12	145	145	102	38
B- NMD 40/180A/B	NMD 40/180A/B				630	170		355	298	268	286	216		70	12			145	38

### Features



#### **Compact Design**

The compact design allows for easy installation even in confined spaces.

#### **Robust**

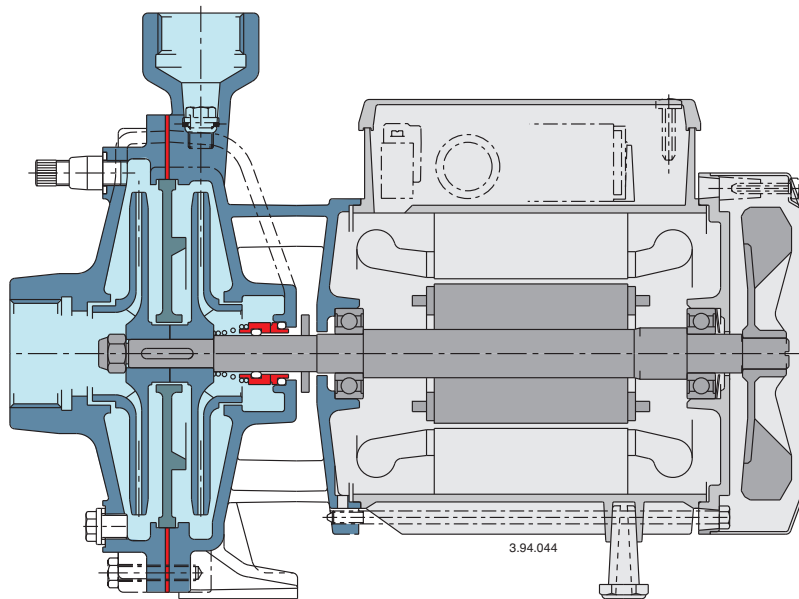
The mechanical structure of the hydraulic parts in contact with the pumped liquid are dimensioned to guarantee the maximum resistance to mechanical stress.

#### **A unique design**

The lantern bracket design prevents contact with the pumps rotating parts, providing protection to the end user whilst allowing for inspection of the mechanical seal.

#### **Reliable**

The bearing and shaft are designed to ensure the reduction of the stress, providing high reliability under all operating conditions.

**Features****Flexible**

The option to choose between cast iron and bronze materials for the hydraulic parts in contact with the pumped liquid allows NMD series pumps to be selected for use with different types of liquids.

**Robust**

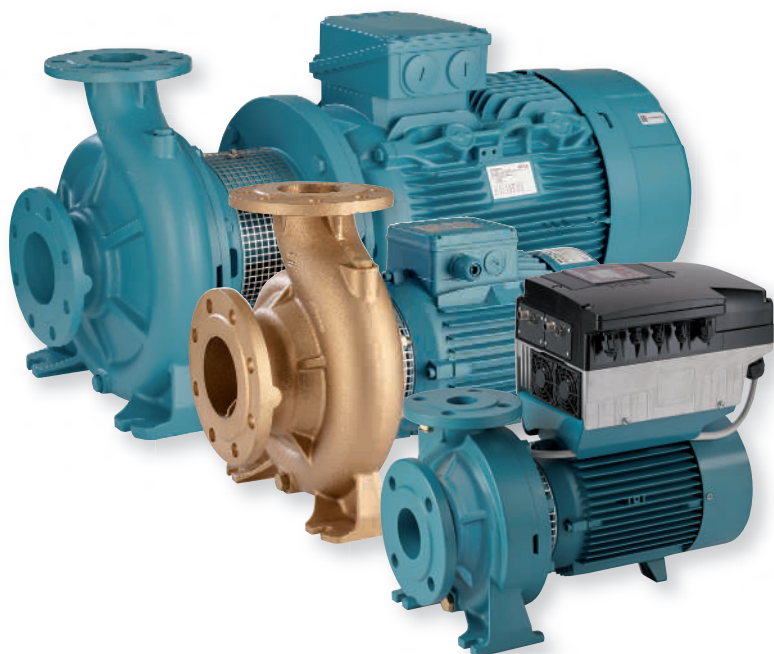
The mechanical structure of the hydraulic parts in contact with the pumped liquid are dimensioned to guarantee the maximum resistance to mechanical stress.

**Reliable**

The bearing and shaft are designed to ensure the reduction of the stress, providing high reliability under all operating conditions.

# NM, NMS

**Close Coupled Centrifugal Pumps with flanged connections**



The electropumps NM, B-NM, NMS, B-NMS series comply with the European Regulation no. 547/2012.

## Materials

Components	NM, NMS	B-NM, B-NMS
Pump casing Lantern bracket NM Casing cover for NMS	Cast iron GJL 200 EN 1561	Bronze G-Cu Sn 10 EN 1982
Lantern bracket NMS	Cast iron GJL 200 EN 1561	
Impeller	Cast iron GJL 200 EN 1561	Bronze G-Cu Sn 10 EN 1982
	Brass P- Cu Zn 40 Pb 2 UNI 5705 for 32/12, 32/16, 32/20, 32L/20, 40/20	
Shaft	Cr-Ni steel AISI 303	Cr Ni Mo steel
	AISI 430 from 3 kW to 22 kW	AISI 316
Mechanical seal	Carbon - Ceramic - NBR	
Counter-flanges	Steel Fe 430B UNI 7070	

## Construction

Close-coupled centrifugal pumps; electric motor with extended shaft directly connected to the pump up to 22 kW, new bracket construction for standard motors (stub-shaft construction) from 30 to 75 kW with integrated thrust bearing.

Pump casing with axial suction and radial delivery on top, main dimensions and performance according to EN 733.

NM(S): version with pump casing and lantern bracket in cast iron.  
B-NM(S): version with pump casing and lantern bracket/casing cover in bronze. (the pumps are supplied fully painted).

**Connections:** Flanges according to PN 10, EN 1092-2.

**Counter-flanges** (on request)

Sizes	Flanges
from NM 32/.. to NM 50/...	Screwed flanges EN 1092-1, PN 16
from NM 65/.. to NMS 100/...	Flanges for welding EN 1092-1, PN 10

**Version with frequency converter** (on request)

## Applications

For clean liquids without abrasives, which are non-aggressive for the pump materials (solids content up to 0,2%). For water supply.

For heating, air conditioning, cooling and circulation plants.

For civil and industrial applications.

For irrigation.

## Operating conditions

Liquid temperature from -10 °C to +90 °C.

Ambient temperature up to 40° C.

Total suction lift up to 7 m.

Maximum permissible working pressure up to 10 bar (16 bar for NM 32L/16,20; NM 40/16,20; NM 50/12,16; NM 65/12,16,20,25; NM 80/16,20,25; NM 100/20).

Continuous duty.

## Motor

2-pole induction motor, 50 Hz (n ≈ 2900 rpm).

**NM, NMS:** three-phase 230/400 V ± 10% up to 3 kW;  
400/690 V ± 10% from 4 to 75 kW.

Insulation class F. Protection IP 54 (IP 55 for NMS).

Motor suitable for operation with frequency converter from 1,1 kW.

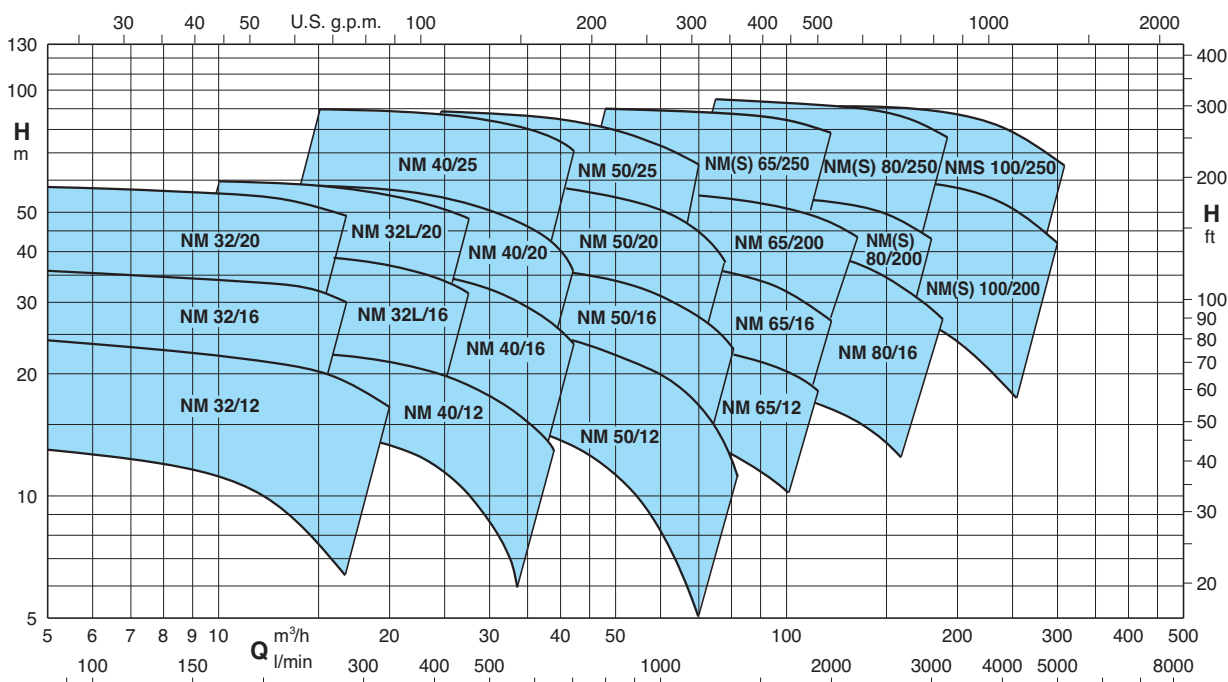
**Classification scheme IE3 for three-phase motors from 0,75 kW.**

Constructed in accordance with: EN 60034-1; EN 60034-30-1.

## Special features on request

- Other voltages.
- Frequency 60 Hz (as per 60 Hz data sheet).
- Protection IP 55.- Special mechanical seal.
- Packed gland (only for NM standard construction).
- Single-phase motor (NMM) up to 1,5 kW.
- Higher or lower liquid or ambient temperatures.
- Motor suitable for operation with frequency converter up to 0,75 kW.

## Coverage chart n ≈ 2900 rpm



### Pumps with frequency converter

The **NM EI** pumps are available with power from 0,55 kW up to 37 kW, the pumps are equipped with **I-MAT** installed on board which allows to realize a variable-speed system extremely compact and efficient, ideal in applications of water supply and in the distribution of hot and cold water.

The pump is equipped with transducers suitable for operation and is already programmed at the factory.

#### Advantages

- Energy saving
- Compact design
- Easy to use
- Programmable to suit the system requirements
- Reliability

#### Costruction

The system comprises of:

- Pump
- Induction motor
- I-MAT Frequency converter
- Motor adapter for the motor mounting of the frequency converter
- Connection cable between frequency converter and induction motor
- Transducers

#### Main features

- Rated motor power output from 0,55 kW to 37 kW
- Control range from 1750 to 2900 rpm (2-pole)
- Protection against dry running
- Protection against operations with closed valve ports
- Protection against system leakages
- Protection against overcurrent in the motor
- Protection against overvoltage and undervoltage of the power supply
- Protection against current unbalances between phases

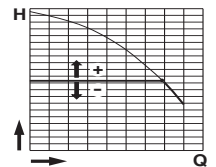


### Operating modes



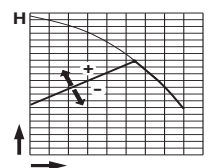
#### Constant pressure mode with pressure transducer

In this mode, the system maintains the preset pressure when the flow required by the installation changes.



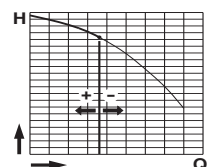
#### Proportional pressure mode with pressure transducer

In this mode the system changes the working pressure according to the required flow rate.



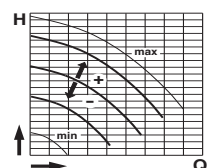
#### Constant flow mode with flow meter

In this mode the system maintains a constant flow rate value in a point of the installation according to the required pressure.



#### Fixed speed mode with setting of the speed preferential rotation.

In this mode, by changing the working frequency, you may choose any operational curve included within the working range.



#### Constant temperature mode with temperature transducer

In this mode the system keeps the temperature constant inside a system by changing the speed of the pump.



### Performance n ≈ 2900 rpm

B-NM	NM	P <sub>2</sub>		Q m³/h l/min	6,6	7,5	8,4	9,6	10,8	12	13,2	15	16,8	18,9	21	24	27	30
		kW	HP		H m													
					110	125	140	160	180	200	220	250	280	315	350	400	450	500
B-NM 32/12F	NM 32/12FE	0,55	0,75		12,5	12,5	12	11,5	11	10	9	7,5						
B-NM 32/12D	NM 32/12DE	0,75	1		18	18	17,5	17	16,5	16	15,5	14						
B-NM 32/12A/A	NM 32/12A/A	1,1	1,5		23	23	22,5	22	21,5	21	20,5	19						
B-NM 32/12S/A	NM 32/12S/A	1,5	2		23,5	23,5	23	22,5	22	21,5	21	20,5		18,5	16,5	13		
B-NM 32/16B/A	NM 32/16B/A	1,5	2		29,5	29,5	29	28,5	27,5	27	26	25*	22,5*					
B-NM 32/16A/B	NM 32/16A/B	2,2	3		35,5	35,5	35	34,5	34	33,5	33	32*	30*					
B-NM 32/20D/B	NM 32/20D/B	2,2	3		38	37,5	37	36	35	33,5	32							
B-NM 32/20C/A	NM 32/20C/A	3	4		45	44,5	44	43,5	42,5	41	40	38	36					
B-NM 32/20A/B	NM 32/20A/B	4	5,5		57,5	57	56	55,5	55	54,5	53,5	51,5	49					

B-NM	NM	P <sub>2</sub>		Q m³/h l/min	9,6	10,8	12	13,2	15	16,8	18,9	21	24	27	29	32	37,8	39
		kW	HP		H m													
					160	180	200	220	250	280	315	350	400	450	483	533	630	650
B-NM 32L/16C	NM 32L/16C	2,2	3		25,1	24,9	24,7	24,4	23,8	23	21,8	20,3	17,3	13,4				
B-NM 32L/16B	NM 32L/16B	3	4		30,4	30,3	30,2	30	29,6	29	28,1	26,8	24,2	20,8	17,9			
B-NM 32L/16A	NM 32L/16A	4	5,5		39,9	39,9	39,8	39,6	39,3	38,8	37,9	36,8	34,7	31,9	29,7	25,6		
B-NM 32L/20C	NM 32L/20C	4	5,5		42,1	41,8	41,5	41	40,2	38,9	37	34,5	29,7	23,8				
B-NM 32L/200B	NM 32L/20B	5,5	7,5		51,7	51,6	51,4	51,2	50,7	50	48,8	47	43,2	37,8	33,5			
B-NM 32L/200A	NM 32L/20A	7,5	10		59,4	59,4	59,4	59,4	59,2	58,8	58	56,6	53,4	48,6	44,6	37,7		

B-NM	NM	P <sub>2</sub>		Q m³/h l/min	15	16,8	18,9	21	24	27	30	33	37,8	39	42	45	48	54
		kW	HP		H m													
					250	280	315	350	400	450	500	550	630	650	700	750	800	900
B-NM 40/12F/A	NM 40/12F/B	1,1	1,5		14	13,5	13	12	11	9,5	8	6						
B-NM 40/12C/A	NM 40/12C/B	1,5	2		17,5	17	16,5	16	15	13,5	12	10,5	7,5	6,5				
B-NM 40/12A/B	NM 40/12A/C	2,2	3		22	22	21,5	21	20	19	18	16,5	14	13	11,5			
B-NM 40/16C/B	NM 40/16C/C	2,2	3		23	22,5	22	21,5	20	18,5	16,5	14,5	11	10				
B-NM 40/16B/A	NM 40/16B/B	3	4		29	28,8	28	27,5	26,5	25	23,5	21,5	18	17	14			
B-NM 40/16A/B	NM 40/16A/C	4	5,5		37	36,5	36,5	36	35	33,5	32	30,5	27	26	23,5	20	17	
B-NM 40/20D/B	NM 40/20D/B	4	5,5		39	38	37	35,5	33,5	30,5	27	22,5	14					
B-NM 40/20C/B	NM 40/20C/B	4	5,5		41,5	40,5	39,5	38	36	33,5								
B-NM 40/200B/A	NM 40/20B/A	5,5	7,5		50	49,5	48,5	47,5	45,5	43,5	41,5	37,5	30,5					
B-NM 40/200AR/A	NM 40/20AR/A	5,5	7,5		55	54,5	54	53	51	49								
B-NM 40/200A/A	NM 40/20A/A	7,5	10		57,5	57	56,5	55,5	54,5	52,5	50,5	48	42,5	40,5	35			
B-NM 4025/C/C	NM 40/25C/C	9,2	12,5		61	61	60,5	59,5	58,5	56,5	53,5	49,5	41,5	40	33,5			
B-NM 4025/B/C	NM 40/25B/C	11	15		69,5	69,5	69	68,5	67	65,5	63,5	60,5	53,5	51	45			
B-NM 4025A/C	NM 40/25A/C	15	20		90	90	89,5	89	88,5	87	85	83	77,5	76	70,5			

B-NM	NM	P <sub>2</sub>		Q m³/h l/min	24	27	30	33	37,8	42	48	54	60	66	69	72	75	78	81	84
		kW	HP		H m															
					400	450	500	550	630	700	800	900	1000	1100	1150	1200	1250	1300	1350	1400
B-NM 50/12F/B	NM 50/12F/C	2,2	3				15,5	15	14	13,5	12	10	8	6						
B-NM 50/12D/A	NM 50/12D/B	3	4				20	19,5	18,5	18	16,5	14,5	13	10,5	9	8				
B-NM 50/12A/B	NM 50/12A/C	4	5,5				24	24	23	22,5	21	19,5	17,5	15	14	12,5	11,5	10		
B-NM 50/12S/B	NM 50/12S/C	4	5,5				26,5	26	25,5	24,5	23,5	22	20	18	16,5	15,5	14	13	11	
B-NM 50/160B/B	NM 50/16B/B	5,5	7,5				31	30,5	29,5	28	26	24	21,5	19	17,5	15,5	13,5	11,5	9,5	
B-NM 50/160A/B	NM 50/16A/B	7,5	10					38,5	38	37,5	36,5	34,5	32,5	30	27	25,5	24	22,5	20,5	19
B-NM 50/200B/C	NM 50/20B/C	9,2	12,5		48	47,5	47,5	47	45,5	44,5	42,5	40	37	33	30,5	28	25,5	23		
B-NM 50/200A/C	NM 50/20A/C	11	15		55	55	54,5	54,5	53,5	52	50	48	45	41,5	39,5	37	35	32,5		
B-NM 50/200S/C	NM 50/20S/C	15	20		60	60	59,5	59,5	58,5	57,5	55,5	53,5	50,5	47	45	43	40,5	37		
B-NM 5025/C/C	NM 50/25C/C	11	15		55	54,5	54	53	51,5	49,5	46	41,5	35,5	28,5	24,5					
B-NM 5025/B/C	NM 50/25B/C	15	20		69	68,5	68	67,5	66	64	61	57	52,5	46,5	43					
B-NM 50/25A	NM 50/25A/D	18,5	25		80,5	80,5	80	79,5	78,5	77	74,5	71,5	67	61,5	58,5					
B-NM 50/25S	NM 50/25S	22	30		88,5	88,5	88	87	86	84	81,5	78,5	75	71	68,5					

### Performance n ≈ 2900 rpm

B-NM - B-NMS	NM - NMS	P <sub>2</sub>		Q m <sup>3</sup> /h l/min	37,8	42	48	54	60	66	75	84	96	108	120	132	141	150
		kW	HP		630	700	800	900	1000	1100	1250	1400	1600	1800	2000	2200	2350	2500
					H m													
B-NM 65/12E/A	NM 65/12E/C	4	5,5	16,5	16,4	16,2	15,9	15,5	15,1	14,3	13,2	11,4	9,2					
B-NM 65/125C/B	NM 65/12C/B	5,5	7,5	21,1	21	20,8	20,6	20,3	19,9	19,1	18,2	16,5	14,4	11,8				
B-NM 65/125A/B	NM 65/12A/B	7,5	10	25,9	25,8	25,6	25,4	25,1	24,8	24,1	23,3	21,9	20	17,6				
B-NM 65/160D/B	NM 65/16D/B	7,5	10			24,3	24,1	23,9	23,6	23,1	22,3	20,8	18,8	16,3				
B-NM 65/160C/C	NM 65/16C/C	9,2	12,5			28,1	28,0	27,8	27,6	27,1	26,3	24,9	23,1	20,7	17,7			
B-NM 65/160B/C	NM 65/16B/C	11	15			32,6	32,5	32,3	32	31,5	30,8	29,5	27,9	25,7	23,0			
B-NM 65/160AR	NM 65/16AR	15	20			36,4	36,3	36,2	35,9	35,5	34,8	33,7	32,1	30,0	27,5			
B-NM 65/160A/C	NM 65/16A/C	15	20			40,5	40,4	40,2	40	39,5	38,8	37,6	36,1	34,2	31,7			
B-NM 65/200C/C	NM 65/20C/C	15	20			44	43,8	43,5	43,1	42,3	41,2	39,4	37,1	34,4	31,4	28,8		
B-NMS 65/200B	NM 65/20B/D	18,5	25			50,5	50,4	50,2	49,9	49,2	48,3	46,8	44,8	42,5	39,8	37,5		
B-NMS 65/200A	NM 65/20A/A	22	30			57	57	57	56,5	56	55,5	54	52,5	50	47,5	45,5		
B-NM 65/250C/B	NM 65/25C/A	22	30			61	61	60,5	60	58,5	57	54,5	51,5	47,5	43			
B-NMS 65/250B/A	NMS 65/250B/A	30	40			73,5	73,5	73,5	73,5	73	71,5	69,5	66,5	63	59			
B-NMS 65/250A/B	NMS 65/250A/B	37	50			86,5	86,5	87	86,5	86	85,5	83,5	81	78	74,5			

B-NM - B-NMS	NM - NMS	P <sub>2</sub>		Q m <sup>3</sup> /h l/min	75	84	96	108	120	132	150	168	180	192	210	240	270	300
		kW	HP		1250	1400	1600	1800	2000	2200	2500	2800	3000	3200	3500	4000	4500	5000
					H m													
B-NM 80/160E/B	NM 80/16E/B	7,5	10	21,5	20,9	19,9	18,7	17,4	15,9	13,4	10,6							
B-NM 80/160D/C	NM 80/16D/C	9,2	12,5	25,2	24,5	23,5	22,4	21,1	19,6	17,2	14,4							
B-NM 80/160C/C	NM 80/16C/C	11	15	28,7	28,2	27,4	26,4	25,1	23,8	21,3	18,5	16,4						
B-NM 80/160B/C	NM 80/16B/C	15	20	34,8	34,5	33,8	33	32,1	30,9	28,9	26,4	24,5	22,4					
B-NM 80/16A	NM 80/16A/D	18,5	25	39,9	39,6	39	38,2	37,4	36,4	34,5	32,2	30,3	28,1					
B-NMS 80/200B/A	NM 80/20B	22	30	46,5	46	45,5	44,5	43,5	42	39*	35,5*	32*						
B-NMS 80/200A/A	NMS 80/200A	30	40	56	55,5	55	54	53	52	49,5*	46*	43*						
B-NMS 80/250E/A	NM 80/25E	22	30	51	50	48,5	46,5	44,5	42	38*	33*	29*						
B-NMS 80/250D/A	NMS 80/250D	30	40	65	64	62,5	61	59	56,5	53*	49*	45,5*	41*					
B-NMS 80/250C/A	NMS 80/250C/A	37	50	73,5	73	72	70,5	69	67	63*	59*	55,5*	51,5*					
B-NMS 80/250B/A	NMS 80/250B/A	45	60	84	83,5	82,5	81,5	80	78	74,5*	70,5*	67*	63*					
B-NMS 80/250A/A	NMS 80/250A/A	55	75	95	94,5	93,5	92,5	91,5	90	87,5*	84*	80,5*	76,5*					
B-NMS 100/200E/B	NM 100/20E/A	18,5	25				30	29,5	29	28	27	26	25	23	19*			
B-NMS 100/200D/A	NM 100/20D	22	30				36	35,5	35	34	33	32	31	29	24,5*	19*		
B-NMS 100/200C/A	NMS 100/200C	30	40				45	44,5	44	43,5	42,5	41,5	40,5	39	34,5*	29*	22°	
B-NMS 100/200B/A	NMS 100/200B/A	37	50				54	53,5	53	52,5	51,5	50,5	49,5	48	44*	38,5*	32°	
B-NMS 100/200A/A	NMS 100/200A/A	45	60				61,5	61	60,5	60	59,5	58,5	58	56,5	53*	48*	42°	
B-NMS 100/250B/A	NMS 100/250B/A	55	75				73,5	73	72,5	71,5	70	68,5	67	65	61*	55,5*	48,5°	
B-NMS 100/250A/A	NMS 100/250A/A	75	100				91	90,5	90	89,5	88,5	88	87	85	81*	75*	67°	

**NM(S)** Standard construction.  
**B-NM(S)** Bronze construction.

P<sub>2</sub> Rated motor power output.  
H Total head in m.

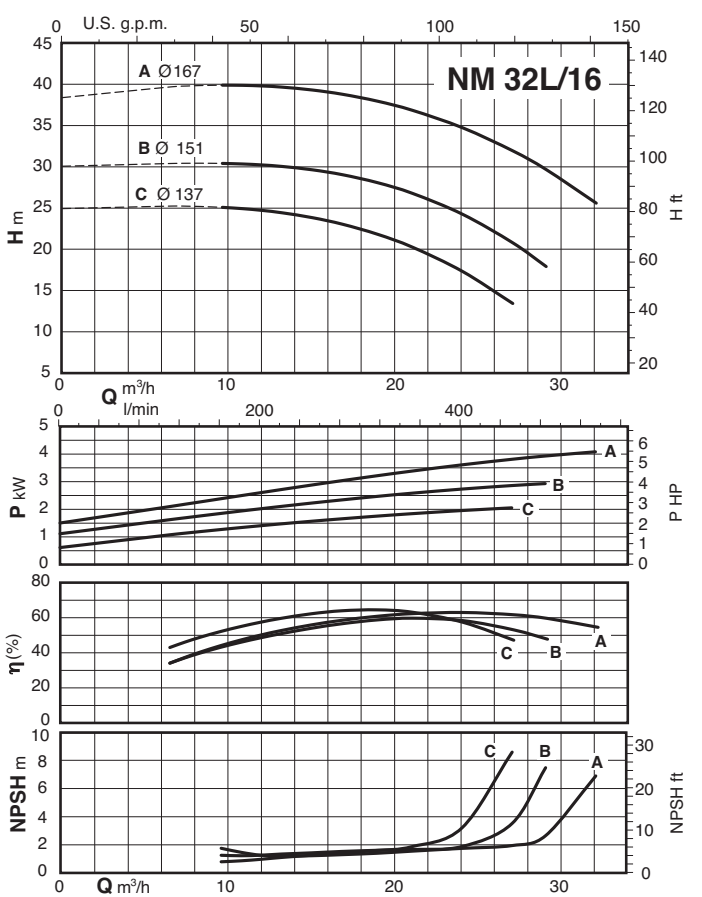
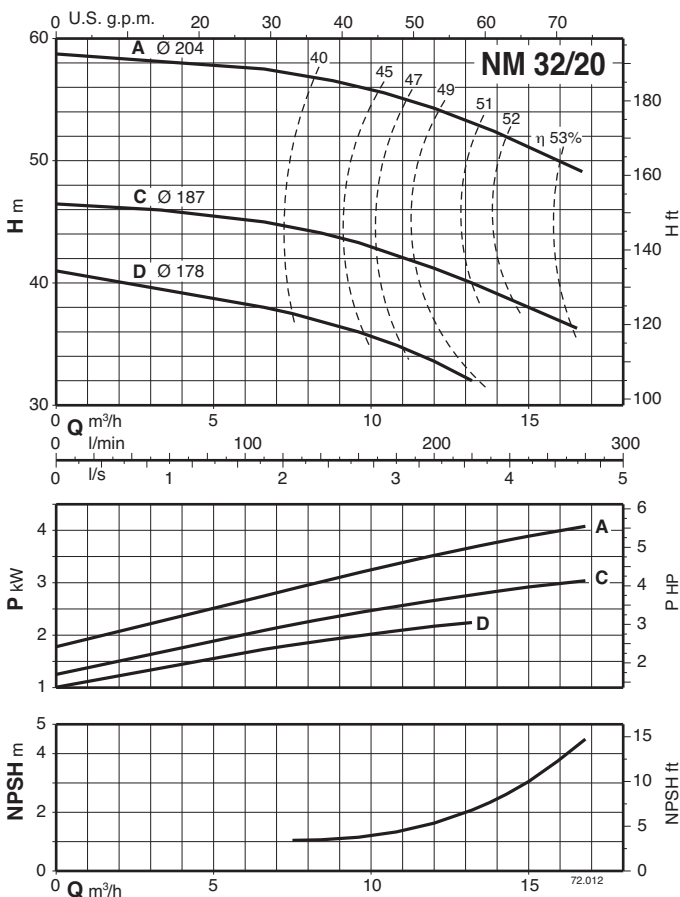
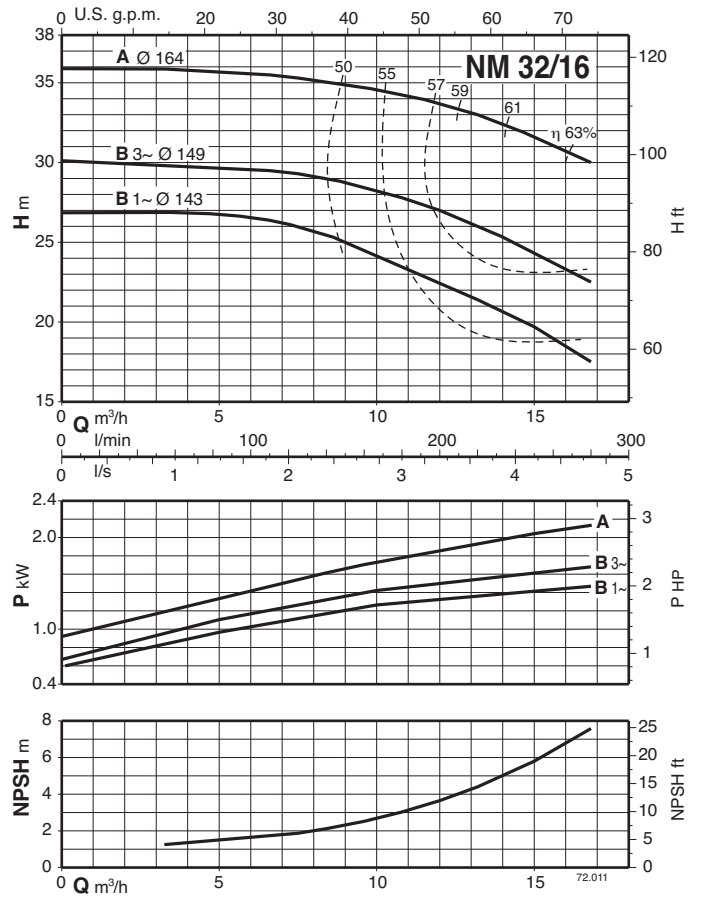
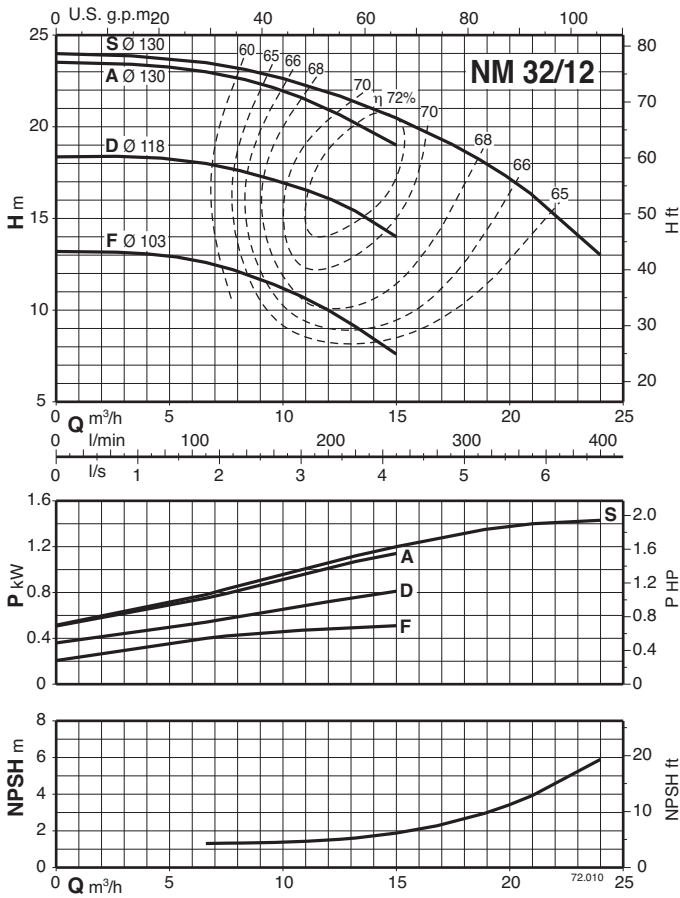
\* Maximum suction lift 1-2 m.  
 With 1 m suction head.  
 Tolerances according to UNI EN ISO 9906:2012

### Rated currents

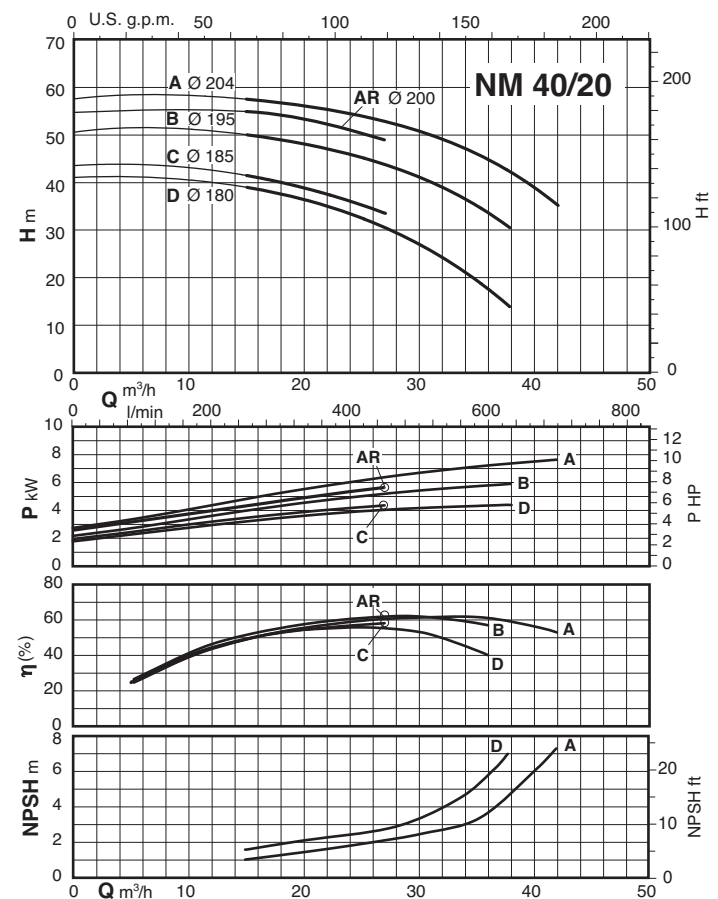
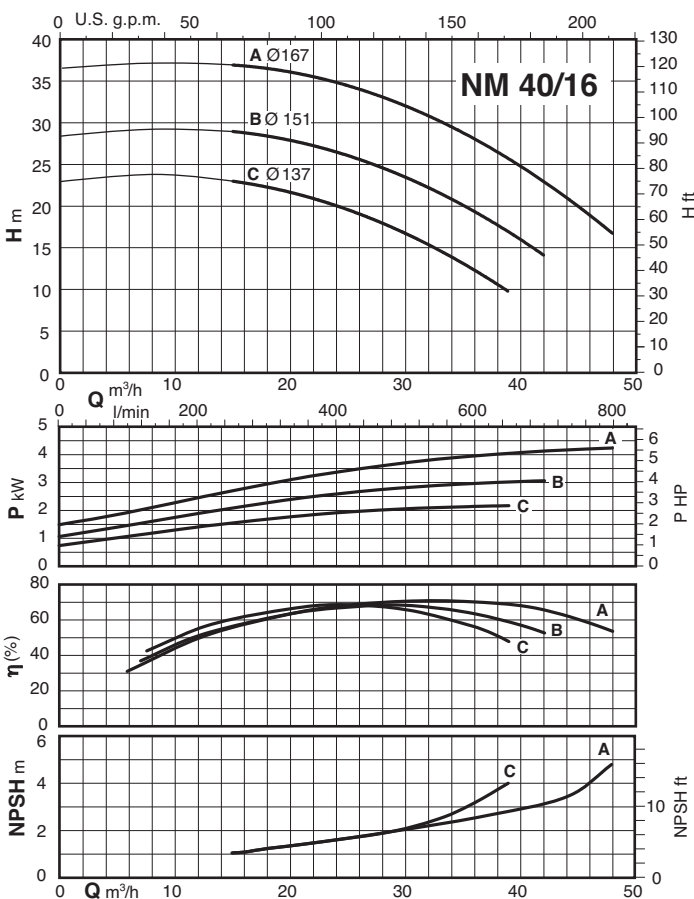
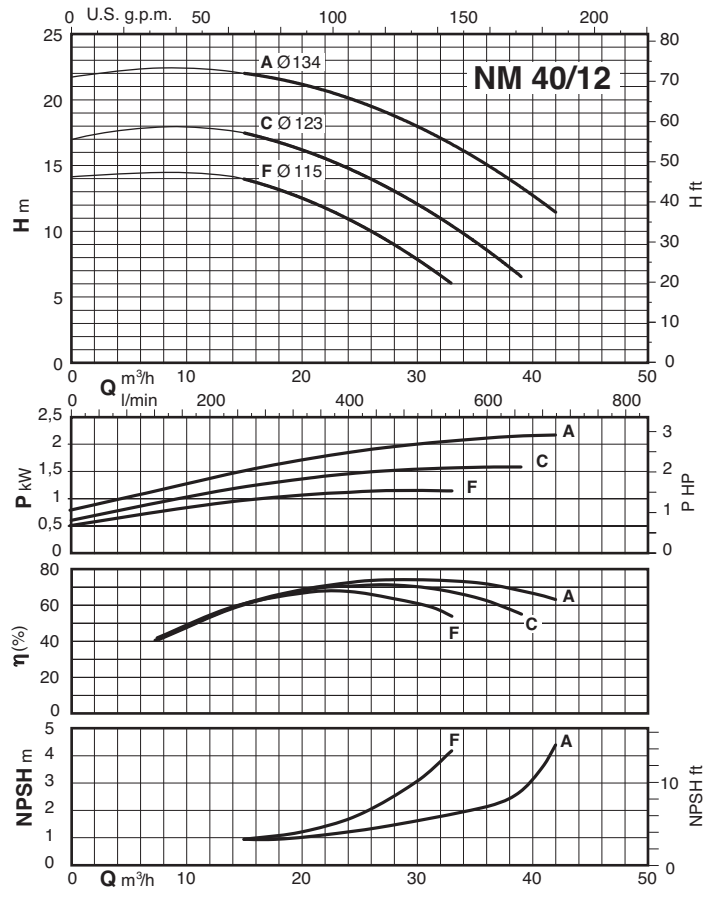
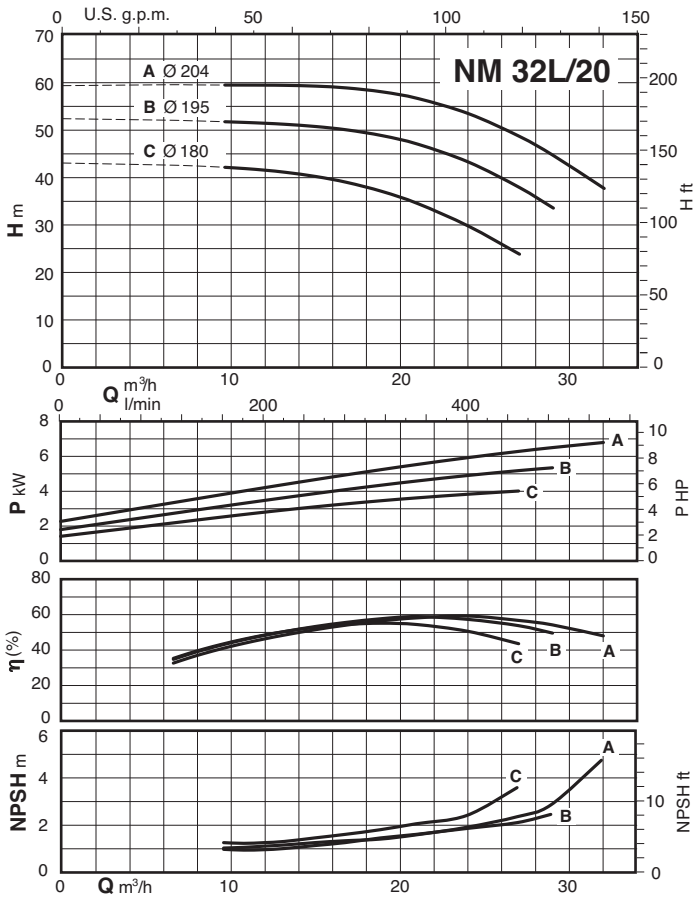
P <sub>2</sub>		230V Δ / 400V Y			IA/IN
kW	HP	IN A	IN A	IN A	
0,55	0,75	4	2,3	4,8	
0,75	1	4	2,3	6,1	
1,1	1,5	4,6	2,7	5,5	
1,5	2	7,5	4,3	6,1	
2,2	3	9,2	5,3	8,4	
3	4	11,5	6,6	8,2	
4	5,5		9,6	5,5	8,9
5,5	7,5		10,8	6,2	9,1
7,5	10		14,3	8,3	9,1
9,2	12,5		18,5	10,7	8,2
11	15		21,5	12,4	8,5
15	20		27,3	15,8	9,5
18,5	25		34	19,6	9,5
22	30		41	23,7	9,5
30	40		53	30,5	8,6
37	50		65	37,5	7,1
45	60		78	45	6,9
55	75		95	55	6,7
75	100		128	74	6,8

P<sub>2</sub> Rated motor power output.  
IA/IN D.O.L. starting current / Nominal current

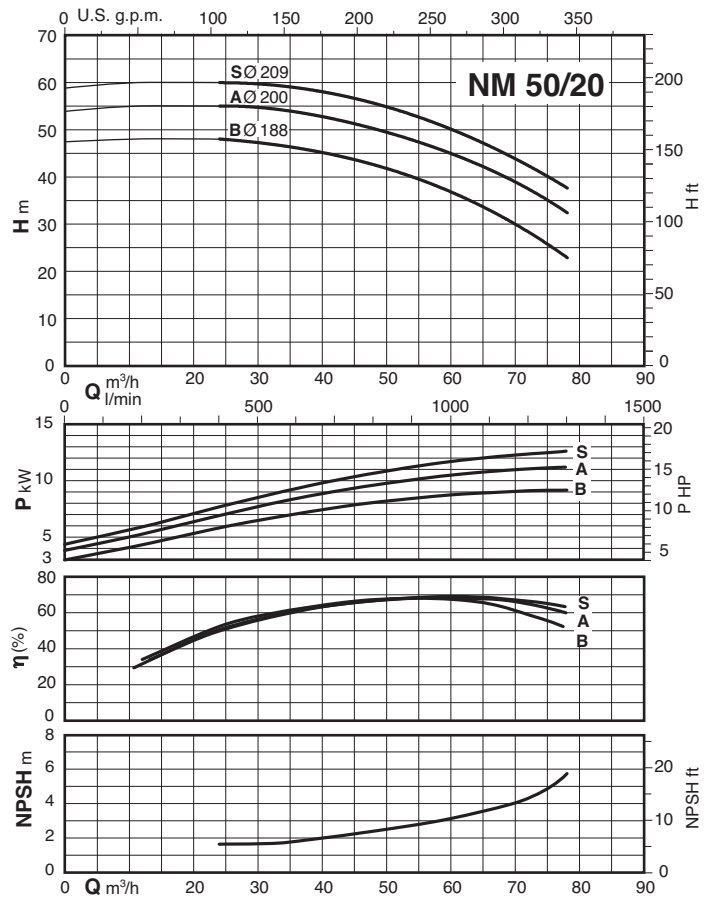
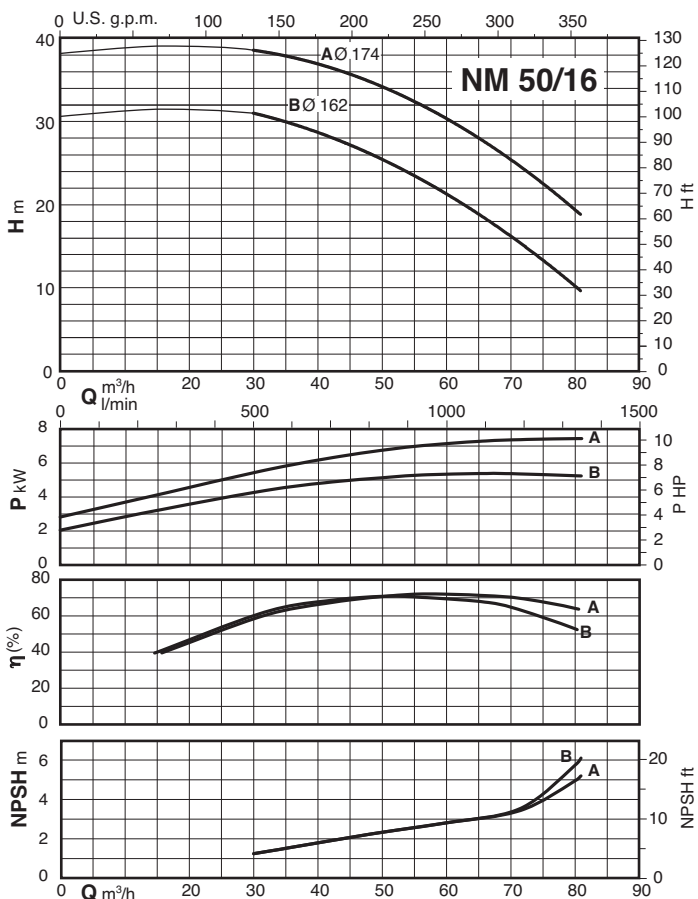
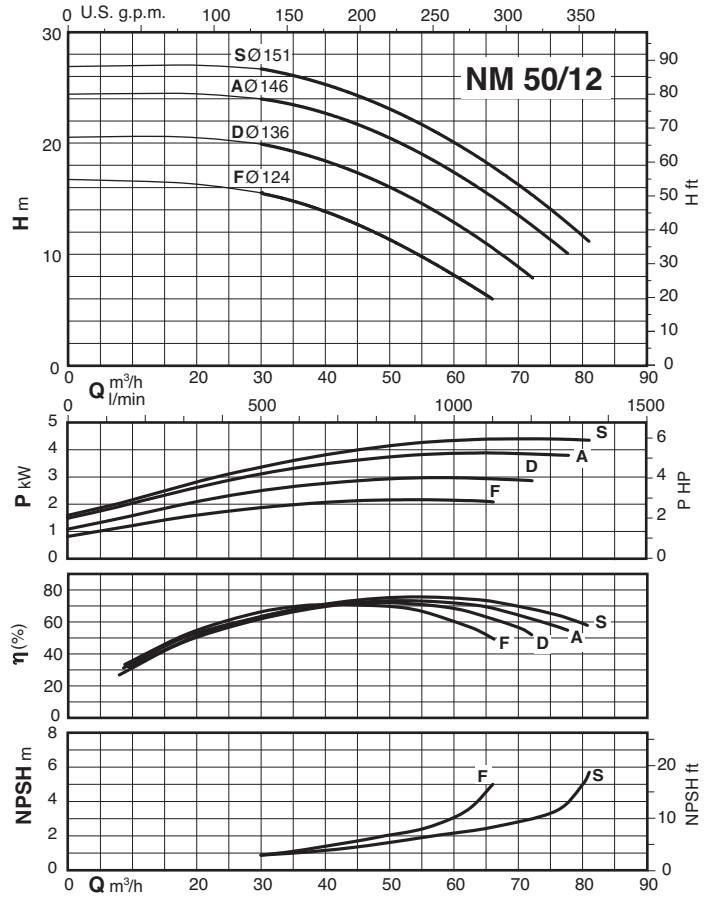
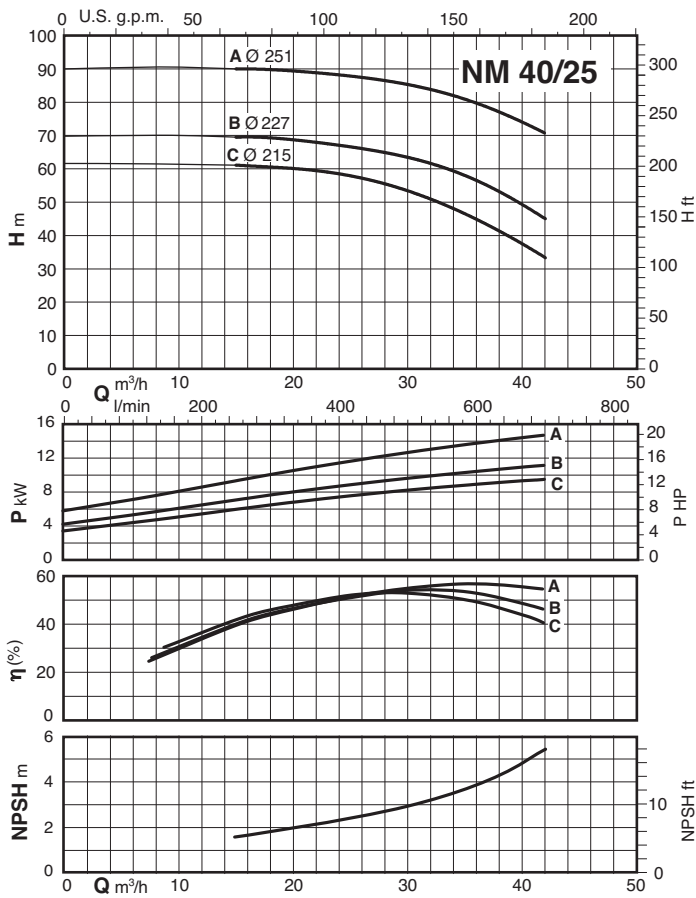
### Characteristic curves $n \approx 2900$ rpm



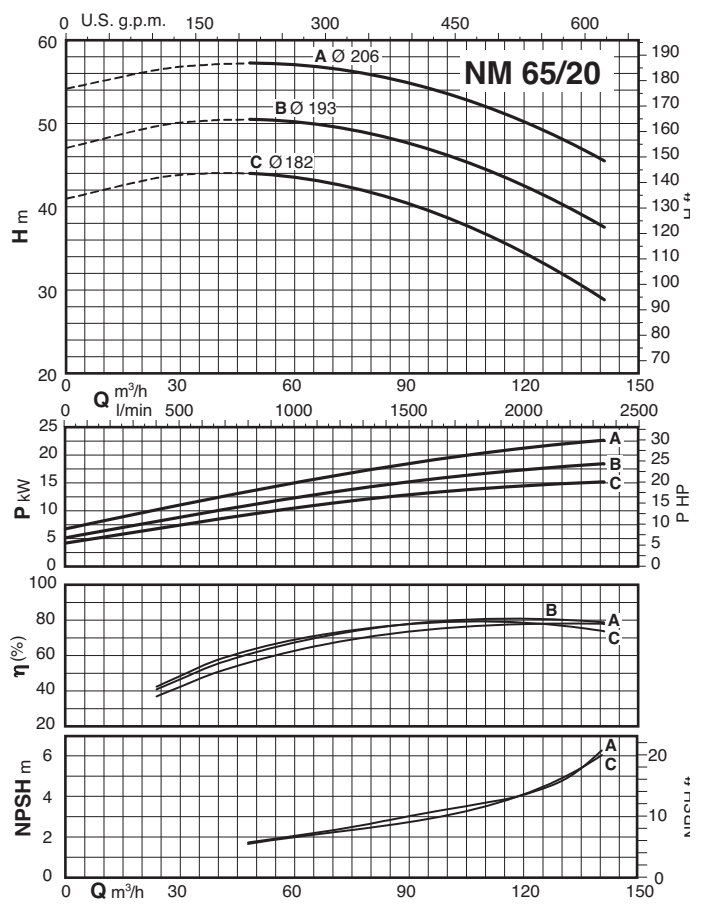
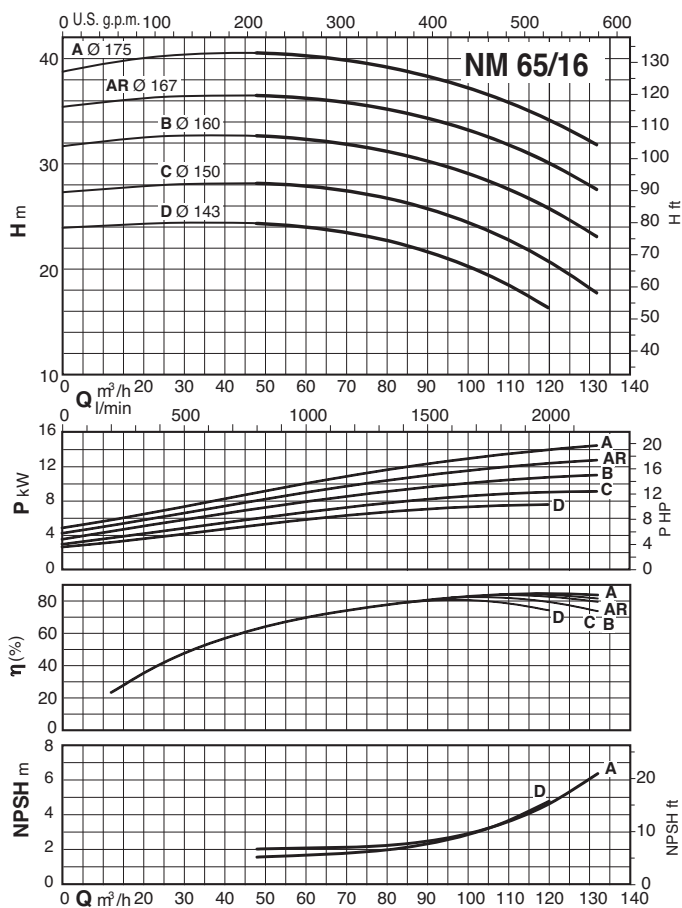
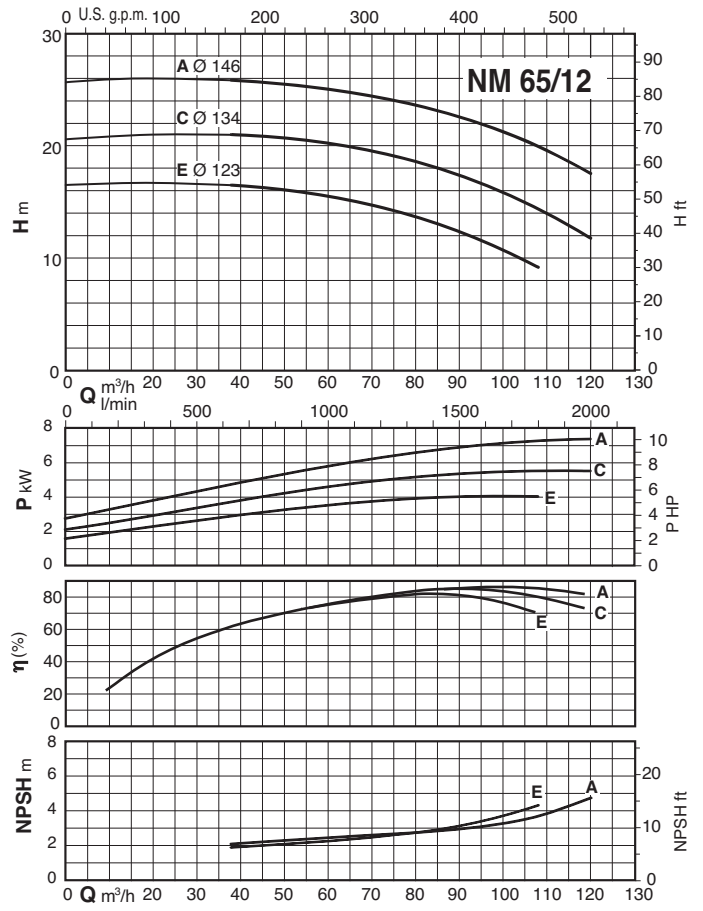
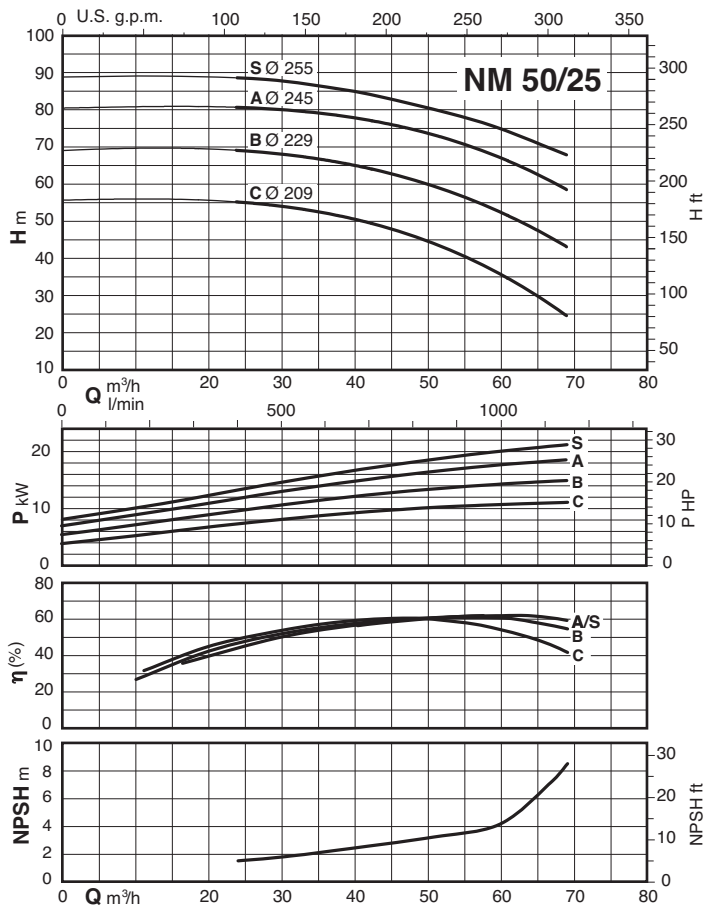
Characteristic curves  $n \approx 2900$  rpm



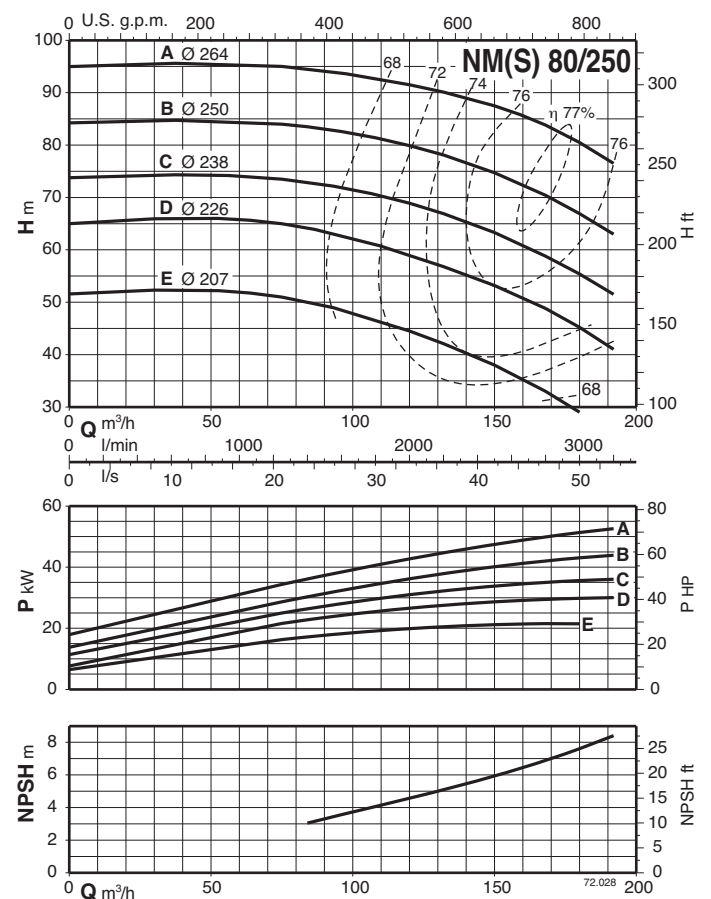
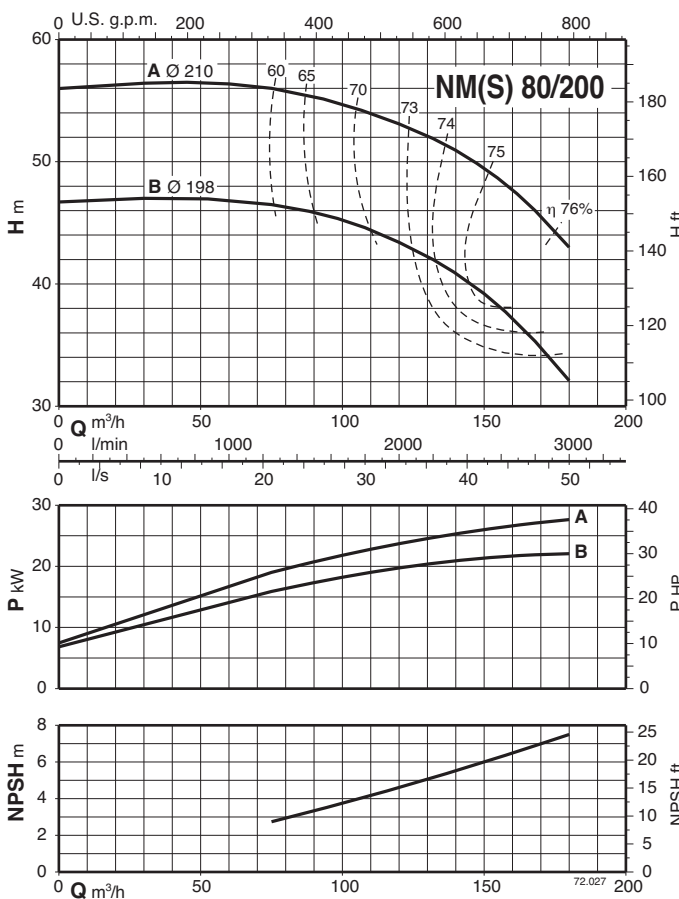
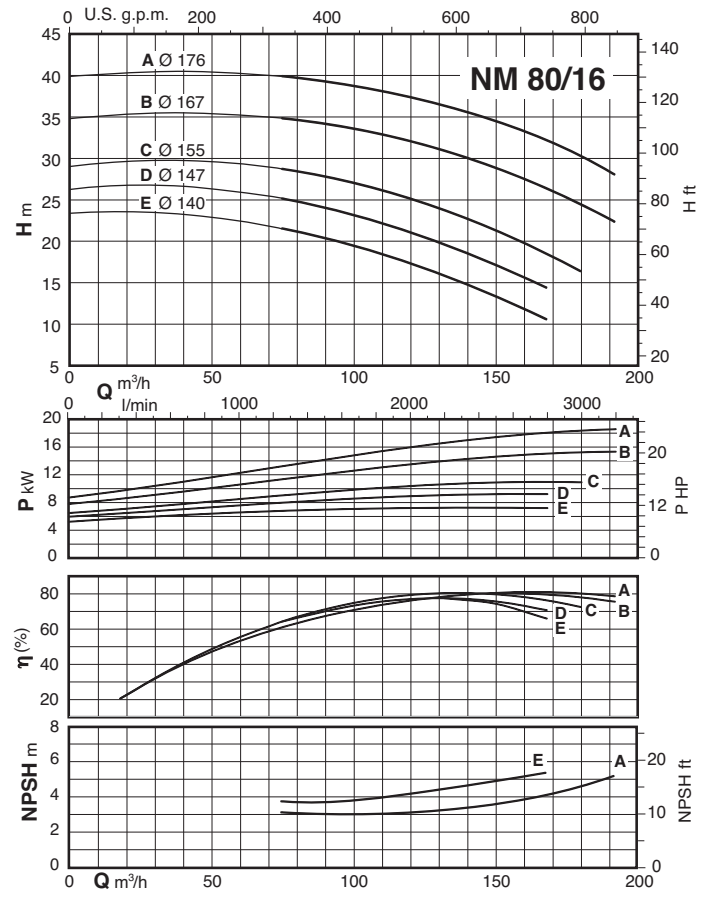
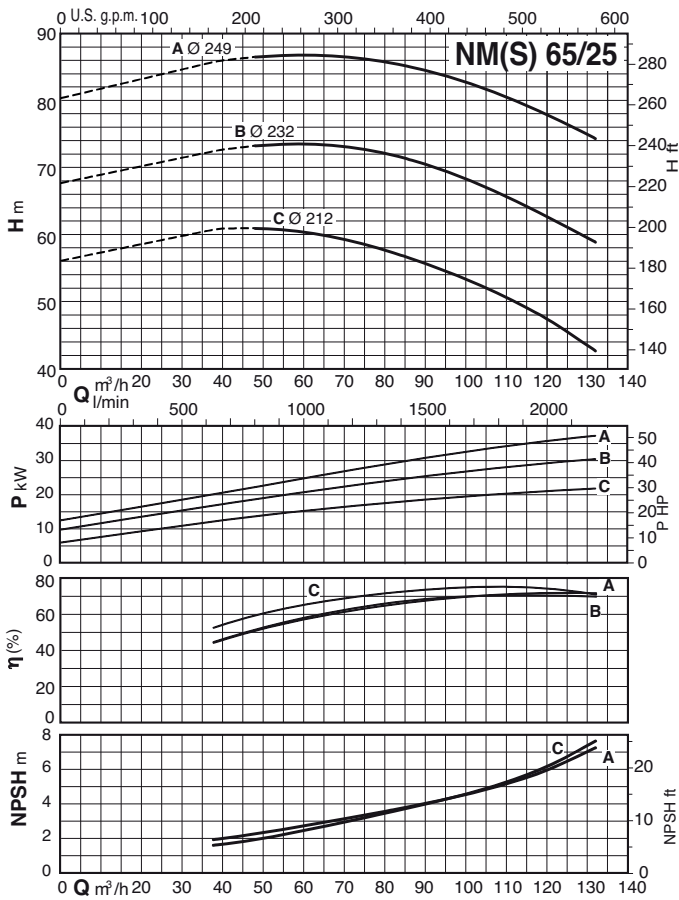
Characteristic curves  $n \approx 2900$  rpm



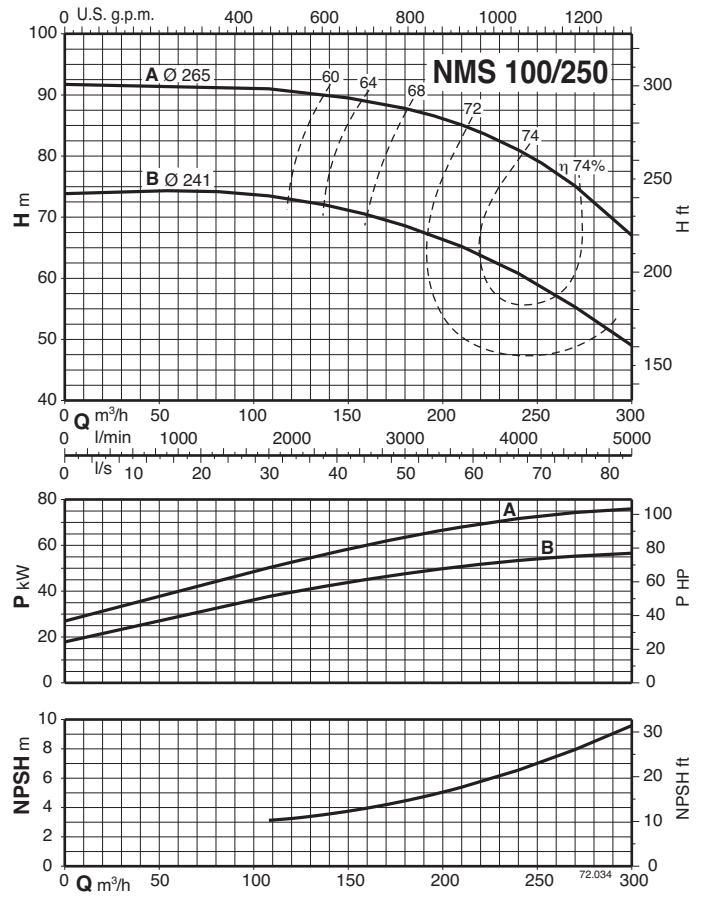
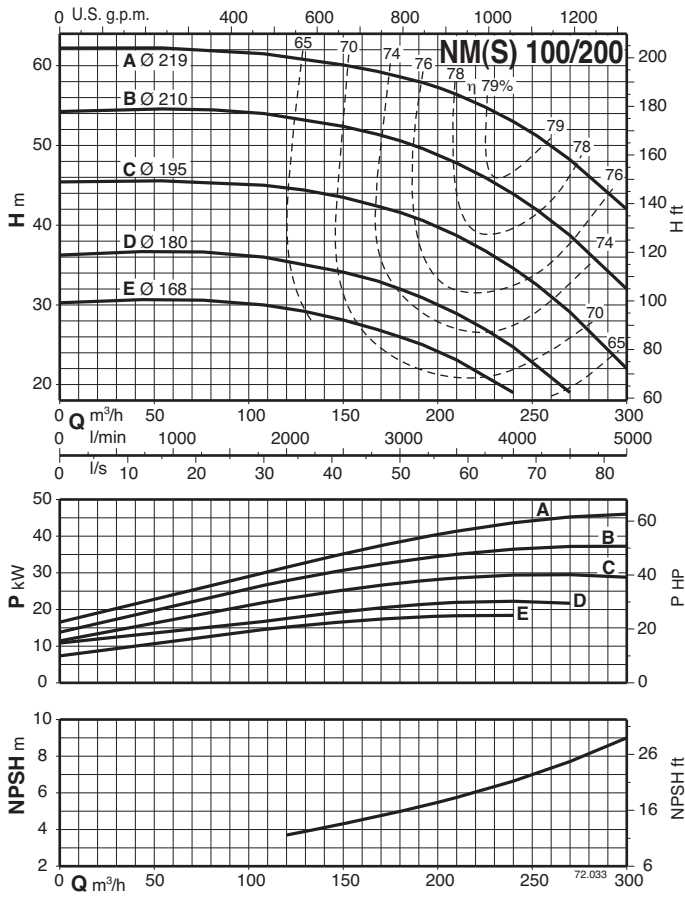
### Characteristic curves $n \approx 2900$ rpm



### Characteristic curves $n \approx 2900$ rpm



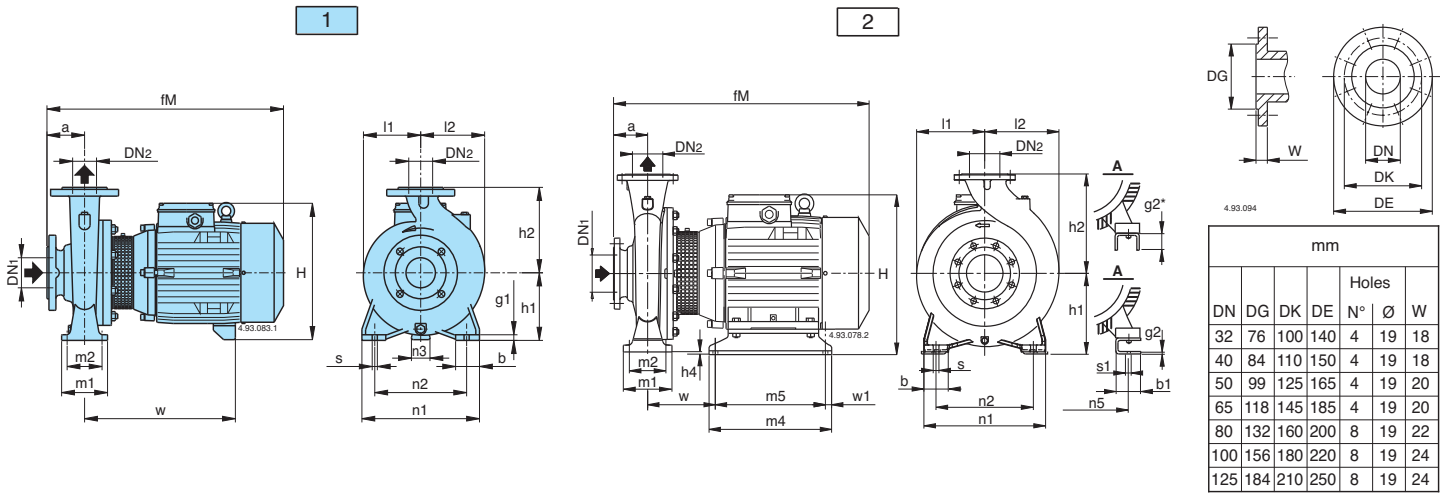
### Characteristic curves $n \approx 2900$ rpm





### Dimensions and weights

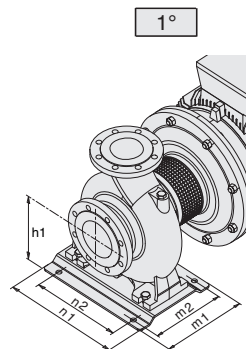
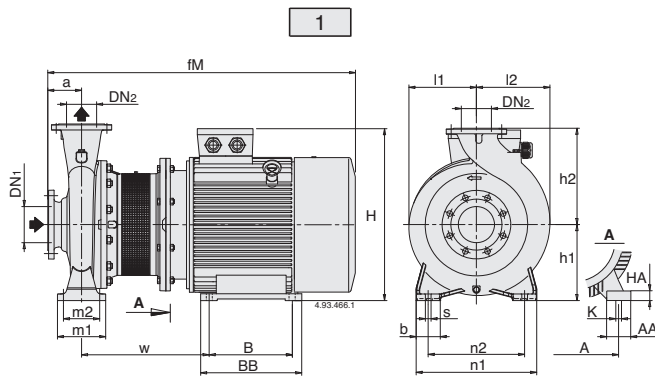
Flanges EN 1092-2



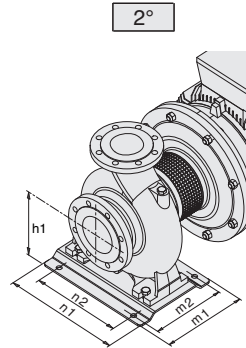
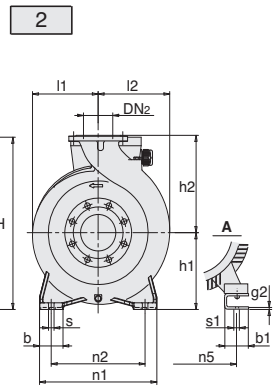
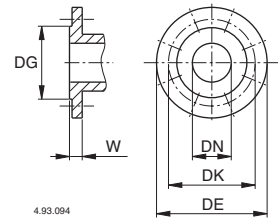
Picture	NM	mm																							kg				
		DN1	DN2	a	fm	h1	h2	H	h4	m1	m2	n1	n2	n3	n5	w1	b	b1	s	s1	l1	l2	w	m4	m5	g1	g2		
1	NM 32/12DE-FE NM 32/12S/A-A/A	50	32	80	405	112	140	240	-	100	70	190	140	37	-	-	50	-	14	-	93	97	245	-	-	12	-	24-24 27-26	
	NM 32/16B/A NM 32/16A/B	50	32	80	410 450	132	160	260	-	100	70	240	190	47	-	-	50	-	14	-	120	120	250 290	-	-	12	-	34 39	
	NM 32/20D/B NM 32/20A/B-C/A	50	32	80	450 475	160	180	288 298	-	100	70	240	190	62 60	-	-	50	-	14	-	140	140	290 295	-	-	12	-	42 51-47	
	NM 32L/16C NM 32L/16A-B	50	32	80	450 475	132	160	260 270	-	100	70	240	190	47 45	-	-	50	-	14	-	121	121	290 295	-	-	10	-	38,6 47,6-45,6	
	NM 32L/20C NM 32L/20A-B	50	32	80	475 508	160	180	298 320	-	100	70	240	190	60 49	-	-	50	-	14	-	142	142	295 279	-	-	12	-	52 72-66	
	NM 40/12C/B-F/B NM 40/12A/C	65	40	80	410 450	112	140	240	-	100	70	210	160	37	-	-	50	-	14	-	100	113	250 290	-	-	12	-	29-27 32	
	NM 40/16C/C NM 40/16A/C-B/B	65	40	80	450 475	132	160	260 270	-	100	70	240	190	47 45	-	-	50	-	14	-	121	122	290 295	-	-	10	-	39 48-46	
	NM 40/20C/B-D/B NM 40/20A/A-AR/A-B/A	65	40	100	495 528	160	180	298 320	-	100	70	265	212	60 49	-	-	50	-	14	-	142	142	295 279	-	-	12	-	54-53 73-67-67	
	NM 40/25C/C NM 40/25B/C NM 40/25A/C	65	40	100	640 690 715	180	225	365	-	125	95	320	250	50	-	-	65	-	14	-	175	175	400 460 460	-	-	15	-	108 117 139	
	NM 50/12F/C NM 50/12S/C-A/C-D/B	65	50	100	470 495	132	160	260 270	-	100	70	240	190	47 45	-	-	50	-	14	-	122	137	290 295	-	-	10	-	40 50,5-50,6-47	
	NM 50/16A/B-B/B	65	50	100	528	160	180	320	-	100	70	265	212	49	-	-	50	-	14	-	126	140	279	-	-	12	-	70,5-64	
	NM 50/20B/C NM 50/20A/C NM 50/20S/C	65	50	100	640 690 720	160	200	345	-	100	70	265	212	40	-	-	50	-	14	-	140	153	460 460	-	-	15	-	100 109 131	
	NM 50/25C/C NM 50/25B/C	65	50	100	695 720	180	225	365	-	125	95	320	250	50	-	-	65	-	14	-	175	175	465 465	-	-	15	-	122 145	
	2	NM 50/25S-A/D	65	50	100	766	180	225	386	-	125	95	320	250	-	254	20	65	60	14	15	175	175	166	394	354	-	20*	-
	1	NM 65/12E/C NM 65/12A/B-C/B	80	65	100	500 533	160	180	298 320	-	125	95	280	212	60 49	-	-	65	-	14	-	130	154	300 284	-	-	12	-	51,9 70,7-64,7
		NM 65/16D/B NM 65/16C/C NM 65/16B/C NM 65/16A/C-AR	80	65	100	528 640 690 715	160	200	320 345 345 345	-	125	95	280	212	49 40 40 40	-	-	65	-	14	-	140	161	279 410 410 460	-	-	12	-	70,5 93 112 127
NM 65/20C/C		80	65	100	715	180	225	365	-	125	95	320	250	50	-	-	65	-	14	-	159	179	460	-	-	12	-	134	
2		NM 65/20A/A-B/D	80	65	100	762	180	225	386	-	125	95	320	250	-	254	20	65	60	14	15	159	179	175	394	354	-	20*	--
NM 65/25C/A		80	65	100	762	202	250	408	2	160	120	360	280	-	254	20	80	90	18	14	179	185	182	400	360	-	42*	187	
1	NM 80/16E/B NM 80/16D/C NM 80/16C/C NM 80/16B/C	100	80	125	553 670 720 745	180	225	340 365 365 365	-	125	95	320	250	60 50 50 50	-	-	65	-	14	-	153	181	279 415 465 465	-	-	12	-	77,5 101 120 132	
	2	NM 80/16A/D	100	80	125	789	180	225	386	-	125	95	320	250	-	254	20	65	60	14	15	153	181	164	394	354	-	20*	-
	NM 80/20B	100	80	125	787	202	250	408	22	125	95	345	280	-	254	20	65	90	18	14	170	194	182	400	360	-	42*	180	
	NM 80/25E	100	80	125	787	202	280	408	2	160	120	400	315	-	254	20	80	90	18	14	191	210	182	400	360	-	42*	193	
2	NM 100/20D-E/A	125	100	125	787	200	280	406	-	160	120	360	280	-	254	20	80	90	18	15	180	212	162	394	354	-	40*	--	



### Dimensions and weights



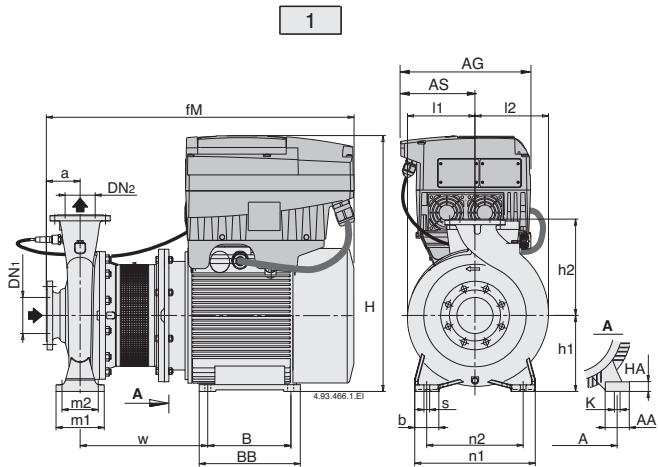
Flanges EN 1092-2



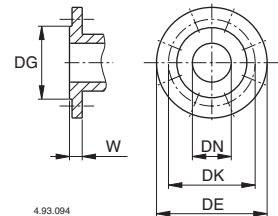
mm						
DN	DG	DK	DE	Holes		
				N°	Ø	W
32	76	100	140	4	19	18
40	84	110	150	4	19	18
50	99	125	165	4	19	20
65	118	145	185	4	19	20
80	132	160	200	8	19	22
100	156	180	220	8	19	24
125	184	210	250	8	19	24

Picture	NMS	mm																												kg	
		DN1	DN2	a	fM	h1	h2	H	m1	m2	n1	n2	A	n5	w1	b	AA	b1	s	K	s1	l1	l2	w	BB	m4	B	m5	HA		g2
2	NMS 65/250B/A	80	65	100	961	200	250	486	160	120	360	280	-	279	20	80	-	70	18	-	15	179	195	333	-	440	-	400	-	20	236
1	NMS 65/250A/B	80	65	100	1009	200	250	515	160	120	360	280	318	-	-	80	70	-	18	19	-	200	200	406	355	-	305	-	25	-	298
1	NMS 80/200A	100	80	125	986	180	250	466	125	95	345	280	279	-	-	65	65	-	14	19	-	170	194	394	328	-	279	-	20	-	222
2	NMS 80/250D	100	80	125	986	200	280	486	160	120	400	315	-	279	20	80	-	70	18	-	15	191	211	333	-	440	-	400	-	20	242
1	NMS 80/250C/A	100	80	125	1034	200	280	515	160	120	400	315	318	-	-	80	70	-	18	19	-	200	210	406	355	-	305	-	25	-	300
1°	NMS 80/250B/A	100	80	125	1129	225	280	563	298	258	410	315	356	-	-	-	80	-	18	19	-	225	225	445	361	-	311	-	34	-	437
2°	NMS 80/250A/A	100	80	125	1198	280	280	690	260	220	410	315	-	406	25	-	-	100	18	-	24	275	275	443	-	500	-	450	-	8	534
2	NMS 100/200C	125	100	125	986	200	280	486	160	120	360	280	-	279	20	80	-	70	18	-	15	180	212	333	-	440	-	400	-	20	236
1	NMS 100/200B/A	125	100	125	1034	200	280	515	160	120	360	280	318	-	-	80	70	-	18	19	-	200	212	406	355	-	305	-	25	-	338
1°	NMS 100/200A/A	125	100	125	1129	225	280	563	298	258	410	315	356	-	-	-	80	-	18	19	-	225	225	445	361	-	311	-	34	-	426
2°	NMS 100/250B/A	125	100	140	1213	280	280	690	260	220	410	315	-	440	25	-	-	100	18	-	24	275	275	443	-	500	-	450	-	8	545
1°	NMS 100/250A/A	125	100	140	1286	280	280	713	260	220	410	315	457	-	-	-	100	-	18	24	-	275	275	516	479	-	368	-	40	-	648

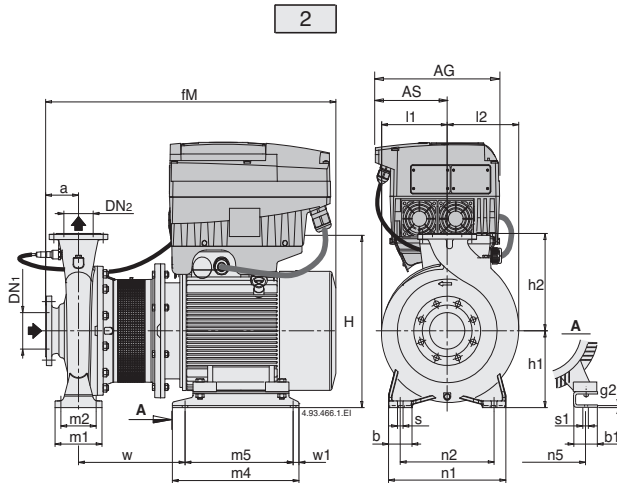
### Dimensions and weights



Flanges EN 1092-2

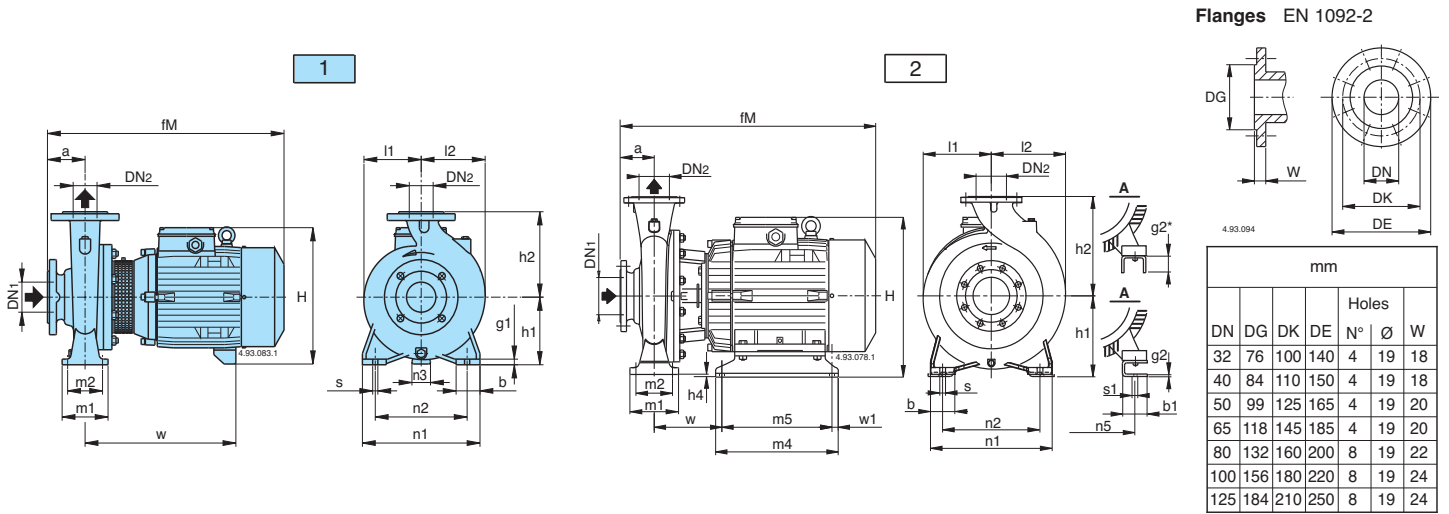


mm						
DN	DG	DK	DE	Holes		
				N°	Ø	W
32	76	100	140	4	19	18
40	84	110	150	4	19	18
50	99	125	165	4	19	20
65	118	145	185	4	19	20
80	132	160	200	8	19	22
100	156	180	220	8	19	24
125	184	210	250	8	19	24



Picture	NMS EI	mm																											kg				
		DN1	DN2	a	fM	AG	AS	h1	h2	H	m1	m2	n1	n2	A	n5	w1	b	AA	b1	s	K	s1	l1	l2	w	BB	m4		B	m5	HA	g2
2	NMS EI 65/250B/A	80	65	100	961	350	190	200	250	486	160	120	360	280	-	279	20	80	-	70	18	-	15	179	195	333	-	440	-	400	-	20	271
1	NMS EI 65/250A/B	80	65	100	1009	350	190	200	250	515	160	120	360	280	318	-	-	80	70	-	18	19	-	200	200	406	355	-	305	-	25	-	333
2	NMS EI 80/250D	100	80	125	986	350	190	200	280	486	160	120	400	315	-	279	20	80	-	70	18	-	15	191	211	333	-	440	-	400	-	20	277
1	NMS EI 80/250C/A	100	80	125	1034	350	190	200	280	515	160	120	400	315	318	-	-	80	70	-	18	19	-	200	210	406	355	-	305	-	25	-	335
2	NMS EI 100/200C	125	100	125	986	350	190	200	280	486	160	120	360	280	-	279	20	80	-	70	18	-	15	180	212	333	-	440	-	400	-	20	271
1	NMS EI 100/200B/A	125	100	125	1034	350	190	200	280	515	160	120	360	280	318	-	-	80	70	-	18	19	-	200	212	406	355	-	305	-	25	-	373

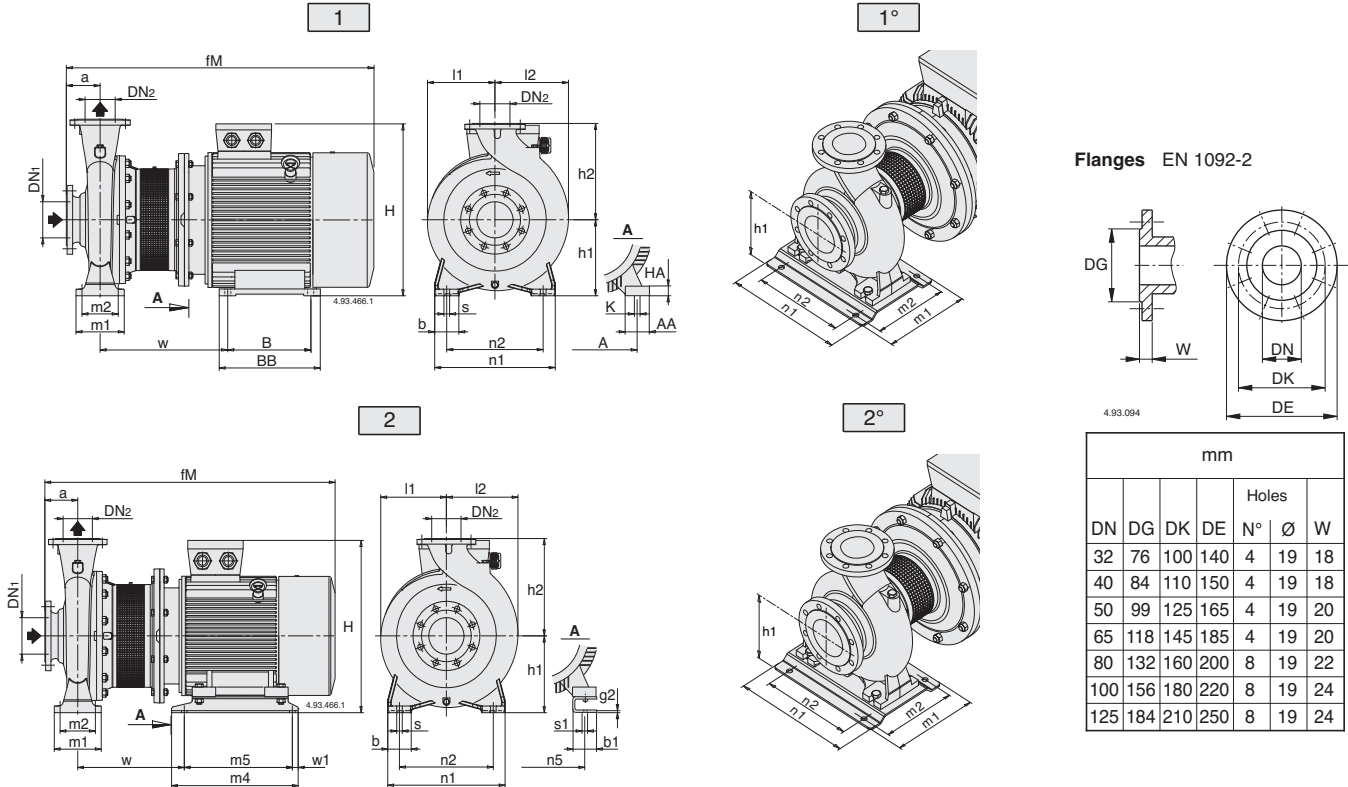
### Dimensions and weights



Picture	B- NM	mm																							kg			
		DN1	DN2	a	fm	h1	h2	H	h4	m1	m2	n1	n2	n3	n5	w1	b	b1	s	s1	l1	l2	w	m4	m5	g1	g2	B-NM
1	B-NM 32/12D-F B-NM 32/12S/A-A/A	50	32	80	405	112	140	240	-	100	70	190	140	37	-	-	50	-	14	-	93	97	245	-	-	12	-	27-27 30-28
	B-NM 32/16B/A B-NM 32/16A/B	50	32	80	410 450	132	160	260	-	100	70	240	190	47	-	-	50	-	14	-	120	120	250 290	-	-	12	-	38,5 42
	B-NM 32/20D/B B-NM 32/20A/B-C/A	50	32	80	450 475	160	180	288 298	-	100	70	240	190	45 60	-	-	50	-	14	-	140	140	290 295	-	-	12	-	47,5 58-56,5
	B-NM 32L/16C B-NM 32L/16A-B	50	32	80	450 475	132	160	260 270	-	100	70	240	190	47 45	-	-	50	-	14	-	121	121	290 295	-	-	10	-	42,5 52,5-49,5
	B-NM 32L/20C B-NM 32L/200A-B	50	32	80	475 563	160	180	298 320	-	100	70	240	190	60 49	-	-	50	-	14	-	142	142	295 334	-	-	12	-	58,3 79,3-73,8
1	B-NM 40/12C/A-F/A B-NM 40/12A/B	65	40	80	410 450	112	140	240	-	100	70	210	160	37	-	-	50	-	14	-	100	113	250 290	-	-	12	-	33-31 36
	B-NM 40/16C/B B-NM 40/16A/B-B/A	65	40	80	450 475	132	160	260 270	-	100	70	240	190	47 45	-	-	50	-	14	-	121	122	290 295	-	-	10	-	43 53-50
	B-NM 40/20C/B-D/B B-NM 40/200A/A-AR/A-B/A	65	40	100	495 583	160	180	298 320	-	100	70	265	212	60 49	-	-	50	-	14	-	142	142	295 334	-	-	12	-	59,5-59 80,5-75
2	B-NM 4025/C/C B-NM 4025/B/C B-NM 4025/A/C	65	40	100	635 685 710	192	225	377	12	125	95	320	250	-	216	20	65	69	14	12	175	175	174	298	258	-	6	124 130 159,5
	B-NM 50/12F/B B-NM 50/12S/B-A/B-D/A	65	50	100	470 495	132	160	260 270	-	100	70	240	190	47 45	-	-	50	-	14	-	122	137	290 295	-	-	10	-	44 54,5-54-52
	B-NM 50/160A/B-B/B	65	50	100	583	160	180	320	-	100	70	265	212	49	-	-	50	-	14	-	126	140	334	-	-	12	-	80-74,5
2	B-NM 50/200B/C B-NM 50/200A/C B-NM 50/200S/C	65	50	100	695 745 769	192	200	377	32	100	70	265	212	-	216	20	50	69	14	12	140	153	234	298	258	-	6	123 132 154
	B-NM 5025/C/C B-NM 5025/B/C	65	50	100	685 710	192	225	377	12	125	95	320	250	-	216	20	65	69	14	12	175	175	174	298	258	-	6	135 156
	B-NM 50/25S-A	65	50	100	766	180	225	386	-	125	95	320	250	-	254	20	65	60	14	15	175	175	166	394	354	-	20*	-
1	B-NM 65/12E/A	80	65	100	500	160	180	298	-	125	95	280	212	60	-	-	65	-	14	-	130	154	300	-	-	12	-	57,3
	B-NM 65/125A/B-C/B	80	65	100	588	160	180	320	-	125	95	280	212	49	-	-	65	-	14	-	130	154	339	-	-	12	-	80,5-74,5
1*	B-NM 65/160D/B B-NM 65/160C/C	80	65	100	583 660	160	200	320 345	-	125	95	280	212	49 40	-	-	65	-	14	-	140	179	334 430	-	-	12	-	80,2 101
	B-NM 65/160B/C B-NM 65/160A/C-AR	80	65	100	745 770	192	200	377	32	125	95	280	212	-	216	20	65	69	14	12	140	179	234	298	258	-	6	140 152
2	B-NM 65/200C/C	80	65	100	775	192	225	377	12	125	95	320	250	-	216	20	65	69	14	12	159	179	239	298	258	-	6	160
	B-NM 65/250C/B	80	65	100	825	202	250	408	2	160	120	360	280	-	254	20	80	90	18	14	179	195	245	400	360	-	42*	210
1*	B-NM 80/160E/B B-NM 80/160D/C	100	80	125	608 685	180	225	340 365	-	125	95	320	250	60 50	-	-	65	-	14	-	153	181	334 430	-	-	12	-	89,4 109
	B-NM 80/160C/C B-NM 80/160B/C	100	80	125	775 800	192	225	377	12	125	95	320	250	-	216	20	65	69	14	12	153	181	239	298	258	-	6	149 161
2	B-NM 80/16A	100	80	125	789	180	225	386	-	125	95	320	250	-	254	20	65	60	14	15	153	181	164	394	354	-	20*	-

\* Version without coupling guard

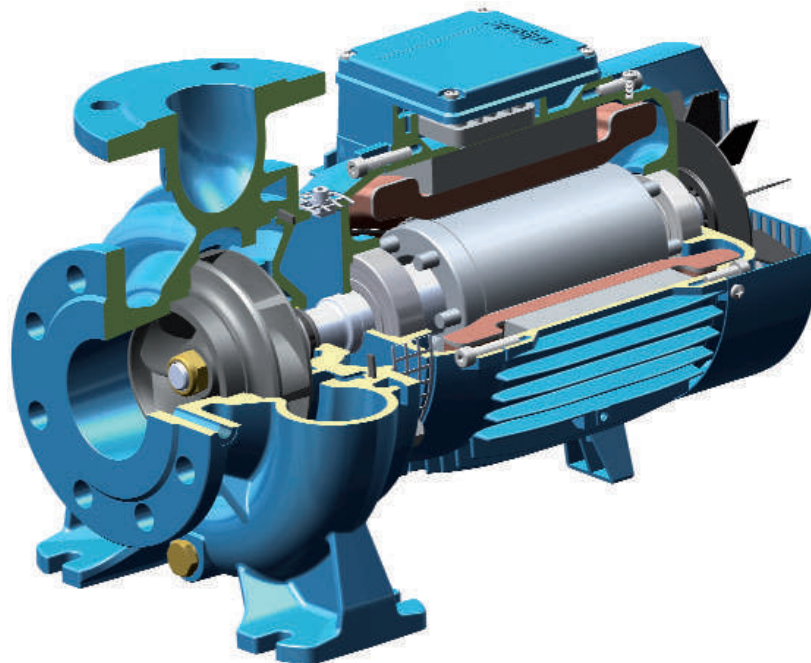
### Dimensions and weights



Picture	B-NMS	mm																												kg		
		DN1	DN2	a	fM	h1	h2	H	m1	m2	n1	n2	A	n5	w1	b	AA	b1	s	K	s1	l1	l2	w	BB	m4	B	m5	HA		g2	
2	B-NMS 65/200A-B	80	65	100	864	180	225	386	125	95	320	350	-	254	20	65	-	60	14	-	15	159	179	331	-	394	-	354	-	20		
2	B-NMS 65/250B/A	80	65	100	961	200	250	486	160	120	360	280	-	279	20	80	-	70	18	-	15	179	195	333	-	440	-	400	-	20		
1	B-NMS 65/250A/B	80	65	100	1009	200	250	515	160	120	360	280	318	-	-	80	70	-	18	19	-	200	200	406	355	-	305	-	25	-	308	
2	B-NMS 80/200B/A	100	80	125	936	180	250	387	125	95	345	280	-	254	20	65	-	60	14	-	15	175	194	331	-	350	-	310	-	5		
1	B-NMS 80/200A/A	100	80	125	986	180	250	466	125	95	345	280	279	-	-	65	65	-	14	15	-	170	194	394	328	-	279	-	20	-	231	
2	B-NMS 80/250E/A	100	80	125	936	200	280	407	160	120	400	315	-	254	20	80	-	60	18	-	15	191	210	331	-	394	-	354	-	6		
2	B-NMS 80/250D/A	100	80	125	986	200	280	486	160	120	400	315	-	279	20	80	-	70	18	-	15	191	212	333	-	440	-	400	-	20	287	
1	B-NMS 80/250C/A	100	80	125	1034	200	280	515	160	120	400	315	318	-	-	80	70	-	18	19	-	200	210	406	355	-	305	-	25	-		
1°	B-NMS 80/250B/A	100	80	125	1129	225	280	563	298	258	410	315	356	-	-	-	-	18	19	-	-	225	225	445	361	-	311	-	34	-		
2°	B-NMS 80/250A/A	100	80	125	1198	280	280	690	260	220	410	315	-	406	25	-	-	100	18	-	24	275	275	443	-	500	-	450	-	8		
2	B-NMS 100/200D/A-E/B	125	100	125	936	200	280	407	160	120	360	280	-	254	20	80	-	60	18	-	15	180	212	331	-	394	-	354	-	6		
2	B-NMS 100/200C/A	125	100	125	986	200	280	486	160	120	360	280	-	279	20	80	-	70	18	-	15	180	212	333	-	440	-	400	-	20		
1	B-NMS 100/200B/A	125	100	125	1034	200	280	515	160	120	360	280	318	-	-	80	70	-	18	19	-	200	212	406	355	-	305	-	25	-	352	
1°	B-NMS 100/200A/A	125	100	125	1129	225	280	563	298	258	410	315	356	-	-	-	-	18	19	-	-	225	225	445	361	-	311	-	34	-		
2°	B-NMS 100/250B/A	125	100	140	1213	280	280	690	260	220	410	315	-	440	25	-	-	100	18	-	24	275	275	443	-	500	-	450	-	8		
1°	B-NMS 100/250A/A	125	100	140	1286	280	280	713	260	220	410	315	457	-	-	-	-	100	-	18	24	-	275	275	516	479	-	368	-	40	-	

### Features

#### NM



#### **Cutting edge hydraulics**

The geometry of the impeller and the pump casing are optimized to achieve maximum efficiency and the best suction capability.

#### **Flexible**

The option to choose between cast iron and bronze materials for the hydraulic parts in contact with the pumped liquid allows NM series pumps to be selected for use with different types of liquids.

#### **Compact Design**

The compact design allows for easy installation even in confined spaces.

#### **Exclusive design**

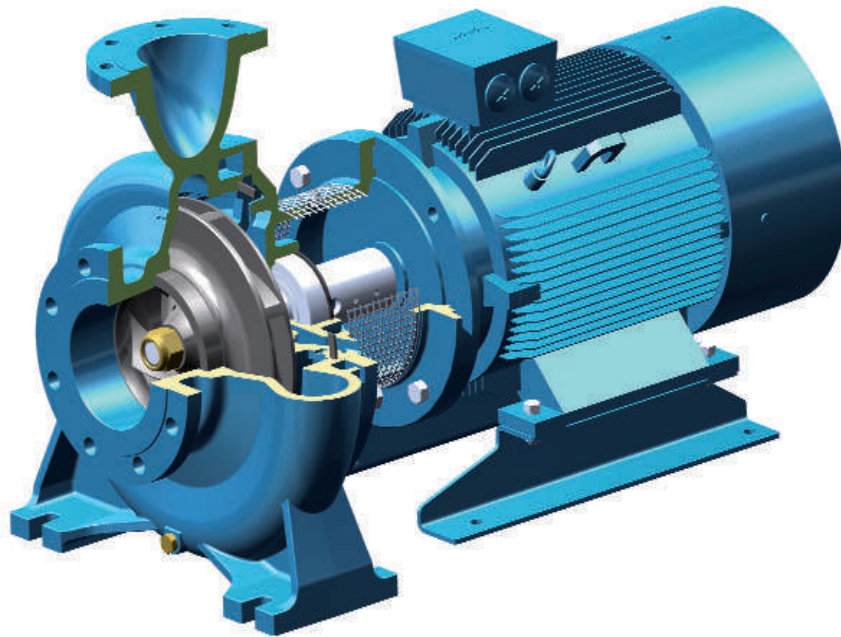
An innovative, patented guard prevents contact with rotating parts, providing protection to the end user whilst allowing for inspection of the mechanical seal.

#### **Reliable**

The bearing and shaft are designed to ensure the reduction of the stress, providing high reliability under all operating conditions.

## Features

### NMS



#### Cutting edge hydraulics

The geometry of the impeller and the pump casing are optimized to achieve maximum efficiency and the best suction capability.

#### Flexible

The option to choose between cast iron and bronze materials for the hydraulic parts in contact with the pumped liquid allows NMS series pumps to be selected for use with different types of liquids.

#### New lantern bracket construction

The lantern brackets incorporate a thrust bearing on the hydraulic side which guarantees the elimination of additional loads on the motor bearings. The flange is sized to be used with standard motors B35.

#### Exclusive design

An innovative, patented guard prevents contact with rotating parts, proving protection to the end user whilst allowing for inspection of the mechanical seal.

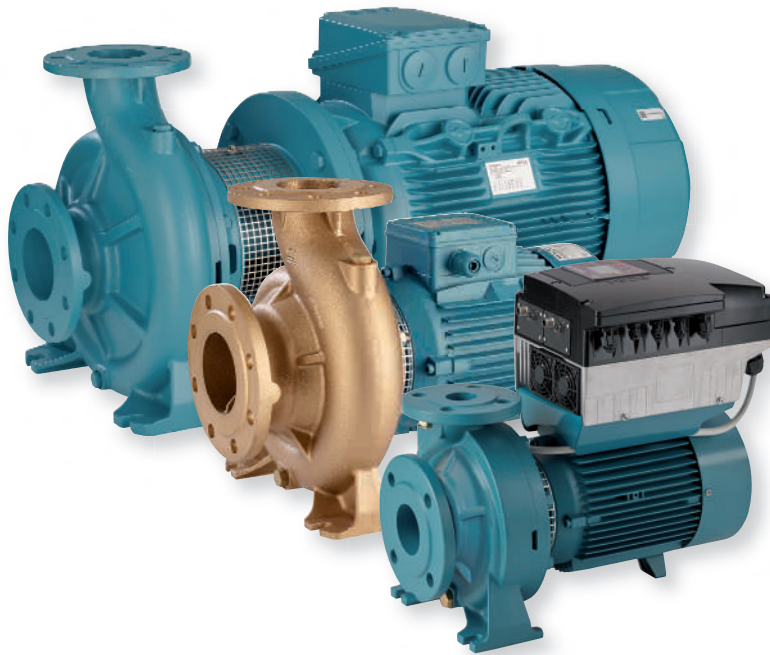
#### Simplified motor maintenance

The presence of the thrust bearing on the hydraulic side makes it easier to remove the motor, facilitating maintenance operations and eliminating the risks of damage to the hydraulic parts.



# NM4, NMS4

**Close Coupled Centrifugal Pumps**  
 n ≈ 1450 rpm



## Construction

Close-coupled centrifugal pumps; electric motor with extended shaft directly connected to the pump up to 15 kW, new bracket construction for standard motors (Stub-shaft construction) from 18,5 to 75 kW with integrated thrust bearing. Pump casing with axial suction and radial delivery on top, main dimensions and performance according to EN 733 with additional sizes for completion. NM(S)4: version with pump casing and lantern bracket in cast iron. B-NM(S)4: version with pump casing and lantern bracket/casing cover in bronze. (the pumps are supplied fully painted).

## Connections

Sizes	Connections
NM4 25/...	Threaded ports ISO 228
from NM4 32/.. to NMS4 150/..	Flanges according to PN 10, EN 1092-2

## Counter-flanges (on request)

Sizes	Flanges
from NM4 32/.. to NM4 50/..	Screwed flanges EN 1092-1, PN 16
from NM4 32/.. to NMS4 150/..	Flanges for welding EN 1092-1, PN 10

## Version with frequency converter (on request)

## Applications

For clean liquids without abrasives, which are non-aggressive for the pump materials (contents of solids up to 0,2%). For water supply. For heating, air conditioning, cooling and circulation plants. For civil and industrial applications. When low noise operating is required. For irrigation.

## Operating conditions

Liquid temperature from -10 °C to +90 °C.  
 Ambient temperature up to 40 °C.  
 Total suction lift up to 7 m.  
 Maximum permissible working pressure up to 10 bar (16 bar for NM4 40/16,20; NM4 50/16; NM4 65/16,20,25; NM(S)4 80/16,20,25,31,400; NM4 100/20).  
 Continuous duty.

## Motor

4-pole induction motor, 50 Hz (n ≈ 1450 rpm).  
**NM4, NMS4:** three-phase 230/400 V ± 10% up to 3 kW; 400/690 V ± 10% from 4 to 75 kW.  
 Insulation class F. Protection IP 54 (IP 55 for NMS4).  
 Motor suitable for operation with frequency converter from 0,75 kW.  
**Classification scheme IE3 for three-phase motors from 0,75 kW.**  
 Constructed in accordance with: EN 60034-1; EN 60034-30-1.

## Special features on request

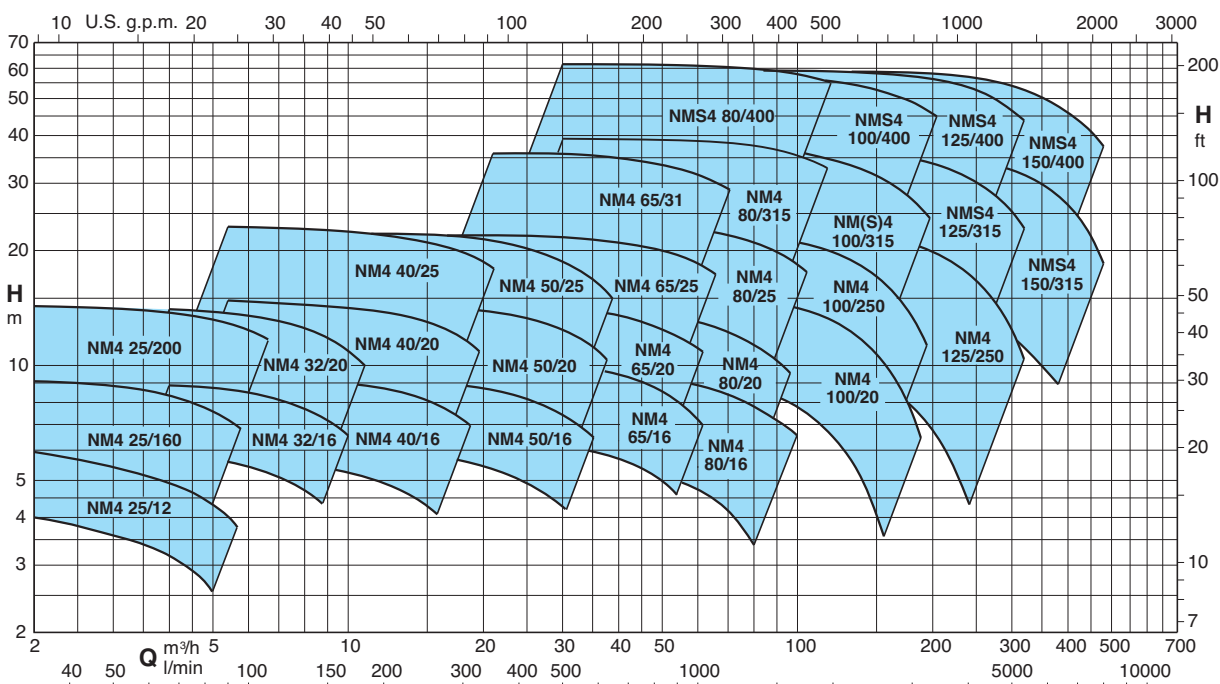
- Other voltages. - Frequency 60 Hz (as per 60 Hz data sheet).
- Protection IP 55. - Special mechanical seal.
- Higher or lower liquid or ambient temperatures.
- Motor suitable for operation with frequency converter up to 0,55 kW.

The electropumps NM4, B-NM4, NMS4, B-NMS4 series comply with the European Regulation no. 547/2012.

## Materiali

Components	NM4, NMS4	B-NM4, B-NMS4
Pump casing	Cast iron	Bronze
Lantern bracket NM4	GJL 200 EN 1561	G-Cu Sn 10 EN 1982
Casing cover for NMS4		
Lantern bracket NMS4	Cast iron GJL 200 EN 1561	
Impeller	Cast iron GJL 200 EN 1561	Bronze G-Cu Sn 10 EN 1982
	Brass P-Cu Zn 40 Pb 2 UNI 5705	
	For NM4 25/125 - 25/160 - 25/200 - NM4 32/16 - 32/20 - 40/20	
Shaft	Cr-Ni steel AISI 303	Cr Ni Mo steel
	AISI 430 from 1,5 kW to 15 kW	AISI 316
Mechanical seal	Carbon - Ceramic - NBR	
Counter-flanges	Steel Fe 430B UNI 7070	

## Coverage chart n ≈ 1450 rpm



### Pumps with frequency converter

The **NM4 EI** pumps are available with power from 0,25 kW up to 30 kW, the pumps are equipped with **I-MAT** installed on board which allows to realize a variable-speed system extremely compact and efficient, ideal in applications of water supply and in the distribution of hot and cold water.

The pump is equipped with transducers suitable for operation and is already programmed at the factory.

#### Advantages

- Energy saving
- Compact design
- Easy to use
- Programmable to suit the system requirements
- Reliability

#### Costruction

The system comprises of:

- Pump
- Induction motor
- I-MAT Frequency converter
- Motor adapter for the motor mounting of the frequency converter
- Connection cable between frequency converter and induction motor
- Transducers

#### Main features

Rated motor power output from 0,25 kW to 30 kW

Control range from 870 to 1450 rpm (4-pole)

Protection against dry running

Protection against operations with closed valve ports

Protection against system leakages

Protection against overcurrent in the motor

Protection against overvoltage and undervoltage of the power supply

Protection against current unbalances between phases

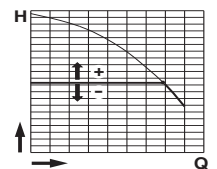


### Operating modes



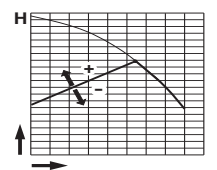
#### Constant pressure mode with pressure transducer

In this mode, the system maintains the preset pressure when the flow required by the installation changes.



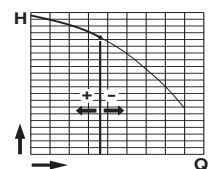
#### Proportional pressure mode with pressure transducer

In this mode the system changes the working pressure according to the required flow rate.



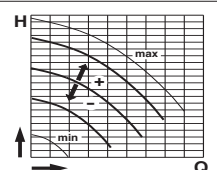
#### Constant flow mode with flow meter

In this mode the system maintains a constant flow rate value in a point of the installation according to the required pressure.



#### Fixed speed mode with setting of the speed preferential rotation.

In this mode, by changing the working frequency, you may choose any operational curve included within the working range.



#### Constant temperature mode with temperature transducer

In this mode the system keeps the temperature constant inside a system by changing the speed of the pump.



### Performance n ≈ 1450 rpm

B-NMS4	NM4 - NMS4	P <sub>2</sub>		Q m <sup>3</sup> /h l/min	Flow Rate																			
		kW	HP		48	54	60	66	75	84	96	108	120	132	150	168	180	192	210	240	270	300	330	
					800	900	1000	1100	1250	1400	1600	1800	2000	2200	2500	2800	3000	3200	3500	4000	4500	5000	5500	
B- NM4 100/20C/A	NM4 100/20C/A	3	4	H m	9,4	9,3	9,2	9,1	8,9	8,5	8	7,3	6,5	5,6	4									
B- NM4 100/20B/A	NM4 100/20B/A	4	5,5		12	11,9	11,8	11,7	11,5	11,2	10,7	10	9,3	8,4	6,7	4,5								
B- NM4 100/20A/C	NM4 100/20A/C	5,5	7,5		15,2	15,2	15,1	15	14,9	14,7	14,3	13,8	13,1	12,2	10,7	9	7,5*	6*						
B- NMS4 100/250B/A	NM4 100/25B/B	7,5	10		19,5	19,5	19,4	19,3	19	18,7	18,2	17,5	16,6	15,6	13,8	11,7	10	8,4	5,5					
B- NMS4 100/250A/A	NM4 100/25A/B	9,2	12,5		22,3	22,3	22,2	22,1	21,9	21,7	21,2	20,5	19,8	18,8	17,1	15	13,4	11,7	8,9					
B- NMS4 100/315C/A	NM4 100/31C	11	15		26,9	26,9	26,8	26,6	26,2	25,7	24,9	23,8	22,7	21,3	18,9	15,9	13,7	11,3*						
B- NMS4 100/315B/A	NM4 100/31B	15	20		31,5	31,5	31,4	31,3	31,2	30,8	30,2	29,3	28,2	26,9	24,6	21,8	19,8	17,6*	14*					
B- NMS4 100/315A/A	NMS4 100/315A/A	18,5	25		36,9	36,9	36,8	36,7	36,6	36,4	36	35,3	34,5	33,4	31,4	29	27,2	25,3*	22,2*					
B- NMS4 100/400C/A	NMS4 100/400C/A	22	30		41,3	41,2	41,1	41	40,7	40,4	39,8	39	38	36,5	34	31	28,7	26						
B- NMS4 100/400B/A	NMS4 100/400B/A	30	40		50,2	50,1	50	49,9	49,7	49,4	48,8	48	47,1	46	44	41,3	39,5	37	33,5*					
B- NMS4 100/400A/A	NMS4 100/400A/A	37	50	58,2	58,1	58	57,9	57,8	57,6	57,2	56,3	55,7	54,5	52,7	50,5	49	47	44*						

B-NMS4	NM4 - NMS4	P <sub>2</sub>		Q m <sup>3</sup> /h l/min	Flow Rate																			
		kW	HP		84	96	108	120	132	150	168	180	192	210	240	270	300	330	360	390	420	450	480	
					1400	1600	1800	2000	2200	2500	2800	3000	3200	3500	4000	4500	5000	5500	6000	6500	7000	7500	8000	
B- NMS4 125/250E/A	NM4 125/25E/B	5,5	7,5	H m	11	10,8	10,5	10,1	9,7	9,1	8,3	7,8	7,2	6,2	4,4									
B- NMS4 125/250D/A	NM4 125/25D/B	7,5	10		14	13,9	13,7	13,4	13	12,4	11,6	11	10,4	9,4	7,4	5,1								
B- NMS4 125/250C/A	NM4 125/25C/B	9,2	12,5		16,7	16,6	16,4	16,2	15,9	15,4	14,6	14,1	13,5	12,5	10,4	8,2	5,8							
B- NMS4 125/250B/A	NM4 125/25B	11	15		19,3	19,2	19,1	18,9	18,7	18,2	17,5	17	16,3	15,3	13,3	10,9	8,2							
B- NMS4 125/250A/A	NM4 125/25A	15	20		22,7	22,7	22,6	22,4	22,2	21,8	21,2	20,8	20,1	19,3	17,4	15	12,4	9,3						
B- NMS4 125/315C/A	NMS4 125/315C/A	18,5	25		27,9	27,8	27,7	27,6	27,2	26,5	25,6	24,9	24	22,8	20,2	17	13,5	9,5*						
B- NMS4 125/315B/A	NMS4 125/315B/A	22	30		31,8	31,7	31,6	31,5	31,1	30,6	29,7	29,1	28,5	27,3	24,9	22	18,5	14,3*						
B- NMS4 125/315A/A	NMS4 125/315A/A	30	40		36,8	36,8	36,7	36,6	36,4	35,9	35,2	34,7	34,2	33,2	31	28,4	25,3	21,6*						
B- NMS4 125/400C/A	NMS4 125/400C/A	37	50		45,4	45,3	45,2	45,1	44,9	44,4	43,7	43	42	40	37	33	28,5*	23,5*						
B- NMS4 125/400B/A	NMS4 125/400B/A	45	60		51,4	51,3	51,2	51,1	50,9	50,4	49,7	49	48,2	46,8	44	40,5	36*	31,5*						
B- NMS4 125/400A/A	NMS4 125/400A/A	55	75		59,2	59,1	59	58,9	58,7	58,2	57,7	57,2	56,7	55,7	53,5	50,5	46,5*	42,5*						
B- NMS4 150/315D/A	NMS4 150/315D/A	18,5	25						22,8	22,6	22,3	22	21,7	21,1	20	18,6	17	15,1	13	10,6	8*			
B- NMS4 150/315C/A	NMS4 150/315C/A	22	30						25,6	25,4	25,1	24,9	24,7	24,2	23,3	22	20,4	18,5	16,5	14,1	11,6*	8,9*		
B- NMS4 150/315B/A	NMS4 150/315B/A	30	40						30,6	30,6	30,5	30,3	30,1	29,7	29	27,9	26,5	24,9	23	20,8	18,3*	15,4*		
B- NMS4 150/315A/A	NMS4 150/315A/A	37	50						35,6	35,6	35,5	35,4	35,3	35,2	34,6	33,7	32,5	31	29,2	27,1	24,7*	21,8*	18,5*	
B- NMS4 150/400C/A	NMS4 150/400C/A	45	60						45	44,9	44,7	44,5	44	43,5	42,5	40,5	38,5	36	33,5	30,5	27*	23,5*	19,5*	
B- NMS4 150/400B/A	NMS4 150/400B/A	55	75					50,8	50,7	50,5	50,3	50	49,5	48,5	47	45	43	40,5	38	35*	32*	28,5*		
B- NMS4 150/400A/A	NMS4 150/400A/A	75	100					58,8	58,7	58,6	58,5	58,3	57,9	57	55,5	54	52	49,5	47	44*	41*	37,5		

NM4, NMS4 Standard construction.  
B-NM4, B-NMS4 Bronze construction.

P<sub>2</sub> Rated motor power output.  
H Total head in m.

\* Maximum suction lift 1-2 m.  
Tolerances according to UNI EN ISO 9906:2012

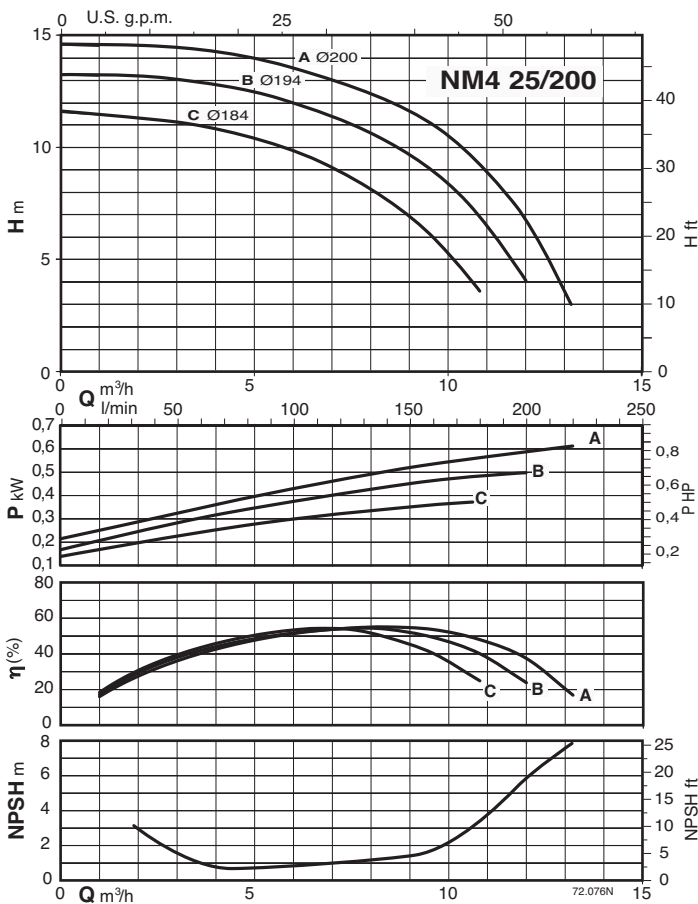
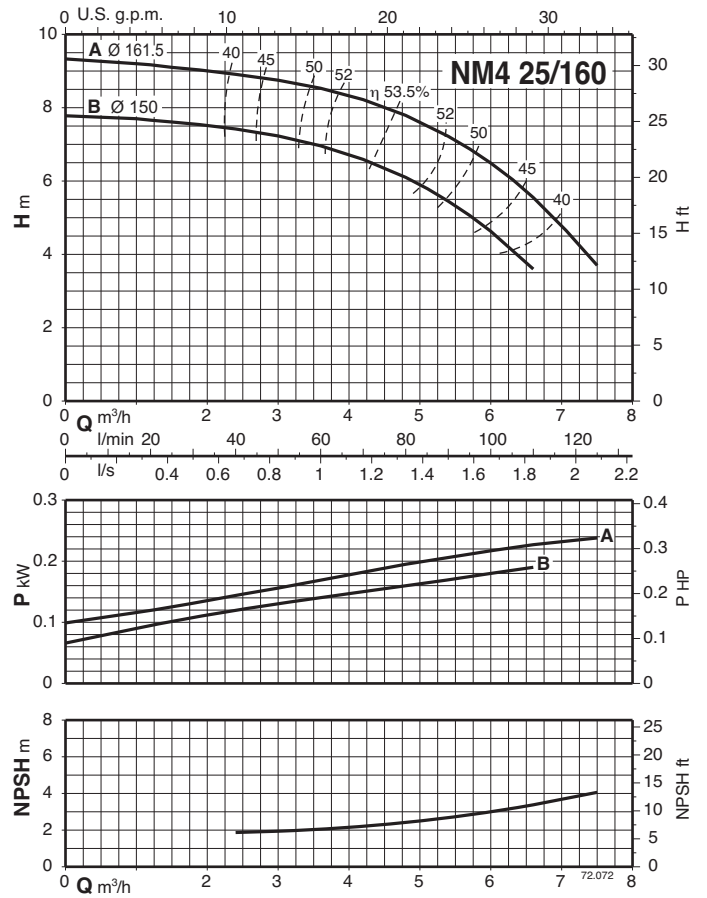
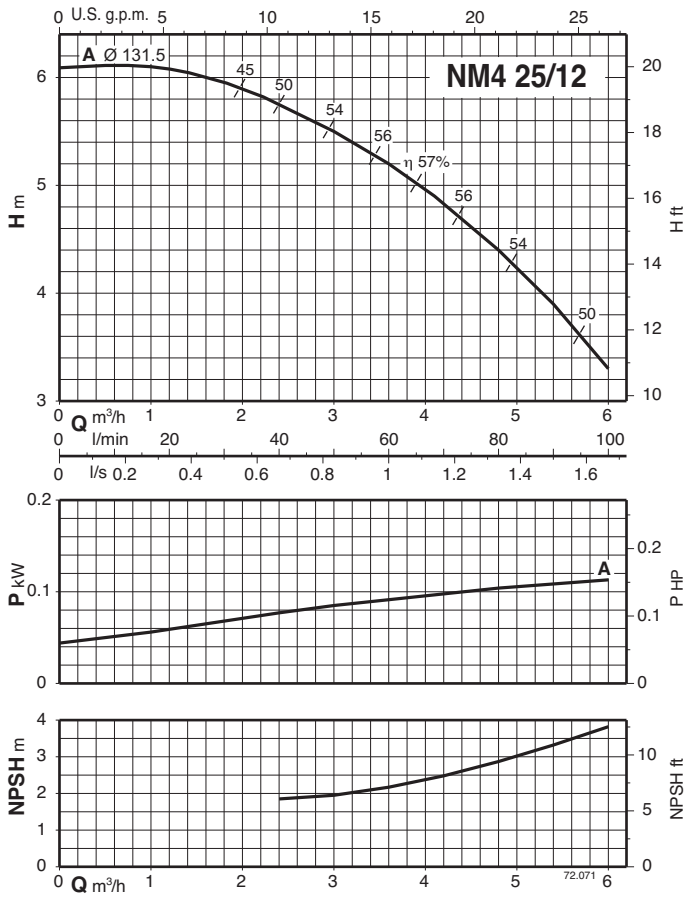
### Rated currents

P <sub>2</sub>		230 V Δ / 400 V Y		
kW	HP	In A	In A	IA/In
0,25	0,34	1,4	0,8	3,7
0,37	0,5	1,65	0,95	4,2
0,55	0,75	2,6	1,5	4,8
0,75	1	3,3	1,9	7,2
1,1	1,5	5	2,9	6,6
1,5	2	6	3,5	8,3
2,2	3	8,6	5	8,6
3	4	11,1	6,4	5,8

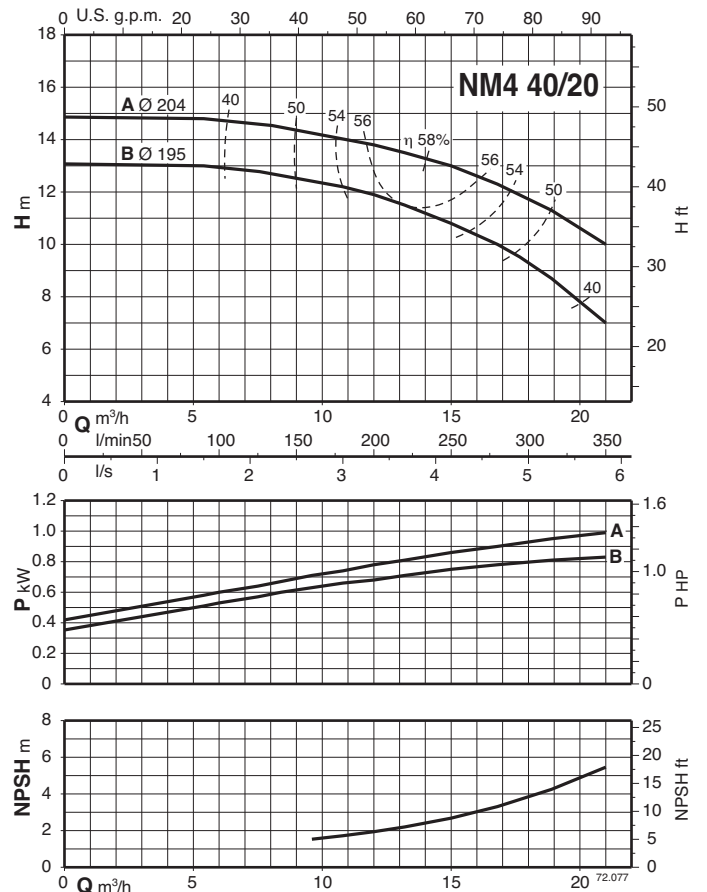
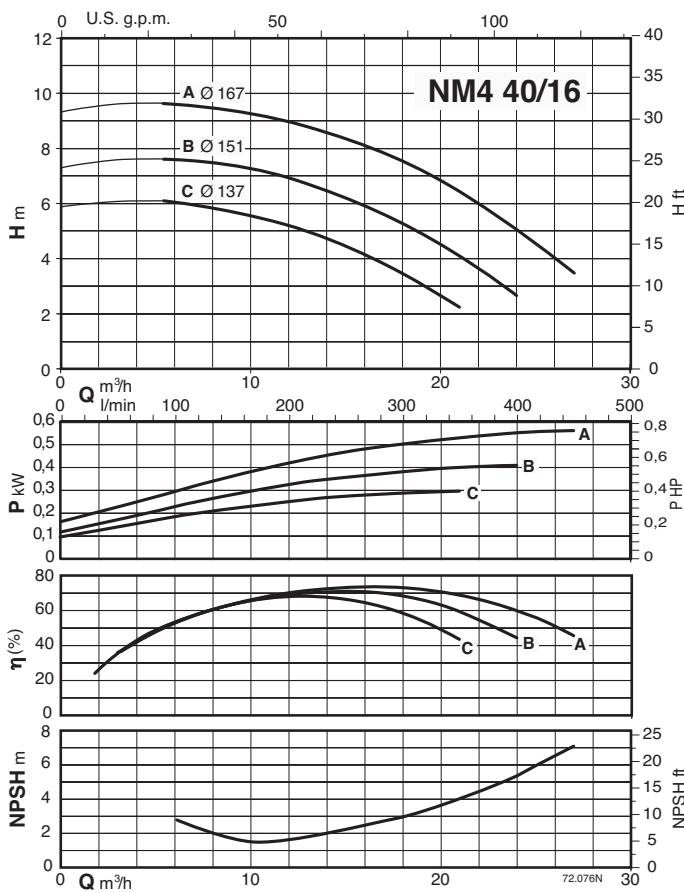
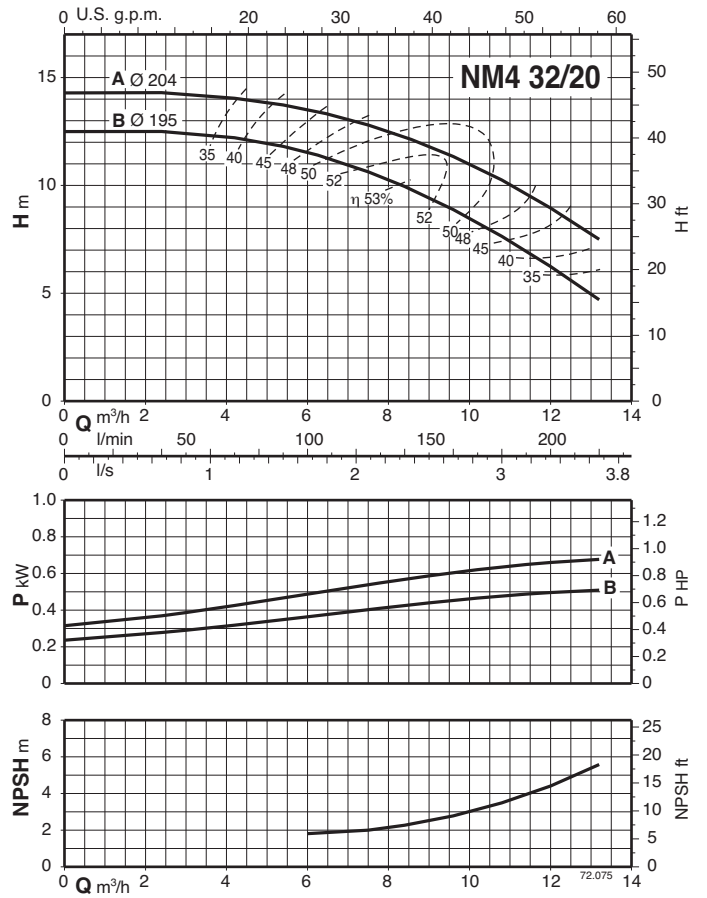
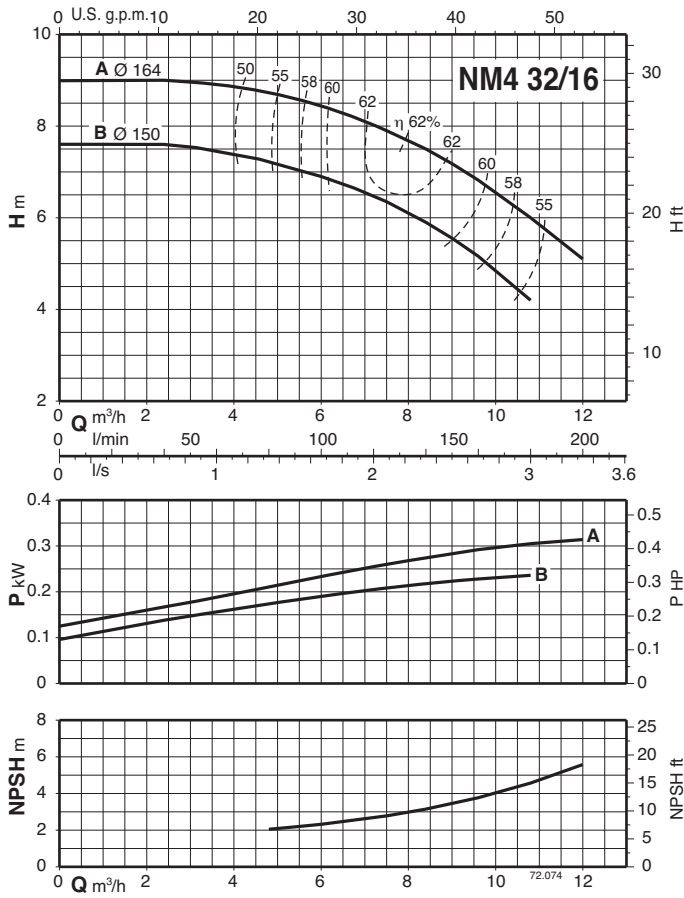
P <sub>2</sub>		400 V Δ / 690 V Y		
kW	HP	In A	In A	IA/In
4	5,5	8,3	4,8	7,2
5,5	7,5	12,5	7,2	7,2
7,5	10	16	9,2	7,1
9,2	12,5	20,5	11,8	7,4
11	15	22,5	13	9,6
15	20	29	16,7	9,1
18,5	25	35	20,5	7,2
22	30	41	24	6,8
30	40	55	32	7,3
37	50	66	38,5	6,4
45	60	80	46,5	6,4
55	75	96	56	6,8
75	100	133	77	6,9

P<sub>2</sub> Rated motor power output.  
IA/In D.O.L. starting current / Nominal current

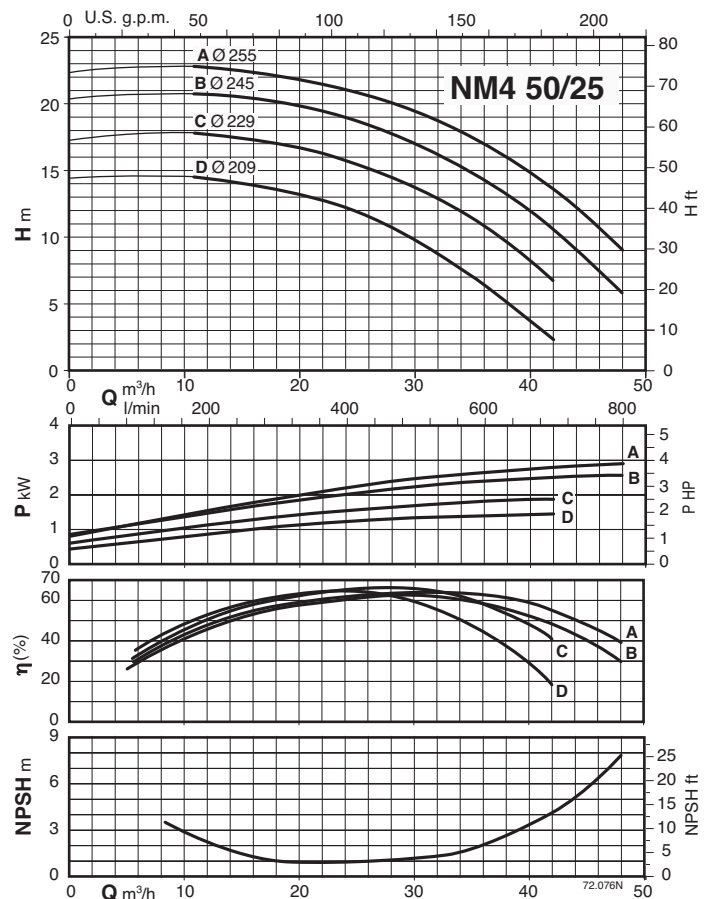
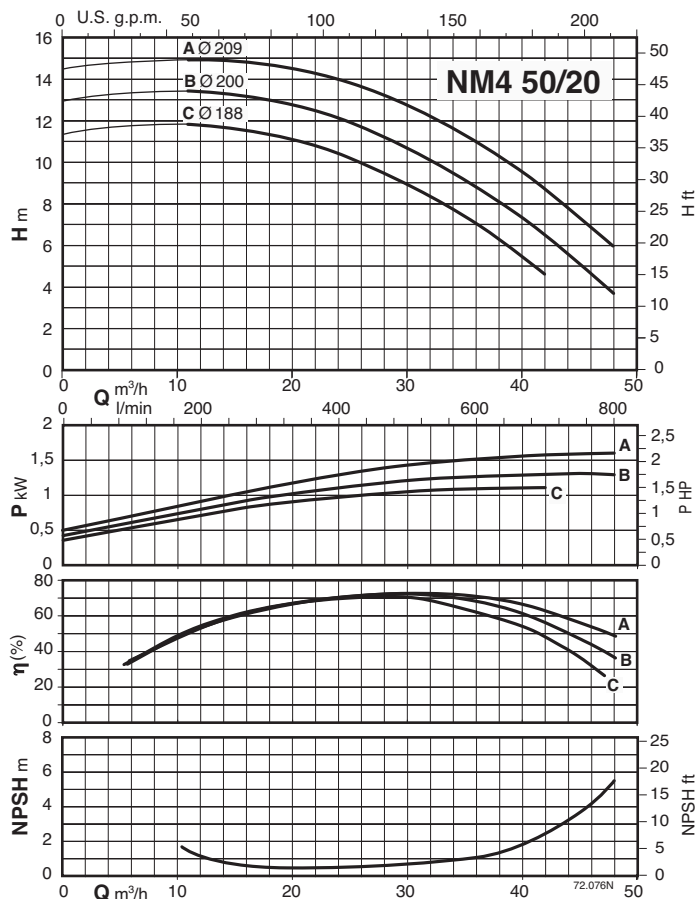
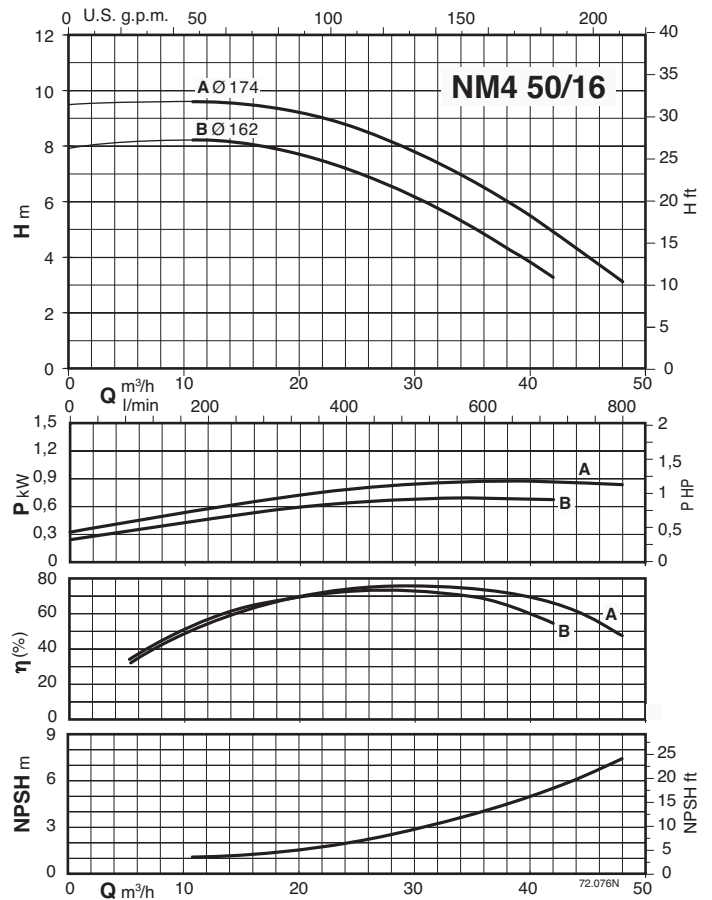
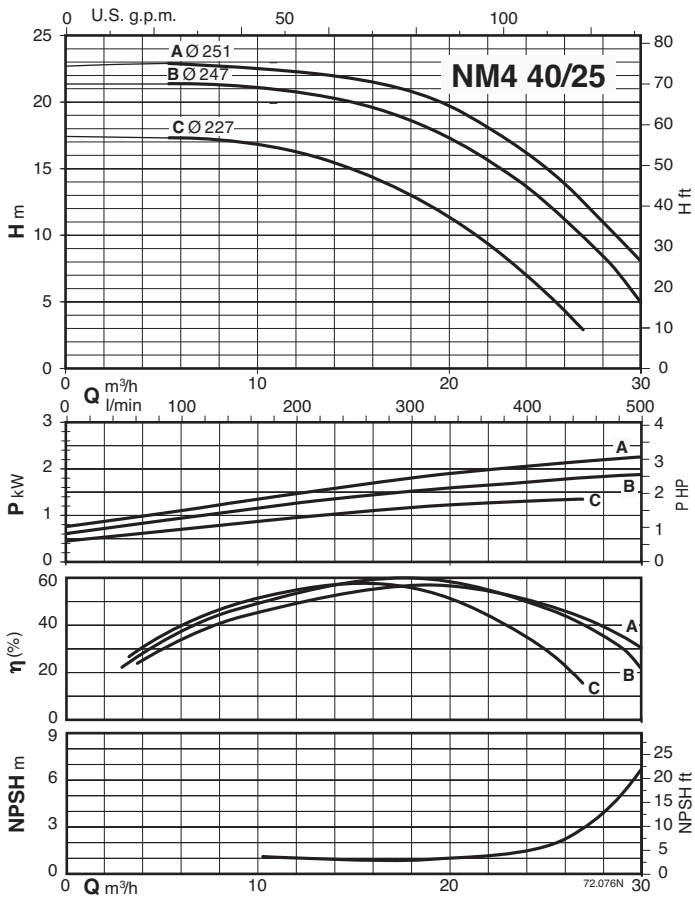
### Characteristic curves $n \approx 1450$ rpm



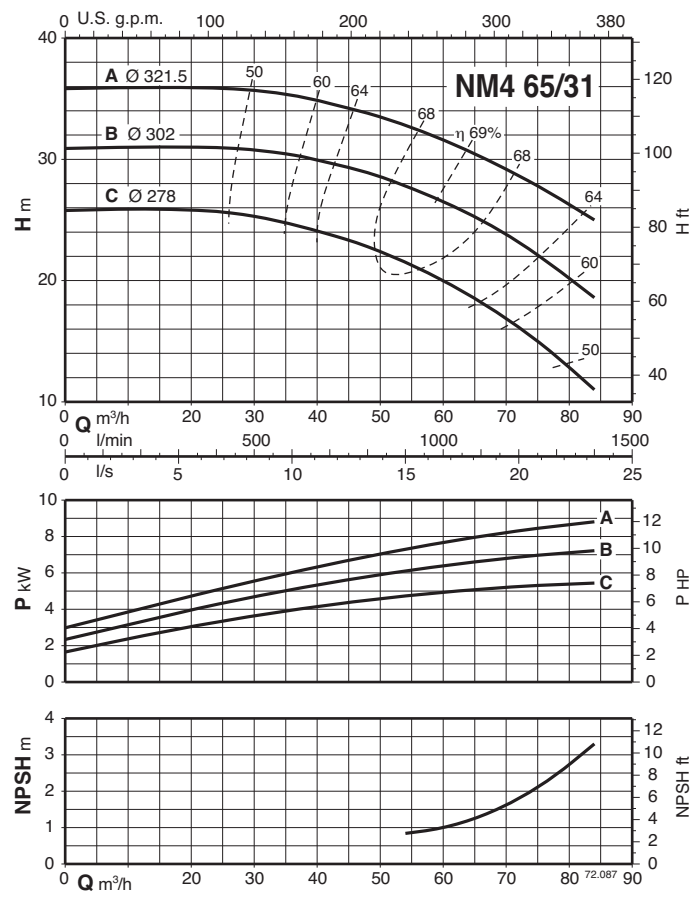
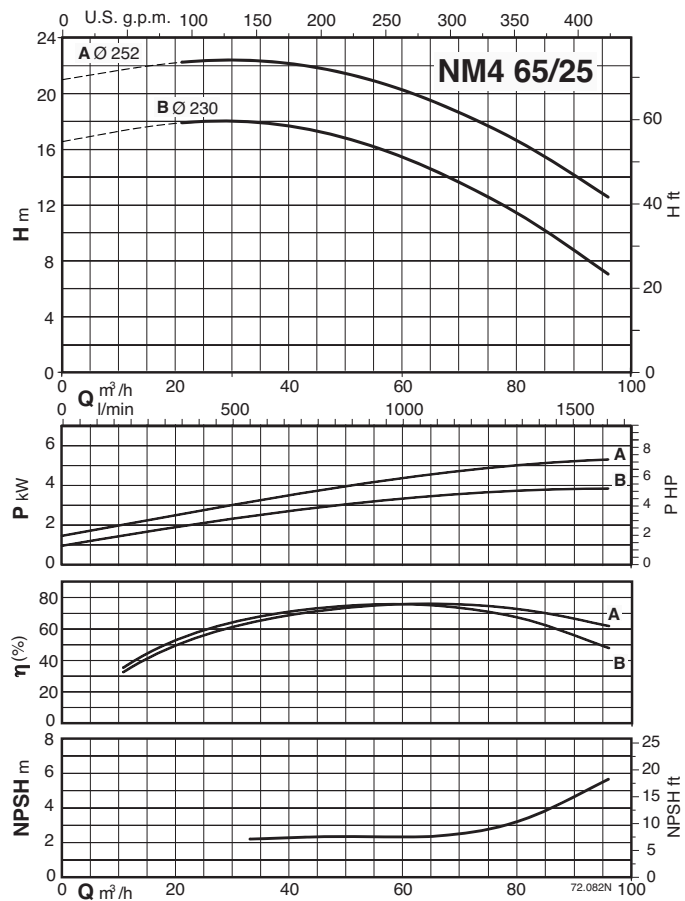
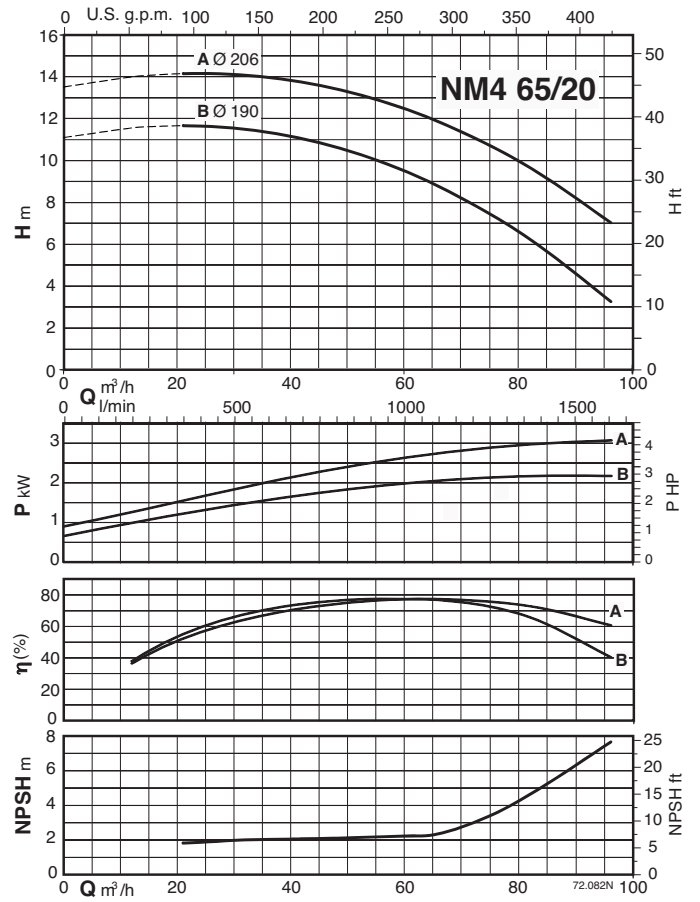
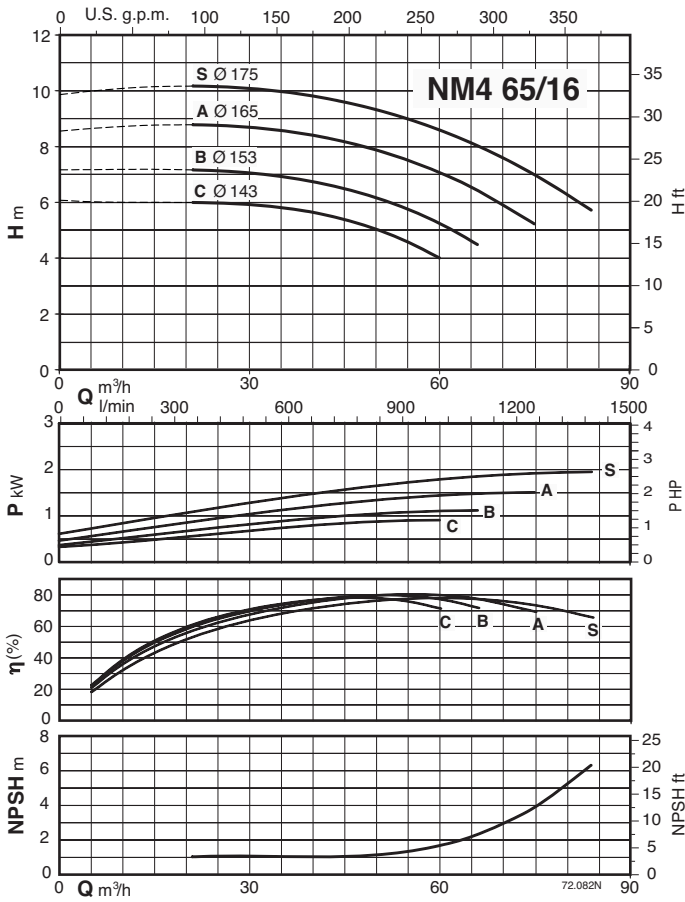
### Characteristic curves $n \approx 1450$ rpm



### Characteristic curves $n \approx 1450$ rpm

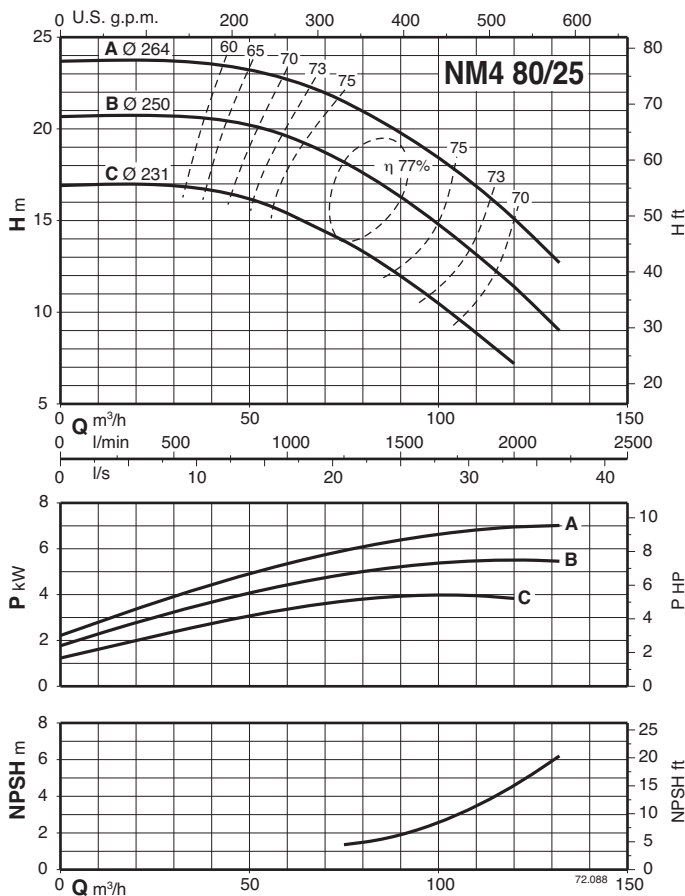
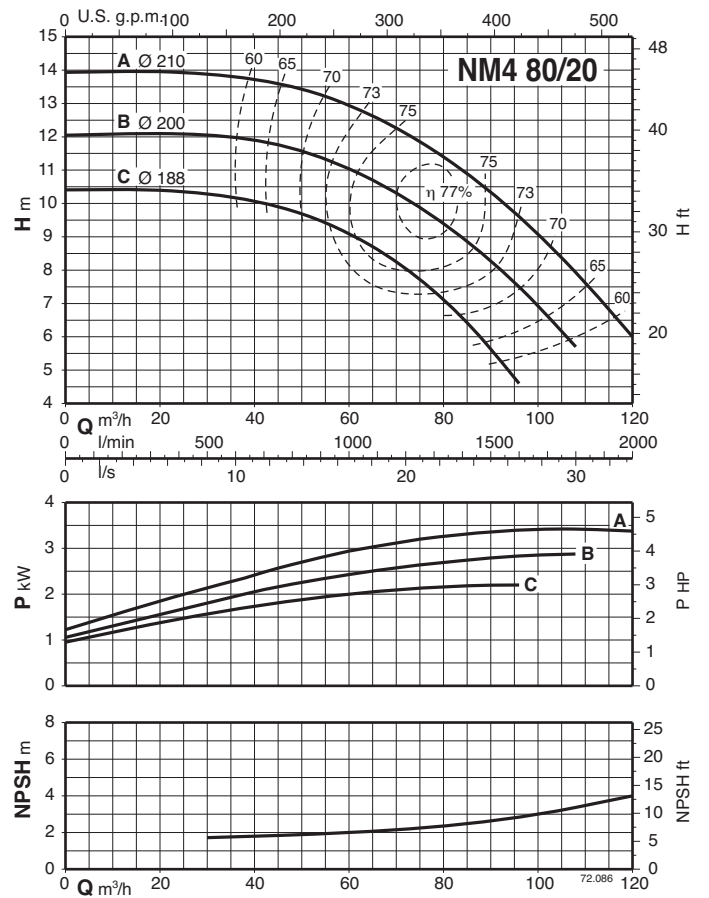
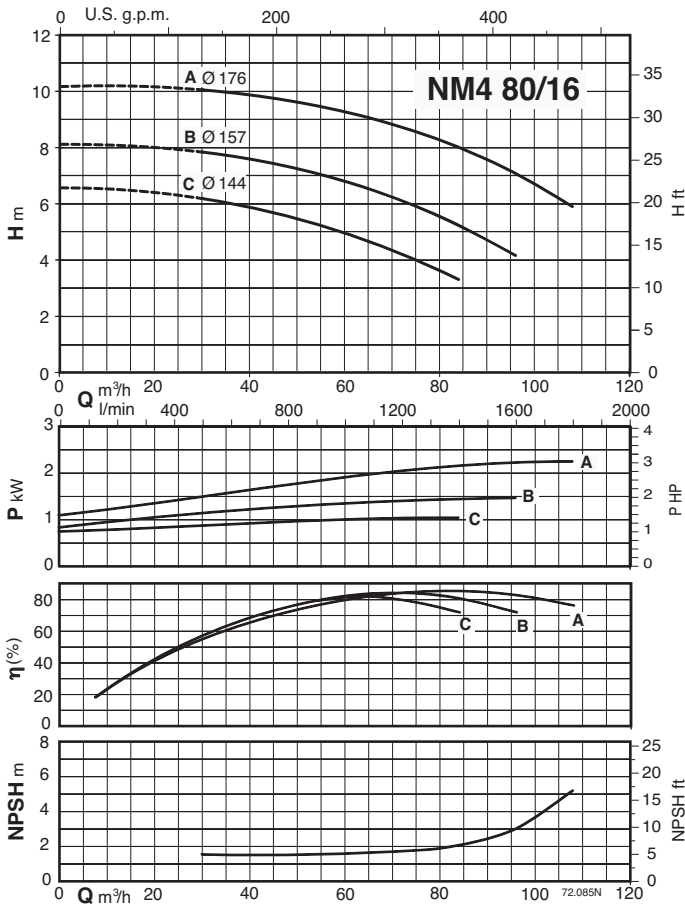


### Characteristic curves $n \approx 1450$ rpm

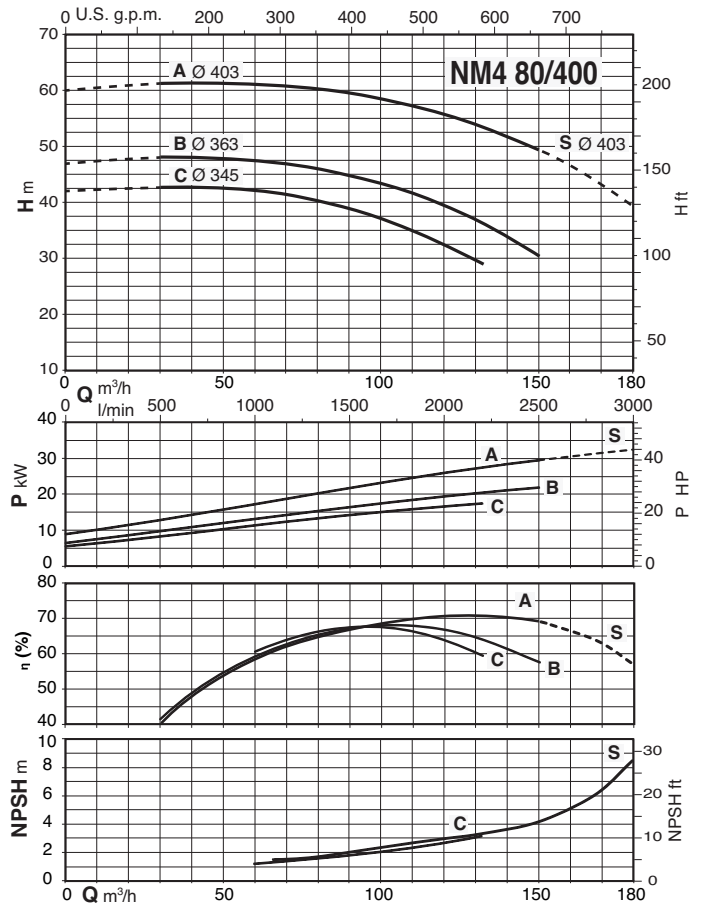
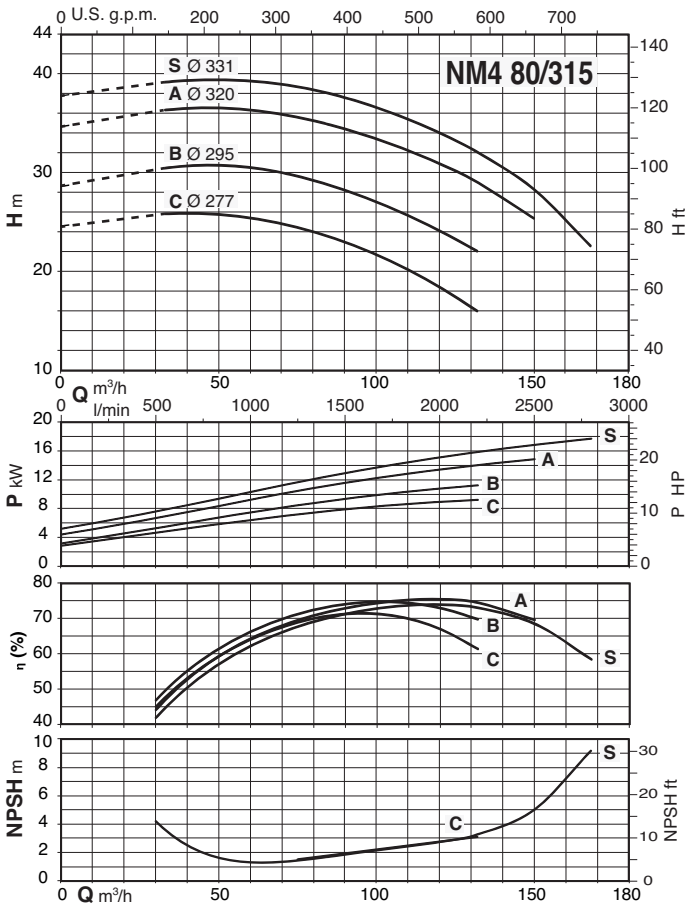




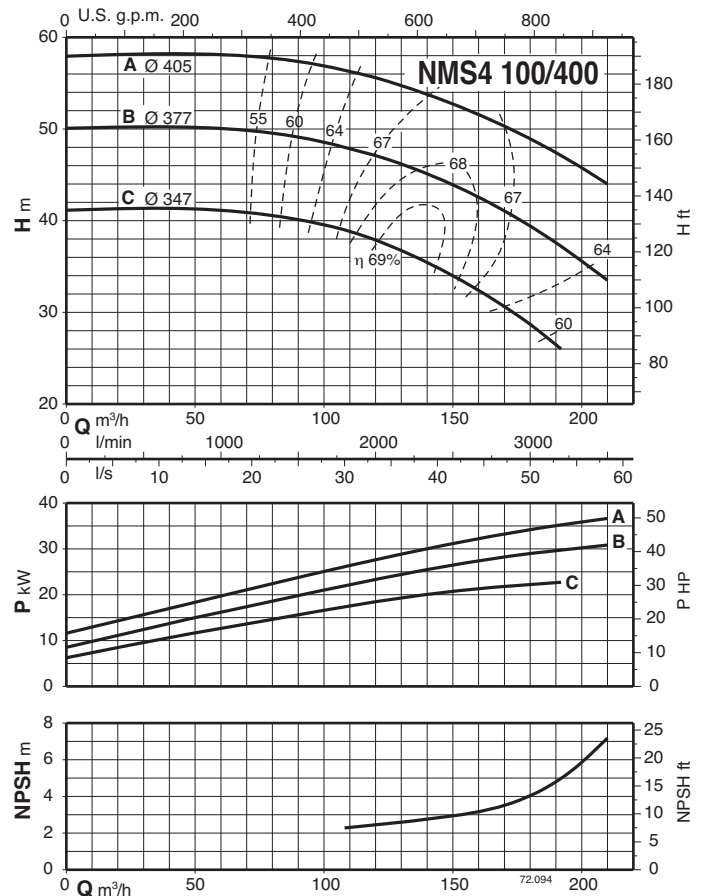
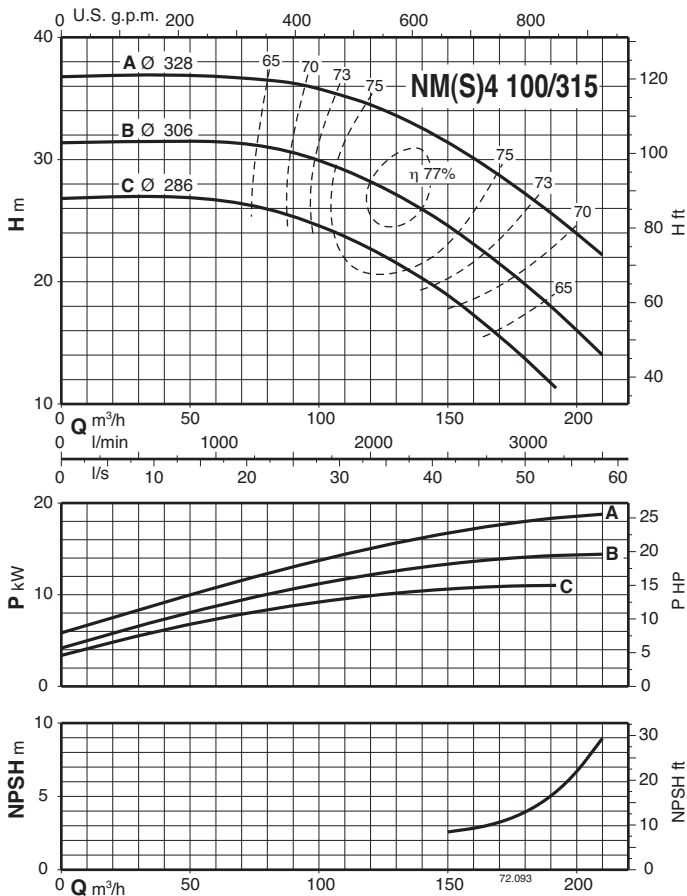
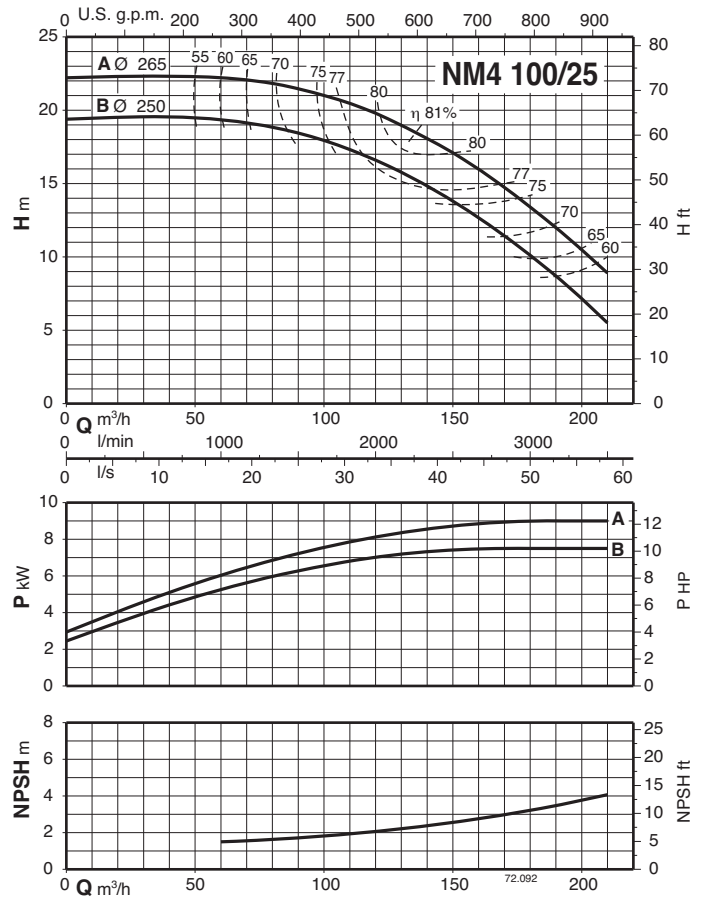
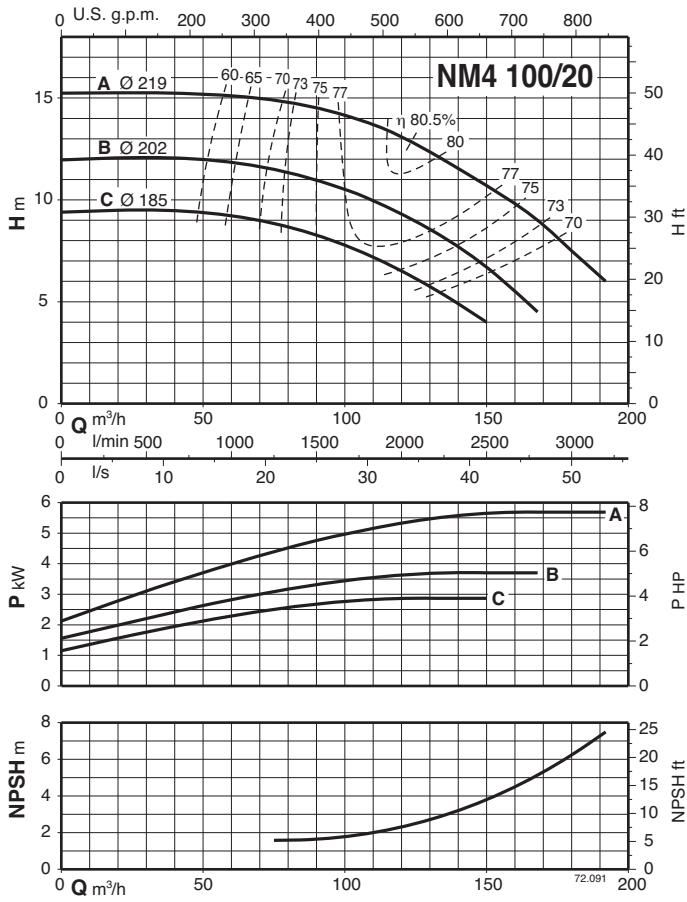
### Characteristic curves $n \approx 1450$ rpm



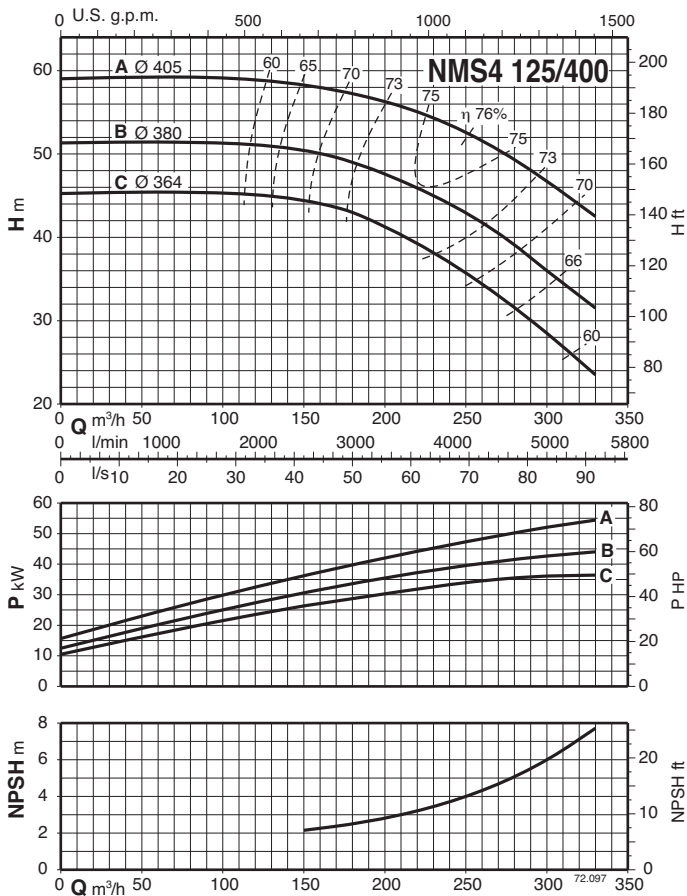
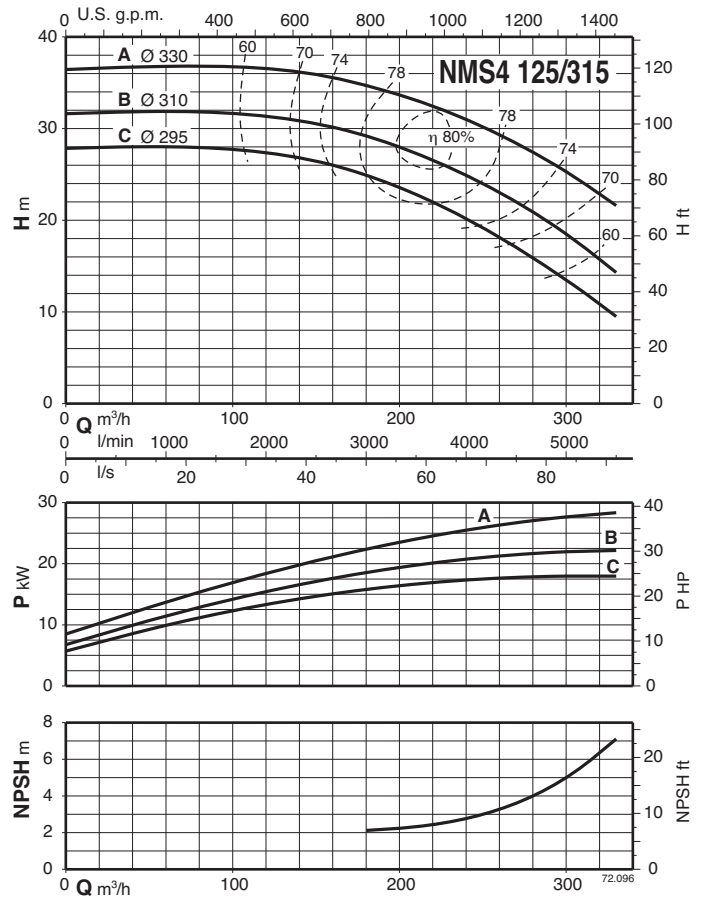
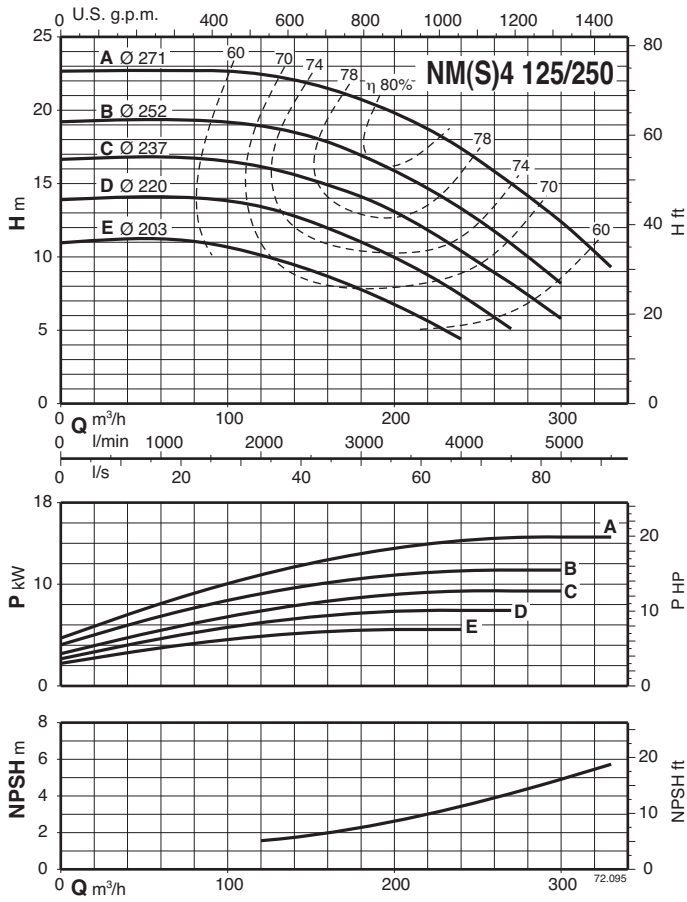
### Characteristic curves $n \approx 1450$ rpm



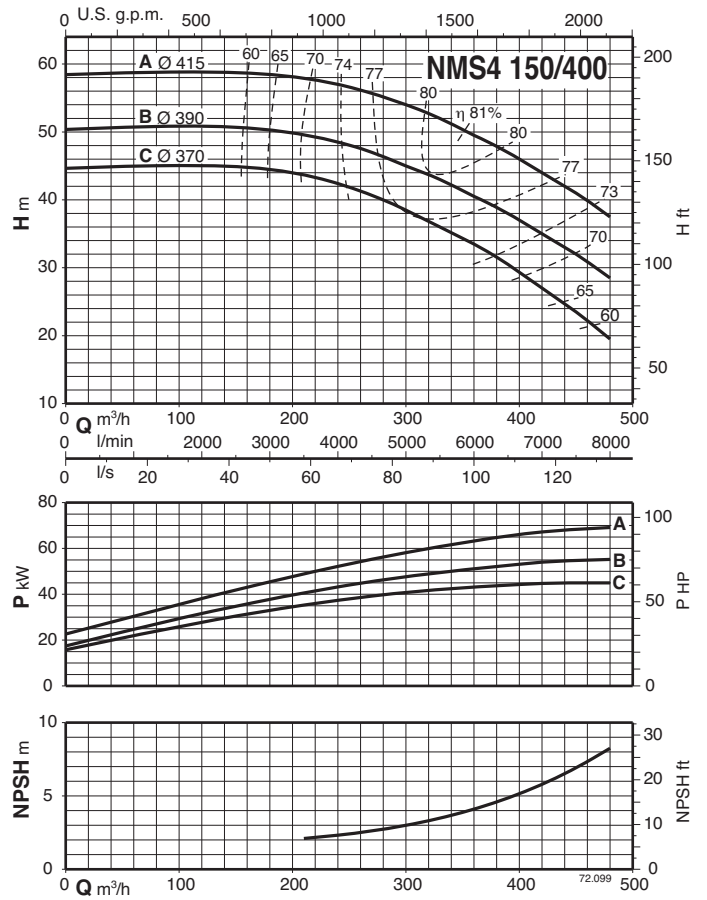
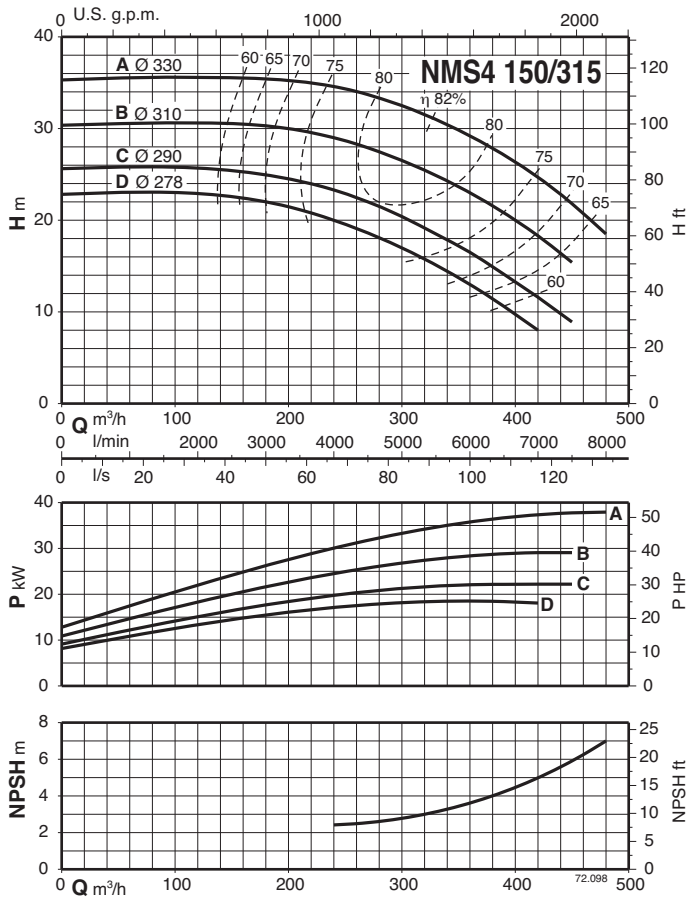
### Characteristic curves $n \approx 1450$ rpm



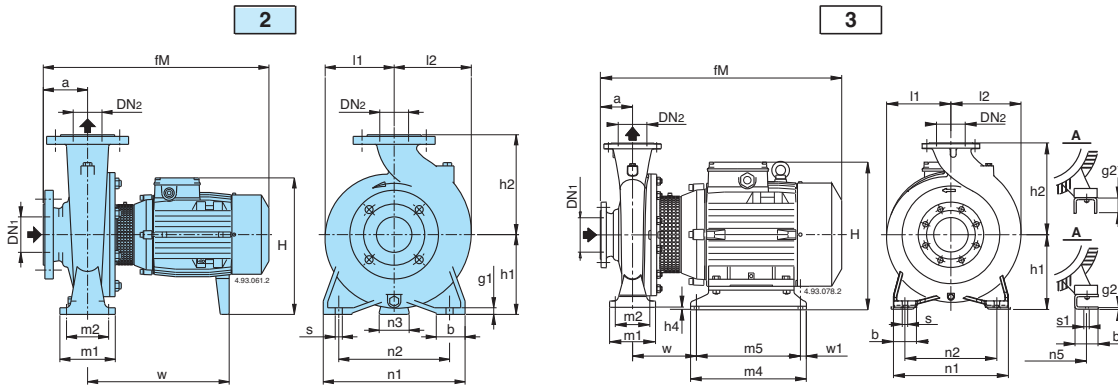
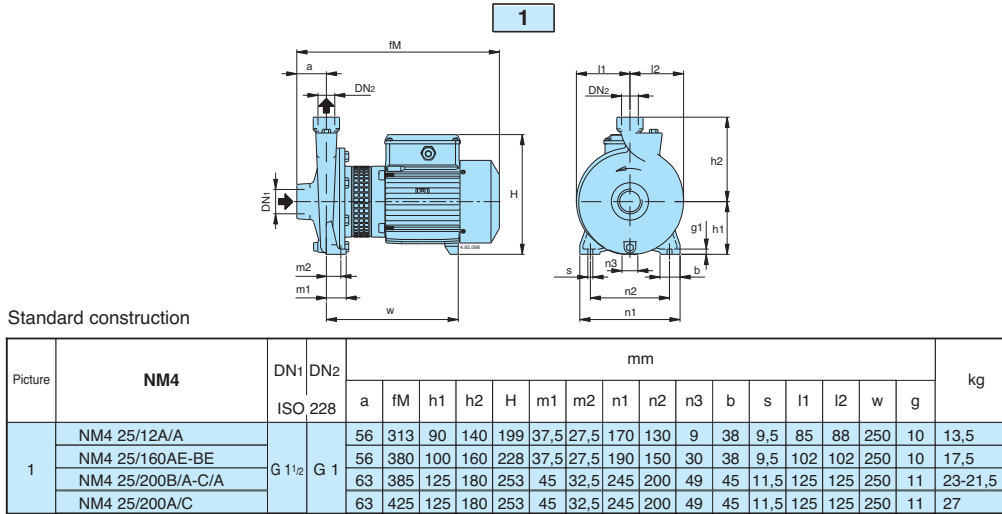
### Characteristic curves $n \approx 1450$ rpm



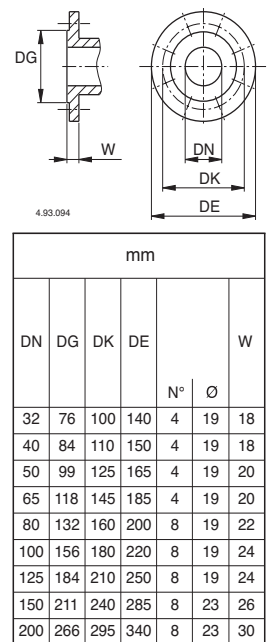
### Characteristic curves $n \approx 1450$ rpm



### Dimensions and weights

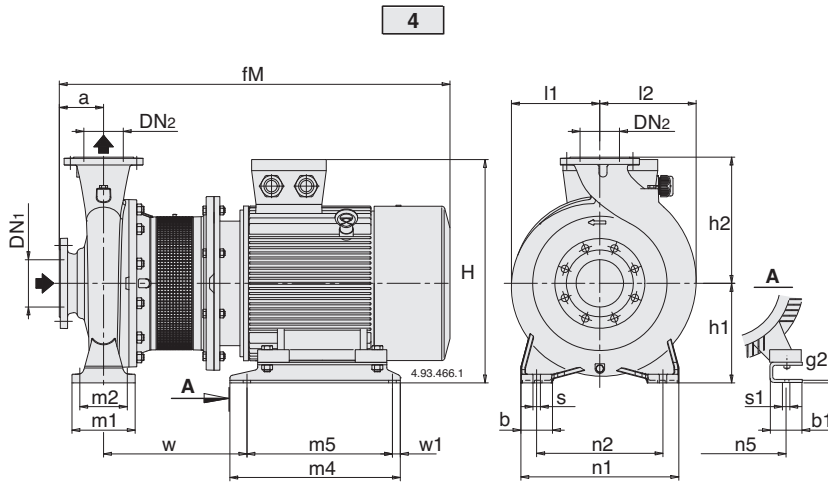


Picture	NM4	mm																							kg				
		DN1	DN2	a	fM	h1	h2	H	h4	m1	m2	n1	n2	n3	n5	w1	b	b1	s	s1	l1	l2	w	m4		m5	g1	g2	
2	NM4 32/16AE-BE	50	32	80	410	132	160	260	-	100	70	240	190	47	-	-	50	-	14	-	120	120	255	-	-	12	-	30,5-30	
	NM4 32/20BE NM4 32/20A/B	50	32	80	410 450	160	180	288	-	100	70	240	190	62	-	-	50	-	14	-	140	140	255	-	-	12	-	35 42	
	NM4 40/16B/A-C/A NM4 40/16A/C	65	40	80	410 450	132	160	268	-	100	70	240	190	47	-	-	50	-	14	-	121	121	255	-	-	10	-	32,4-30,6 39	
	NM4 40/20A/B-B/B	65	40	100	495	160	180	298	-	100	70	265	212	62	-	-	50	-	14	-	142	142	295	-	-	12	-	49,6-49	
	NM4 40/25C/C NM4 40/25A/B-B/C	65	40	100	495 528	180	225	308 340	-	125	95	320	250	60	-	-	65	-	14	-	175	175	300 279	-	-	15	-	67,7 78-76,6	
	NM4 50/16A/C-B/C	65	50	100	495	160	180	298	-	100	70	265	212	62	-	-	50	-	14	-	126	140	295	-	-	12	-	40-39,5	
	NM4 50/20B/C-C/C NM4 50/20A/C	65	50	100	505 528	160	200	288 320	-	100	70	265	212	62 60	-	-	50	-	14	-	140	153	310 279	-	-	14	-	52,5-44,5 57	
	NM4 50/25C/C-D/B NM4 50/25A/B-B/B	65	50	100	528	180	225	340	-	125	95	320	250	60	-	-	65	-	14	-	175	175	279	-	-	15	-	68 85,5-78	
	NM4 65/16A/C-B/C-C/C NM4 65/16S/A	80	65	100	495 528	160	200	288 320	-	125	95	280	212	62 60	-	-	65	-	14	-	140	161	300 279	-	-	12	-	53-49,3-48,7 62,3	
	NM4 65/20A/B-B/B	80	65	100	528	180	225	340	-	125	95	320	250	60	-	-	65	-	14	-	159	178	279	-	-	12	-	69-68,7	
	NM4 65/25B/C NM4 65/25A/B	80	65	100	543 645	200	250	360 385	-	160	120	360	280	60	-	-	80	-	18	-	179	195	294 405	-	-	15	-	97,4 118	
	NM4 65/31C-B-B/B NM4 65/31A/B	80	65	125	670 720	225	280	410	-	160	120	400	315	75	-	-	80	-	18	-	220	220	415 465	-	-	20	-	153-164 176	
	NM4 80/16B/C-C/B NM4 80/16A/C	100	80	125	520 553	180	225	308 340	-	125	95	320	250	62 60	-	-	65	-	14	-	153	181	300 279	-	-	12	-	59,6-55,6 69,8	
	NM4 80/20A/A-B/A-C/B	100	80	125	563	180	250	340	-	125	95	345	280	60	-	-	65	-	14	-	170	194	289	-	-	15	-	91-82-74,5	
	NM4 80/25C/A NM4 80/25B/A-B NM4 80/31C/B	100	80	125	563 670 720	200	280	360 385	-	160	120	400	315	60	-	-	80	-	18	-	191	210	289 415	-	-	20	-	102 124-135 181	
	3	NM4 80/31A-B	100	80	125	787	260	315	466	10	160	120	400	315	-	254	20	80	74	18	14	222	234	147	435	395	-	6	269-248
		NM4 100/20B/A-C/A NM4 100/20A/C	125	100	125	563 665	200	280	360 385	-	160	120	360	280	60	-	-	80	-	18	-	180	212	289 400	-	-	20	-	99-90 109
	2	NM4 100/25B/B NM4 100/25A/B	125	100	140	685 735	225	280	410	-	160	120	400	315	75	-	-	80	-	18	-	205	233	415 465	-	-	20	-	143 152
		NM4 100/31B-C	125	100	140	802	260	315	466	10	160	120	400	315	-	254	20	80	74	18	14	230	250	147	435	395	-	6	280-261
	2	NM4 125/25E/B-D/B NM4 125/25C/B	150	125	140	685 735	250	355	435	-	160	120	400	315	90	-	-	80	-	18	-	235	268	415 465	-	-	20	-	149-161 173
NM4 125/25A-B		150	125	140	802	260	355	466	10	160	120	400	315	-	254	20	80	74	18	14	235	268	147	435	395	-	6	261-243	

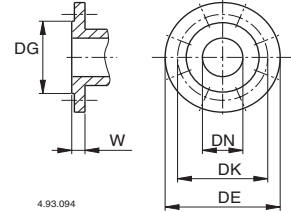




### Dimensions and weights



Flanges EN 1092-2



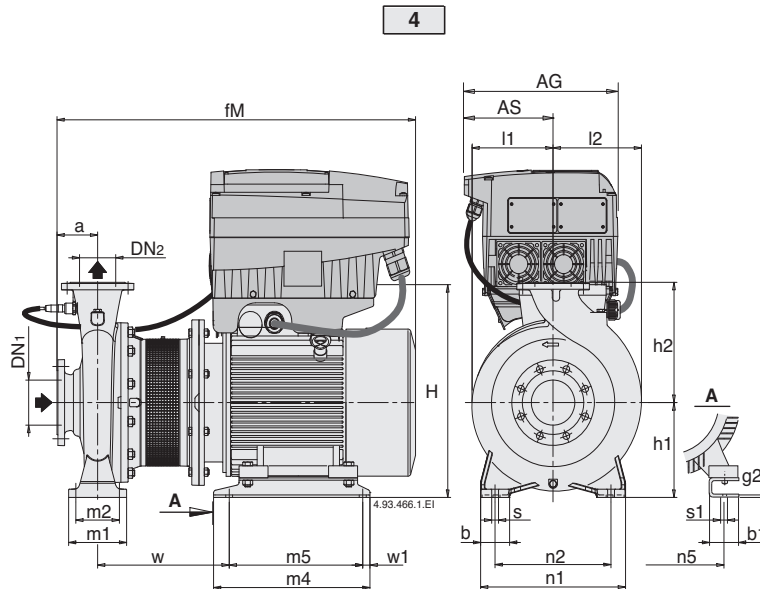
mm						
DN	DG	DK	DE	Holes		W
				N°	Ø	
32	76	100	140	4	19	18
40	84	110	150	4	19	18
50	99	125	165	4	19	20
65	118	145	185	4	19	20
80	132	160	200	8	19	22
100	156	180	220	8	19	24
125	184	210	250	8	19	24
150	211	240	285	8	23	26
200	266	295	340	8	23	30

Standard construction

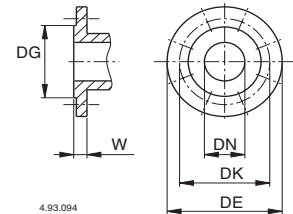
Picture	NMS4	mm																			kg				
		DN <sub>1</sub>	DN <sub>2</sub>	a	fM	h1	h2	H	m1	m2	n1	n2	n5	w1	b	b1	s	s1	l1	l2		w	m4	m5	g2
4	NMS4 80/315S	100	80	125	998	250	315	536	160	120	400	315	279	25	80	70	18	15	222	234	312	432	382	6	
	NMS4 80/400C/B	125	80	125	1003	280	355	566	160	120	435	355	279	25	80	70	18	15	268	269	318	520	435	6	339
	NMS4 80/400B/B	125	80	125	1003	280	355	566	160	120	435	355	279	25	80	70	18	15	268	269	318	520	435	6	355
	NMS4 80/400A/B	125	80	125	1051	280	355	595	160	120	435	355	318	25	80	83	18	19	268	269	334	540	455	6	413
	NMS4 80/400S	125	80	125	1118	280	355	618	160	120	435	355	356	55	80	103	18	19	268	269	380	540	460	8	490
	NMS4 100/315A/A	125	100	140	1013	250	315	536	160	120	400	315	279	25	80	70	18	15	230	250	312	432	382	6	308
	NMS4 100/400C/A	125	100	140	1018	280	355	566	200	150	500	400	279	25	100	70	22	15	268	280	318	520	435	6	366
	NMS4 100/400B/A	125	100	140	1066	280	355	595	200	150	500	400	318	25	100	83	22	19	268	280	334	540	455	6	419
	NMS4 100/400A/A	125	100	140	1138	280	355	618	200	150	500	400	356	55	100	103	22	19	268	280	385	540	460	8	506
	NMS4 125/315C/A	150	125	140	1018	280	355	566	200	150	500	400	279	25	100	70	22	15	247	278	318	520	435	6	331
	NMS4 125/315B/A	150	125	140	1018	280	355	566	200	150	500	400	279	25	100	70	22	15	247	278	318	520	435	6	350
	NMS4 125/315A/A	150	125	140	1066	280	355	595	200	150	500	400	318	25	100	83	22	19	247	278	334	540	455	6	409
	NMS4 125/400C/A	150	125	140	1138	315	400	653	200	150	500	400	356	25	100	103	22	19	280	305	410	540	461	8	524
	NMS4 125/400B/A	150	125	140	1198	315	400	653	200	150	500	400	356	25	100	103	22	19	280	305	410	540	461	8	574
	NMS4 125/400A/A	150	125	140	1237	315	400	725	200	150	500	400	406	25	100	100	22	24	280	305	454	540	461	8	665
	NMS4 150/315D/A	200	150	160	1038	280	400	566	200	150	550	450	279	25	100	70	22	15	260	298	318	520	435	6	349
	NMS4 150/315C/A	200	150	160	1038	280	400	566	200	150	550	450	279	25	100	70	22	15	260	298	318	520	435	6	374
	NMS4 150/315B/A	200	150	160	1086	280	400	595	200	150	550	450	318	25	100	83	22	19	260	298	334	540	455	6	421
	NMS4 150/315A/A	200	150	160	1158	280	400	618	200	150	550	450	356	55	100	103	22	19	260	298	385	540	460	8	501
	NMS4 150/400C/A	200	150	160	1218	315	450	653	200	150	550	450	356	25	100	103	22	19	295	328	410	540	461	8	594
NMS4 150/400B/A	200	150	160	1257	315	450	725	200	150	550	450	406	25	100	100	22	24	295	328	454	540	461	8	681	
NMS4 150/400A/A	200	150	160	1330	315	450	748	200	150	550	450	457	45	100	100	22	24	295	328	482	625	535	6	845	



### Dimensions and weights



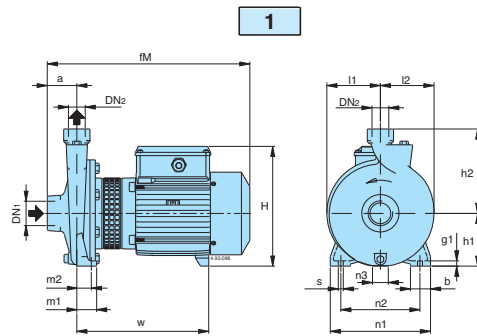
Flanges EN 1092-2



mm						
DN	DG	DK	DE	Holes		W
				N°	Ø	
32	76	100	140	4	19	18
40	84	110	150	4	19	18
50	99	125	165	4	19	20
65	118	145	185	4	19	20
80	132	160	200	8	19	22
100	156	180	220	8	19	24
125	184	210	250	8	19	24
150	211	240	285	8	23	26
200	266	295	340	8	23	30

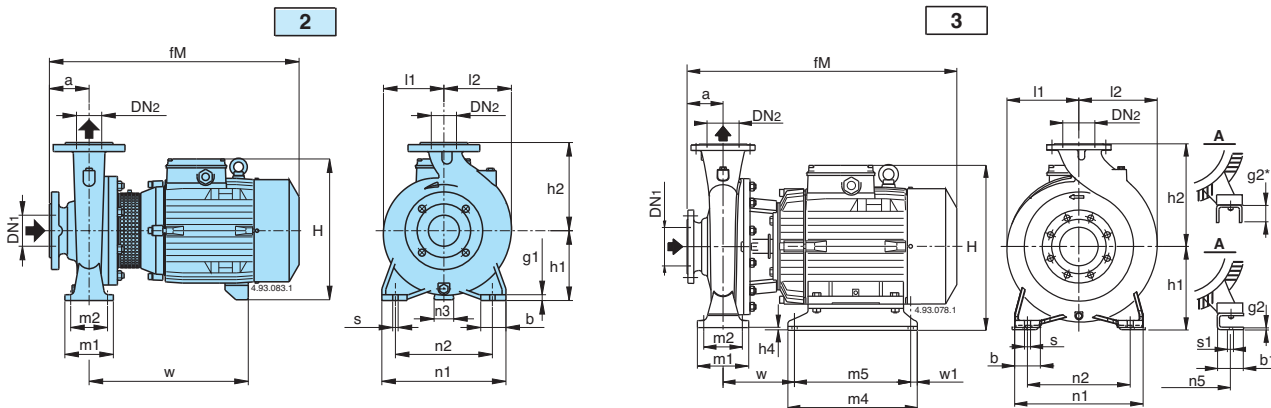
Picture	NMS4 EI	mm																				kg					
		DN <sub>1</sub>	DN <sub>2</sub>	a	fM	AG	AS	h1	h2	H	m1	m2	n1	n2	n5	w1	b	b1	s	s1	l1		l2	w	m4	m5	g2
4	NMS4 EI 80/315S	100	80	125	998	350	190	250	315	536	160	120	400	315	279	25	80	70	18	15	222	234	312	432	382	6	374
	NMS4 EI 80/400C/B	125	80	125	1003	350	190	280	355	566	160	120	435	355	279	25	80	70	18	15	268	269	318	520	435	6	390
	NMS4 EI 80/400B/B	125	80	125	1003	350	190	280	355	566	160	120	435	355	279	25	80	70	18	15	268	269	318	520	435	6	390
	NMS4 EI 80/400A/B	125	80	125	1051	350	190	280	355	595	160	120	435	355	318	25	80	83	18	19	268	269	334	540	455	6	448
	NMS4 EI 100/315A/A	125	100	140	1013	350	190	250	315	536	160	120	400	315	279	25	80	70	18	15	230	250	312	432	382	6	343
	NMS4 EI 100/400C/A	125	100	140	1018	350	190	280	355	566	200	150	500	400	279	25	100	70	22	15	268	280	318	520	435	6	401
	NMS4 EI 100/400B/A	125	100	140	1066	350	190	280	355	595	200	150	500	400	318	25	100	83	22	19	268	280	334	540	455	6	454
	NMS4 EI 125/315C/A	150	125	140	1018	350	190	280	355	566	200	150	500	400	279	25	100	70	22	15	247	278	318	520	435	6	366
	NMS4 EI 125/315B/A	150	125	140	1018	350	190	280	355	566	200	150	500	400	279	25	100	70	22	15	247	278	318	520	435	6	385
	NMS4 EI 125/315A/A	150	125	140	1066	350	190	280	355	595	200	150	500	400	318	25	100	83	22	19	247	278	334	540	455	6	444
	NMS4 EI 150/315D/A	200	150	160	1038	350	190	280	400	566	200	150	550	450	279	25	100	70	22	15	260	298	318	520	435	6	384
	NMS4 EI 150/315C/A	200	150	160	1038	350	190	280	400	566	200	150	550	450	279	25	100	70	22	15	260	298	318	520	435	6	409
	NMS4 EI 150/315B/A	200	150	160	1086	350	190	280	400	595	200	150	550	450	318	25	100	83	22	19	260	298	334	540	455	6	456
	NMS4 EI 150/315A/A	200	150	160	1158	350	190	280	400	618	200	150	550	450	356	55	100	103	22	19	260	298	385	540	460	8	536

### Dimensions and weights



Bronze construction B-NM4

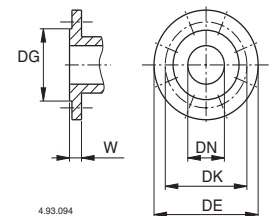
Picture	B-NM4	DN1 ISO 228	DN2	mm																kg
				a	fM	h1	h2	H	m1	m2	n1	n2	n3	b	s	l1	l2	w	g	
1	B-NM4 25/160AE-BE	G 1 1/2	G 1	56	380	100	160	228	37,5	27,5	190	150	30	38	9,5	102	102	250	10	19-19
	B-NM4 25/200B/A-C/A			63	400	125	180	253	45	32,5	245	200	49	45	11,5	125	125	250	11	25-23
	B-NM4 25/200A/C			63	445	125	180	253	45	32,5	245	200	49	45	11,5	125	125	303	11	29



Bronze construction B-NM4

Picture	B-NM4	DN1	DN2	a	fM	h1	h2	H	h4	m1	m2	n1	n2	n3	n5	w1	b	b1	s	s1	l1	l2	w	m4	m5	g1	g2	kg	
																													DN1
2	B-NM4 32/16A-B	50	32	80	410	132	160	260	-	100	70	240	190	47	-	-	50	-	14	-	120	120	255	-	-	12	-	38-38	
	B-NM4 32/20B	50	32	80	410	160	180	288	-	100	70	240	190	62	-	-	50	-	14	-	140	140	255	-	-	12	-	41	
	B-NM4 32/20A/A	50	32	80	450	160	180	288	-	100	70	240	190	62	-	-	50	-	14	-	140	140	255	-	-	12	-	45	
	B-NM4 40/16B-C	65	40	80	410	132	160	260	-	100	70	240	190	47	-	-	50	-	14	-	121	121	255	-	-	10	-	36,6-34,7	
	B-NM4 40/16A/B	65	40	80	450	132	160	260	-	100	70	240	190	47	-	-	50	-	14	-	121	121	255	-	-	10	-	43	
3	B-NM4 40/20A/B-B/B	65	40	100	495	160	180	298	-	100	70	265	212	62	-	-	50	-	14	-	142	142	295	-	-	12	-	55-55	
	B-NM4 4025/C/C	65	40	100	535	190	225	318	10	125	95	320	250	-	140	190	15	65	54	60	14	10	12	175	175	156	205	175	73
2	B-NM4 4025/A/B-B/C	65	40	100	560	190	225	350	10	125	95	320	250	-	140	190	15	65	60	14	10	12	175	175	125	280	250	89-73	
	B-NM4 50/16A/B-B/B	65	50	100	495	160	180	298	-	100	70	265	212	62	-	-	50	-	14	-	126	140	295	-	-	12	-	55-55	
	B-NM4 50/20B/C-C/C	65	50	100	505	160	200	288	320	-	100	70	265	212	62	60	-	50	-	14	-	140	153	310	279	-	14	-	-
3	B-NM4 50/20A/C	65	50	100	528	160	200	288	320	-	100	70	265	212	62	60	-	50	-	14	-	140	153	310	279	-	14	-	-
	B-NM4 5025/C/C-D/B	65	50	100	560	190	225	350	10	125	95	320	250	-	190	15	65	60	14	12	175	175	125	280	250	6	79,5		
2	B-NM4 5025/A/B-B/B	65	50	100	560	190	225	350	10	125	95	320	250	-	190	15	65	60	14	12	175	175	125	280	250	6	105-92		
	B-NM4 65/16A/C-B/C-C/C	80	65	100	495	160	200	306	320	-	125	95	280	212	62	60	-	65	-	14	-	140	161	300	279	-	12	-	60-57-66
	B-NM4 65/16S/A	80	65	100	528	160	200	306	320	-	125	95	280	212	62	60	-	65	-	14	-	140	161	300	279	-	12	-	69,8
	B-NM4 65/20A/A-B/A	80	65	100	528	180	225	340	-	125	95	320	250	60	-	-	65	-	14	-	159	179	279	-	-	12	-	-	
	B-NM4 65/25B/B	80	65	100	540	200	250	360	385	-	160	120	360	280	60	-	-	80	-	18	-	179	195	345	405	-	15	-	109
	B-NM4 65/25A/C	80	65	100	540	200	250	360	385	-	160	120	360	280	60	-	-	80	-	18	-	179	195	345	405	-	15	-	128
	B-NM4 65/31C/B-B/B	80	65	125	670	225	280	410	-	160	120	400	315	75	-	-	80	-	18	-	220	220	415	465	-	20	-	170..	
	B-NM4 65/31A/B	80	65	125	720	225	280	410	-	160	120	400	315	75	-	-	80	-	18	-	220	220	415	465	-	20	-	-	
	B-NM4 80/20A-B-C	100	80	125	560	180	250	340	-	125	95	345	280	60	-	-	65	-	14	-	170	194	340	-	-	15	-	97,2-89,7..	
	B-NM4 80/25A-C	100	80	125	565	200	280	360	-	160	120	400	315	60	-	-	80	-	18	-	191	210	335	-	-	20	-	115	
	B-NM4 80/31C	100	80	125	720	250	315	435	-	160	120	400	315	90	-	-	80	-	18	-	222	234	465	-	-	17	-	-	
	B-NM4 100/20B/A-C/A	125	100	125	565	200	280	360	385	-	160	120	360	280	60	-	-	80	-	18	-	180	212	330	400	-	20	-	109-103
B-NM4 100/20A/C	125	100	125	665	200	280	360	385	-	160	120	360	280	60	-	-	80	-	18	-	180	212	330	400	-	20	-	129	

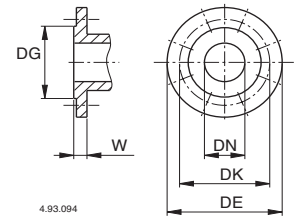
Flanges EN 1092-2



mm						
DN	DG	DK	DE	Holes		W
				N°	Ø	
32	76	100	140	4	19	18
40	84	110	150	4	19	18
50	99	125	165	4	19	20
65	118	145	185	4	19	20
80	132	160	200	8	19	22
100	156	180	220	8	19	24
125	184	210	250	8	19	24
150	211	240	285	8	23	26
200	266	295	340	8	23	30

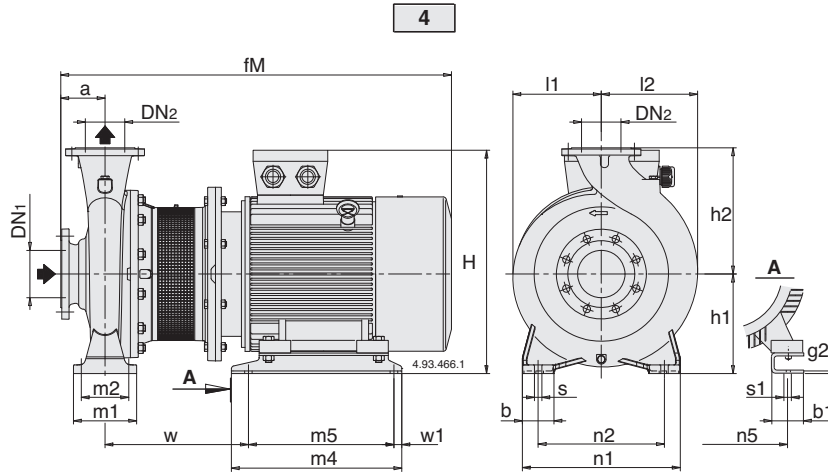
### Dimensions and weights

Flanges EN 1092-2



4.93.094

mm						
DN	DG	DK	DE	Holes		W
				N°	Ø	
32	76	100	140	4	19	18
40	84	110	150	4	19	18
50	99	125	165	4	19	20
65	118	145	185	4	19	20
80	132	160	200	8	19	22
100	156	180	220	8	19	24
125	184	210	250	8	19	24
150	211	240	285	8	23	26
200	266	295	340	8	23	30



Bronze construction **B-NM4**

Picture	B-NMS4	mm																				kg				
		DN1	DN2	a	fM	h1	h2	H	m1	m2	n1	n2	n5	w1	b	b1	s	s1	l1	l2	w		m4	m5	g2	
4	BNMS4 80/250A/A-B/A	100	80	125	807	200	280	387	160	120	400	315	216	20	80	69	18	12	191	210	322	298	258	6	181-171	
	BNMS4 80/315B/B	100	80	125	948	250	315	457	160	120	400	315	254	20	80	60	18	15	222	234	271	435	395	6		
	BNMS4 80/315A/B	100	80	125	948	250	315	457	160	120	400	315	254	20	80	60	18	15	222	234	271	435	395	6		
	BNMS4 80/315S	100	80	125	998	250	315	536	160	120	400	315	279	25	80	70	18	15	222	234	312	432	382	6		
	BNMS4 80/400C/B	125	80	125	1003	280	355	566	160	120	435	355	279	25	80	70	18	15	268	269	318	520	435	6		
	BNMS4 80/400B/B	125	80	125	1003	280	355	566	160	120	435	355	279	25	80	70	18	15	268	269	318	520	435	6		
	BNMS4 80/400A/B	125	80	125	1051	280	355	595	160	120	435	355	318	25	80	83	18	19	268	269	334	540	455	6		
	BNMS4 80/400S	125	80	125	1118	280	355	618	160	120	435	355	356	55	80	103	18	19	268	269	380	540	460	8		
	BNMS4 100/250B/A	125	100	140	822	225	280	412	160	120	400	315	216	20	80	69	18	12	205	233	322	298	258	6		192
	BNMS4 100/250A/A	125	100	140	872	225	280	412	160	120	400	315	216	20	80	69	18	12	205	233	322	298	258	6		206
	BNMS4 100/315C/A	125	100	140	966	250	315	457	160	120	400	315	254	20	80	60	18	15	230	250	274	435	395	6		284
	BNMS4 100/315B/A	125	100	140	966	250	315	457	160	120	400	315	254	20	80	60	18	15	230	250	274	435	395	6		300
	BNMS4 100/315A/A	125	100	140	1013	250	315	536	160	120	400	315	279	25	80	70	18	15	230	250	312	432	382	6		
	BNMS4 100/400C/A	125	100	140	1018	280	355	566	200	150	500	400	279	25	100	70	22	15	268	280	318	520	435	6		
	BNMS4 100/400B/A	125	100	140	1066	280	355	595	200	150	500	400	318	25	100	83	22	19	268	280	334	540	455	6		
	BNMS4 100/400A/A	125	100	140	1138	280	355	618	200	150	500	400	356	55	100	103	22	19	268	280	385	540	460	8		
	BNMS4 125/250D/A-E/A	150	125	140	822	250	355	437	160	120	400	315	216	20	80	69	18	12	235	268	322	298	258	6		
	BNMS4 125/250C/A	150	125	140	872	250	355	437	160	120	400	315	216	20	80	69	18	12	235	268	322	298	258	6		
	BNMS4 125/250B/A	150	125	140	951	250	355	457	160	120	400	315	254	20	80	60	18	15	235	268	259	435	395	6		265
	BNMS4 125/250A/A	150	125	140	951	250	355	457	160	120	400	315	254	20	80	60	18	15	235	268	259	435	395	6		273
	BNMS4 125/315C/A	150	125	140	1018	280	355	566	200	150	500	400	279	25	100	70	22	15	247	278	318	520	435	6		383
	BNMS4 125/315B/A	150	125	140	1018	280	355	566	200	150	500	400	279	25	100	70	22	15	247	278	318	520	435	6		395
	BNMS4 125/315A/A	150	125	140	1066	280	355	595	200	150	500	400	318	25	100	83	22	19	247	278	334	540	455	6		
	BNMS4 125/400C/A	150	125	140	1138	315	400	653	200	150	500	400	356	25	100	103	22	19	280	305	410	540	461	8		
	BNMS4 125/400B/A	150	125	140	1198	315	400	653	200	150	500	400	356	25	100	103	22	19	280	305	410	540	461	8		
	BNMS4 125/400A/A	150	125	140	1237	315	400	725	200	150	500	400	406	25	100	100	22	24	280	305	454	540	461	8		
	BNMS4 150/315D/A	200	150	160	1038	280	400	566	200	150	550	450	279	25	100	70	22	15	260	298	318	520	435	6		380
	BNMS4 150/315C/A	200	150	160	1038	280	400	566	200	150	550	450	279	25	100	70	22	15	260	298	318	520	435	6		395
BNMS4 150/315B/A	200	150	160	1086	280	400	595	200	150	550	450	318	25	100	83	22	19	260	298	334	540	455	6	467		
BNMS4 150/315A/A	200	150	160	1158	280	400	618	200	150	550	450	356	55	100	103	22	19	260	298	385	540	460	8	544		
BNMS4 150/400C/A	200	150	160	1218	315	450	653	200	150	550	450	356	25	100	103	22	19	295	328	410	540	461	8			
BNMS4 150/400B/A	200	150	160	1257	315	450	725	200	150	550	450	406	25	100	100	22	24	295	328	454	540	461	8			
BNMS4 150/400A/A	200	150	160	1330	315	450	748	200	150	550	450	457	45	100	100	22	24	295	328	482	625	535	6			

### Features

#### Cutting edge hydraulics

The geometry of the impeller and the pump casing are optimized to achieve maximum efficiency and the best suction capability.

#### Flexible

The option to choose between cast iron and bronze materials for the hydraulic parts in contact with the pumped liquid allows NM4 series pumps to be selected for use with different types of liquids.

#### Compact Design

The compact design allows for easy installation even in confined spaces.

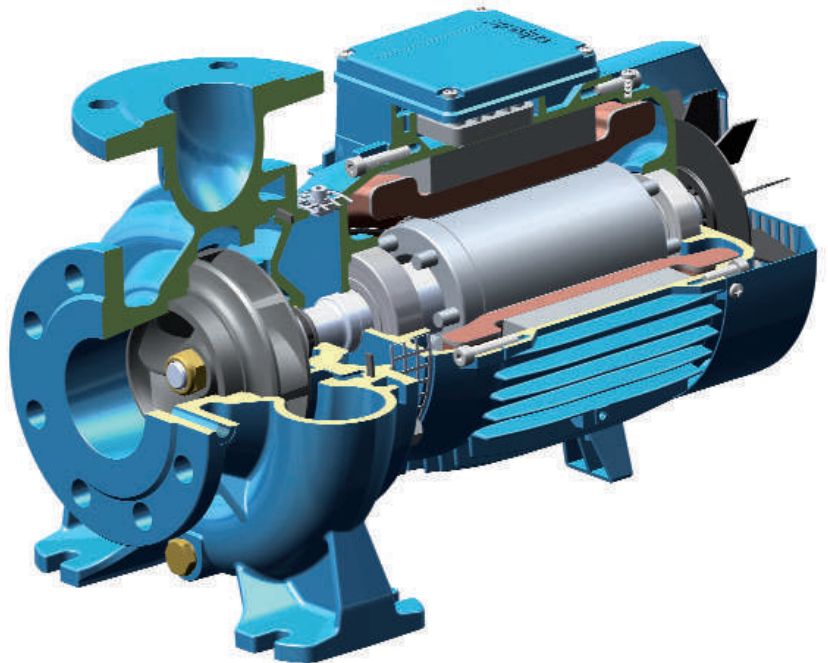
#### Exclusive design

An innovative, patented guard prevents contact with rotating parts, providing protection to the end user whilst allowing for inspection of the mechanical seal.

#### Reliable

The bearing and shaft are designed to ensure the reduction of the stress, providing high reliability under all operating conditions.

NM4S



#### Cutting edge hydraulics

The geometry of the impeller and the pump casing are optimized to achieve maximum efficiency and the best suction capability.

#### Flexibility

The option to choose between cast iron and bronze materials for the hydraulic parts in contact with the pumped liquid allows NMS4 series pumps to be selected for use with different types of liquids.

#### New lantern bracket construction

The lantern brackets incorporate a thrust bearing on the hydraulic side which guarantees the elimination of additional loads on the motor bearings. The flange is sized to be used with standard motors B35.

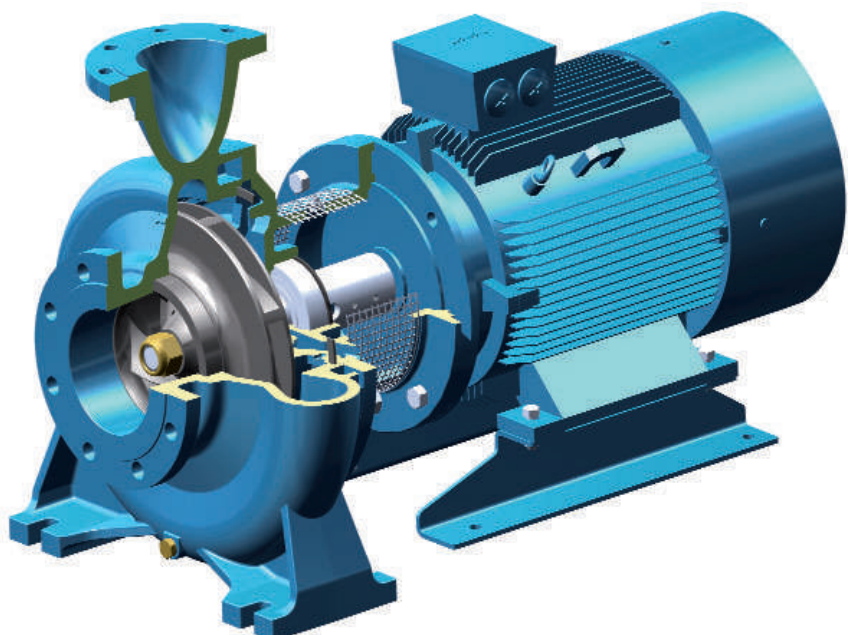
#### Exclusive design

An innovative, patented guard prevents contact with rotating parts, providing protection to the end user whilst allowing for inspection of the mechanical seal.

#### Simplified motor maintenance

The presence of the thrust bearing on the hydraulic side makes it easier to remove the motor, facilitating maintenance operations and eliminating the risks of damage to the hydraulic parts.

NMS



# N, N4

## End-Suction Centrifugal Pumps standardized EN 733



### Construction

Single-stage end-suction centrifugal pumps, with bearing bracket.

Nominal duty points and main dimensions in accordance with EN 733. Back Pull-Out construction, for simple and quick dismantling and reassembly.

N, N4: version with pump casing and lantern bracket in cast iron.  
B-N, B-N4: version with pump casing and lantern bracket in bronze.  
(the pumps are supplied fully painted).

Rated speed of rotation (50 Hz): **N** ≈ 2900 rpm.  
**N4** ≈ 1450 rpm.

**Connections:** PN 10 flanges EN 1092-2.

**Counter-flanges** (on request)

Sizes	Flanges
from 32-160 to 50-250	Screwed flanges PN 16 EN 1092-1
from 65-125 to 150-400	Flanges for welding PN 10 EN 1092-1

### Shaft sealing

- Standardized mechanical seal in accordance with ISO 3069.
- Stuffing box seal (on request).

### Applications

For clean liquids, without abrasives, which are non-aggressive for the pump materials (contents of solids up to 0.2%).

For water supply.

For heating, air conditioning, cooling and circulation plants.

For civil and industrial applications and for agriculture.

For fire fighting applications.

For irrigation.

### Operating conditions

Liquid temperature from -10 °C to +90 °C.

Ambient temperature up to 40 °C.

Total suction lift up to 7 m.

Maximum permissible working pressure up to 10 bar (16 bar for N 32L-160,200; N,N4 40-160,200; N,N4 50-125,160; N,N4 65-125,160,200,250; N,N4 80-160,200,250,315,400; N,N4 100-200).

Maximum permissible rotation speed: see table on page 90.



The electropumps N, B-N, N4, B-N4 series comply with the European Regulation no. 547/2012.

### Materials

Components	N, N4	B-N, B-N4	N, N4
Mechanical seal	Mechanical seal	Mechanical seal	Stuffing box
Pump casing	Cast iron	Bronze	Cast iron
Casing cover	GJL 200 EN 1561	G-Cu Sn 10 EN 1982	GJL 200 EN 1561
Impeller	Cast iron	Bronze	Cast iron
	GJL 200 EN 1561	G-Cu Sn 10 EN 1982	GJL 200 EN 1561
	Brass P- Cu Zn 40 Pb 2 UNI 5705 For 32-125, 32-160, 32-200, 32L-200, 40-200		
Shaft	Chrome steel 1.4104 EN 10088 (AISI 430)	Cr-Ni-Mo steel 1.4401 EN 10088 (AISI 316)	Carbon steel C 40 UNI 7845
Shaft sleeve	–	–	Bronze G-Cu Sn5 Zn5 Pb5 EN 1982 with chromate surface
Mechanical seal	Carbon - Ceramic - NBR		–
Counter-flanges	Steel Fe 430B UNI 7070		

### Pump-Motor unit

N,N4 pump connected to a standard electric motor in B3 construction form (EN 60072-1), by means of a baseplate, driven by a flexible coupling and with coupling protection.

Three-phase 400 V , 50 Hz

**Classification scheme IE3 for three-phase motors from 0,75 kW.**

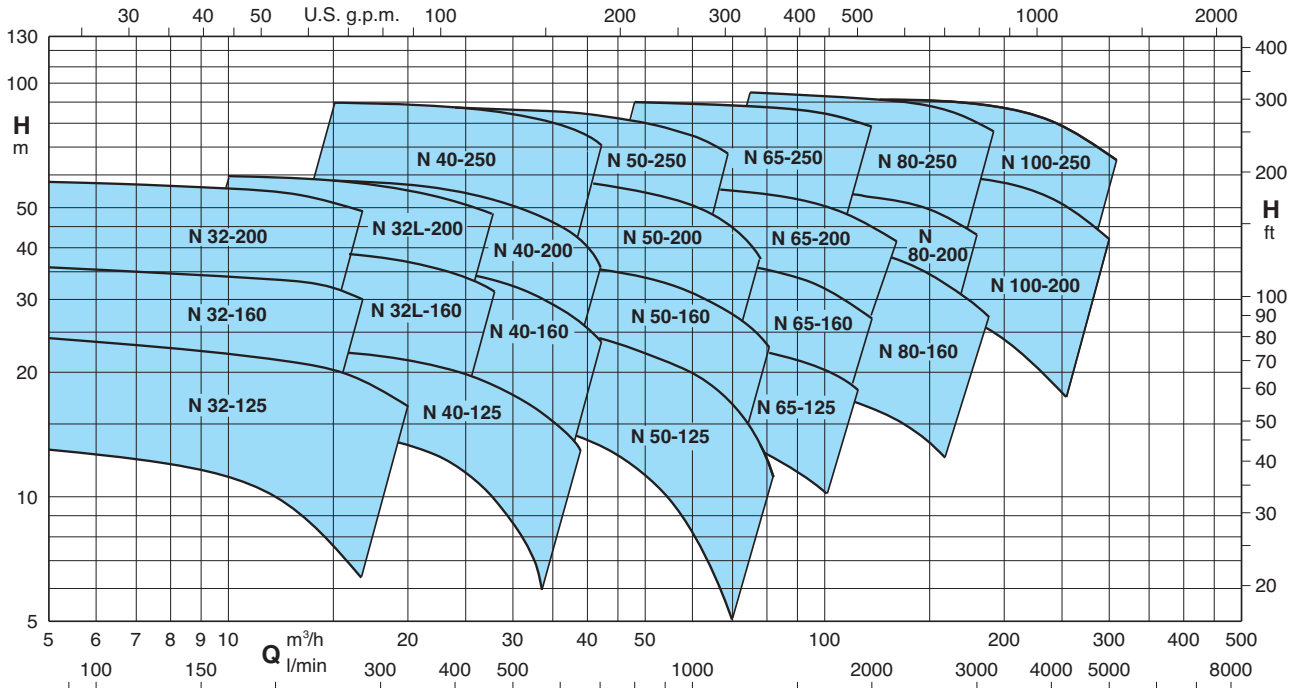
IP 55 protection.

Motor suitable for operation with frequency converter.

### Special features on request

- Special mechanical seal.
- Chrome-nickel steel AISI 316 pump-shaft.
- Higher or lower liquid or ambient temperatures.
- Other motor protection.
- Motor for other voltage.
- Frequency 60 Hz (as per 60 Hz data sheet).

### Coverage chart n ≈ 2900 rpm



Tolerances according to UNI EN ISO 9906:2012

### Prestazioni n = 2900 1/min

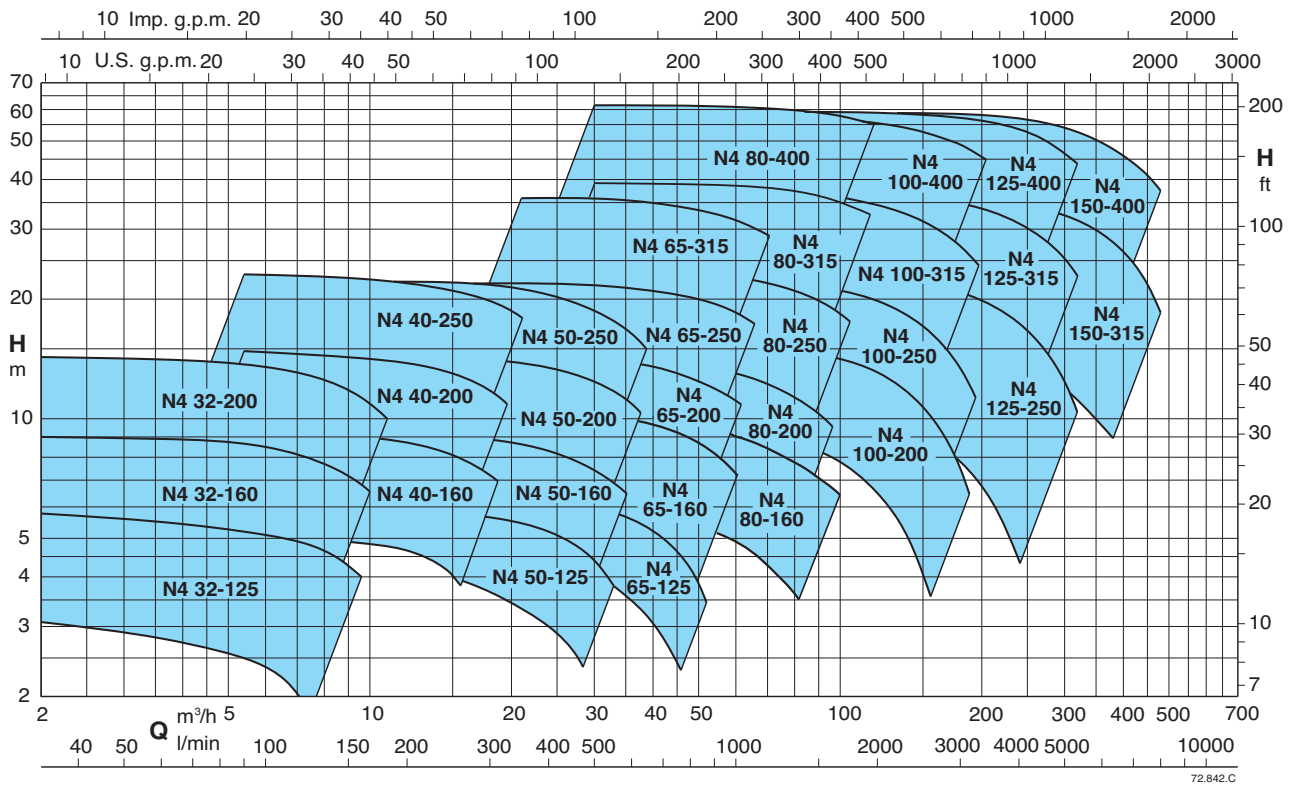
PUMP	PUMP	MOTOR	P <sub>2</sub> kW	Q																			
				m <sup>3</sup> /h	6,6	7,5	8,4	9,6	10,8	12	13,2	15	16,8	18,9	21	24	27	29	32	37,8	39		
				Q	l/min	110	125	140	160	180	200	220	250	280	315	350	400	450	483	533	630	650	
B-N 32-125F/A	N 32-125F/A	71 M2	0,55	P <sub>3</sub> kW		12,5 0,4	12,5 0,43	12 0,46	11,5 0,48	11 0,5	10,5 0,52	9,5 0,54	8 0,55	6 0,56									
B-N 32-125D/A	N 32-125D/A	80 M2 80 M2	0,75 1,1		18 0,63	18 0,67	17,5 0,7	17 0,75	16,5 0,79	16 0,83	15,5 0,86	14 0,9	12,5 0,93	11 0,95	8,5 0,97								
B-N 32-125A/A	N 32-125A/A	80 M2 90 S2	1,1 1,5		23 0,83	23 0,87	22,5 0,91	22 0,96	21,5 1,01	21 1,06	20,5 1,1	19,5 1,19	18 1,26	16 1,31	14 1,35	10 1,38							
B-N 32-125S/A	N 32-125S/A	90 S2	1,5		23,5 0,86	23,5 0,9	23 0,94	22,5 1	22 1,06	21,5 1,12	21 1,17	20,5 1,25	19 1,3	18,5 1,36	16,5 1,42	13 1,49							
B-N 32-160B/A	N 32-160B/A	90 S2 90 L2	1,5 2,2		29,5 1,1	29,5 1,17	29 1,23	28,5 1,30	27,5 1,37	27 1,43	26 1,48	25 1,55	22,5* 1,63	20* 1,7	17,5* 1,75	12,5* 1,79							
B-N 32-160A/A	N 32-160A/A	90 L2 100 L2	2,2 3		35,5 1,56	35,5 1,64	35 1,71	34,5 1,81	34 1,9	33,5 1,98	33 2,05	32 2,12	30* 2,24	28* 2,33	25* 2,4	21* 2,47	15* 2,5						
B-N 32-200D/A	N 32-200D/A	90 L2 100 L2	2,2 3		37,5 1,92	37 2	36 2,06	35 2,17	34 2,24	33 2,3	32 2,35	30 2,4	27 2,45	22 2,5									
B-N 32-200C/A	N 32-200C/A	100 L2	3		44,5 2,17	44 2,28	43,5 2,36	43 2,5	42 2,63	41 2,74	40 2,83	38,5 2,97	36 3,1	32 3,2									
B-N 32-200A/A	N 32-200A/A	112 M2 132 S2	4 5,5		57 2,9	56,5 3,1	56 3,18	55,5 3,35	54,5 3,51	53,5 3,67	52,5 3,8	51 4	49 4,2	46 4,4									
B-N 32L-160C	N 32L-160C	90 L2	2,2					25,1 1,25	24,9 1,35	24,7 1,4	24,4 1,45	23,8 1,55	23 1,65	21,8 1,75	20,3 1,85	17,3 1,95	13,4 2,05						
B-N 32L-160B	N 32L-160B	100 L2	3					30,4 1,85	30,3 1,95	30,2 2	30 2,1	29,6 2,2	29 2,35	28,1 2,45	26,8 2,55	24,2 2,7	20,8 2,85	17,9 2,9					
B-N 32L-160A	N 32L-160A	112 M2	4					39,9 2,95	39,9 2,95	39,8 2,95	39,6 2,95	39,3 2,95	38,8 2,95	37,9 3,2	36,8 3,35	34,7 3,6	31,9 3,8	29,7 3,9	25,6 4,05				
B-N 32L-200C	N 32L-200C	112 M2	4					42,1 2,5	41,8 2,65	41,5 2,8	41 2,9	40,2 3,1	38,9 3,25	37 3,45	34,5 3,6	29,7 3,8	23,8 3,8						
B-N 32L-200B	N 32L-200B	132 S2	5,5					51,7 3,15	51,6 3,3	51,4 3,45	51,2 3,6	50,7 3,85	50 4,1	48,8 4,35	47 4,55	43,2 4,9	37,8 5,15	33,5 5,35					
B-N 32L-200A	N 32L-200A	132 S2	7,5					59,4 3,8	59,4 4	59,4 4,2	59,4 4,35	59,2 4,65	58,8 4,9	58 5,25	56,5 5,9	53,4 6,3	48,6 6,5	44,6 6,8	37,7 6,8				

PUMP	PUMP	MOTOR	P <sub>2</sub> kW	Q																			
				m <sup>3</sup> /h	15	16,8	18,9	21	24	27	30	33	37,8	39	42	45	48	54	60	66	69		
				Q	l/min	250	280	315	350	400	450	500	550	630	650	700	750	800	900	1000	1100	1150	
B-N 40-125F/A	N 40-125F/A	80 M2	1,1	P <sub>3</sub> kW		14 0,96	13,5 1,00	13 1,04	12 1,07	11 1,10	9,5 1,13	8 1,13	6 1,13										
B-N 40-125C/A	N 40-125C/A	90 S2	1,5		17,5 1,21	17 1,26	16,5 1,32	16 1,38	15 1,44	13,5 1,49	12 1,53	10,5 1,56	7,5 1,57	6,5 1,57									
B-N 40-125A/A	N 40-125A/A	90 L2	2,2		22 1,50	22 1,57	21,5 1,65	21 1,72	20 1,82	19 1,91	18 1,98	16,5 2,04	14 2,10	13 2,11	11,5 2,13								
B-N 40-160C/A	N 40-160C/A	90 L2	2,2		23 1,55	22,5 1,63	22 1,72	21,5 1,80	20 1,90	18,5 1,99	16,5 2,06	14,5 2,12	11 2,17	10 2,17									
B-N 40-160B/A	N 40-160B/A	100 L2	3		29 2,08	28,8 2,18	28 2,30	27,5 2,41	26,5 2,55	25 2,67	23,5 2,78	21,5 2,87	18 2,97	17 2,99	14 3,02								
B-N 40-160A/A	N 40-160A/A	112 M2 132 S2	4 5,5		37 2,70	36,5 2,84	36,5 3,01	36 3,18	35 3,35	33,5 3,53	32 3,72	30,5 3,84	27 4,01	26 4,05	23,5 4,12	20 4,20	17 4,22						
B-N 40-200D/A	N 40-200D/A	112 M2 132 S2	4 5,5		39 3,20	38 3,35	37 3,51	35,5 3,66	33,5 3,86	30,5 4,03	27 4,18	22,5 4,30	14 4,43										
B-N 40-200C/A	N 40-200C/A	112 M2 132 S2	4 5,5		41,5 3,44	40,5 3,59	39,5 3,78	38 3,95	36 4,15	33,5 4,32													
B-N 40-200B/A	N 40-200B/A	132 S2 132 S2	5,5 7,5		50 3,96	49,5 4,18	48,5 4,41	47,5 4,64	45,5 4,92	43,5 5,17	41,5 5,39	37,5 5,60	30,5 5,87										
B-N 40-200A/A	N 40-200A/A	132 S2 132 S2	5,5 7,5		55 4,50	54,5 4,70	54 5,07	53 5,30	51 5,65	49 5,95													
B-N 40-200A/A	N 40-200A/A	132 S2	7,5		57,5 4,78	57 5,04	56,5 5,34	55,5 5,63	54,5 6,03	52,5 6,40	50,5 6,70	48 7,01	42,5 7,34	40,5 7,43	35 7,62								
B-N 40-250C/A	N 40-250C/A	160 M2	11		61 5,86	61 6,16	60,5 6,49	59,5 6,82	58,5 7,28	56,5 7,72	53,5 8,07	49,5 8,48	41,5 9,02	40 9,15	33,5 9,35								
B-N 40-250B/A	N 40-250B/A	160 M2	11		69,5 6,87	69,5 7,19	69 7,56	68,5 7,91	67 8,47	65,5 8,91	63,5 9,35	60,5 9,75	53,5 10,40	51 10,54	45 10,93								
B-N 40-250A/A	N 40-250A/A	160 M2	15		90 9,31	90 9,73	89,5 10,21	89 10,68	88,5 11,34	87 11,98	85 12,60	83 13,19	77,5 14,00	76 14,21	70,5 14,65								

**N** Standard construction. **B-N** Bronze construction. **P<sub>2</sub>** Rated motor power output. **P<sub>3</sub>** Pump power input. **H** Total head in m. \* Maximum suction lift 1-2 m.



### Coverage chart $n \approx 1450$ rpm



Tolerances according to UNI EN ISO 9906:2012

### Performance $n \approx 1450$ rpm

PUMP	PUMP	MOTOR	P <sub>2</sub> kW	Q															
				Q m <sup>3</sup> /h	2,4	3	3,6	4,2	4,8	5,4	6	6,6	7,5	8,4	9,6	10,8	12	13,2	
				Q l/min	40	50	60	70	80	90	100	110	125	140	160	180	200	220	
B-N4 32-125F/A	N4 32-125F/A	71 M4	0,25	H m P <sub>3</sub> kW	3,6 0,07	3,6 0,075	3,5 0,08	3,5 0,09	3,4 0,095	3,2 0,1	3 0,1	2,8 0,105	2,4 0,11	1,9 0,115	1,1 0,115				
B-N4 32-125D/A	N4 32-125D/A	71 M4	0,25		4,7 0,095	4,7 0,075	4,7 0,11	4,7 0,115	4,6 0,125	4,6 0,13	4,5 0,135	4,3 0,145	4,1 0,15	3,8 0,155	3,3 0,165	2,6 0,17			
B-N4 32-125A/A	N4 32-125A/A	71 M4	0,25		5,7 0,12	5,8 0,1	5,8 0,135	5,7 0,145	5,7 0,15	5,7 0,16	5,6 0,165	5,5 0,175	5,4 0,185	5,2 0,195	4,8 0,205	4,3 0,215			
B-N4 32-160B/A	N4 32-160B/A	71 M4	0,37		7,6 0,13	7,5 0,125	7,4 0,15	7,3 0,16	7,2 0,17	7,1 0,18	6,9 0,19	6,7 0,2	6,3 0,21	5,9 0,215	5,2 0,23	4,2 0,235			
B-N4 32-160A/A	N4 32-160A/A	71 M4	0,37		9 0,17	8,95 0,18	8,9 0,19	8,8 0,2	8,7 0,21	8,6 0,22	8,5 0,23	8,3 0,24	7,9 0,26	7,5 0,275	6,8 0,29	6 0,305	5,1 0,315		
B-N4 32-200B/A	N4 32-200B/A	80 M4	0,55		12,5 0,28	12,4 0,3	12,3 0,315	12,2 0,33	12 0,345	11,8 0,36	11,6 0,375	11,2 0,39	10,6 0,41	10 0,43	8,9 0,455	7,6 0,48	6,2 0,5	4,7 0,515	
B-N4 32-200A/A	N4 32-200A/A	80 M4	0,75		14,3 0,35	14,2 0,375	14,1 0,4	14 0,42	13,9 0,44	13,7 0,46	13,5 0,48	13,3 0,5	12,9 0,525	12,3 0,55	11,3 0,585	10,2 0,61	8,9 0,635	7,5 0,655	

PUMP	PUMP	MOTOR	P <sub>2</sub> kW	Q																	
				Q m <sup>3</sup> /h	5,4	6	6,6	7,5	8,4	9,6	10,8	12	13,2	15	16,8	18,9	21	24	27	30	
				Q l/min	90	100	110	125	140	160	180	200	220	250	280	315	350	400	450	500	
B-N4 40-160C/A	N4 40-160C/A	71 M4	0,37	H m P <sub>3</sub> kW	6,1 0,17	6 0,18	5,9 0,19	5,9 0,2	5,8 0,21	5,6 0,23	5,4 0,24	5,2 0,25	5 0,26	4,5 0,27	3,9 0,28	3,1 0,29	2,3 0,3				
B-N4 40-160B/A	N4 40-160B/A	80 M4	0,55		7,6 0,22	7,6 0,23	7,6 0,24	7,6 0,26	7,6 0,27	7,3 0,29	7,1 0,31	6,9 0,32	6,6 0,34	6,3 0,36	5,7 0,38	5 0,39	4 0,4	2,7 0,41			
B-N4 40-160A/A	N4 40-160A/A	80 M4	0,75		9,6 0,28	9,6 0,3	9,6 0,31	9,6 0,33	9,4 0,35	9,3 0,37	9,1 0,4	9 0,42	8,8 0,44	8,4 0,47	7,9 0,49	7,2 0,51	6,4 0,53	5,1 0,55	3,5 0,56		
B-N4 40-200B/A	N4 40-200B/A	90 S4	1,1		13 0,51	12,9 0,53	12,8 0,54	12,7 0,57	12,6 0,60	12,4 0,63	12,2 0,66	12 0,68	11,5 0,71	10,8 0,75	10 0,78	8,6 0,81	7 0,83				
B-N4 40-200A/A	N4 40-200A/A	90 S4	1,1		14,8 0,59	14,7 0,6	14,6 0,61	14,5 0,64	14,4 0,67	14,2 0,71	14 0,74	13,8 0,77	13,6 0,8	13 0,85	12,2 0,9	11,3 0,94	10 0,97				
B-N4 40-250C/A	N4 40-250C/A	90 L4	1,5		17,4 0,689	17,3 0,715	17,2 0,74	17,2 0,779	17 0,817	16,8 0,865	16,6 0,912	16,3 0,967	16 1,018	15,1 1,092	13,8 1,134	12,1 1,178	10,4 1,248	7,2 1,301	2,8 1,348		
B-N4 40-250B/A	N4 40-250B/A	100 LA4	2,2		21,4 0,908	21,5 0,942	21,4 0,99	21,3 1,025	21,2 1,075	21 1,140	20,9 1,203	20,8 1,266	20,5 1,327	20 1,405	19,5 1,482	18,3 1,567	16,4 1,645	13,3 1,752	10 1,815	5 1,887	
B-N4 40-250A/A	N4 40-250A/A	100 LB4	3		22,9 1,068	22,8 1,104	22,9 1,15	22,9 1,193	22,8 1,246	22,5 1,316	22,5 1,385	22,2 1,454	22 1,521	21,8 1,638	21,4 1,733	20,4 1,817	18,9 1,933	16 2,068	12,6 2,168	8 2,267	

**N4** Standard construction.  
**B-N4** Bronze construction.

P<sub>2</sub> Rated motor power output.  
P<sub>3</sub> Pump power input.

H Total head in m.

\* Maximum suction lift 1-2 m.





### Performance n ≈ 1450 rpm

PUMP B-N4	PUMP N4	MOTOR	P <sub>2</sub> kW	Q m³/h	48	54	60	66	75	84	96	108	120	132	150	168	180	192	210		
				Q l/min	800	900	1000	1100	1250	1400	1600	1800	2000	2200	2500	2800	3000	3200	3500		
				H m																	
B-N4 100-200C/A	N4 100-200C/A	100 L4	3	P <sub>3</sub> kW	9,4	9,3	9,2	9,1	8,9	8,5	8	7,3	6,5	5,6	4						
B-N4 100-200B/A	N4 100-200B/A	112 M4	4		12	11,9	11,8	11,7	11,5	11,2	10,7	10	9,3	8,4	6,7	4,5					
B-N4 100-200A/A	N4 100-200A/A	132 S4	5,5		15,2	15,2	15,1	15	14,9	14,7	14,3	13,8	13,1	12,2	10,7	9	7,5*	6*			
B-N4 100-250B/A	N4 100-250B/A	132 M4	7,5		19,5	19,5	19,4	19,3	19	18,7	18,2	17,5	16,6	15,6	13,8	11,7	10	8,4	5,5		
B-N4 100-250A/A	N4 100-250A/A	160 M4	11		22,3	22,3	22,2	22,1	21,9	21,7	21,2	20,5	19,8	18,8	17,1	15	13,4	11,7	8,9		
B-N4 100-315C/A	N4 100-315C/A	160 M4	11		26,9	26,9	26,8	26,6	26,2	25,7	24,9	23,8	22,7	21,3	18,9	15,9	13,7	11,3*			
B-N4 100-315B/A	N4 100-315B/A	160 L4	15		31,5	31,5	31,4	31,3	31,2	30,8	30,2	29,3	28,2	26,9	24,6	21,8	19,8	17,6*	14*		
B-N4 100-315A/A	N4 100-315A/A	180 M4	18,5		36,9	36,9	36,8	36,7	36,6	36,4	36	35,3	34,5	33,4	31,4	29	27,2	25,3*	22,2*		
B-N4 100-400C/A	N4 100-400C/A	180 L4	22		41,3	41,2	41,1	41	40,7	40,4	39,8	39	38	36,5	34	31	28,7	26			
B-N4 100-400B/A	N4 100-400B/A	200 L4	30		50,2	50,1	50	49,9	49,7	49,4	48,8	48	47,1	46	44	41,3	39,5	37	33,5*		
B-N4 100-400A/A	N4 100-400A/A	225 S4	37	58,2	58,1	58	57,9	57,8	57,6	57,2	56,3	55,7	54,5	52,7	50,5	49	47	44*			

PUMP B-N4	PUMP N4	MOTOR	P <sub>2</sub> kW	Q m³/h	84	96	108	120	132	150	168	180	192	210	240	270	300	330		
				Q l/min	1400	1600	1800	2000	2200	2500	2800	3000	3200	3500	4000	4500	5000	5500		
				H m																
B-N4 125-250E/A	N4 125-250E/A	132 S4	5,5	P <sub>3</sub> kW	11	10,8	10,5	10,1	9,7	9,1	8,3	7,8	7,2	6,2	4,4					
B-N4 125-250D/A	N4 125-250D/A	132 M4	7,5		14	13,9	13,7	13,4	13	12,4	11,6	11	10,4	9,4	7,4	5,1				
B-N4 125-250C/A	N4 125-250C/A	160 M4	11		16,7	16,6	16,4	16,2	15,9	15,4	14,6	14,1	13,5	12,5	10,4	8,2	5,8			
B-N4 125-250B/A	N4 125-250B/A	160 M4	11		19,3	19,2	19,1	18,9	18,7	18,2	17,5	17	16,3	15,3	13,3	10,9	8,2			
B-N4 125-250A/A	N4 125-250A/A	160 L4	15		22,7	22,7	22,6	22,4	22,2	21,8	21,2	20,8	20,1	19,33	17,4	15	12,4	9,3		
B-N4 125-315C/A	N4 125-315C/A	180 M4	18,5		27,9	27,8	27,7	27,6	27,2	26,5	25,6	24,9	24	22,8	20,2	17	13,5	9,5*		
B-N4 125-315B/A	N4 125-315B/A	180 L4	22		31,8	31,7	31,6	31,5	31,1	30,6	29,7	29,1	28,5	27,3	24,9	22	18,5	14,3*		
B-N4 125-315A/A	N4 125-315A/A	200 L4	30		36,8	36,8	36,7	36,6	36,4	35,9	35,2	34,7	34,2	33,2	31	28,4	25,3	21,6*		
B-N4 125-400C/A	N4 125-400C/A	225 S4	37		45,4	45,3	45,2	45,1	44,9	44,4	43,7	43	42	40	37	33	28,5*	23,5*		
B-N4 125-400B/A	N4 125-400B/A	225 M4	45		51,4	51,3	51,2	51,1	50,9	50,4	49,7	49	48,2	46,8	44	40,5	36*	31,5*		
B-N4 125-400A/A	N4 125-400A/A	250 M4	55	59,2	59,1	59	58,9	58,7	58,2	57,7	57,2	56,7	55,7	53,5	50,5	46,5*	42,5*			

PUMP B-N4	PUMP N4	MOTOR	P <sub>2</sub> kW	Q m³/h	132	150	168	180	192	210	240	270	300	330	360	390	420	450	480	
				Q l/min	2200	2500	2800	3000	3200	3500	4000	4500	5000	5500	6000	6500	7000	7500	8000	
				H m																
B-N4 150-315D/A	N4 150-315D/A	180 M4	18,5	P <sub>3</sub> kW	22,8	22,6	22,3	22	21,7	21,1	20	18,6	17	15,1	13	10,6	8*			
B-N4 150-315C/A	N4 150-315C/A	180 L4	22		25,6	25,4	25,1	24,9	24,7	24,2	23,3	22	20,4	18,5	16,5	14,1	11,6*	8,9*		
B-N4 150-315B/A	N4 150-315B/A	200 L4	30		30,6	30,6	30,5	30,3	30,1	29,7	29	27,9	26,5	24,9	23	20,8	18,3*	15,4*		
B-N4 150-315A/A	N4 150-315A/A	225 S4	37		35,6	35,6	35,5	35,4	35,3	35,2	34,6	33,7	32,5	31	29,2	27,1	24,7*	21,8*	18,5*	
B-N4 150-400C/A	N4 150-400C/A	225 M4	45		45	44,9	44,7	44,5	44	43,5	42,5	40,5	38,5	36	33,5	30,5	27*	23,5*	19,5*	
B-N4 150-400B/A	N4 150-400B/A	250 M4	55		50,8	50,7	50,5	50,3	50	49,5	48,5	47	45	43	40,5	38	35*	32*	28,5*	
B-N4 150-400A/A	N4 150-400A/A	280 S4	75		58,8	58,7	58,6	58,5	58,3	57,9	57	55,5	54	52	49,5	47	44*	41*	37,5*	

N4 Standard construction.

P<sub>2</sub> Rated motor power output.

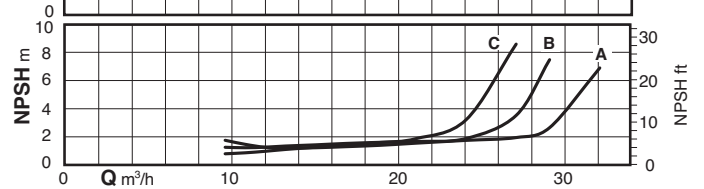
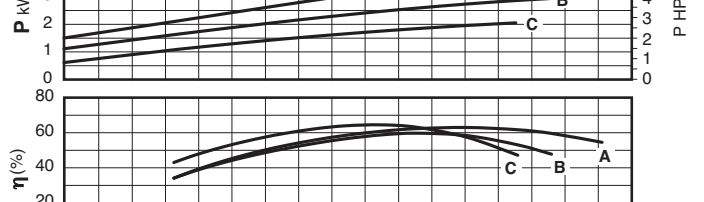
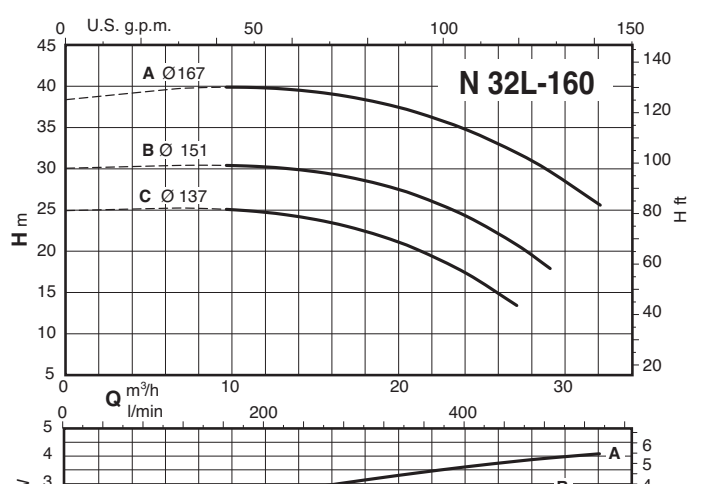
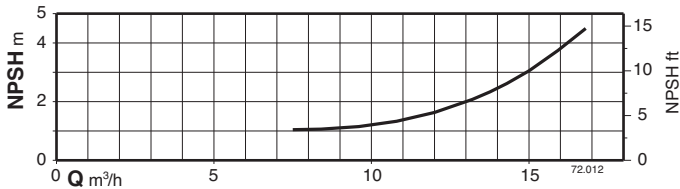
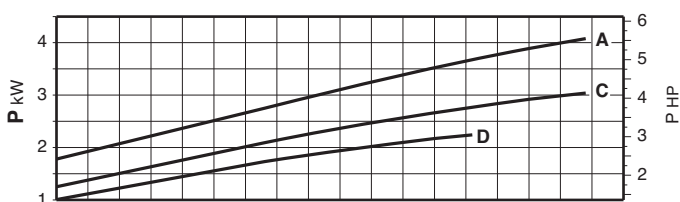
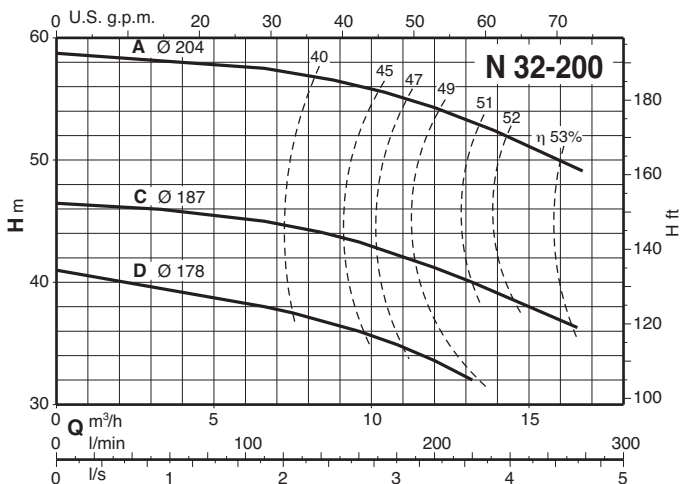
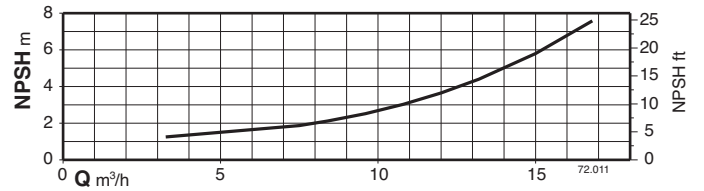
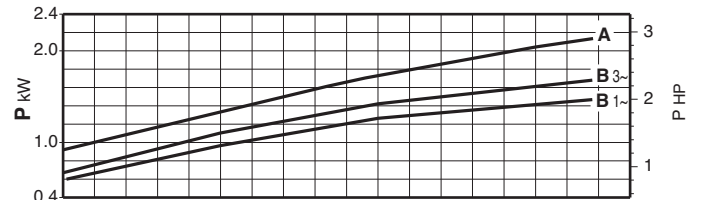
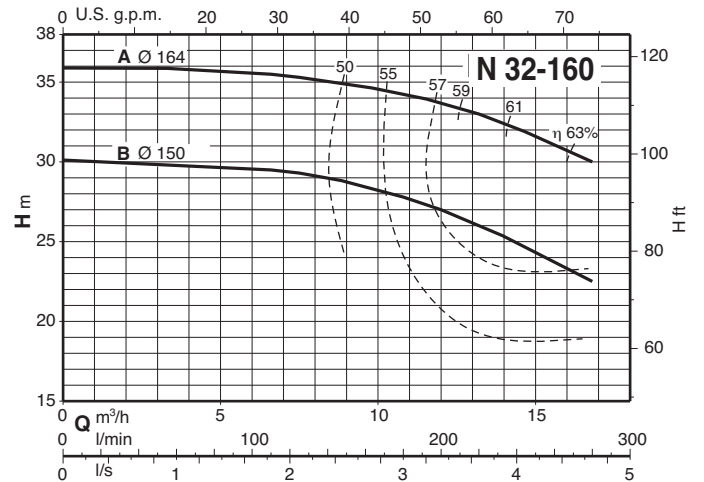
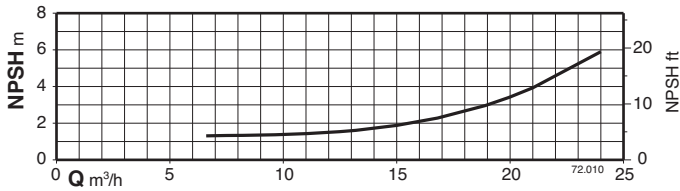
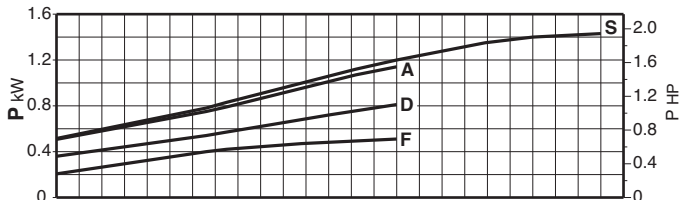
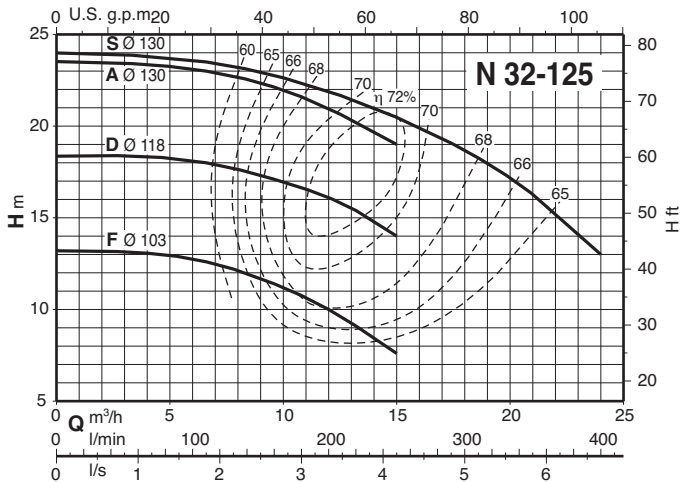
H Total head in m.

\* Maximum suction lift 1-2 m.

B-N4 Bronze construction.

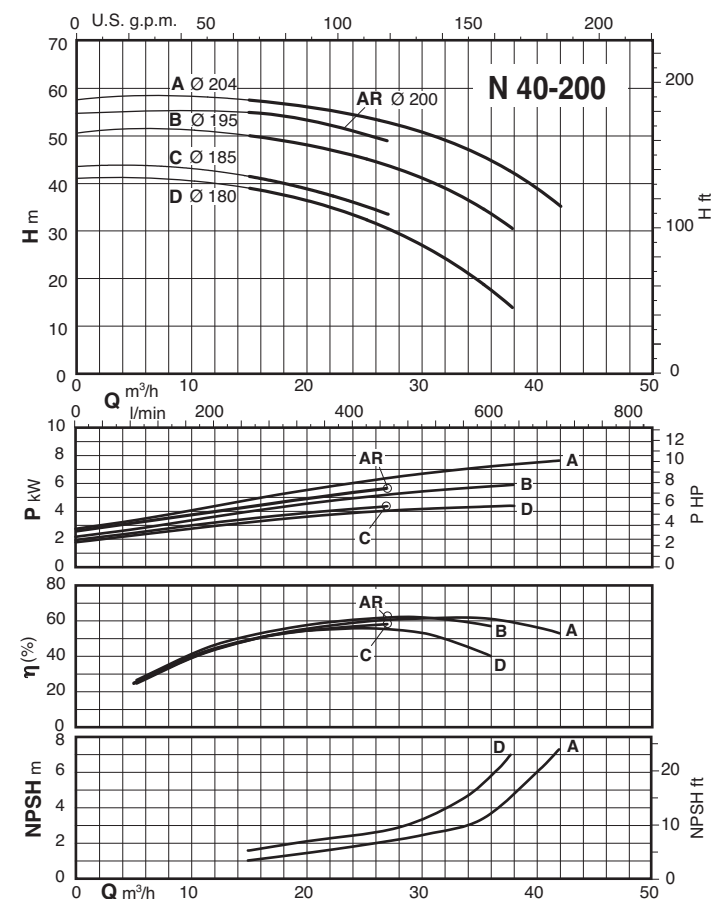
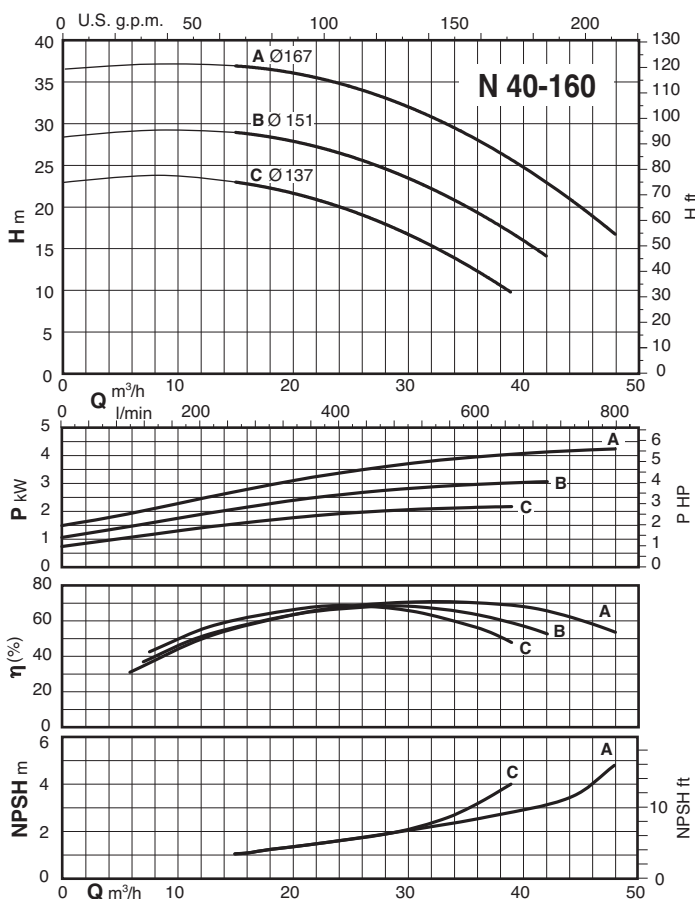
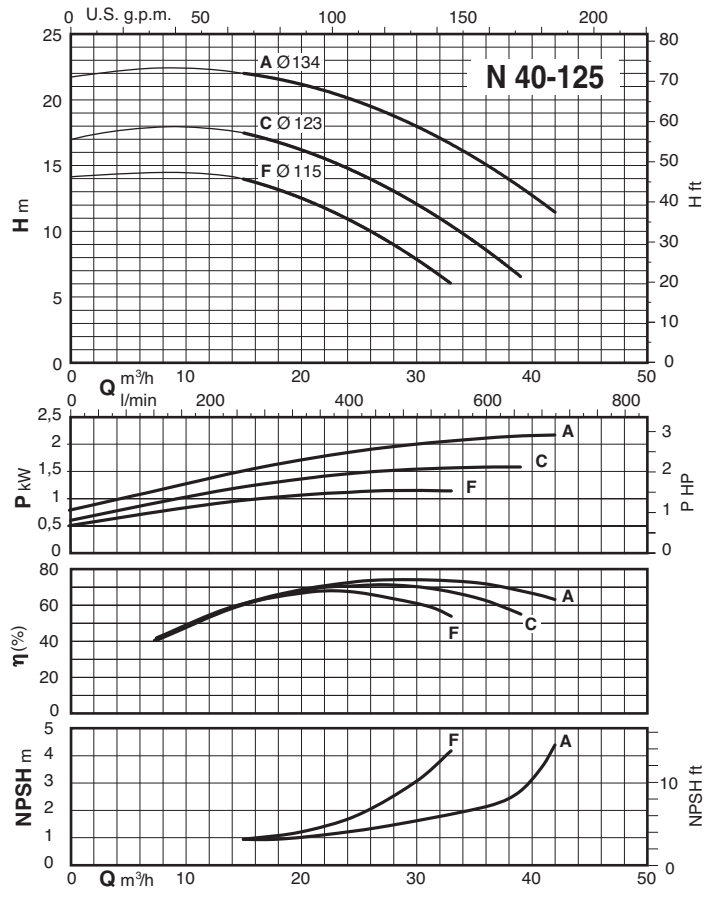
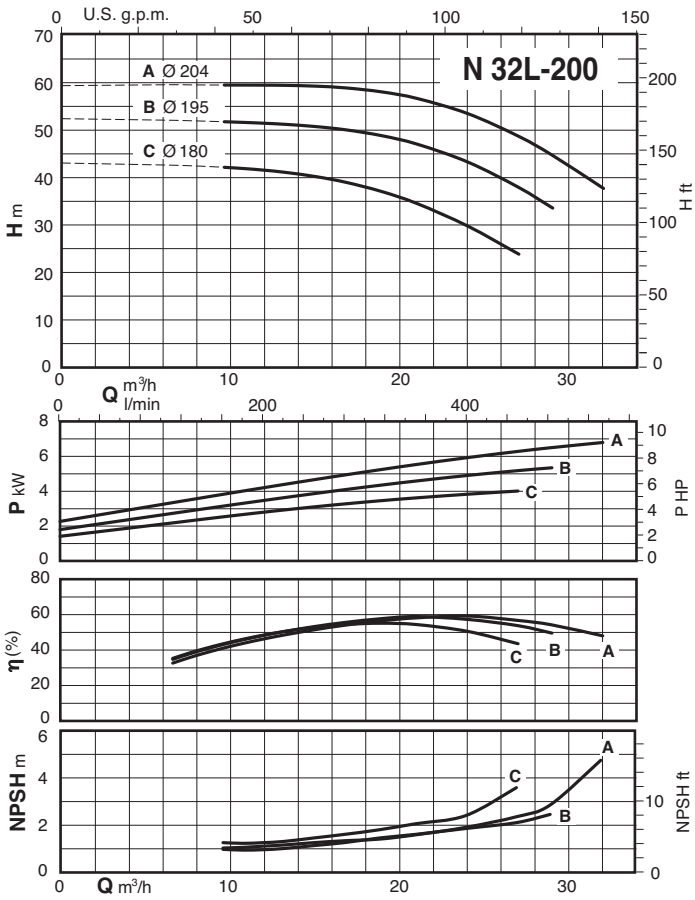
P<sub>3</sub> Pump power input.

**Characteristic curves  $n \approx 2900$  rpm**



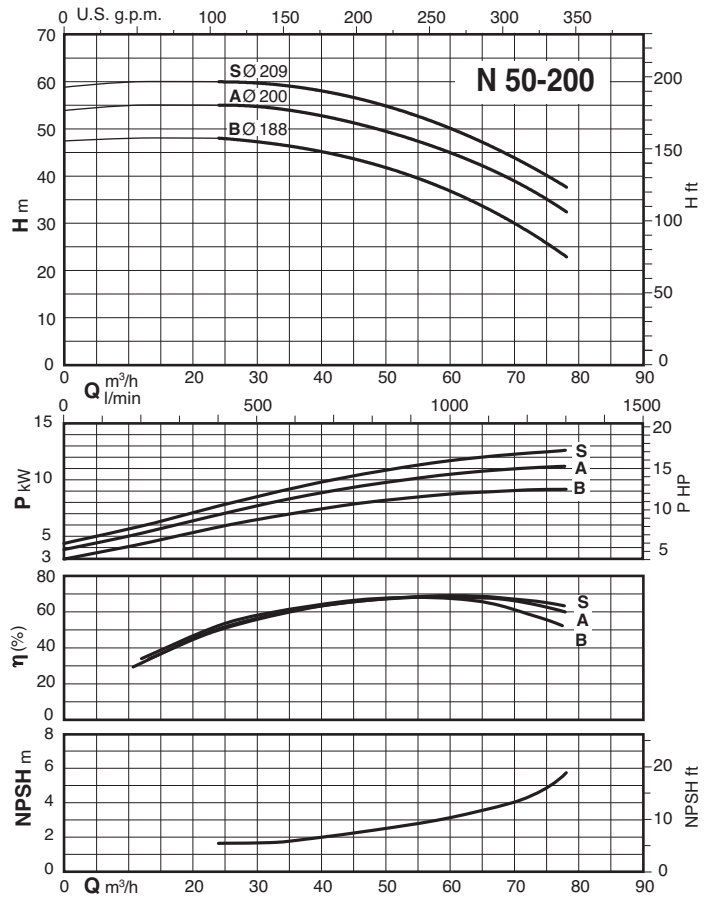
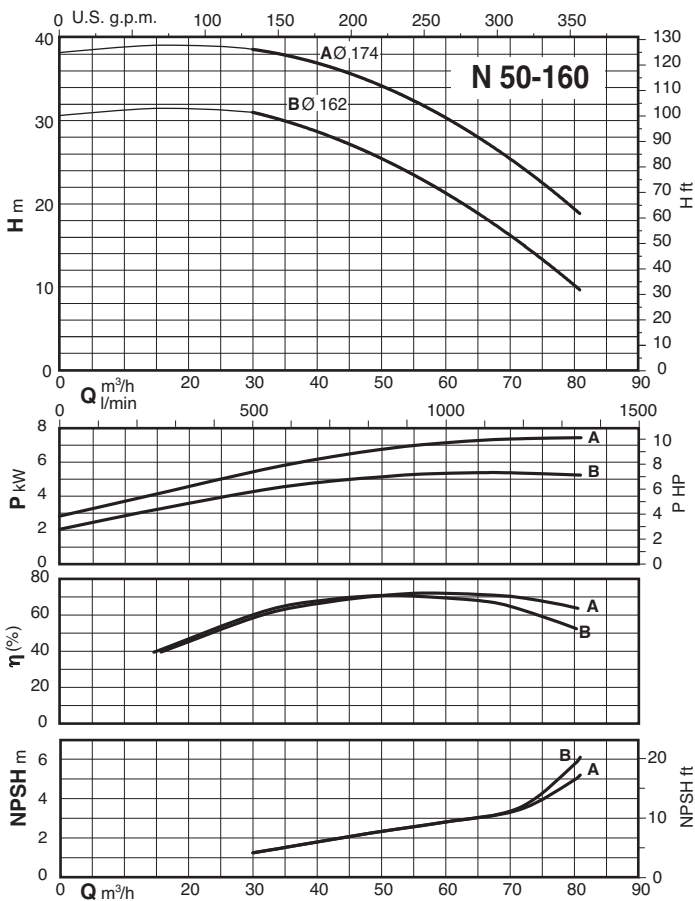
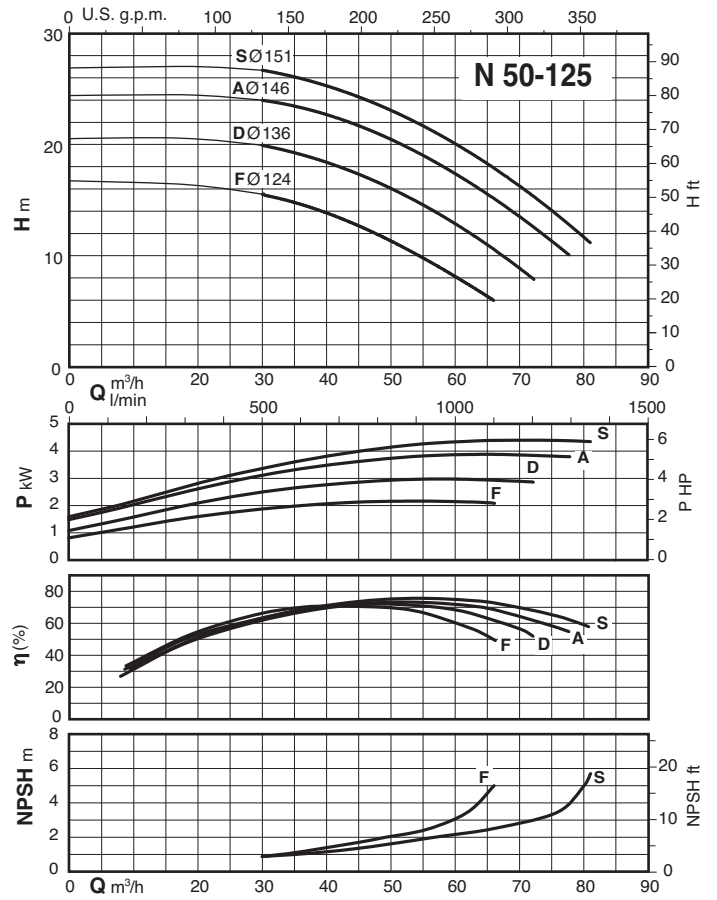
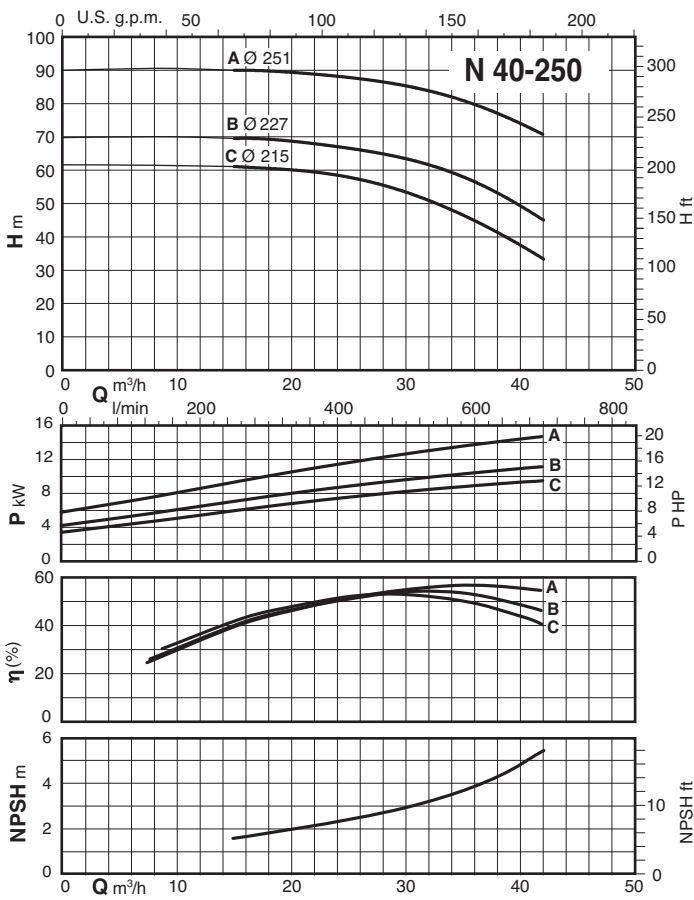


**Characteristic curves  $n \approx 2900$  rpm**



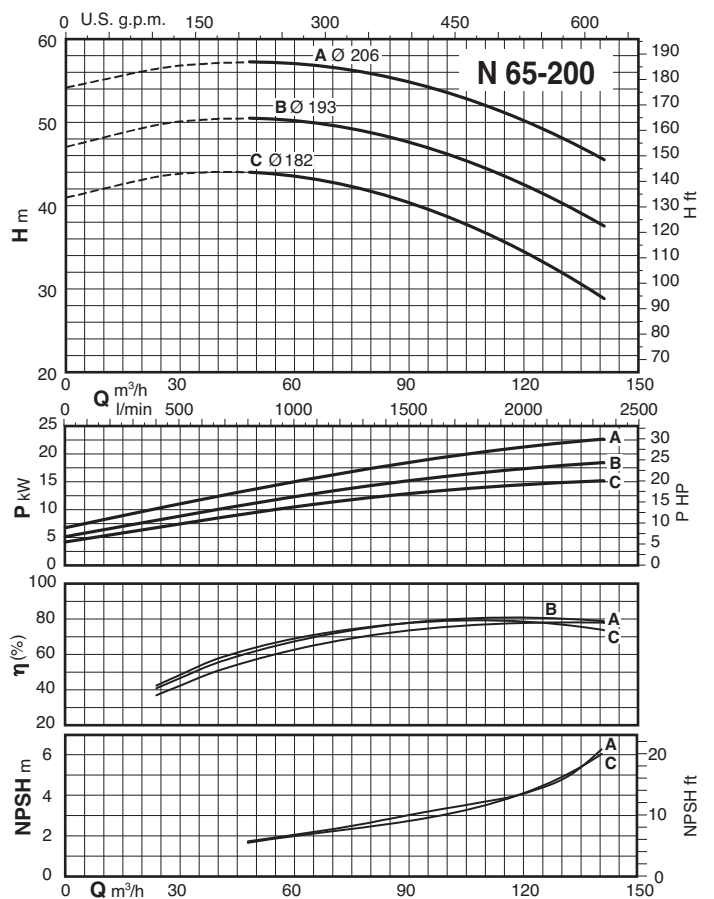
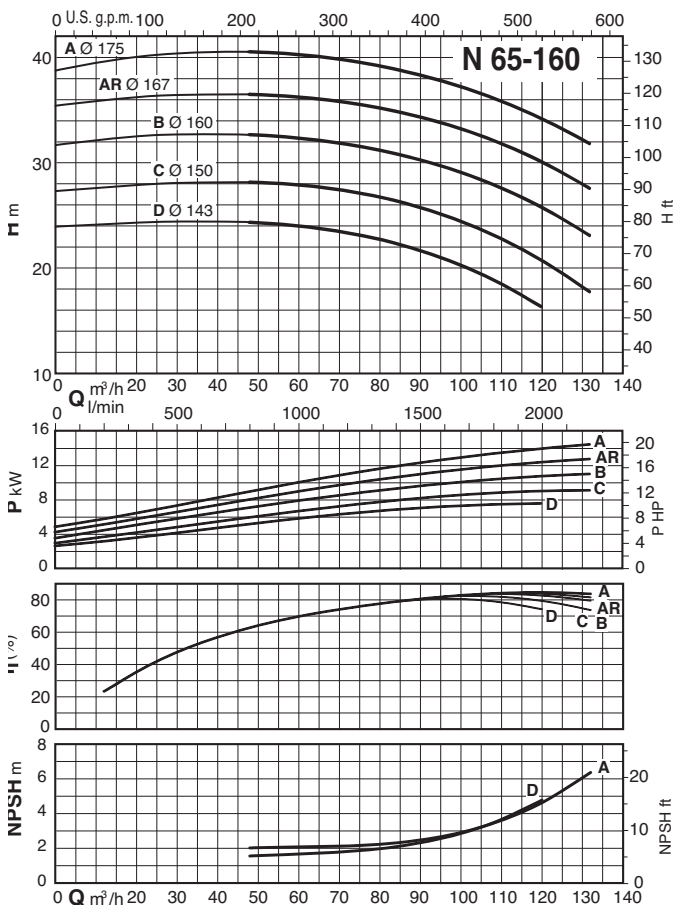
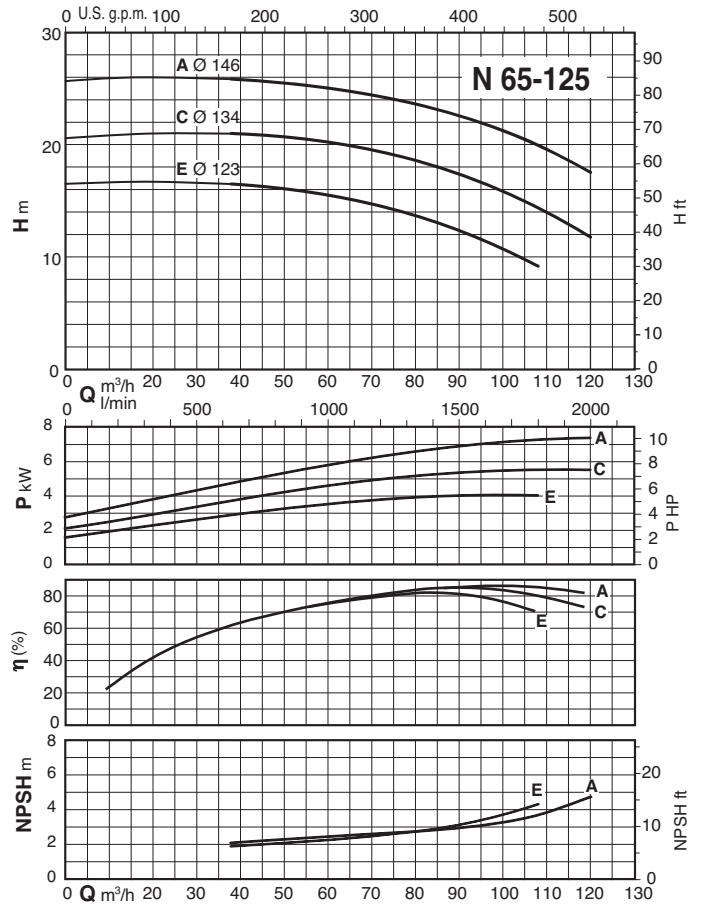
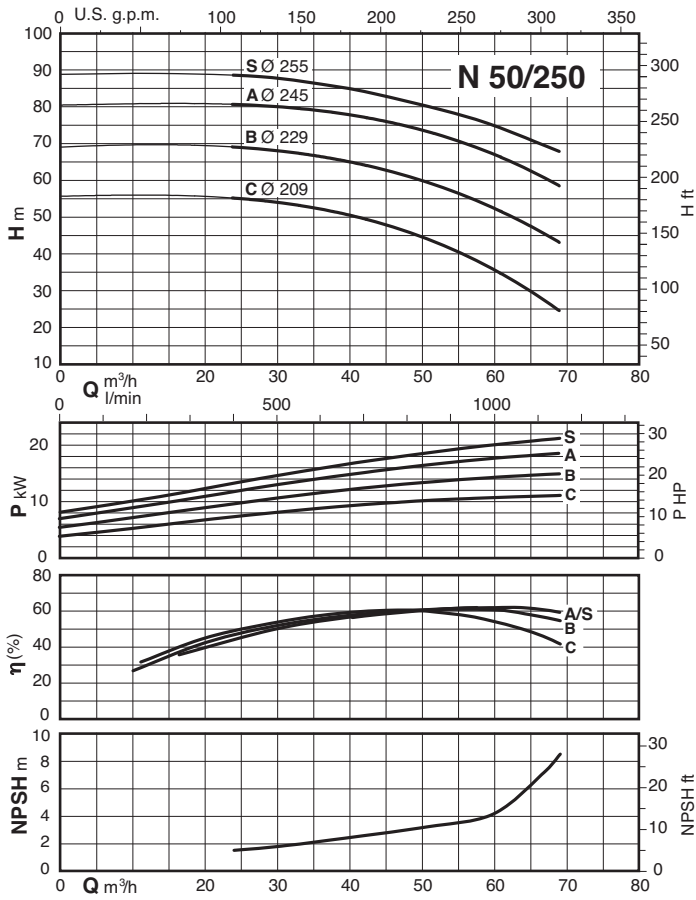


Characteristic curves  $n \approx 2900$  rpm



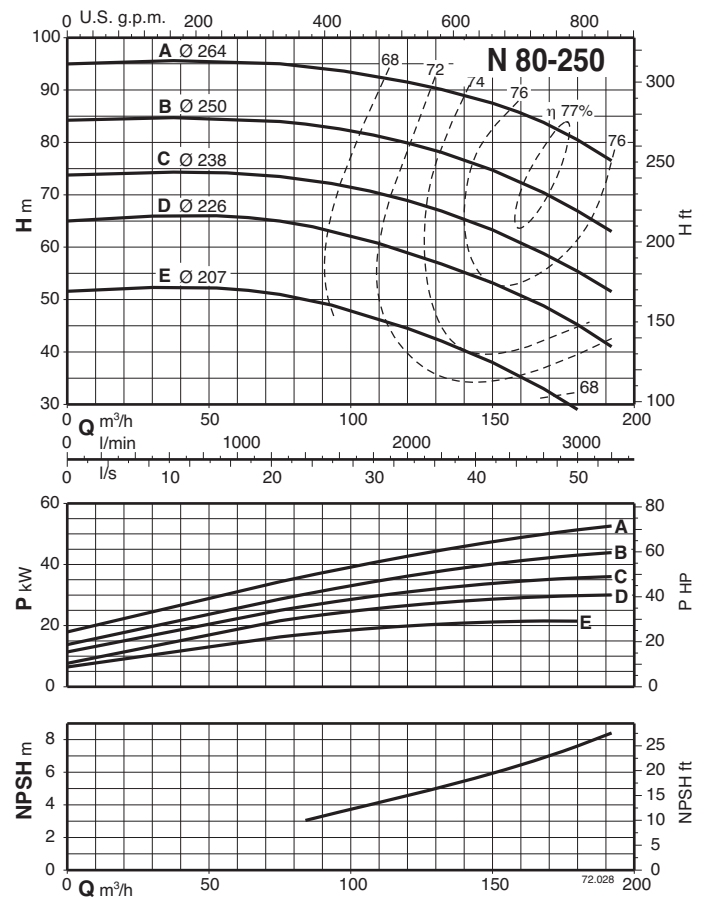
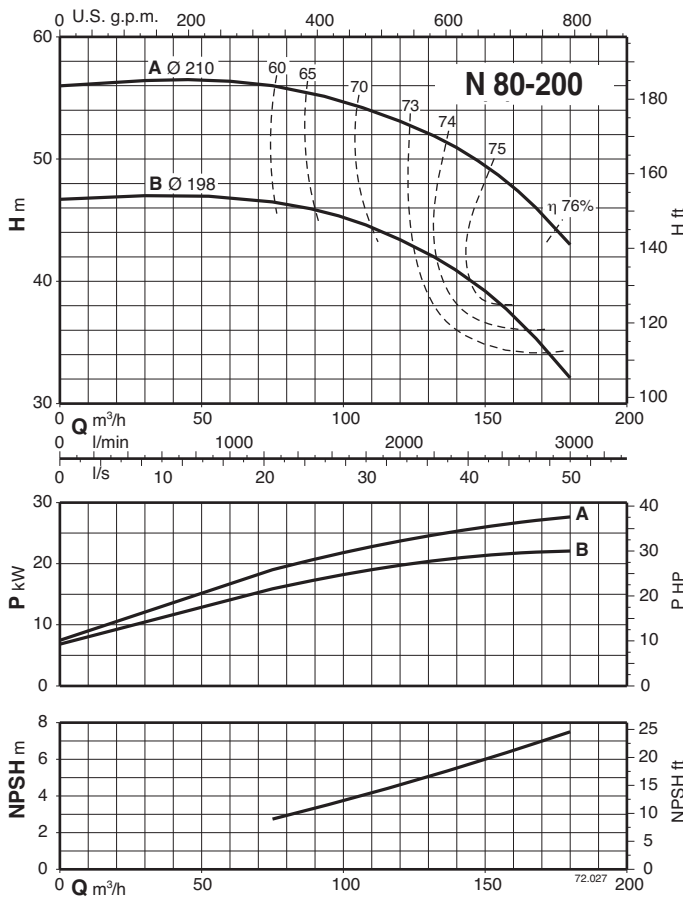
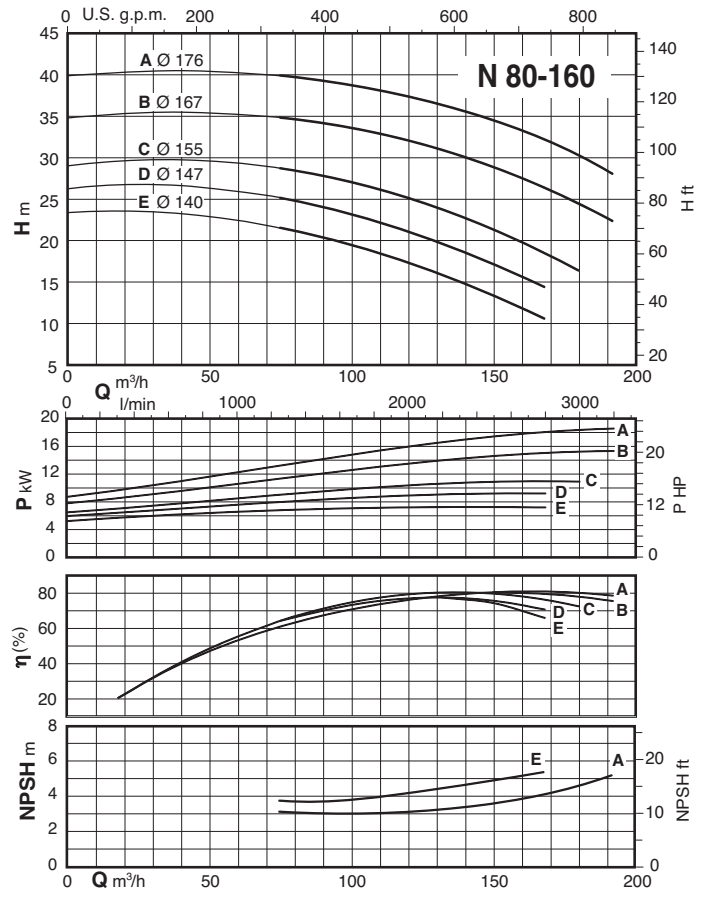
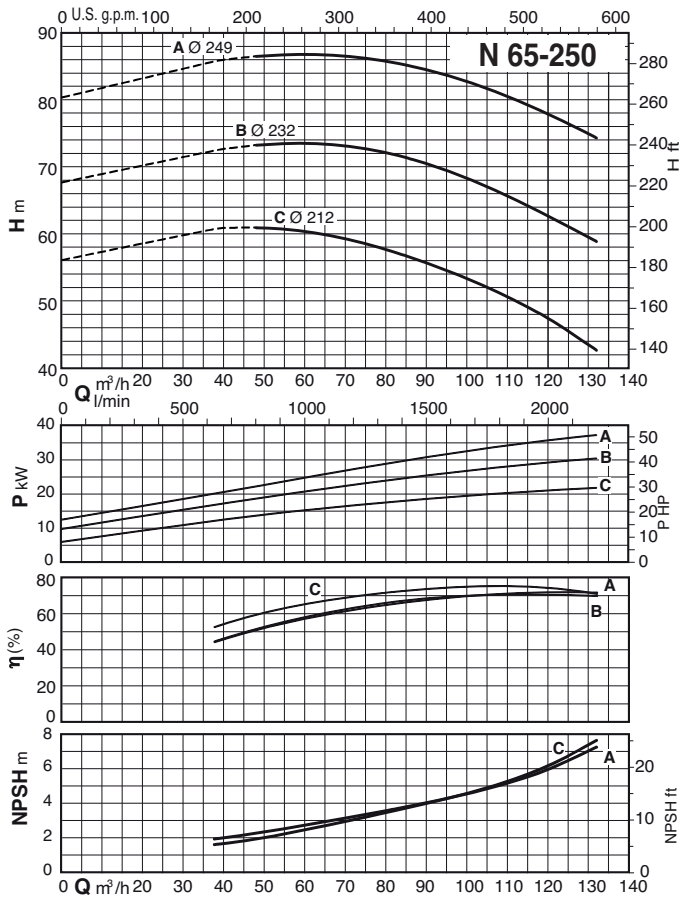


Characteristic curves  $n \approx 2900$  rpm

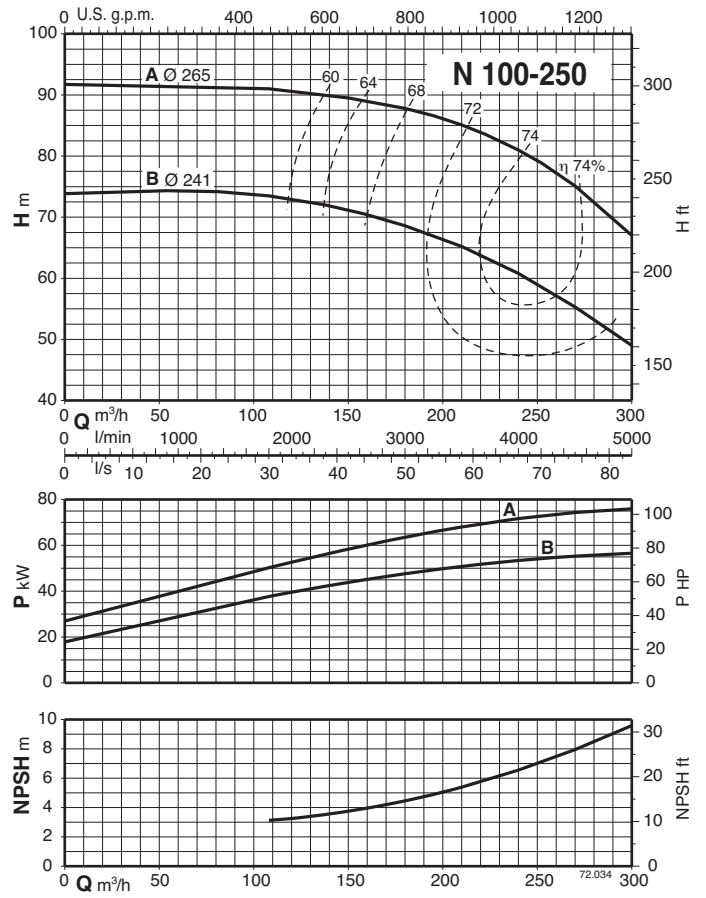
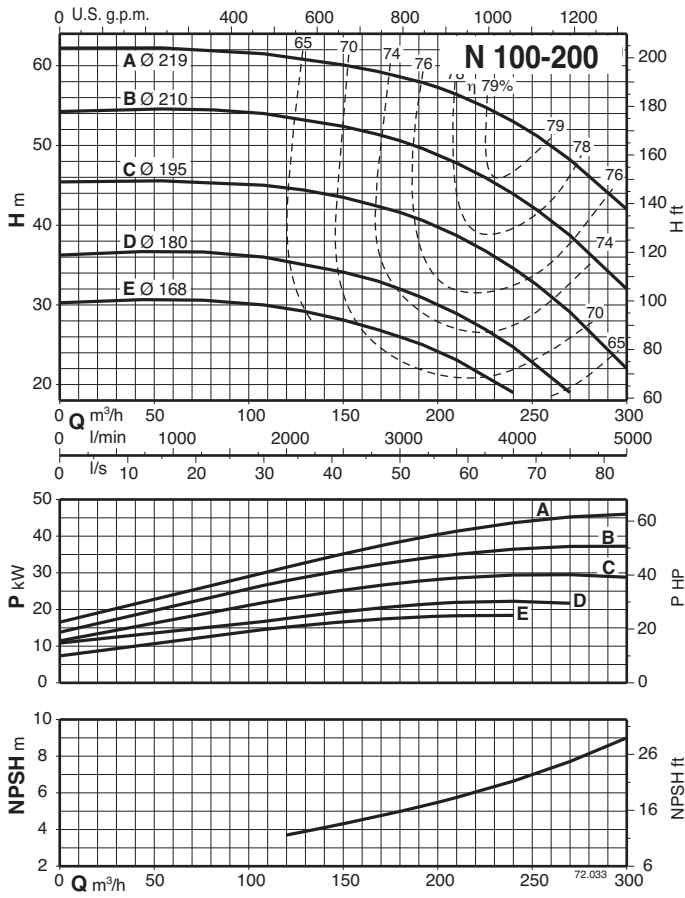




Characteristic curves  $n \approx 2900$  rpm

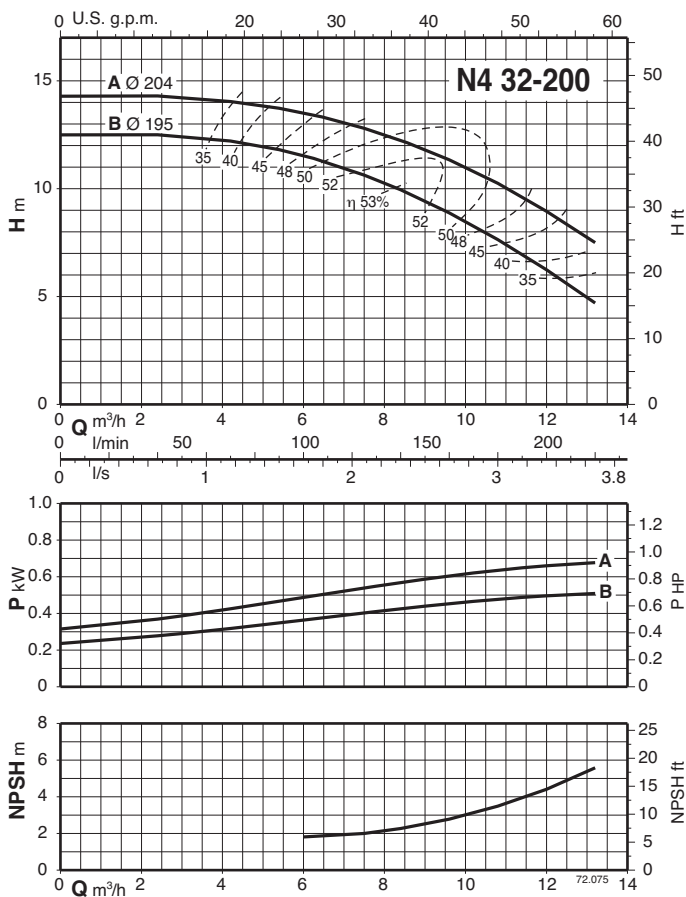
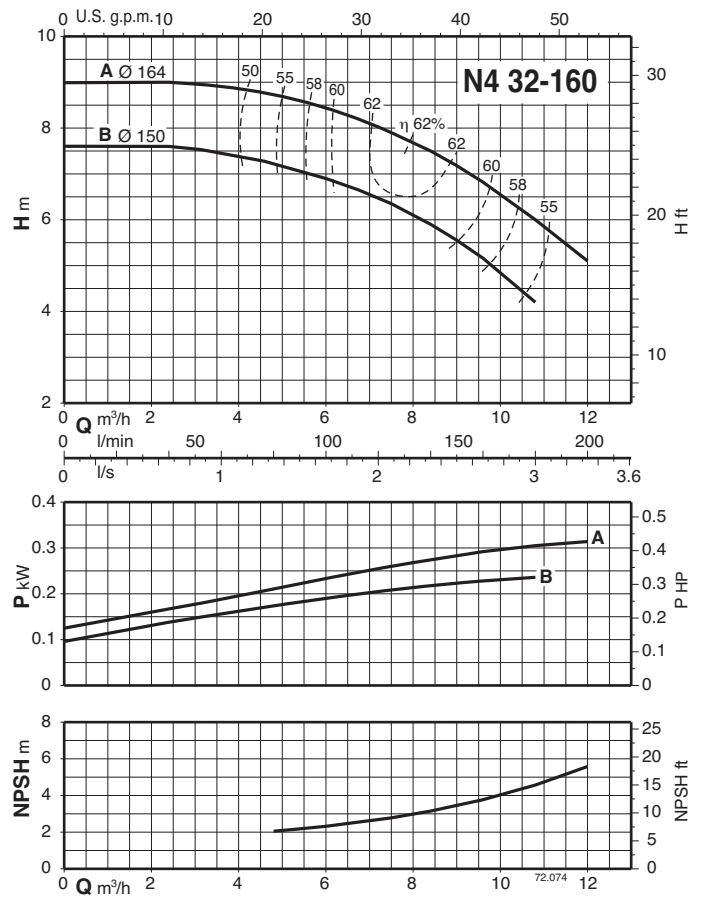
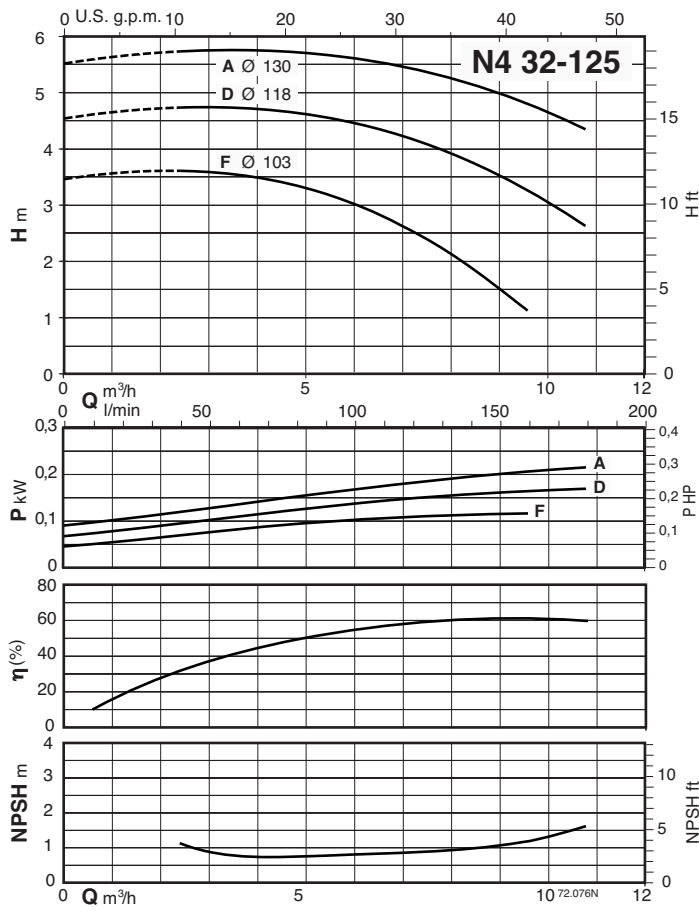


**Characteristic curves  $n \approx 2900$  rpm**

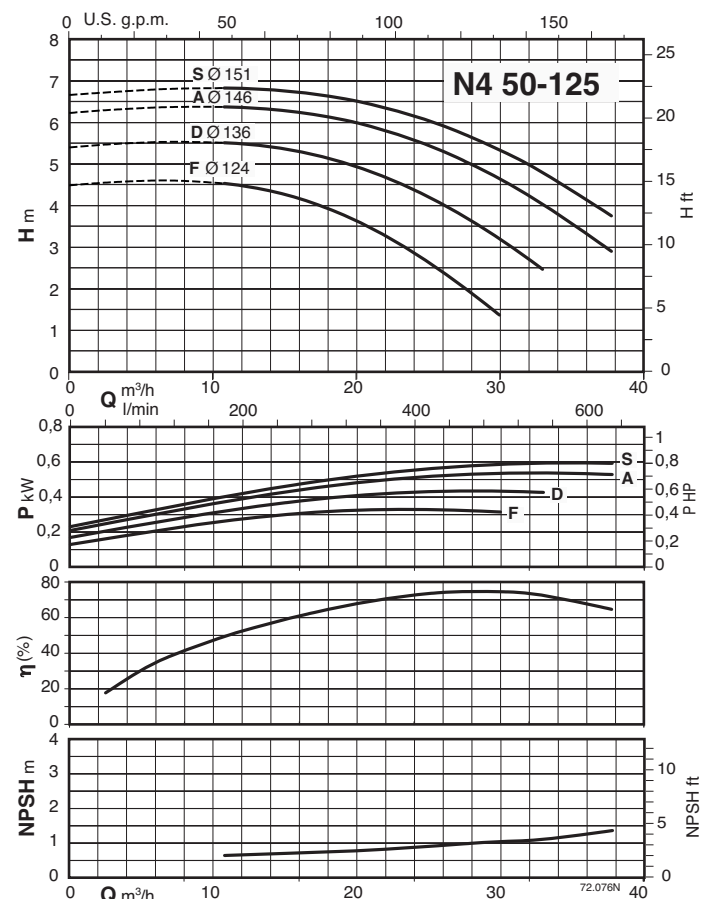
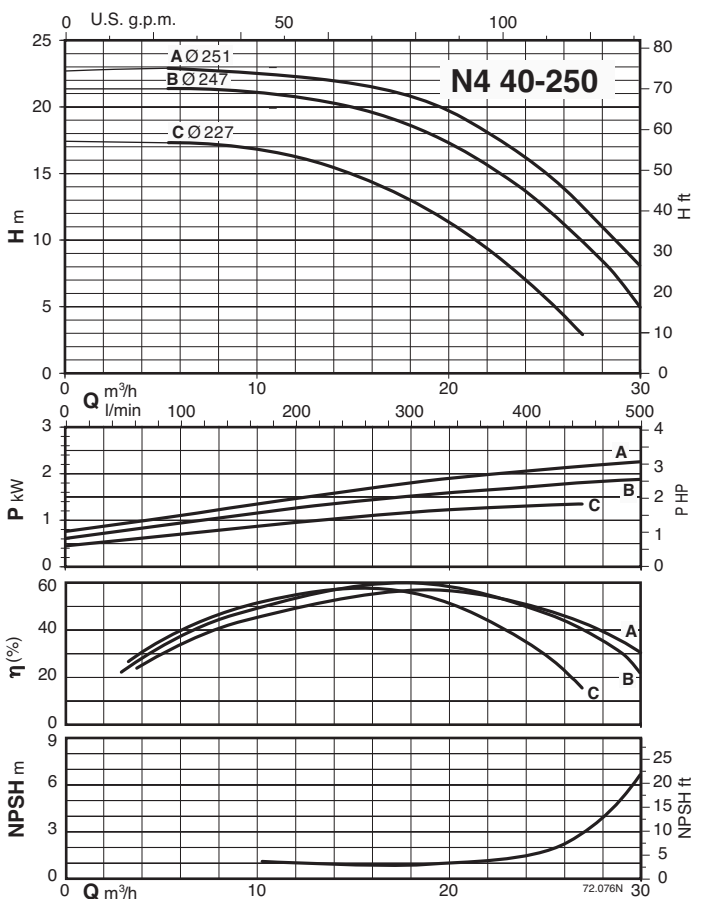
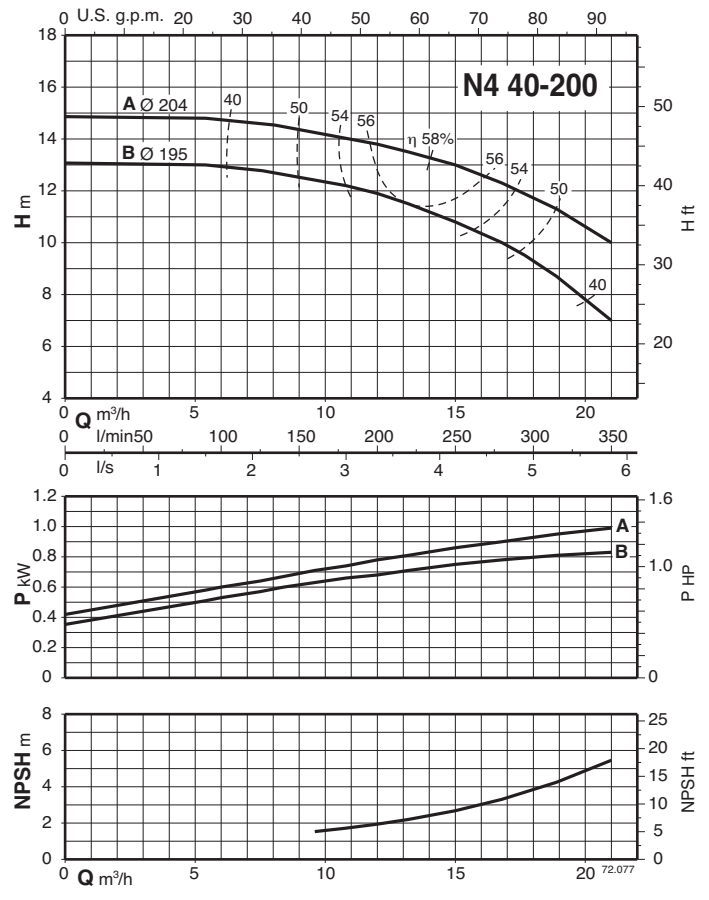
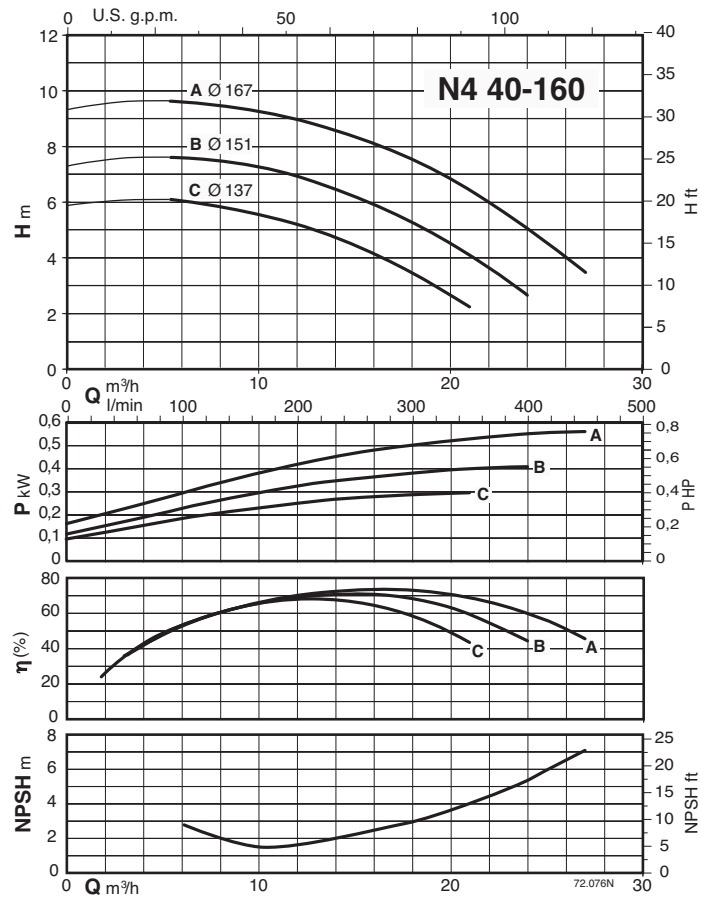




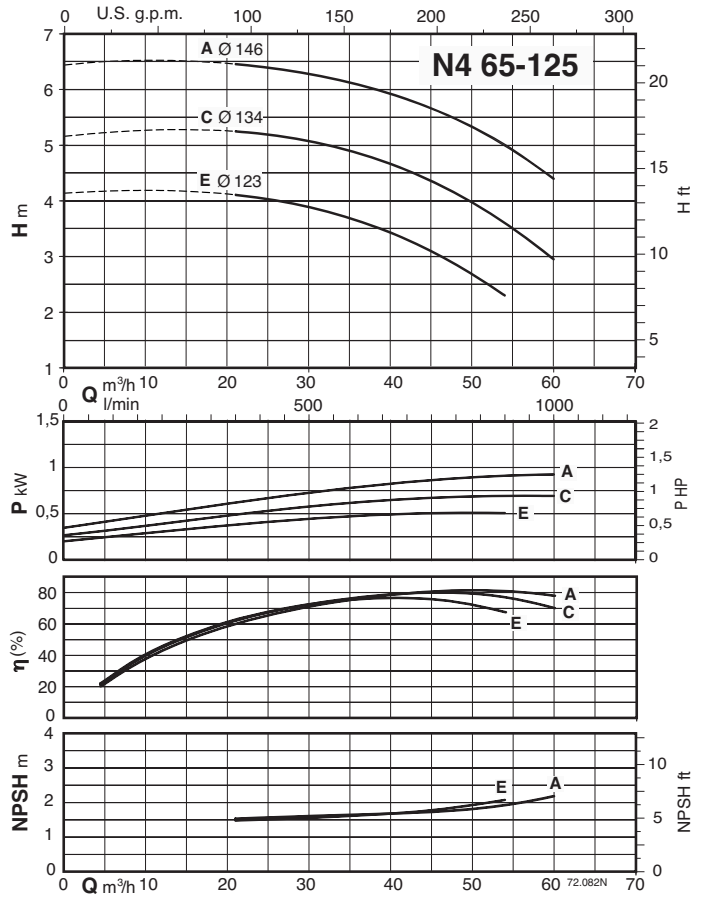
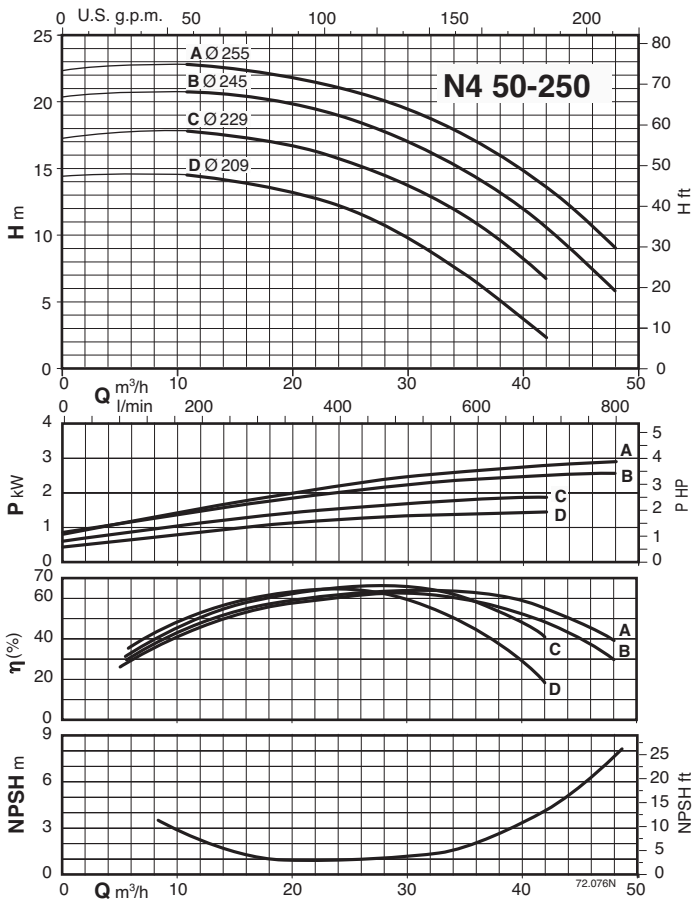
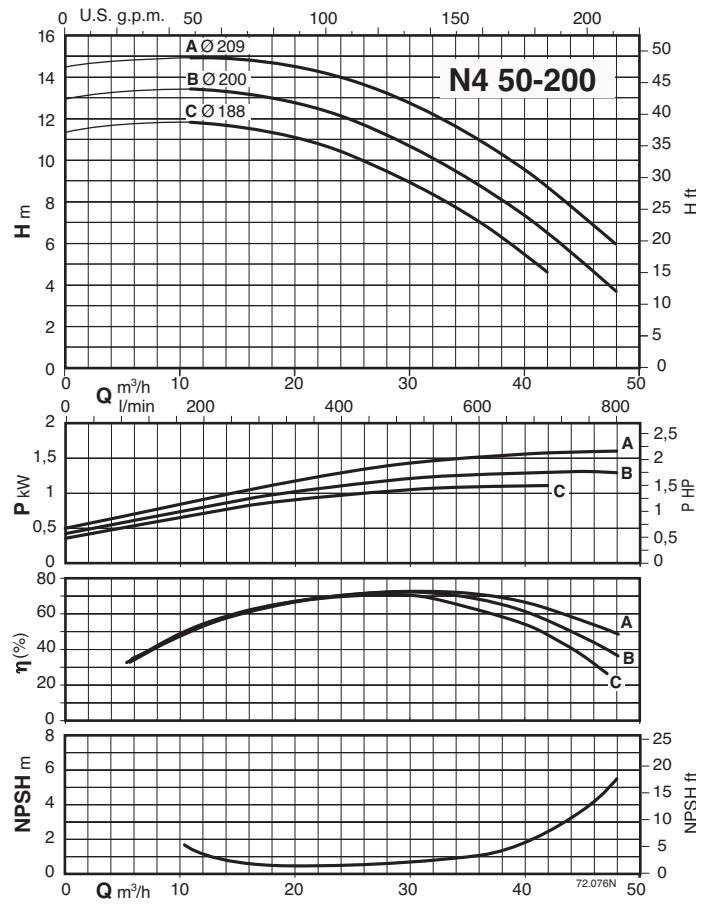
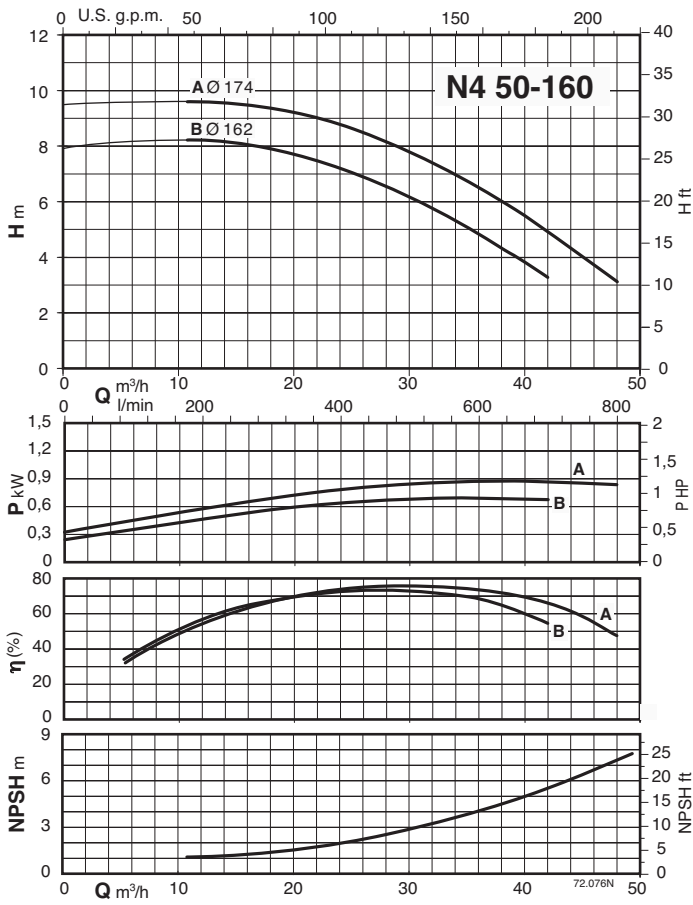
### Characteristic curves $n \approx 1450$ rpm



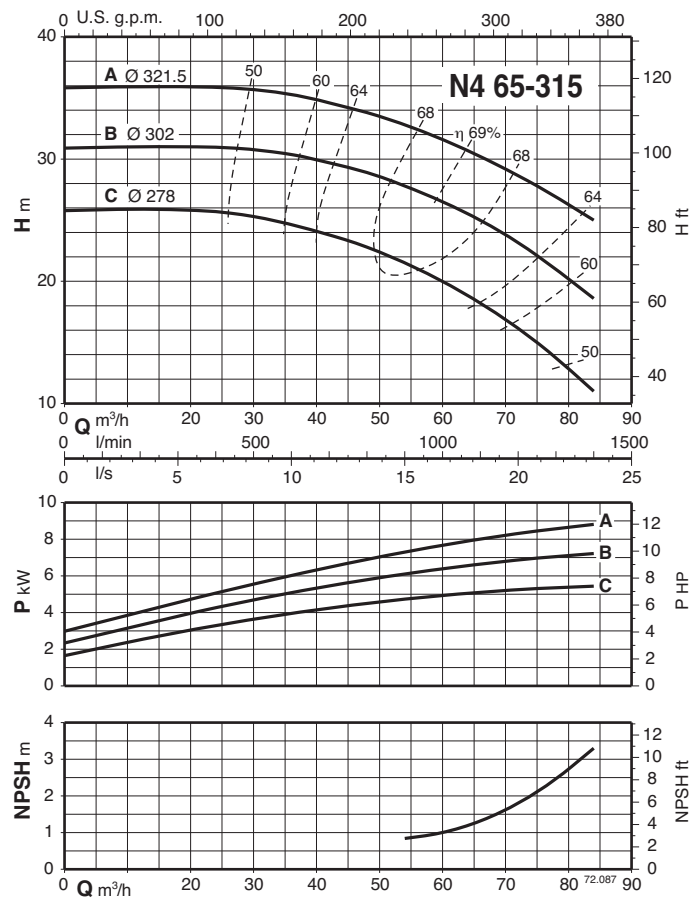
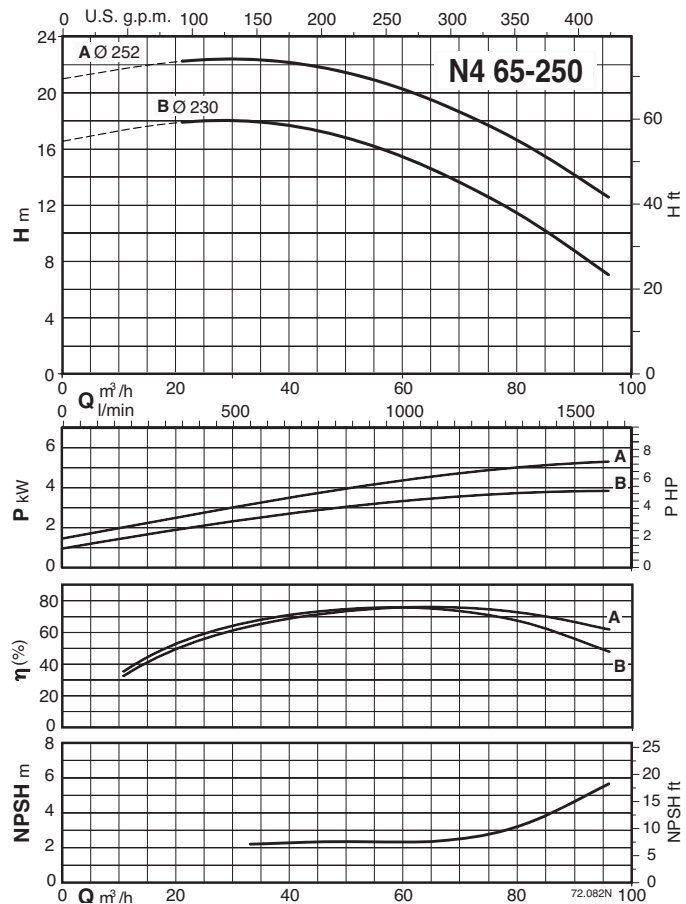
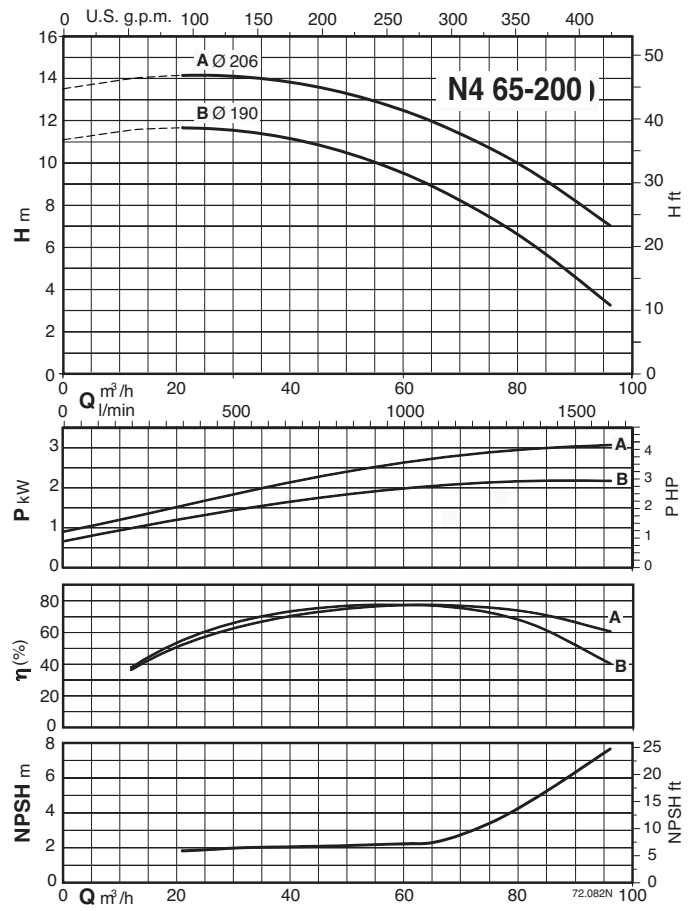
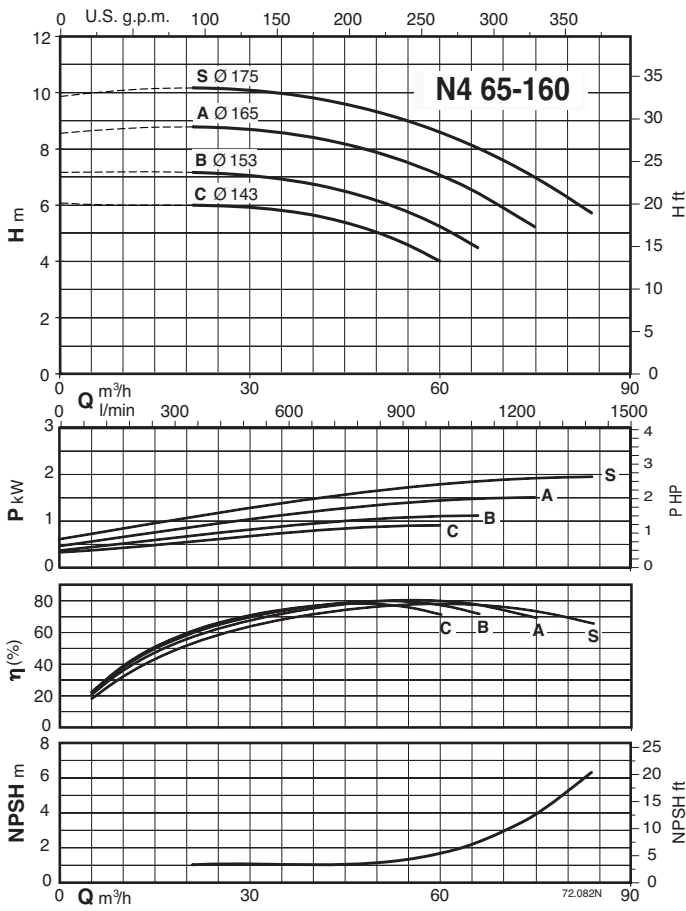
### Characteristic curves $n \approx 1450$ rpm



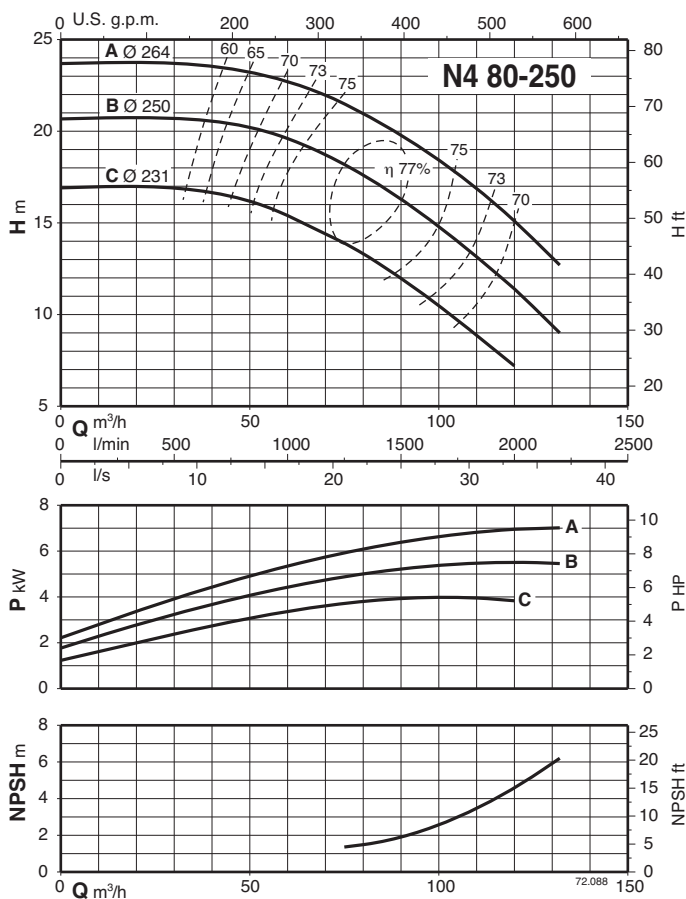
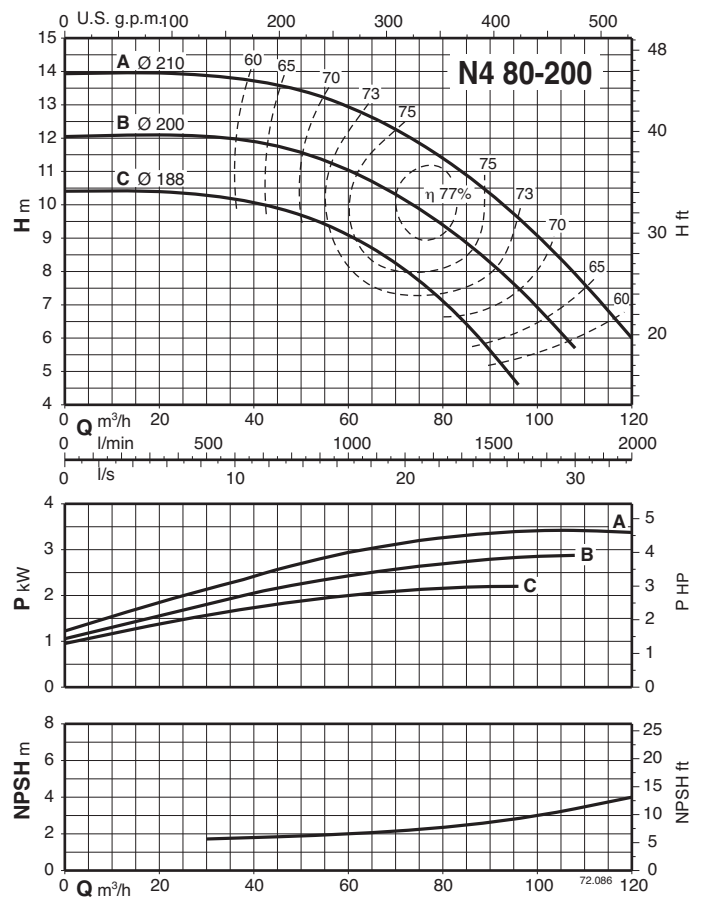
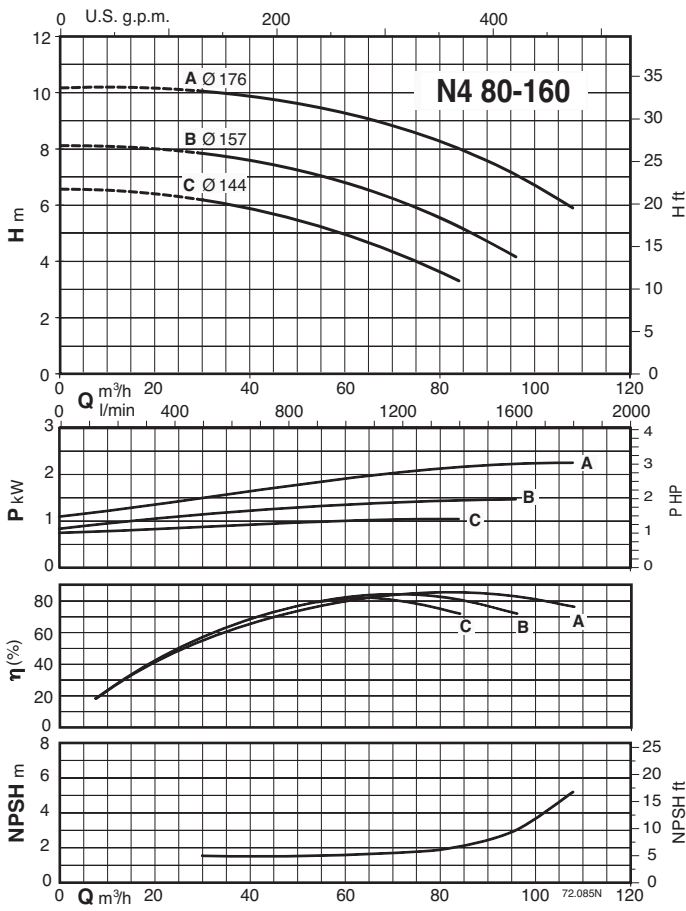
### Characteristic curves $n \approx 1450$ rpm



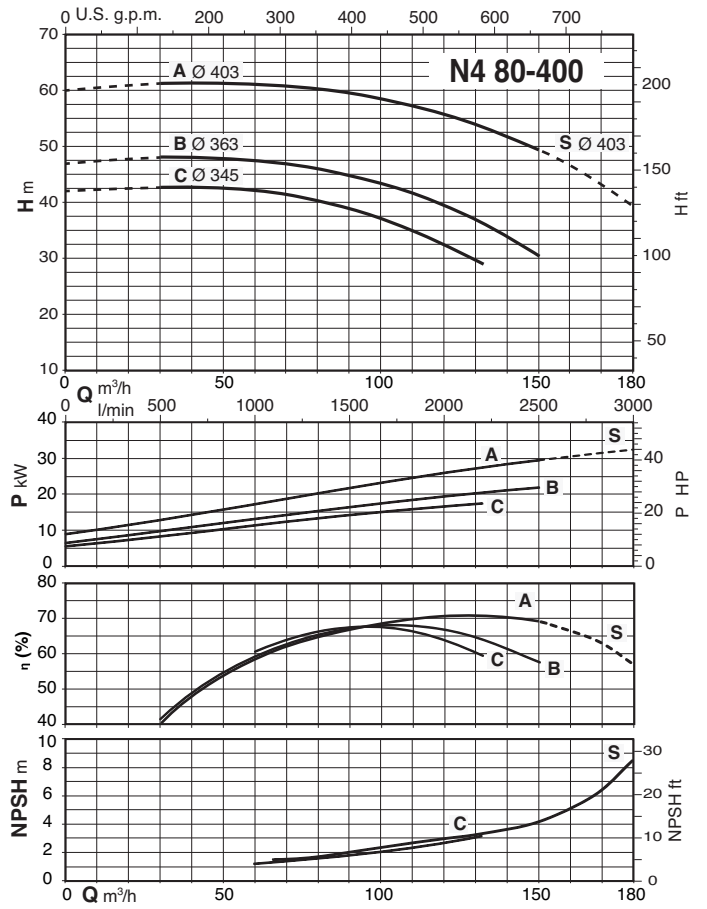
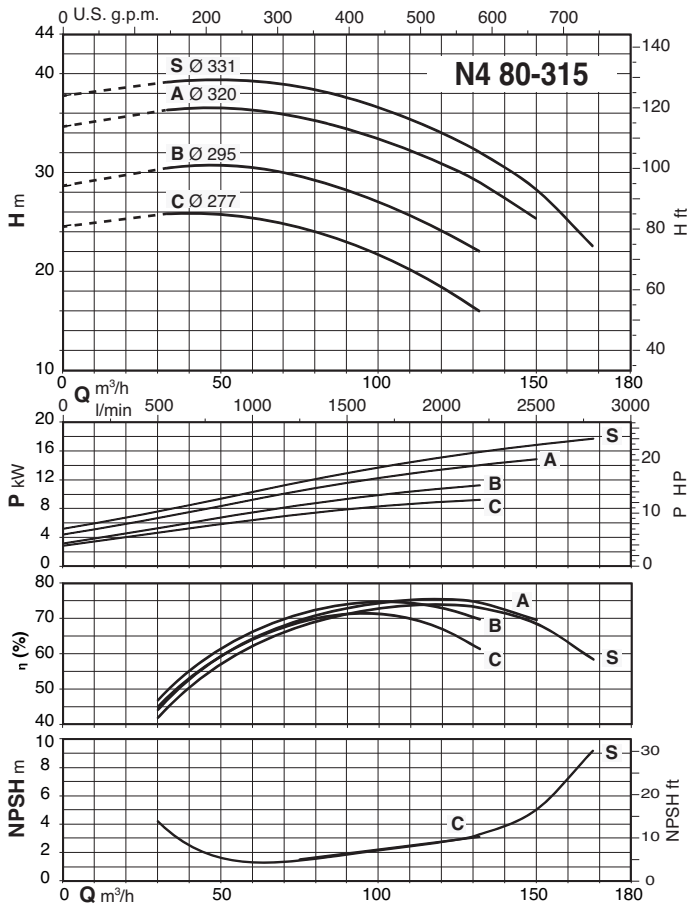
### Characteristic curves $n \approx 1450$ rpm



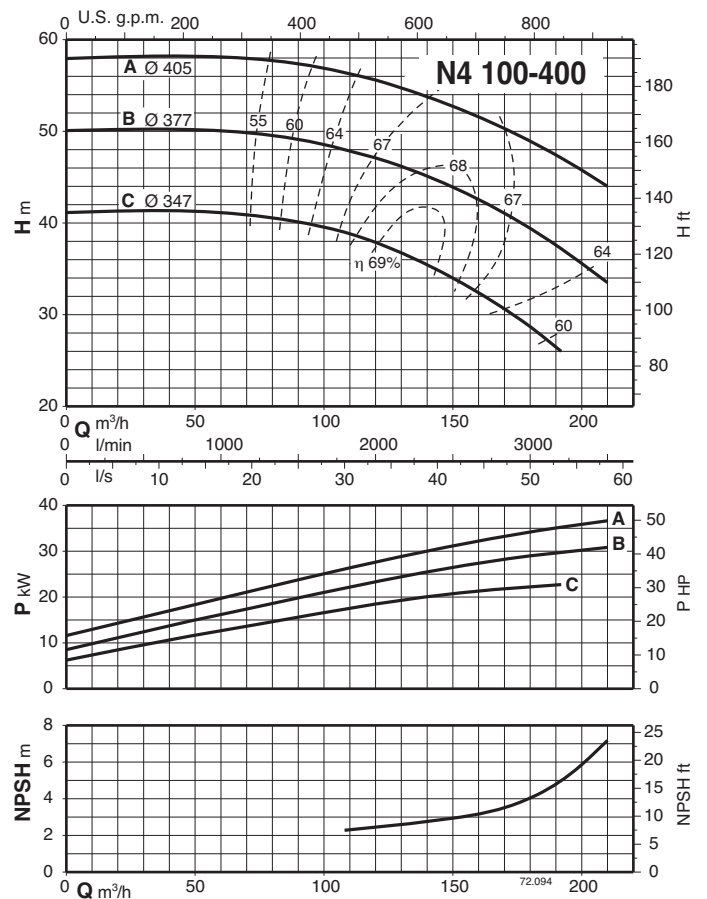
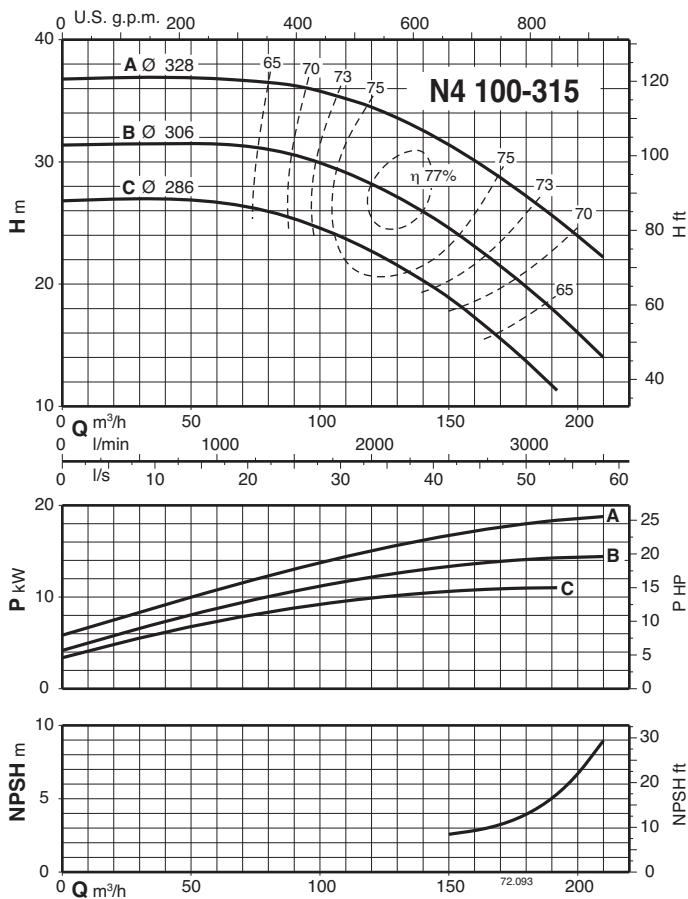
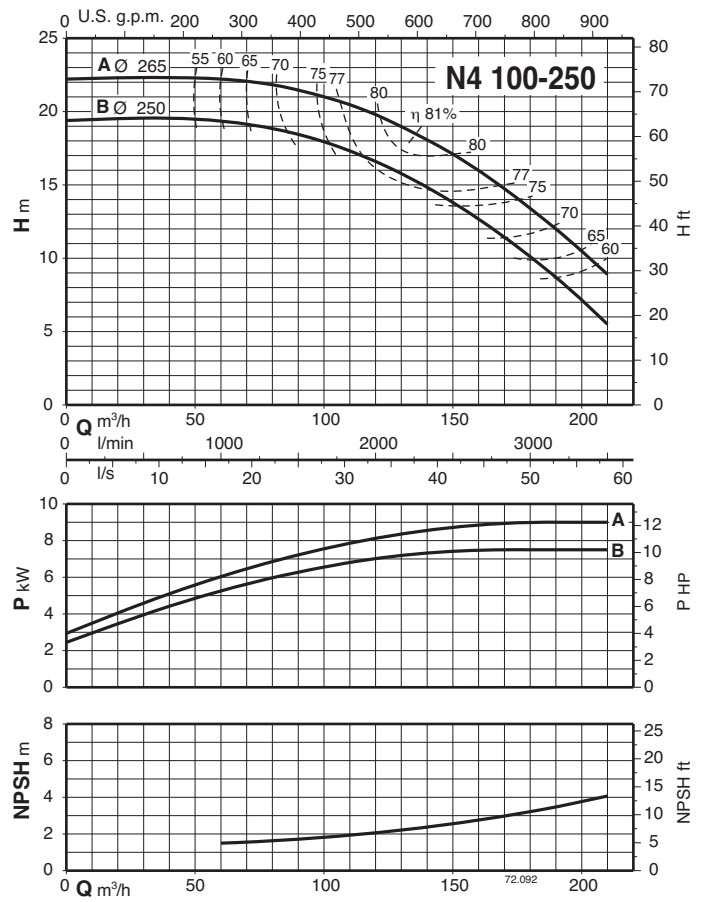
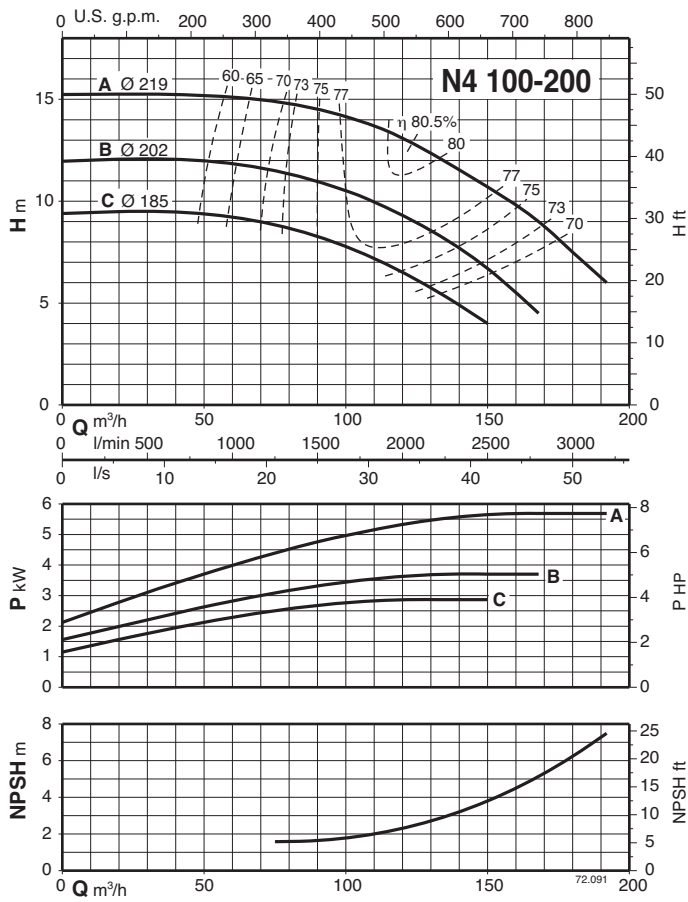
### Characteristic curves $n \approx 1450$ rpm



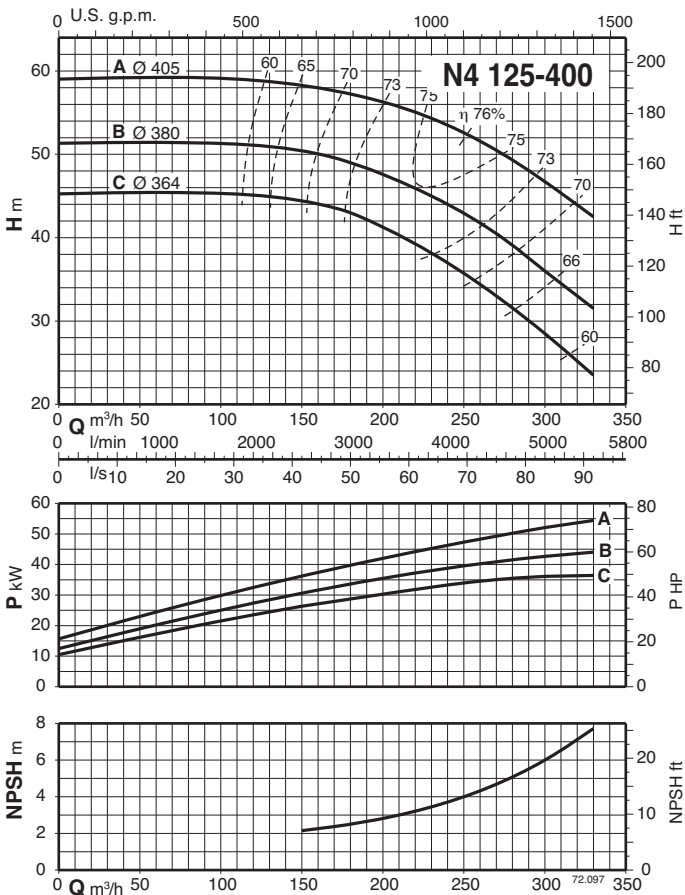
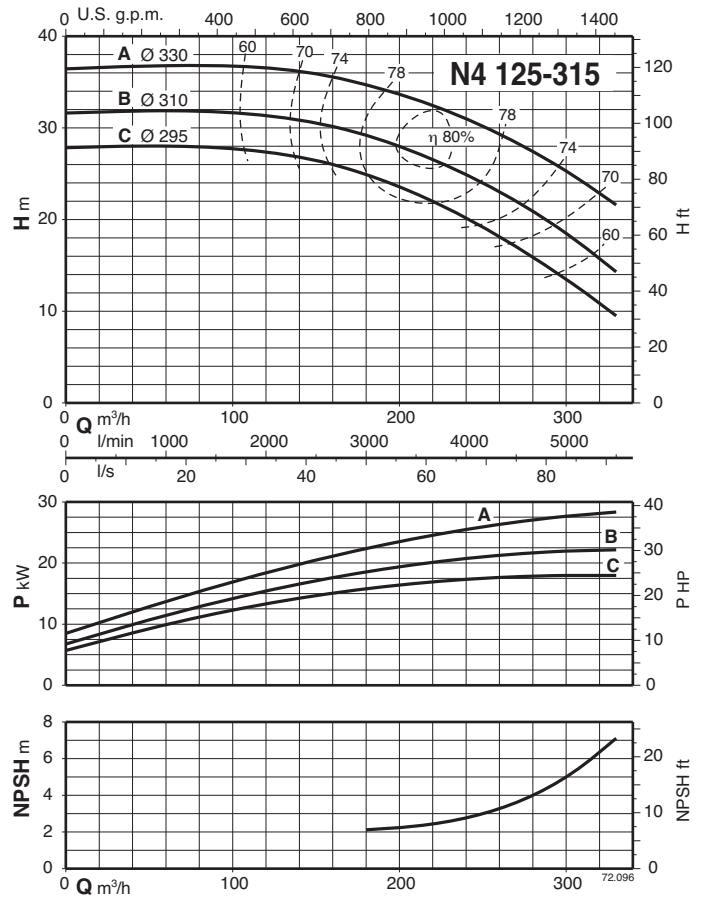
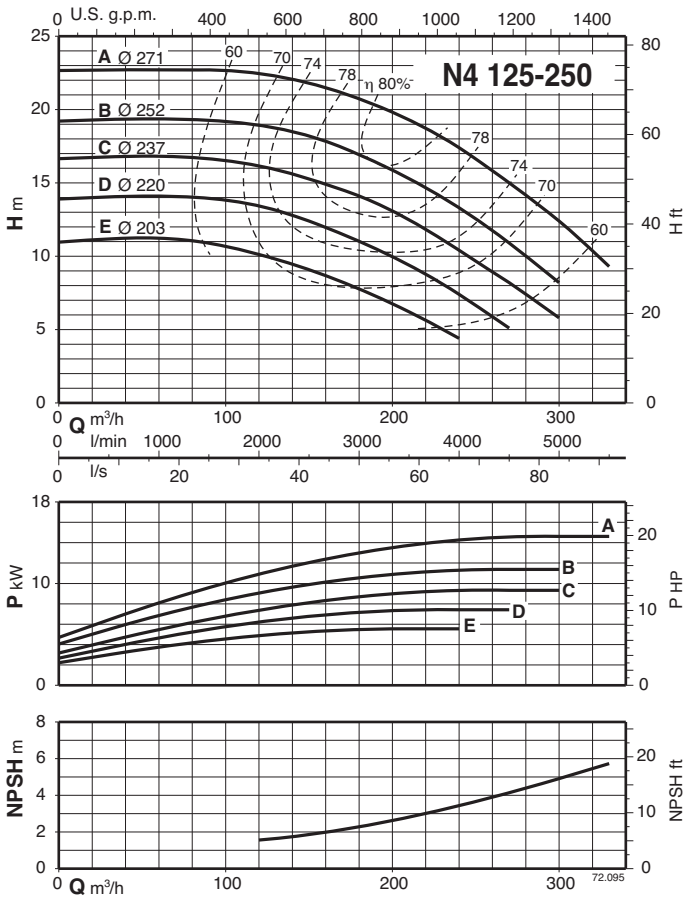
### Characteristic curves $n \approx 1450$ rpm



### Characteristic curves $n \approx 1450$ rpm

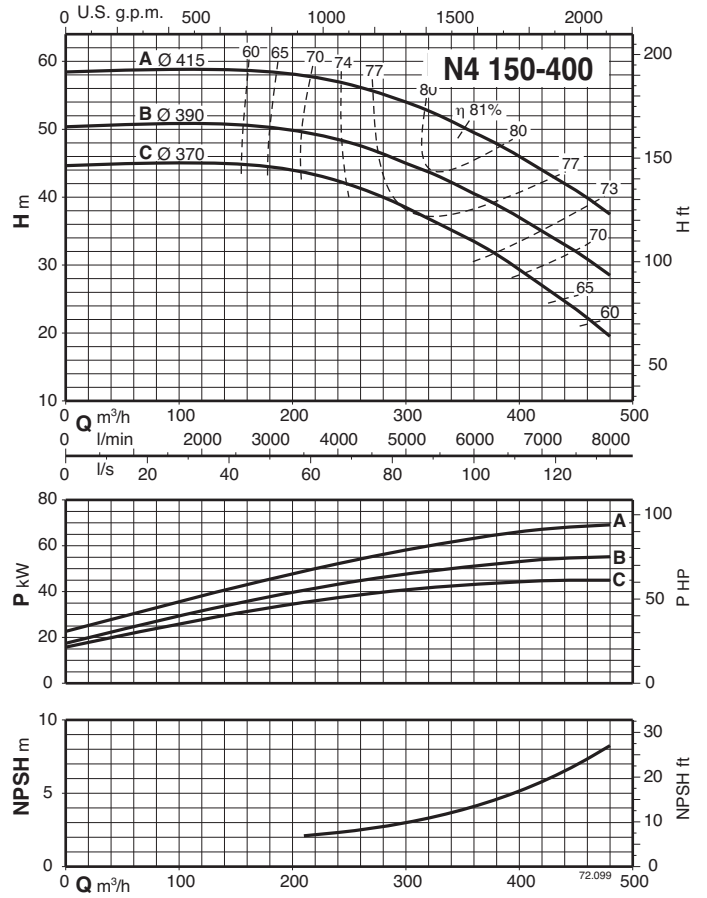
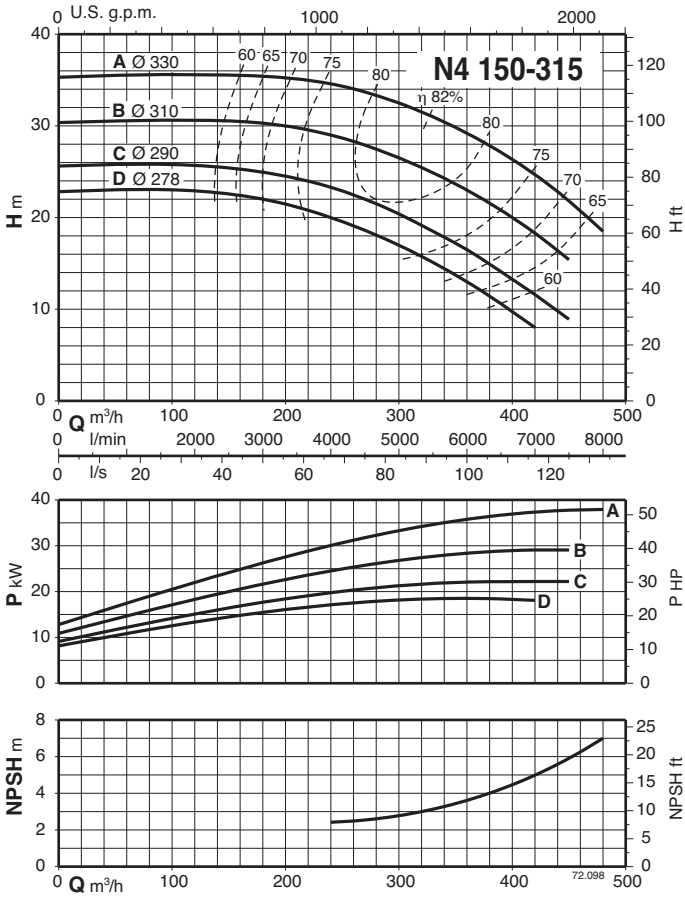


### Characteristic curves $n \approx 1450$ rpm





### Characteristic curves $n \approx 1450$ rpm



### Interchangeability of parts

TYPE	Bearing housing			Pump shaft					Ball bearings				Shaft sealing		
	1	2	3	I	II	III	IV	V	6207 Z 6306 Z	6207 Z 3306	6309 Z 3309	6311 Z 3311	Ø 32	Ø 40	Ø 50
N,N4 32-125	x			x					x				x		
N,N4 32-160	x				x				x				x		
N,N4 32-200	x				x				x				x		
N,N4 40-125	x				x				x				x		
N,N4 40-160	x				x				x				x		
N,N4 40-200C	x				x				x				x		
N,N4 40-200A-AR-B	x					x				x			x		
N,N4 40-250	x					x				x			x		
N,N4 50-125	x				x				x				x		
N,N4 50-160	x					x				x			x		
N,N4 50-200	x					x				x			x		
N,N4 50-250	x					x				x			x		
N,N4 65-125E	x				x				x				x		
N,N4 65-125A-C	x					x				x			x		
N,N4 65-160	x					x				x			x		
N,N4 65-200	x					x				x			x		
N,N4 65-250		x					x				x			x	
N4 65-315		x					x				x			x	
N,N4 80-160	x					x				x			x		
N,N4 80-200		x					x				x			x	
N,N4 80-250		x					x				x			x	
N4 80-315		x					x				x			x	
N4 80-400			x					x				x			x
N,N4 100-200		x					x				x			x	
N,N4 100-250		x					x				x			x	
N4 100-315		x					x				x			x	
N4 100-400			x					x				x			x
N4 125-250		x					x				x			x	
N4 125-315			x					x				x			x
N4 125-400			x					x				x			x
N4 150-315			x					x				x			x
N4 150-400			x					x				x			x

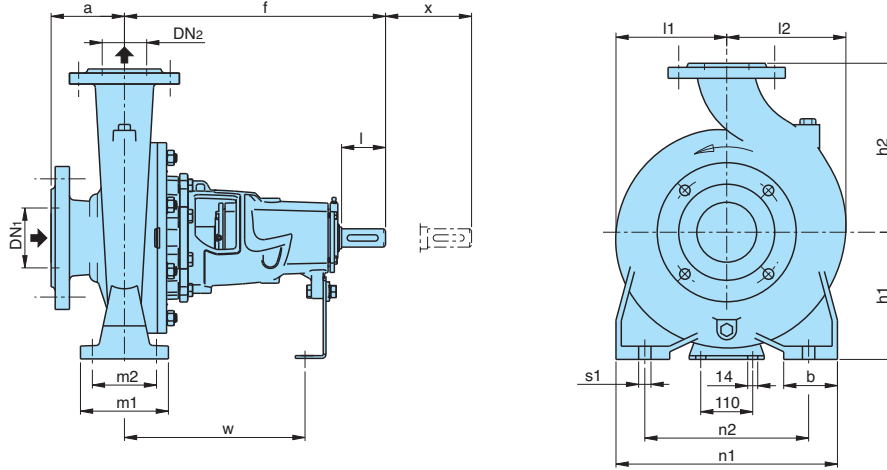
### Maximum permissible rotation speed

3600 rpm			3000 rpm			1800 rpm		
32-125	32-160	32-200						
40-125	40-160	40-200			40-250			
50-125	50-160	50-200			50-250			
65-125	65-160				65-250			
		80-200	80-160		80-250		65-315	
		100-200			100-250		80-315	80-400
							100-315	100-400
							125-315	125-400
							150-315	150-400

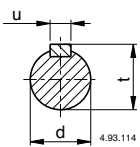
### Suction pipe: recommended minimum inside diameter (DN) for different capacities (Q)

Threaded pipe	DN	G 2		G 2½						
		mm	mm	mm	mm	mm	mm	mm	mm	mm
		50	65	80	100	125	150	200	250	300
Q max	m³/h	10,5	19	28,8	45	75	108	215	350	508

### Dimensions and weights

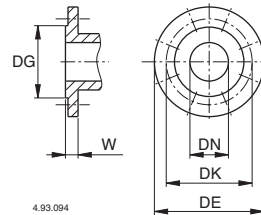


Shaft extension ISO 775 Parallel key UNI 6604



mm			
d	l	u	t
24 j6	50	8	27
32 k6	80	10	35
42 k6	110	12	45

Flanges PN 10, EN 1092-2



mm						
DN	DG	DK	DE	Holes		W
				N°	Ø	
32	76	100	140	4	19	18
40	84	110	150	4	19	18
50	99	125	165	4	19	20
65	118	145	185	4	19	20
80	132	160	200	8	19	22
100	156	180	220	8	19	24
125	184	210	250	8	19	24
150	211	240	285	8	23	26
200	266	295	340	8	23	30

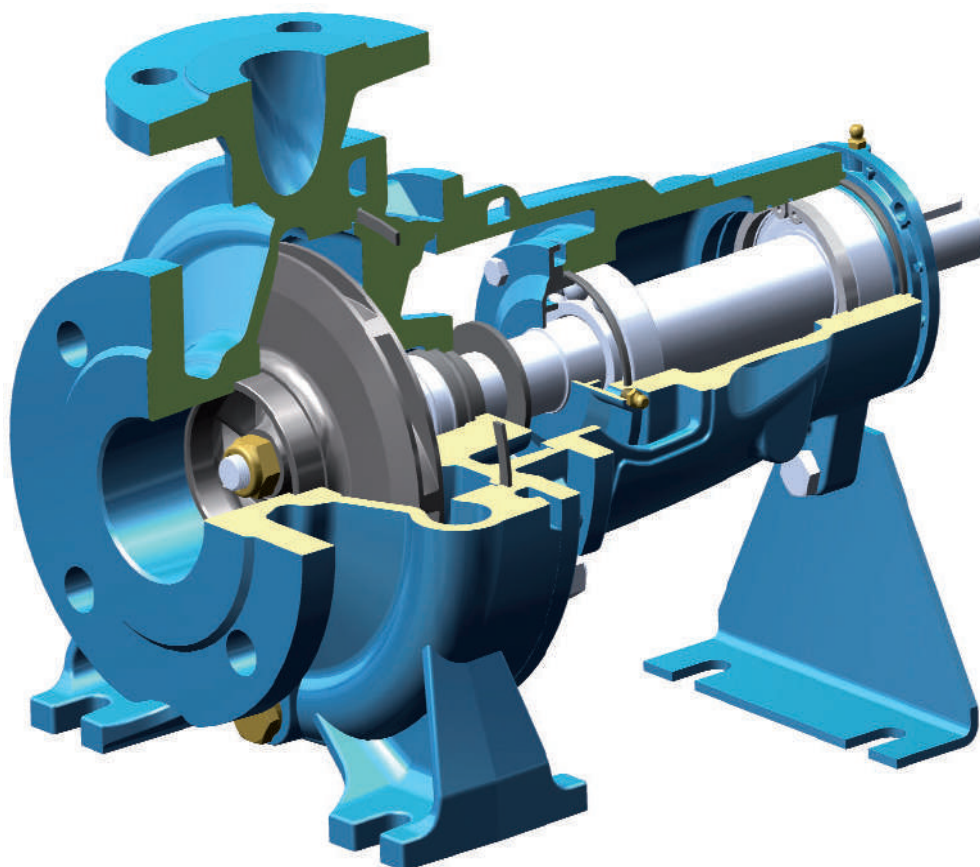
**N** n = 2900 1/min  
**N4** n = 1450 1/min

TYPE	mm																kg				
	DN <sub>1</sub>	DN <sub>2</sub>	a	f	h <sub>1</sub>	h <sub>2</sub>	l <sub>1</sub>	l <sub>2</sub>	m <sub>1</sub>	m <sub>2</sub>	n <sub>1</sub>	n <sub>2</sub>	b	s <sub>1</sub>	d	w	x	B-N	N4		
B-N, B-N4 - N, N4 32-125	50	32	80	360	112	140	93	97	100	70	190	140	50	14	24	260	100	30	26,5		
B-N, B-N4 - N, N4 32-160					132	160	120	120										37	33		
B-N, B-N4 - N, N4 32-200					160	180	140	140										44	38,4		
B-N, B-N4 - N, N4 32L-160					132	160	120	120										35,8	33,2		
B-N, B-N4 - N, N4 32L-200					160	180	140	140			265	212								43,8	40
B-N, B-N4 - N, N4 40-125	65	40	80	360	112	140	100	113	100	70	210	160	50	14	24	260	100	32	28,4		
B-N, B-N4 - N, N4 40-160					132	160	119	119										38	33,6		
B-N, B-N4 - N, N4 40-200					160	180	140	140										47,1	40,4		
B-N, B-N4 - N, N4 40-250					180	225	175	175										63	55		
B-N, B-N4 - N, N4 50-125	65	50	100	360	132	160	121	137	100	70	240	190	50	14	24	260	100	42,4	36,5		
B-N, B-N4 - N, N4 50-160					160	180	127	141										45	39,2		
B-N, B-N4 - N, N4 50-200					160	180	140	153										54	47		
B-N, B-N4 - N, N4 50-250					180	225	175	175										66	57,5		
B-N, B-N4 - N, N4 65-125	80	65	100	360	160	180	134	155	125	95	280	212	65	14	24	260	100	48	38,7		
B-N, B-N4 - N, N4 65-160					180	200	150	172										50,6	44,5		
B-N, B-N4 - N, N4 65-200					180	225	155	175										55,5	50		
B-N, B-N4 - N, N4 65-250					200	250	175	190										103	90		
B-N4 - N4 65-315			125	470	225	280	220	220	160	120	400	315	80	18	32	340	140	149	130		
B-N, B-N4 - N, N4 80-160	100	80	125	470	180	225	165	193	125	95	320	250	65	14	24	260	140	61	53		
B-N, B-N4 - N, N4 80-200					180	250	170	194										93	80,5		
B-N, B-N4 - N, N4 80-250					200	280	191	210										110	95		
B-N4 - N4 80-315					250	315	220	232										154	134		
B-N4 - N4 80-400 <sup>1)</sup>	125	80	125	530	280	355	268	268	160	120	435	355	80	18	42	370	140	220	192		
B-N, B-N4 - N, N4 100-200	125	100	140	470	200	280	180	212	160	120	360	280	80	18	32	340	140	103	89		
B-N, B-N4 - N, N4 100-250					225	315	205	233										123	104		
B-N4 - N4 100-315					250	315	230	250										158	138		
B-N4 - N4 100-400					530	280	355	268										280	230	200	
B-N4 - N4 125-250	150	125	140	530	470	250	235	268	200	150	500	400	100	22	42	370	140	150	129		
B-N4 - N4 125-315					280	355	247	278										217	189		
B-N4 - N4 125-400					315	400	280	305										255	222		
B-N4 - N4 150-315					280	400	260	298										231	201		
B-N4 - N4 150-400	200	150	160	530	315	450	295	328	200	150	550	450	100	22	42	370	140	284	247		

1) Additional size





**Features****Cutting edge hydraulics**

The geometry of the impeller and the pump casing are optimized to achieve maximum efficiency and the best suction capability.

**Flexible**

The option to choose between cast iron and bronze materials for the hydraulic parts in contact with the pumped liquid allows N-N4 series pumps to be selected for use with different types of liquids.

**Robust**

The mechanical structure of the hydraulic parts in contact with the pumped liquid are dimensioned to guarantee the maximum resistance to mechanical stress. Also the casing cover is provided with wings that prevent turbulence in the area of the mechanical seal, increasing the reliability.

**Reliable**

The bearing and shaft are designed to ensure the reduction of the stress, providing high reliability under all operating conditions.

# NR(D), NR4 In-line Pumps

n ≈ 2900 rpm  
n ≈ 1450 rpm



The electropumps NR, NR4 series comply with the European Regulation no. 547/2012.

## Materials

Component	Material
Pump casing Lantern bracket	Cast iron GJL 200 EN 1561
Impeller	Cast iron GJL 200 EN 1561 (Brass P-Cu Zn Pb 2 EN 1982 for NR-NR4 32..., 40..., 50/200)
Shaft	Chrome-nickel steel AISI 303 (Chrome steel AISI 430 from 3 kW to 18,5 kW)
Valve	Chrome-nickel steel AISI 304 - NBR
Mecanical seal	Carbon - Ceramic - NBR
Counterflanges	Steel Fe 42 UNI 7070

## Construction

Close-coupled, single-impeller, centrifugal pumps; electric motor with extended shaft directly connected to the pump.

NR, NR4: Single head pump.

NRD: Twin head pump with built-in automatic switching valve. the two head can operate singularly or in parallel.

Pump casing with suction and delivery connections with the same diameter and on the same axis (in-line).

**Connections:** Flanges PN 10, EN 1092-2.

## Counterflanges (on request)

Sizes	Flanges
NR, NR4 32,40,50,65	Screwed flanges PN 16, EN 1092-1
NRD 50,65	
NR4 100, NR4 125	Flanges for welding PN 10, EN 1092-1

## Version with frequency converter (on request)

## Applications

For clean liquids, without abrasives, which are non-aggressive for the pump materials (contents of solids up to 0.2%).

For heating, conditioning, cooling and circulation plants.

For civil and industrial applications.

When low noise operation is required (n ≈ 1450 rpm).

## Operating conditions

Liquid temperature from -10 °C to +90 °C.

Ambient temperature up to 40 °C.

Total suction lift up to 7 m.

Maximum permissible working pressure up to 10 bar.

Continuous duty.

## Motor

2-pole induction motor, 50 Hz (n ≈ 2900 rpm).

**NR(D)** : three-phase 230/400 V ± 10% up to 3 kW;  
400/690 V ± 10% from 4 to 18,5 kW.

**NRM** : single-phase 230 V ± 10%.

4-pole induction motor, 50 Hz (n ≈ 1450 rpm).

**NR4**: three-phase 230/400 V ± 10% up to 3 kW;  
400/690 V ± 10% for 4 kW.

**NRM4**: single-phase 230 V ± 10%.

Insulation class F.

Protection IP 54.

Motor suitable for operation with frequency converter from 0,75 kW for NR4 and from 1,1 kW for NR(D).

**Classification scheme IE3 for three-phase motors from 0,75 kW.**

Constructed in accordance with EN 60034-1, EN 60034-30-1,  
EN 60335-1, EN 60335-2-41.

## Special features on request

- Other voltages.
- Protection IP 55.
- Frequency 60 Hz
- Special mechanical seal.
- Higher or lower liquid or ambient temperatures.
- Motor suitable for operation with frequency converter up to 0,55 kW for NR4 and up to 0,75 kW for NR.

## Pumps with frequency converter

The **NR(D) EI, NR4 EI**, pumps are available with power from 0,25 kW up to 18,5 kW, the pumps are equipped with **I-MAT** installed on board which allows to realize a variable-speed system extremely compact and efficient, ideal in applications of water supply and in the distribution of hot and cold water.

The pump is equipped with transducers suitable for operation and is already programmed at the factory.

### Advantages

- Energy saving
- Compact design
- Easy to use
- Programmable to suit the system requirements
- Reliability

### Costruction

The system comprises of:

- Pump
- Induction motor (2 for NRD EI)
- I-MAT Frequency converter (2 for NRD EI)
- Motor adapter for the motor mounting of the frequency converter (2 for NRD EI)
- Connection cable between frequency converter and induction motor
- Transducers
- Communication cable for cascade mode for NRD EI
- 2 Cascade mode expansion board for NRD EI

### Main features

- Rated motor power output from 0,25 kW to 18,5 kW
- Control range from 1750 to 2900 rpm (2-pole)
- Control range from 870 to 1450 rpm (4-pole)
- Protection against dry running
- Protection against operations with closed valve ports
- Protection against system leakages
- Protection against overcurrent in the motor
- Protection against overvoltage and undervoltage of the power supply
- Protection against current unbalances between phases

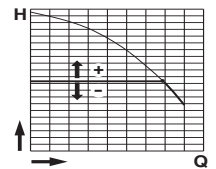


## Operating modes



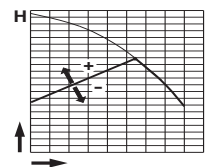
### Constant pressure mode with pressure transducer

In this mode, the system maintains the preset pressure when the flow required by the installation changes.



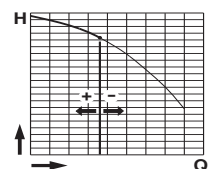
### Proportional pressure mode with pressure transducer

In this mode the system changes the working pressure according to the required flow rate.



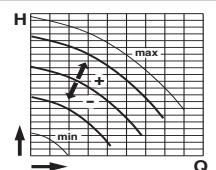
### Constant flow mode with flow meter

In this mode the system maintains a constant flow rate value in a point of the installation according to the required pressure.



### Fixed speed mode with setting of the speed preferential rotation.

In this mode, by changing the working frequency, you may choose any operational curve included within the working range.

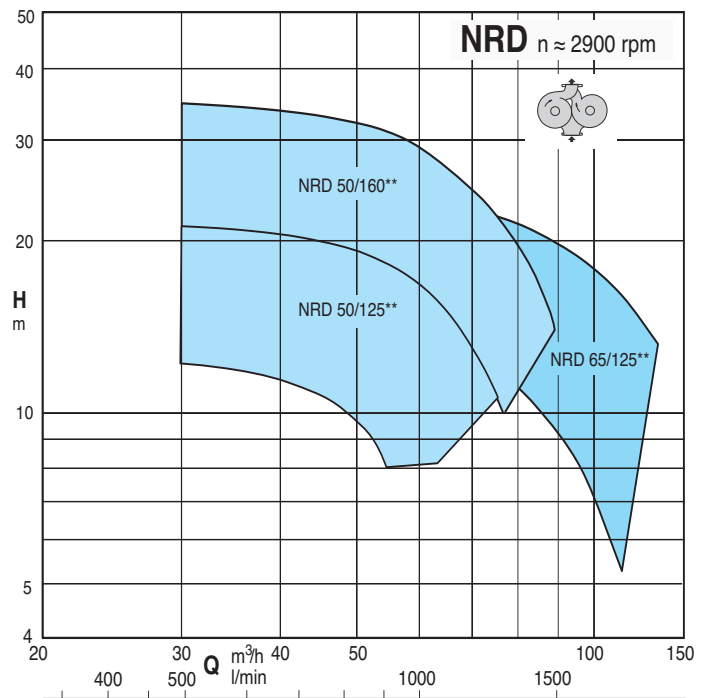
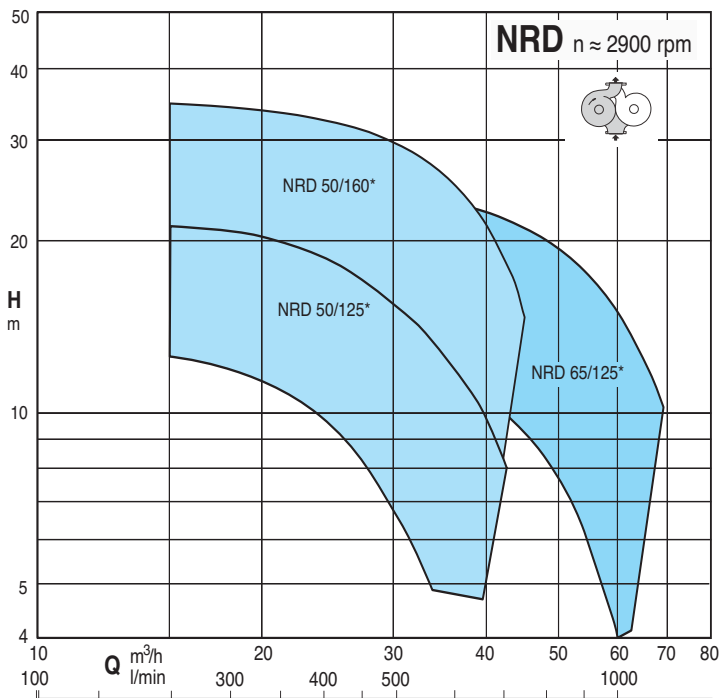
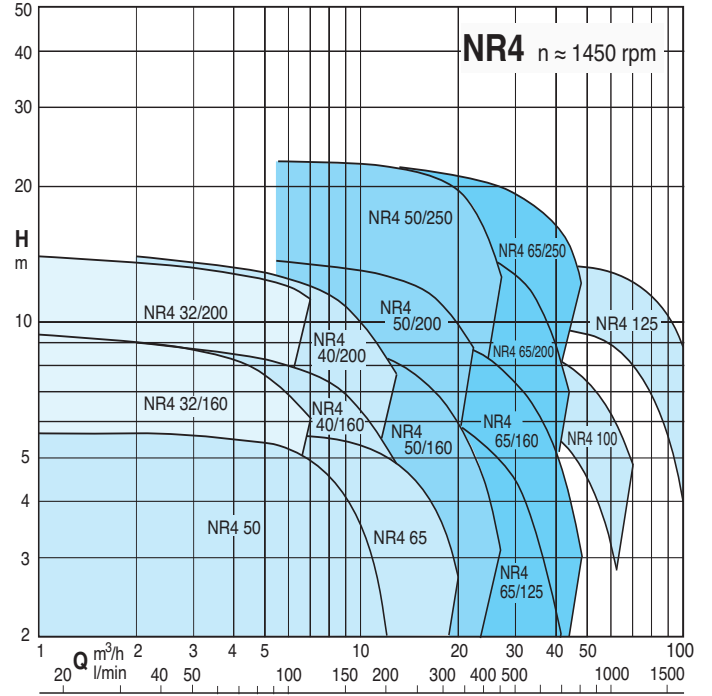
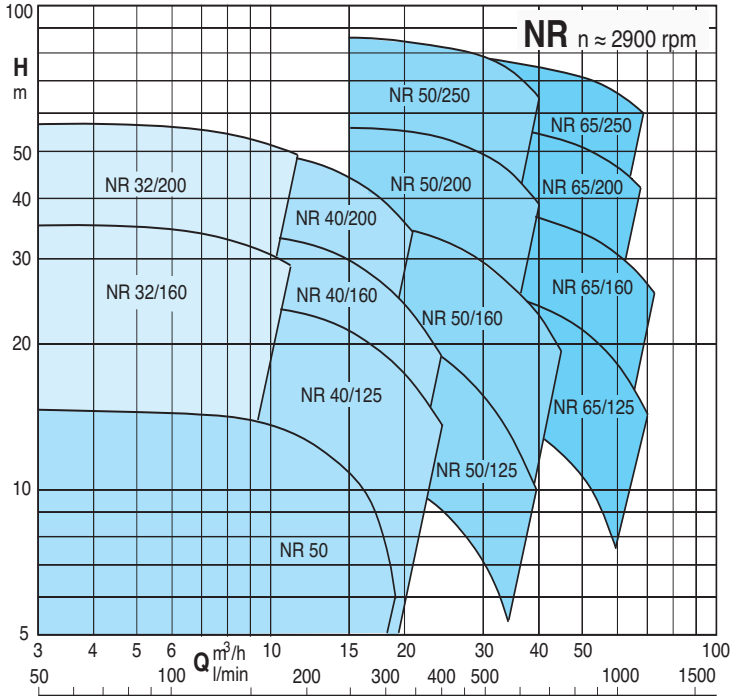


### Constant temperature mode with temperature transducer

In this mode the system keeps the temperature constant inside a system by changing the speed of the pump.



### Coverage chart



\* Single operation  
 \*\* Parallel operation





**Performance  $n \approx 2900$  rpm**
**Single operation**

3 ~	230V		400V		P <sub>2</sub>		Q																			
	A	A	kW	HP	m <sup>3</sup> /h	l/min	0	15	16,8	18,9	21	24	27	30	33	37,8	39	42	45							
NRD 50-125F	4,6	2,7	1,1	1,5	H m	13,7	13,2	12,7	12,0	11,2	9,9	8,5	6,8	4,8												
NRD 50-125C	7,5	4,3	1,5	2		17,8	17,8	17,4	16,8	16,0	14,8	13,3	11,7	9,9	6,8	5,9										
NRD 50-125A	9,2	5,3	2,2	3		20,8	21,2	20,9	20,5	19,9	18,7	17,4	15,8	14,1	11,1	10,4	8,3									
NRD 50-160C	9,2	5,3	2,2	3		23,4	22,9	22,4	21,7	20,9	19,4	17,7	15,7	13,4	9,1	7,8										
NRD 50-160B	11,5	6,6	3	4		25,6	25,0	24,6	24,0	23,3	22,0	20,4	18,5	16,2	11,9	10,7	7,5									
NRD 50-160A		9,6	4	5,5		34,0	34,6	34,3	33,8	33,2	32,0	30,5	28,7	26,7	22,8	21,7	18,8	15,6								

3 ~	230V		400V		P <sub>2</sub>		Q																		
	A	A	kW	HP	m <sup>3</sup> /h	l/min	0	21	24	27	30	33	37,8	42	48	54	60	66	69						
NRD 65/125F	9,2	5,3	2,2	3	H m	16,2	14,9	14,4	13,8	13,2	12,5	11,3	10,1	8,2	6,1	3,9									
NRD 65/125D	11,5	6,6	3	4		20,4	19,1	18,6	18,1	17,5	16,9	15,7	14,4	12,4	10,0	7,2	4,3								
NRD 65/125A		9,6	4	5,5		25,3	25,0	24,7	24,3	23,8	23,2	22,1	21,0	19,1	16,9	14,3	11,5	9,9							

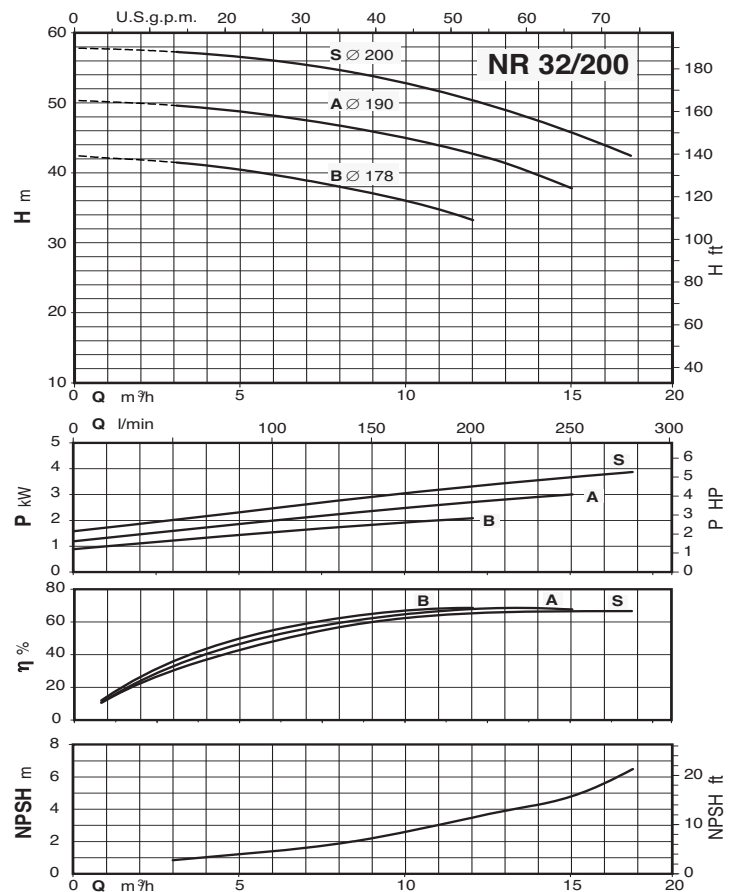
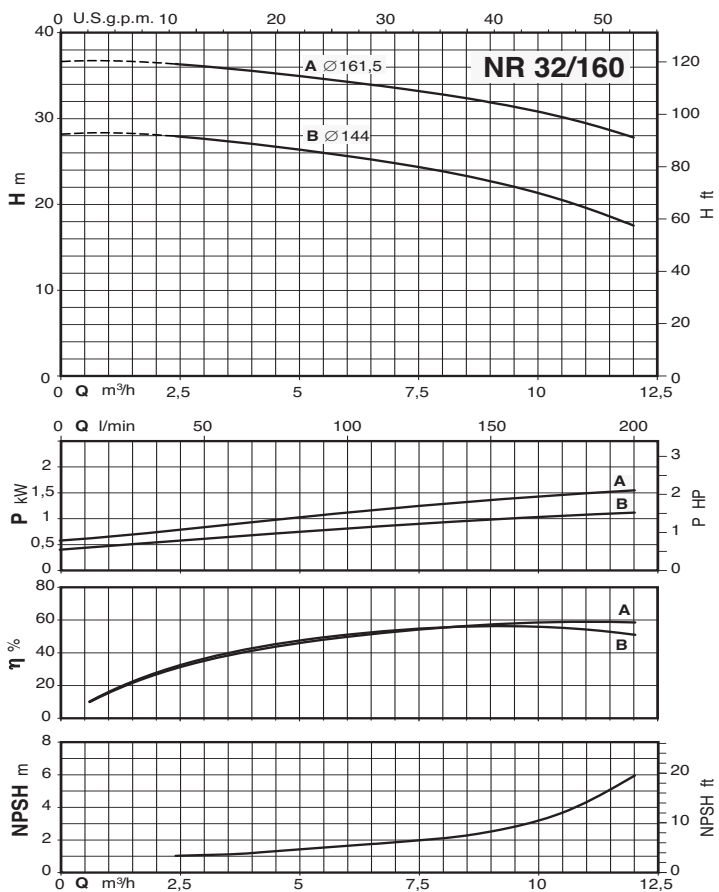
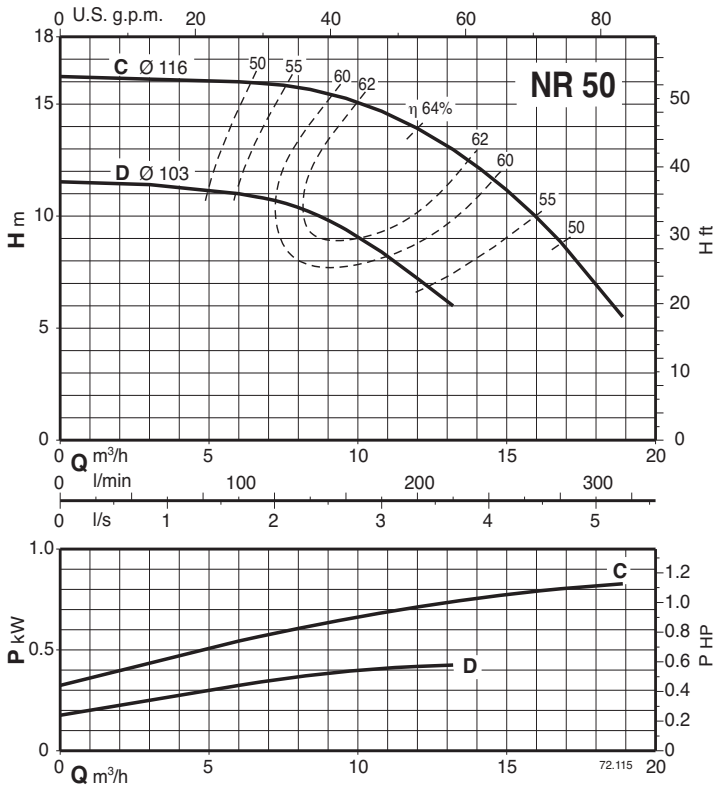
**Parallel operation**

3 ~	230V		400V		P <sub>2</sub>		Q																		
	A	A	kW	HP	m <sup>3</sup> /h	l/min	0	30	33	37,8	42	48	54	60	66	75	84	90							
NRD 50-125F	4,6 x2	2,7 x2	1,1 x2	1,5 x2	H m	13,7	13,3	12,9	12,0	11,1	9,7	8,1													
NRD 50-125C	7,5 x2	4,3 x2	1,5 x2	2 x2		17,8	17,7	17,4	16,7	15,9	14,5	12,9	11,1	9,3											
NRD 50-125A	9,2 x2	5,3 x2	2,2 x2	3 x2		20,8	21,0	20,8	20,3	19,7	18,5	17,1	15,4	13,5	10,8										
NRD 50-160C	9,2 x2	5,3 x2	2,2 x2	3 x2		23,4	22,9	22,5	21,7	20,8	19,2	17,2	15,0	12,3											
NRD 50-160B	11,5 x2	6,6 x2	3 x2	4 x2		25,6	25,0	24,6	23,9	23,1	21,6	19,9	17,7	15,1	10,3										
NRD 50-160A		9,6 x2	4 x2	5,5 x2		34,0	34,2	34,0	33,5	32,9	31,7	30,2	28,2	25,9	21,8	17,0	13,2								

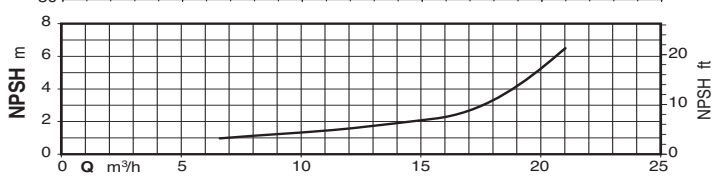
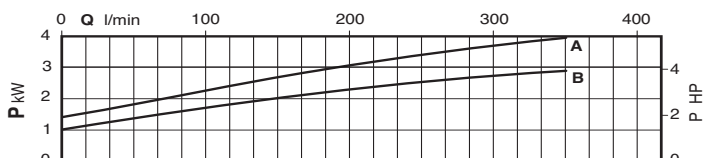
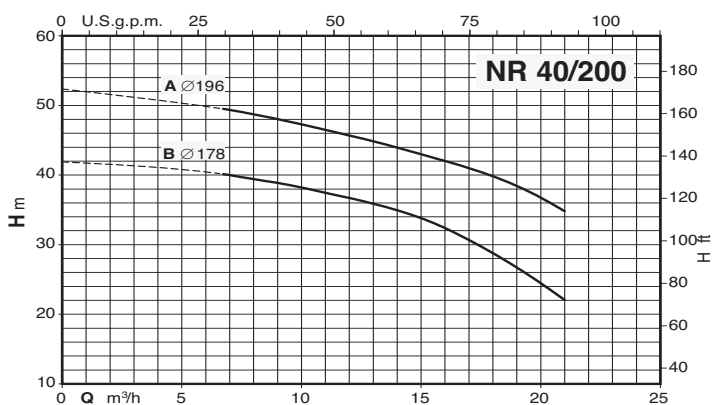
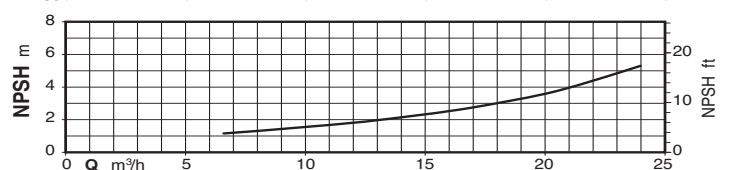
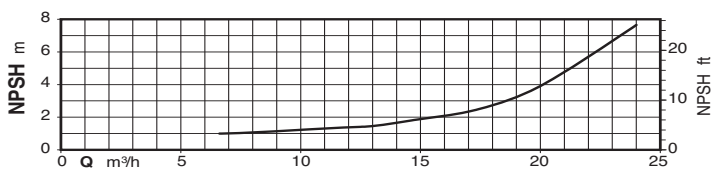
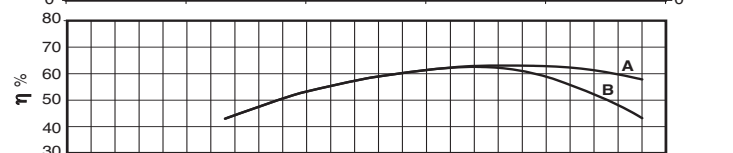
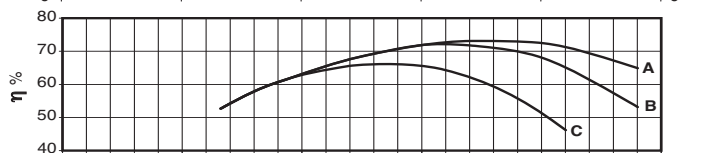
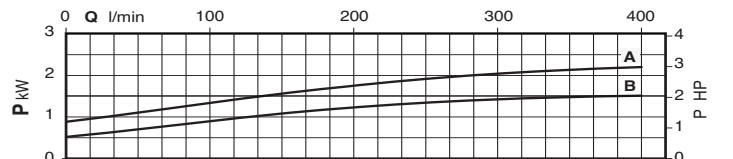
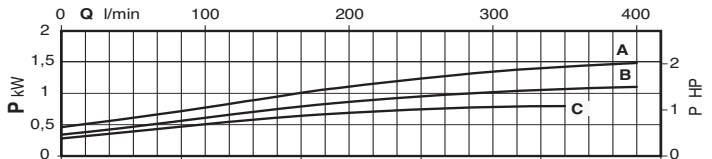
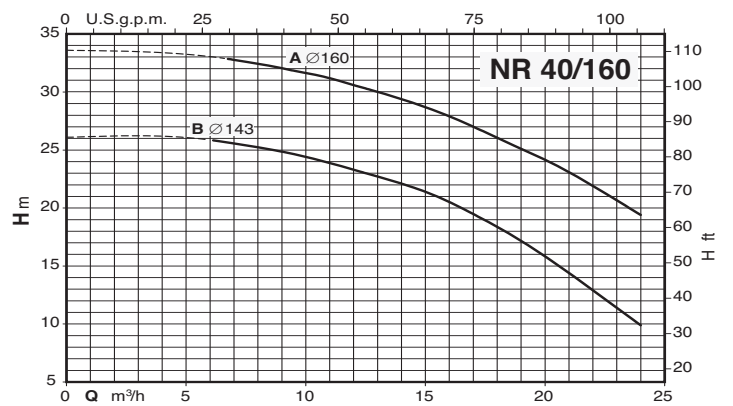
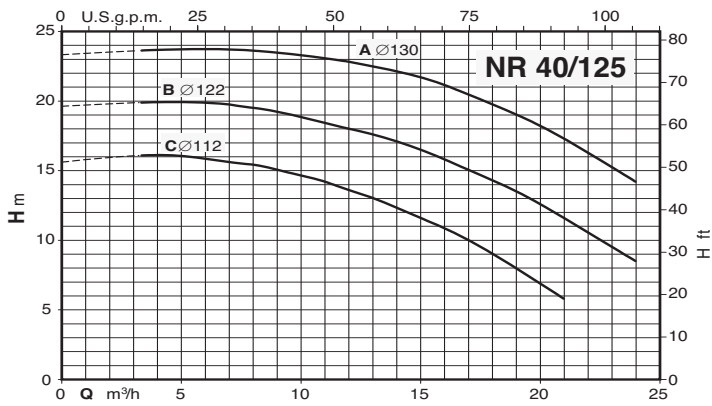
3 ~	230V		400V		P <sub>2</sub>		Q																		
	A	A	kW	HP	m <sup>3</sup> /h	l/min	0	42	48	54	60	66	75	84	96	108	120								
NRD 65/125F	9,2 x2	5,3 x2	2,2 x2	3 x2	H m	16,2	15,2	14,8	14,4	13,8	13,0	11,7	10,2	7,9	5,2										
NRD 65/125D	11,5 x2	6,6 x2	3 x2	4 x2		20,4	19,8	19,4	18,9	18,4	17,7	16,5	15,0	12,7	10,0										
NRD 65/125A		9,6 x2	4 x2	5,5 x2		25,3	24,9	24,6	24,2	23,7	23,1	22,0	20,7	18,5	16,0	13,1									

P1 Max. power input. P2 Rated motor power output. Tolerances according to UNI EN ISO 9906:2012

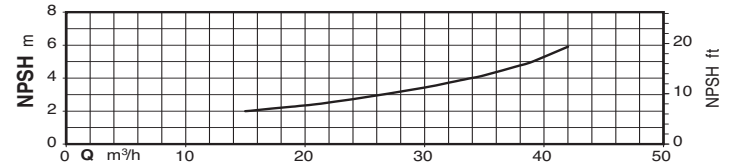
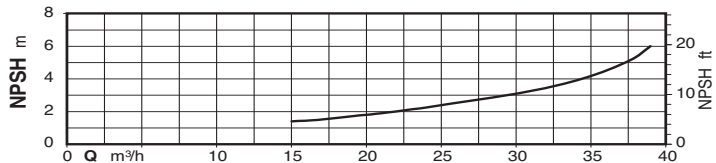
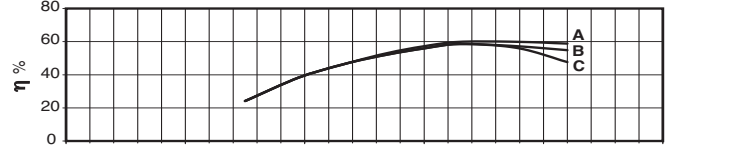
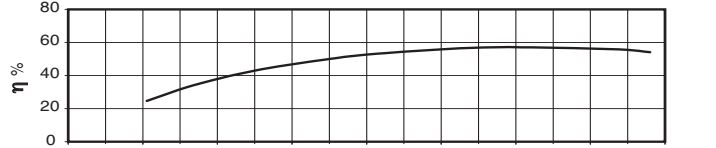
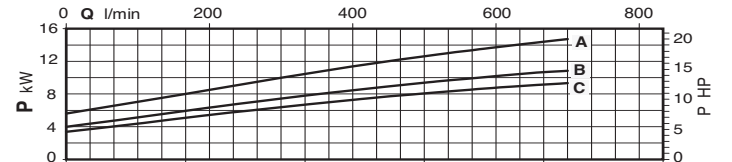
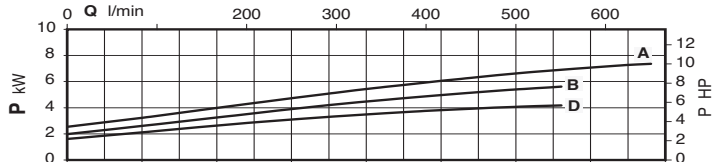
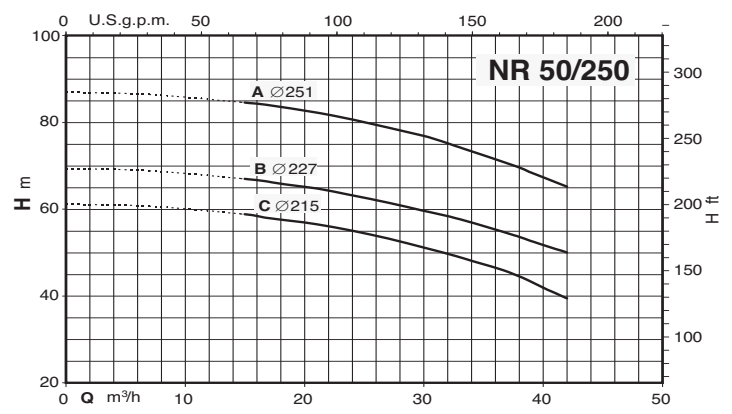
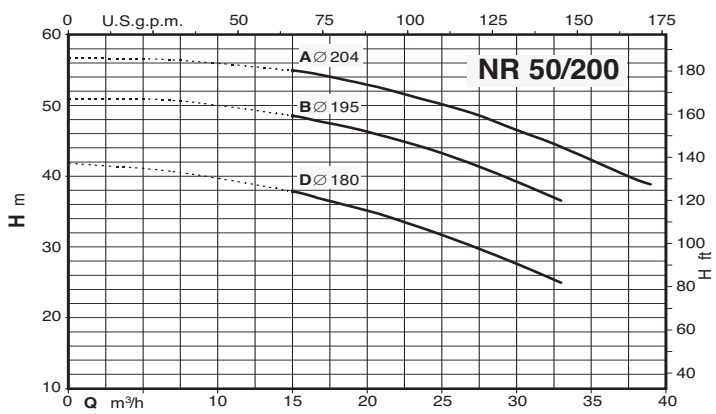
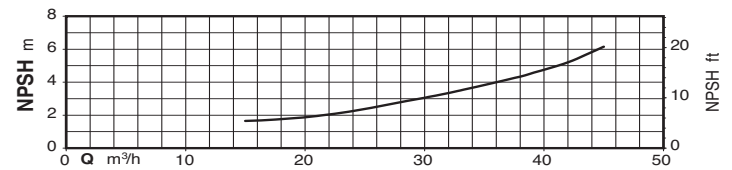
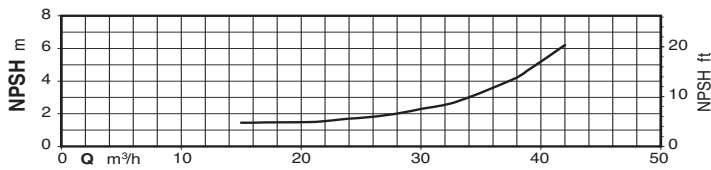
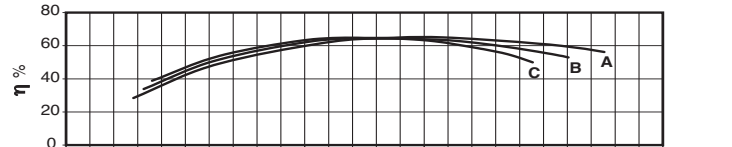
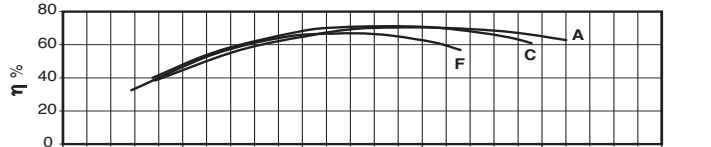
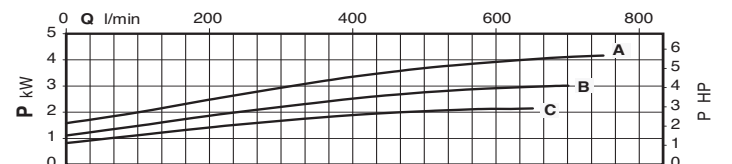
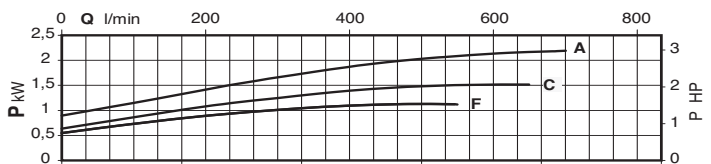
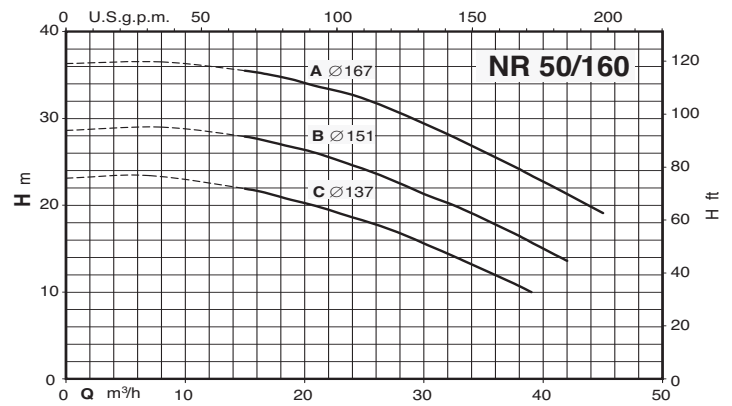
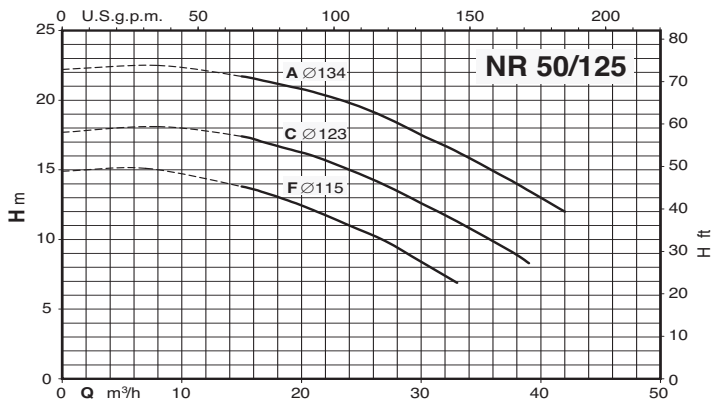
### Characteristic curves $n \approx 2900$ rpm



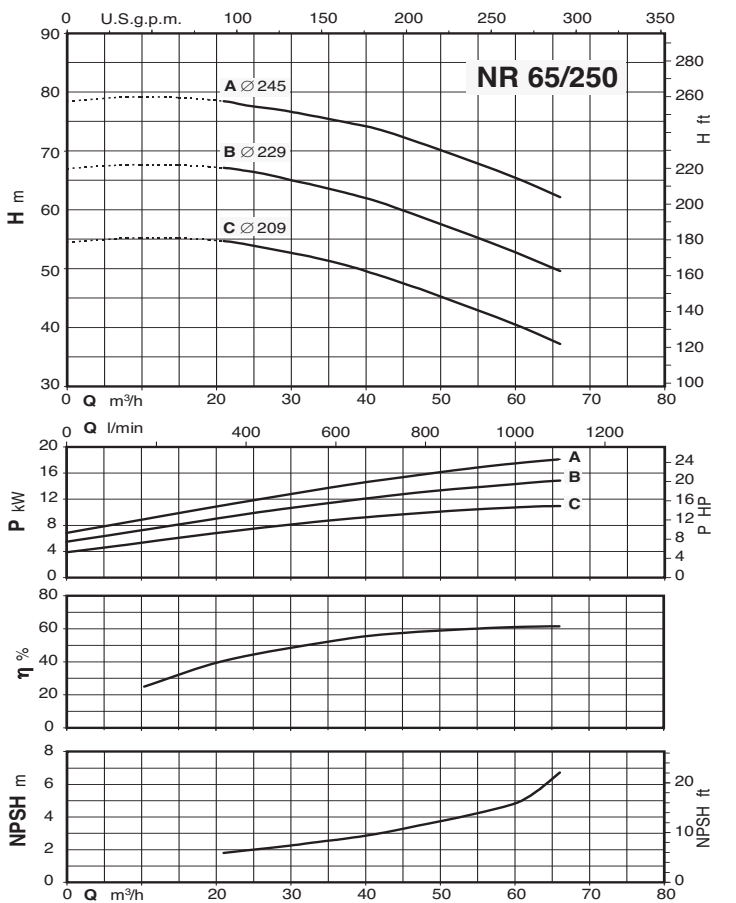
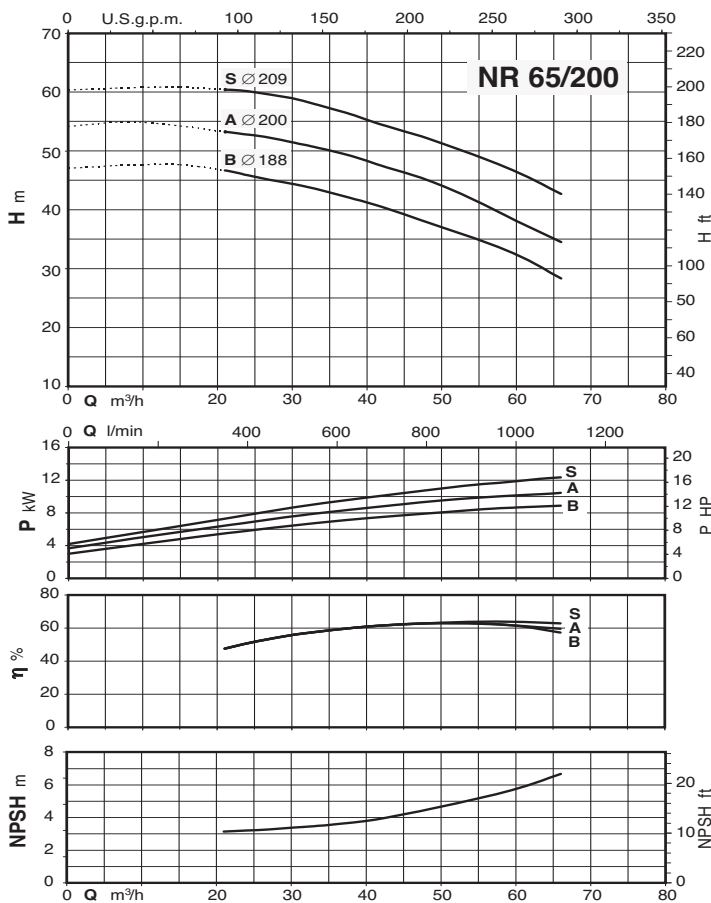
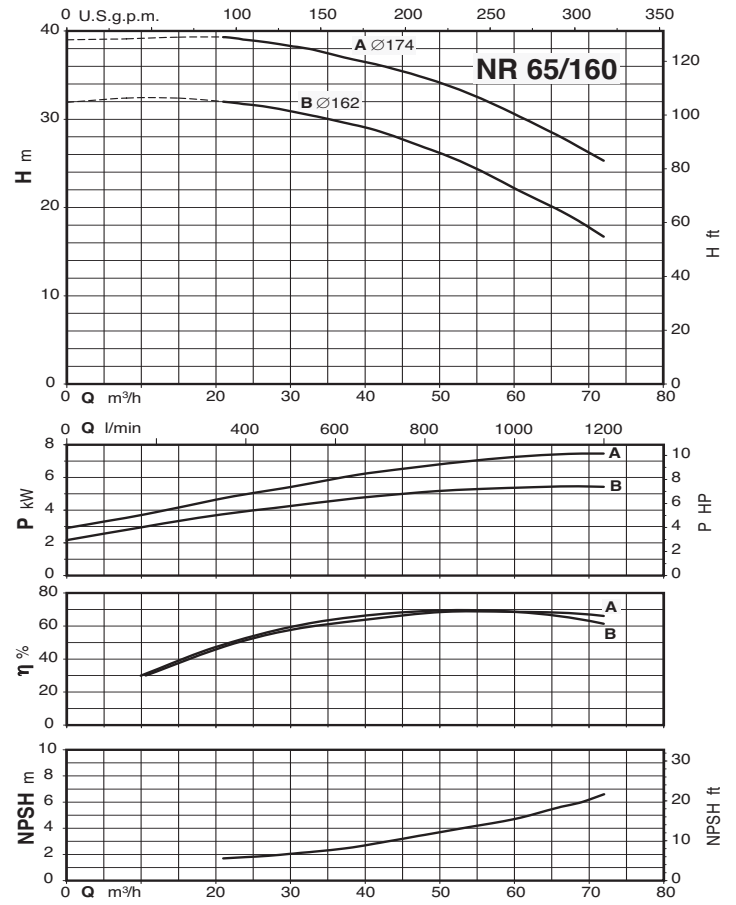
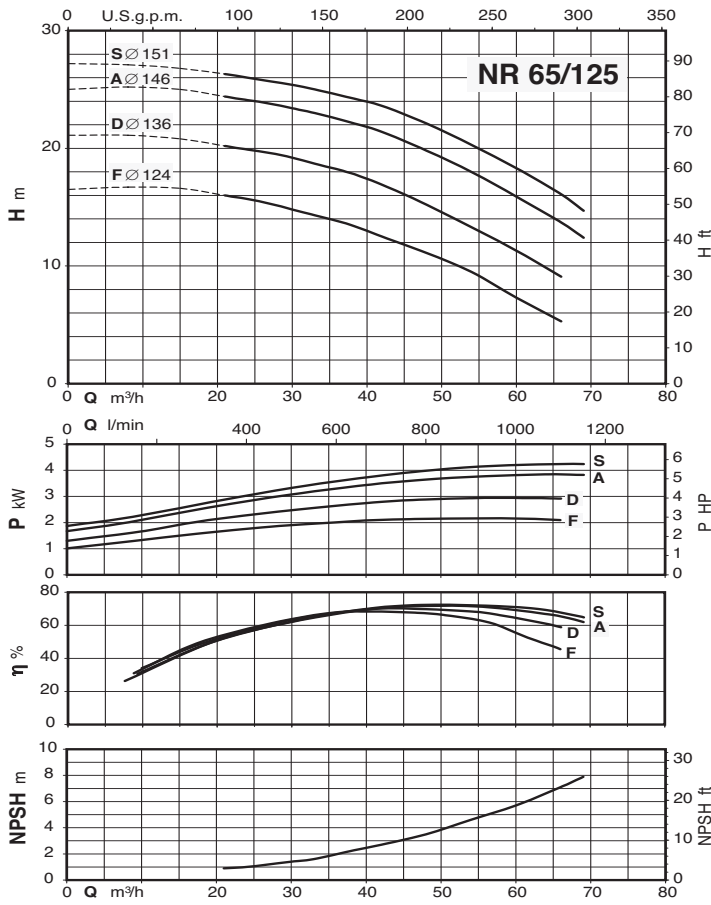
### Characteristic curves $n \approx 2900$ rpm



### Characteristic curves $n \approx 2900$ rpm

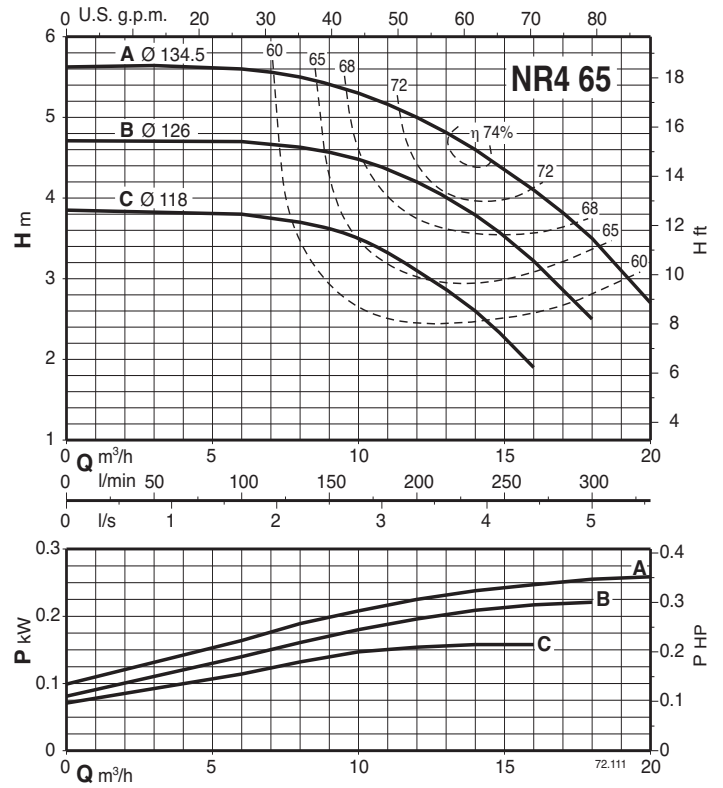
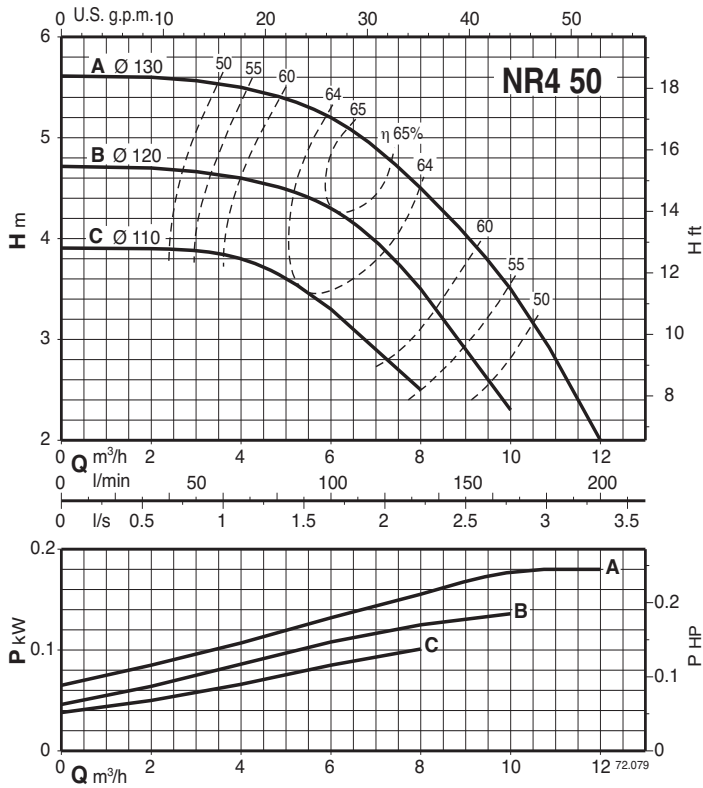


### Characteristic curves $n \approx 2900$ rpm

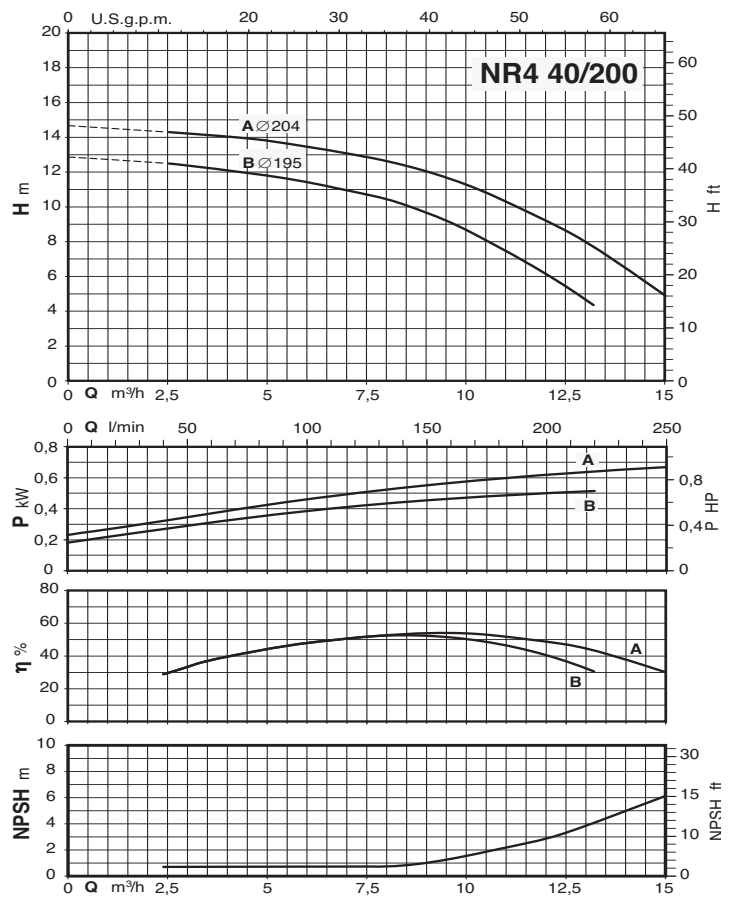
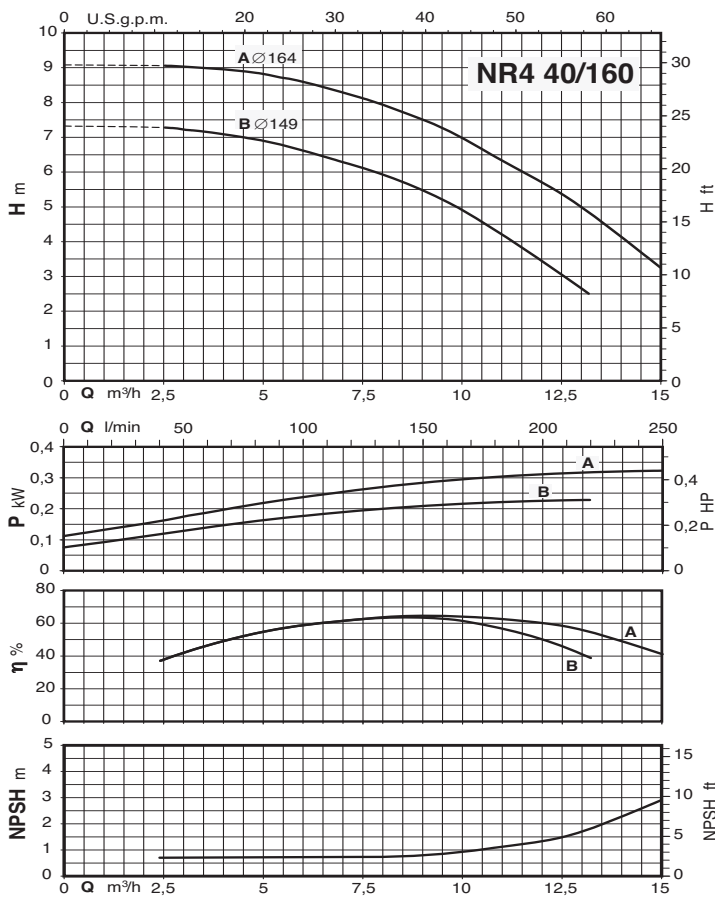
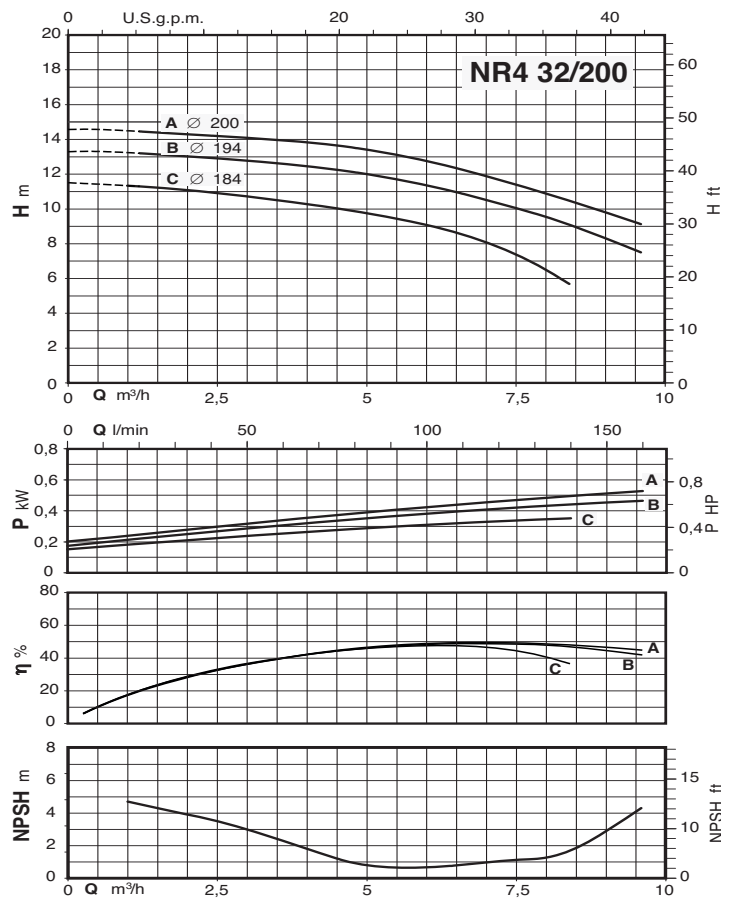
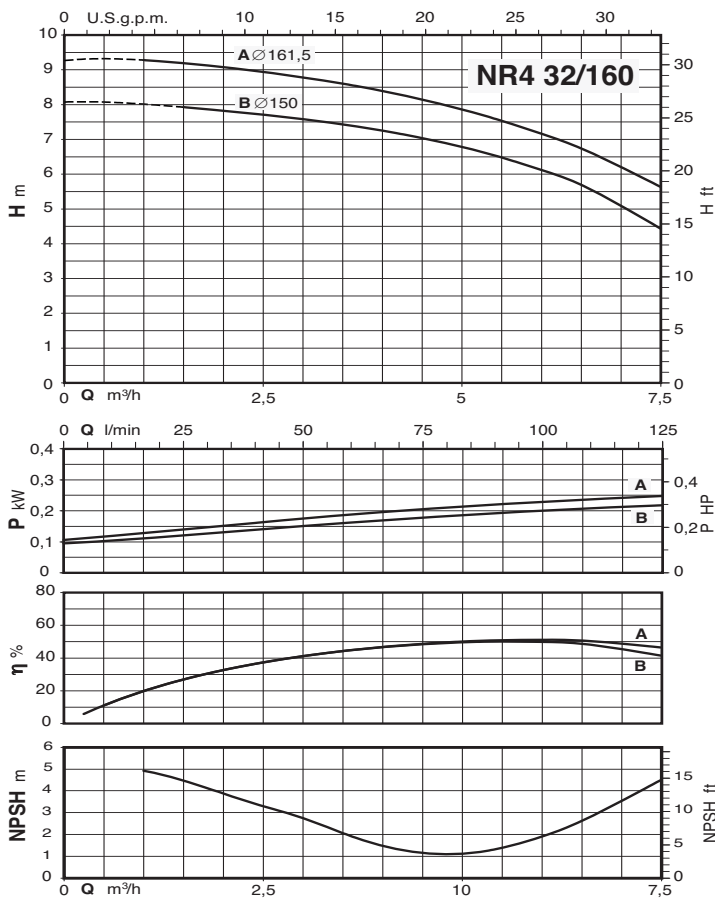




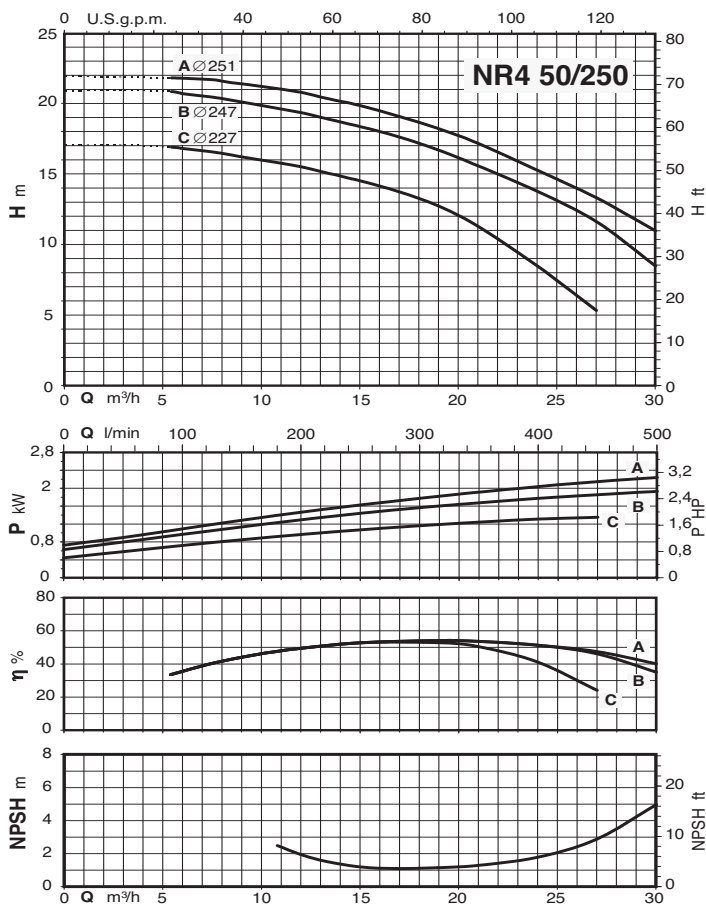
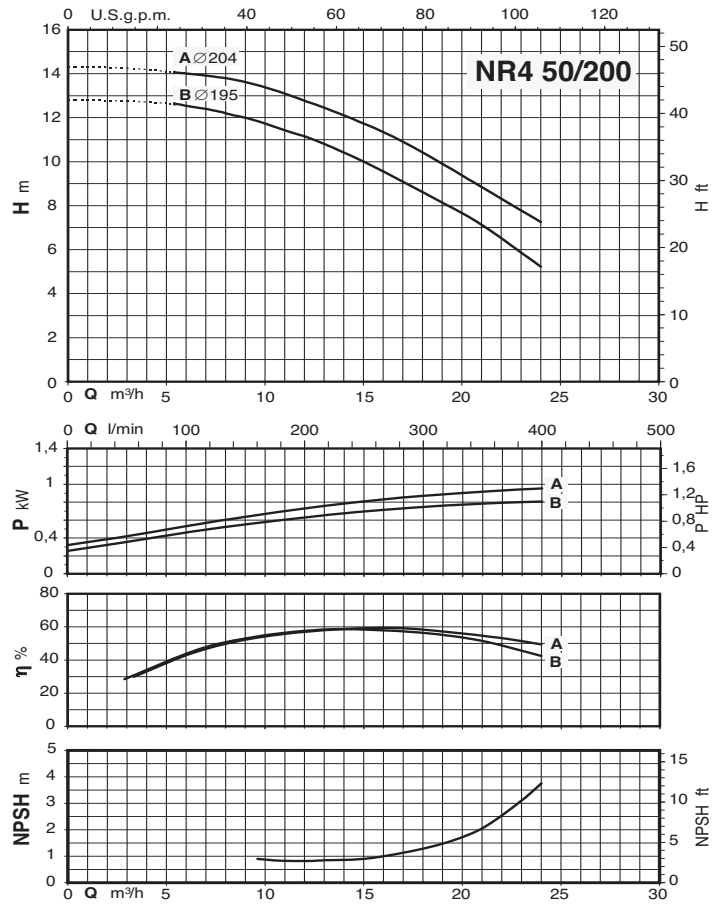
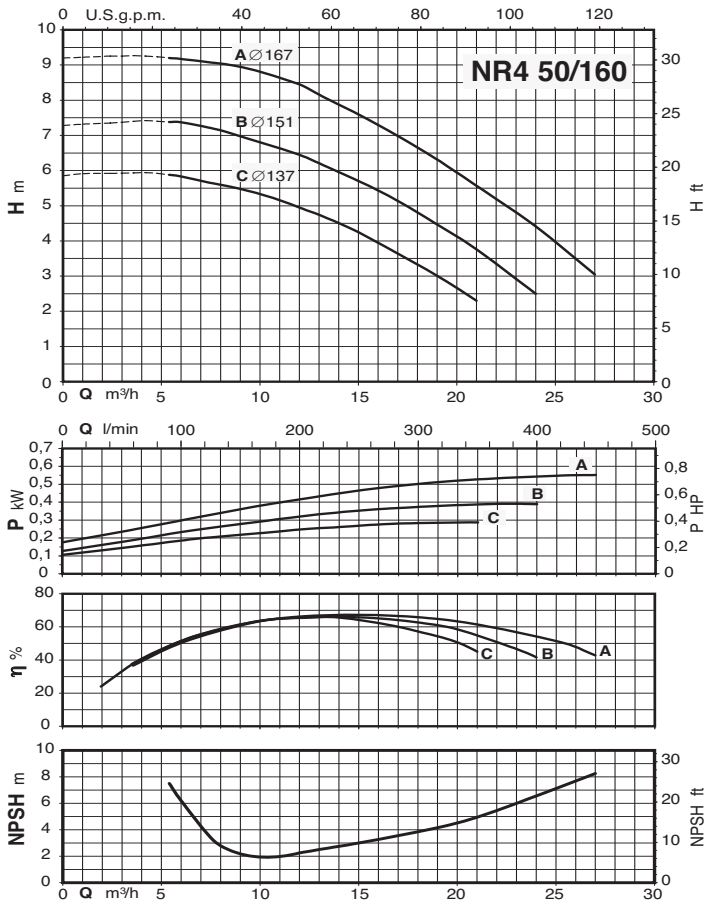
### Characteristic curves $n \approx 1450$ rpm



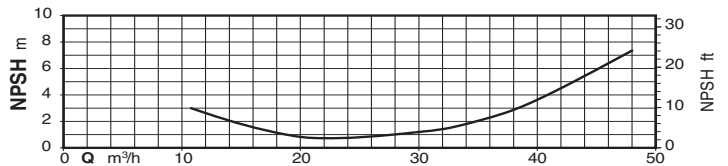
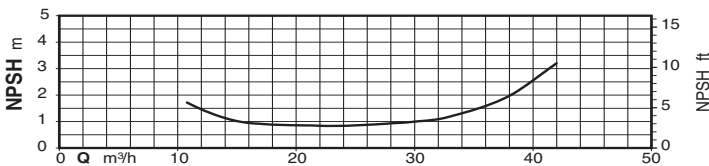
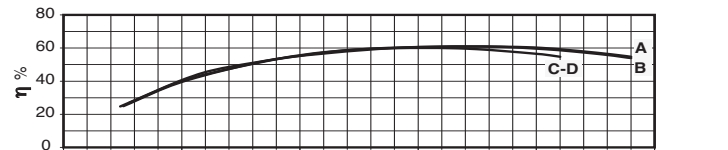
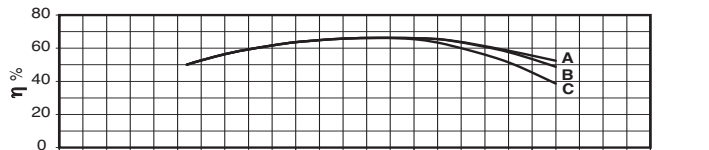
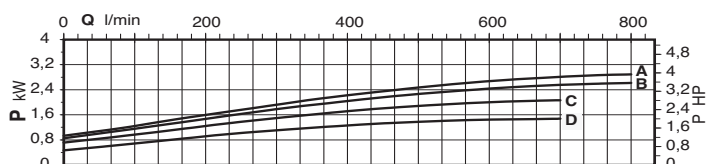
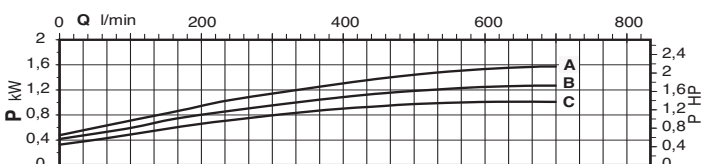
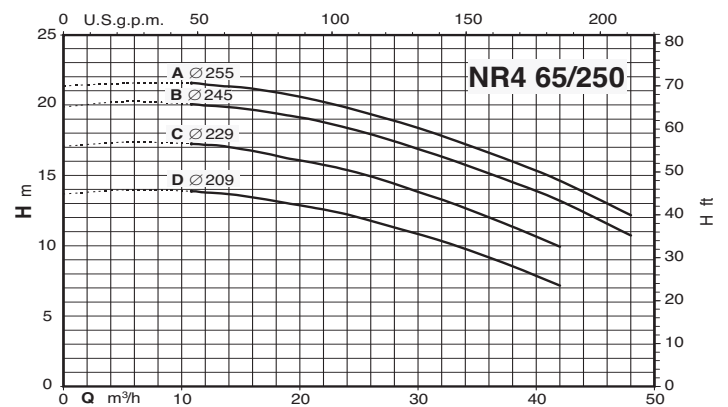
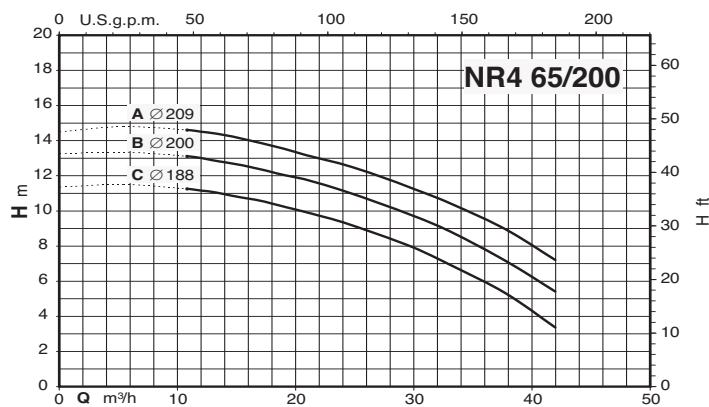
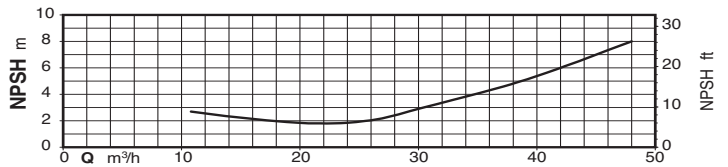
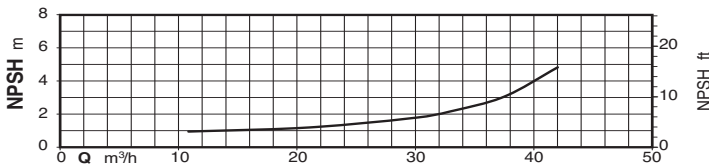
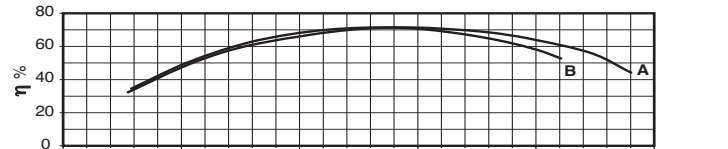
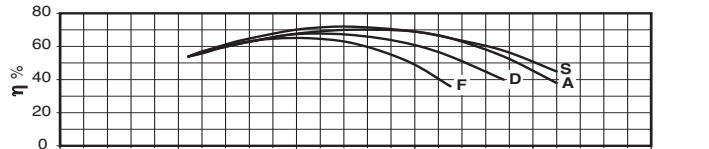
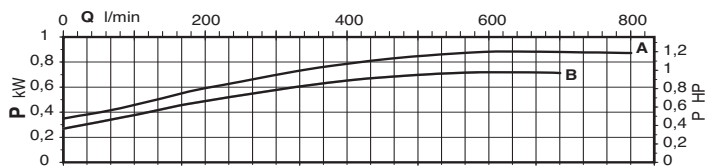
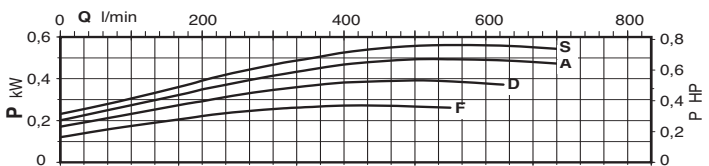
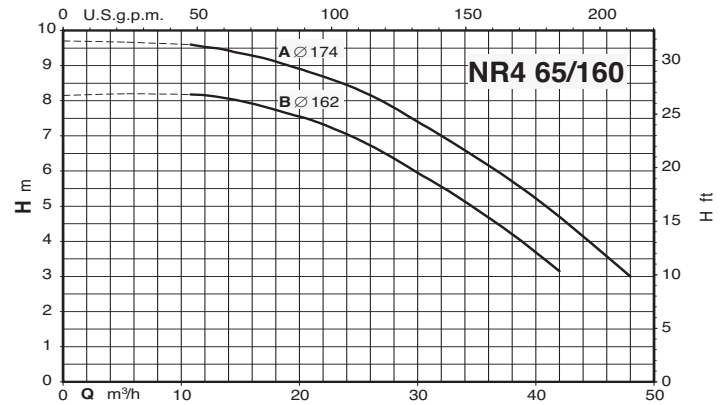
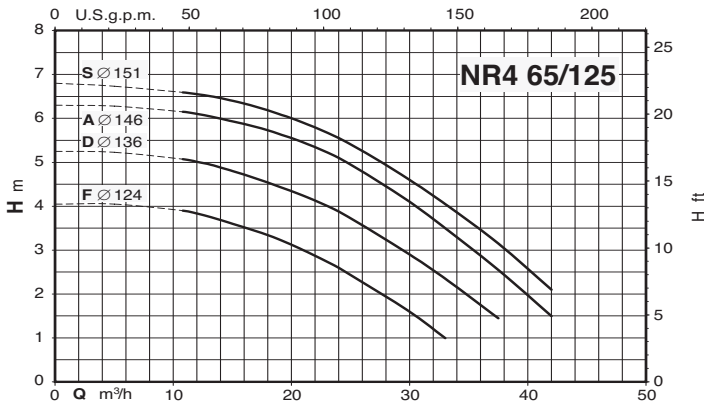
### Characteristic curves $n \approx 1450$ rpm



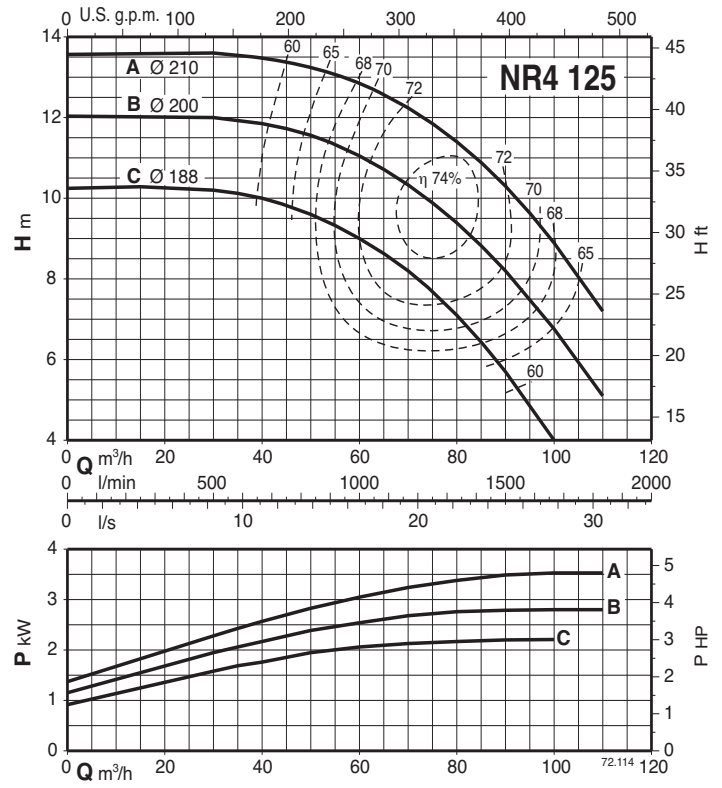
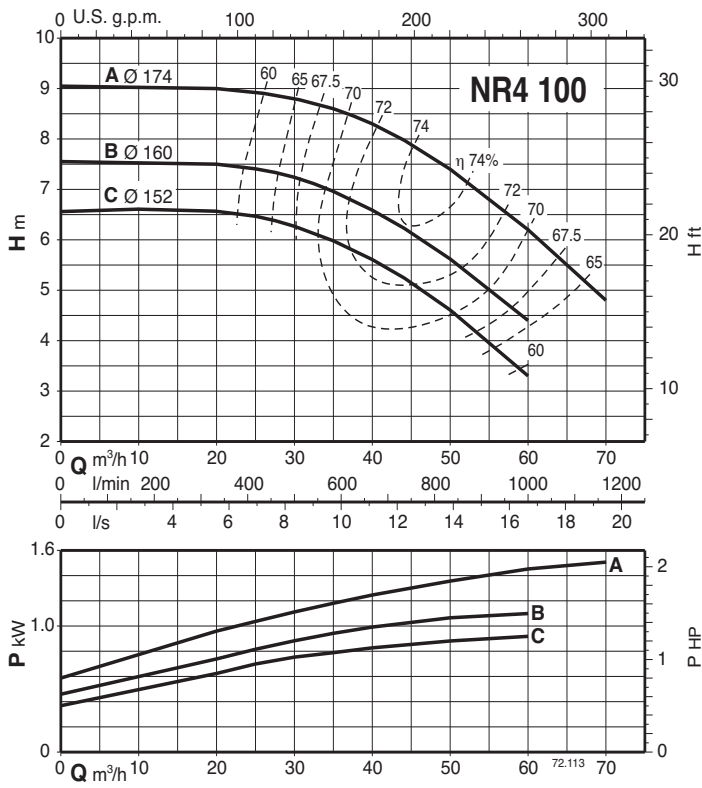
### Characteristic curves $n \approx 1450$ rpm



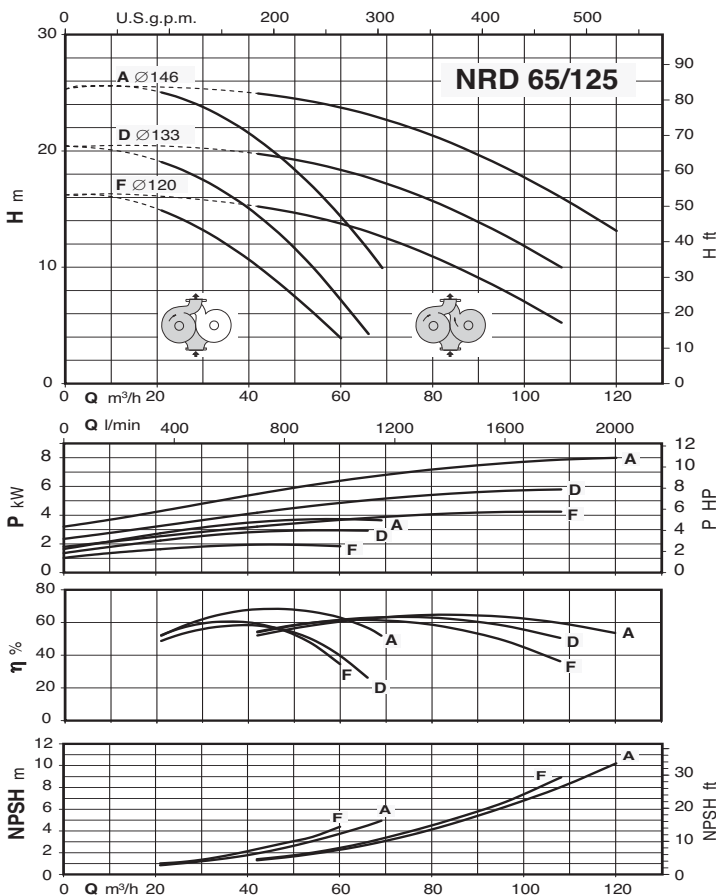
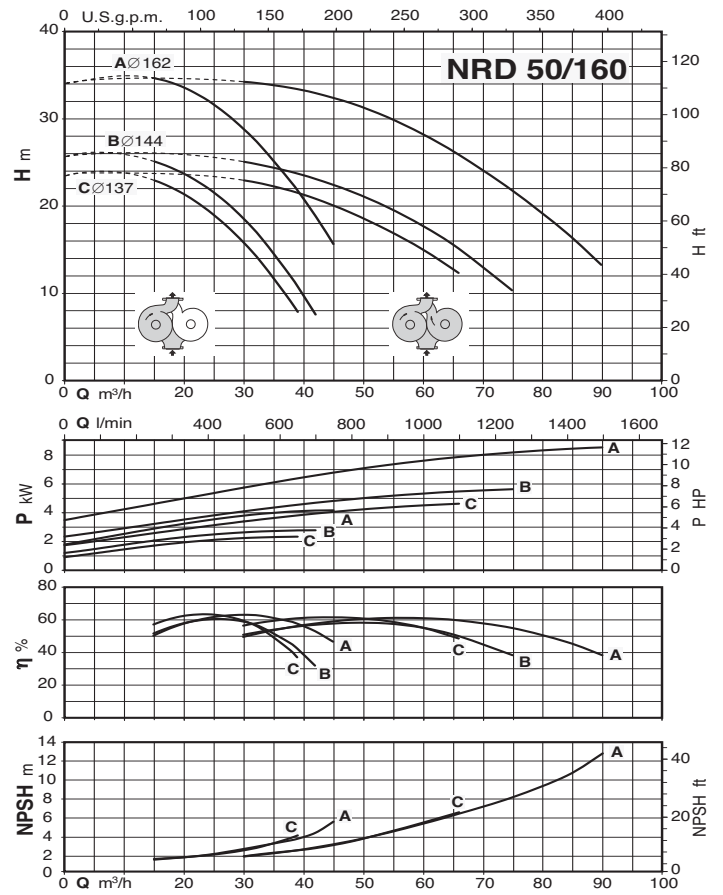
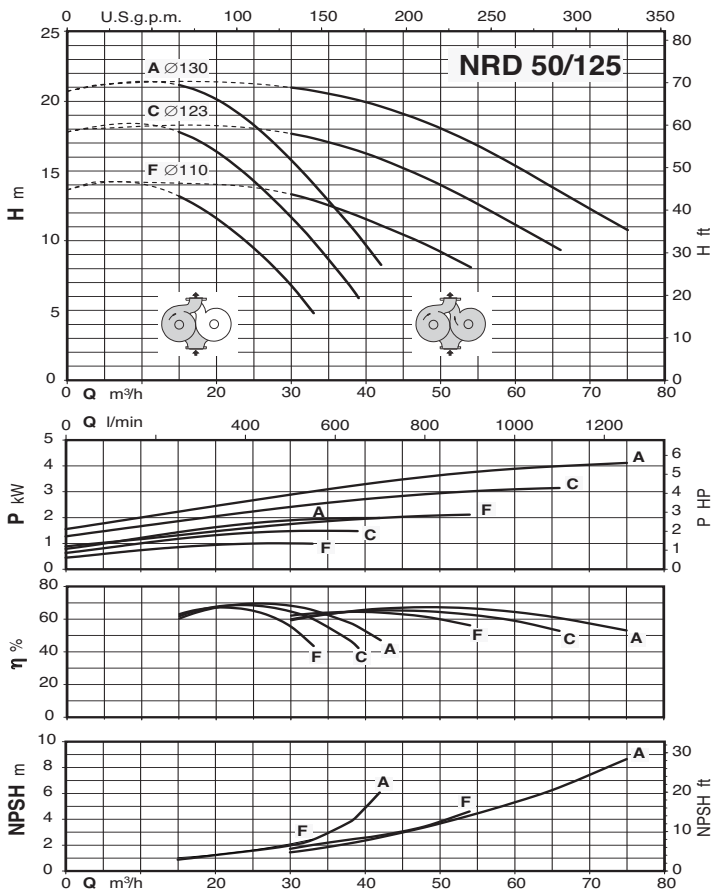
### Characteristic curves $n \approx 1450$ rpm



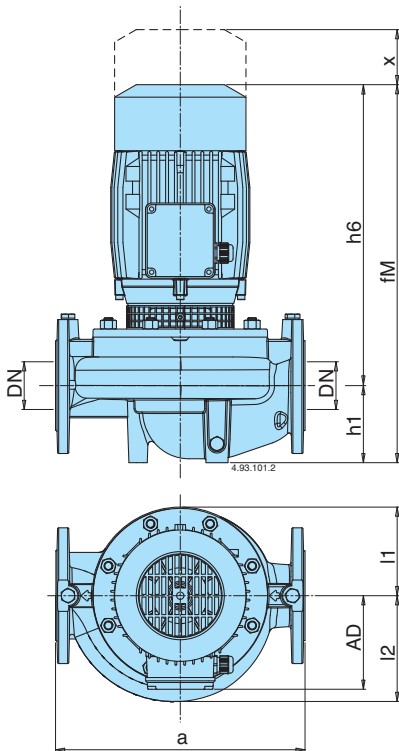
### Characteristic curves $n \approx 1450$ rpm



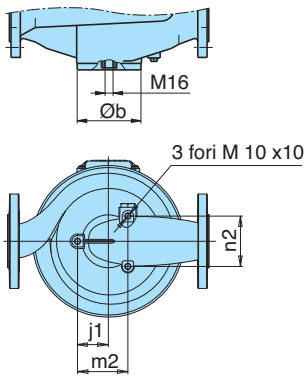
### Curve caratteristiche $n \approx 2900$ 1/min



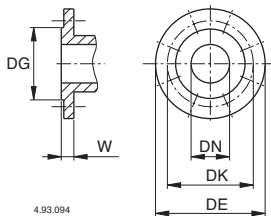
### Dimensions and weights



TYPE	mm													kg
	DN	a	fM	h1	h6	n2	m2	j1	Øb	AD	l1	l2	x	
NR 50D/A-C/B	50	320	360	90	270	-	-	-	98	111	93	100	70	21,7-23,8
NR 32/160A/A-B/A	32	340	421	80	341	76	90	50	-	128	102	102	60	28,6-27
NR 32/200B	32	440	469	85	384	84	104	60	-	128	126	126	60	36,3
NR 32/200A/A-S/A	32	440	495	85	410	84	104	60	-	138	126	126	60	44-47
NR 40/125A/A-B/A-C	40	320	420	81	339	80	80	49	-	128	93	98	70	29,5-27,5-26,5
NR 40/160B/A	40	320	430	81	349	80	80	49	-	128	119	119	75	35,0
NR 40/160A/A	40	320	470	81	389	80	80	49	-	128	119	119	75	40,0
NR 40/200A/A-B	40	440	496	81	430	95	102	62	-	138	140	140	75	56,6-53,4
NR 50/125C/A-F/A	50	340	437	90	347	79	85	45	-	128	96	115	75	31,5-29,5
NR 50/125A/B	50	340	477	90	387	79	85	45	-	128	96	115	75	36,1
NR 50/160C/B	50	340	480	90	390	79	85	45	-	128	120	128	75	41,6
NR 50/160A/B-B/A	50	340	506	90	416	79	85	45	-	138	120	128	75	51,8-48,5
NR 50/200D/B	50	440	516	100	416	79	85	45	-	138	140	140	80	59,7
NR 50/200A/A-B/A	50	440	544	100	444	79	85	45	-	160	140	140	80	77,2-69,7
NR 50/250C/B	50	440	657	100	557	79	85	45	-	185	175	175	85	114
NR 50/250B/B	50	440	707	100	557	79	85	45	-	185	175	175	85	121
NR 50/250A/B	50	440	732	100	632	79	85	45	-	185	175	175	85	149,5
NR 65/125F/B	65	340	494	105	389	110	110	60	-	128	121	145	95	46
NR 65/125S/B-A/B-D/A	65	340	520	105	415	110	110	60	-	138	121	145	95	56,1-56,1-54,6
NR 65/160A/A-B/A	65	340	552	105	447	110	110	60	-	160	121	142	95	74-67,5
NR 65/200B/B	65	475	666	105	561	110	110	60	-	185	140	153	90	108
NR 65/200A/B	65	475	716	105	611	110	110	60	-	185	140	153	90	114
NR 65/200S/B	65	475	741	105	636	110	110	60	-	185	140	153	90	142,5
NR 65/250C/B	65	475	722	105	567	110	110	60	-	185	175	175	90	134
NR 65/250B/B	65	475	747	105	642	110	110	60	-	185	175	175	90	155
NR 65/250A/C	65	475	793	105	688	110	110	60	-	206	175	175	90	-

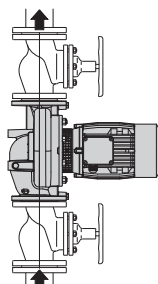


Flanges PN 10, EN 1092-2

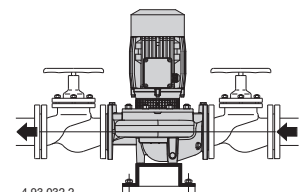
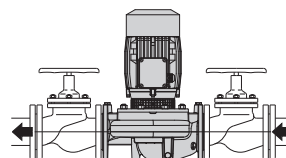


DN	mm					
	DG	DK	DE	Holes N°	Ø	W
32	76	100	140	4	19	18
40	84	110	150	4	19	18
50	99	125	165	4	19	20
65	118	145	185	4	19	20
80	132	160	200	8	19	22
100	156	180	220	8	19	24
125	184	210	250	8	19	24

TYPE	mm													kg
	DN	a	fM	h1	h6	n2	m2	j1	Øb	AD	l1	l2	x	
NR4 50A/A-B/A-C/A	50	320	360	90	270	-	-	-	98	111	93	100	70	22-22-22
NR4 65A/A-B/A-C/A	65	360	370	100	270	-	-	-	118	111	102	114	70	28-28-28
NR4 100A/B-B-C/B	100	500	549	150	399	-	-	-	162	138	153	173	105	67-59-59
NR4 125C/B	125	600	589	170	419	-	-	-	194	138	172	195	120	91,5
NR4 125A/A-B/A	125	600	608	160	438	-	-	-	194	160	172	195	120	110-108
NR4 32/160A-B	32	340	421	80	341	76	90	50	-	128	102	102	60	23-22,9
NR4 32/200B-C	32	440	429	85	344	84	104	60	-	128	126	126	60	30,8-29,2
NR4 32/200A/C	32	440	469	85	344	84	104	60	-	128	126	126	60	
NR4 40/160A-B	40	320	430	81	349	80	80	49	-	128	119	119	75	31,5 - 31
NR4 40/200B	40	440	430	81	349	95	102	62	-	128	140	140	75	39,5
NR4 40/200A/A	40	440	470	81	349	95	102	62	-	128	140	140	75	43
NR4 50/160B-C	50	340	440	90	350	79	85	45	-	128	120	128	75	35,5-33,5
NR4 50/160A/B	50	340	480	90	350	79	85	45	-	128	120	128	75	37,5
NR4 50/200A/B-B/B	50	440	516	100	416	79	85	45	-	138	140	140	80	56
NR4 50/250C/B	50	440	516	100	416	79	85	45	-	138	175	175	85	77,5
NR4 50/250A/A-B/B	50	440	545	100	445	79	85	45	-	160	175	175	85	93,5-80
NR4 65/125D-F	65	340	454	105	349	110	110	60	-	128	121	145	95	39-37
NR4 65/125S/B-A/B	65	340	494	105	349	110	110	60	-	128	121	145	95	42-41,5
NR4 65/160A/B-B/B	65	340	504	105	399	110	110	60	-	138	121	142	95	42,7-42,5
NR4 65/200C/B	65	475	536	105	431	110	110	60	-	138	140	153	90	52
NR4 65/200B/B	65	475	536	105	431	110	110	60	-	138	140	153	90	60
NR4 65/200A/B	65	475	552	105	447	110	110	60	-	160	140	153	90	64,5
NR4 65/250C/B-D/B	65	475	555	105	450	110	110	60	-	160	175	175	90	75,5-75,5
NR4 65/250A/A-B/A	65	475	555	105	450	110	110	60	-	160	175	175	90	98-85

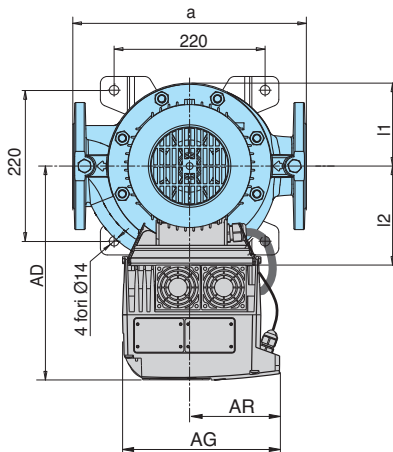
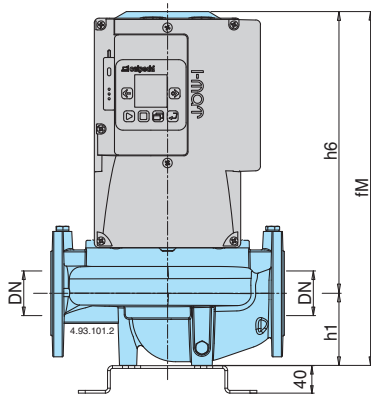


### Installation

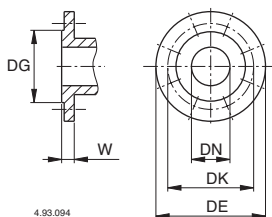


4.93.032.2

### Dimensions and weights



Flanges PN 10, EN 1092-2



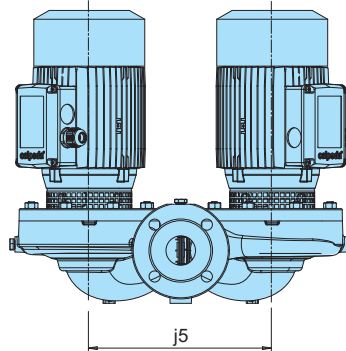
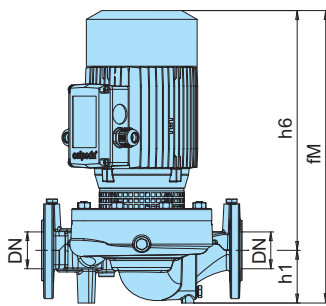
DN	mm				
	DG	DK	DE	Holes N°	W
32	76	100	140	4	19
40	84	110	150	4	19
50	99	125	165	4	19
65	118	145	185	4	19
80	132	160	200	8	19
100	156	180	220	8	19
125	184	210	250	8	19

TYPE	mm											kg
	DN	a	fM	h1	h6	AD	AG	AR	l1	l2	x	
NR EI 50D/A-C/B	50	320	399	90	270	270	190	105	93	100	70	28-30,2
NR EI 32/160A/A-B/A	32	340	421	80	341	286	190	105	102	102	60	35-33,3
NR EI 32/200B	32	440	469	85	384	286	210	118	126	126	60	43,8
NR EI 32/200A/A-S/A	32	440	495	85	410	294	210	118	126	126	60	51,5-54,5
NR EI 40/125A/A-B/A-C	40	320	420	81	339	286	190	105	93	98	70	35,9-33,9-32,9
NR EI 40/160B/A	40	320	430	81	349	286	190	105	119	119	75	41,4
NR EI 40/160A/A	40	320	470	81	389	286	210	118	119	119	75	47,5
NR EI 40/200A/A-B	40	440	496	81	430	294	210	118	140	140	75	64,1-61
NR EI 50/125C/A-F/A	50	340	437	90	347	286	190	105	96	115	75	37,9-35,9
NR EI 50/125A/B	50	340	477	90	387	286	210	118	96	115	75	43,6
NR EI 50/160C/B	50	340	480	90	390	286	210	118	120	128	75	49,1
NR EI 50/160A/B-B/A	50	340	506	90	416	294	210	118	120	128	75	59,3-56
NR EI 50/200D/B	50	440	516	100	416	294	210	118	140	140	80	67,2
NR EI 50/200A/A-B/A	50	440	544	100	444	368	281	153	140	140	80	92-84,5
NR EI 50/250C/B	50	440	657	100	557	393	281	153	175	175	85	128,8
NR EI 50/250B/B	50	440	707	100	557	393	281	153	175	175	85	135,8
NR EI 50/250A/B	50	440	732	100	632	471	350	190	175	175	85	184,5
NR EI 65/125F/B	65	340	494	105	389	286	210	118	121	145	95	53,5
NR EI 65/125S/B-A/B-D/A	65	340	520	105	415	294	210	118	121	145	95	63,6-63,6-62,1
NR EI 65/160A/A-B/A	65	340	552	105	447	368	281	153	121	142	95	88,8-82,3
NR EI 65/200B/B	65	475	666	105	561	368	281	153	140	153	90	122,8
NR EI 65/200A/B	65	475	716	105	611	393	281	153	140	153	90	128,8
NR EI 65/200S/B	65	475	741	105	636	471	350	190	140	153	90	177,5
NR EI 65/250C/B	65	475	722	105	567	393	281	153	175	175	90	148,8
NR EI 65/250B/B	65	475	747	105	642	471	350	190	175	175	90	190
NR EI 65/250A/C	65	475	793	105	688	491	350	190	175	175	90	-

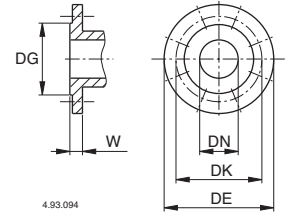
TYPE	mm											kg
	DN	a	fM	h6	h2	AD	AG	AR	l1	l2	x	
NR4 EI 50A/A-B/A-C/A	50	320	399	90	270	270	190	105	93	100	70	28,4-28,4-28,4
NR4 EI 65A/A-B/A-C/A	65	360	409	100	270	270	190	105	102	114	70	34,4-34,4-34,4
NR4 EI 100B/B-C/B	100	500	549	150	399	294	190	105	153	173	105	65,4-65,4
NR4 EI 100A/B	100	500	549	150	399	294	190	105	153	173	105	73,4
NR4 EI 125A/A-B/A-C/B	125	600	608	160	438	368	210	118	172	195	120	117,5-115,5-97,9
NR4 EI 32/160A-B	32	340	421	80	341	286	190	105	102	102	60	29,4-29,3
NR4 EI 32/200B-C	32	440	429	85	344	286	190	105	126	126	60	37,2-35,2
NR4 EI 32/200A/A	32	440	469	85	344	286	190	105	126	126	60	-
NR4 EI 40/160A-B	40	320	430	81	349	286	190	105	119	119	75	37,9-37,4
NR4 EI 40/200B	40	440	430	81	349	286	190	105	140	140	75	45,9
NR4 EI 40/200A/A	40	440	470	81	349	286	190	105	140	140	75	49,4
NR4 EI 50/160B-C	50	340	440	90	350	286	190	105	120	128	75	41,9-39,9
NR4 EI 50/160A/B	50	340	480	90	350	286	190	105	120	128	75	43,9
NR4 EI 50/200A/B-B/B	50	440	516	100	416	294	190	105	140	140	80	62,4
NR4 EI 50/250C/B	50	440	516	100	416	294	190	105	175	175	85	83,9
NR4 EI 50/250A/A-B/B	50	440	545	100	445	368	210	118	175	175	85	101-86,4
NR4 EI 65/125D-F	65	340	454	105	349	286	190	105	121	145	95	45,4-43,4
NR4 EI 65/125S/B-A/B	65	340	494	105	349	286	190	105	121	145	95	48,4-48
NR4 EI 65/160A/B-B/B	65	340	504	105	399	294	190	105	121	142	95	49,1-48,9
NR4 EI 65/200C/B	65	475	536	105	431	294	190	105	140	153	90	58,4
NR4 EI 65/200B/B	65	475	536	105	431	294	190	105	140	153	90	66,4
NR4 EI 65/200A/B	65	475	552	105	447	368	210	118	175	175	90	70,9
NR4 EI 65/250C/B-D/B	65	475	555	105	450	365	210	118	175	175	90	81,9-81,9
NR4 EI 65/250A/A-B/A	65	475	555	105	450	368	210	118	175	175	90	105,5-92,5



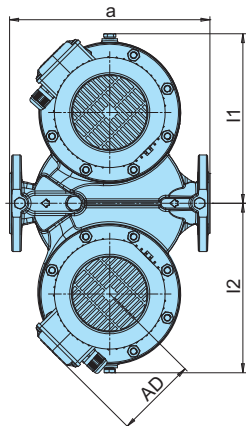
### Dimensions and weights



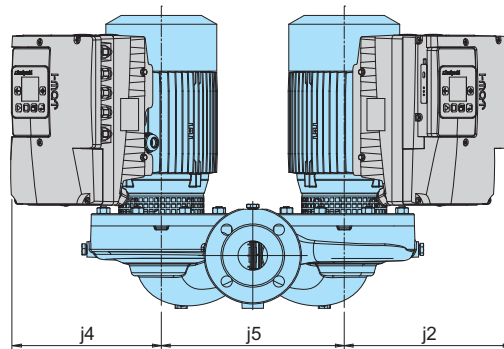
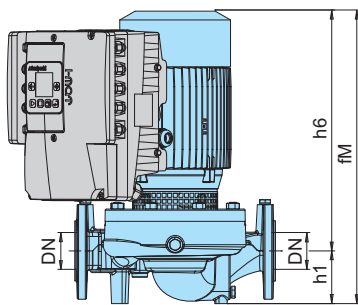
Flanges PN 10, EN 1092-2



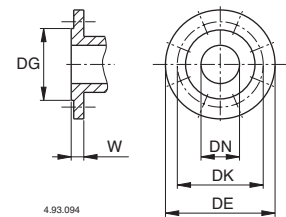
DN	mm					W
	DG	DK	DE	Holes N°	Ø	
50	99	125	165	4	19	20
65	118	145	185	4	19	20



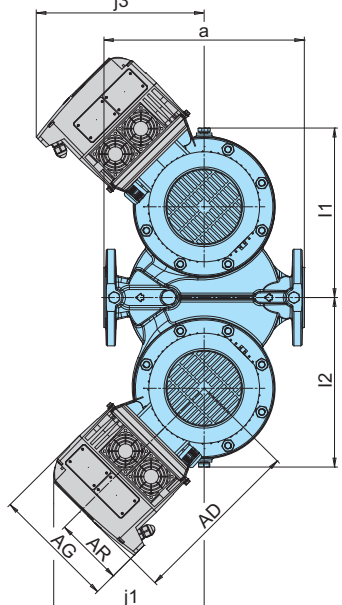
TYPE	mm									kg
	DN	a	fM	h1	h6	AD	j5	l1	l2	
NRD 50/125C-F	50	340	433,5	90	343,5	130	310	278,5	278,5	
NRD 50/125A	50	340	473,5	90	383,5	130	310	278,5	278,5	
NRD 50/160C	50	340	473,5	90	383,5	130	310	291,5	291,5	
NRD 50/160A-B	50	340	499,5	90	409,5	139	310	291,5	291,5	
NRD 65/125F	65	340	488,5	105	383,5	130	310	303,5	303,5	87,7
NRD 65/125A-D	65	340	514,5	105	409,5	139	310	303,5	303,5	106,3-99,3



Flanges PN 10, EN 1092-2



DN	mm					W
	DG	DK	DE	Holes N°	Ø	
50	99	125	165	4	19	20
65	118	145	185	4	19	20



TYPE	mm														kg	
	DN	a	fM	h1	h6	AD	AG	AR	j1	j2	j3	j4	j5	l1		l2
NRD EI 50/125C-F	50	340	433,5	90	343,5	284	190	105	243	269	269	243	310	278,5	278,5	
NRD EI 50/125A	50	340	473,5	90	383,5	284	210	118	249	277	277	249	310	278,5	278,5	
NRD EI 50/160C	50	340	473,5	90	383,5	284	210	118	249	277	277	249	310	291,5	291,5	
NRD EI 50/160A-B	50	340	499,5	90	409,5	293	210	118	256	283	283	256	310	291,5	291,5	
NRD EI 65/125F	65	340	488,5	105	383,5	284	210	118	249	277	277	249	310	303,5	303,5	102,7
NRD EI 65/125A-D	65	340	514,5	105	409,5	293	210	118	256	283	283	256	310	303,5	303,5	121,3-114,3

### Features

#### New Compact Design

A compact structure allows for simple installation even in confined spaces

#### A Unique Design

An innovative guard (patented) prevents contact with rotating parts, providing protection to the end user whilst allowing for inspection of the mechanical seal.

#### Advanced hydraulics

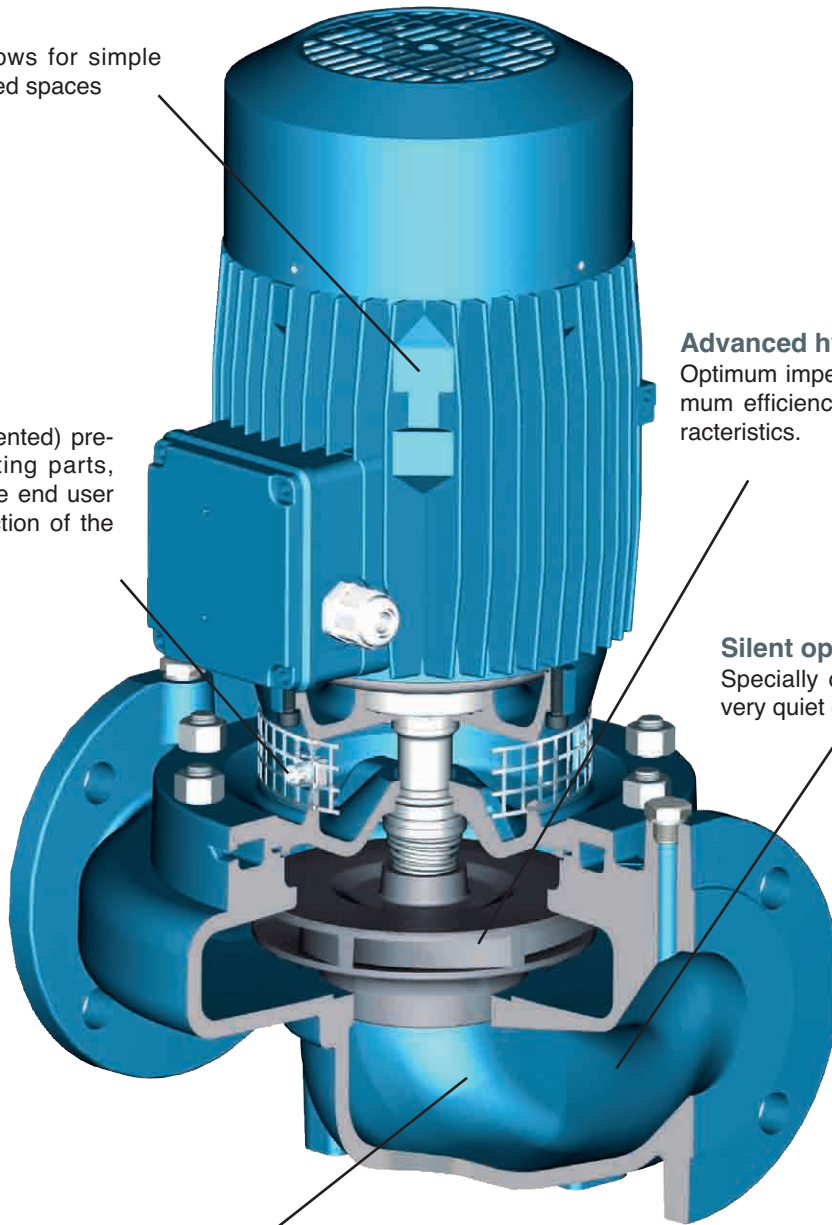
Optimum impeller geometry provides maximum efficiency and excellent suction characteristics.

#### Silent operation

Specially designed fluid ducts provide very quiet operation

#### Exceptional Fluid Dynamics

The fluid dynamics through the impeller and casing are designed to minimize losses and increase performance.



# MXH 2,4,8,16

Horizontal Multi-Stage Close Coupled Pumps in stainless steel



### Construction

Horizontal multi-stage close coupled pumps in **chrome-nickel stainless steel**.

Compact and robust construction, without protruding flange and with single-piece lantern bracket and base.

Single-piece barrel casing, with front suction port above pumps axis and radial delivery at top.

Filling and draining plugs on the middle of the pump, accessible from any side (like the terminal box).

**Version with frequency converter** (on request)

### Applications

For water supply.

For clean liquids, without abrasives, which are non-aggressive for stainless steel (with suitable seal materials, on request).

Universal pump, for domestic use, for civil and industrial applications, for garden use and irrigation.

### Operating conditions

Liquid temperature from - 15 °C to + 110 °C.

Ambient temperature up to 40 °C.

Maximum permissible pressure in the pump casing: 8 bar.

Continuous duty.

### Motor

2-pole induction motor, 50 Hz (n ≈ 2800 rpm).

**MXH:** three-phase 230/400 V ± 10% up to 3 kW;

400/690 V ± 10% from 3,7 to 4 kW.

**MXHM:** single-phase 230 V ± 10%, with thermal protector.

Capacitor inside the terminal box.

Insulation class F. Protection IP 54.

Motor suitable for operation with frequency converter from 1,1 kW.

**Classification scheme IE3 for three-phase motors from 0,75 kW.**

Constructed in accordance with: EN 60034-1; EN 60034-30-1.

EN 60335-1, EN 60335-2-41.

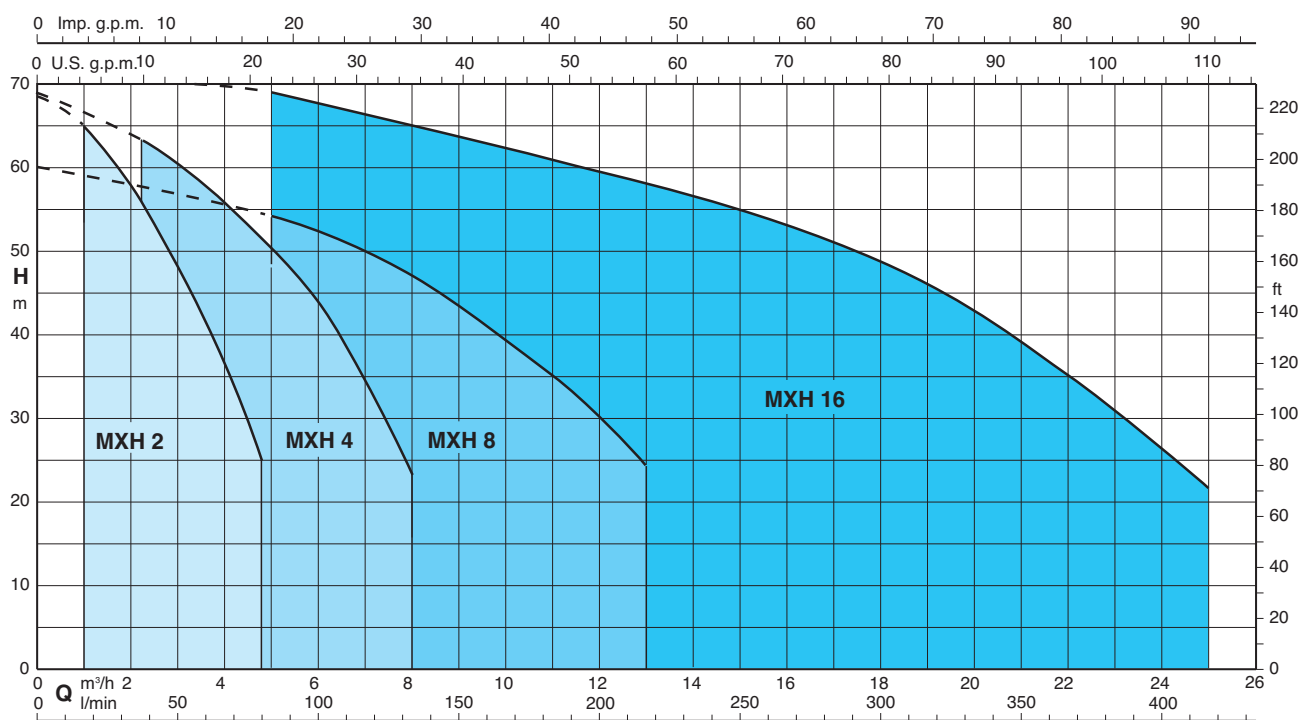
### Special features on request

- Other voltages. - Frequency 60 Hz (as per 60 Hz data sheet).
- Protection IP 55.
- Special mechanical seal
- Pump casing seal rings in FPM.
- Higher or lower liquid or ambient temperatures.
- Motor suitable for operation with frequency converter up to 0,75 kW.

### Materials

Component	Material
Pump casing	Chrome-nickel steel 1.4301 EN 10088 (AISI 304)
Stage casing	Chrome-nickel steel 1.4301 EN 10088 (AISI 304)
Wear ring	PTFE
Impeller	Chrome-nickel steel 1.4301 EN 10088 (AISI 304)
Casing cover	Chrome-nickel steel 1.4301 EN 10088 (AISI 304)
Spacer sleeve	Chrome-nickel steel 1.4301 EN 10088 (AISI 304)
Pump shaft	Chrome-nickel steel 1.4305 EN 10088 (AISI 303)
Plug	Chrome-nickel steel 1.4305 EN 10088 (AISI 303)
Mechanical seal with seat according to ISO 3069	Ceramic alumina, carbon, EPDM (Other materials on request)

### Coverage chart n ≈ 2800 rpm



### Pumps with frequency converter

The **MXH EI** pumps are available with power from 0,55 kW up to 4 kW, the pumps are equipped with **I-MAT** installed on board which allows to realize a variable-speed system extremely compact and efficient, ideal in applications of water supply and in the distribution of hot and cold water.

The pump is equipped with transducers suitable for operation and is already programmed at the factory.

#### Advantages

- Energy saving
- Compact design
- Easy to use
- Programmable to suit the system requirements
- Reliability

#### Costruction

The system comprises of:

- Pump
- Induction motor
- I-MAT Frequency converter
- Motor adapter for the motor mounting of the frequency converter
- Connection cable between frequency converter and induction motor
- Transducers

#### Main features

Rated motor power output from 0,55 kW to 4 kW

Control range from 1750 to 2900 rpm (2-pole)

Protection against dry running

Protection against operations with closed valve ports

Protection against system leakages

Protection against overcurrent in the motor

Protection against overvoltage and undervoltage of the power supply

Protection against current unbalances between phases

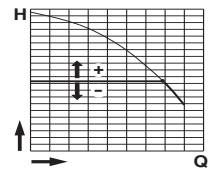


### Operating modes



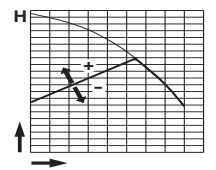
#### Constant pressure mode with pressure transducer

In this mode, the system maintains the preset pressure when the flow required by the installation changes.



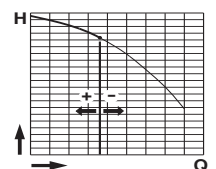
#### Proportional pressure mode with pressure transducer

In this mode the system changes the working pressure according to the required flow rate.



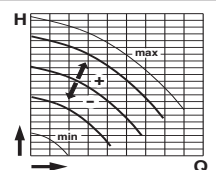
#### Constant flow mode with flow meter

In this mode the system maintains a constant flow rate value in a point of the installation according to the required pressure.



#### Fixed speed mode with setting of the speed preferential rotation.

In this mode, by changing the working frequency, you may choose any operational curve included within the working range.



#### Constant temperature mode with temperature transducer

In this mode the system keeps the temperature constant inside a system by changing the speed of the pump.

### Performance n ≈ 2800 rpm

3 ~	230 V		400 V	1 ~	230 V		P <sub>1</sub>	P <sub>2</sub>		Q	H									
	A	A			A	kW		kW	HP		m <sup>3</sup> /h	l/min	0	1	1,5	2	2,5	3	3,5	4
<b>MXH 202E</b>	1,7	1		<b>MXHM 202E</b>	2,3	0,5	0,33	0,45	H m	22	20	18,5	17	15,3	13,4	11,4	9,3	8,2	5,6	
<b>MXH 203E</b>	2,4	1,4		<b>MXHM 203E</b>	3	0,65	0,45	0,6		33	31	29	27	24,5	21,7	18,6	15,5	13,8	9	
<b>MXH 204/A</b>	2,8	1,6		<b>MXHM 204/A</b>	4,2	0,9	0,55	0,75		45	42,5	40,4	37,5	34,5	30,8	26,7	22,4	20,1	14,8	
<b>MXH 205/B</b>	3,5	2		<b>MXHM 205/A</b>	5,4	1,2	0,75	1		57	53,5	50,5	47,5	43,5	39	34	28,5	25,8	19	
<b>MXH 206/C</b>	4,7	2,7		<b>MXHM 206</b>	7,4	1,5	1,1	1,5		68,5	65	61,5	58	53,5	48	43	36,5	33,5	25	

3 ~	230 V		400 V	1 ~	230 V		P <sub>1</sub>	P <sub>2</sub>		Q	H									
	A	A			A	kW		kW	HP		m <sup>3</sup> /h	l/min	0	2,25	3	3,5	4	4,5	5	6
<b>MXH 402E</b>	2,4	1,4		<b>MXHM 402E</b>	3	0,65	0,45	0,6	H m	22,5	20	19	18,5	17,5	16	15	12,5	9,5	6	
<b>MXH 403/A</b>	2,8	1,6		<b>MXHM 403/A</b>	4,2	0,9	0,55	0,75		33	30	29	27,5	26	24,5	23	19,5	15	9,5	
<b>MXH 404/B</b>	3,5	2		<b>MXHM 404/A</b>	5,4	1,2	0,75	1		44,5	40,5	38	36,5	35	33	31	26	20	12,5	
<b>MXH 405/C</b>	4,7	2,7		<b>MXHM 405</b>	7,4	1,5	1,1	1,5		56,5	52	50	47,5	45,5	43	40	33,5	26	16,5	
<b>MXH 406/A</b>	6,2	3,6		<b>MXHM 406</b>	9,2	2	1,5	2		68,5	63	60	58	56	53,5	51	44	35	23	

3 ~	230 V		400 V	1 ~	230 V		P <sub>1</sub>	P <sub>2</sub>		Q	H									
	A	A			A	kW		kW	HP		m <sup>3</sup> /h	l/min	0	5	6	7	8	9	10	11
<b>MXH 802/B</b>	3,5	2		<b>MXHM 802/A</b>	5,4	1,2	0,75	1	H m	22,5	20,5	20	19	18	16,5	15	13	11	8,5	
<b>MXH 803/A</b>	4,7	2,7		<b>MXHM 803</b>	7,4	1,5	1,1	1,5		36	32	30,5	29	27,5	25,5	23	20	17	14	
<b>MXH 804/A</b>	6,2	3,6		<b>MXHM 804</b>	9,2	2	1,5	2		48	42,5	41	39	37	34,5	32	28	24	19,5	
<b>MXH 805/B</b>	8,3	4,8		<b>MXHM 805</b>	11,2	2,5	1,8	2,5		60	54	52	49,5	47	43,5	39,5	35	29,5	24	

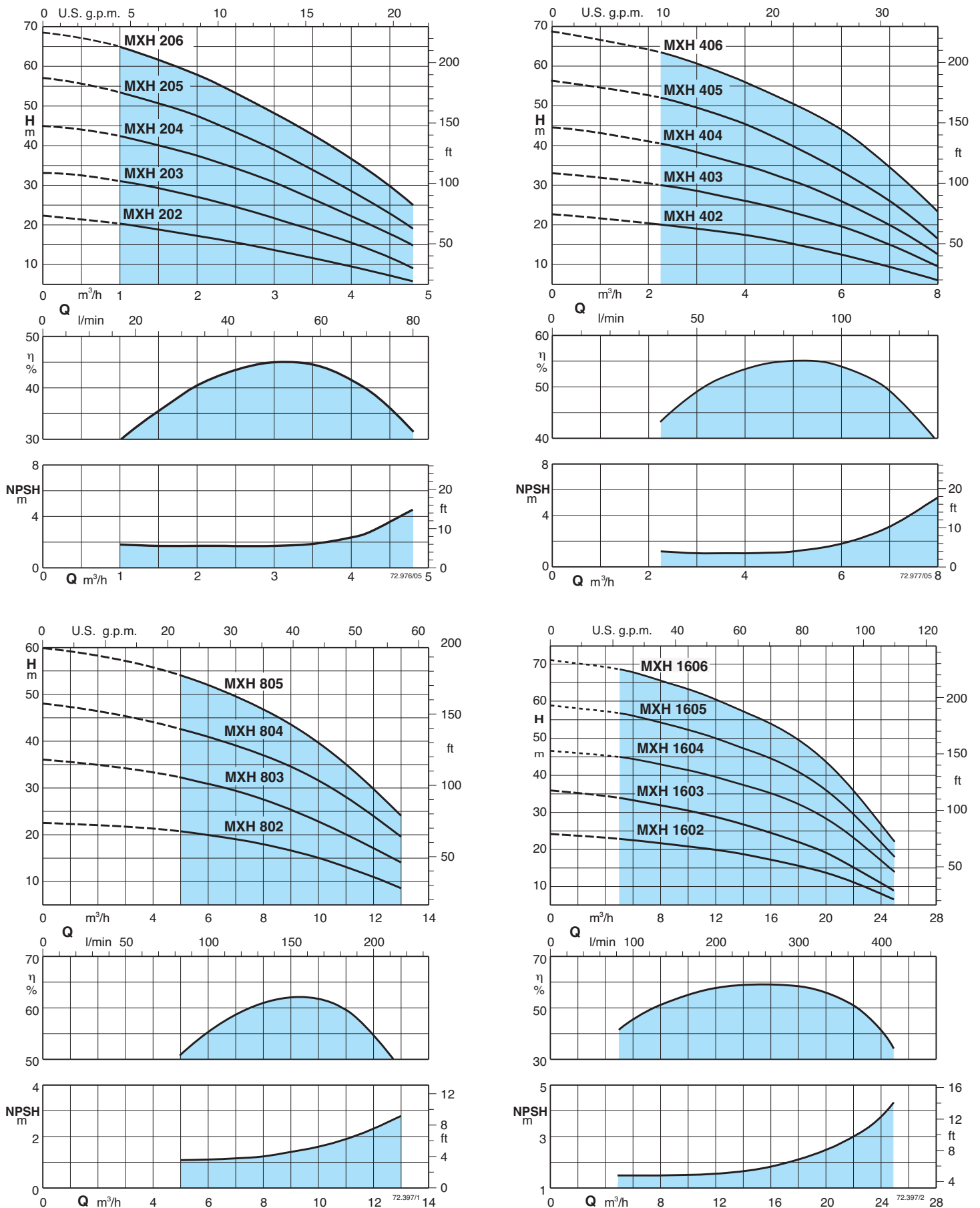
3 ~	230 V		400 V	P <sub>2</sub>	Q	H										
	A	A				kW	HP	m <sup>3</sup> /h	l/min	0	5	8	11	14	16	18
<b>MXH 1602/A</b>	6,2	3,6		1,5	2	H m	24	23	21,7	20,5	18,8	17,5	15,8	14	11,5	6,5
<b>MXH 1603/B</b>	8,3	4,8		1,8	2,5		36	34	31,8	29,5	26,8	24,8	22,4	19,2	15,3	8,8
<b>MXH 1604/A</b>	11,5	6,6		3	4		48	46,5	44,5	41,5	38	36	33	29	23	14
<b>MXH 1605/B</b>		9,6		3,7	5		60	57,5	55	51,5	48	45	42	37,5	31,5	19
<b>MXH 1606/B</b>		9,6		4	5,5		71	68	65	61	56	53	49	44	36	22

P<sub>1</sub> Max. power input.  
P<sub>2</sub> Rated motor power output.

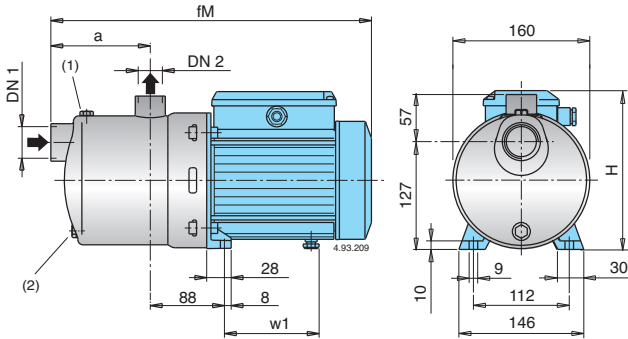
Test results with clean cold water, without gas content.  
Tolerances according to UNI EN ISO 9906:2012

+ 0,5 m security margin on NPSH-value is necessary.

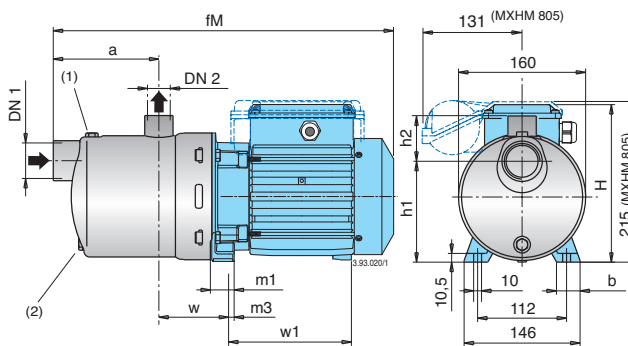
### Characteristic curves $n \approx 2800$ rpm



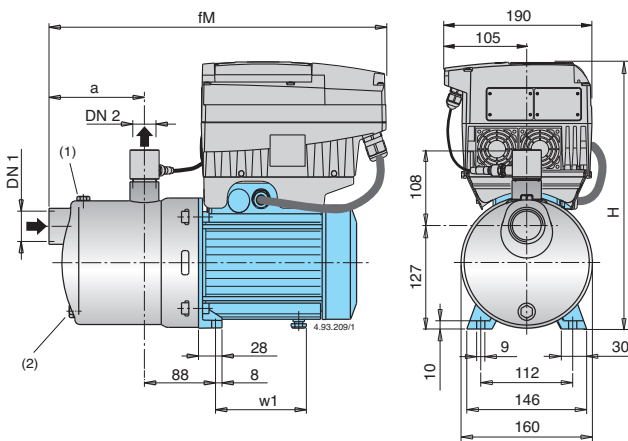
### Dimensions and weights



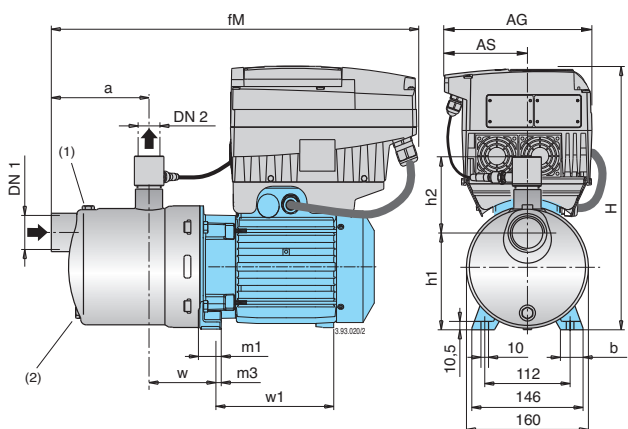
TYPE	DN1 ISO 228	DN2 ISO 228	mm				kg	
			fM	a	H	w1	MXH	MXHM
MXH 202E - MXHM 202E	G 1 1/4	G 1	331	94	176	98,5	6,8	6,9
MXH 203E - MXHM 203E	G 1 1/4	G 1	331	94	176	98,5	7,6	7,7
MXH 204/A - MXHM 204/A	G 1 1/4	G 1	381	118	193	112	10	11
MXH 205/B - MXHM 205/A	G 1 1/4	G 1	405	142	193	112	12,3	12,5
MXH 402E - MXHM 402E	G 1 1/4	G 1	331	94	176	98,5	7,6	7,7
MXH 403/A - MXHM 403/A	G 1 1/4	G 1	357	94	193	112	9,3	10,3
MXH 404/B - MXHM 404/A	G 1 1/4	G 1	381	118	193	112	11,6	11,8
MXH 802/B - MXHM 802/A	G 1 1/2	G 1	381	118	193	112	11,4	11,6



TYPE	DN1 ISO 228	DN2 ISO 228	mm											kg	
			fM	a	w	H	h1	h2	m1	m3	b	w1	MXH	MXHM	
MXH 206/C - MXHM 206	G 1 1/4	G 1	500	166	88	210	127	57	31	10	30,5	167	18,5	18,6	
MXH 405/C - MXHM 405	G 1 1/4	G 1	476	142	88	210	127	57	31	10	30,5	167	18	18	
MXH 406/A - MXHM 406	G 1 1/4	G 1	500	166	88	210	127	57	31	10	30,5	167	19,5	20,5	
MXH 803/A - MXHM 803	G 1 1/2	G 1	452	118	88	210	127	57	31	10	30,5	167	15,8	16,9	
MXH 804/A - MXHM 804	G 1 1/2	G 1	482	148	88	210	127	57	31	10	30,5	167	18,2	19,2	
MXH 805/B - MXHM 805	G 1 1/2	G 1	552	178	88	210	127	57	31	10	30,5	207	21,4	22,4	
MXH 1602/A	G 2	G 1 1/2	476	128	101	210	117	70	31	10	30,5	167	18,2	-	
MXH 1603/B	G 2	G 1 1/2	516	128	101	210	117	70	31	10	30,5	207	20,8	-	
MXH 1604/A	G 2	G 1 1/2	612	166	113	235	132	70	44	12	38	232	33,8	-	
MXH 1605/B	G 2	G 1 1/2	650	203	113	235	132	70	44	12	38	232	35,5	-	
MXH 1606/B	G 2	G 1 1/2	687	241	113	235	132	70	44	12	38	232	36,4	-	



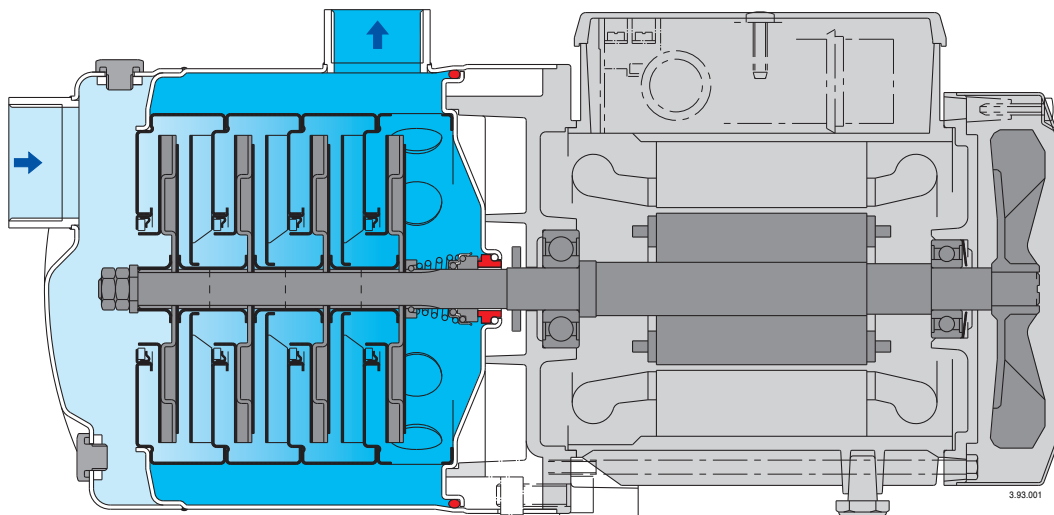
TYPE	DN1 ISO 228	DN2 ISO 228	mm				kg
			fM	a	H	w1	
MXH EI 204/A	G 1 1/4	G 1	444	118	349	112	16,4
MXH EI 205/B	G 1 1/4	G 1	468	142	349	112	17,9
MXH EI 403/A	G 1 1/4	G 1	420	94	349	112	15,7
MXH EI 404/B	G 1 1/4	G 1	444	118	349	112	17,2
MXH EI 802/B	G 1 1/2	G 1	444	118	349	112	17,0



TYPE	DN1 ISO 228	DN2 ISO 228	mm													kg
			fM	AG	AS	a	w	H	h1	h2	m1	m3	b	w1		
MXH EI 206/C	G 1 1/4	G 1	532	190	105	166	88	368	127	108	31	10	30,5	167	24,9	
MXH EI 405/C	G 1 1/4	G 1	508	190	105	142	88	368	127	108	31	10	30,5	167	24,4	
MXH EI 406/A	G 1 1/4	G 1	532	190	105	166	88	368	127	108	31	10	30,5	167	25,9	
MXH EI 803/A	G 1 1/2	G 1	484	190	105	118	88	368	127	108	31	10	30,5	167	22,2	
MXH EI 804/A	G 1 1/2	G 1	514	190	105	148	88	368	127	108	31	10	30,5	167	24,6	
MXH EI 805/B	G 1 1/2	G 1	552	190	105	178	88	368	127	108	31	10	30,5	207	27,8	
MXH EI 1602/A	G 2	G 1 1/2	508	190	105	128	101	368	117	122	31	10	30,5	167	24,6	
MXH EI 1603/B	G 2	G 1 1/2	516	190	105	128	101	368	117	122	31	10	30,5	207	27,2	
MXH EI 1604/A	G 2	G 1 1/2	627	210	118	166	113	391	132	122	44	12	38	232	41,3	
MXH EI 1605/B	G 2	G 1 1/2	665	210	118	203	113	391	132	122	44	12	38	232	43,0	
MXH EI 1606/B	G 2	G 1 1/2	702	210	118	241	113	391	132	122	44	12	38	232	43,9	

(1) Filling (2) Draining

### Features



#### Extra safety

against running dry, with the suction port above pump axis.

#### Reliable

All hydraulic parts in contact with the pumped liquid are of stainless steel.  
For liquids from -15 °C to 110 °C.

#### Robust

Single-piece, thick barrel casing.

#### Compact

Single-piece lantern bracket and base.  
Without protruding flange.

#### Greater protection

against leakage, with the pump casing cover separated from the motor shield.  
Possibility of inspecting the seal through the side apertures between the two walls.  
Greater protection against water entering the motor from outside provided by an extension of the pump casing around the lantern bracket.





### Construction

Horizontal multi-stage close coupled pumps in **chrome-nickel-molybdenum stainless steel AISI 316L**.

Compact and robust construction, without protruding flange and with single-piece lantern bracket and base.

Single-piece barrel casing, with front suction port above pumps axis and radial delivery at top.

Filling and draining plugs on the middle of the pump, accessible from any side (like the terminal box).

### Applications

For water supply.

For clean liquids, without abrasives, which are non-aggressive for stainless steel (with suitable seal materials, on request).

Universal pump, for domestic use, for civil and industrial applications, for garden use and irrigation.

### Operating conditions

Liquid temperature from - 15 °C to + 110 °C.

Ambient temperature up to 40 °C.

Maximum permissible pressure in the pump casing: 8 bar.

Continuous duty.

### Motor

2-pole induction motor, 50 Hz (n ≈ 2800 rpm).

**MXHL:** three-phase 230/400 V ± 10%.

**MXHLM:** single-phase 230 V ± 10%, with thermal protector.

Capacitor inside the terminal box.

Insulation class F. Protection IP 54.

Motor suitable for operation with frequency converter from 1,1 kW.

**Classification scheme IE3 for three-phase motors from 0,75 kW.**

Constructed in accordance with: EN 60034-1; EN 60034-30-1.

EN 60335-1, EN 60335-2-41.

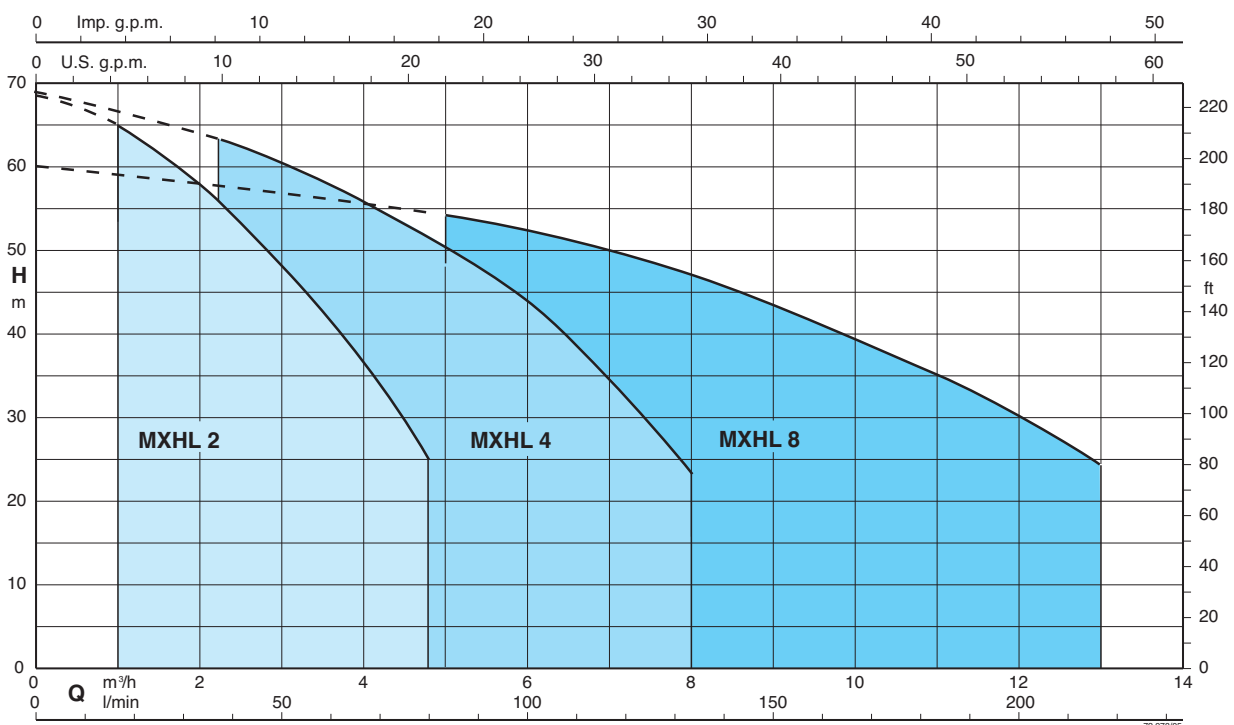
### Materials

Component	Material
Pump casing	Cr-Ni-Mo steel 1.4404 EN 10088 (AISI 316L)
Stage casing	Cr-Ni-Mo steel 1.4404 EN 10088 (AISI 316L)
Wear ring	PTFE
Impeller	Cr-Ni-Mo steel 1.4404 EN 10088 (AISI 316L)
Casing cover	Cr-Ni-Mo steel 1.4404 EN 10088 (AISI 316L)
Spacer sleeve	Cr-Ni-Mo steel 1.4404 EN 10088 (AISI 316L)
Pump shaft	Cr-Ni-Mo steel 1.4404 EN 10088 (AISI 316L)
Plug	Cr-Ni-Mo steel 1.4404 EN 10088 (AISI 316L)
Mechanical seal with seat according to ISO 3069	Ceramic alumina, carbon, EPDM (Other materials on request)

### Special features on request

- Other voltages. - Frequency 60 Hz (as per 60 Hz data sheet).
- Protection IP 55.
- Special mechanical seal
- Pump casing seal rings in FPM.
- Higher or lower liquid or ambient temperatures.
- Motor suitable for operation with frequency converter up to 0,75 kW.

### Coverage chart n ≈ 2800 rpm



### Performance n ≈ 2800 rpm

3 ~	230 V		400 V	1 ~	230 V		P <sub>1</sub>	P <sub>2</sub>		Q	m <sup>3</sup> /h									
	A	A			A	kW		kW	HP		l/min	0	1	1,5	2	2,5	3	3,5	4	4,25
MXHL 202E	1,7	1		MXHLM 202E	2,3	0,5	0,33	0,45	H m	22	20	18,5	17	15,3	13,4	11,4	9,3	8,2	5,6	
MXHL 203E	2,4	1,4		MXHLM 203E	3	0,65	0,45	0,6		33	31	29	27	24,5	21,7	18,6	15,5	13,8	9	
MXHL 204/A	2,8	1,6		MXHLM 204/A	4,2	0,9	0,55	0,75		45	42,5	40,4	37,5	34,5	30,8	26,7	22,4	20,1	14,8	
MXHL 205/B	3,5	2		MXHLM 205/A	5,4	1,2	0,75	1		57	53,5	50,5	47,5	43,5	39	34	28,5	25,8	19	
MXHL 206/C	4,7	2,7		MXHLM 206	7,4	1,5	1,1	1,5		68,5	65	61,5	58	53,5	48	43	36,5	33,5	25	

3 ~	230 V		400 V	1 ~	230 V		P <sub>1</sub>	P <sub>2</sub>		Q	m <sup>3</sup> /h									
	A	A			A	kW		kW	HP		l/min	0	2,25	3	3,5	4	4,5	5	6	7
MXHL 402E	2,4	1,4		MXHLM 402E	3	0,65	0,45	0,6	H m	22,5	20	19	18,5	17,5	16	15	12,5	9,5	6	
MXHL 403/A	2,8	1,6		MXHLM 403/A	4,2	0,9	0,55	0,75		33	30	29	27,5	26	24,5	23	19,5	15	9,5	
MXHL 404/B	3,5	2		MXHLM 404/A	5,4	1,2	0,75	1		44,5	40,5	38	36,5	35	33	31	26	20	12,5	
MXHL 405/C	4,7	2,7		MXHLM 405	7,4	1,5	1,1	1,5		56,5	52	50	47,5	45,5	43	40	33,5	26	16,5	
MXHL 406/A	6,2	3,6		MXHLM 406	9,2	2	1,5	2		68,5	63	60	58	56	53,5	51	44	35	23	

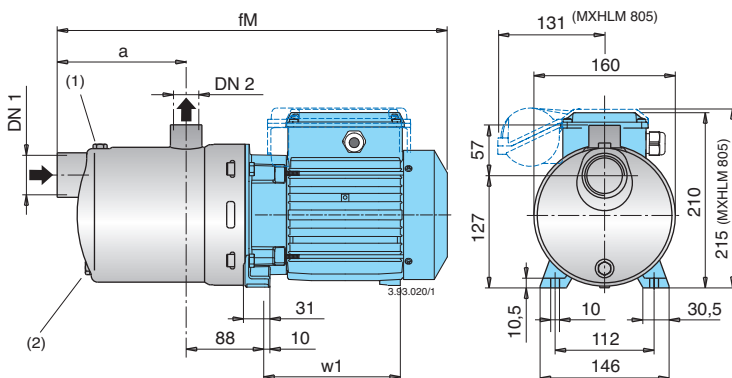
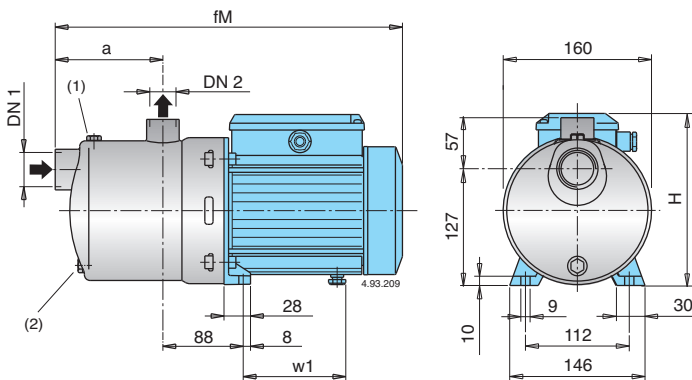
3 ~	230 V		400 V	1 ~	230 V		P <sub>1</sub>	P <sub>2</sub>		Q	m <sup>3</sup> /h												
	A	A			A	kW		kW	HP		l/min	0	5	6	7	8	9	10	11	12	13		
MXHL 802/B	3,5	2		MXHLM 802/A	5,4	1,2	0,75	1	H m	22,5	20,5	20	19	18	16,5	15	13	11	8,5				
MXHL 803/A	4,7	2,7		MXHLM 803	7,4	1,5	1,1	1,5		36	32	30,5	29	27,5	25,5	23	20	17	14				
MXHL 804/A	6,2	3,6		MXHLM 804	9,2	2	1,5	2		48	42,5	41	39	37	34,5	32	28	24	19,5				
MXHL 805/B	8,3	4,8		MXHLM 805	11,2	2,5	1,8	2,5		60	54	52	49,5	47	43,5	39,5	35	29,5	24				
										60	54	52	49,5	47	43,5	39,5	35	29,5	24				

P<sub>1</sub> Max. power input.  
P<sub>2</sub> Rated motor power output.

Test results with clean cold water, without gas content.  
Tolerances according to UNI EN ISO 9906:2012

+ 0,5 m security margin on NPSH-value is necessary.

### Dimensions and weights

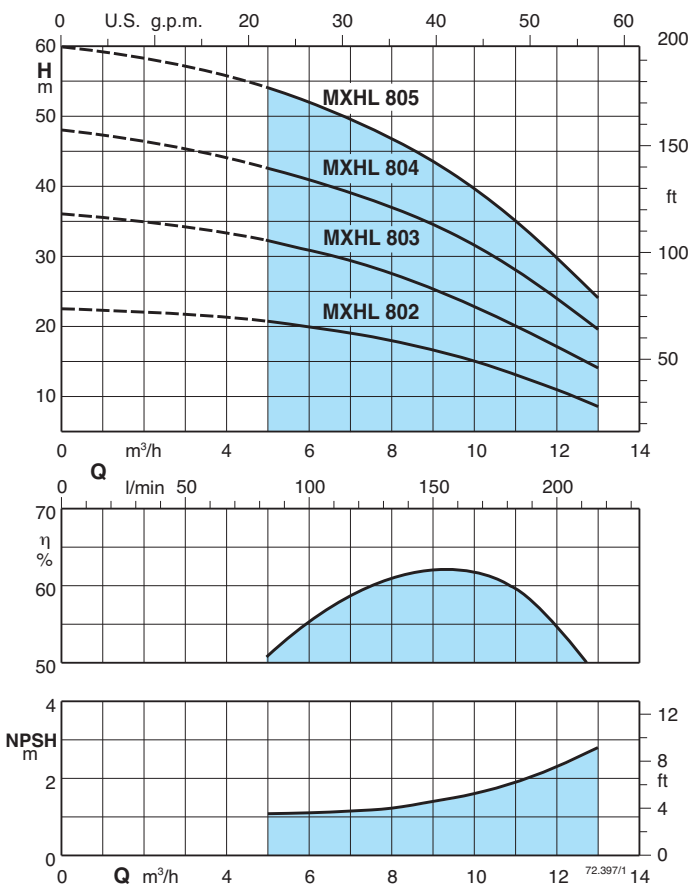
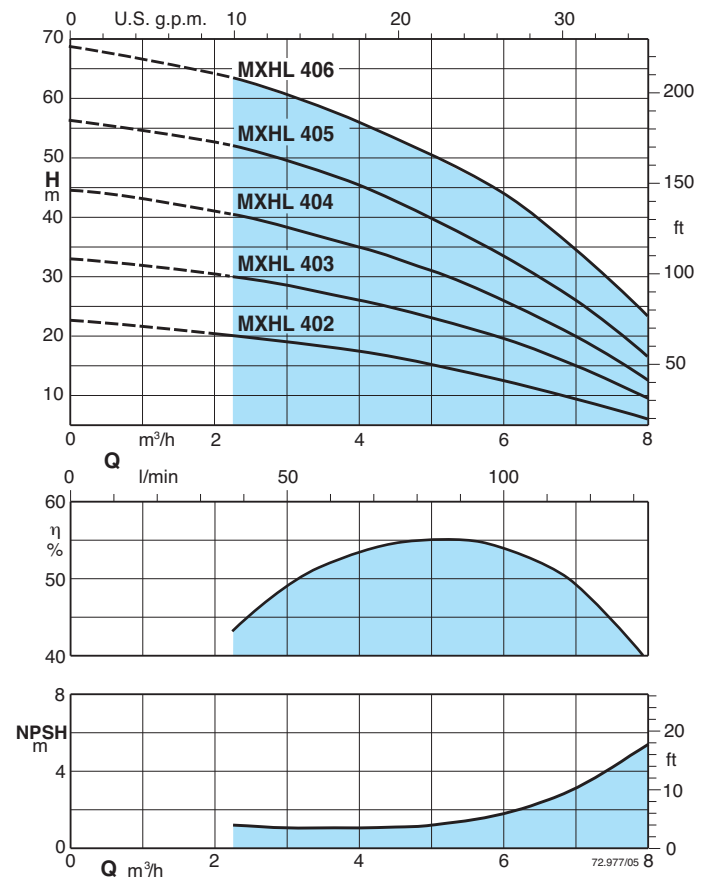
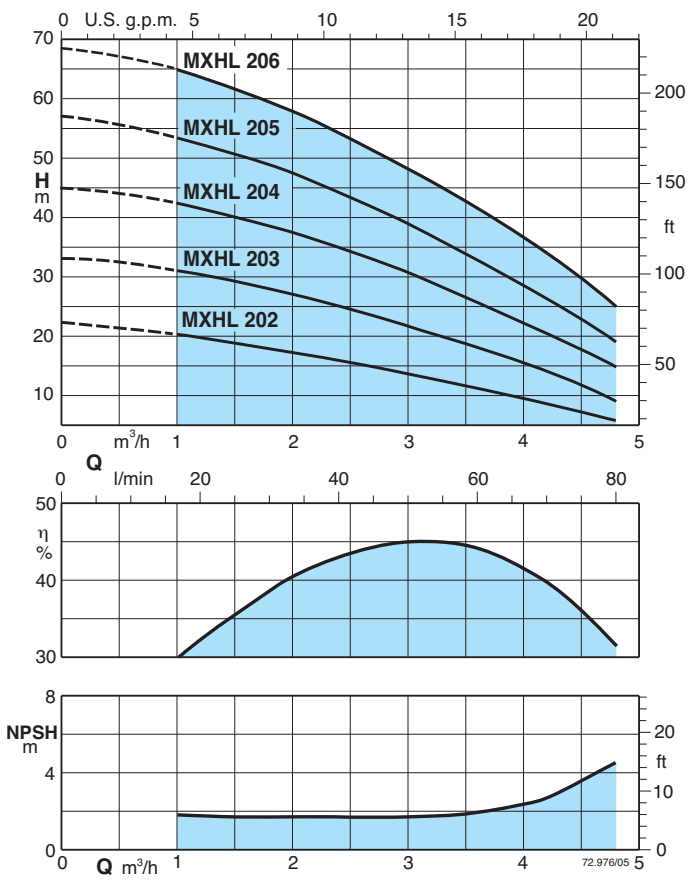


TYPE	DN1	DN2	mm				kg	
			fM	a	H	w1	MXHL	MXHLM
MXHL 202E - MXHLM 202E	G 1 1/4	G 1	331	94	176	98,5	6,8	6,9
MXHL 203E - MXHLM 203E	G 1 1/4	G 1	331	94	176	98,5	7,6	7,7
MXHL 204/A - MXHLM 204/A	G 1 1/4	G 1	381	118	193	112	10	11
MXHL 205/B - MXHLM 205/A	G 1 1/4	G 1	405	142	193	112	12,3	12,5
MXHL 402E - MXHLM 402E	G 1 1/4	G 1	331	94	176	98,5	7,6	7,7
MXHL 403/A - MXHLM 403/A	G 1 1/4	G 1	357	94	193	112	9,3	10,3
MXHL 404/B - MXHLM 404/A	G 1 1/4	G 1	381	118	193	112	11,6	11,8
MXHL 802/B - MXHLM 802/A	G 1 1/2	G 1	381	118	193	112	11,4	11,6

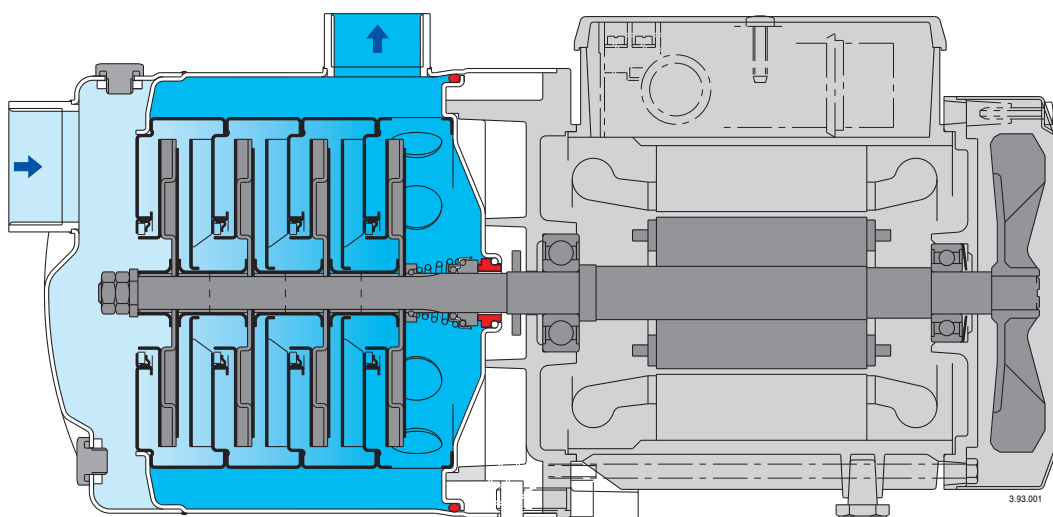
TYPE	DN1	DN2	mm			kg	
			fM	a	w1	MXHL	MXHLM
MXHL 206/C - MXHLM 206	G 1 1/4	G 1	500	166	167	18,5	18,6
MXHL 405/C - MXHLM 405	G 1 1/4	G 1	476	142	167	18	18
MXHL 406/A - MXHLM 406	G 1 1/4	G 1	500	166	167	19,5	20,5
MXHL 803/A - MXHLM 803	G 1 1/2	G 1	452	118	167	15,8	16,9
MXHL 804/A - MXHLM 804	G 1 1/2	G 1	482	148	167	18,2	19,2
MXHL 805/B - MXHLM 805	G 1 1/2	G 1	552	178	207	21,4	22,4

(1) Filling (2) Draining

### Characteristic curves $n \approx 2800$ rpm



### Features



#### **Extra safety**

against running dry, with the suction port above pump axis.

#### **Reliable**

All hydraulic parts in contact with the pumped liquid are of stainless steel.  
For liquids from -15 °C to 110 °C.

#### **Robust**

Single-piece, thick barrel casing.

#### **Compact**

Single-piece lantern bracket and base.  
Without protruding flange.

#### **Greater protection**

against leakage, with the pump casing cover separated from the motor shield.  
Possibility of inspecting the seal through the side apertures between the two walls.  
Greater protection against water entering the motor from outside provided by an extension of the pump casing around the lantern bracket.



### Construction

Horizontal multi-stage close coupled pumps in **chrome-nickel stainless steel**.

Compact and robust construction, with compact lantern bracket and motor with feet.

Single-piece barrel casing, with front suction port above pumps axis and radial delivery at top.

Filling and draining plugs on the middle of the pump, accessible from any side (like the terminal box).

**Version with frequency converter** (on request)

### Applications

For water supply.

For clean liquids, without abrasives, which are non-aggressive for stainless steel (with suitable seal materials, on request).

Universal pump, for civil and industrial applications, for garden use and irrigation.

### Operating conditions

Liquid temperature from - 15 °C to + 110 °C.

Ambient temperature up to 40 °C.

Maximum permissible pressure in the pump casing: 10 bar.

### Motor

2-pole induction motor, 50 Hz ( $n \approx 2900$  rpm).

**MXH:** three-phase 230/400 V  $\pm 10\%$  up to 3 kW;

400/690 V  $\pm 10\%$  from 4 to 7,5 kW.

Insulation class F. Protection IP 54.

Motor suitable for operation with frequency converter.

**Classification scheme IE3 for three-phase motors from 0,75 kW.**

Constructed in accordance with: EN 60034-1;

EN 60034-30-1.

### Special features on request

- Pump with Victaulic ports (MXH-V).

- Pump with flanged ports (MXH-F).

- Other voltages.

- Frequency 60 Hz (as per 60 Hz data sheet).

- Protection IP 55.

- Special mechanical seal

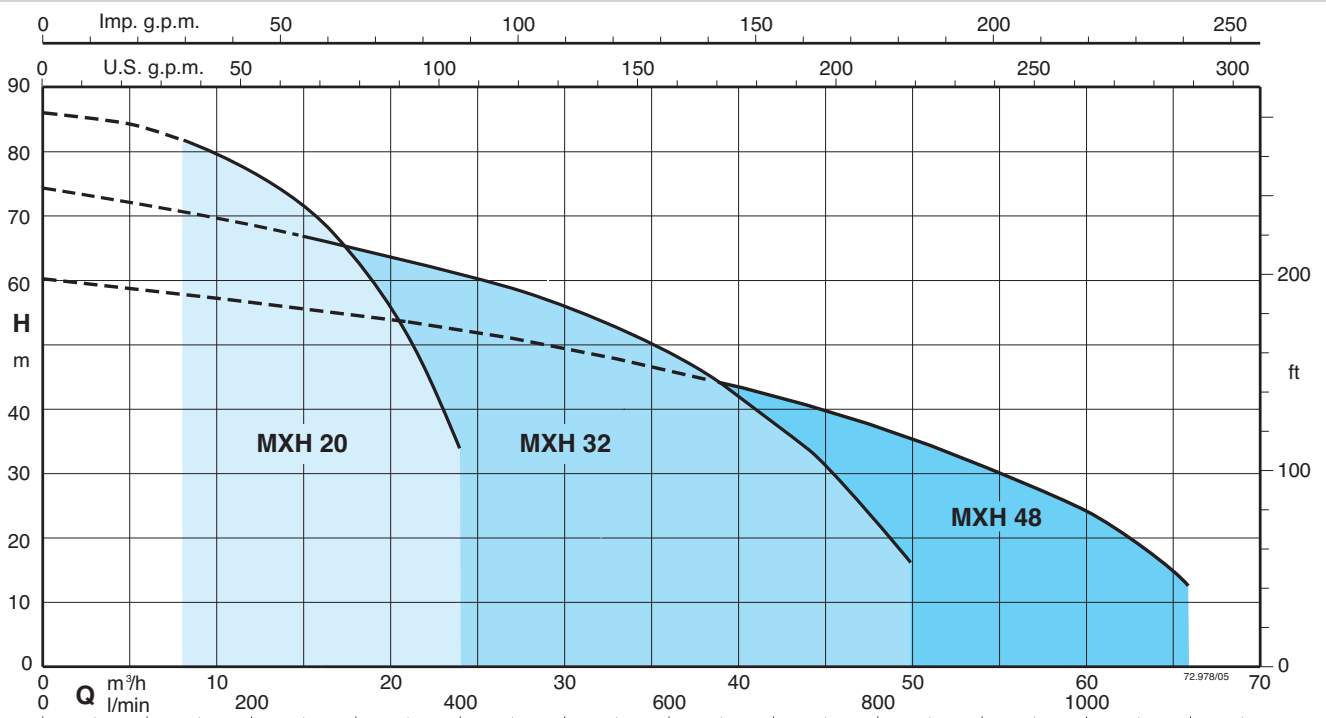
- Seal rings in FPM.

- Higher or lower ambient temperatures.

### Materials

Component	Material
Pump casing	Chrome-nickel steel 1.4301 EN 10088 (AISI 304)
Stage casing	Chrome-nickel steel 1.4301 EN 10088 (AISI 304)
Wear ring	PTFE
Impeller	Chrome-nickel steel 1.4301 EN 10088 (AISI 304)
Casing cover	Chrome-nickel steel 1.4301 EN 10088 (AISI 304)
Spacer sleeve	Chrome-nickel steel 1.4301 EN 10088 (AISI 304)
Pump shaft	Chrome-nickel steel 1.4401 EN 10088 (AISI 316)
Plug	Chrome-nickel steel 1.4305 EN 10088 (AISI 303)
Mechanical seal with seat according to ISO 3069-KU	Ceramic alumina, carbon, EPDM (Other materials on request)

### Coverage chart $n \approx 2900$ rpm



### Pumps with frequency converter

The **MXH EI** pumps are available with power from 1,1 kW up to 7,5 kW, the pumps are equipped with **I-MAT** installed on board which allows to realize a variable-speed system extremely compact and efficient, ideal in applications of water supply and in the distribution of hot and cold water.

The pump is equipped with transducers suitable for operation and is already programmed at the factory.

#### Advantages

- Energy saving
- Compact design
- Easy to use
- Programmable to suit the system requirements
- Reliability

#### Costruction

The system comprises of:

- Pump
- Induction motor
- I-MAT Frequency converter
- Motor adapter for the motor mounting of the frequency converter
- Connection cable between frequency converter and induction motor
- Transducers

#### Main features

Rated motor power output from 1,1 kW to 7,5 kW

Control range from 1750 to 2900 rpm (2-pole)

Protection against dry running

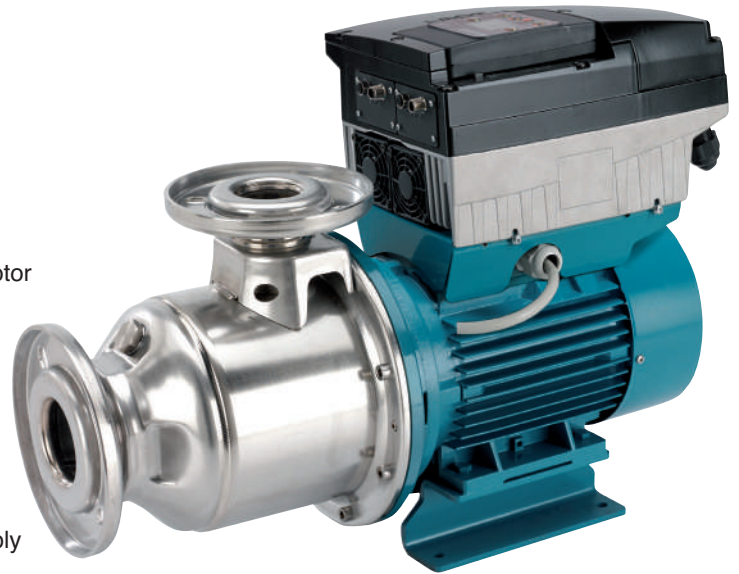
Protection against operations with closed valve ports

Protection against system leakages

Protection against overcurrent in the motor

Protection against overvoltage and undervoltage of the power supply

Protection against current unbalances between phases

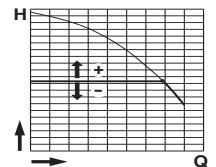


### Operating modes



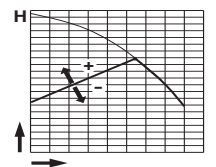
#### Constant pressure mode with pressure transducer

In this mode, the system maintains the preset pressure when the flow required by the installation changes.



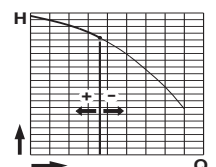
#### Proportional pressure mode with pressure transducer

In this mode the system changes the working pressure according to the required flow rate.



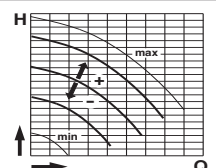
#### Constant flow mode with flow meter

In this mode the system maintains a constant flow rate value in a point of the installation according to the required pressure.



#### Fixed speed mode with setting of the speed preferential rotation.

In this mode, by changing the working frequency, you may choose any operational curve included within the working range.



#### Constant temperature mode with temperature transducer

In this mode the system keeps the temperature constant inside a system by changing the speed of the pump.

### Performance n ≈ 2900 rpm

3 ~	230 V		400 V		P <sub>2</sub>		Q	m³/h											
	A	A	kW	HP	0	8		10	12	14	16	18	20	22	24				
MXH 2001/A	4,6	2,7	1,1	1,5	H m	17,6	15,7	15,1	14,4	13,5	12,4	11,1	9,5	7,6	5,4				
MXH 2002/A	8,3	4,8	1,8	2,5		35,1	31,4	30,3	29,1	27,5	25,6	23,4	20,6	17,4	13,6				
MXH 2003	11,5	6,6	3	4		54	48,5	46,9	45,2	43,2	40,8	37,7	33,8	28,8	22,3				
MXH 2004/A	-	9,6	4	5,5		71,5	64,5	62,5	60,5	57,5	54,5	50	45	38	29				
MXH 2005	-	10,8	5,5	7,5		89	81,5	79	76	72,5	68	63	56,5	48,5	36				

3 ~	230 V		400 V		P <sub>2</sub>		Q	m³/h											
	A	A	kW	HP	0	15		21	24	27	30	33	36	39	44	50			
MXH 3201/B	9,2	5,3	2,2	3	H m	18,4	16,3	15,3	14,8	14	13	12	10,8	9,3	6	-			
MXH 3202/B	-	9,6	4	5,5		37	33	31	30	28,5	27	25	23	20,5	15	7,5			
MXH 3203/A	-	10,8	5,5	7,5		55,5	50	47	45,5	43	40,5	38	35	31	23	10			
MXH 3204/A	-	14,3	7,5	10		74,5	67	63	61	59	56	53	49	44	34	16,5			

3 ~	230 V		400 V		P <sub>2</sub>		Q	m³/h											
	A	A	kW	HP	0	21		27	33	39	45	48	51	54	60	66			
MXH 4801/A	11,5	6,6	3	4	H m	20	18	17	16	14,5	12,5	11,5	10,5	9,5	7	-			
MXH 4802/A	-	10,8	5,5	7,5		41	35,3	33	30,5	27,5	24,5	22,5	21	19	14	7,5			
MXH 4803/A	-	14,3	7,5	10		60,5	53	50	46	42,5	38	35	32,5	29	22,5	16			

P<sub>2</sub> Rated motor power output.

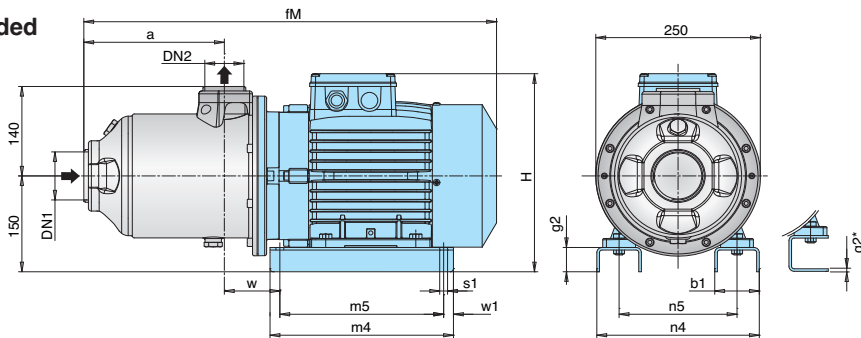
Test results with clean cold water, without gas content.

+ 0,5 m security margin on NPSH-value is necessary.

Tolerances according to UNI EN ISO 9906:2012

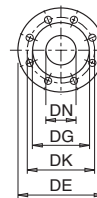
### Dimensions and weights

#### Threaded ports MXH



TYPE	DN1	DN2	mm												kg
			ISO 228		fM	a	H	m4	m5	n4	n5	w1	b1	s1	
MXH 2001/A	G 2	G 1 1/2	467	127	280	205	175	170	130	15	54	10	95	6*	26
MXH 2002/A	G 2	G 1 1/2	507	127	280	205	175	170	130	15	54	10	95	6*	30
MXH 2003	G 2	G 1 1/2	540	146	290	205	175	180	140	15	54	10	112	6*	38
MXH 2004/A	G 2	G 1 1/2	574	180,5	290	205	175	180	140	15	54	10	112	6*	39
MXH 2005	G 2	G 1 1/2	630,5	215	310	280	250	258	190	15	68	12	84	38	50,5
MXH 3201/B	G 2 1/2	G 2	503,5	123	280	205	175	170	130	15	54	10	95	6*	29,4
MXH 3202/B	G 2 1/2	G 2	517,5	123	290	205	175	180	140	15	54	10	112	6*	38,5
MXH 3203/A	G 2 1/2	G 2	584,5	169	310	280	250	258	190	15	68	12	84	38	50
MXH 3204/A	G 2 1/2	G 2	630,5	215	310	280	250	258	190	15	68	12	84	38	57,5
MXH 4801/A	G 3	G 2 1/2	547,5	138,5	290	205	175	180	140	15	54	10	128,5	6*	38
MXH 4802/A	G 3	G 2 1/2	568,5	138,5	310	280	250	258	190	15	68	12	100	38	49,5
MXH 4803/A	G 3	G 2 1/2	630,5	200	310	280	250	258	190	15	68	12	100	38	58

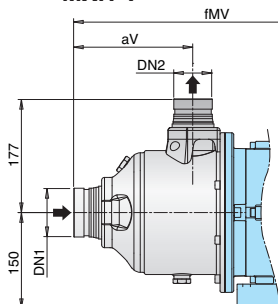
#### Flanges\* EN 1092-2



DN	DE	DK	DG	Holes	
				N.	Ø
40	150	110	81	4	19
50	165	125	99	4	19
65	185	145	118	4	19
80	200	160	132	8	19

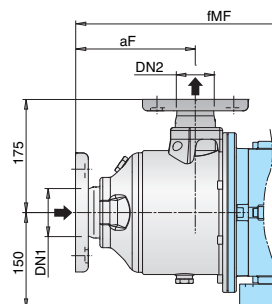
\* ASME 150 lb (ex ANSI 150 lb)

#### Victaulic ports MXH-V



TYPE	DN1	DN2	mm	
			fMV	aV
MXH-V 3201/B	76,1 (DN65)	60,3 (DN50)	541	160
MXH-V 3202/B	76,1 (DN65)	60,3 (DN50)	555	160
MXH-V 3203/A	76,1 (DN65)	60,3 (DN50)	622	206
MXH-V 3204/A	76,1 (DN65)	60,3 (DN50)	668	252
MXH-V 4801/A	88,9 (DN80)	76,1 (DN65)	585	175
MXH-V 4802/A	88,9 (DN80)	76,1 (DN65)	606	175
MXH-V 4803/A	88,9 (DN80)	76,1 (DN65)	668	237

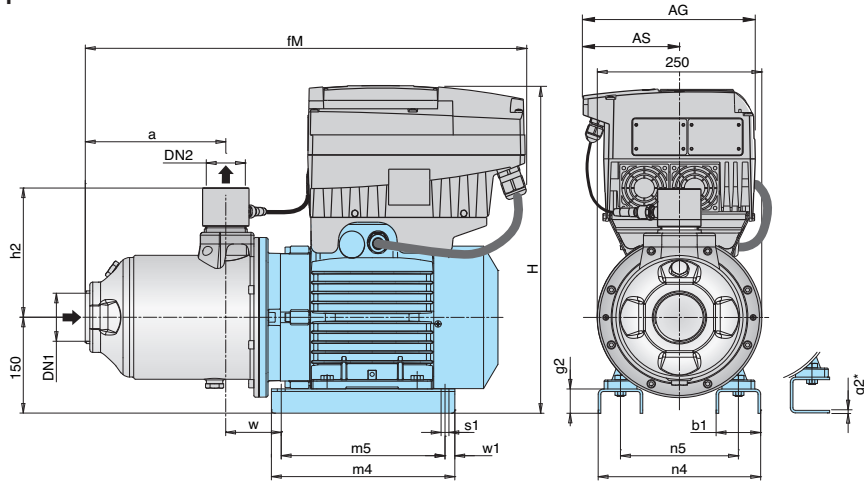
#### Flanged ports MXH-F



TYPE	DN1	DN2	mm	
			fMF	aF
MXH-F 2001/A	50	40	502	161,5
MXH-F 2002/A	50	40	542	161,5
MXH-F 2003	50	40	575	180,5
MXH-F 2004/A	50	40	624	215
MXH-F 2005	50	40	665	249,5
MXH-F 3201/B	65	50	531	151
MXH-F 3202/B	65	50	545	151
MXH-F 3203/A	65	50	612	197
MXH-F 3204/A	65	50	658	243
MXH-F 4801/A	80	65	565	156
MXH-F 4802/A	80	65	586	156
MXH-F 4803/A	80	65	648	218

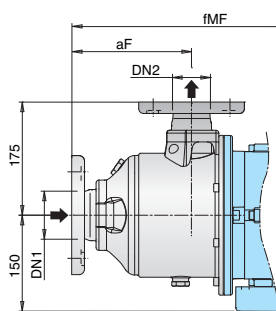
### Dimensions and weights

#### Threaded ports MXH EI

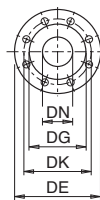


TYPE	DN1 ISO 228	DN2	mm														kg	
			fM	AG	AS	a	H	h2	m4	m5	n4	n5	w1	b1	s1	w		g2
MXH EI 2001/A	G 2	G 1 1/2	499	190	105	127	436	192	205	175	170	130	15	54	10	95	6*	32,4
MXH EI 2002/A	G 2	G 1 1/2	532	210	118	127	436	192	205	175	170	130	15	54	10	95	6*	36,4
MXH EI 2003	G 2	G 1 1/2	572	210	118	146	444	192	205	175	180	140	15	54	10	112	6*	45,5
MXH EI 2004/A	G 2	G 1 1/2	606	210	118	180,5	444	192	205	175	180	140	15	54	10	112	6*	46,5
MXH EI 2005	G 2	G 1 1/2	630,5	210	118	215	472	192	280	250	258	190	15	68	12	84	38	65,3
MXH EI 3201/B	G 2 1/2	G 2	528,5	210	118	123	436	197	205	175	170	130	15	54	10	95	6*	35,8
MXH EI 3202/B	G 2 1/2	G 2	594,5	210	118	123	444	197	205	175	180	140	15	54	10	112	6*	46,0
MXH EI 3203/A	G 2 1/2	G 2	594,5	210	118	169	472	197	280	250	258	190	15	68	12	84	38	64,8
MXH EI 3204/A	G 2 1/2	G 2	665,5	281	153	215	518	197	280	250	258	190	15	68	12	84	38	72,3
MXH EI 4801/A	G 3	G 2 1/2	579,5	210	118	138,5	444	202	205	175	180	140	15	54	10	128,5	6*	45,5
MXH EI 4802/A	G 3	G 2 1/2	568,5	210	118	138,5	472	202	280	250	258	190	15	68	12	100	38	64,3
MXH EI 4803/A	G 3	G 2 1/2	665,5	281	153	200	518	202	280	250	258	190	15	68	12	100	38	72,8

#### Flanged ports MXH-F EI



TYPE	DN1 mm	DN2 mm	mm	
			fMF	aF
MXH-F EI 2001/A	50	40	534	161,5
MXH-F EI 2002/A	50	40	567	161,5
MXH-F EI 2003	50	40	607	180,5
MXH-F EI 2004/A	50	40	641	215
MXH-F EI 2005	50	40	665	249,5
MXH-F EI 3201/B	65	50	556	151
MXH-F EI 3202/B	65	50	622	151
MXH-F EI 3203/A	65	50	622	197
MXH-F EI 3204/A	65	50	693	243
MXH-F EI 4801/A	80	65	597	156
MXH-F EI 4802/A	80	65	586	156
MXH-F EI 4803/A	80	65	683	218



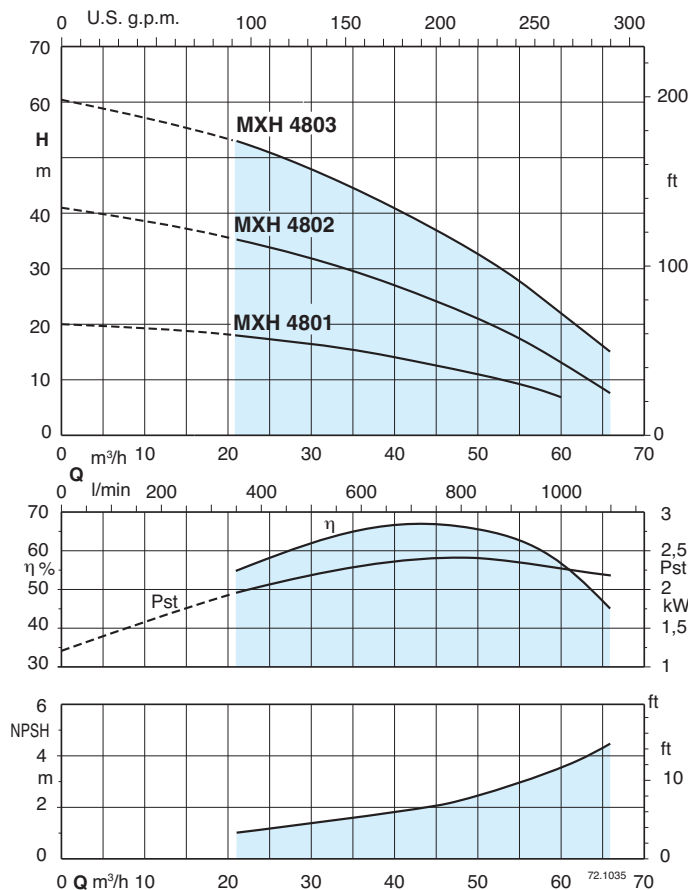
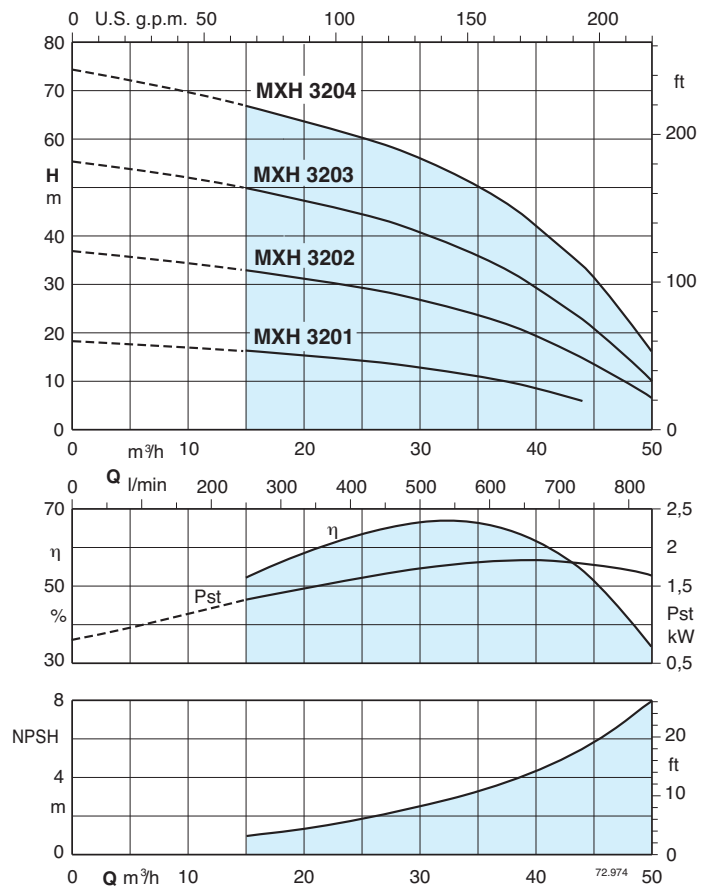
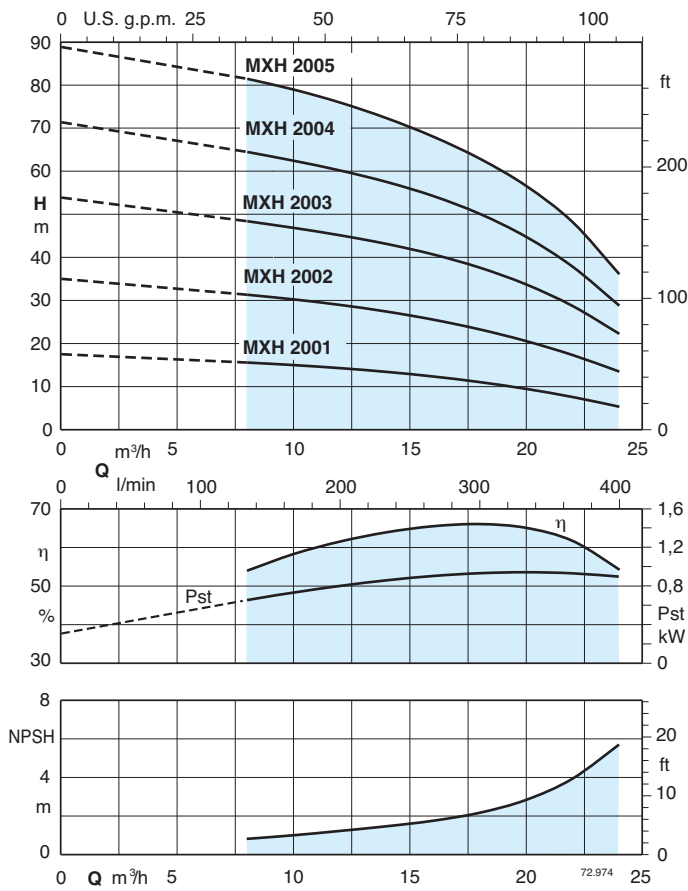
#### Flanges\* EN 1092-2

DN	DE	DK	DG	Holes	
				N.	Ø
40	150	110	81	4	19
50	165	125	99	4	19
65	185	145	118	4	19
80	200	160	132	8	19

\* ASME 150 lb (ex ANSI 150 lb)



### Characteristic curves $n \approx 2900$ rpm



### Designation

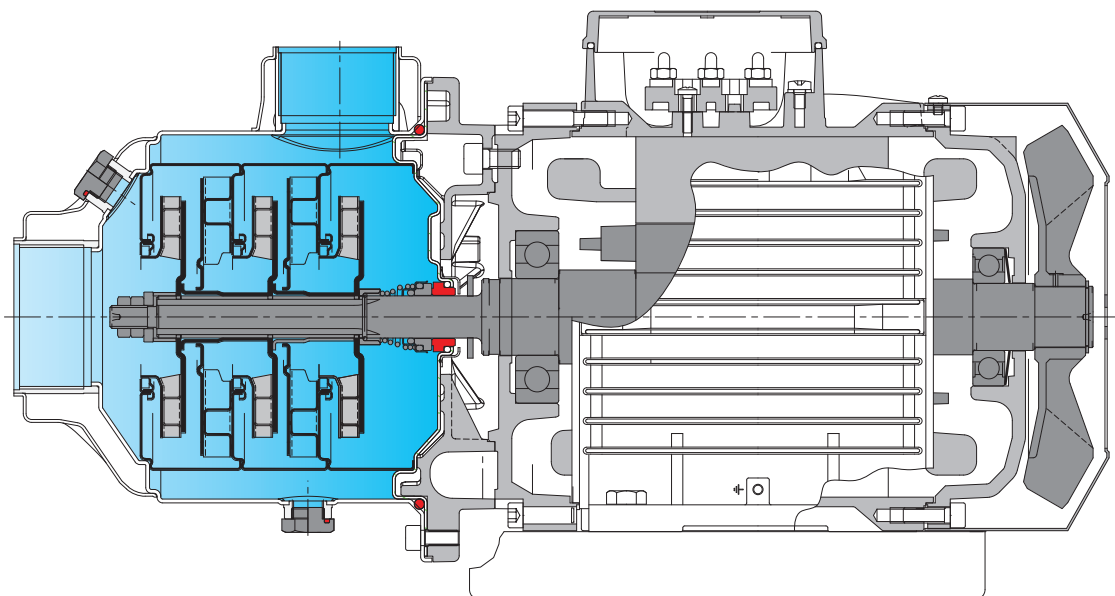
MXH-F EI 3204 \*

- Series \_\_\_\_\_
- No code = threaded ports \_\_\_\_\_
- Victaulic ports \_\_\_\_\_ V
- Flanged ports \_\_\_\_\_ F
- With frequency converter I-MAT \_\_\_\_\_
- Rated capacity in m³/h \_\_\_\_\_
- Number of stages \_\_\_\_\_

### Construction variants

special seal code (no code = standard seal) \_\_\_\_\_

### Features



#### **Flexibility**

Three versions of ports: threaded, flanged and Victaulic.

#### **Extra safety**

With front axis suction port for optimum suction conditions.

#### **Reliable**

All hydraulic parts in contact with the pumped liquid are made in stainless steel.  
For liquids from -15 °C to 110 °C.

#### **Robust**

Single-piece, thick barrel casing, open on one side only, with reinforced threaded ports.

#### **Compact**

The bracket between pump and motor is extremely compact.

#### **Greater protection**

Against leakage, with the pump casing cover separated from the motor shield.  
Possibility of inspecting the seal through the side apertures between the two walls.



### Construction

Horizontal multi-stage close coupled pump. Single-piece barrel casing in chrome-nickel stainless steel, with front suction port above pumps axis and radial delivery at top. Stages in Noryl.

### Applications

For water supply.  
For domestic use, for garden use and irrigation.

### Operating conditions

Liquid temperature: 0 °C to +50 °C.  
Ambient temperature up to +40 °C.  
Maximum permissible pressure in the pump casing: 8 bar.  
Continuous duty.

### Motor

2-pole induction motor, 50 Hz ( $n \approx 2800$  rpm).  
**MXP:** three-phase 230/400 V  $\pm 10\%$ .  
**MXPM:** single-phase 230 V  $\pm 10\%$ , with thermal protector. Capacitor inside the terminal box.  
Insulation class F.  
Protection IP 54.  
Motor suitable for operation with frequency converter from 1,1 kW.  
**Classification scheme IE3 for three-phase motors from 0,75 kW.**  
Constructed in accordance with: EN 60034-1; EN 60034-30-1. EN 60335-1, EN 60335-2-41.

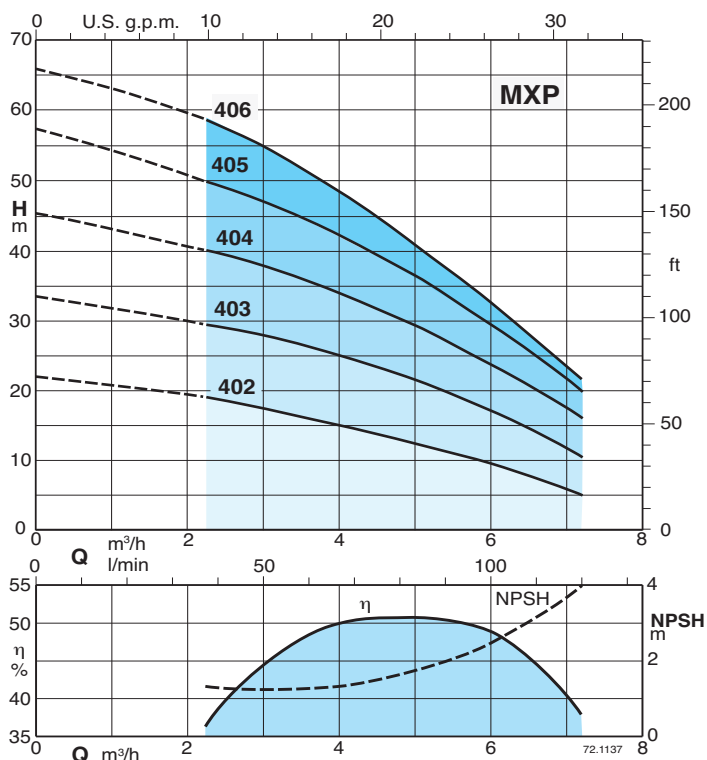
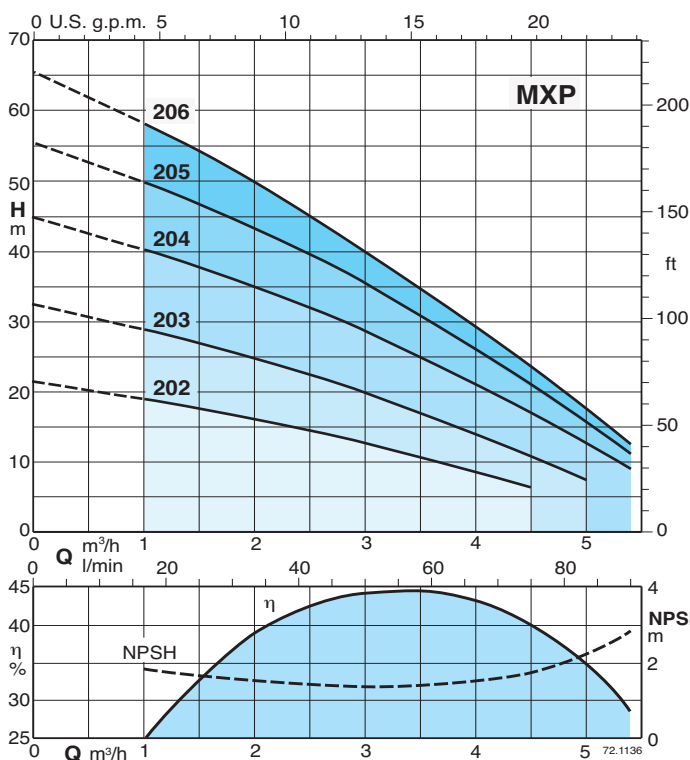
### Materials

Component	Material
Pump casing	Cr-Ni steel 1.4301 EN 10088 (AISI 304)
Casing cover	Cr-Ni steel 1.4301 EN 10088 (AISI 304)
Pump Shaft	Chrome steel 1.4104 EN 10088 (AISI 430)
Plug	Cr-Ni steel 1.4305 EN 10088 (AISI 303)
Stage casing	PPO-GF20 (Noryl)
Impeller	PPO-GF20 (Noryl)
Mechanical seal	Carbon - Ceramic - NBR

### Special features on request

- Other voltages.
- Frequency 60 Hz (as per 60 Hz data sheet).
- Motor suitable for operation with frequency converter up to 0,75 kW.

### Characteristic curves $n \approx 2800$ rpm



### Performance $n \approx 2800$ rpm

3 ~	230 V 400 V		1 ~	230 V		P <sub>1</sub>		P <sub>2</sub>		Q	m <sup>3</sup> /h											
	A	A		A	kW	kW	HP	l/min	0		1	1,5	2	2,5	3	3,5	4	4,5	5	5,4		
MXP 202	1,7	1	MXPM 202	2,3	0,45	0,33	0,45			H	m	21,5	19	17,5	16	14,5	12,5	10,5	8,5	6,5		
MXP 203	2,4	1,4	MXPM 203	3	0,63	0,45	0,6				32,5	29	27	25	22,5	20	17	14	11	7,5		
MXP 204/A	2,8	1,6	MXPM 204/A	4,2	0,8	0,55	0,75			H	m	45	40	37,5	35	32	28,5	25	21,5	17	13	9
MXP 205/A	3,5	2	MXPM 205	5,4	1,2	0,75	1				56	50	46,5	43,5	40	35,5	31	26,5	21	16	11	
MXP 206	3,5	2	MXPM 206	5,4	1,2	0,75	1				65,6	58,1	54,2	49,7	44,9	39,7	34,5	29	23,4	17,3	12,3	

3 ~	230 V 400 V		1 ~	230 V		P <sub>1</sub>		P <sub>2</sub>		Q	m <sup>3</sup> /h									
	A	A		A	kW	kW	HP	l/min	0		2,25	3	3,5	4	4,5	5	6	7,2		
MXP 402	2,4	1,4	MXPM 402	3	0,61	0,45	0,6			H	m	22	19	17,5	16,5	15	14	12,5	9,5	5
MXP 403/A	2,8	1,6	MXPM 403/A	4,2	0,9	0,55	0,75				33,5	30	28	26,5	25	23	21,5	17	10	
MXP 404/B	3,5	2	MXPM 404/A	5,4	1,2	0,75	1			H	m	46	40	38	36,5	34	32	29,5	24	16
MXP 405	4,5	2,6	MXPM 405	7,4	1,5	1,1	1,5				56	50	47	45	42	39,5	36	29,5	20	
MXP 406	4,5	2,6	MXPM 406	7,4	1,5	1,1	1,5				65,9	58,5	54,6	51,5	48,2	44,6	40,7	32,4	21,4	

P<sub>1</sub> Max. power input.

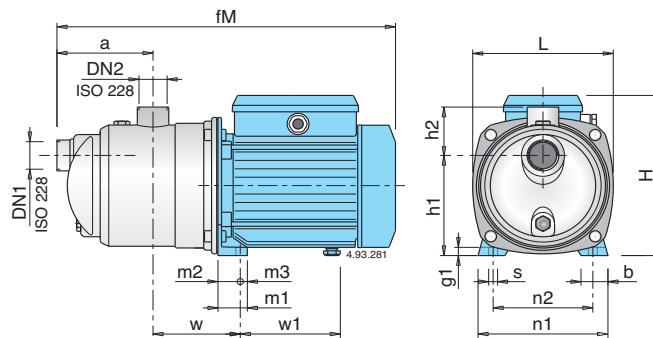
P<sub>2</sub> Rated motor power output.

Test results with clean cold water, without gas content.  
+ 0,5 m security margin on NPSH-value is necessary.

Tolerances according to UNI EN ISO 9906:2012

For capacities over 4 m<sup>3</sup>/h use a suction pipe G 1 1/4 (DN 32).

### Dimensions and weights



TYPE	DN1	DN2	Dimensions mm																Net weight kg	
			ISO 228	fM	a	w	h1	h2	H	L	m1	m2	m3	n1	n2	b	s	g1	w1	MXP
MXP 202 - MXPM 202	G 1	G 1	362	115	95	116	61	176	161	33	25	8	146	112	30	9	10	102	5,9	6
MXP 203 - MXPM 203	G 1	G 1	362	115	95	116	61	176	161	33	25	8	146	112	30	9	10	102	6,6	6,7
MXP 204/A - MXPM 204/A	G 1	G 1	391	115	95	116	61	192	161	33	25	8	146	112	30	9	10	112	8,7	9,6
MXP 205/A - MXPM 205	G 1	G 1	391	115	95	116	61	192	161	33	25	8	146	112	30	9	10	112	10,3	10,5
MXP 206 - MXPM 206	G 1 1/4	G 1	462	140	113	152	68	225	213,5	37,5	28	9,5	185	155	33	9,5	11	147	12,5	12,5
MXP 402 - MXPM 402	G 1	G 1	362	115	95	116	61	176	161	33	25	8	146	112	30	9	10	102	6,5	6,6
MXP 403/A - MXPM 403/A	G 1	G 1	391	115	95	116	61	192	161	33	25	8	146	112	30	9	10	112	8,6	9,5
MXP 404/B - MXPM 404/A	G 1	G 1	391	115	95	116	61	192	161	33	25	8	146	112	30	9	10	112	10,3	10,5
MXP 405 - MXPM 405	G 1	G 1	421	115	95	116	61	192	161	33	25	8	146	112	30	9	10	142	13,2	13,5
MXP 406 - MXPM 406	G 1 1/4	G 1	488,5	140	113	152	68	240	213,5	37,5	28	9,5	185	155	33	9,5	11	157,5	17,5	17,5

### Features

#### Extra safety

against running dry, with the suction port above pump axis.

#### Robust

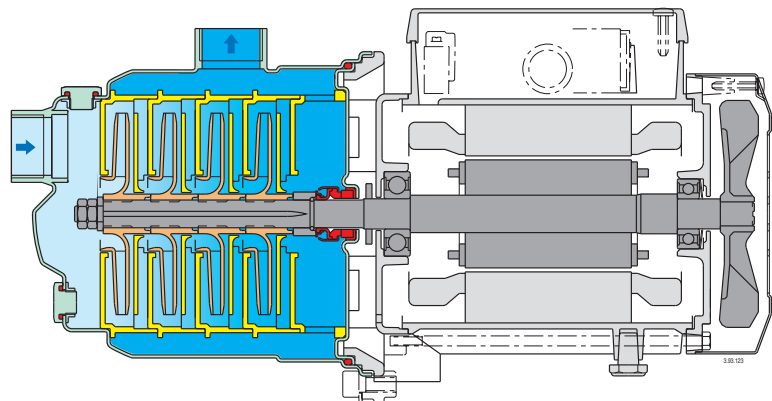
Single-piece barrel casing.

#### Compact

Single-piece lantern bracket and base.

#### Low noise

with the water-filled shroud around the stages.





### Construction

Horizontal multi-stage close coupled pump. Single-piece barrel casing in cast iron, with front suction port above pumps axis and radial delivery at top. Stages in Noryl.

### Applications

For water supply.  
For domestic use, for garden use and irrigation.

### Operating conditions

Liquid temperature: 0 °C to +50 °C.  
Ambient temperature up to +40 °C.  
Maximum permissible pressure in the pump casing: 8 bar.  
Continuous duty.

### Motor

2-pole induction motor, 50 Hz ( $n \approx 2800$  rpm).  
**MGP:** three-phase 230/400 V  $\pm 10\%$ .  
**MGPM:** single-phase 230 V  $\pm 10\%$ , with thermal protector. Capacitor inside the terminal box.  
Insulation class F.  
Protection IP 54.  
Motor suitable for operation with frequency converter from 1,1 kW.  
**Classification scheme IE3 for three-phase motors from 0,75 kW.**  
Constructed in accordance with: EN 60034-1; EN 60034-30-1. EN 60335-1, EN 60335-2-41.

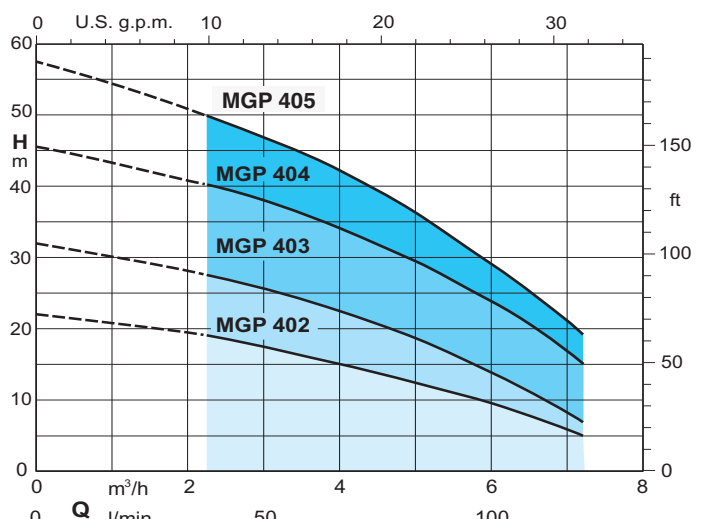
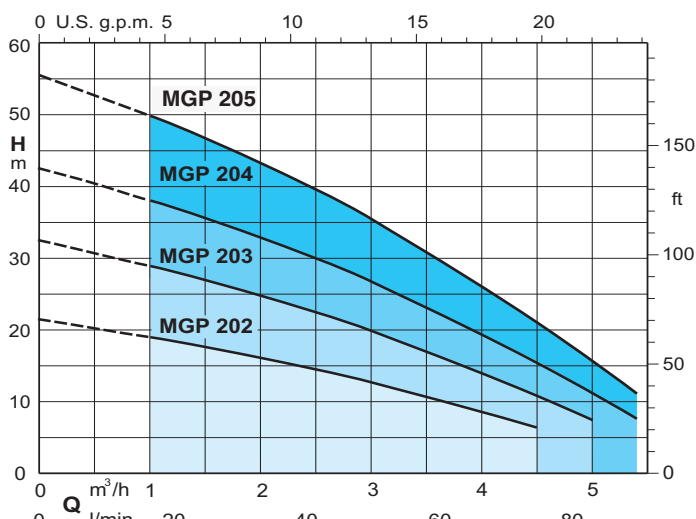
### Materials

Component	Material
Pump casing	Cast iron GJL 200 EN 1561
Casing cover	Cr-Ni steel 1.4301 EN 10088 (AISI 304)
Pump Shaft	Chrome steel 1.4104 EN 10088 (AISI 430)
Stage casing	PPO-GF20 (Noryl)
Impeller	PPO-GF20 (Noryl)
Mechanical seal	Carbon - Ceramic - NBR

### Special features on request

- Other voltages.
- Frequency 60 Hz (as per 60 Hz data sheet).
- Motor suitable for operation with frequency converter up to 0,75 kW.

### Characteristic curves $n \approx 2800$ rpm



### Performance $n \approx 2800$ rpm

	3 ~ 230 V 400 V		1 ~ 230 V	P <sub>1</sub>		P <sub>2</sub>		Q	H												
	A	A		A	kW	kW	HP		m <sup>3</sup> /h	l/min	0	1	1,5	2	2,5	3	3,5	4	4,5	5	5,4
<b>MGP 202</b>	1,7	1	<b>MGPM 202</b>	2,3	0,45	0,33	0,45	H	m	21,5	19	17,5	16	14,5	12,5	10,5	8,5	6,5			
<b>MGP 203</b>	2,4	1,4	<b>MGPM 203</b>	3	0,63	0,45	0,6			32,5	29	27	25	22,5	20	17	14	11	7,5		
<b>MGP 204</b>	2,8	1,6	<b>MGPM 204</b>	3,3	0,75	0,55	0,75			43	38	35,5	32,7	29,7	26,5	23	19,2	15,2	11	7,5	
<b>MGP 205/A</b>	3,5	2	<b>MGPM 205</b>	5,4	1	0,75	1			56	50	46,5	43,5	40	35,5	31	26,5	21	16	11	

	3 ~ 230 V 400 V		1 ~ 230 V	P <sub>1</sub>		P <sub>2</sub>		Q	H										
	A	A		A	kW	kW	HP		m <sup>3</sup> /h	l/min	0	2,25	3	3,5	4	4,5	5	6	7,2
<b>MGP 402</b>	2,4	1,4	<b>MGPM 402</b>	3	0,61	0,45	0,6	H	m	22	19	17,5	16,5	15	14	12,5	9,5	5	
<b>MGP 403</b>	3	1,73	<b>MGPM 403</b>	3,5	0,85	0,55	0,75			32	27,5	25,5	23,7	22	20	18	13,3	7	
<b>MGP 404/A</b>	3,5	2	<b>MGPM 404</b>	5,4	1,2	0,75	1			46	40	38	36,5	34	32	29,5	24	15	
<b>MGP 405</b>	4,5	2,6	<b>MGPM 405</b>	7,4	1,5	1,1	1,5			56	50	47	45	42,5	39,5	36	29	19	

P<sub>1</sub> Max. power input.

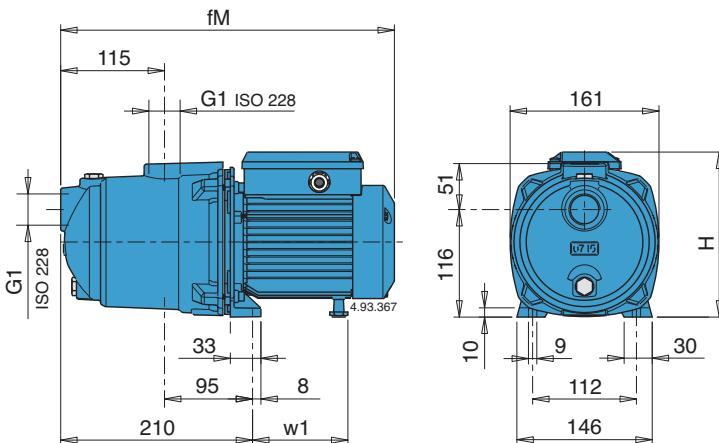
P<sub>2</sub> Rated motor power output.

Test results with clean cold water, without gas content.  
+ 0,5 m security margin on NPSH-value is necessary.

Tolerances according to UNI EN ISO 9906:2012

For capacities over 4 m<sup>3</sup>/h use a suction pipe G 1 1/4 (DN 32).

### Dimensions and weights



TYPE	mm			Net weight kg	
	fM	H	w1	MGP	MGPM
<b>MGP 202 - MGPM 202</b>	362	176	102	8,9	9
<b>MGP 203 - MGPM 203</b>	362	176	102	9,3	9,4
<b>MGP 204 - MGPM 204</b>	362	176	102	10,3	10,4
<b>MGP 205/A - MGPM 205</b>	391	192	112	13,3	13,5
<b>MGP 402 - MGPM 402</b>	362	176	102	9,5	9,6
<b>MGP 403 - MGPM 403</b>	362	176	102	10,3	10,4
<b>MGP 404/A - MGPM 404</b>	391	192	112	13,3	13,5
<b>MGP 405 - MGPM 405</b>	421	192	112	16,2	16,5

### Features

#### Extra safety

against running dry, with the suction port above pump axis.

#### Robust

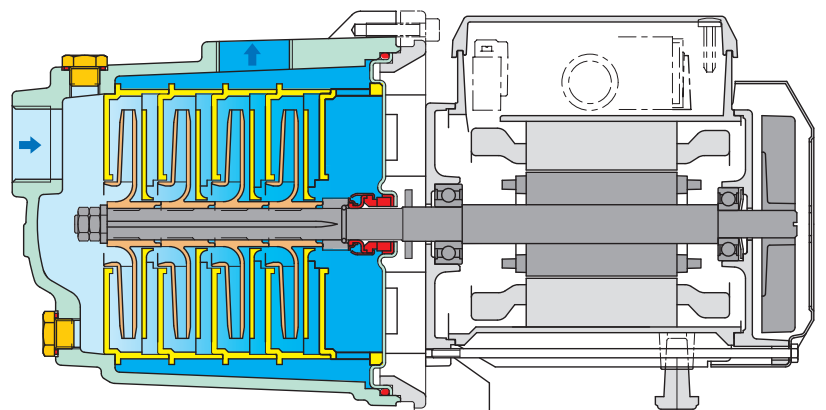
Single-piece barrel casing.

#### Compact

Single-piece lantern bracket and base.

#### Low noise

with the water-filled shroud around the stages.



# MPSU

## Vertical multi-stage close coupled pumps



PATENTED



### Construction

5" Vertical multi-stage close coupled **submersible or surface pumps.**

External jacket in stainless steel AISI 304 and stages Noryl. **MPSUM** with built-in capacitor, accessible through the delivery casing.

Suction connection on the lower casing and delivery connection on the top casing.

Motor cooled by the pumped water passing between the motor jacket and the external jacket.

Double mechanical shaft seal with interposed oil chamber.

### Applications

For clean water without abrasives or additives aggressive for the materials of the pump.

For domestic, civil and industrial applications.

For installation in confined space with minimum ventilation.

For installation in locations subject to risk of temporary flooding, the pump can be fully immersed.

For installation in areas exposed to water jetting.

When low-noise operation is required.

### Operating conditions

Water temperature up to 35 °C.

Maximum permissible pressure in the pump casing: 8 bar.

Continuous duty.

### Motor

2-pole induction motor, 50 Hz ( $n \approx 2900$  1/min).

**MPSU** : three-phase 230 V  $\pm 10\%$ ;

three-phase 400 V  $\pm 10\%$ .

Cable: H07RN8-F, length 5 m, without plug.

**MPSUM** : single-phase 230 V  $\pm 10\%$ , with thermal protector.

Incorporated capacitor.

Float switch MPSUM.. CG (on demand)

Cable: H07RN8-F, length 5 m, with plug CEI-UNEL 47166.

Insulation class F.

Protection IP X8 (for continuous immersion).

Triple impregnation humidity-proof dry winding.

Constructed in accordance with EN 60034-1;

EN 60335-1, EN 60335-2-41.

### Special features on request

- Other voltages. - Frequency 60 Hz (as per 60 Hz data sheet).

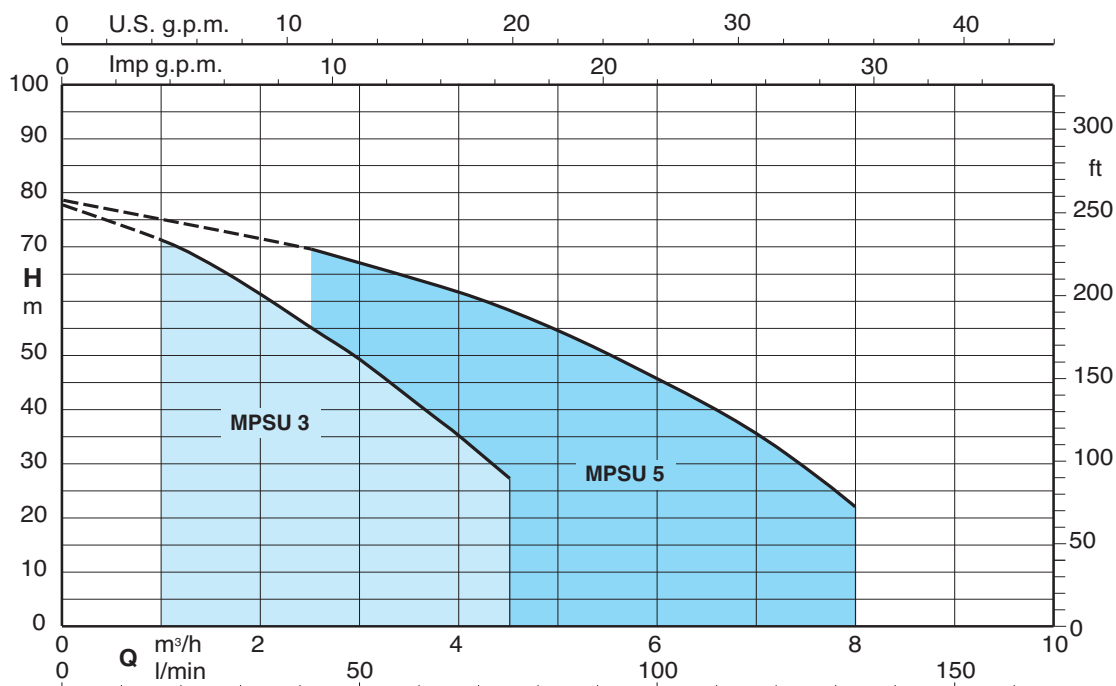
- Cable length 15 m.

- Motor suitable operation with frequency converter.

### Materials

Component	Material
Delivery casing External jacket Base Motor jacket	Chrome-nickel steel 1.4301 EN 10088 (AISI 304)
Stage casing Impeller	PPO-GF20 (Noryl)
Shaft	Chrome-nickel steel 1.4301 EN 10088 (AISI 304)
Capacitor cover Oil chamber cover Preload ring stages Support ring preload	PPS Polymer (Grivory)
Upper mechanical seal Lower mechanical seal	Steatite, carbon, NBR Carbon, silicon carbide, NBR
Seal lubrication oil	Oil for food machinery and pharmaceutical use

### Coverage chart $n \approx 2900$ rpm



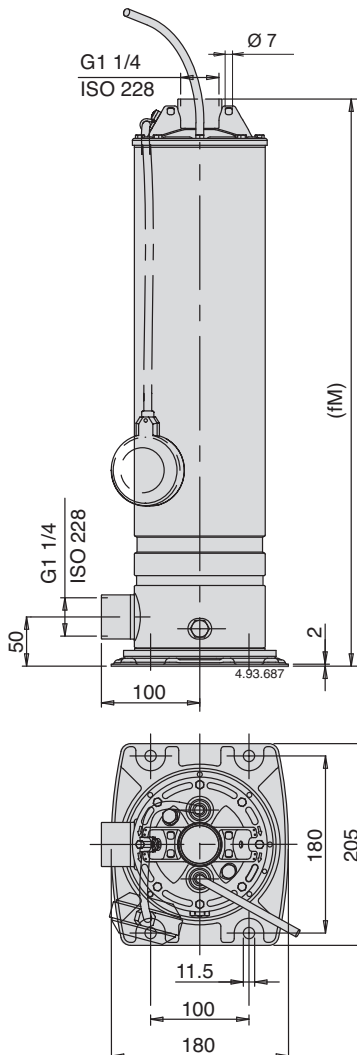
### Performance $n \approx 2900$ rpm

3~	230 V 400 V		1~	230 V		Capacitor		P <sub>1</sub>		P <sub>2</sub>		Q	H m								
	A	A		A	$\mu$ F	V	kW	kW	HP	m <sup>3</sup> /h	0		1	1,5	2	2,5	3	3,5	4	4,5	
MPSU 304	2,8	1,6	MPSUM 304	4,1	20	450	0,9	0,55	0,75	H m	0	16,6	25	33,3	41,6	50	58,3	66,6	75		
MPSU 305	3,3	1,9	MPSUM 305	5	20	450	1,1	0,75	1		44	41,5	39,5	36,5	33,5	29,5	25,5	21	16		
MPSU 306	3,8	2,2	MPSUM 306	6	25	450	1,3	0,9	1,2		54	49,5	46,2	43	30,9	35	30	25	19		
MPSU 307	4,5	2,6	MPSUM 307	6,6	25	450	1,5	0,9	1,2		66,5	60,5	57	53	48,5	43,5	38	32	26		
											75	67,5	63	58	53	47	41	34,5	27		

3~	230 V 400 V		1~	230 V		Capacitor		P <sub>1</sub>		P <sub>2</sub>		Q	H m								
	A	A		A	$\mu$ F	V	kW	kW	HP	m <sup>3</sup> /h	0		2,5	3	3,5	4	4,5	5	6	7	8
MPSU 504	3,8	2,2	MPSUM 504	6	25	450	1,2	0,9	1,2	H m	0	41,6	50	58,3	66,6	75	83,3	100	116	133	
MPSU 505	4,5	2,6	MPSUM 505	7	25	450	1,5	1,1	1,5		45	39,5	37,8	35,8	33,5	31	28,5	23	16,5	9,5	
MPSU 506	4,8	2,8	MPSUM 506	8,3	30	450	1,7	1,1	1,5		53	47,5	45,5	43,5	41	38,5	35,5	29,5	22	13,5	
MPSU 507	6,9	4	MPSUM 507	12	35	450	2,2	1,5	2		66,5	58	55,6	53	50	46,3	42,5	34	24,5	14	
											78,5	69,5	66,5	64	61,5	58	54,5	45,5	36	22	

P1 Max. power input. P2 Rated motor power output. Tolerances according to UNI EN ISO 9906:2012 Test results with clean cold water, without gas content.

### Dimensions and weights



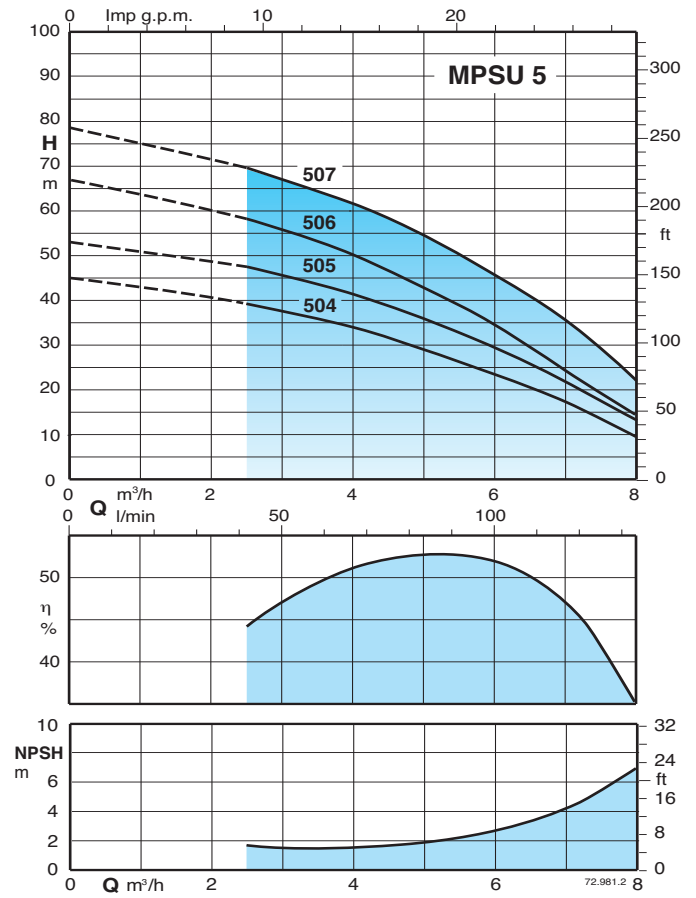
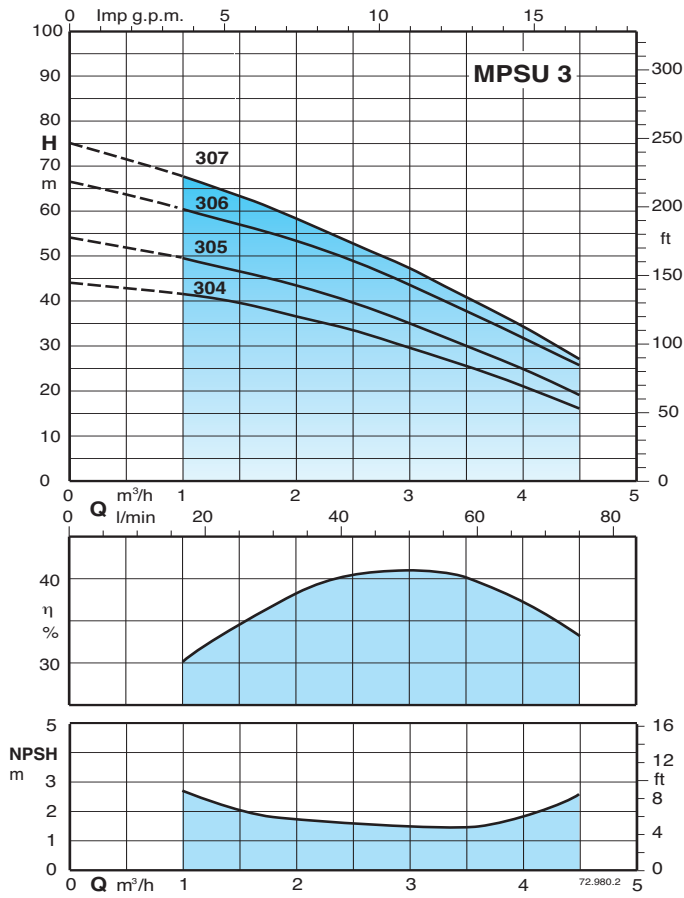
### Weights with cable length: 5 m

PUMP	fM mm	kg		Cavo H07RN8-F		
		MPSU	MPSUM	230V 1~	230V 3~	400V 3~
MPSU 304 - MPSUM 304	553	11,4	12,4	3G1 mm <sup>2</sup>	4G1 mm <sup>2</sup>	4G1 mm <sup>2</sup>
MPSU 305 - MPSUM 305	602	12,7	13,7	3G1 mm <sup>2</sup>	4G1 mm <sup>2</sup>	4G1 mm <sup>2</sup>
MPSU 306 - MPSUM 306	626	13,3	14,8	3G1 mm <sup>2</sup>	4G1 mm <sup>2</sup>	4G1 mm <sup>2</sup>
MPSU 307 - MPSUM 307	650	13,5	15	3G1 mm <sup>2</sup>	4G1 mm <sup>2</sup>	4G1 mm <sup>2</sup>
MPSU 504 - MPSUM 504	578	13,1	14,1	3G1 mm <sup>2</sup>	4G1 mm <sup>2</sup>	4G1 mm <sup>2</sup>
MPSU 505 - MPSUM 505	602	14	15	3G1 mm <sup>2</sup>	4G1 mm <sup>2</sup>	4G1 mm <sup>2</sup>
MPSU 506 - MPSUM 506	671	15,5	17	3G1,5 mm <sup>2</sup>	4G1 mm <sup>2</sup>	4G1 mm <sup>2</sup>
MPSU 507 - MPSUM 507	720	17	18,5	3G2,5 mm <sup>2</sup>	4G1 mm <sup>2</sup>	4G1 mm <sup>2</sup>

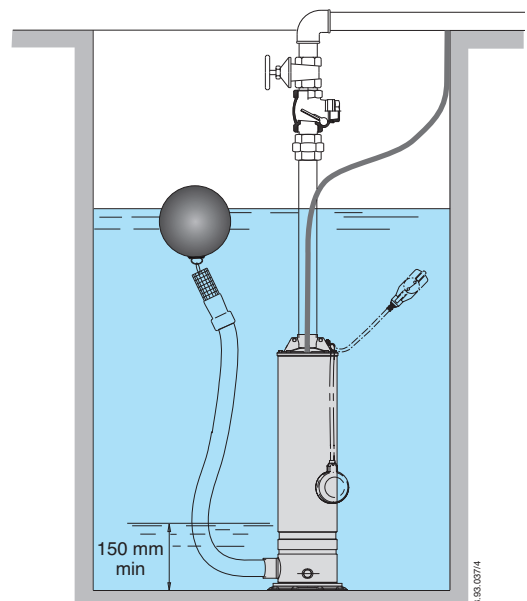
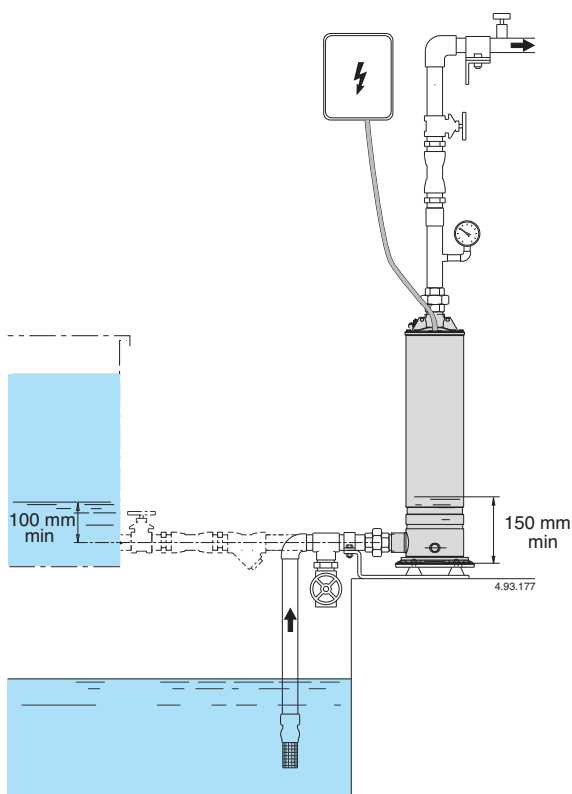
MPSUM ... CG With float switch pump (on demand)



## Characteristic curves $n \approx 2900$ rpm



## Installation examples



### Features

#### Innovative

Designed to withstand water hammering and the ON-OFF operation of any valve located in the discharge line.

The impacts generated by water hammering or by the closing of the valve are fully supported by the capacitor cover, which relieves the stresses on a specific support made on the stainless steel jacket, without affecting the plastic hydraulic part.

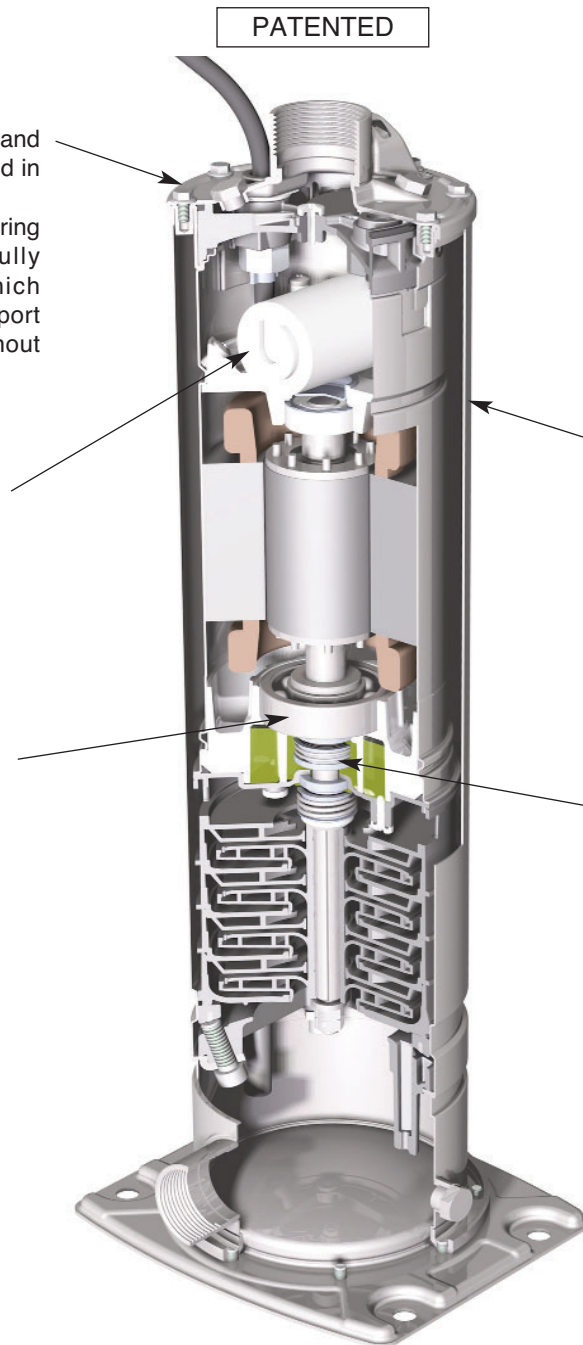
#### Flexible

Allows the inspection of the capacitor without disassembling the pump, through the delivery casing.

#### Reliable

The ball bearings and shaft are sized in order to reduce stresses, guaranteeing high reliability in any operating condition.

PATENTED



#### Low-Noise operation

The design of hydraulic parts, the water-filled shroud around the motor and the submerged operation ensures low noise operation.

#### Greater Safety

The double shaft sealing with an oil chamber separates the motor from the water and provides further protection against accidental operation when dry.

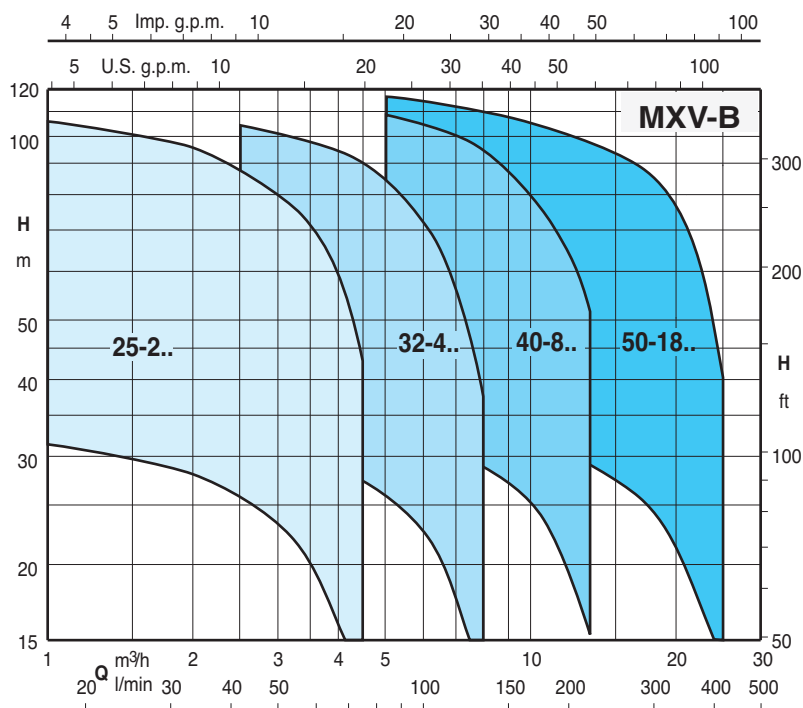
# MXV-B

## Vertical Multi-Stage Close Coupled Pumps



The electropumps MXV-B 25,32,40.. series comply with the European Regulation no. 547/2012 (MXV-B 50 series cannot be sold in the EU).

### Coverage chart $n \approx 2900$ rpm



### Construction

Vertical multi-stage close coupled pumps with suction and delivery connections of the same diameter and arranged along the same axis (in-line).

All parts that come into contact with the liquid, including wet-end covers, are in chrome-nickel stainless steel with corrosion-resistant bearing sleeves lubricated by the pumped liquid.

Version with frequency converter (on request)

### Applications

For water supply systems.

For clean non-explosive liquids, without solid, filamentary or abrasive matter and non-aggressive for stainless steel (with adaptation of sealing materials on request).

A universal pump for civil and industrial use, for pressure-boosting systems, high-pressure washing plants, irrigation, agricultural uses and sport installations.

### Operating conditions

Temperature of liquid: from -15 °C to +90 °C.

Operating environment temperature: up to 40 °C.

Maximum permissible pressure in pump casing: 16 bar.

### Motor

2-pole induction motor, 50 Hz ( $n \approx 2900$  rpm).

**MXV-B:** three-phase 230/400 V  $\pm 10\%$  up to 3 kW;

400/690 V  $\pm 10\%$  from 3,7 to 7,5 kW.

**MXV-BM:** single-phase 230 V  $\pm 10\%$ , with thermal protector.

Capacitor inside the terminal box.

Insulation class F. Protection IP 54.

Motor suitable for operation with frequency converter from 1,1 kW.

**Classification scheme IE3 for three-phase motors from 0,75 kW.**

Constructed in accordance with: EN 60034-1, EN 60034-30-1.

EN 60335-1, EN 60335-2-41.

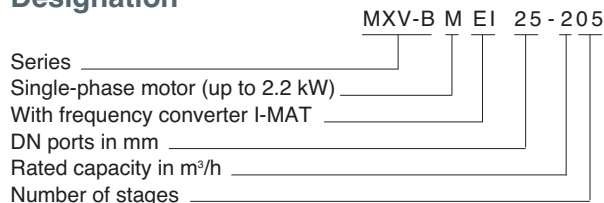
### Materials (wetted parts)

Component	Material
External jacket	Chrome-nickel steel 1.4301 EN 10088 (AISI 304)
Suction casing	
Delivery casing	
Stage casing	
Impeller	
Lower cover	
Upper cover	
Spacer sleeve	Chrome-nickel steel 1.4305 EN 10088 (AISI 303)
Pump shaft	
Plug	Ceramic alumina/Carbon/EPDM
Mechanical seal ISO 3069 - KU	
Wear ring	PTFE
O-ring	NBR

### Special features on request

- Other voltages.
- Frequency 60 Hz.
- Protection IP 55.
- Special mechanical seal
- Pump casing seal rings in FPM.
- Higher or lower liquid or ambient temperatures.
- Flanges to screw, in chrome-nickel steel.
- Motor suitable for operation with frequency converter up to 0,75 kW.

### Designation



### Pumps with frequency converter

The **MXV-B EI** pumps are available with power from 0,75 kW up to 7,5 kW, the pumps are equipped with **I-MAT** installed on board which allows to realize a variable-speed system extremely compact and efficient, ideal in applications of water supply and in the distribution of hot and cold water. The pump is equipped with transducers suitable for operation and is already programmed at the factory.

#### Advantages

- Energy saving
- Compact design
- Easy to use
- Programmable to suit the system requirements
- Reliability

#### Costruction

The system comprises of:

- Pump
- Induction motor
- I-MAT Frequency converter
- Motor adapter for the motor mounting of the frequency converter
- Connection cable between frequency converter and induction motor
- Transducers

#### Main features

- Rated motor power output from 0,75 kW to 7,5 kW
- Control range from 1750 to 2900 rpm (2-pole)
- Protection against dry running
- Protection against operations with closed connection ports
- Protection against system leakages
- Protection against overcurrent in the motor
- Protection against overvoltage and undervoltage of the power supply
- Protection against current unbalances between phases

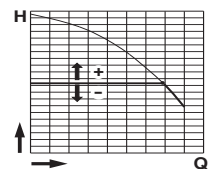


### Operating modes



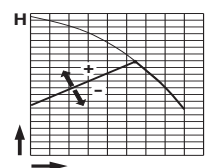
#### Constant pressure mode with pressure transducer

In this mode, the system maintains the preset pressure when the flow required by the installation changes.



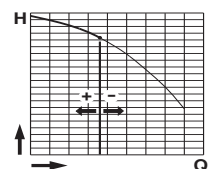
#### Proportional pressure mode with pressure transducer

In this mode the system changes the working pressure according to the required flow rate.



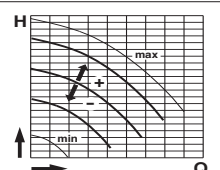
#### Constant flow mode with flow meter

In this mode the system maintains a constant flow rate value in a point of the installation according to the required pressure.



#### Fixed speed mode with setting of the speed preferential rotation.

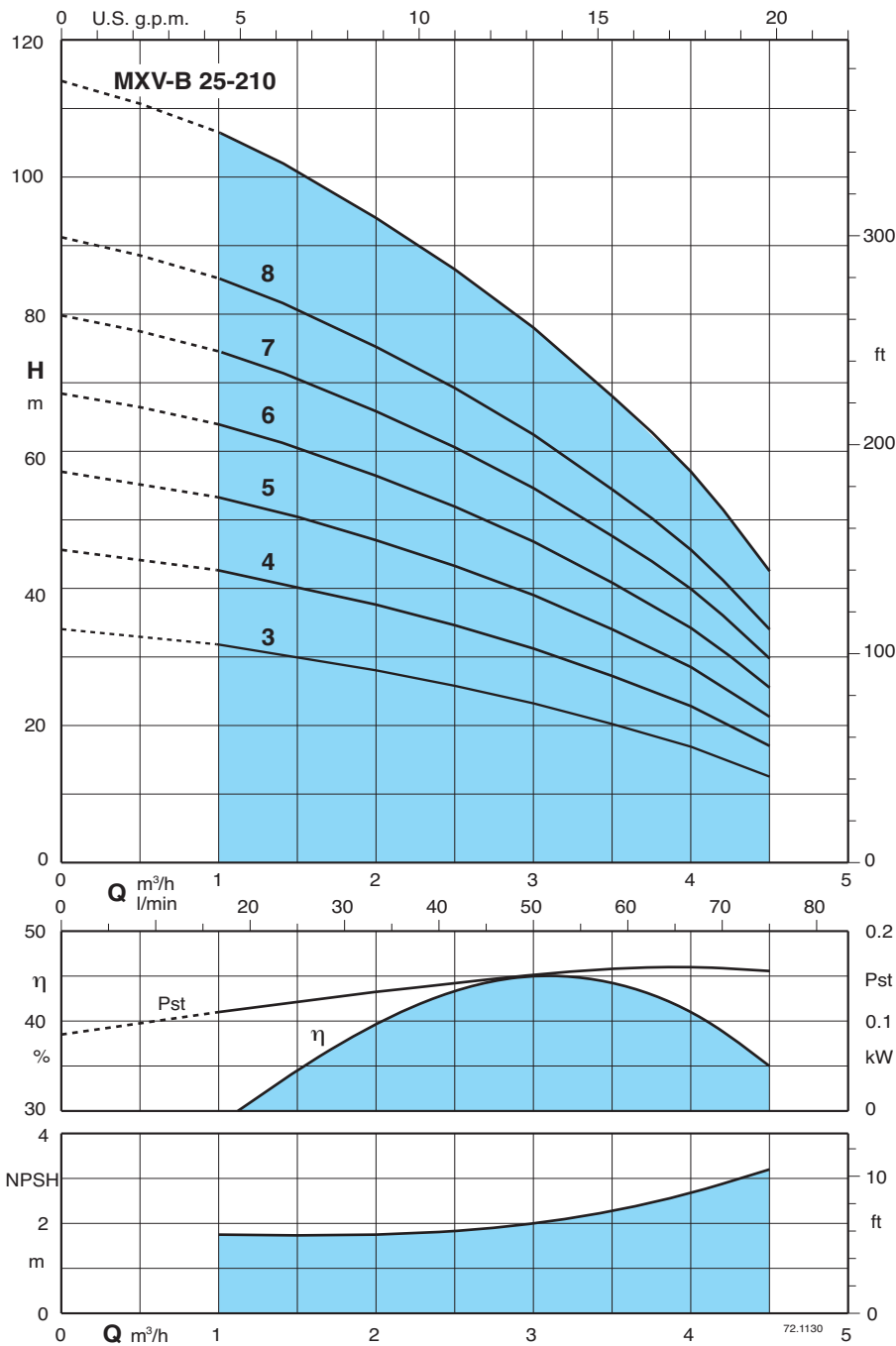
In this mode, by changing the working frequency, you may choose any operational curve included within the working range.



#### Constant temperature mode with temperature transducer

In this mode the system keeps the temperature constant inside a system by changing the speed of the pump.

### Characteristic curves and performance $n \approx 2900$ rpm



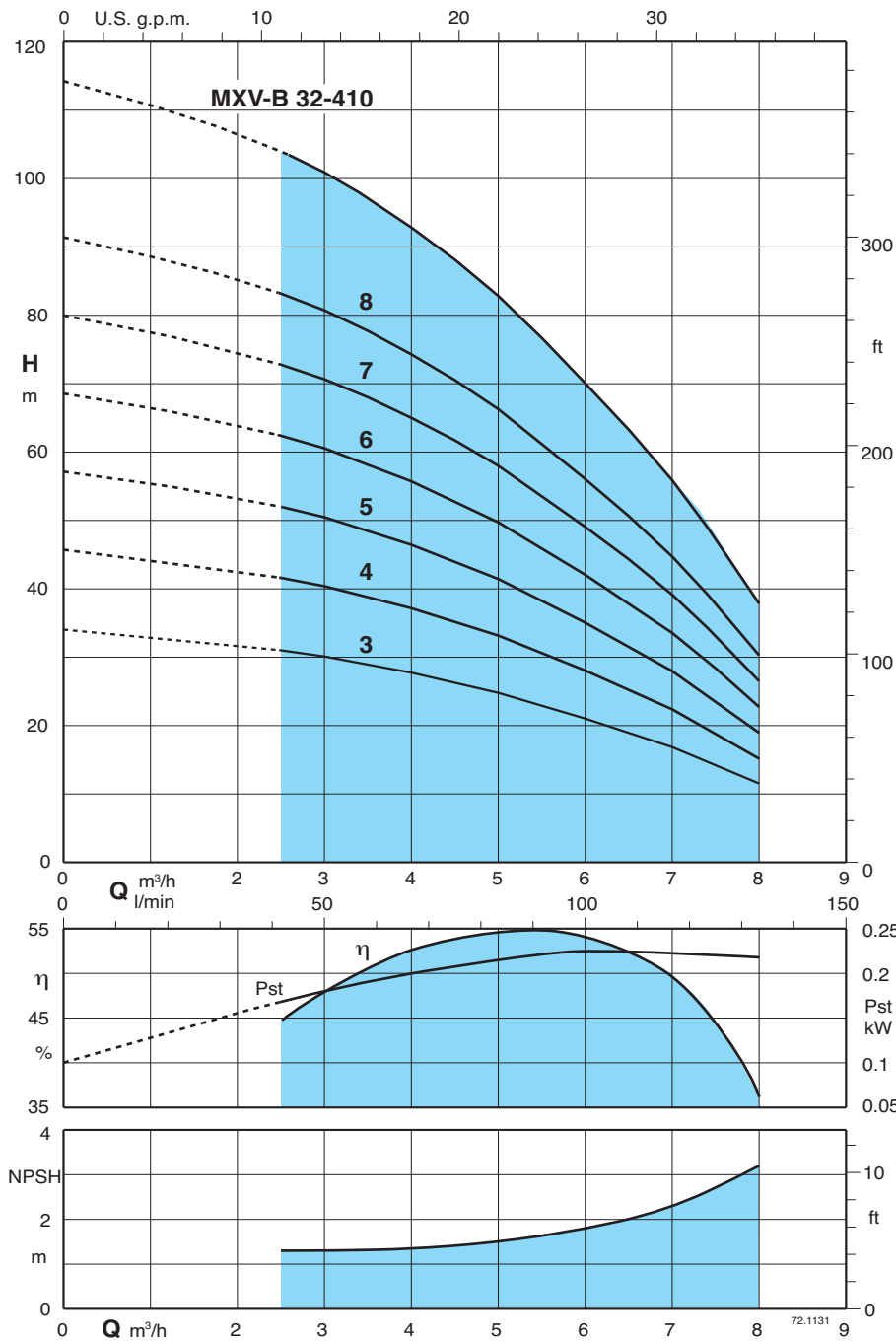
Test results with clean cold water, without gas content.  
 A safety margin of + 0.5 m is recommended for the NPSH value.  
 Tolerances in accordance with UNI EN ISO 9906:2012

Head and power values valid for liquids with density  $\rho = 1,0 \text{ kg/dm}^3$  and kinematic viscosity  $\nu = \text{max } 20 \text{ mm}^2/\text{sec}$ .

Pst = Power with reference to one stage.  
 P1 Max. power input.  
 P2 Rated motor power output.

3 ~	230 V 400 V		1 ~	230 V P1		P2		m³/h Q l/min	H									
	A	A		A	kW	kW	HP		0	1	1,5	2	2,5	3	3,5	4	4,5	
MXV-B 25-203	4	2,3	MXV-BM 25-203	5,8	1,1	0,75	1	0	0	16,6	25	33,3	41,6	50	58,3	66,6	75	
MXV-B 25-204	4	2,3	MXV-BM 25-204	5,8	1,1	0,75	1	34	32	30	28	26	23,5	20,5	17	12,5		
MXV-B 25-205	4	2,3	MXV-BM 25-205	5,8	1,1	0,75	1	44	42,5	40	37,5	34,5	31	27	22,5	17		
MXV-B 25-206/A	4,7	2,7	MXV-BM 25-206	7,4	1,5	1,1	1,5	56	53	50	47	43	39	34	28	21		
MXV-B 25-207/A	4,7	2,7	MXV-BM 25-207	7,4	1,6	1,1	1,5	68	63,5	60,5	56	51,5	46,5	40,5	34	25		
MXV-B 25-208/A	7,5	4,3	MXV-BM 25-208	9,2	2	1,5	2	79,5	74	70,5	65,5	60	54,5	47,5	39,5	30		
MXV-B 25-210/A	7,5	4,3	MXV-BM 25-210	9,2	2,3	1,5	2	91	85	80,5	75	69	62	54	45,5	34		
								114	106	101	94	86	78	68	57	42		

### Characteristic curves and performance $n \approx 2900$ rpm



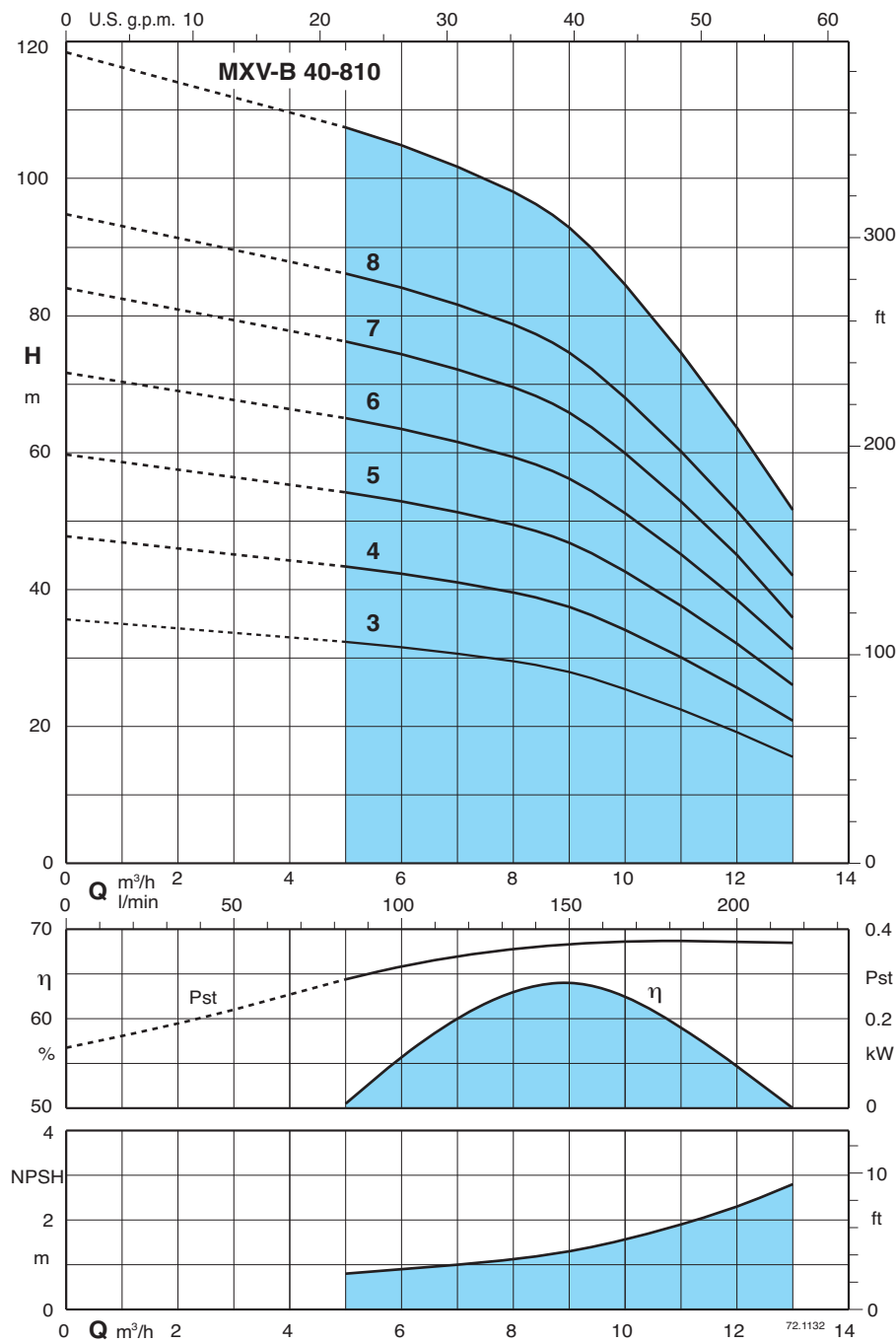
Test results with clean cold water, without gas content.  
 A safety margin of + 0.5 m is recommended for the NPSH value.  
 Tolerances in accordance with UNI EN ISO 9906:2012

Head and power values valid for liquids with density  $\rho = 1,0 \text{ kg/dm}^3$  and kinematic viscosity  $\nu = \text{max } 20 \text{ mm}^2/\text{sec}$ .

Pst = Power with reference to one stage.  
 P1 Max. power input.  
 P2 Rated motor power output.

3 ~	230 V 400 V		1 ~	230 V P1		P2		m³/h Q l/min										
	A	A		A	kW	kW	HP		0	2,5	3	3,5	4	4,5	5	6	7	8
MXV-B 32-403	4	2,3	MXV-BM 32-403	5,8	1,1	0,75	1	0	41,6	50	58,3	66,6	75	83,3	100	116,6	133,3	
MXV-B 32-404/A	4,7	2,7	MXV-BM 32-404	7,4	1,5	1,1	1,5	34	31	30,5	29	28	26,5	25	21	17	11,5	
MXV-B 32-405/A	4,7	2,7	MXV-BM 32-405	7,4	1,6	1,1	1,5	45	41,5	40	38,5	36,5	34,5	32,5	27,5	22	14,5	
MXV-B 32-406/A	7,5	4,3	MXV-BM 32-406	9,2	2	1,5	2	56	51,5	50	48	46	43,5	41	34,5	27,5	18,5	
MXV-B 32-407/A	7,5	4,3	MXV-BM 32-407	9,2	2,3	1,5	2	68	62	60	58	55,5	52,5	49,5	42	33,5	22,5	
MXV-B 32-408/B	9,15	5,3				2,2	3	79,5	72,5	70,5	68	65	61,5	58	49	39	26,5	
MXV-B 32-410/B	9,15	5,3				2,2	3	91	83	80,5	78	74	70	66	56	44,5	30	
								114	104	101	97,5	93	88	83	70	56	38	

#### Characteristic curves and performance $n \approx 2900$ rpm



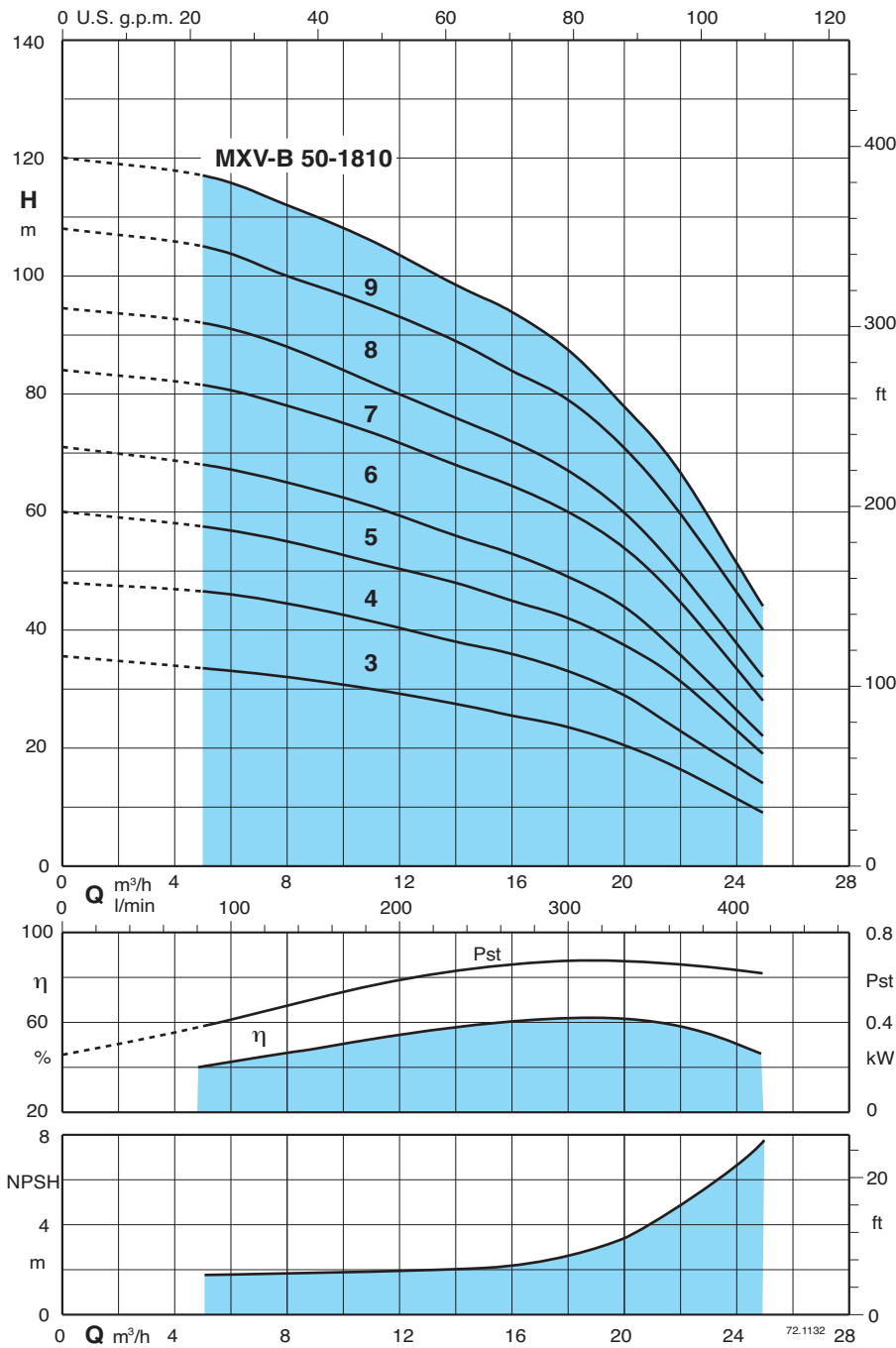
Test results with clean cold water, without gas content.  
 A safety margin of + 0.5 m is recommended for the NPSH value.  
 Tolerances in accordance with UNI EN ISO 9906:2012

Head and power values valid for liquids with density  $\rho = 1,0 \text{ kg/dm}^3$  and kinematic viscosity  $\nu = \text{max } 20 \text{ mm}^2/\text{sec}$ .

Pst = Power with reference to one stage.  
 P1 Max. power input.  
 P2 Rated motor power output.

3 ~	230 V 400 V		1 ~	230 V P1		P2		m³/h Q l/min	H m												
	A	A		A	kW	kW	HP		0	5	6	7	8	9	10	11	12	13			
MXV-B 40-803/A	4,7	2,7	MXV-BM 40-803	7,4	1,6	1,1	1,5	0	83,3	100	116,6	133,3	150	166,6	183,3	200	216,6				
MXV-B 40-804/A	7,5	4,3	MXV-BM 40-804	9,2	2,3	1,5	2	35,5	32,5	31,5	31	29,5	28	25,5	22,5	19,5	15,5				
MXV-B 40-805/B	9,15	5,3				2,2	3	47	43	42	41	40	37	34	30	26	21				
MXV-B 40-806/B	9,15	5,3				2,2	3	59	54	53	51	50	47	43	38	32	26				
MXV-B 40-807/A	11,5	6,6				3	4	71	65	63	62	59	56	51	45	39	31				
MXV-B 40-808/A	11,5	6,6				3	4	83	76	74	72	69	66	60	53	45	36				
MXV-B 40-810/B		9,6				3,7	5	95	87	85	82	79	75	69	60	51	42				
								119	109	106	103	99	94	86	75	64	52				

### Characteristic curves and performance $n \approx 2900$ rpm



Test results with clean cold water, without gas content.  
 A safety margin of + 0.5 m is recommended for the NPSH value.  
 Tolerances in accordance with UNI EN ISO 9906:2012

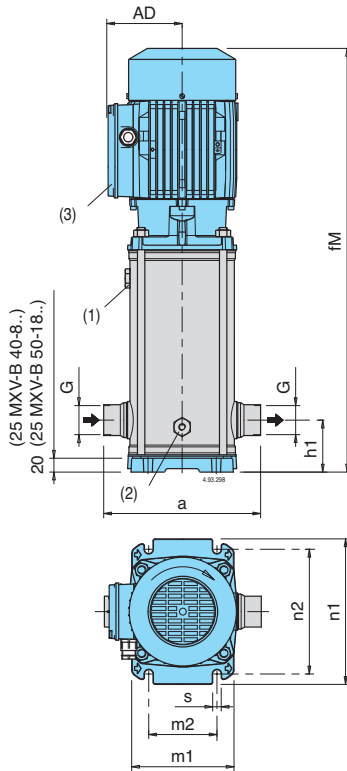
Head and power values valid for liquids with density  $\rho = 1,0 \text{ kg/dm}^3$  and kinematic viscosity  $\nu = \text{max } 20 \text{ mm}^2/\text{sec}$ .

Pst = Power with reference to one stage.  
 P1 Max. power input.  
 P2 Rated motor power output.

3 ~	230 V 400 V		P <sub>2</sub>		m <sup>3</sup> /h Q l/min	H m									
	A	A	kW	HP		0	5	8	11	14	16	18	20	22	25
MXV-B 50-1803/B	9,15	5,3	2,2	3	0	0	83,3	133,3	183,3	233	266	300	333	366	416
MXV-B 50-1804/A	11,5	6,6	3	4	35,5	33,5	32	30	27,5	25,5	23,5	20,5	16,5	9	
MXV-B 50-1805/B		9,6	3,7	5	48	46,5	44,5	41,5	38	36	33	29	23	14	
MXV-B 50-1806/B		9,6	4	5,5	60	57,5	55	51,5	48	45	42	37,5	31,5	19	
MXV-B 50-1807/A		10,9	5,5	7,5	71	68	65	61	56	53	49	44	36	22	
MXV-B 50-1808/A		10,9	5,5	7,5	84	81,5	78	73,5	68	64,5	60	54	45	28	
MXV-B 50-1809/A		14,3	7,5	10	94,5	92	88	82	76	72	68	60	50	32	
MXV-B 50-1810/A		14,3	7,5	10	108	105	100	95	89	84	79	71	60	40	
					120	117	112	106	98	94	88	78	67	44	

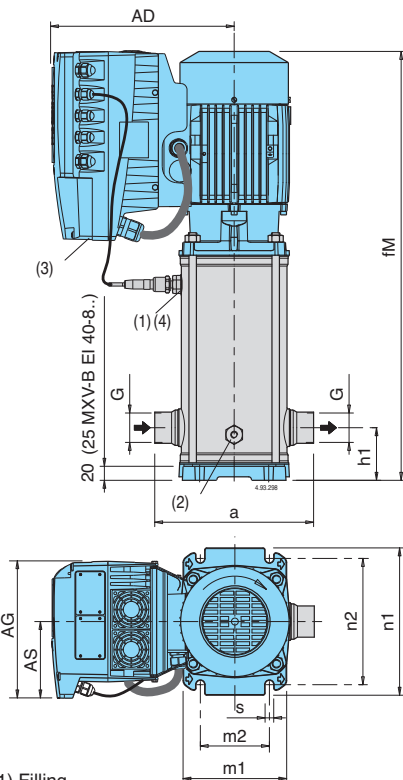


### Dimensions and weights



- (1) Filling
- (2) Draining
- (3) Standard position of terminal box  
(for other positions rotate motor through 90° or 180°)

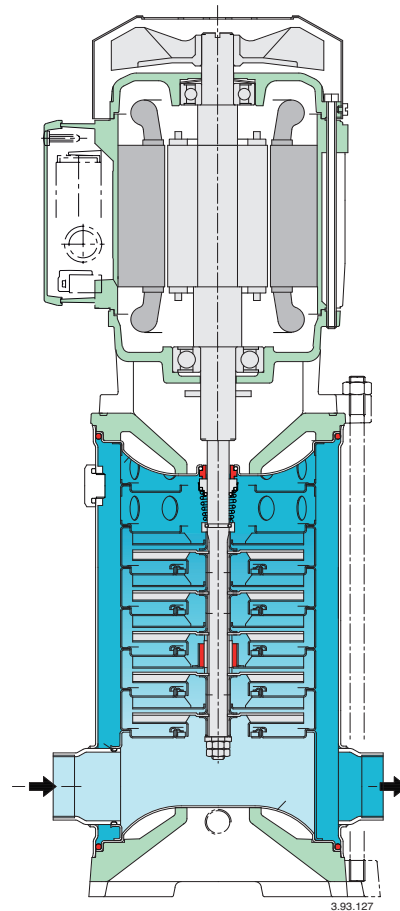
Pump	Motor P <sub>2</sub>		ISO 228		mm								Net weight	
	kW	HP	G	a	h1	fM	AD	n1	n2	m1	m2	s	MXV-B kg	MXV-BM kg
MXV-B(M) 25-203	0,75	1	G 1	215	75	564	128	210	180	150	100	12,5	23	24
MXV-B(M) 25-204	0,75	1	G 1	215	75	565	128	210	180	150	100	12,5	23,5	24,5
MXV-B(M) 25-205	0,75	1	G 1	215	75	588	128	210	180	150	100	12,5	24,5	25,5
MXV-B(M) 25-206/A	1,1	1,5	G 1	215	75	612	128	210	180	150	100	12,5	26	27
MXV-B(M) 25-207/A	1,1	1,5	G 1	215	75	636	128	210	180	150	100	12,5	27	28
MXV-B(M) 25-208/A	1,5	2	G 1	215	75	660	128	210	180	150	100	12,5	30	31
MXV-B(M) 25-210/A	1,5	2	G 1	215	75	708	128	210	180	150	100	12,5	31	32
MXV-B(M) 32-403	0,75	1	G 1 1/4	215	75	564	128	210	180	150	100	12,5	24	25
MXV-B(M) 32-404/A	1,1	1,5	G 1 1/4	215	75	565	128	210	180	150	100	12,5	25	26
MXV-B(M) 32-405/A	1,1	1,5	G 1 1/4	215	75	588	128	210	180	150	100	12,5	26	27
MXV-B(M) 32-406/A	1,5	2	G 1 1/4	215	75	612	128	210	180	150	100	12,5	28	29
MXV-B(M) 32-407/A	1,5	2	G 1 1/4	215	75	636	128	210	180	150	100	12,5	29	30
MXV-B 32-408/B	2,2	3	G 1 1/4	215	75	700	128	210	180	150	100	12,5	34	-
MXV-B 32-410/B	2,2	3	G 1 1/4	215	75	748	128	210	180	150	100	12,5	35	-
MXV-B(M) 40-803/A	1,1	1,5	G 1 1/2	225	80	593	128	246	215	190	130	14	27	28
MXV-B(M) 40-804/A	1,5	2	G 1 1/2	225	80	593	128	246	215	190	130	14	28	29
MXV-B 40-805/B	2,2	3	G 1 1/2	225	80	663	128	246	215	190	130	14	33	-
MXV-B 40-806/B	2,2	3	G 1 1/2	225	80	693	128	246	215	190	130	14	34	-
MXV-B 40-807/A	3	4	G 1 1/2	225	80	746	138	246	215	190	130	14	45	-
MXV-B 40-808/A	3	4	G 1 1/2	225	80	776	138	246	215	190	130	14	49	-
MXV-B 40-810/B	3,7	5	G 1 1/2	225	80	953	138	246	215	190	130	14	49	-
MXV-B 50-1803/B	2,2	3	G 2	250	90	635	128	246	215	190	130	14	34	-
MXV-B 50-1804/A	3	4	G 2	250	90	701	138	246	215	190	130	14	44	-
MXV-B 50-1805/B	3,7	5	G 2	250	90	738	138	246	215	190	130	14	46,5	-
MXV-B 50-1806/B	4	5,5	G 2	250	90	776	138	246	215	190	130	14	47,5	-
MXV-B 50-1807/A	5,5	7,5	G 2	250	90	841	160	246	215	190	130	14	59	-
MXV-B 50-1808/A	5,5	7,5	G 2	250	90	878	160	246	215	190	130	14	60	-
MXV-B 50-1809/A	7,5	10	G 2	250	90	916	160	246	215	190	130	14	67	-
MXV-B 50-1810/A	7,5	10	G 2	250	90	953	160	246	215	190	130	14	68	-



- (1) Filling
- (2) Draining
- (3) Standard position of I-MAT  
(for other positions rotate motor through 90° or 180°)
- (4) Pressure transducer

Pump	Motor P <sub>2</sub>		ISO 228		mm										Net weight
	kW	HP	G	a	h1	fM	AD	AG	AS	n1	n2	m1	m2	s	kg
MXV-B EI 25-203	0,75	1	G 1	215	75	564	286	190	105	210	180	150	100	12,5	29,4
MXV-B EI 25-204	0,75	1	G 1	215	75	565	286	190	105	210	180	150	100	12,5	29,9
MXV-B EI 25-205	0,75	1	G 1	215	75	588	286	190	105	210	180	150	100	12,5	30,9
MXV-B EI 25-206/A	1,1	1,5	G 1	215	75	612	286	190	105	210	180	150	100	12,5	32,4
MXV-B EI 25-207/A	1,1	1,5	G 1	215	75	636	286	190	105	210	180	150	100	12,5	33,4
MXV-B EI 25-208/A	1,5	2	G 1	215	75	660	286	190	105	210	180	150	100	12,5	36,4
MXV-B EI 25-210/A	1,5	2	G 1	215	75	708	286	190	105	210	180	150	100	12,5	37,4
MXV-B EI 32-403	0,75	1	G 1 1/4	215	75	564	286	190	105	210	180	150	100	12,5	30,4
MXV-B EI 32-404/A	1,1	1,5	G 1 1/4	215	75	565	286	190	105	210	180	150	100	12,5	31,4
MXV-B EI 32-405/A	1,1	1,5	G 1 1/4	215	75	588	286	190	105	210	180	150	100	12,5	32,4
MXV-B EI 32-406/A	1,5	2	G 1 1/4	215	75	612	286	190	105	210	180	150	100	12,5	34,4
MXV-B EI 32-407/A	1,5	2	G 1 1/4	215	75	636	286	190	105	210	180	150	100	12,5	35,4
MXV-B EI 32-408/B	2,2	3	G 1 1/4	215	75	700	286	210	118	210	180	150	100	12,5	41,5
MXV-B EI 32-410/B	2,2	3	G 1 1/4	215	75	748	286	210	118	210	180	150	100	12,5	42,5
MXV-B EI 40-803/A	1,1	1,5	G 1 1/2	225	80	593	286	190	105	246	215	190	130	14	33,4
MXV-B EI 40-804/A	1,5	2	G 1 1/2	225	80	593	286	190	105	246	215	190	130	14	34,4
MXV-B EI 40-805/B	2,2	3	G 1 1/2	225	80	663	286	190	105	246	215	190	130	14	40,5
MXV-B EI 40-806/B	2,2	3	G 1 1/2	225	80	693	286	190	105	246	215	190	130	14	41,5
MXV-B EI 40-807/A	3	4	G 1 1/2	225	80	746	294	210	118	246	215	190	130	14	52,5
MXV-B EI 40-808/A	3	4	G 1 1/2	225	80	776	294	210	118	246	215	190	130	14	56,5
MXV-B EI 40-810/B	3,7	5	G 1 1/2	225	80	953	294	210	118	246	215	190	130	14	56,5
MXV-B EI 50-1803/B	2,2	3	G 2	250	90	635	286	210	118	246	215	190	130	14	41,5
MXV-B EI 50-1804/A	3	4	G 2	250	90	701	294	210	118	246	215	190	130	14	51,5
MXV-B EI 50-1805/B	3,7	5	G 2	250	90	738	294	210	118	246	215	190	130	14	54,0
MXV-B EI 50-1806/B	4	5,5	G 2	250	90	776	294	210	118	246	215	190	130	14	55,0
MXV-B EI 50-1807/A	5,5	7,5	G 2	250	90	841	368	281	153	246	215	190	130	14	73,8
MXV-B EI 50-1808/A	5,5	7,5	G 2	250	90	878	368	281	153	246	215	190	130	14	74,8
MXV-B EI 50-1809/A	7,5	10	G 2	250	90	916	368	281	153	246	215	190	130	14	81,8
MXV-B EI 50-1810/A	7,5	10	G 2	250	90	953	368	281	153	246	215	190	130	14	82,8

## Features



### Wider Range of Application

All parts that come into contact with the liquid, including wet-end covers, are in chrome-nickel stainless steel.

With corrosion-resistant seal rings and guide ring.

### Low Cost Installation

Vertical construction with reduced pump height for installation in small spaces.

In-line connections to simplify the piping layout with the possibility of inserting the pump in straight pipe-lines.

Disassembly, inspection or cleaning of internal parts without removal of piping.

### Robust and Reliable

The suction and discharge nozzles arranged in-line absorb the forces of the piping on the pump without the creation of distorting loads causing local friction and early wears.

The lantern brackets compact and robust design maintains a sure alignment between rotating and fixed parts, reducing vibration.

The upper cover design prevents entrapment of air around the mechanical seal.

### Low-Noise Operation

The water filled shroud around the stages and thick external walls, work together for low-noise operation.



The electropumps MXV series comply with the European Regulation no. 547/2012.

## MXV 25, 32, 40, 50

All parts that come into contact with the liquid, including wet-end covers, are in chrome-nickel stainless steel AISI 304.

### Materials (wetted parts)

Component	Material
Flange External jacket Suction casing Delivery casing Stage casing Impeller Lower cover Upper cover Spacer sleeve	Stainless Steel 1.4301 EN 10088 (AISI 304)
Pump shaft Plug	Stainless Steel 1.4305 EN 10088 (AISI 303) (for MXV 50 AISI 304)
Bearing sleeve Bearing in stage casing	Corrosion-resistant, cemented carbide Ceramic alumina
Mechanical seal ISO 3069 - KU	Hard metal/Carbon/EPDM.
Wear ring	PPS (PTFE for MXV 40)
O-rings	NBR (EPDM for MXV 50)

**Direction of rotation:** **clockwise** as seen from the motor.

### Variants (to be specified when ordering)

- Pump with flanged ports (F).
- Pump with oval flange ports (O) (for MXV 25,32,40,50).
- Pump without motor.
- Pump with standard motor.

### Other variants (on request)

- With counter-flanges in chrome-nickel steel.
- O-rings FPM. Other mechanical seal.
- Pump with motor of Client's choice (if available).
- Single-phase motor 230 V, up to 2.2 kW.
- Other voltage ratings.
- Frequency 60 Hz.

### Construction

Vertical multi-stage pumps with suction and delivery connections of the same diameter and arranged along the same axis (in-line). Corrosion-resistant bearing sleeves lubricated by the pumped liquid. Removal of the mechanical seal without dismantling the motor (for MXV 25-32-40-50,100 with motors exceeding 4 KW). A pump with thrust bearing and sleeve coupling for use of any standard motor with IM V1 construction.

**Version with frequency converter** (on request)

### Applications

For water supply systems.  
For clean non-explosive liquids, without solid, filamentary or abrasive matter (with adaptation of sealing materials on request).  
A universal pump for civil and industrial use, for pressure-boosting systems, high-pressure washing plants, irrigation, agricultural uses and sport installations.

### Operating conditions

Temperature of liquid: from -15 °C to +110 °C (up to +120 °C for MXV 50).

Operating environment temperature: up to 40 °C.

Maximum permissible pressure in pump casing: 25 bar.  
(16 bar for pumps with oval flanges).

Continuous duty.

### Motor

Standard-type: 2-pole induction motor, 50 Hz ( $n \approx 2900$  rpm).  
Construction IM V1 (EN 60034-7).

Motor suitable for operation with frequency converter.

**Classification scheme IE3 for three-phase motors.**

Insulation class F. Protection IP 55.

three-phase with rated voltage: up to 3 kW 230/400 V;  
from 4 kW 400/690 V.

## MXV 65, 80, 100

Internal parts in contact with the liquid in chrome-nickel stainless steel, AISI 304 with pump casing and upper cover in cast iron.

### Materials (wetted parts)

Component	Material
Pump casing Upper cover	Cast iron GJL 250 EN 1561
External jacket Stage casing Impeller Spacer sleeve	Stainless Steel 1.4301 EN 10088 (AISI 304)
Pump shaft Plug	Stainless Steel (AISI 303)(AISI 431 for MXV 100) Stainless Steel (AISI 303)(AISI 304 for MXV 100)
Bearing sleeve Bearing in stage casing	Corrosion-resistant, cemented carbide Ceramic alumina (Corrosion-resistant, cemented carbide for MXV 100)
Mechanical seal ISO 3069 - KU	Hard metal/Carbon/EPDM
Wear ring	PTFE
O-rings	NBR (EPDM for MXV 100)

**Direction of rotation:** **anticlockwise** as seen from the motor.  
(**clockwise** as seen from the motor for MXV 100)

### Variants (to be specified when ordering)

- Pump without motor.
- Pump with standard motor.

### Other variants (on request)

- O-rings FPM. Other mechanical seal.
- Pump with motor of Client's choice (if available).
- Other voltage ratings.
- Frequency 60 Hz.
- Pump with support feet for horizontal installation (H1 or H2).
- Support feet for horizontal installation, set.
- Welding counter-flanges, PN 25 (steel).

### Pumps with frequency converter

The **MXV EI** pumps are available with power from 0,75 kW up to 22 kW, the pumps are equipped with **I-MAT** installed on board which allows to realize a variable-speed system extremely compact and efficient, ideal in applications of water supply and in the distribution of hot and cold water. The pump is equipped with transducers suitable for operation and is already programmed at the factory.

#### Advantages

- Energy saving
- Compact design
- Easy to use
- Programmable to suit the system requirements
- Reliability

#### Costruction

The system comprises of:

- Pump
- Induction motor
- I-MAT Frequency converter
- Motor adapter for the motor mounting of the frequency converter
- Connection cable between frequency converter and induction motor
- Transducers

#### Main features

- Rated motor power output from 0,75 kW to 22 kW
- Control range from 1750 to 2900 rpm (2-pole)
- Protection against dry running
- Protection against operations with closed connection ports
- Protection against system leakages
- Protection against overcurrent in the motor
- Protection against overvoltage and undervoltage of the power supply
- Protection against current unbalances between phases

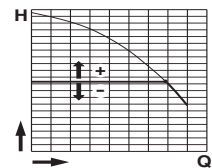


### Operating modes



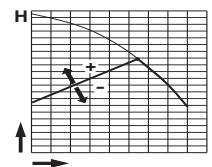
#### Mode at a constant pressure with pressure sensor

In this mode, the system maintains the preset pressure when the flow required by the installation changes.



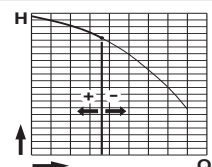
#### Proportional pressure mode with pressure sensor

In this mode the system changes the working pressure according to the required flow rate.



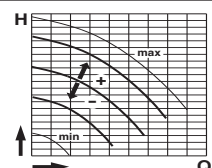
#### Constant flow mode with flow meter

In this mode the system maintains a constant flow rate value in a point of the installation according to the required pressure.



#### Fixed speed mode with setting of the speed preferential rotation.

In this mode, by changing the working frequency, you may choose any operational curve included within the working range.



#### Constant temperature mode with temperature transducer

In this mode the system keeps the temperature constant inside a system by changing the speed of the pump.

### Designation

MXV L EI 25-3 05 F H1 \*

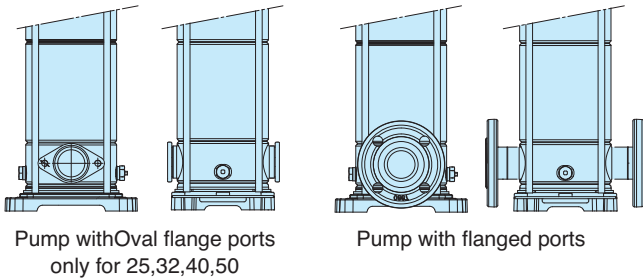
Series \_\_\_\_\_  
 AISI 316L version \_\_\_\_\_  
 (no code = AISI 304 version)  
 With frequency converter I-MAT \_\_\_\_\_  
 DN ports in mm \_\_\_\_\_  
 Rated capacity in m<sup>3</sup>/h (n ≈ 2900 rpm) \_\_\_\_\_  
 Number of stages \_\_\_\_\_

### Construction variants

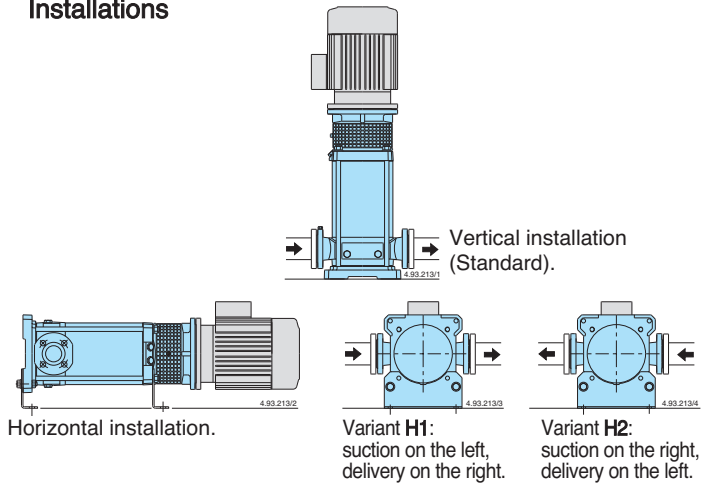
flanged ports \_\_\_\_\_ F  
 oval flange ports (only for MXV(L) 25,32,40,50) \_\_\_\_\_ O  
 with support feet for horizontal installation H, variant 1 \_\_\_\_\_  
 with motor (or without motor) \_\_\_\_\_

\* with no further designation = with standard motor

### Variants



### Installations



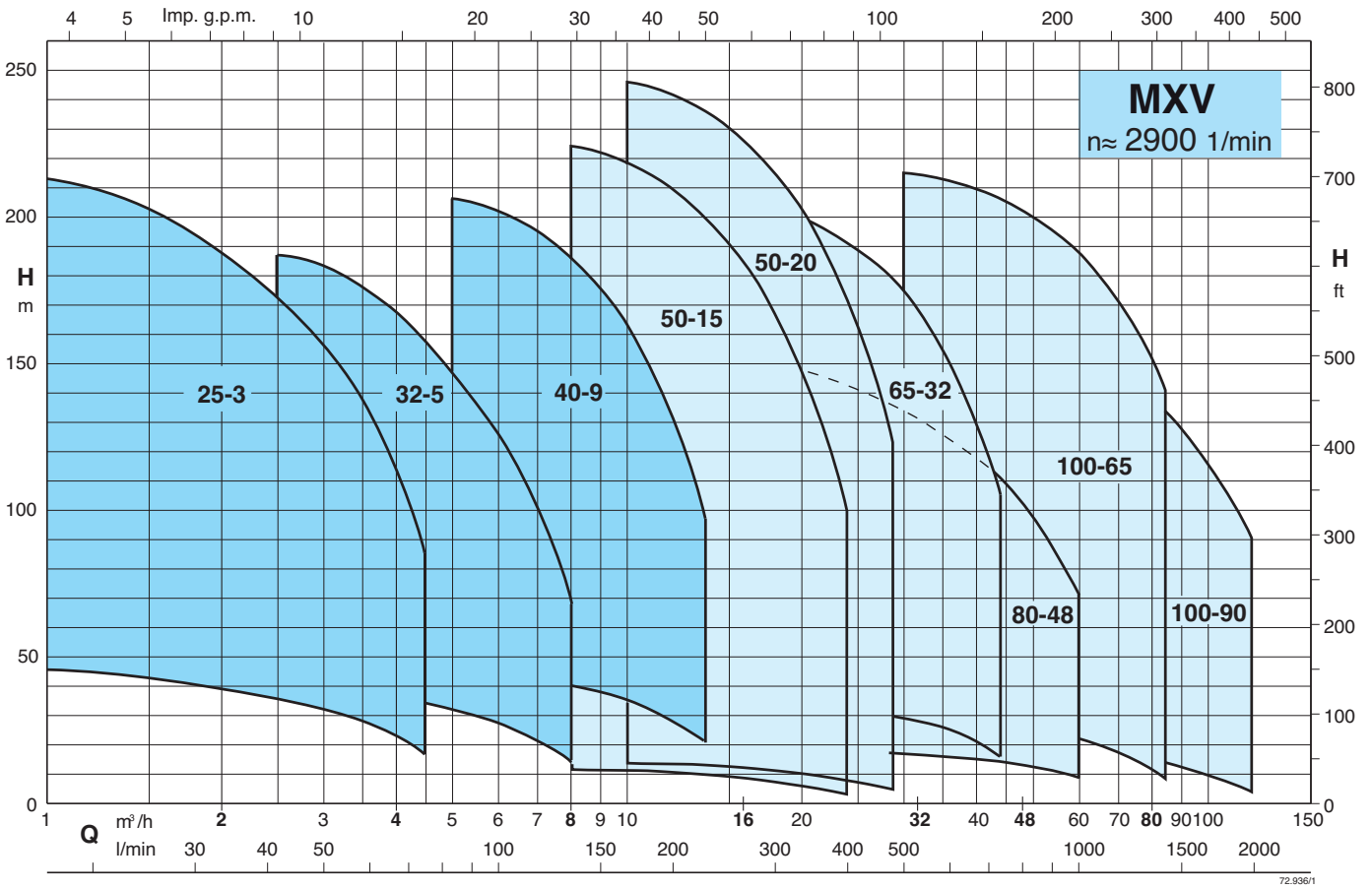
### Variable parts

Pump size MXV			Number of stages	Stage casings with bearing
25-304	32-504	40-904	4	1
25-305	32-505	40-905	5	1
25-306	32-506	40-906	6	1
25-307	32-507	40-907	7	1
25-308	32-508	40-908	8	1
25-310	32-510	40-910	10	1
25-312	32-512	40-911	11	2
		40-912	12	2
		40-913	13	2
25-314	32-514	40-914	14	2
		40-915	15	2
25-316	32-516	40-916	16	2
25-318	32-518	40-918	18	2
25-320		40-917	17	3
		40-919	19	3
		40-920	20	3

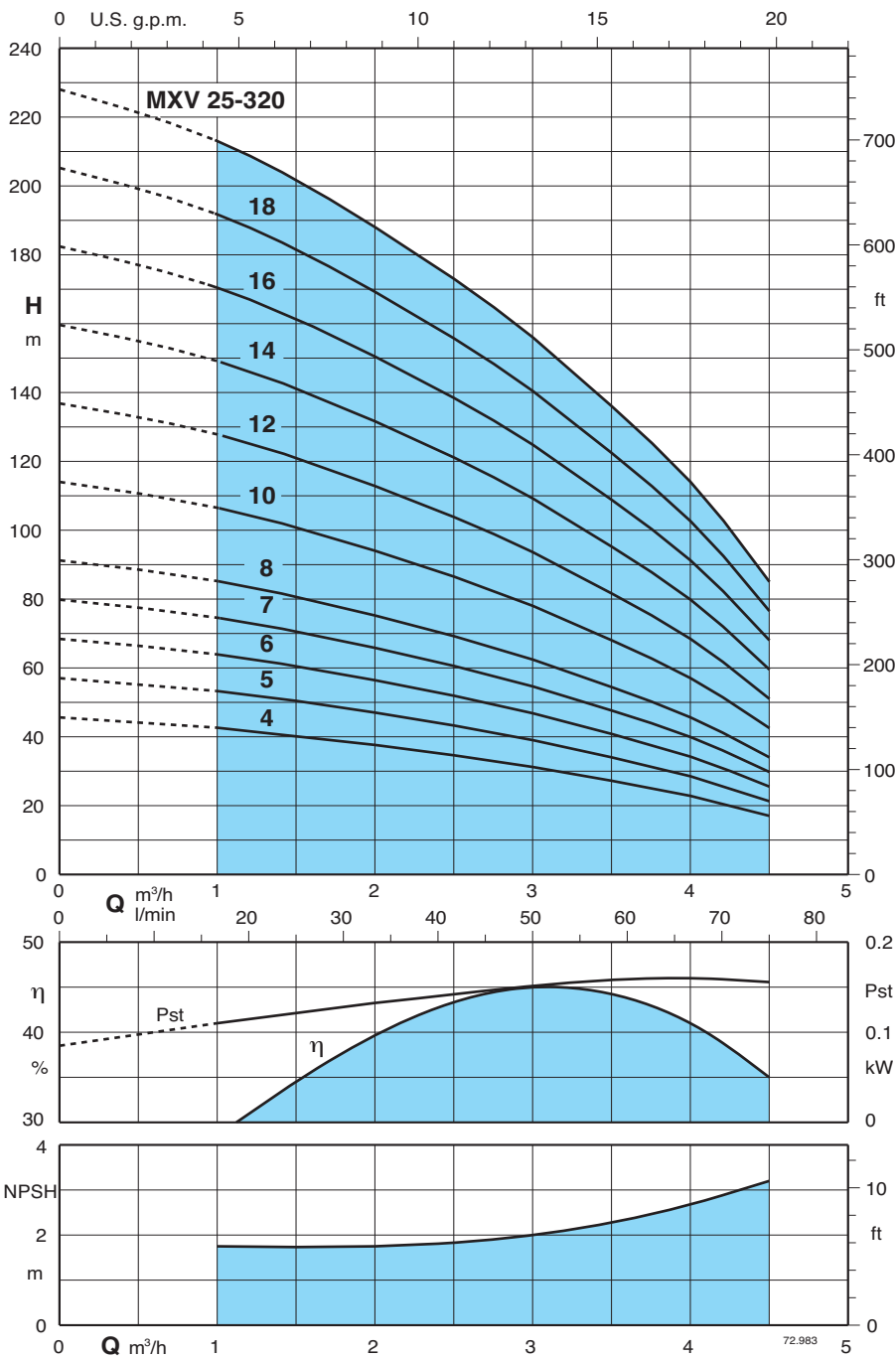
### Variable parts

Pump size MXV				Number of stages	Stage casings with bearing
50-1501	50-2001		80-4801	1	1
50-1502	50-2002	65-3202	80-4802	2	1
50-1503	50-2003	65-3203	80-4803	3	1
50-1504	50-2004	65-3204	80-4804	4	1
50-1505	50-2005	65-3205	80-4805	5	1
50-1506	50-2006	65-3206		6	1
50-1507	50-2007	65-3207		7	1
50-1508	50-2008			8	1
50-1509	50-2009	65-3209	80-4806	6	2
			80-4807	7	2
			80-4808	8	2
				9	2
				10	2
				11	2
50-1512	50-2012	65-3212		12	2
50-1513	50-2013			13	2
50-1514	50-2014			14	3
50-1515	50-2015			15	3
50-1516	50-2016			16	3
50-1517	50-2017			17	3

### Coverage chart



#### Characteristic curves and performance $n \approx 2900$ rpm



Test results with clean cold water, without gas content.

A safety margin of + 0.5 m is recommended for the NPSH value.

Tolerances in accordance with UNI EN ISO 9906:2012

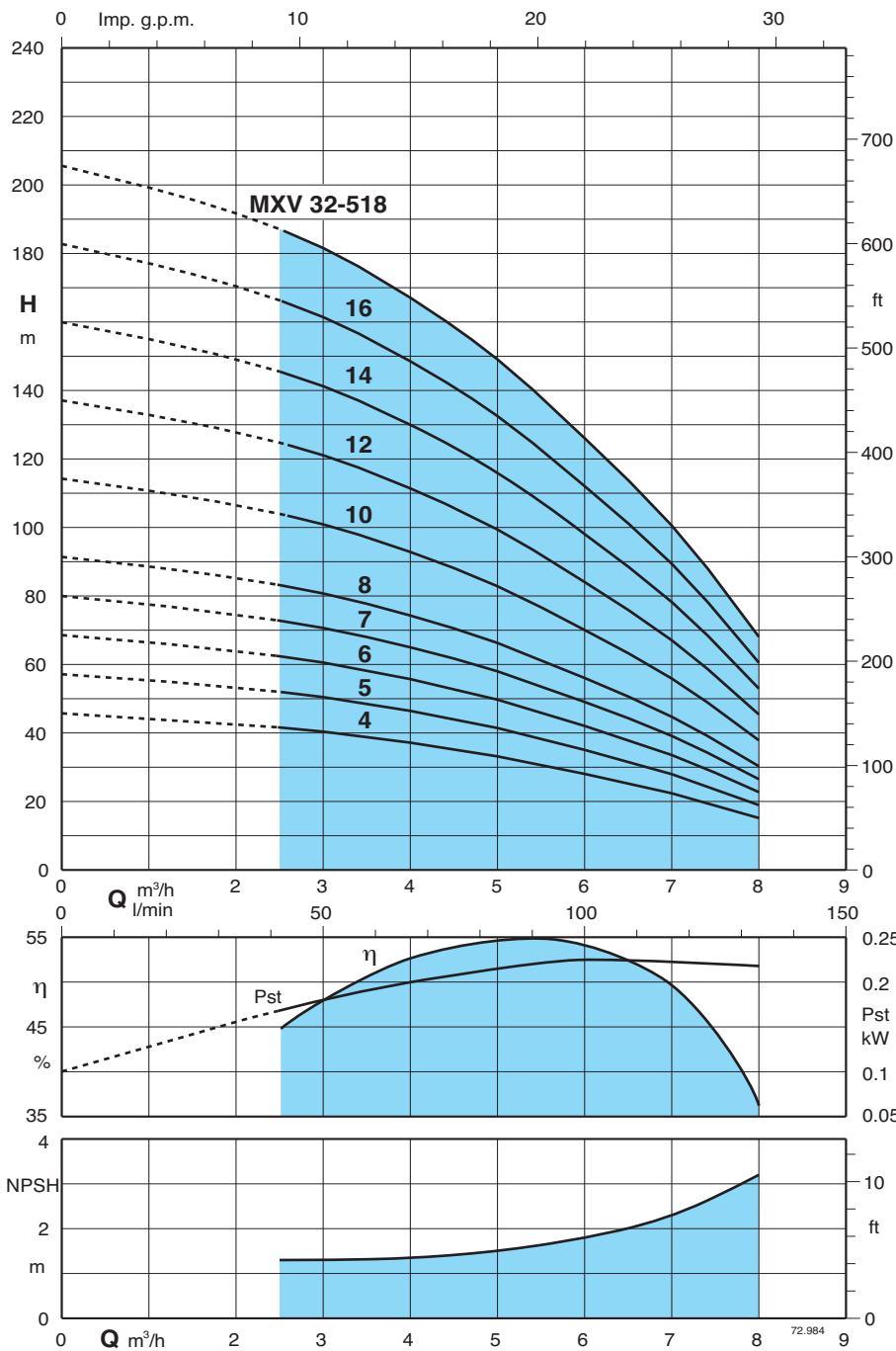
Head and power values valid for liquids with density  $\rho = 1,0 \text{ kg/dm}^3$  and kinematic viscosity  $\nu = \text{max } 20 \text{ mm}^2/\text{sec}$ .

Pst = Power with reference to one stage.

A\* Calpeda motor currents

Pump type	230 V		400 V		Motor power		Q m³/h l/min	0	1	1,5	2	2,5	3	3,5	4	4,5
	A*	A*	kW	HP	kW	HP										
MXV 25-304	4	2,3	0,75	1	H m	0	16,6	25	33,3	41,6	50	58,3	66,6	75		
MXV 25-305	4	2,3	0,75	1		44	42,5	40	37,5	34,5	31	27	22,5	17		
MXV 25-306	4,7	2,7	1,1	1,5		56	53	50	47	43	39	34	28	21		
MXV 25-307	4,7	2,7	1,1	1,5		68	63,5	60,5	56	51,5	46,5	40,5	34	25		
MXV 25-308	7,4	4,3	1,5	2		79,5	74	70,5	65,5	60	54,5	47,5	39,5	30		
MXV 25-310	7,4	4,3	1,5	2		91	85	80,5	75	69	62	54	45,5	34		
MXV 25-312	9,2	5,3	2,2	3		114	106	101	94	86	78	68	57	42		
MXV 25-314	9,2	5,3	2,2	3		136	127	121	112	103	93,5	81,5	68	51		
MXV 25-316	11,4	6,6	3	4		159	149	141	131	121	109	95	79,5	59		
MXV 25-318	11,4	6,6	3	4		182	170	161	150	138	124	108	91	68		
MXV 25-320	11,4	6,6	3	4		205	191	181	169	155	140	122	102	76		
						228	213	202	188	173	156	136	114	85		

## Characteristic curves and performance $n \approx 2900$ rpm



Test results with clean cold water, without gas content.  
 A safety margin of + 0.5 m is recommended for the NPSH value.  
 Tolerances in accordance with UNI EN ISO 9906:2012

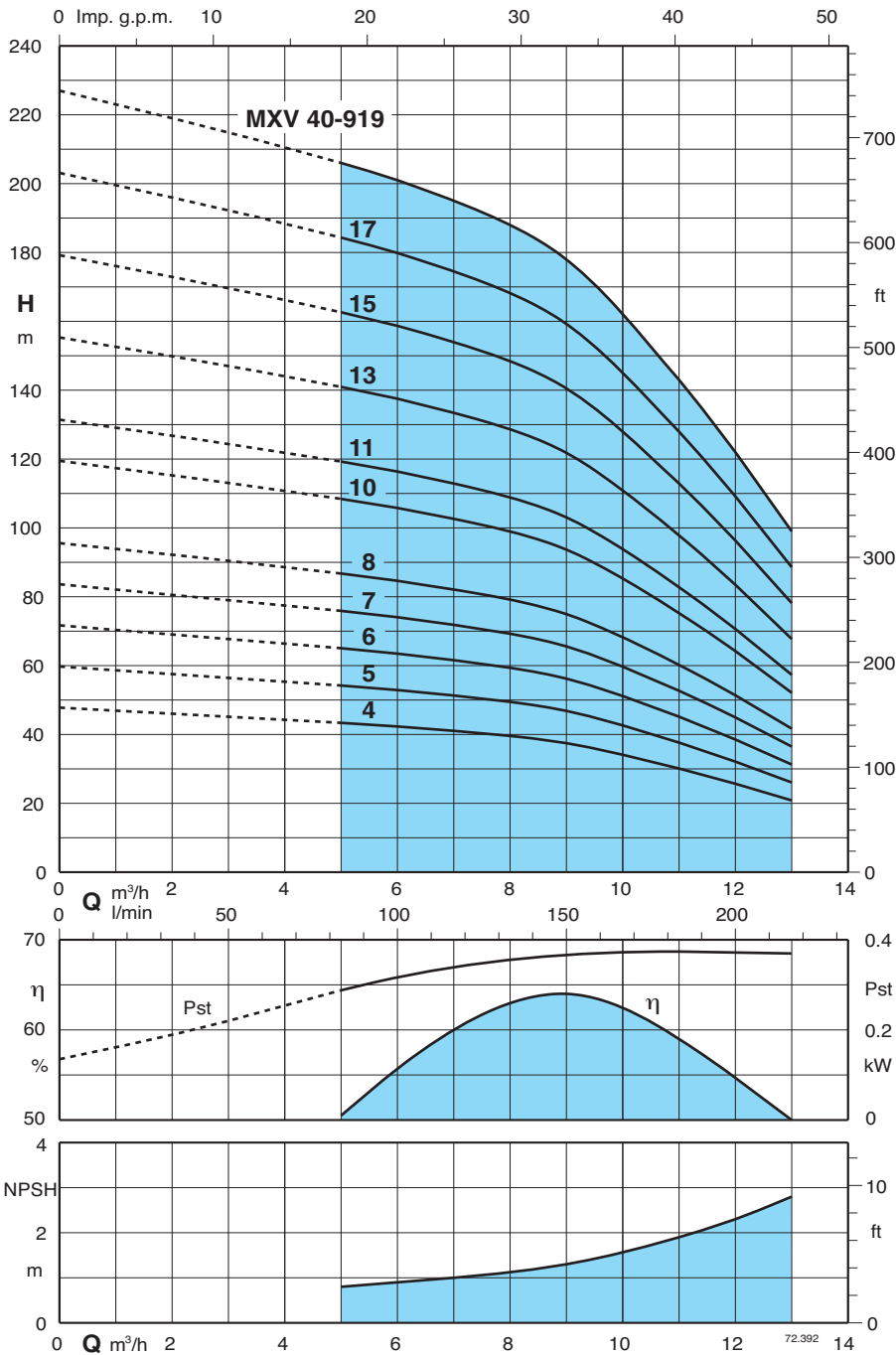
Head and power values valid for liquids with density  $\rho = 1,0 \text{ kg/dm}^3$  and kinematic viscosity  $\nu = \text{max } 20 \text{ mm}^2/\text{sec}$ .

Pst = Power with reference to one stage.  
 A\* Calpeda motor currents

Pump type	230 V		400 V		Motor power		Q m³/h l/min	H m										
	A*	A*	A*	A*	kW	HP		0	2,5	3	3,5	4	4,5	5	6	7	8	
MXV 32-504	4,7	2,7	1,1	1,5			0	41,6	50	58,3	66,6	75	83,3	100	116,6	133,3		
MXV 32-505	4,7	2,7	1,1	1,5			45	41,5	40	38,5	36,5	34,5	32,5	27,5	22	14,5		
MXV 32-506	7,4	4,3	1,5	2			56	51,5	50	48	46	43,5	41	34,5	27,5	18,5		
MXV 32-507	7,4	4,3	1,5	2			68	62	60	58	55,5	52,5	49,5	42	33,5	22,5		
MXV 32-508	9,2	5,3	2,2	3			79,5	72,5	70,5	68	65	61,5	58	49	39	26,5		
MXV 32-510	9,2	5,3	2,2	3			91	83	80,5	78	74	70	66	56	44,5	30		
MXV 32-512	11,4	6,6	3	4			114	104	101	97,5	93	88	83	70	56	38		
MXV 32-514	11,4	6,6	3	4			136	124	121	117	111	105	99,5	84	67	45,5		
MXV 32-516		9,6	4	5,5			159	145	141	136	130	123	116	98	78	53		
MXV 32-518		9,6	4	5,5			182	166	161	156	148	140	132	112	89,5	60,5		
							205	187	181	175	167	158	149	126	100	68		



## Characteristic curves and performance $n \approx 2900$ rpm



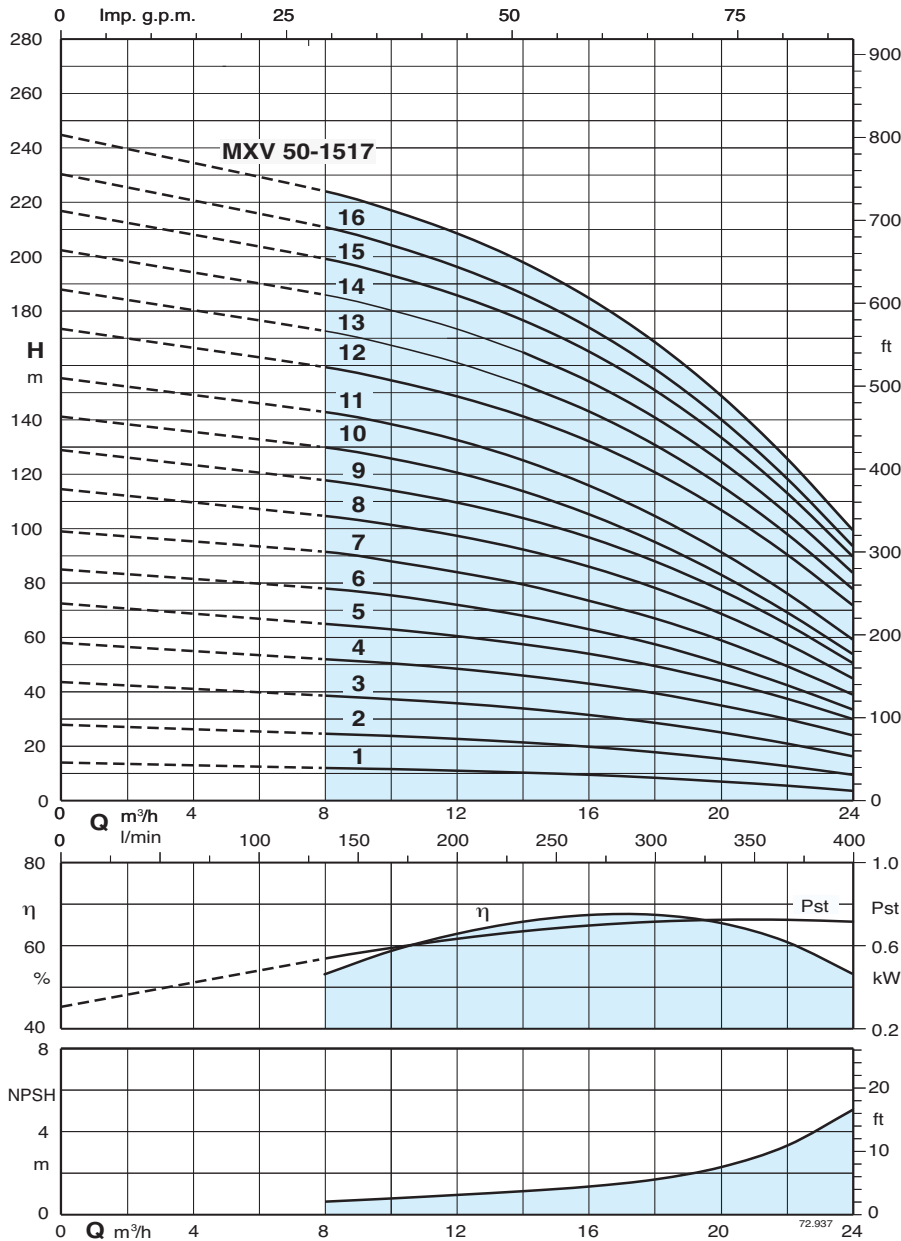
Test results with clean cold water, without gas content.  
 A safety margin of + 0.5 m is recommended for the NPSH value.  
 Tolerances in accordance with UNI EN ISO 9906:2012

Head and power values valid for liquids with density  $\rho = 1,0 \text{ kg/dm}^3$  and kinematic viscosity  $\nu = \text{max } 20 \text{ mm}^2/\text{sec}$ .

Pst = Power with reference to one stage.  
 A\* Calpeda motor currents

Pump type	230 V		400 V		Motor power	Q	H												
	A*	A*	kW	HP			0	5	6	7	8	9	10	11	12	13			
MXV 40-904	7,4	4,3	1,5	2	m	0	83,3	100	116,6	133,3	150	166,6	183,3	200	216,6				
MXV 40-905	9,2	5,3	2,2	3		47	43	42	41	40	37	34	30	26	21				
MXV 40-906	9,2	5,3	2,2	3		59	54	53	51	50	47	43	38	32	26				
MXV 40-907	11,4	6,6	3	4		71	65	63	62	59	56	51	45	39	31				
MXV 40-908	11,4	6,6	3	4		83	76	74	72	69	66	60	53	45	36				
MXV 40-910		9,6	4	5,5		95	87	85	82	79	75	69	60	51	42				
MXV 40-911		9,6	4	5,5		119	109	106	103	99	94	86	75	64	52				
MXV 40-913		10,9	5,5	7,5		131	119	116	113	109	103	94	83	71	57				
MXV 40-915		10,9	5,5	7,5		155	141	138	134	129	122	111	98	84	68				
MXV 40-917		14,3	7,5	10		179	163	159	154	149	141	128	113	96	78				
MXV 40-919		14,3	7,5	10		202	184	180	175	168	159	145	128	109	89				
						226	206	201	195	188	178	162	143	122	99				

## Characteristic curves and performance $n \approx 2900$ rpm



Test results with clean cold water, without gas content.

A safety margin of + 0.5 m is recommended for the NPSH value.

Tolerances in accordance with UNI EN ISO 9906:2012

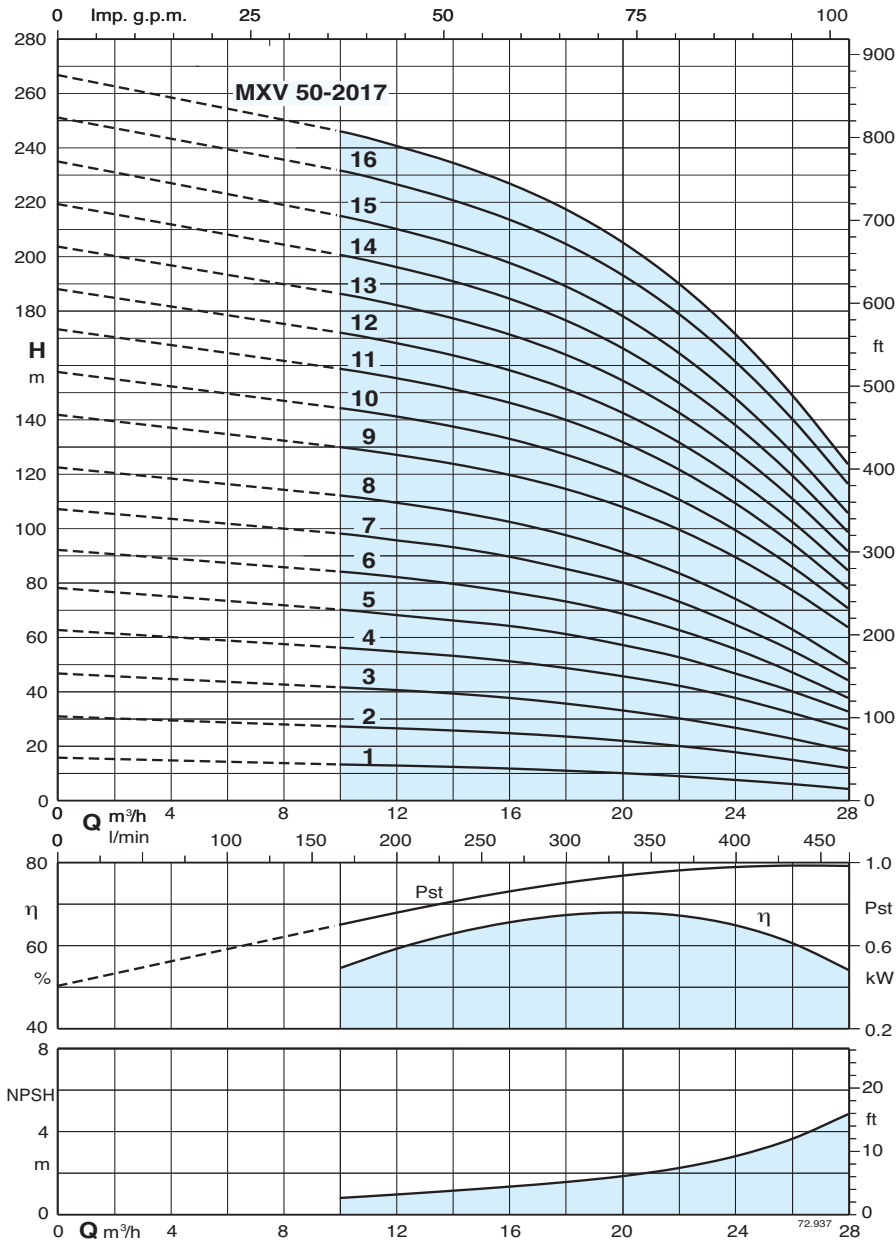
Head and power values valid for liquids with density  $\rho = 1,0 \text{ kg/dm}^3$  and kinematic viscosity  $\nu = \text{max } 20 \text{ mm}^2/\text{sec}$ .

Pst = Power with reference to one stage.

A\* Calpeda motor currents

Pump type	230 V		400 V		Motor power		Q m³/h l/min	0	8	10	12	14	16	18	20	22	24
	A*	A*	kW	HP	kW	HP											
MXV 50-1501	4,7	2,7	1,1	1,5			0	133,3	166,6	200	233	266	300	333	366	400	
MXV 50-1502	7,4	4,3	1,5	2			14,0	12,0	11,6	11,0	10,3	9,5	8,4	7,0	5,5	3,6	
MXV 50-1503/A	9,2	5,3	2,2	3			27,9	24,6	23,8	22,7	21,4	19,8	17,8	15,4	12,7	9,5	
MXV 50-1504	11,4	6,6	3	4			43,6	38,6	37,3	35,8	33,9	31,5	28,6	25,1	21,0	16,3	
MXV 50-1505		9,6	4	5,5			58,0	52,0	50,5	48,5	46,0	43,0	39,5	35,0	30,0	24,0	
MXV 50-1506		10,9	5,5	7,5			72,5	65,0	63,0	60,5	57,5	54,0	49,5	44,0	37,5	30,0	
MXV 50-1507		10,9	5,5	7,5			85,0	78,0	75,5	72,0	68,0	63,0	57,5	50,5	42,5	33,5	
MXV 50-1508/A		10,9	5,5	7,5			99,0	91,5	88,0	84,0	79,5	73,5	67,0	59,0	49,5	39,0	
MXV 50-1509		14,3	7,5	10			115	105	101	97	92	86	78	69	58	45	
MXV 50-1510		14,3	7,5	10			129	118	114	110	104	97	88	77	65	51	
MXV 50-1511		18,5	9,2	12,5			141	130	126	121	114	105	95	83	69	54	
MXV 50-1512		18,5	9,2	12,5			155	143	138	133	125	116	105	91	76	59	
MXV 50-1513		21,5	11	15			173	159	155	149	141	132	121	107	91	72	
MXV 50-1514		21,5	11	15			188	173	167	161	153	143	131	116	98	78	
MXV 50-1515		21,5	11	15			202	186	180	173	165	154	141	125	106	84	
MXV 50-1516		27,3	15	20			217	199	193	186	177	165	151	134	113	90	
MXV 50-1517		27,3	15	20			230	211	204	196	186	174	159	140	119	94	
							245	224	217	209	198	185	169	149	126	100	

## Characteristic curves and performance $n \approx 2900$ rpm



Test results with clean cold water, without gas content.

A safety margin of + 0.5 m is recommended for the NPSH value.

Tolerances in accordance with UNI EN ISO 9906:2012

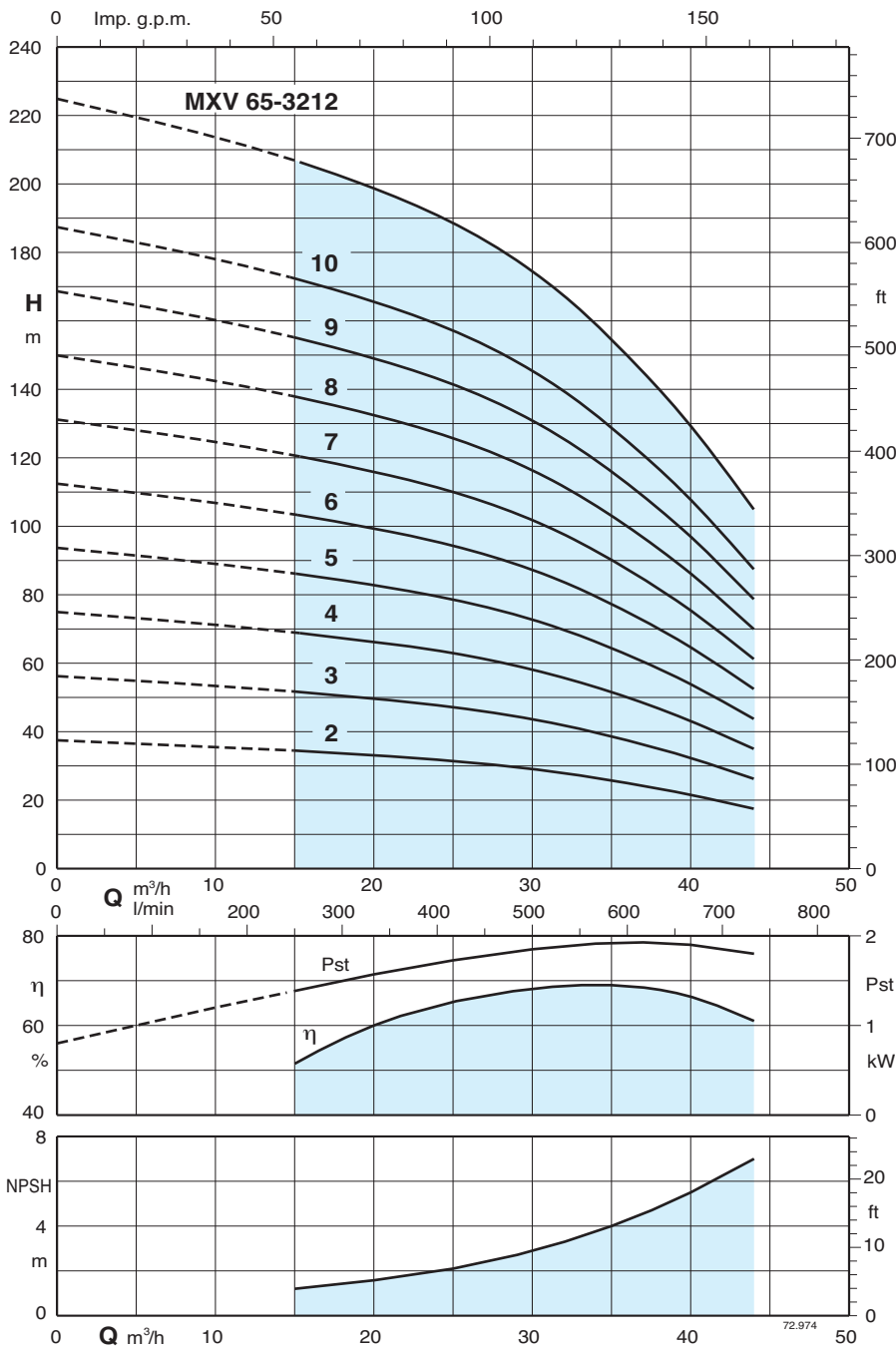
Head and power values valid for liquids with density  $\rho = 1,0 \text{ kg/dm}^3$  and kinematic viscosity  $\nu = \text{max } 20 \text{ mm}^2/\text{sec}$ .

Pst = Power with reference to one stage.

A\* Calpeda motor currents

Pump type	230 V		400 V		Motor power		Q m³/h l/min	H														
	A*	A*	A*	A*	kW	HP		0	10	12	14	16	18	20	22	24	26	28				
MXV 50-2001	4,7	2,7	1,1	1,5	1,1	1,5	0	166,6	200	233	266	300	333	366	400	433	466					
MXV 50-2002	9,2	5,3	2,2	3	2,2	3	15,5	13,0	12,6	12,1	11,5	10,7	9,8	8,7	7,3	5,8	4,0					
MXV 50-2003	11,4	6,6	3	4	2,2	3	30,7	27,0	26,3	25,5	24,5	23,3	21,7	19,8	17,5	14,7	11,7					
MXV 50-2004		9,6	4	5,5	3	4	46,5	41,4	40,4	39,1	37,5	35,4	32,9	30,0	26,5	22,5	18,0					
MXV 50-2005		10,9	5,5	7,5	4	5,5	62,5	56,0	54,5	53,0	51,0	48,5	45,5	42,0	37,5	32,0	26,0					
MXV 50-2006		14,3	7,5	10	5,5	7,5	78,0	70,0	68,0	66,0	64,0	61,0	57,0	52,5	46,5	40,0	32,5					
MXV 50-2007		14,3	7,5	10	7,5	10	92,0	84,0	82,0	79,5	76,5	73,0	68,5	62,5	55,5	47,0	37,5					
MXV 50-2008		18,5	9,2	12,5	7,5	10	107,0	98,0	95,5	93,0	89,5	85,0	80,0	73,0	64,5	55,0	44,0					
MXV 50-2009		18,5	9,2	12,5	9,2	12,5	122	112	109	106	102	97	91	83	74	63	50					
MXV 50-2010		21,5	11	15	9,2	12,5	142	130	127	124	120	114	108	100	89	77	63					
MXV 50-2011		21,5	11	15	11	15	158	144	141	137	133	127	120	111	99	86	71					
MXV 50-2012		27,3	15	20	11	15	173	159	155	151	146	140	132	122	109	94	78					
MXV 50-2013		27,3	15	20	15	20	188	172	168	164	158	151	143	132	118	103	84					
MXV 50-2014		27,3	15	20	15	20	204	186	182	177	171	164	154	143	128	111	91					
MXV 50-2015		27,3	15	20	15	20	219	201	196	191	185	177	166	154	138	120	99					
MXV 50-2016		34	18,5	25	15	20	235	215	210	205	198	189	178	165	148	128	106					
MXV 50-2017		34	18,5	25	18,5	25	251	232	227	221	214	205	193	179	161	140	116					
MXV 50-2017		34	18,5	25	18,5	25	267	246	241	235	227	217	205	190	172	149	124					

## Characteristic curves and performance $n \approx 2900$ rpm



Test results with clean cold water, without gas content.

A safety margin of + 0.5 m is recommended for the NPSH value.

Tolerances in accordance with UNI EN ISO 9906:2012

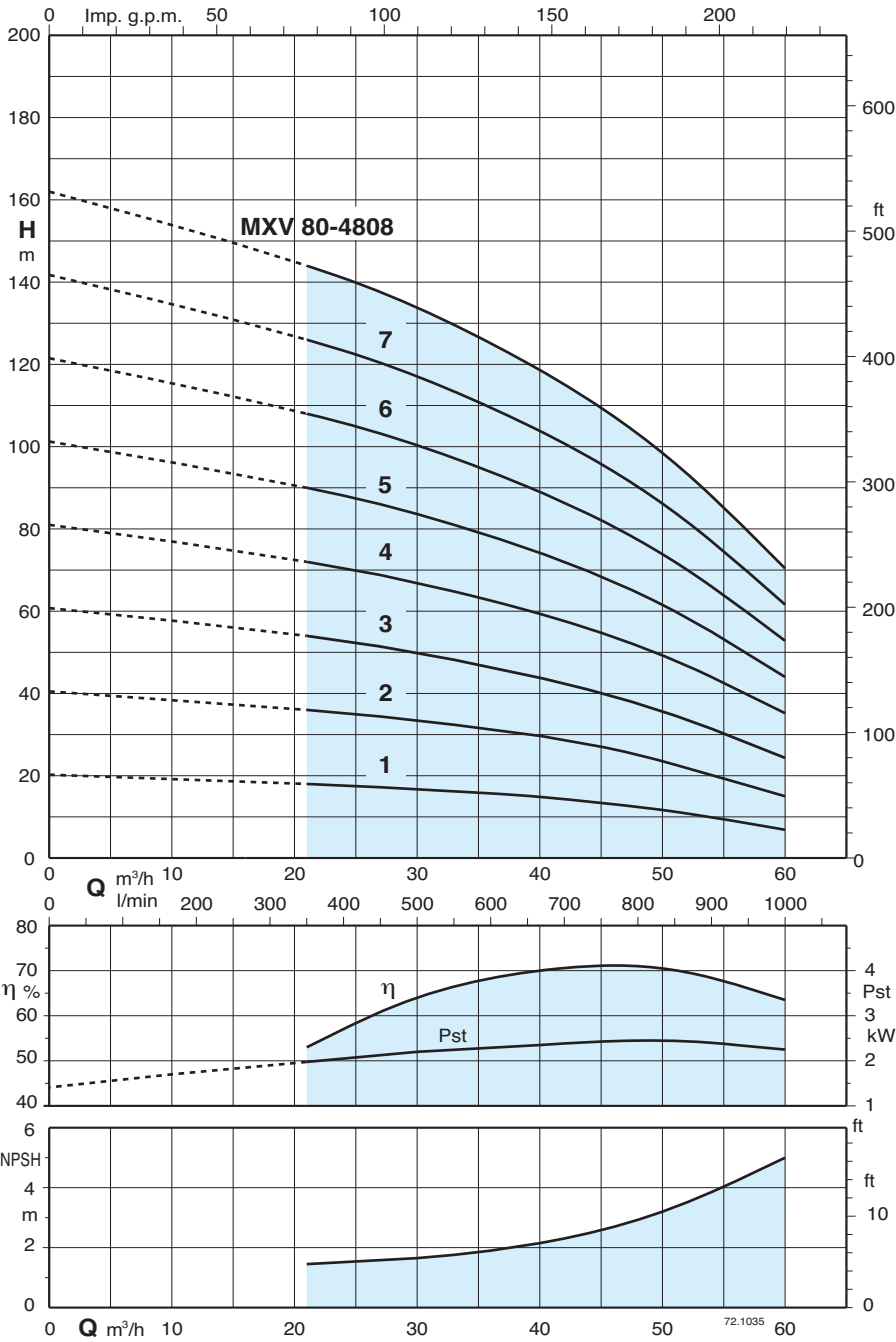
Head and power values valid for liquids with density  $\rho = 1,0 \text{ kg/dm}^3$  and kinematic viscosity  $\nu = \text{max } 20 \text{ mm}^2/\text{sec}$ .

Pst = Power with reference to one stage.

A\* Calpeda motor currents

Pump type	230 V		400 V		Motor power		Q										
	A*	A*	kW	HP	m³/h	l/min	0	15	21	24	27	30	33	36	39	44	
MXV 65-3202/D			9,6	4	5,5		0	250	350	400	450	500	550	600	650	733	
MXV 65-3203/C			10,9	5,5	7,5		37	34	32	31	30	29	27	24,5	22	17	
MXV 65-3204/C			14,3	7,5	10		55,5	51	49	47,5	46	43,5	40,5	37	33,5	25,5	
MXV 65-3205/D			21,5	11	15		75	69	65,5	63,5	61	58,5	54,5	50	45	35	
MXV 65-3206/D			21,5	11	15		93,5	86	82	79,5	77	73	68	62,5	56,5	44	
MXV 65-3207/D			27,3	15	20		112	103	98,5	95,5	92	87	82	75	67,5	52,5	
MXV 65-3208/D			27,3	15	20		131	121	115	111	107	102	95,5	87,5	79	61,5	
MXV 65-3209/E			34	18,5	25		150	138	131	127	123	116	109	100	90	70	
MXV 65-3210/E			34	18,5	25		168	155	148	143	138	130	122	112	101	79	
MXV 65-3212/D			41	22	30		187	172	164	159	154	145	136	125	112	87,5	
							225	207	197	191	185	174	163	150	135	105	

## Characteristic curves and performance $n \approx 2900$ rpm



Test results with clean cold water, without gas content.

A safety margin of + 0.5 m is recommended for the NPSH value.

Tolerances in accordance with UNI EN ISO 9906:2012

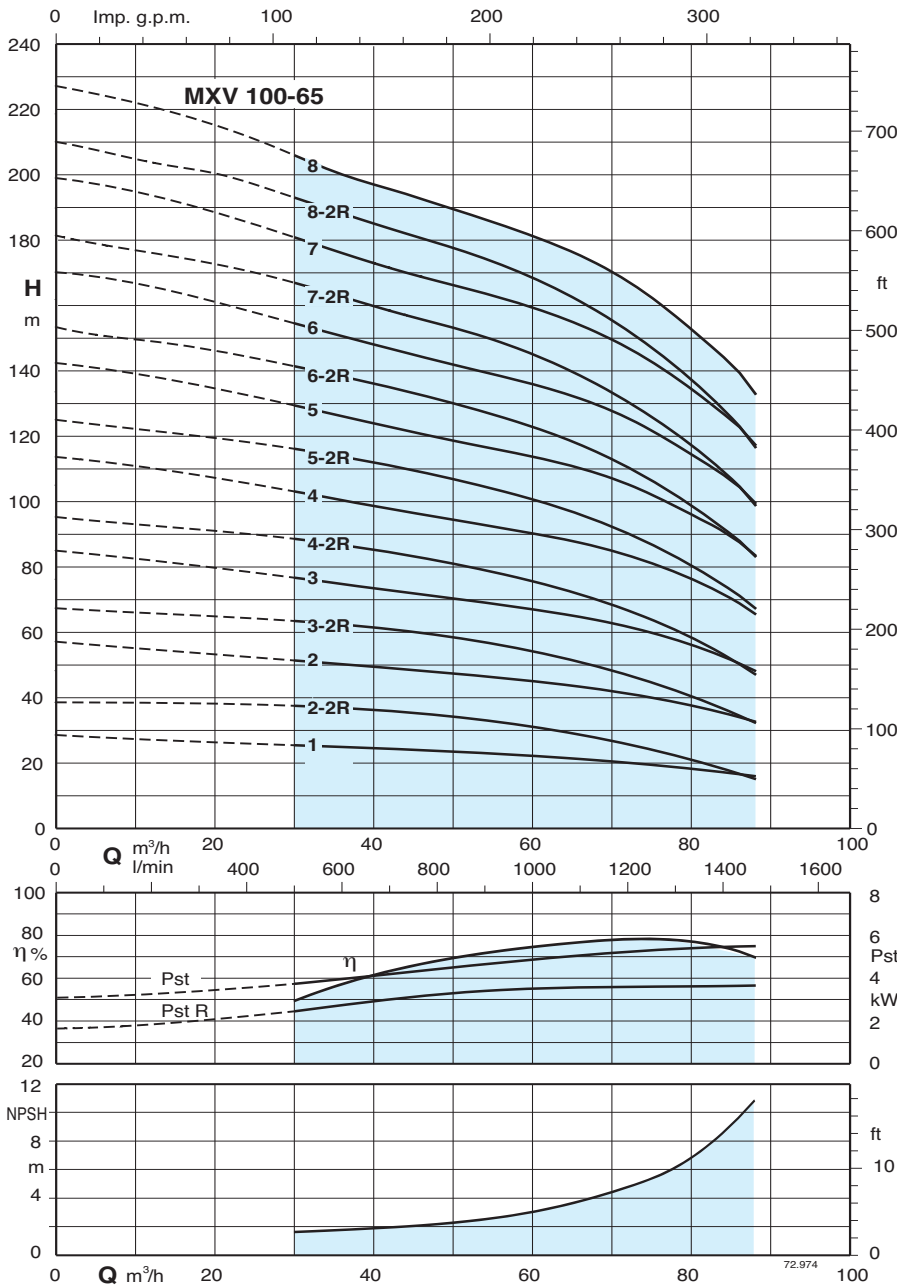
Head and power values valid for liquids with density  $\rho = 1,0 \text{ kg/dm}^3$  and kinematic viscosity  $\nu = \text{max } 20 \text{ mm}^2/\text{sec}$ .

Pst = Power with reference to one stage.

A\* Calpeda motor currents

Pump type	230 V		400 V		Motor power		Q m³/h l/min	H m									
	A*	A*	A*	A*	kW	HP		0	21	27	33	39	45	48	51	54	60
MXV 80-4801/D			9,6		4	5,5	0	20	18	17	16	15	13	12	10,7	9,5	7
MXV 80-4802/C			10,9		5,5	7,5	0	40,5	36	34,5	32,5	29,5	26,5	24,5	22	20	15,5
MXV 80-4803/C			14,3		7,5	10	0	61	54	51	48	44	40	37	34	31	24,5
MXV 80-4804/D			21,5		11	15	0	81	72	69	65	60	55	51,5	48	44	35
MXV 80-4805/D			27,3		15	20	0	101	90	86	81	75	68,5	64,5	60	55	44
MXV 80-4806/D			27,3		15	20	0	121	108	103	97	90	82	77,5	72	66	53
MXV 80-4807/E			34		18,5	25	0	142	126	120	113	105	96	90	84	77	61,5
MXV 80-4808/D			41		22	30	0	162	144	137	129	120	109	103	96	88	70,5

## Characteristic curves and performance $n \approx 2900$ rpm



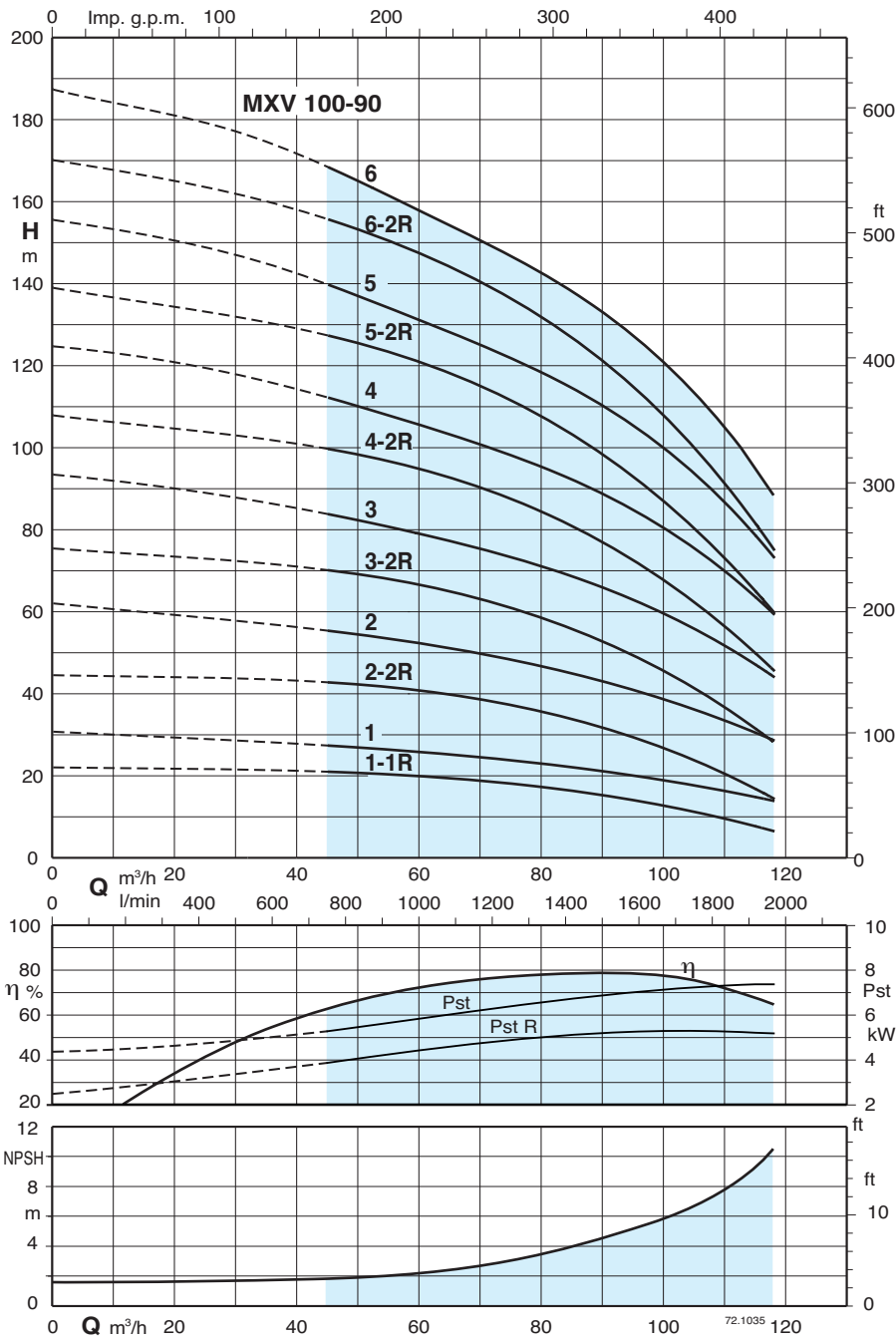
Test results with clean cold water, without gas content.  
 A safety margin of + 0.5 m is recommended for the NPSH value.  
 Tolerances in accordance with UNI EN ISO 9906:2012

Head and power values valid for liquids with density  $\rho = 1,0 \text{ kg/dm}^3$  and kinematic viscosity  $\nu = \text{max } 20 \text{ mm}^2/\text{sec}$ .

Pst = Power with reference to one stage.  
 A\* Calpeda motor currents

Pump type	400 V A*	Motor power		Q m³/h l/min	H m											
		kW	HP		0	30	36	42	45	54	60	72	78	85		
MXV(L) 100-6501	10,9	5,5	7,5	0	28	25	24,5	24	23,5	22,5	22	20	18,5	16,5		
MXV(L) 100-6502-2R	14,3	7,5	10	30	39	37,5	36,5	35,5	35	33	31	25	22	17,5		
MXV(L) 100-6502	21,5	11	15	36	56,5	51	49,5	48,5	48	46	45	41	38,5	34,5		
MXV(L) 100-6503-2R	27,3	15	20	42	67,5	63,5	62	60,5	59,5	56,5	54	46,5	42	35,5		
MXV(L) 100-6503/A	34	18,5	25	45	84,5	76	74	72,5	71,5	69	67	61,5	57,5	51,5		
MXV(L) 100-6504-2R/A	34	18,5	25	54	95,5	88,5	86	84	83	79	75,5	66	60,5	52		
MXV(L) 100-6504	41	22	30	60	113	102	100	97,5	96,5	92,5	90,5	83	78	70		
MXV(L) 100-6505-2R	53	30	40	72	125	116	113	110	109	104	101	90	83	72,5		
MXV(L) 100-6505	53	30	40	78	142	129	125	122	121	116	114	105	98,5	88,5		
MXV(L) 100-6506-2R	53	30	40	85	153	141	137	134	133	127	123	110	102	89,5		
MXV(L) 100-6506	65	37	50	90	170	154	150	147	145	139	136	125	117	105		
MXV(L) 100-6507-2R	65	37	50	100	181	166	162	158	156	150	145	130	120	106		
MXV(L) 100-6507	78	45	60	110	199	180	175	172	169	163	159	147	138	124		
MXV(L) 100-6508-2R	78	45	60	120	210	193	188	184	181	174	168	152	141	125		
MXV(L) 100-6508	78	45	60	1417	227	206	200	196	193	186	181	167	157	141		

## Characteristic curves and performance $n \approx 2900$ rpm



Test results with clean cold water, without gas content.

A safety margin of + 0.5 m is recommended for the NPSH value.

Tolerances in accordance with UNI EN ISO 9906:2012

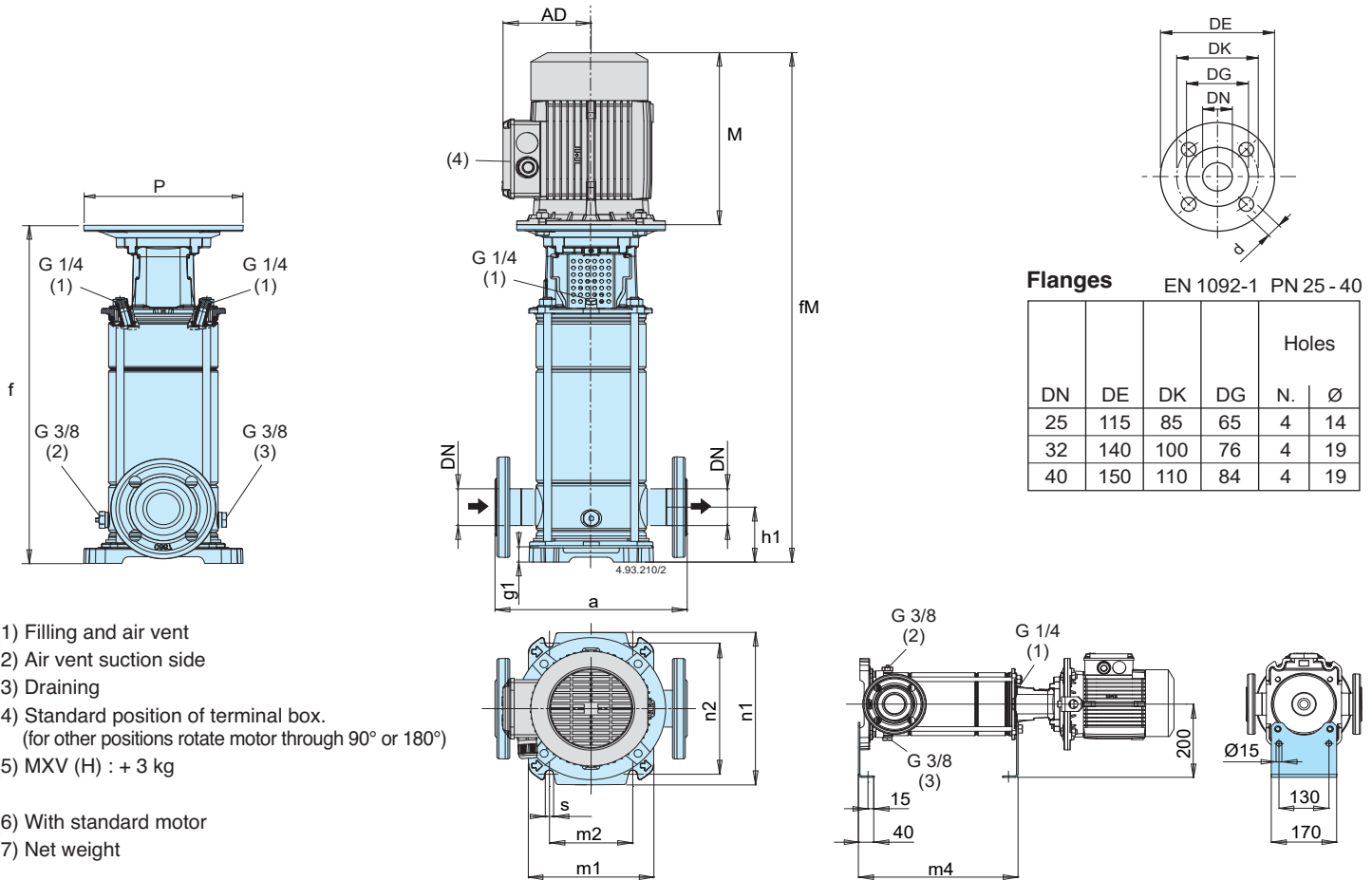
Head and power values valid for liquids with density  $\rho = 1,0 \text{ kg/dm}^3$  and kinematic viscosity  $\nu = \text{max } 20 \text{ mm}^2/\text{sec}$ .

Pst = Power with reference to one stage.

A\* Calpeda motor currents

Pump type	400 V		Motor power	Q	Q (m³/h)										
	A*	kW			HP	0	45	54	60	72	78	85	96	108	118
MXV(L) 100-9001-1R	10,9	5,5	7,5	H m	0	750	900	1000	1200	1300	1417	1600	1800	1967	
MXV(L) 100-9001	14,3	7,5	10		22	21	20,5	20	19	17,5	16,5	13,5	10	6,5	
MXV(L) 100-9002-2R	21,5	11	15		30,5	27,5	26	25,5	24	23,5	22	20	17	13,5	
MXV(L) 100-9002	27,3	15	20		44,5	43	42	41	38,5	36,5	34	28,5	21,5	15	
MXV(L) 100-9003-2R/A	34	18,5	25		62	55,5	53	51,5	49	47,5	45	41	35	28,5	
MXV(L) 100-9003	41	22	30		75,5	70,5	68	66,5	62,5	59,5	56	48,5	38,5	28,5	
MXV(L) 100-9004-2R	53	30	40		93,5	84	80,5	78	74	72	69	62,5	53,5	44	
MXV(L) 100-9004	53	30	40		108	100	97	94,5	89	85,5	81	71,5	59	46	
MXV(L) 100-9005-2R	65	37	50		125	112	108	105	99,5	96,5	92,5	84	72	60	
MXV(L) 100-9005	65	37	50		139	127	123	120	113	109	103	92	76	60	
MXV(L) 100-9006-2R	78	45	60		156	140	134	130	123	120	114	104	89	74	
MXV(L) 100-9006	78	45	60		170	156	150	146	138	134	127	113	94,5	75,5	
				188	169	161	157	149	144	138	126	108	89,5		

### Dimensions and weights



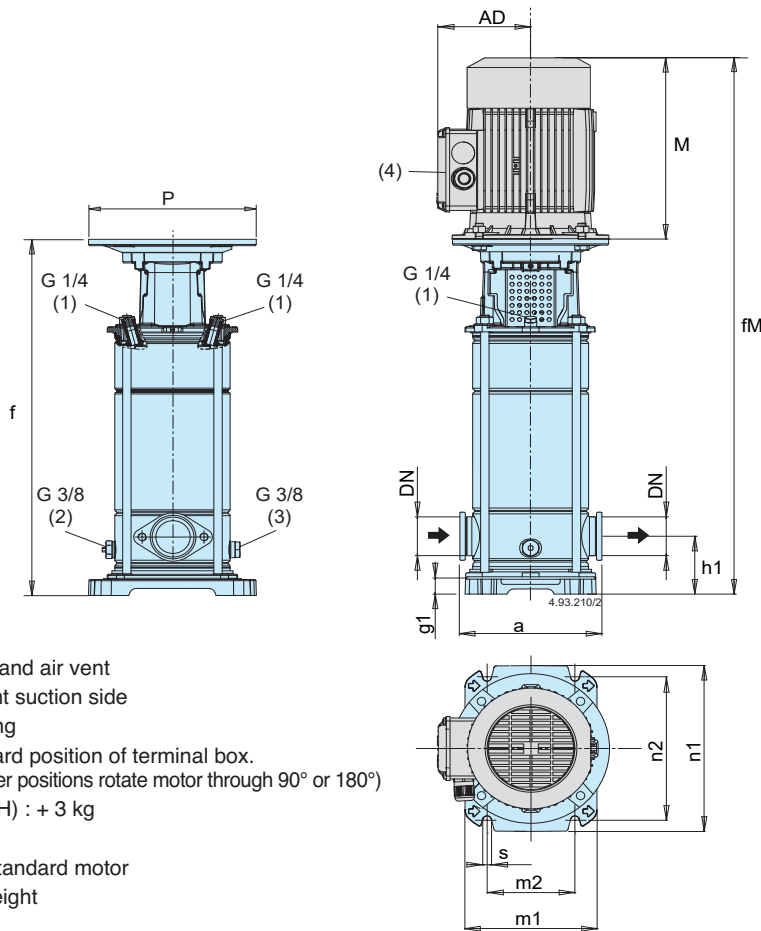
**Flanges** EN 1092-1 PN 25 - 40

DN	DE	DK	DG	Holes	
				N.	Ø
25	115	85	65	4	14
32	140	100	76	4	19
40	150	110	84	4	19

Pump	Motor			mm															without motor	with motor
	kW	HP		DN	a	h1	f	n1	n2	m1	m2	s	g1	(6) M	fM	P	(6) AD	m4	(5) (7) kg	(5) (7) kg
MXV 25-304	0,75	1	M80 V1	25	250	75	382,5	205	180	165	100	13	35,5	255	637,5	200	127,5	283	-	-
MXV 25-305	0,75	1	M80 V1	25	250	75	406,5	205	180	165	100	13	35,5	255	661,5	200	127,5	307		
MXV 25-306	1,1	1,5	M80 V1	25	250	75	430,5	205	180	165	100	13	35,5	255	685,5	200	127,5	331		
MXV 25-307	1,1	1,5	M80 V1	25	250	75	454,5	205	180	165	100	13	35,5	255	709,5	200	127,5	355		
MXV 25-308	1,5	2	M90 V1	25	250	75	478,5	205	180	165	100	13	35,5	255	733,5	200	127,5	379		
MXV 25-310	1,5	2	M90 V1	25	250	75	527	205	180	165	100	13	35,5	255	782	200	127,5	427,5		
MXV 25-312	2,2	3	M90 V1	25	250	75	575,5	205	180	165	100	13	35,5	295	870,5	200	127,5	476		
MXV 25-314	2,2	3	M90 V1	25	250	75	623,5	205	180	165	100	13	35,5	295	918,5	200	127,5	524		
MXV 25-316	3	4	M100 V1	25	250	75	672	205	180	165	100	13	35,5	311	983	250	137,5	572,5		
MXV 25-318	3	4	M100 V1	25	250	75	720,5	205	180	165	100	13	35,5	311	1031,5	250	137,5	621		
MXV 25-320	3	4	M100 V1	25	250	75	768,5	205	180	165	100	13	35,5	311	1079,5	250	137,5	669		
MXV 32-504	1,1	1,5	M80 V1	32	250	75	382,5	205	180	165	100	13	35,5	255	637,5	200	127,5	283		
MXV 32-505	1,1	1,5	M80 V1	32	250	75	406,5	205	180	165	100	13	35,5	255	661,5	200	127,5	307		
MXV 32-506	1,5	2	M90 V1	32	250	75	430,5	205	180	165	100	13	35,5	255	685,5	200	127,5	331		
MXV 32-507	1,5	2	M90 V1	32	250	75	454,5	205	180	165	100	13	35,5	255	709,5	200	127,5	355		
MXV 32-508	2,2	3	M90 V1	32	250	75	478,5	205	180	165	100	13	35,5	295	773,5	200	127,5	379		
MXV 32-510	2,2	3	M90 V1	32	250	75	527	205	180	165	100	13	35,5	295	822	200	127,5	427,5		
MXV 32-512	3	4	M100 V1	32	250	75	575,5	205	180	165	100	13	35,5	311	886,5	250	137,5	476		
MXV 32-514	3	4	M100 V1	32	250	75	623,5	205	180	165	100	13	35,5	311	934,5	250	137,5	524		
MXV 32-516	4	5,5	M112 V1	32	250	75	672	205	180	165	100	13	35,5	311	983	250	137,5	572,5		
MXV 32-518	4	5,5	M112 V1	32	250	75	720,5	205	180	165	100	13	35,5	311	1031,5	250	137,5	621		
MXV40-904	1,5	2	M90 V1	40	280	80	411,5	250	215	190	130	14	30,5	255	666,5	200	127,5	312		
MXV 40-905	2,2	3	M90 V1	40	280	80	441,5	250	215	190	130	14	30,5	295	736,5	200	127,5	342		
MXV 40-906	2,2	3	M90 V1	40	280	80	471,5	250	215	190	130	14	30,5	295	766,5	200	127,5	372		
MXV 40-907	3	4	M100 V1	40	280	80	501,5	250	215	190	130	14	30,5	311	812,5	250	137,5	402		
MXV 40-908	3	4	M100 V1	40	280	80	532	250	215	190	130	14	30,5	311	843	250	137,5	432,5		
MXV 40-910	4	5,5	M112 V1	40	280	80	592	250	215	190	130	14	30,5	311	903	250	137,5	492,5		
MXV 40-911	4	5,5	M112 V1	40	280	80	622	250	215	190	130	14	30,5	311	933	250	137,5	522,5		
MXV 40-913	5,5	7,5	M132 V1	40	280	80	769,5	250	215	190	130	14	30,5	339	1108,5	300	159,5	583,5		
MXV 40-915	5,5	7,5	M132 V1	40	280	80	830	250	215	190	130	14	30,5	339	1169	300	159,5	644		
MXV 40-917	7,5	10	M132 V1	40	280	80	890	250	215	190	130	14	30,5	339	1229	300	159,5	704		
MXV 40-919	7,5	10	M132 V1	40	280	80	950	250	215	190	130	14	30,5	339	1289	300	159,5	764		

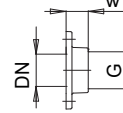


### Dimensions and weights



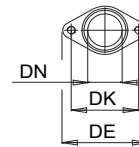
- (1) Filling and air vent
- (2) Air vent suction side
- (3) Draining
- (4) Standard position of terminal box.  
(for other positions rotate motor through 90° or 180°)
- (5) MXV (H) : + 3 kg
- (6) With standard motor
- (7) Net weight

#### Oval Counterflanges

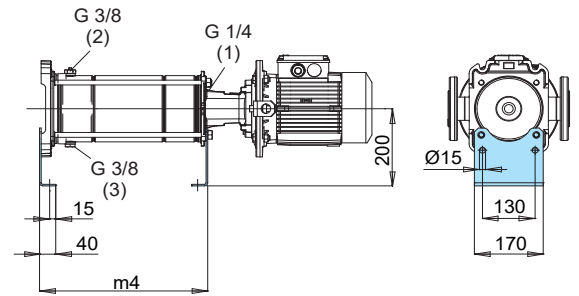


PN 16				
DN	G	w	Holes	
			N.	Ø
25	1	23	2	12
32	1 1/4	23	2	12
40	1 1/2	26	2	15

#### Oval Flanges

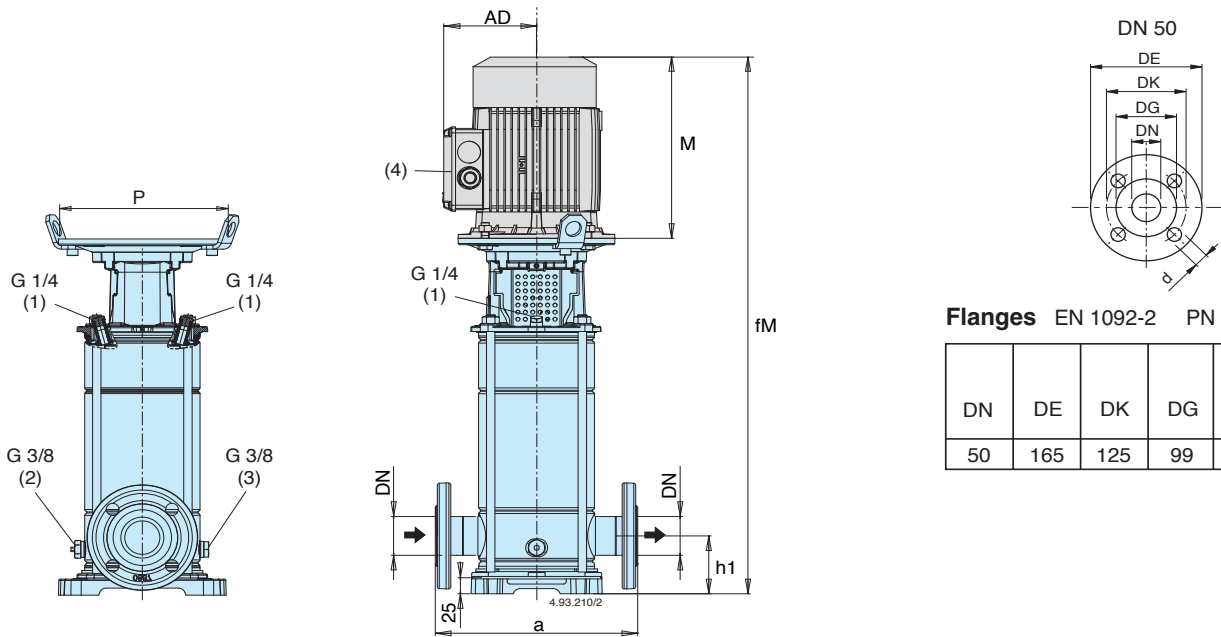


PN 16				
DN	DE	DK	Holes	
			N.	Ø
25	95	75	2	M10
32	95	75	2	M10
40	125	100	2	M12



Pump	Motor			mm															without motor (5) (7) kg	with motor (5) (6) (7) kg
	kW	HP		DN	ao	h1	f	n1	n2	m1	m2	s	g1	(6) M	fM	P	(6) AD	m4		
MXV 25-304 O	0,75	1	M80 V1	25	160	50	367	205	180	165	100	13	20	255	622	200	127,5	268	-	-
MXV 25-305 O	0,75	1	M80 V1	25	160	50	391	205	180	165	100	13	20	255	646	200	127,5	292		
MXV 25-306 O	1,1	1,5	M80 V1	25	160	50	415	205	180	165	100	13	20	255	670	200	127,5	316		
MXV 25-307 O	1,1	1,5	M80 V1	25	160	50	439	205	180	165	100	13	20	255	694	200	127,5	340		
MXV 25-308 O	1,5	2	M90 V1	25	160	50	463	205	180	165	100	13	20	255	718	200	127,5	364		
MXV 25-310 O	1,5	2	M90 V1	25	160	50	511,5	205	180	165	100	13	20	255	766,5	200	127,5	412,5		
MXV 25-312 O	2,2	3	M90 V1	25	160	50	560	205	180	165	100	13	20	295	855	200	127,5	461		
MXV 25-314 O	2,2	3	M90 V1	25	160	50	608	205	180	165	100	13	20	295	903	200	127,5	509		
MXV 32-504 O	1,1	1,5	M80 V1	32	160	50	367	205	180	165	100	13	20	255	622	200	127,5	267,5		
MXV 32-505 O	1,1	1,5	M80 V1	32	160	50	391	205	180	165	100	13	20	255	646	200	127,5	291,5		
MXV 32-506 O	1,5	2	M90 V1	32	160	50	415	205	180	165	100	13	20	255	670	200	127,5	315,5		
MXV 32-507 O	1,5	2	M90 V1	32	160	50	439	205	180	165	100	13	20	255	694	200	127,5	339,5		
MXV 32-508 O	2,2	3	M90 V1	32	160	50	463	205	180	165	100	13	20	295	758	200	127,5	363,5		
MXV 32-510 O	2,2	3	M90 V1	32	160	50	511,5	205	180	165	100	13	20	295	806,5	200	127,5	412		
MXV 32-512 O	3	4	M100 V1	32	160	50	560	205	180	165	100	13	20	311	871	250	137,5	460,5		
MXV 32-514 O	3	4	M100 V1	32	160	50	608	205	180	165	100	13	20	311	919	250	137,5	508,5		
MXV40-904 O	1,5	2	M90 V1	40	200	80	411,5	250	215	190	130	14	30,5	255	666,5	200	127,5	312		
MXV 40-905 O	2,2	3	M90 V1	40	200	80	441,5	250	215	190	130	14	30,5	295	736,5	200	127,5	342		
MXV 40-906 O	2,2	3	M90 V1	40	200	80	471,5	250	215	190	130	14	30,5	295	766,5	200	127,5	372		
MXV 40-907 O	3	4	M100 V1	40	200	80	501,5	250	215	190	130	14	30,5	311	812,5	250	137,5	402		
MXV 40-908 O	3	4	M100 V1	40	200	80	532	250	215	190	130	14	30,5	311	843	250	137,5	432,5		
MXV 40-910 O	4	5,5	M112 V1	40	200	80	592	250	215	190	130	14	30,5	311	903	250	137,5	492,5		
MXV 40-911 O	4	5,5	M112 V1	40	200	80	622	250	215	190	130	14	30,5	311	933	250	137,5	522,5		
MXV 40-913 O	5,5	7,5	M132 V1	40	200	80	769,5	250	215	190	130	14	30,5	339	1108,5	300	159,5	583,5		

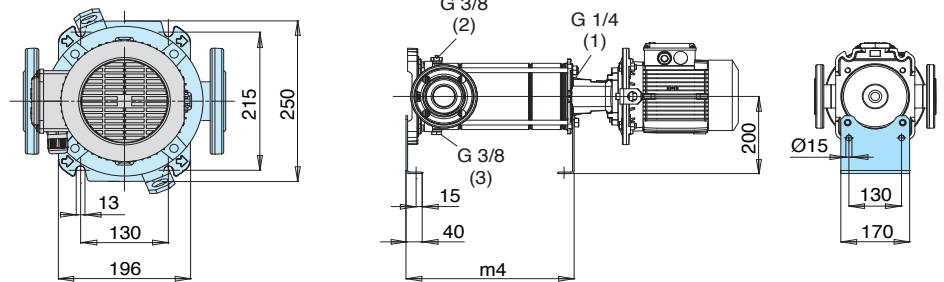
## Dimensions and weights



Flanges EN 1092-2 PN 25

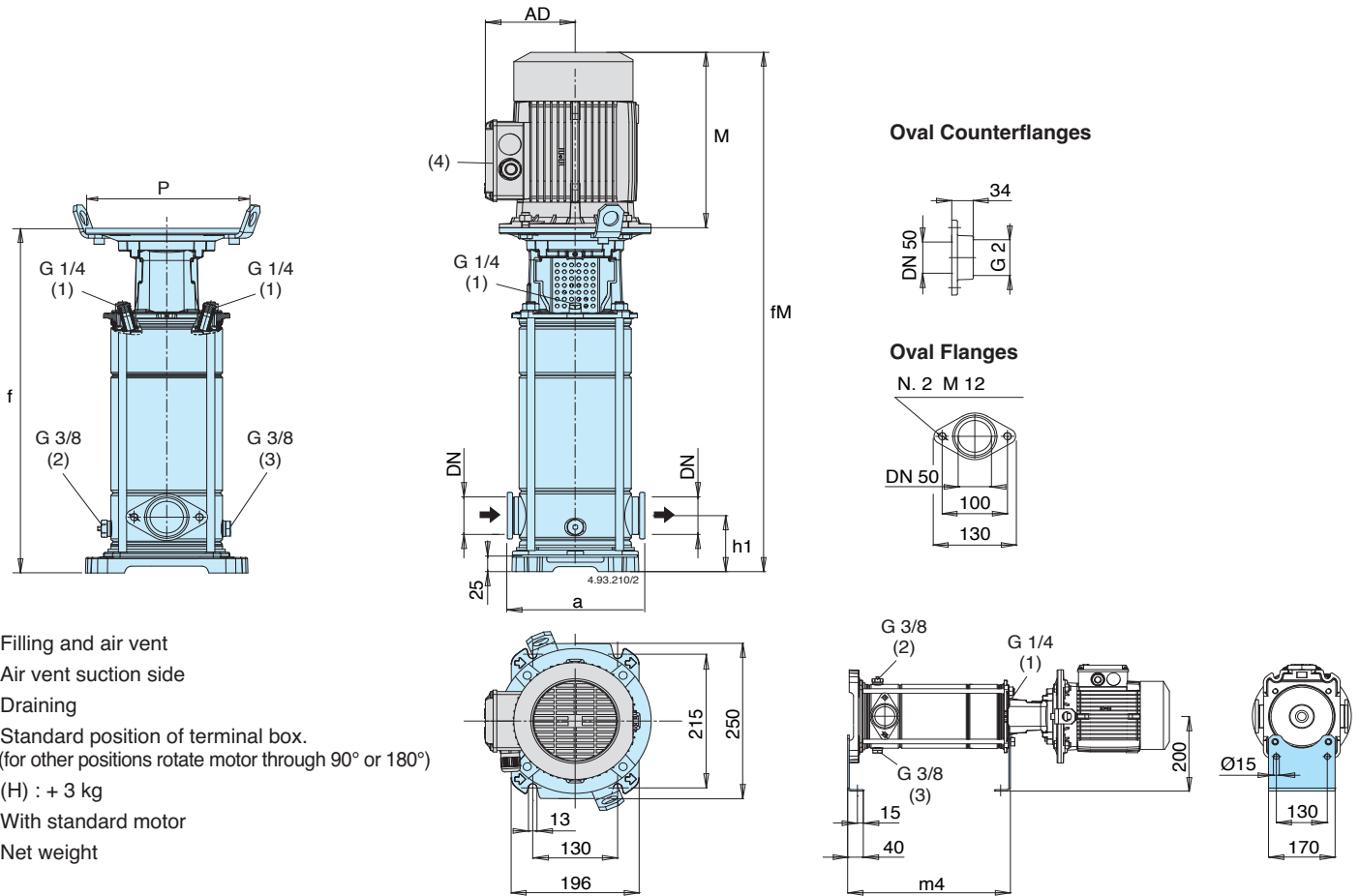
DN	DE	DK	DG	Holes	
				N.	Ø
50	165	125	99	4	19

- (1) Filling and air vent
- (2) Air vent suction side
- (3) Draining
- (4) Standard position of terminal box.  
(for other positions rotate motor through 90° or 180°)
- (5) (H) : + 3 kg
- (6) With standard motor
- (7) Net weight



Pump	Motor			mm									without motor MXV (5) (7) kg	with motor (6) (7) kg
	kW	HP		DN	a	h1	f	(6) M	fM	P	(6) AD	m4		
MXV 50-1501	1,1	1,5	M80 V1	50	300	90	438	255	693	200	127,5	313	27,4	40,7
MXV 50-1502	1,5	2	M90 V1	50	300	90	438	255	693	200	127,5	313	27,9	41,2
MXV 50-1503/A	2,2	3	M90 V1	50	300	90	486	311	797	200	137,5	361	29,4	55,0
MXV 50-1504	3	4	M100 V1	50	300	90	534	311	845	250	137,5	409	31,8	57,4
MXV 50-1505	4	5,5	M112 V1	50	300	90	582	311	893	250	137,5	457	33,3	61,1
MXV 50-1506	5,5	7,5	M132 V1	50	300	90	693	339	1032	300	159,5	505	44,3	86,6
MXV 50-1507	5,5	7,5	M132 V1	50	300	90	741	339	1080	300	159,5	553	45,7	88,0
MXV 50-1508/A	5,5	7,5	M132 V1	50	300	90	789	339	1128	300	159,5	601	47,2	94,9
MXV 50-1509	7,5	10	M132 V1	50	300	90	837	339	1176	300	159,5	649	48,6	96,3
MXV 50-1510	7,5	10	M132 V1	50	300	90	885	339	1224	300	159,5	697	50,1	97,8
MXV 50-1511	9,2	12,5	M160 V1	50	300	90	963	413	1376	350	186	745	58,0	128
MXV 50-1512	9,2	12,5	M160 V1	50	300	90	1011	413	1424	350	186	793	59,3	129,3
MXV 50-1513	11	15	M160 V1	50	300	90	1059	459	1518	350	186	841	60,7	136,7
MXV 50-1514	11	15	M160 V1	50	300	90	1107	459	1566	350	186	889	62,2	138,2
MXV 50-1515	11	15	M160 V1	50	300	90	1155	459	1614	350	186	937	63,7	139,7
MXV 50-1516	15	20	M160 V1	50	300	90	1203	484	1687	350	186	985	65,1	167,1
MXV 50-1517	15	20	M160 V1	50	300	90	1251	484	1735	350	186	1033	66,6	168,6
MXV 50-2001	1,1	1,5	M80 V1	50	300	90	438	255	693	200	127,5	313	27,4	40,7
MXV 50-2002	2,2	3	M90 V1	50	300	90	438	295	733	200	127,5	313	27,9	46,0
MXV 50-2003	3	4	M100 V1	50	300	90	486	311	797	250	137,5	361	30,3	55,9
MXV 50-2004	4	5,5	M112 V1	50	300	90	534	311	845	250	137,5	409	31,8	59,6
MXV 50-2005	5,5	7,5	M132 V1	50	300	90	645	339	984	300	159,5	457	42,8	85,1
MXV 50-2006	7,5	10	M132 V1	50	300	90	693	339	1032	300	159,5	505	44,3	92,0
MXV 50-2007	7,5	10	M132 V1	50	300	90	741	339	1080	300	159,5	553	45,7	93,4
MXV 50-2008	9,2	12,5	M160 V1	50	300	90	819	413	1232	350	186	601	53,5	123,5
MXV 50-2009	9,2	12,5	M160 V1	50	300	90	867	413	1280	350	186	649	54,9	124,9
MXV 50-2010	11	15	M160 V1	50	300	90	915	459	1374	350	186	697	56,4	132,4
MXV 50-2011	11	15	M160 V1	50	300	90	963	459	1422	350	186	745	57,8	133,8
MXV 50-2012	15	20	M160 V1	50	300	90	1011	484	1495	350	186	793	59,3	161,3
MXV 50-2013	15	20	M160 V1	50	300	90	1059	484	1543	350	186	841	60,7	162,7
MXV 50-2014	15	20	M160 V1	50	300	90	1107	484	1591	350	186	889	62,2	164,2
MXV 50-2015	15	20	M160 V1	50	300	90	1155	484	1639	350	186	937	63,7	165,7
MXV 50-2016	18,5	25	M160 V1	50	300	90	1203	538	1741	350	206	985	65,1	187,1
MXV 50-2017	18,5	25	M160 V1	50	300	90	1251	538	1789	350	206	1033	66,6	188,6

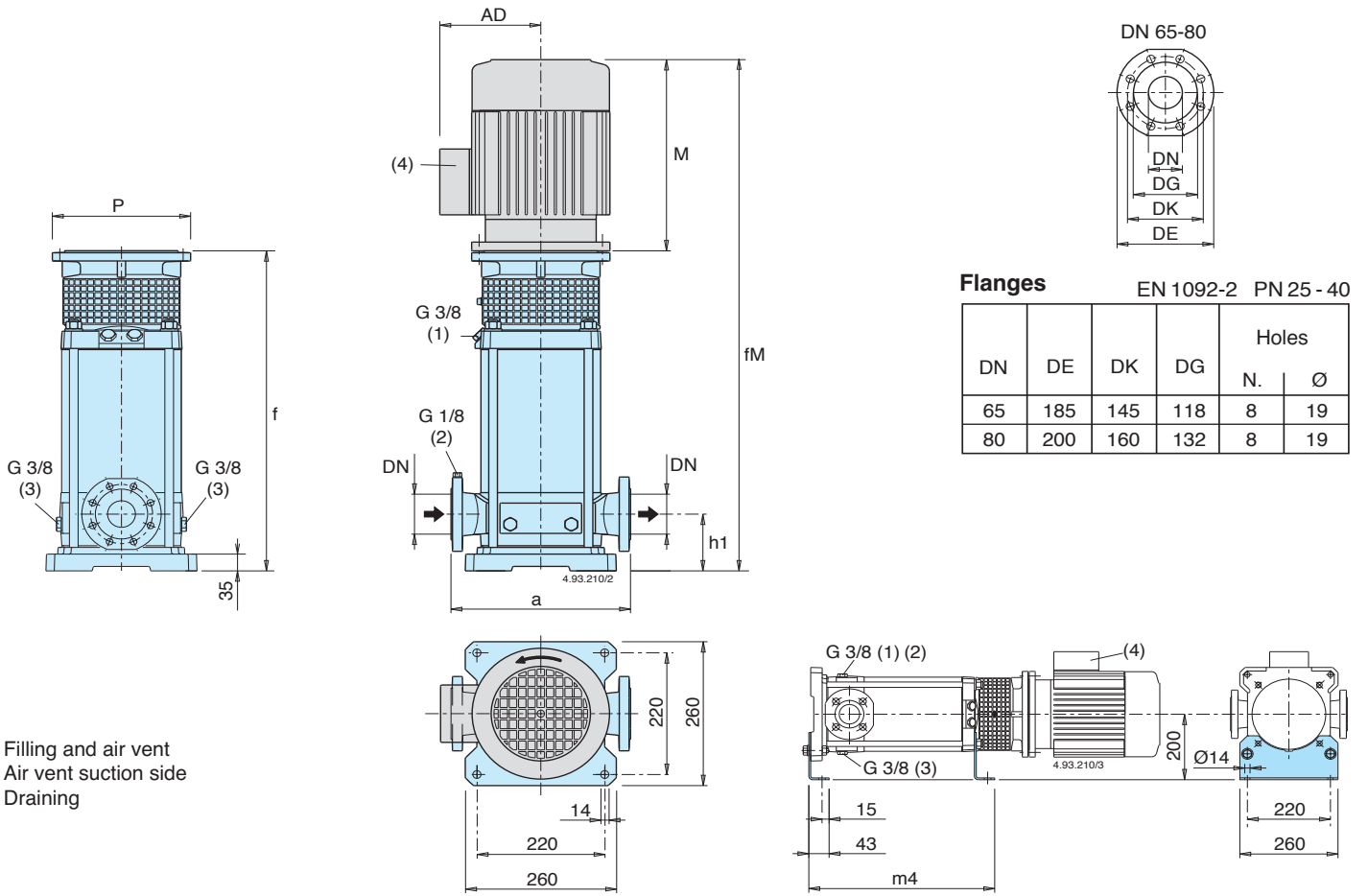
## Dimensions and weights



- (1) Filling and air vent
- (2) Air vent suction side
- (3) Draining
- (4) Standard position of terminal box.  
(for other positions rotate motor through 90° or 180°)
- (5) (H) : + 3 kg
- (6) With standard motor
- (7) Net weight

Pump	Motor			mm									without motor MXV (5) (7) kg	with motor (6) (7) kg
				DN	a	h1	f	(6) M	fM	P	(6) AD	m4		
MXV 50-1501 O	1,1	1,5	M80 V1	50	200	90	438	255	693	200	127,5	313	24,6	37,9
MXV 50-1502 O	1,5	2	M90 V1	50	200	90	438	255	693	200	127,5	313	25,1	38,4
MXV 50-1503/A O	2,2	3	M90 V1	50	200	90	486	311	797	200	137,5	361	26,6	52,2
MXV 50-1504 O	3	4	M100 V1	50	200	90	534	311	845	250	137,5	409	29,0	54,6
MXV 50-1505 O	4	5,5	M112 V1	50	200	90	582	311	893	250	137,5	457	30,5	58,3
MXV 50-1506 O	5,5	7,5	M132 V1	50	200	90	693	339	1032	300	159,5	505	41,5	83,8
MXV 50-1507 O	5,5	7,5	M132 V1	50	200	90	741	339	1080	300	159,5	553	42,9	85,2
MXV 50-1508/A O	5,5	7,5	M132 V1	50	200	90	789	339	1128	300	159,5	601	44,4	86,7
MXV 50-1509 O	7,5	10	M132 V1	50	200	90	837	339	1176	300	159,5	649	45,8	93,5
MXV 50-1510 O	7,5	10	M132 V1	50	200	90	885	339	1224	300	159,5	697	47,3	95,0
MXV 50-2001 O	1,1	1,5	M80 V1	50	200	90	438	255	693	200	127,5	313	24,6	37,9
MXV 50-2002 O	2,2	3	M90 V1	50	200	90	438	295	733	200	127,5	313	25,1	43,2
MXV 50-2003 O	3	4	M100 V1	50	200	90	486	311	797	250	137,5	361	27,6	53,2
MXV 50-2004 O	4	5,5	M112 V1	50	200	90	534	311	832	250	137,5	409	29,0	56,8
MXV 50-2005 O	5,5	7,5	M132 V1	50	200	90	645	339	984	300	159,5	457	40,0	82,3
MXV 50-2006 O	7,5	10	M132 V1	50	200	90	693	339	1032	300	159,5	505	41,5	89,2
MXV 50-2007 O	7,5	10	M132 V1	50	200	90	741	339	1080	300	159,5	553	42,9	90,6
MXV 50-2008 O	9,2	12,5	M160 V1	50	200	90	819	413	1232	350	186	601	50,7	120,7
MXV 50-2009 O	9,2	12,5	M160 V1	50	200	90	867	413	1280	350	186	649	52,1	122,1
MXV 50-2010 O	11	15	M160 V1	50	200	90	915	459	1374	350	186	697	53,6	129,6

## Dimensions and weights

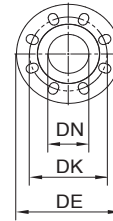
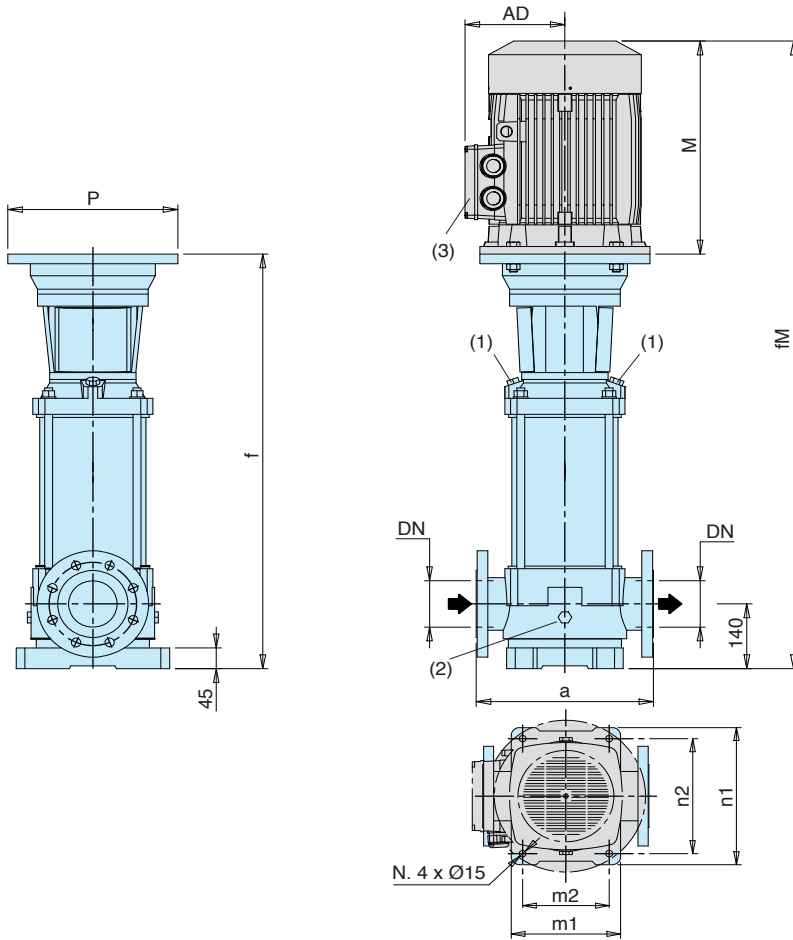


- (1) Filling and air vent
- (2) Air vent suction side
- (3) Draining

Pump	Motor		mm										without motor	with motor
	kW	HP	DN	a	h1	f	(6) M	fM	P	(6) AD	m4	MXV (5) kg (7)	(6) kg (7)	
MXV 65-3202/D	4	5,5	M112 V1	65	320	105	407	311	718	250	137,5	334	45	72,8
MXV 65-3203/C	5,5	7,5	M132 V1	65	320	105	473	339	812	300	159,5	380	51	93,3
MXV 65-3204/C	7,5	10	M132 V1	65	320	105	519	339	858	300	159,5	426	53	100,7
MXV 65-3205/D	11	15	M160 V1	65	320	105	595	459	1054	350	186	472	62	138
MXV 65-3206/D	11	15	M160 V1	65	320	105	641	459	1100	350	186	518	64	140
MXV 65-3207/D	15	20	M160 V1	65	320	105	687	484	1171	350	186	564	66	168
MXV 65-3208/D	15	20	M160 V1	65	320	105	733	484	1217	350	186	610	68	170
MXV 65-3209/E	18,5	25	M160 V1	65	320	105	779	538	1317	350	206	656	70	192
MXV 65-3210/E	18,5	25	M160 V1	65	320	105	825	538	1363	350	206	702	72	194
MXV 65-3212/D	22	30	M180 V1	65	320	105	917	538	1455	350	206	794	75	204
MXV 80-4801/D	4	5,5	M112 V1	80	320	105	411	311	722	250	137,5	338	45	72,8
MXV 80-4802/C	5,5	7,5	M132 V1	80	320	105	466	339	805	300	159,5	373	51	93,3
MXV 80-4803/C	7,5	10	M132 V1	80	320	105	527	339	866	300	159,5	434	54	101,7
MXV 80-4804/D	11	15	M160 V1	80	320	105	618	459	1077	350	186	495	64	140
MXV 80-4805/D	15	20	M160 V1	80	320	105	680	484	1164	350	186	557	66	168
MXV 80-4806/D	15	20	M160 V1	80	320	105	741	484	1225	350	186	618	69	171
MXV 80-4807/E	18,5	25	M160 V1	80	320	105	802	538	1340	350	206	679	72	194
MXV 80-4808/D	22	30	M180 V1	80	320	105	864	538	1402	350	206	741	74	203

(4) Standard position of terminal box. (for other positions rotate motor through 90° or 180°) (5) MXV (L) : + 3 kg      (6) With standard motor      (7) Net weight  
 MXV (H) : + 3 kg

**Dimensions and weights**



**Flanges**

EN 1092-2

DN	PN	DE	DK	Holes	
				N.	Ø
100	16	230	180	8	19
100	25	255	190	8	23

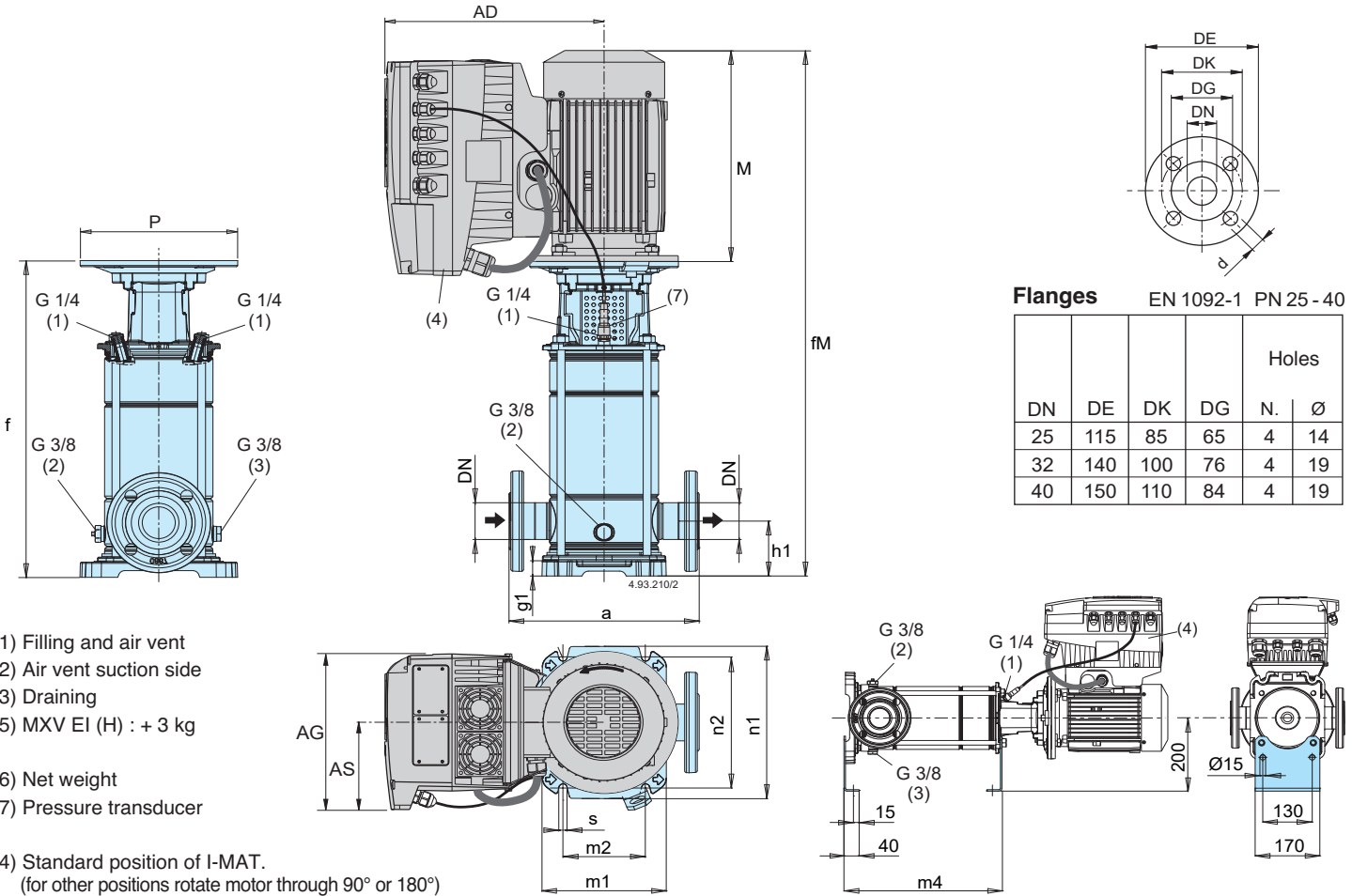
(1) Filling and air vent  
(2) Draining

Pump	Motor				mm										without motor	with motor
	kW	HP	PN	Size	a	f	n1	n2	m1	m2	(4) M	fm	P	AD	MXV kg (5)	(4) kg (5)
MXV 100-6501	5,5	7,5	16	M132 V1	365	737	316	265	240	190	339	1076	300	159,5	81	123,3
MXV 100-6502-2R	7,5	10	16	M132 V1	365	829	316	265	240	190	339	1168	300	159,5	85,5	127,8
MXV 100-6502	11	15	16	M160 V1	365	849	316	265	240	190	459	1308	350	186	88,5	164,5
MXV 100-6503-2R	15	20	16	M160 V1	365	941	316	265	240	190	484	1425	350	186	93	195
MXV 100-6503/A	18,5	25	16	M160 V1	365	941	316	265	240	190	538	1479	350	206	93	215
MXV 100-6504-2R/A	18,5	25	16	M160 V1	365	1033	316	265	240	190	538	1571	350	206	97,5	219,5
MXV 100-6504	22	30	16	M180 V1	365	1033	316	265	240	190	538	1571	350	206	98	227
MXV 100-6505-2R	30	40	16	M200 V1	365	1131	316	265	240	190	636	1767	400	315	105,5	278,5
MXV 100-6505	30	40	16	M200 V1	365	1131	316	265	240	190	636	1767	400	315	105,5	278,5
MXV 100-6506-2R	30	40	16	M200 V1	365	1223	316	265	240	190	636	1859	400	315	110	283
MXV 100-6506	37	50	25	M200 V1	365	1223	316	265	240	190	636	1859	400	315	110	304
MXV 100-6507-2R	37	50	25	M200 V1	365	1315	316	265	240	190	636	1951	400	315	114,5	308,5
MXV 100-6507	45	60	25	M225 V1	365	1315	316	265	240	190	708	2023	450	338	117,5	432,5
MXV 100-6508-2R	45	60	25	M225 V1	365	1407	316	265	240	190	708	2115	450	338	122	437
MXV 100-6508	45	60	25	M225 V1	365	1407	316	265	240	190	708	2115	450	338	122	437
MXV 100-9001-1R	5,5	7,5	16	M132 V1	380	737	341	280	260	199	339	1076	300	159,5	82,5	124,8
MXV 100-9001	7,5	10	16	M132 V1	380	737	341	280	260	199	339	1076	300	159,5	82,5	124,8
MXV 100-9002-2R	11	15	16	M160 V1	380	849	341	280	260	199	459	1308	350	186	89	165
MXV 100-9002	15	20	16	M160 V1	380	849	341	280	260	199	484	1333	350	186	89	191
MXV 100-9003-2R/A	18,5	25	16	M160 V1	380	941	341	280	260	199	538	1479	350	206	93	215
MXV 100-9003	22	30	16	M180 V1	380	941	341	280	260	199	538	1479	350	206	93	222
MXV 100-9004-2R	30	40	16	M200 V1	380	1038	341	280	260	199	636	1674	400	315	100	273
MXV 100-9004	30	40	16	M200 V1	380	1038	341	280	260	199	636	1674	400	315	100	273
MXV 100-9005-2R	37	50	16	M200 V1	380	1131	341	280	260	199	636	1767	400	315	104	298
MXV 100-9005	37	50	16	M200 V1	380	1131	341	280	260	199	636	1767	400	315	104	298
MXV 100-9006-2R	45	60	25	M225 V1	380	1223	341	280	260	199	708	1931	450	338	110,5	425,5
MXV 100-9006	45	60	25	M225 V1	380	1223	341	280	260	199	708	1931	450	338	110,5	425,5

(3) Standard position of terminal box. (for other positions rotate motor through 90° or 180°) (4) With standard motor

(5) Net weight

### Dimensions and weights

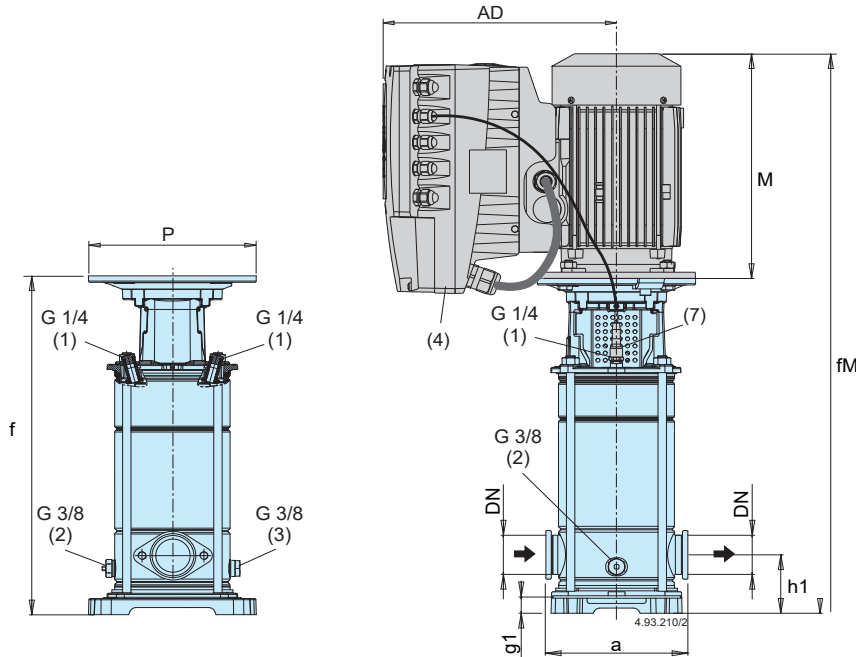


Flanges EN 1092-1 PN 25 - 40

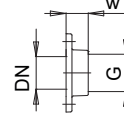
				Holes	
DN	DE	DK	DG	N.	Ø
25	115	85	65	4	14
32	140	100	76	4	19
40	150	110	84	4	19

Pump	Motor		mm																	(5) (6) kg	
	kW	HP	DN	a	h1	f	n1	n2	m1	m2	s	g1	M	fM	P	AD	AG	AS	m4		
MXV EI 25-304	0,75	1	M80 V1	25	250	75	382,5	205	180	165	100	13	35,5	255	637,5	200	286	190	105	283	-
MXV EI 25-305	0,75	1	M80 V1	25	250	75	406,5	205	180	165	100	13	35,5	255	661,5	200	286	190	105	307	-
MXV EI 25-306	1,1	1,5	M80 V1	25	250	75	430,5	205	180	165	100	13	35,5	255	685,5	200	286	190	105	331	-
MXV EI 25-307	1,1	1,5	M80 V1	25	250	75	454,5	205	180	165	100	13	35,5	255	709,5	200	286	190	105	355	-
MXV EI 25-308	1,5	2	M90 V1	25	250	75	478,5	205	180	165	100	13	35,5	255	733,5	200	286	190	105	379	-
MXV EI 25-310	1,5	2	M90 V1	25	250	75	527	205	180	165	100	13	35,5	255	782	200	286	190	105	427,5	-
MXV EI 25-312	2,2	3	M90 V1	25	250	75	575,5	205	180	165	100	13	35,5	295	870,5	200	286	210	118	476	-
MXV EI 25-314	2,2	3	M90 V1	25	250	75	623,5	205	180	165	100	13	35,5	295	918,5	200	286	210	118	524	-
MXV EI 25-316	3	4	M100 V1	25	250	75	672	205	180	165	100	13	35,5	311	983	250	294	210	118	572,5	-
MXV EI 32-504	1,1	1,5	M80 V1	32	250	75	382,5	205	180	165	100	13	35,5	255	637,5	200	286	190	105	283	-
MXV EI 32-505	1,1	1,5	M80 V1	32	250	75	406,5	205	180	165	100	13	35,5	255	661,5	200	286	190	105	307	-
MXV EI 32-506	1,5	2	M90 V1	32	250	75	430,5	205	180	165	100	13	35,5	255	685,5	200	286	190	105	331	-
MXV EI 32-507	1,5	2	M90 V1	32	250	75	454,5	205	180	165	100	13	35,5	255	709,5	200	286	190	105	355	-
MXV EI 32-508	2,2	3	M90 V1	32	250	75	478,5	205	180	165	100	13	35,5	295	773,5	200	286	210	118	379	-
MXV EI 32-510	2,2	3	M90 V1	32	250	75	527	205	180	165	100	13	35,5	295	822	200	286	210	118	427,5	-
MXV EI 32-512	3	4	M100 V1	32	250	75	575,5	205	180	165	100	13	35,5	311	886,5	250	294	210	118	476	-
MXV EI 32-514	3	4	M100 V1	32	250	75	623,5	205	180	165	100	13	35,5	311	934,5	250	294	210	118	524	-
MXV EI 32-516	4	5,5	M112 V1	32	250	75	672	205	180	165	100	13	35,5	311	983	250	294	210	118	572,5	-
MXV EI 40-904	1,5	2	M90 V1	40	280	80	411,5	250	215	190	130	14	30,5	255	666,5	200	286	190	105	312	-
MXV EI 40-905	2,2	3	M90 V1	40	280	80	441,5	250	215	190	130	14	30,5	295	736,5	200	286	210	118	342	-
MXV EI 40-906	2,2	3	M90 V1	40	280	80	471,5	250	215	190	130	14	30,5	295	766,5	200	286	210	118	372	-
MXV EI 40-907	3	4	M100 V1	40	280	80	501,5	250	215	190	130	14	30,5	311	812,5	250	294	210	118	402	-
MXV EI 40-908	3	4	M100 V1	40	280	80	532	250	215	190	130	14	30,5	311	843	250	294	210	118	432,5	-
MXV EI 40-910	4	5,5	M112 V1	40	280	80	592	250	215	190	130	14	30,5	311	903	250	294	210	118	492,5	-
MXV EI 40-911	4	5,5	M112 V1	40	280	80	622	250	215	190	130	14	30,5	311	933	250	294	210	118	522,5	-
MXV EI 40-913	5,5	7,5	M132 V1	40	280	80	769,5	250	215	190	130	14	30,5	339	1108,5	300	321	210	118	583,5	-
MXV EI 40-915	5,5	7,5	M132 V1	40	280	80	830	250	215	190	130	14	30,5	339	1169	300	321	210	118	644	-

### Dimensions and weights



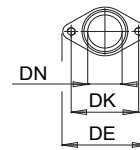
#### Oval Counterflanges



PN 16

DN	G	w	Holes	
			N.	Ø
25	1	23	2	12
32	1 1/4	23	2	12
40	1 1/2	26	2	15

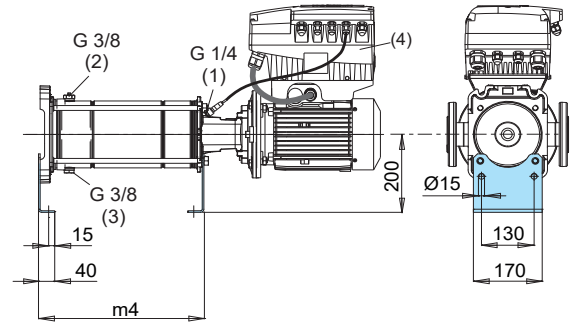
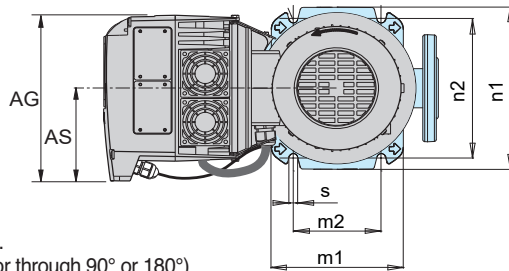
#### Oval Flanges



PN 16

DN	DE	DK	Holes	
			N.	Ø
25	95	75	2	M10
32	95	75	2	M10
40	125	100	2	M12

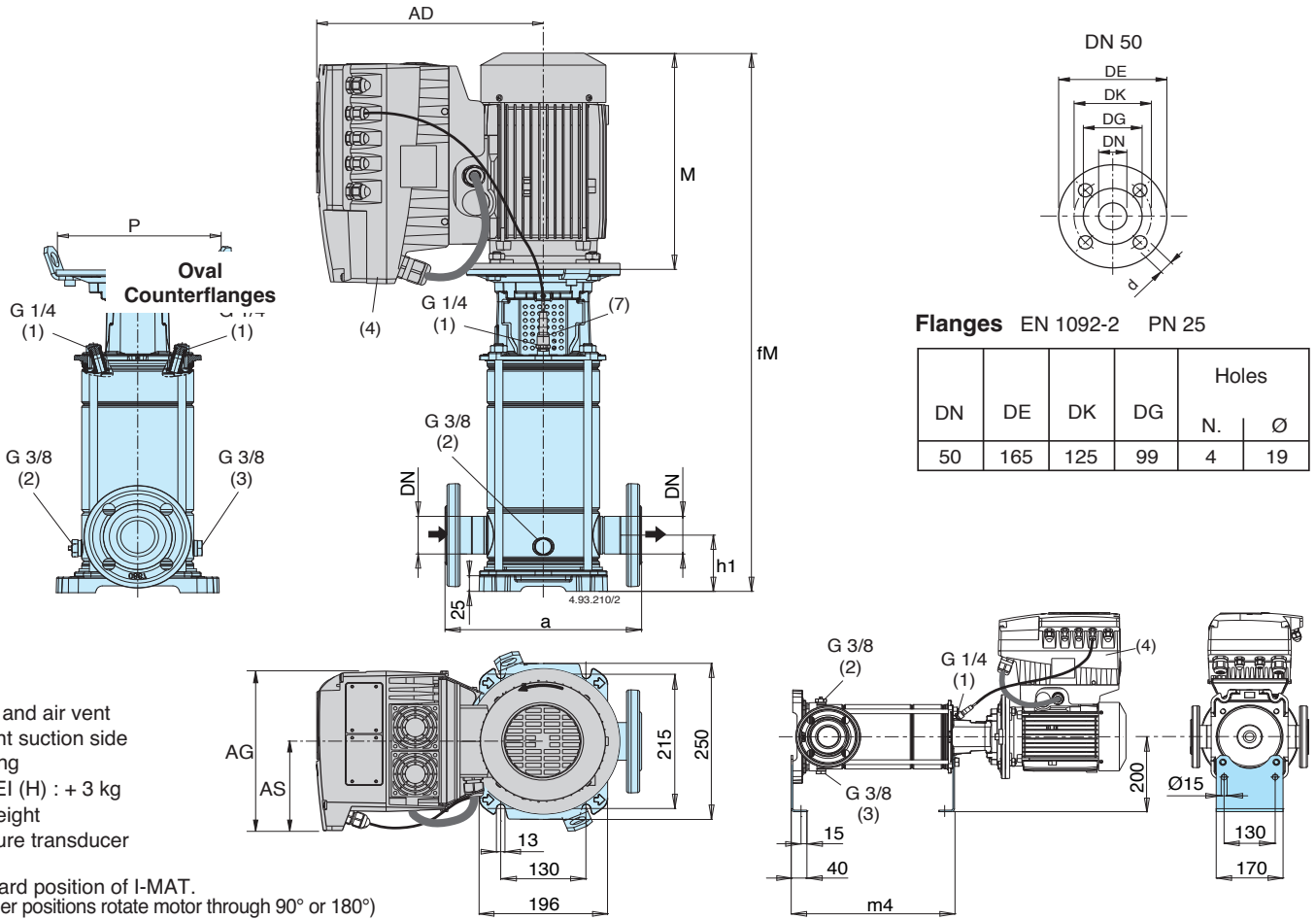
- (1) Filling and air vent
- (2) Air vent suction side
- (3) Draining
- (5) MXV EI (H) : + 3 kg
- (6) Net weight
- (7) Pressure transducer



- (4) Standard position of I-MAT.  
(for other positions rotate motor through 90° or 180°)

Pump	Motor		mm																	(5) (6) kg	
	kW	HP	DN	a	h1	f	n1	n2	m1	m2	s	g1	M	fM	P	AD	AG	AS	m4		
MXV EI 25-304 O	0,75	1	M80 V1	25	160	50	367	205	180	165	100	13	20	255	622	200	286	190	105	268	-
MXV EI 25-305 O	0,75	1	M80 V1	25	160	50	391	205	180	165	100	13	20	255	646	200	286	190	105	292	-
MXV EI 25-306 O	1,1	1,5	M80 V1	25	160	50	415	205	180	165	100	13	20	255	670	200	286	190	105	316	-
MXV EI 25-307 O	1,1	1,5	M80 V1	25	160	50	439	205	180	165	100	13	20	255	694	200	286	190	105	340	-
MXV EI 25-308 O	1,5	2	M90 V1	25	160	50	463	205	180	165	100	13	20	255	718	200	286	190	105	364	-
MXV EI 25-310 O	1,5	2	M90 V1	25	160	50	511,5	205	180	165	100	13	20	255	766,5	200	286	190	105	412,5	-
MXV EI 25-312 O	2,2	3	M90 V1	25	160	50	560	205	180	165	100	13	20	295	855	200	286	210	118	461	-
MXV EI 25-314 O	2,2	3	M90 V1	25	160	50	608	205	180	165	100	13	20	295	903	200	286	210	118	509	-
MXV EI 32-504 O	1,1	1,5	M80 V1	32	160	50	367	205	180	165	100	13	20	255	622	200	286	190	105	267,5	-
MXV EI 32-505 O	1,1	1,5	M80 V1	32	160	50	391	205	180	165	100	13	20	255	646	200	286	190	105	291,5	-
MXV EI 32-506 O	1,5	2	M90 V1	32	160	50	415	205	180	165	100	13	20	255	670	200	286	190	105	315,5	-
MXV EI 32-507 O	1,5	2	M90 V1	32	160	50	439	205	180	165	100	13	20	255	694	200	286	190	105	339,5	-
MXV EI 32-508 O	2,2	3	M90 V1	32	160	50	463	205	180	165	100	13	20	295	758	200	286	210	118	363,5	-
MXV EI 32-510 O	2,2	3	M90 V1	32	160	50	511,5	205	180	165	100	13	20	295	806,5	200	286	210	118	412	-
MXV EI 32-512 O	3	4	M100 V1	32	160	50	560	205	180	165	100	13	20	311	871	250	294	210	118	460,5	-
MXV EI 32-514 O	3	4	M100 V1	32	160	50	608	205	180	165	100	13	20	311	919	250	294	210	118	508,5	-
MXV EI 40-904 O	1,5	2	M90 V1	40	200	80	411,5	250	215	190	130	14	30,5	255	666,5	200	286	190	105	312	-
MXV EI 40-905 O	2,2	3	M90 V1	40	200	80	441,5	250	215	190	130	14	30,5	295	736,5	200	286	210	118	342	-
MXV EI 40-906 O	2,2	3	M90 V1	40	200	80	471,5	250	215	190	130	14	30,5	295	766,5	200	286	210	118	372	-
MXV EI 40-907 O	3	4	M100 V1	40	200	80	501,5	250	215	190	130	14	30,5	311	812,5	250	294	210	118	402	-
MXV EI 40-908 O	3	4	M100 V1	40	200	80	532	250	215	190	130	14	30,5	311	843	250	294	210	118	432,5	-
MXV EI 40-910 O	4	5,5	M112 V1	40	200	80	592	250	215	190	130	14	30,5	311	903	250	294	210	118	492,5	-
MXV EI 40-911 O	4	5,5	M112 V1	40	200	80	622	250	215	190	130	14	30,5	311	933	250	294	210	118	522,5	-
MXV EI 40-913 O	5,5	7,5	M132 V1	40	200	80	769,5	250	215	190	130	14	30,5	339	1108,5	300	321	210	118	583,5	-

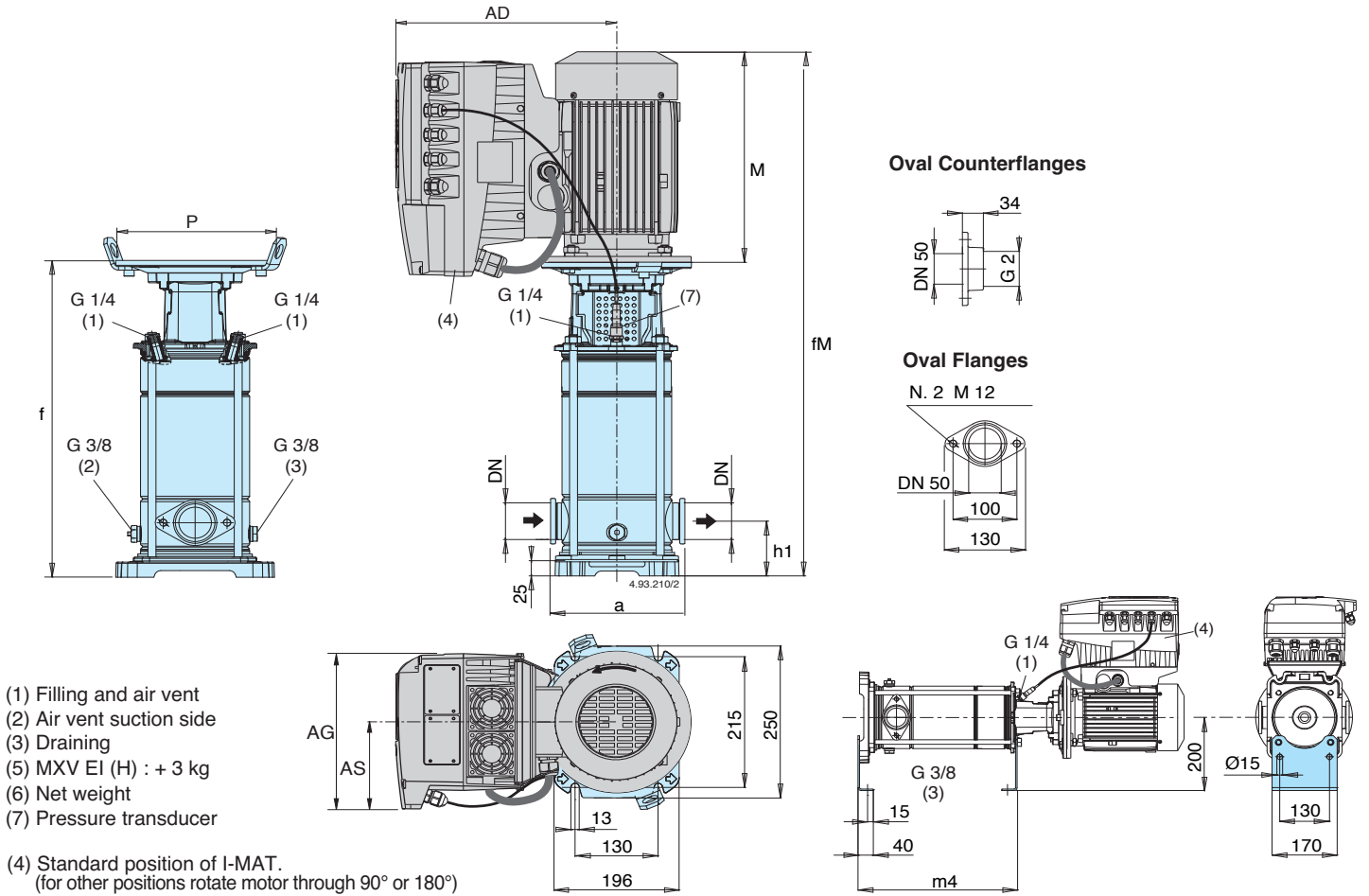
### Dimensions and weights



Pump	Motor			mm											(5) (6) kg
	kW	HP		DN	a	h1	f	M	fM	P	AD	AG	AS	m4	
MXV EI 50-1501	1,1	1,5	M80 V1	50	300	90	438	255	693	200	286	190	105	313	47,1
MXV EI 50-1502	1,5	2	M90 V1	50	300	90	438	255	693	200	286	190	105	313	47,6
MXV EI 50-1503/A	2,2	3	M90 V1	50	300	90	486	311	797	200	294	210	118	361	62,5
MXV EI 50-1504	3	4	M100 V1	50	300	90	534	311	845	250	294	210	118	409	64,9
MXV EI 50-1505	4	5,5	M112 V1	50	300	90	582	311	893	250	294	210	118	457	69,1
MXV EI 50-1506	5,5	7,5	M132 V1	50	300	90	693	339	1032	300	321	210	118	505	94,6
MXV EI 50-1507	5,5	7,5	M132 V1	50	300	90	741	339	1080	300	321	210	118	553	96,0
MXV EI 50-1508/A	5,5	7,5	M132 V1	50	300	90	789	339	1128	300	368	281	153	601	97,5
MXV EI 50-1509	7,5	10	M132 V1	50	300	90	837	339	1176	300	368	281	153	649	111,1
MXV EI 50-1510	7,5	10	M132 V1	50	300	90	885	339	1224	300	368	281	153	697	112,6
MXV EI 50-1511	9,2	12,5	M160 V1	50	300	90	963	413	1376	350	393	281	153	745	145
MXV EI 50-1512	9,2	12,5	M160 V1	50	300	90	1011	413	1424	350	393	281	153	793	146,5
MXV EI 50-1513	11	15	M160 V1	50	300	90	1059	459	1518	350	393	281	153	841	151,5
MXV EI 50-1514	11	15	M160 V1	50	300	90	1107	459	1566	350	393	281	153	889	153,0
MXV EI 50-1515	11	15	M160 V1	50	300	90	1155	459	1614	350	393	281	153	937	154,5
MXV EI 50-1516	15	20	M160 V1	50	300	90	1203	484	1687	350	471	350	190	985	202,1
MXV EI 50-1517	15	20	M160 V1	50	300	90	1251	484	1735	350	471	350	190	1033	203,6
MXV EI 50-2001	1,1	1,5	M80 V1	50	300	90	438	255	693	200	286	190	105	313	47,1
MXV EI 50-2002	2,2	3	M90 V1	50	300	90	438	295	733	200	286	210	118	313	53,0
MXV EI 50-2003	3	4	M100 V1	50	300	90	486	311	797	250	294	210	118	361	63,4
MXV EI 50-2004	4	5,5	M112 V1	50	300	90	534	311	845	250	294	210	118	409	67,6
MXV EI 50-2005	5,5	7,5	M132 V1	50	300	90	645	339	984	300	321	210	118	457	93,1
MXV EI 50-2006	7,5	10	M132 V1	50	300	90	693	339	1032	300	368	281	153	505	106,8
MXV EI 50-2007	7,5	10	M132 V1	50	300	90	741	339	1080	300	368	281	153	553	108,2
MXV EI 50-2008	9,2	12,5	M160 V1	50	300	90	819	413	1232	350	393	281	153	601	140,7
MXV EI 50-2009	9,2	12,5	M160 V1	50	300	90	867	413	1280	350	393	281	153	649	142,1
MXV EI 50-2010	11	15	M160 V1	50	300	90	915	459	1374	350	393	281	153	697	147,2
MXV EI 50-2011	11	15	M160 V1	50	300	90	963	459	1422	350	393	281	153	745	148,6
MXV EI 50-2012	15	20	M160 V1	50	300	90	1011	484	1495	350	471	350	190	793	196,3
MXV EI 50-2013	15	20	M160 V1	50	300	90	1059	484	1543	350	471	350	190	841	197,7
MXV EI 50-2014	15	20	M160 V1	50	300	90	1107	484	1591	350	471	350	190	889	199,2
MXV EI 50-2015	15	20	M160 V1	50	300	90	1155	484	1639	350	471	350	190	937	200,7
MXV EI 50-2016	18,5	25	M160 V1	50	300	90	1203	538	1741	350	491	350	190	985	222,1

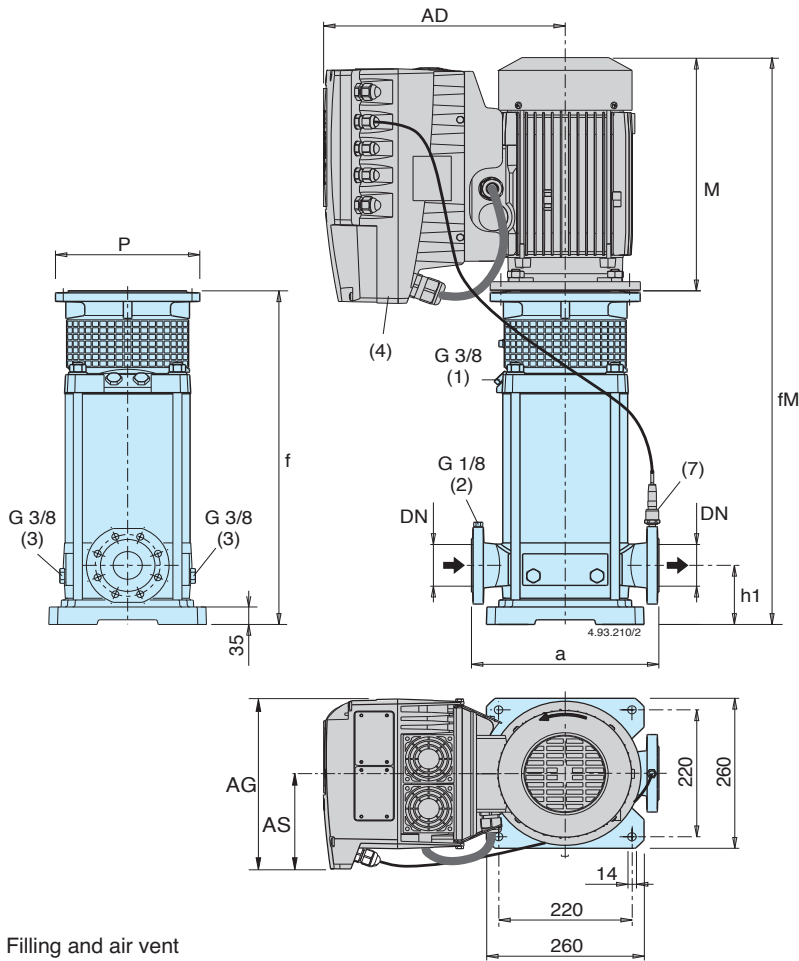


### Dimensions and weights

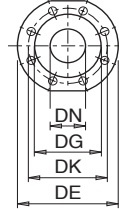


Pump	Motor			mm											(5) (6) kg
	kW	HP		DN	a	h1	f	M	fM	P	AD	AG	AS	m4	
MXV EI 50-1501 O	1,1	1,5	M80 V1	50	200	90	438	255	693	200	286	190	105	313	44,3
MXV EI 50-1502 O	1,5	2	M90 V1	50	200	90	438	255	693	200	286	190	105	313	44,8
MXV EI 50-1503/A O	2,2	3	M90 V1	50	200	90	486	311	797	200	294	210	118	361	59,7
MXV EI 50-1504 O	3	4	M100 V1	50	200	90	534	311	845	250	294	210	118	409	62,1
MXV EI 50-1505 O	4	5,5	M112 V1	50	200	90	582	311	893	250	294	210	118	457	66,3
MXV EI 50-1506 O	5,5	7,5	M132 V1	50	200	90	693	339	1032	300	321	210	118	505	91,8
MXV EI 50-1507 O	5,5	7,5	M132 V1	50	200	90	741	339	1080	300	321	210	118	553	93,2
MXV EI 50-1508/A O	5,5	7,5	M132 V1	50	200	90	789	339	1128	300	368	281	153	601	95,2
MXV EI 50-1509 O	7,5	10	M132 V1	50	200	90	837	339	1176	300	368	281	153	649	108,3
MXV EI 50-1510 O	7,5	10	M132 V1	50	200	90	885	339	1224	300	368	281	153	697	109,8
MXV EI 50-2001 O	1,1	1,5	M80 V1	50	200	90	438	255	693	200	286	190	105	313	44,3
MXV EI 50-2002 O	2,2	3	M90 V1	50	200	90	438	295	733	200	286	210	118	313	50,2
MXV EI 50-2003 O	3	4	M100 V1	50	200	90	486	311	797	250	294	210	118	361	60,7
MXV EI 50-2004 O	4	5,5	M112 V1	50	200	90	534	311	845	250	294	210	118	409	64,8
MXV EI 50-2005 O	5,5	7,5	M132 V1	50	200	90	645	339	984	300	321	210	118	457	90,3
MXV EI 50-2006 O	7,5	10	M132 V1	50	200	90	693	339	1032	300	368	281	153	505	104,0
MXV EI 50-2007 O	7,5	10	M132 V1	50	200	90	741	339	1080	300	368	281	153	553	105,4
MXV EI 50-2008 O	9,2	12,5	M160 V1	50	200	90	819	413	1232	350	393	281	153	601	137,9
MXV EI 50-2009 O	9,2	12,5	M160 V1	50	200	90	867	413	1280	350	393	281	153	649	139,3
MXV EI 50-2010 O	11	15	M160 V1	50	200	90	915	459	1374	350	393	281	153	697	144,4

### Dimensions and weights

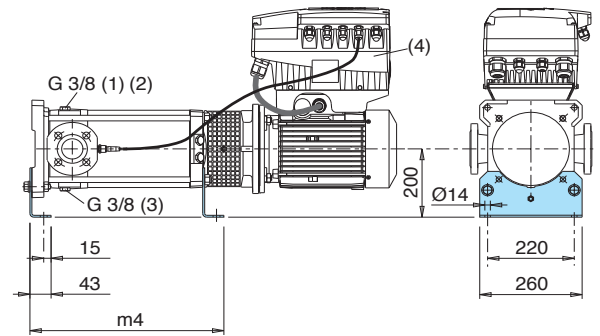


DN 65-80



Flanges in accordance  
EN 1092-2 PN 25 - 40

DN	DE	DK	DG	Holes	
				N.	Ø
65	185	145	118	8	19
80	200	160	132	8	19

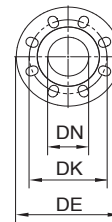
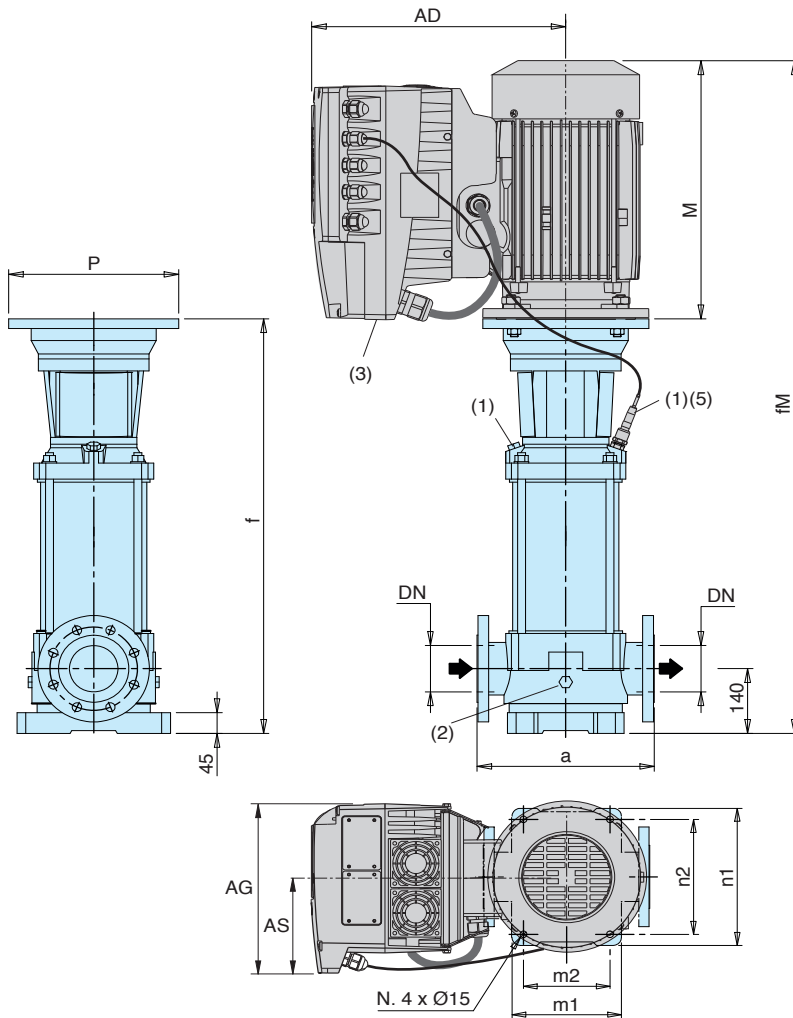


- (1) Filling and air vent
- (2) Air vent suction side
- (3) Draining
- (4) Standard position of I-MAT  
(for other positions rotate motor through 90° or 180°)

- (5) MXV (L) : + 3 kg, MXV (H) : + 3 kg
- (6) Net weight (7) Pressure transducer

Pump	Motor			mm											MXV EI (5) kg (6)
	kW	HP		DN	a	h1	f	M	fM	P	AD	AG	AS	m4	
MXV EI 65-3202/D	4	5,5	M112 V1	65	320	105	407	311	718	250	294	210	118	334	80,8
MXV EI 65-3203/C	5,5	7,5	M132 V1	65	320	105	473	339	812	300	321	210	118	380	101,3
MXV EI 65-3204/C	7,5	10	M132 V1	65	320	105	519	339	858	300	368	281	153	426	115,5
MXV EI 65-3205/D	11	15	M160 V1	65	320	105	595	459	1054	350	393	281	153	472	152,8
MXV EI 65-3206/D	11	15	M160 V1	65	320	105	641	459	1100	350	393	281	153	518	154,8
MXV EI 65-3207/D	15	20	M160 V1	65	320	105	687	484	1171	350	471	350	190	564	203
MXV EI 65-3208/D	15	20	M160 V1	65	320	105	733	484	1217	350	471	350	190	610	205
MXV EI 65-3209/E	18,5	25	M160 V1	65	320	105	779	538	1317	350	491	350	190	656	227
MXV EI 65-3210/E	18,5	25	M160 V1	65	320	105	825	538	1363	350	491	350	190	702	229
MXV EI 65-3212/D	22	30	M180 V1	65	320	105	917	538	1455	350	491	350	190	794	239
MXV EI 80-4801/D	4	5,5	M112 V1	80	320	105	411	311	722	250	294	210	118	338	80,8
MXV EI 80-4802/C	5,5	7,5	M132 V1	80	320	105	466	339	805	300	321	210	118	373	101,3
MXV EI 80-4803/C	7,5	10	M132 V1	80	320	105	527	339	866	300	368	281	153	434	116,5
MXV EI 80-4804/D	11	15	M160 V1	80	320	105	618	459	1077	350	393	281	153	495	154,8
MXV EI 80-4805/D	15	20	M160 V1	80	320	105	680	484	1164	350	471	350	190	557	203
MXV EI 80-4806/D	15	20	M160 V1	80	320	105	741	484	1225	350	471	350	190	618	206
MXV EI 80-4807/E	18,5	25	M160 V1	80	320	105	802	538	1340	350	491	350	190	679	229
MXV EI 80-4808/D	22	30	M180 V1	80	320	105	864	538	1402	350	491	350	190	741	238

### Dimensions and weights



Flanges in accordance EN 1092-2

DN	PN	DE	DK	Holes	
				N.	Ø
100	16	230	180	8	19
100	25	225	190	8	23

- (1) Filling and air vent
- (2) Draining
- (3) Standard position of I-MAT  
(for other positions rotate motor through 90° or 180°)
- (4) Net weight
- (5) Pressure transducer

Pump	Motor				mm												MXV EI kg (4)
	kW	HP	PN	Size	a	f	n1	n2	m1	m2	M	fm	P	AD	AG	AS	
MXV EI 100-6501	5,5	7,5	16	M132 V1	365	737	316	265	240	190	339	1076	300	321	210	118	131,3
MXV EI 100-6502-2R	7,5	10	16	M132 V1	365	829	316	265	240	190	339	1168	300	368	281	153	142,6
MXV EI 100-6502	11	15	16	M160 V1	365	849	316	265	240	190	459	1308	350	393	281	153	179,3
MXV EI 100-6503-2R	15	20	16	M160 V1	365	941	316	265	240	190	484	1425	350	471	350	190	230
MXV EI 100-6503/A	18,5	25	16	M160 V1	365	941	316	265	240	190	538	1479	350	491	350	190	250
MXV EI 100-6504-2R/A	18,5	25	16	M160 V1	365	1033	316	265	240	190	538	1571	350	4-1	350	190	254,5
MXV EI 100-6504	22	30	16	M180 V1	365	1033	316	265	240	190	538	1571	350	491	350	190	262
MXV EI 100-9001-1R	5,5	7,5	16	M132 V1	380	737	341	280	260	199	339	1076	300	321	210	118	132,8
MXV EI 100-9001	7,5	10	16	M132 V1	380	737	341	280	260	199	339	1076	300	368	281	153	139,6
MXV EI 100-9002-2R	11	15	16	M160 V1	380	849	341	280	260	199	459	1308	350	393	281	153	179,8
MXV EI 100-9002	15	20	16	M160 V1	380	849	341	280	260	199	484	1333	350	471	350	190	226
MXV EI 100-9003-2R/A	18,5	25	16	M160 V1	380	941	341	280	260	199	538	1479	350	491	350	190	250
MXV EI 100-9003	22	30	16	M180 V1	380	941	341	280	260	199	538	1479	350	491	350	190	257

### Features

#### Long Service Life with Standard Motor

Pump with thrust bearing without additional axial loads on the motor bearings. Any standard motor V1 design (suitable to be lifted in vertical position) can be used, of our choice or of Client's choice.

#### Easy Assembly of the Motor

With the single-piece sleeve coupling the pump unit can be supplied fully assembled also without the motor. This eliminates the risk of damage caused by shifting of the pump shaft during transportation.

The motor is simply inserted in the coupling and fastened to the flange without the necessity for adapting the axial position of the pump shaft.

#### Removable mechanical Seal

Easy removal of the mechanical seal without dismantling the motor (for MXV 25,32,40,50 and MXV 100 with motors exceeding 4 KW).



#### Extra Safety

Single-piece coupling guard to be removed only by means of a tool, positioned around the lantern bracket, thus avoiding accidental pushing and rubbing against the coupling.

#### Low Cost Installation

Vertical construction with reduced pump height for installation in small spaces.

In-line connections to simplify the piping layout with the possibility of inserting the pump in straight pipe-lines.

Disassembly, inspection or cleaning of internal parts without removal of piping.

#### Robust and Reliable

Single PN 25 construction for all pump sizes.

The suction and discharge nozzles arranged in-line absorb the forces of the piping on the pump without the creation of distorting loads causing local friction and early wears.

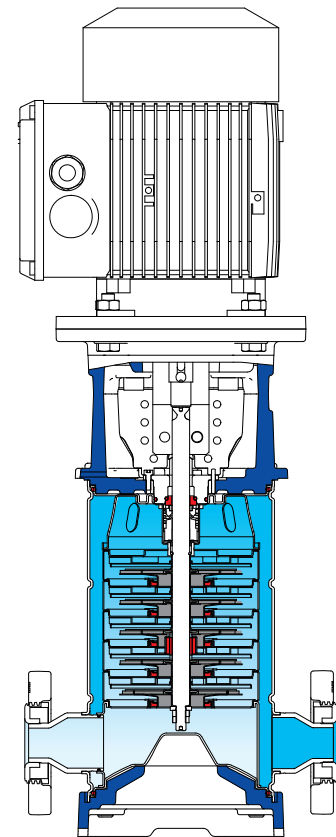
The lantern brackets compact and robust design maintains a sure alignment between rotating and fixed parts, reducing vibration.

The upper cover design prevents entrapment of air around the mechanical seal.

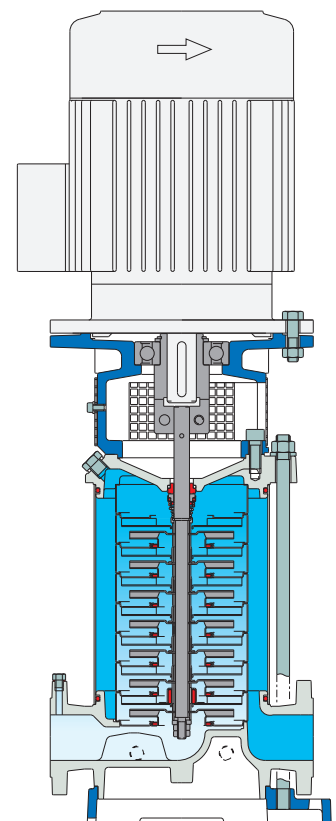
#### Low-Noise Operation

The water filled shroud around the stages and thick external walls, work together for low-noise operation.

Low-noise standard motor.



**MXV 25, 32, 40, 50**



**MXV 65, 80**



### Construction

Vertical multi-stage pumps with suction and delivery connections of the same diameter and arranged along the same axis (in-line). Corrosion-resistant bearing sleeves lubricated by the pumped liquid. Removal of the mechanical seal without dismantling the motor (for MXVL 25, 32, 40, 50, 100 with motors exceeding 4 kW). A pump with thrust bearing and sleeve coupling for use of any standard motor with IM V1 construction.

**Version with frequency converter** (on request)

### Applications

For water supply systems. For clean non-explosive liquids, without solid, filamentary or abrasive matter (with adaptation of sealing materials on request). A universal pump for civil and industrial use, for pressure-boosting systems, fire-extinguishing systems, high-pressure washing plants, irrigation, agricultural uses and sport installations.

### Operating conditions

Temperature of liquid: from -15 °C to +110 °C (up to +120 °C for MXVL 50).

Operating environment temperature: up to 40 °C.

Maximum permissible pressure in pump casing: 25 bar. (16 bar for pumps with oval flanges).

### Motor

Standard-type: 2-pole induction motor, 50 Hz (n ≈ 2900 rpm). Construction IM V1 (EN 60034-7).

Motor suitable for operation with frequency converter.

**Classification scheme IE3 for three-phase motors.**

Insulation class F.

Protection IP 55.

three-phase with rated voltage: up to 3 kW 230/400 V;  
from 4 kW 400/690 V.

The electropumps MXVL series comply with the European Regulation no. 547/2012.

## MXVL 25, 32, 40, 50

All parts that come into contact with the liquid, including wet-end covers, are in chrome-nickel-molybdenum stainless steel AISI 316L.

### Materials (wetted parts)

Component	Material
Flange	Stainless Steel 1.4404 EN 10088 (AISI 316L)
External jacket	
Suction casing	
Delivery casing	
Stage casing	
Impeller	
Lower cover	
Upper cover	
Spacer sleeve	
Pump shaft	Stainless Steel 1.4404 EN 10088 (AISI 316L)
Plug	
Bearing sleeve	Corrosion-resistant, cemented carbide Ceramic alumina
Bearing in stage casing	
Mechanical seal ISO 3069 - KU	Hard metal/Carbon/EPDM.
Wear ring	PPS (PTFE for MXVL 40)
O-rings	NBR (EPDM for MXVL 50)

**Direction of rotation:** clockwise as seen from the motor.

### Variants (to be specified when ordering)

- Pump with flanged ports (F).
- Pump with oval flange ports (O) (for MXVL 25, 32, 40, 50).
- Pump without motor.
- Pump with standard motor.

### Other variants (on request)

- With counter-flanges in chrome-nickel steel.
- O-rings FPM. Other mechanical seal.
- Pump with motor of Client's choice (if available).
- Single-phase motor 230 V, up to 2.2 kW.
- Other voltage ratings.
- Frequency 60 Hz.

## MXVL 65, 80, 100

Internal parts in contact with the liquid with pump casing and upper cover in chrome-nickel-molybdenum stainless steel AISI 316L.

### Materials (wetted parts)

Component	Material
Pump casing	Stainless Steel 1.4404 EN 10088 (AISI 316L)
Upper cover	
External jacket	Stainless Steel 1.4404 EN 10088 (AISI 316L)
Stage casing	
Impeller	
Spacer sleeve	
Pump shaft	Stainless Steel (AISI 316L)(AISI 329 for MXVL 100) Stainless Steel 1.4404 EN 10088 (AISI 316L)
Plug	
Bearing sleeve	Corrosion-resistant, cemented carbide Ceramic alumina (Corrosion-resistant, cemented carbide for MXVL 100)
Bearing in stage casing	
Mechanical seal ISO 3069 - KU	Hard metal/Carbon/EPDM
Wear ring	PTFE
O-rings	NBR (EPDM for MXV 100)

**Direction of rotation:** anticlockwise as seen from the motor. (clockwise as seen from the motor for MXVL 100)

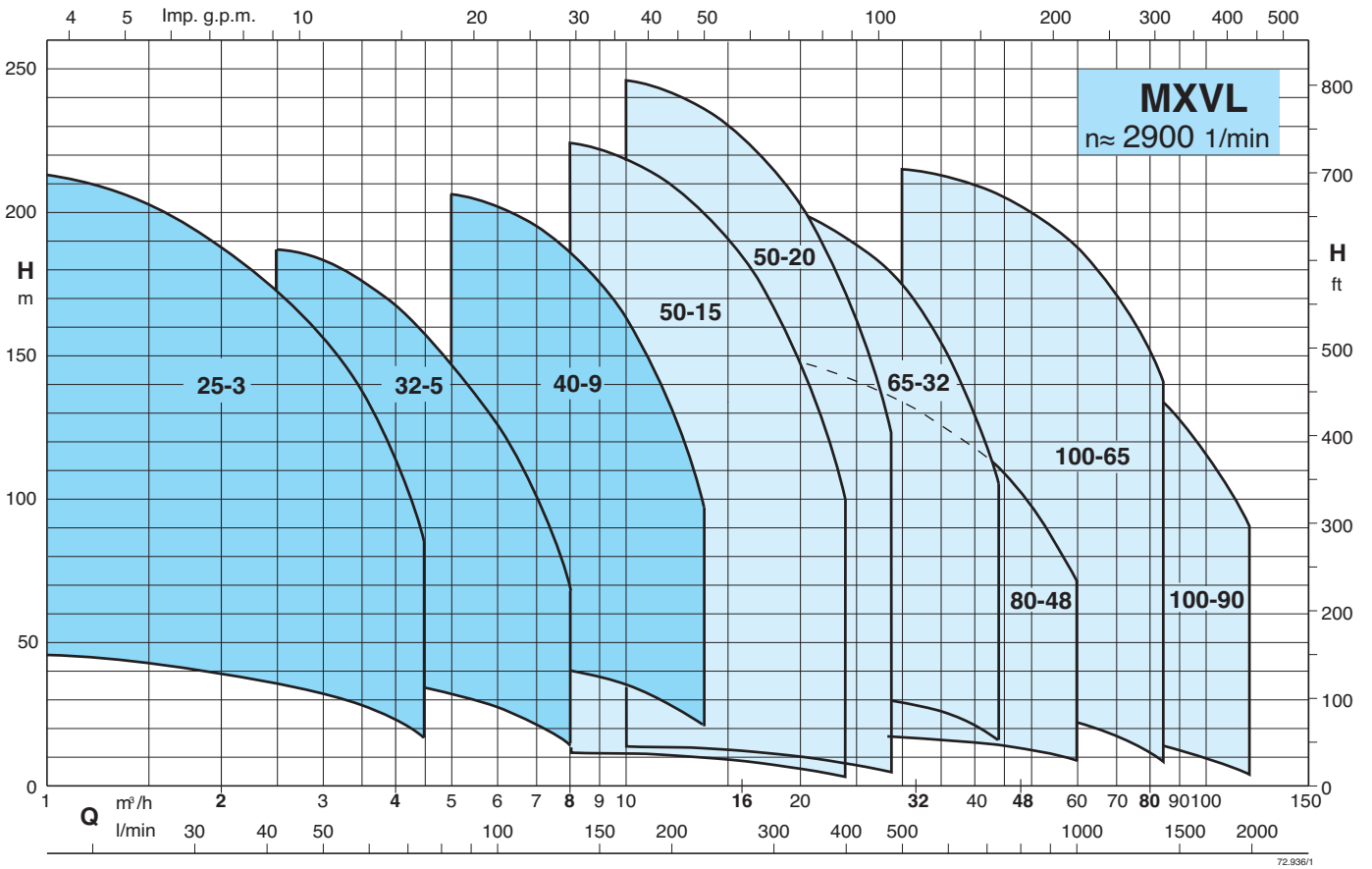
### Variants (to be specified when ordering)

- Pump without motor.
- Pump with standard motor.

### Other variants (on request)

- O-rings FPM. Other mechanical seal.
- Pump with motor of Client's choice (if available).
- Other voltage ratings.
- Frequency 60 Hz.
- Pump with support feet for horizontal installation (H1 or H2).
- Support feet for horizontal installation, set.
- Welding counter-flanges, PN 25 (steel).

### Coverage chart



For characteristic curves, dimensions and weights see MXV



### Construction

Self-draining, single-impeller pumps, with motor insulated from pumped water, constructed with high quality, corrosion-proof plastic materials, with stainless steel diffuser.  
Compact design (158 mm wide).

#### PVC pipe connections:

Ports for cementing joint, with external thread for union coupling.

### Applications

For spas, hydromassage bathtubs and whirlpool baths.

### Operating conditions

Water temperature up to 60 °C.  
Room temperature up to 40 °C.  
Maximum permissible pressure in the pump casing: 2,5 bar.  
Continuous duty.

### Motor

2-pole induction motor, 50 Hz ( $n \approx 2800$  rpm).

**SPA:** three-phase 230/400 V  $\pm 10\%$ .

**SPAM:** single-phase 230 V  $\pm 10\%$ , with thermal protector.  
Capacitor inside the terminal box.

Insulation class F.

Protection IP X5.

**Classification scheme IE3 for three-phase motors from 0,75 kW.**

Constructed in accordance with: EN 60034-1; EN 60034-30-1.  
EN 60335-1, EN 60335-2-60.

### Special features on request

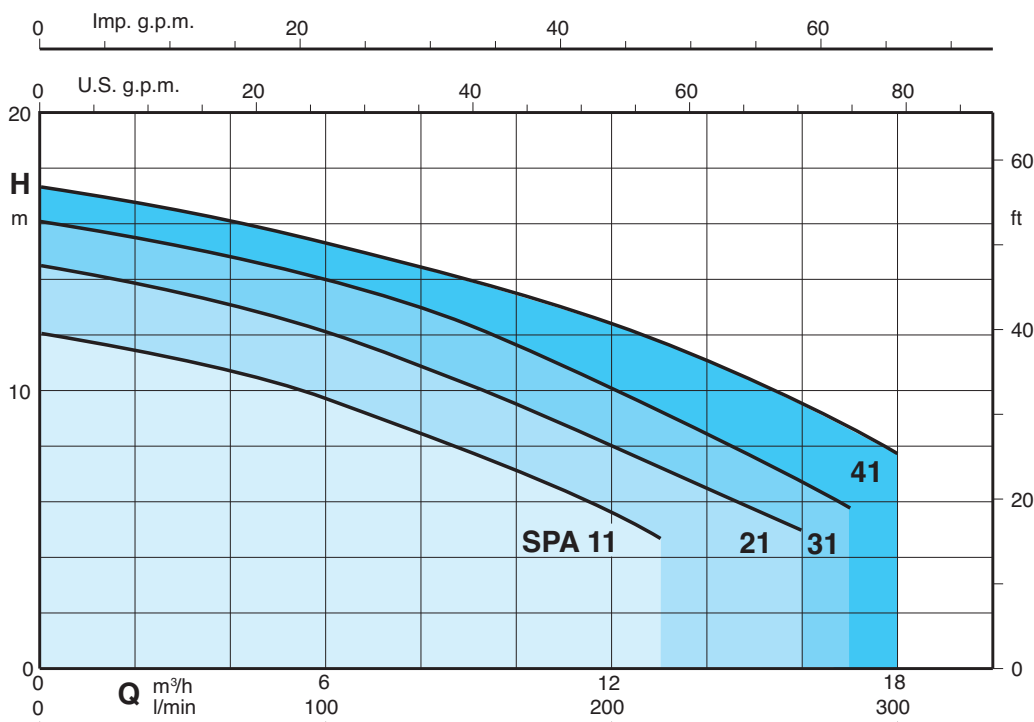
- Other voltages.
- Frequency 60 Hz (as per 60 Hz data sheet).

### Materials

Component	Material
Pump casing Union coupling	ABS (Acrylonitrile-Butadiene-Styrene)
Diffuser cover Impeller	Glass reinforced thermoplastic: PPO-GF30, NORYL*
Diffuser-wall with wear-ring	Cr-Ni-Mo stainless steel 1.4401 EN 10088 (AISI 316)
Mechanical seal	Ceramic alumina, Carbon, FPM

\* Trademark of General Electric

### Coverage chart $n \approx 2800$ rpm



### Performance $n \approx 2800$ rpm

	3~ 230 V 400 V		1~ 230 V	P <sub>1</sub>	P <sub>2</sub>		Q											
	A	A			A	kW		kW	HP	m <sup>3</sup> /h	0	3	6	9	12	13	16	17
SPA 11	2,8	1,6	SPA 11	3,3	0,73	0,45	0,6	H	12	11,1	9,7	7,8	5,6	4,7				
SPA 21/A	3	1,7	SPA 21/A	4,5	1	0,55	0,75		14,5	13,4	12,1	10,2	7,9	7,2	5			
SPA 31/B	3,7	2,2	SPA 31/A	5,4	1,2	0,75	1		16,1	15,2	13,9	12,4	10,2	9,3	6,8	5,8		
SPA 41/A	4,7	2,7	SPA 41	7	1,6	1,1	1,5		17,3	16,5	15,3	14	12,4	11,8	9,5	8,6	7,7	

P<sub>1</sub> Max. power input.

P<sub>2</sub> Rated motor power output.

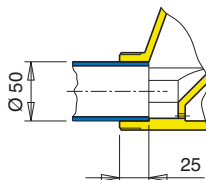
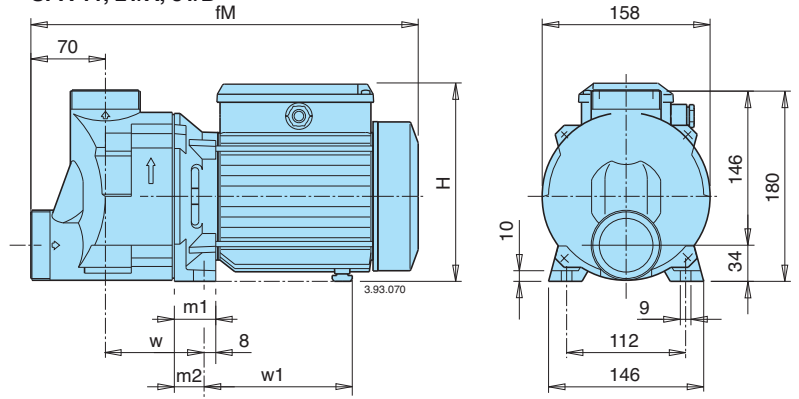
H Total head in m.

Tolerances in accordance with UNI EN ISO 9906:2012

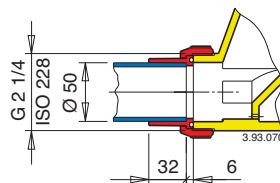
### Dimensions and weights

Type	mm						kg	
	fM	H	m1	m2	w1	w	SPA	SPAM
SPA 11	339	176	34	26	122	97	6,7	6,8
SPA 21/A	371	191	39	31	136	102	8	9
SPA 31/B	371	191	39	31	136	102	9,8	10

SPA 11, 21/A, 31/B

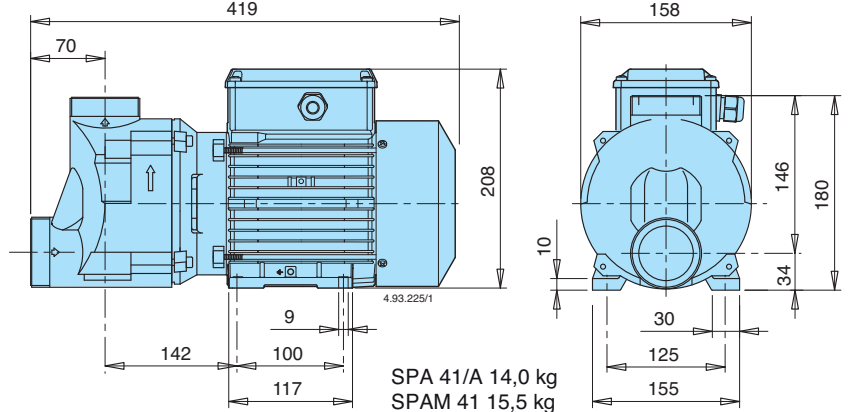


Cemented joint.



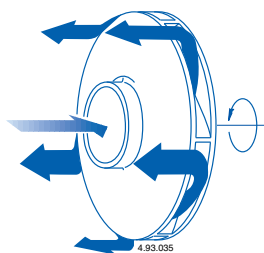
Threaded union coupling.

SPA 41/A

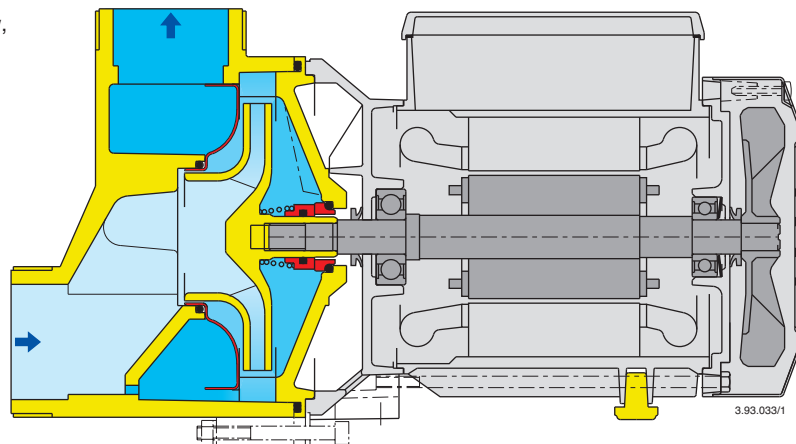


### Features

Diffuser with peripheral-longitudinal flow, of stainless steel for **extra reliability**.



Mechanical seal without contact with the shaft, for **extra safety**.





# MPC

Compact Pool

## Self-Priming Swimming Pool Pumps



### Construction

Self-priming swimming pool pumps with built-in strainer and motor insulated from pumped water.

The pump is made with high quality plastic materials, corrosion and sand erosion resistant.

With stainless steel diffuser.

Base-plate kit.

### Applications

- For water circulation in swimming pool filtration systems.
- For clean or slightly dirty water with solids in suspension.

### Operating conditions

Water temperature up to 60 °C.

Ambient temperature up to 40 °C.

Maximum permissible pressure in the pump casing 2,5 bar.

Continuous duty.

### Motor

2-pole induction motor, 50 Hz (n ≈ 2800 rpm).

**MPC:** three-phase 230/400 V ± 10%.

**MPCM:** single-phase 230 V ± 10%, with thermal protector.  
Capacitor inside the terminal box.

Insulation class F.

Protection IP X4.

**Classification scheme IE3 for three-phase motors from 0,75 kW.**

Constructed in accordance with: EN 60034-1; EN 60034-30-1.

EN 60335-1, EN 60335-2-41.

### Materiali

Component	Material
Pump casing	Glass reinforced
Diffuser cover	thermoplastic
Impeller	PPO-GF30, NORYL
Strainer cover	Transparent polycarbonate, LEXAN
Strainer basket	Polypropylene
Diffuser funnel and wear-ring	Cr-Ni-Mo steel AISI 316
Mechanical seal	Ceramic alumina, Carbon, FPM

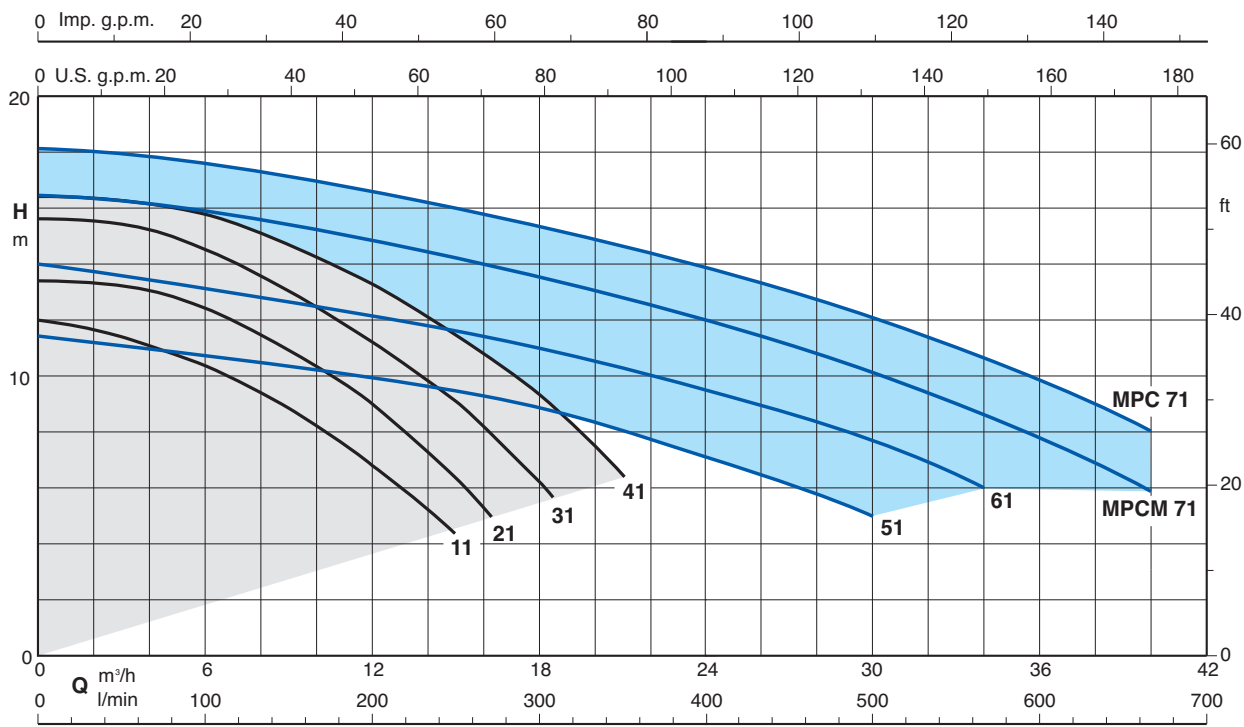
### Special features on request

- Other voltages.
- Frequency 60 Hz (as per 60 Hz data sheet).

### Certification marks for MPCM, up to 1,5 kW:



### Coverage chart n ≈ 2800 rpm



### Performance $n \approx 2800$ rpm

	3~ 230 V 400 V		1~ 230 V P <sub>1</sub>		P <sub>2</sub>		Q									
	A	A	A	kW	kW	HP		m <sup>3</sup> /h	0	3	6	9	12	15	18	21
MPC 11	2,8	1,6	MPCM 11	3,3	0,73	0,37	0,5	0	0	50	100	150	200	250	300	350
MPC 21/A	3	1,7	MPCM 21/A	4,5	1	0,55	0,75	H	11,9	11,4	10,3	8,9	6,8	4,2		
MPC 31/B	3,7	2,2	MPCM 31/A	5,4	1,2	0,75	1	m	13,4	13,3	12,4	10,9	9	6,3		
MPC 41/A	4,7	2,7	MPCM 41	7	1,6	1,1	1,5		15,6	15,5	14,5	13	11,2	9,1	6,2	
									16,4	16,2	15,8	14,7	13,3	11,4	9,3	6,4

	3~ 230 V 400 V		1~ 230 V P <sub>1</sub>		P <sub>2</sub>		Q												
	A	A	A	kW	kW	HP		m <sup>3</sup> /h	0	3	9	15	18	21	24	27	30	34	40
MPC 51/A	4,7	2,7	MPCM 51	7	1,6	1,1	1,5	0	0	50	150	250	300	350	400	450	500	567	667
MPC 61/A	6,2	3,6	MPCM 61	9,2	2	1,5	2	H	11,5	11	10,5	9,5	9	8	7	6	5		
			MPCM 71/B	11,2	2,5	1,8	2,5	m	14	13,5	12,5	11,5	11	10,5	9,5	8,5	7,5	6	
MPC 71/B	9,15	5,3				2,2	3		16,4	15,9	14,9	14	13,4	12,7	12,1	11,3	10,2	8,5	5,8
									18,2	18	17	16	15,5	14,5	14	13	12	10,5	8

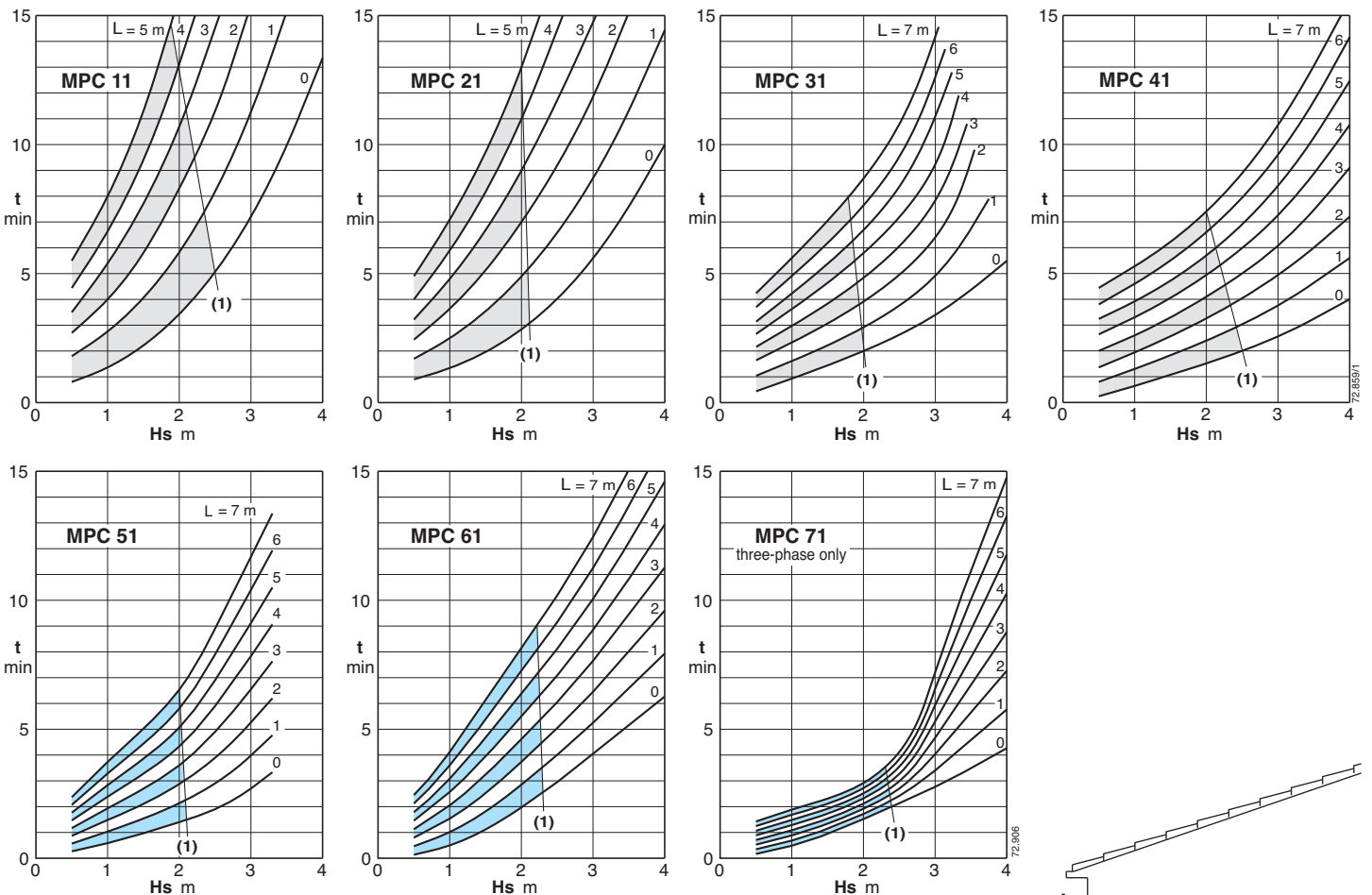
P<sub>1</sub> Max. power input.

P<sub>2</sub> Rated motor power output.

H Total head in m.

Tolerances in accordance with UNI EN ISO 9906:2012

### Self-Priming Capability with the pump located above the water level

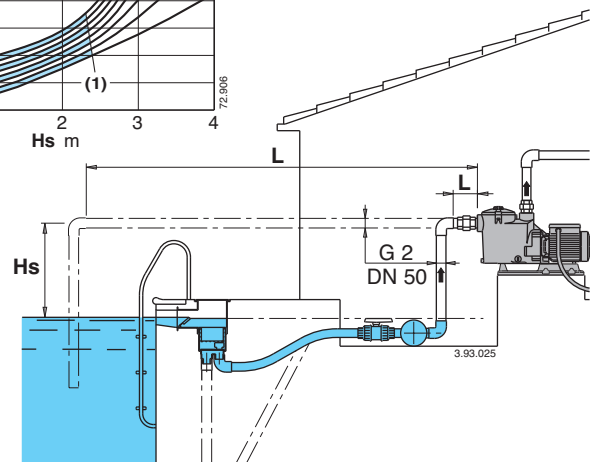


(1) Application limit for automatic self-repriming at each start-up, without check valve.

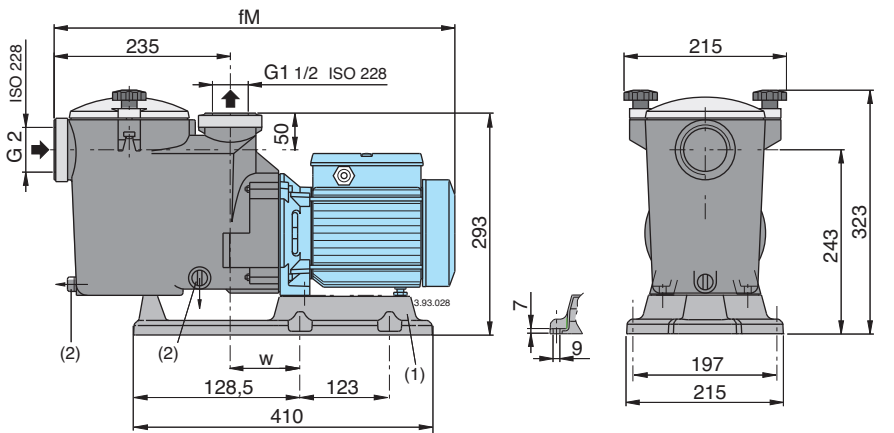
L (m) Horizontal length of suction pipe above the water level.

H<sub>s</sub> (m) Suction lift.

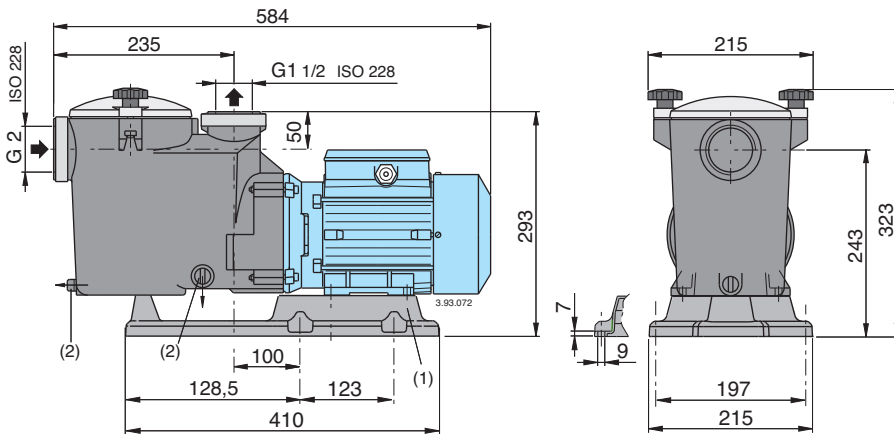
t (min) Self-priming time.



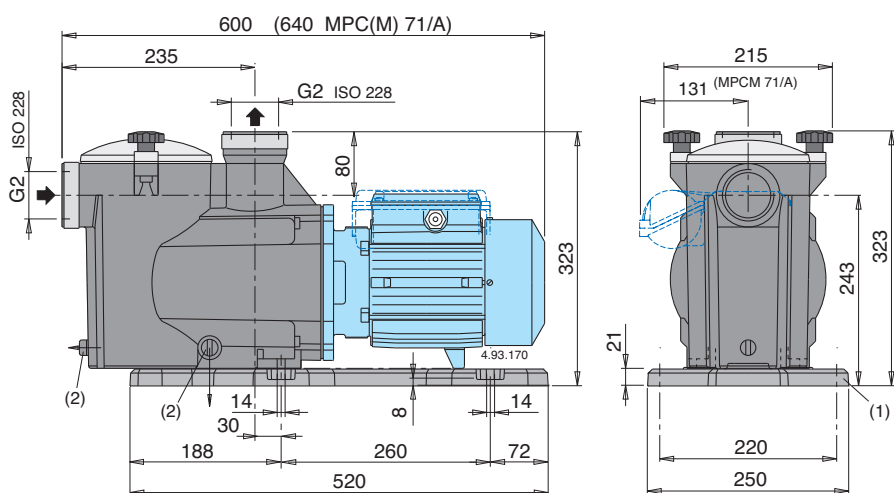
### Dimensions and weights



TYPE	mm		kg	
	fM	w	MPC	MPCM
MPC 11 - MPCM 11	504	100	8,9	9
MPC 21/A - MPCM 21/A	536	100	10,2	11,3
MPC 31/B - MPCM 31/A	536	100	12,0	12,2



**MPCM 41** 17,5 kg  
**MPC 41/A** 16,0 kg

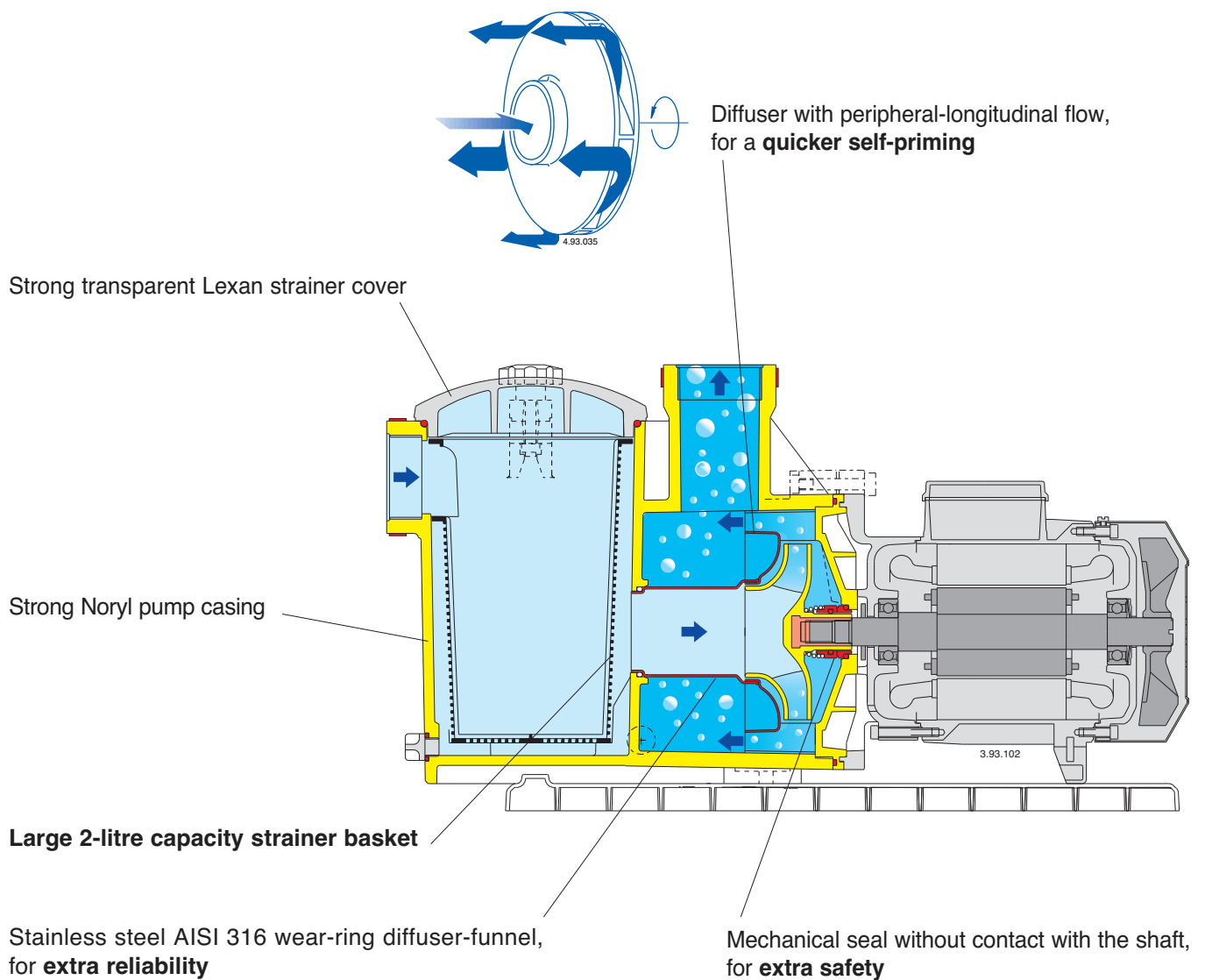


**MPCM 51** 18,9 kg  
**MPC 51/A** 17,4 kg  
**MPCM 61** 20,7 kg  
**MPC 61/A** 19,6 kg  
**MPCM 71/B** 23,8 kg  
**MPC 71/B** 22,5 kg

(1) Base-plate kit

(2) Draining

### Features





### Construction

Close-coupled self-priming centrifugal pumps with built-in strainer.  
 Inner basket with  $\varnothing$  3 mm holes.  
 NMP: version with pump casing and lantern bracket in cast iron, with cataphoresis coating.  
 B-NMP: version with pump casing and lantern bracket in bronze (the pumps are supplied fully painted).

### Applications

For water circulation in swimming pool filtration systems.  
 For clean or slightly dirty water with solids in suspension.

### Operating conditions

Liquid temperature up to 60° C.  
 Ambient temperature up to 40° C.  
 Total suction lift up to 7 m.  
 Maximum permissible working pressure up to 6 bar.  
 Continuous duty.

### Motor

2-pole induction motor, 50 Hz ( $n \approx 2900$  rpm).  
**NMP:** three-phase 230/400 V  $\pm 10\%$  up to 3 kW;  
 400/690 V  $\pm 10\%$  from 4 to 7,5 kW;  
**NMPM:** single-phase 230 V  $\pm 10\%$ , with thermal protector.  
 Insulation class F.  
 Protection IP 54.  
**Classification scheme IE3 for three-phase motors from 0,75 kW.**  
 Constructed in accordance with: EN 60034-1; EN 60034-30-1.  
 EN 60335-1, EN 60335-2-41.

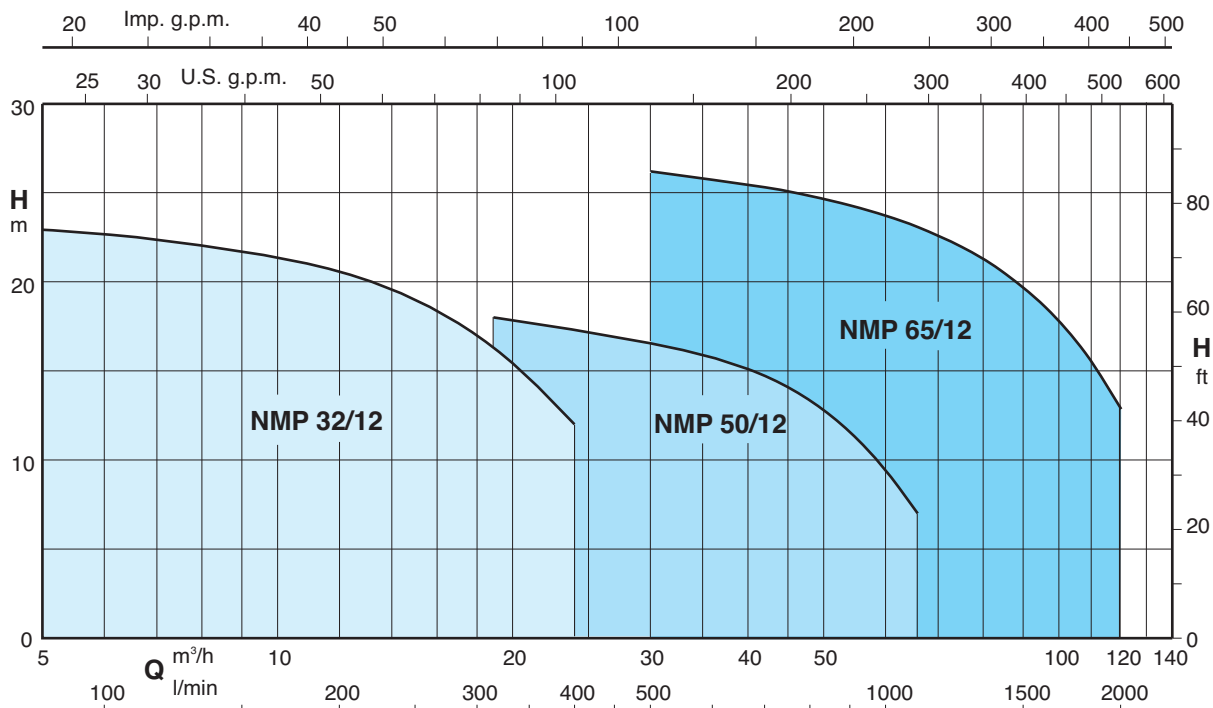
### Materials

Components	NMP	B-NMP
Pump casing	Cast iron	Bronze
Lantern bracket	GJL 200 EN 1561	G-Cu Sn 10 EN 1982
Impeller	Cast iron	Bronze
	GJL 200 EN 1561	G-Cu Sn 10 EN 1982
	Brass P- Cu Zn 40 Pb 2 UNI 5705 for NMP 32/12	
Shaft	Chrome-nickel steel	Cr-Ni-Mo steel
	1.4305 EN 10088 (AISI 303)	1.4401 EN 10088 (AISI 316)
Strainer cover	Cast iron	Bronze
	GJL 200 EN 1561	G-Cu Sn 10 EN 1982
Strainer	Chrome-nickel steel 1.4301 EN 10088 (AISI 304)	
Mechanical seal	Carbon - Ceramic - FPM	

### Special features on request

- Other voltages.
- Frequency 60 Hz (as per 60 Hz data sheet).
- Protection IP 55.
- Special mechanical seal
- Higher liquid or ambient temperatures.

### Coverage chart $n \approx 2900$ rpm



### Performance n ≈ 2900 rpm

3 ~	230V 400V		1 ~	230V P <sub>1</sub>		P <sub>2</sub>		Q m <sup>3</sup> /h l/min	H																													
	A	A		A	kW	kW	HP		m	6,6	9,6	10,8	12	13,2	15	18,9	21	24	30	42	48	54	60	66	75	84	96	108	120									
(B) NMP 32/12FE	3,3	1,9				0,55	0,75	110	13	12	11	10,5	10	9																								
			(B) NMPM 32/12FE	4,5	0,8	0,55	0,75	160	12	11	10	9,5	9	8																								
(B) NMP 32/12DE	3,3	1,9				0,75	1	180	18	17	16	15,5	15	14																								
			(B) NMPM 32/12DE	5,8	1,3	0,75	1	200	17	16	15	14,5	14	13																								
(B) NMP 32/12A/A	4,7	2,7						220	22	21	20,5	20	19,5	18,5																								
			(B) NMPM 32/12AE	7,4	1,85	1,1	1,5	250	21,5	20,5	19,5	19	18,5	17,5																								
(B) NMP 32/12S/A	7,5	4,3	(B) NMPM 32/12SE	9,2	2	1,5	2	315	22,5	21,5	21	20,5	20	19	16*	15*	12*																					
(B) NMP 50/12H/A	4,7	2,7	(B) NMPM 50/12HE	7,4	1,85	1,1	1,5	350							9	9	8,5	7,5	5,5	4,5	3																	
(B) NMP 50/12G/A	7,5	4,3	(B) NMPM 50/12GE	9,2	2	1,5	2	400							12	12	11,5	10,5	8	7	5	3,5*																
(B) NMP 50/12F/B	9,15	5,3				2,2	3	500							16	16	15,5	14,5	12	10,5	8,5	6,5*	5*															
(B) NMP 50/12D/A	11,5	6,6				3	4	700							18	18	17,5	16,5	15	13	11,5	9,5*	7*															
(B) NMP 65/12E		9,6				4	5,5	800										17,7	16,5	15,9	15,2	14,4	13,6	12,2	10,7	8,5	6,1											
(B) NMP 65/12C		10,8				5,5	7,5	900										21,4	20,5	19,9	19,3	18,6	17,8	16,6	15,2	13,1	10,6	7,3										
(B) NMP 65/12A		14,3				7,5	10	1000										26,2	25,3	24,8	24,3	23,7	23,1	22	20,7	18,6	16	12,9										

P<sub>1</sub> Maximum power input.

B-NMP = Bronze construction.

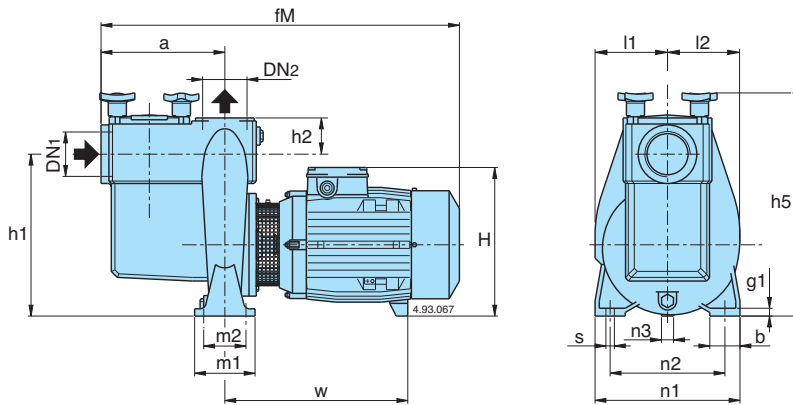
\* Maximum suction lift 2-3 m.

P<sub>2</sub> Rated motor power output.

**H** Total head in m.

Tolerances according to UNI EN ISO 9906:2012

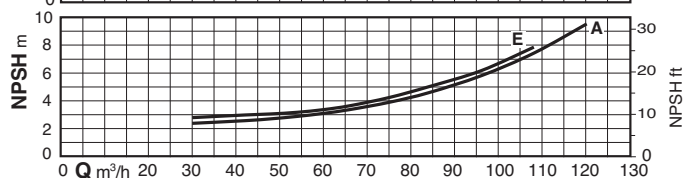
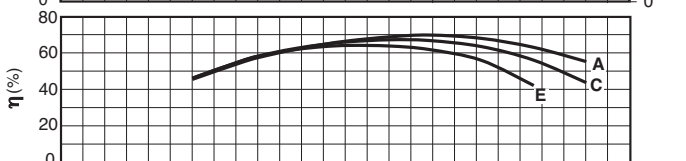
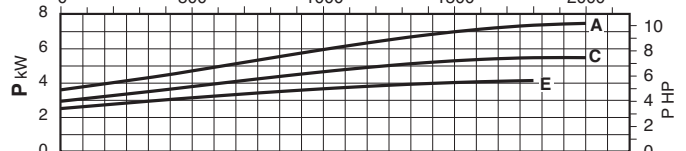
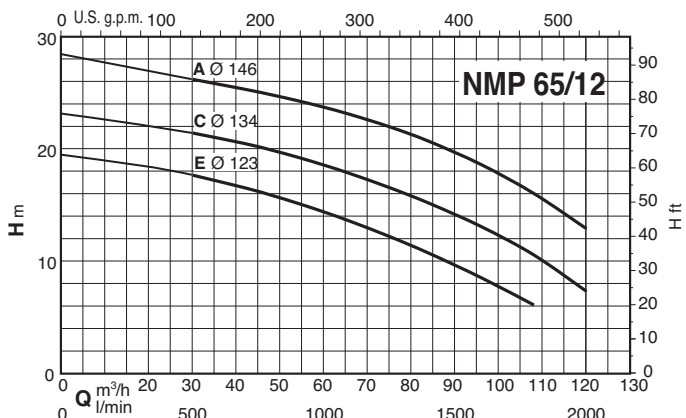
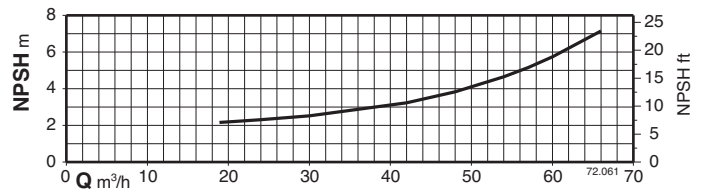
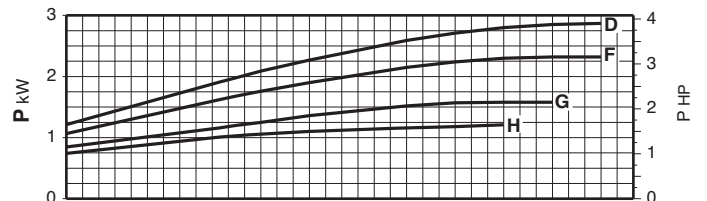
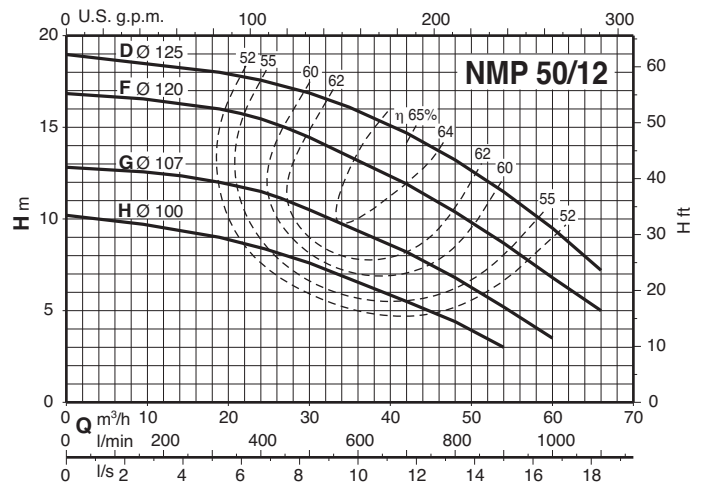
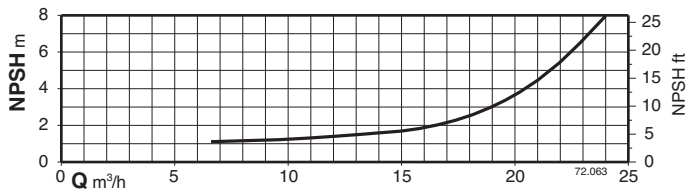
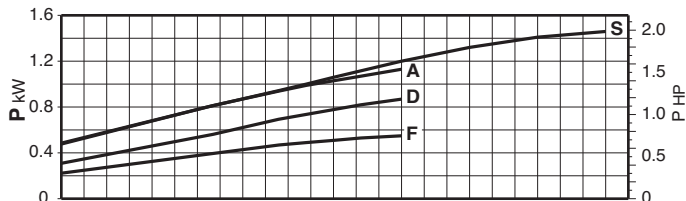
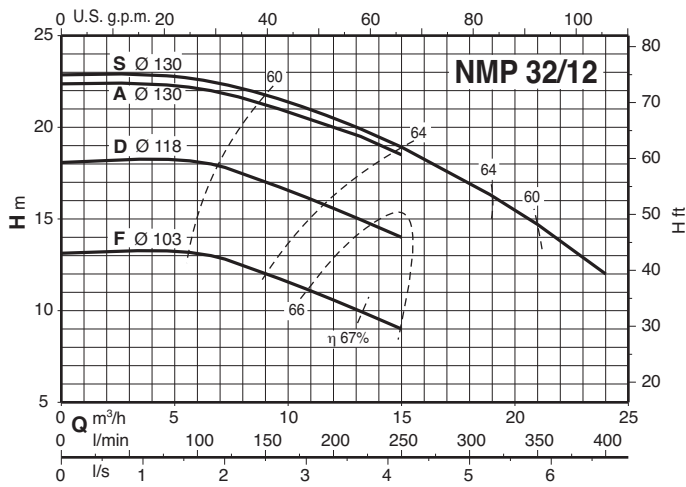
### Dimensions and weights



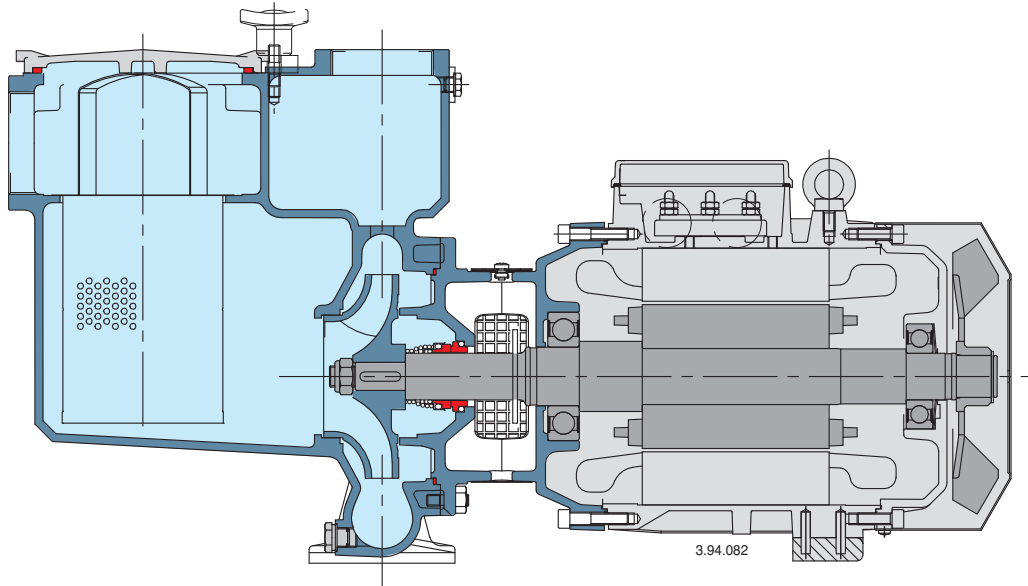
TYPE	DN <sub>1</sub>	DN <sub>2</sub>	mm																
			ISO 228	a	fM	h <sub>1</sub>	h <sub>2</sub>	H	h <sub>5</sub>	m <sub>1</sub>	m <sub>2</sub>	n <sub>1</sub>	n <sub>2</sub>	n <sub>3</sub>	b	s	l <sub>1</sub>	l <sub>2</sub>	w
(B) NMP 32/12DE-FE (B) NMP 32/12S/A-A/A	G 2	G 2	195	510	230	50	228	320	100	70	190	140	30	50	14	106	99	220	12
(B) NMP 50/12G/A-H/A (B) NMP 50/12F/B (B) NMP 50/12D/A	G 2 <sub>1/2</sub>	G 2 <sub>1/2</sub>	205	540 580 602	262	60	240 240 250	360	100	70	240	190	37 37 20	50	14	120	117	234 274 298	12
(B) NMP 65/12E (B) NMP 65/12C (B) NMP 65/12A-C	G 3	G 3	320	724 750	360	80	298 320	470	125	95	280	212	60 49	65	14	157	159	303 284	15

TYPE	NMP kg	B-NMP kg
(B) NMP 32/12FE	30	32
(B) NMP 32/12DE	30	32
(B) NMP 32/12A/A	31	33
(B) NMP 32/12S/A	33	35
(B) NMP 50/12H/A	37	39
(B) NMP 50/12G/A	38,5	40
(B) NMP 50/12F/B	41,5	44,5
(B) NMP 50/12D/A	50,5	54,5
(B) NMP 65/12E	76	86,5
(B) NMP 65/12C	89	99
(B) NMP 65/12A	94,5	104,5

**Characteristic curves  $n \approx 2900$  rpm**



## Features



### Flexible

The option to choose between cast iron and bronze materials for the hydraulic parts in contact with the pumped liquid allows NMP series pumps to be selected for use with different types of liquids.

### Stainless steel filter

A large capacity Stainless steel filter is fitted which is easy to remove for inspection and cleaning.

### Exclusive design

An innovative, patented guard prevents contact with rotating parts, providing protection to the end user whilst allowing for inspection of the mechanical seal.

### Reliable

The bearing and shaft are designed to ensure the reduction of the stress, providing high reliability under all operating conditions.





### Construction

Pre-filters with removable basket, constructed in stainless steel. Loose ring flange connections. Clamp type closing with lever and double adjustment clamp. Inner basket with Ø 6 mm holes.

### Applications

For water circulation pump in filtration plants in swimming pools. To prevent foreign bodies from entering the pump and the plant.

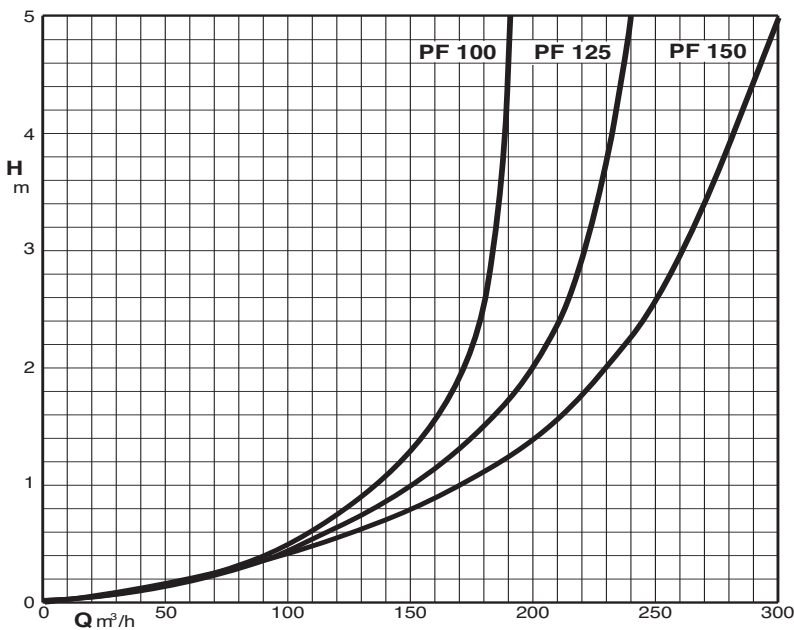
### Operating conditions

Max working pressure: 3 bar.  
 Max flow: 180 m³/h for PF 100.  
 240 m³/h for PF 125.  
 300 m³/h for PF 150.

### Materials

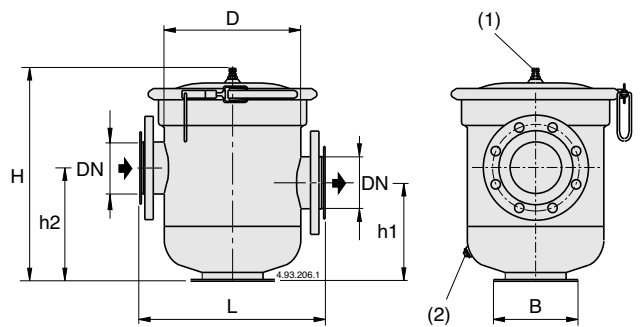
Components	Materials
Pre-filter body PF 100-304 PF 125-304 PF 150-304	Stainless steel AISI 304
Pre-filter body PF 100-316 PF 125-316 PF 150-316	Stainless steel AISI 316
Strainer basket	Stainless steel AISI 316

### Diagram of head loss



ΔH = Head loss in meters

### Dimensions and weights



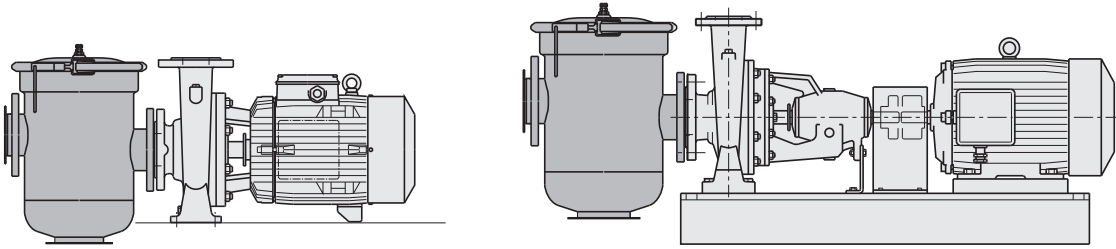
Flanges UNI 6089 PN 10

Type	mm							kg
	DN	H	h1	h2	L	D	B	
PF 100	100	530	247	287	440	292	185	17,5
PF 125	125				440	292	185	17,7
PF 150	150	550	260	300	500	350	210	23,3

1 Relief valve

2 Draining plug

Examples of installations



# A Self-Priming Centrifugal Pumps with open impeller



### Construction

Close-coupled centrifugal pumps with open impeller. The built-in backflow preventer avoids reverse siphoning when the pump is stopped and assures automatic re-priming at the next start. The pump re-priming itself even if partially filled with liquid and with completely empty suction pipe.  
 A: version with pump casing and lantern bracket in cast iron.  
 B-A: version with pump casing and lantern bracket in bronze (the pumps are supplied fully painted).

### Applications

For clean or slightly dirty water, also with solids up to 10 mm grain size for A 40, A 50 and 15 mm for A 65, A 80. For draining a basin or a sump. For irrigation. For civil and industrial applications.

### Operating conditions

Liquid temperature from -10 °C to +90 °C. Room temperature up to 40 °C. Maximum permissible working pressure up to 6 bar (10 bar for A 80-170). Continuous duty.

### Motor

2-pole induction motor, 50 Hz ( $n \approx 2900$  rpm).  
**A** three-phase 230/400 V  $\pm 10\%$  up to 3 kW; 400/690 V  $\pm 10\%$  from 4 to 7,5 kW;  
**AM**: single-phase 230 V  $\pm 10\%$ , with thermal protector. Capacitor inside the terminal box.

Insulation class F. Protection IP 54. **Classification scheme IE3 for three-phase motors from 0,75 kW.** Constructed in accordance with: EN 60034-1; EN 60034-30-1. EN 60335-1, EN 60335-2-41.

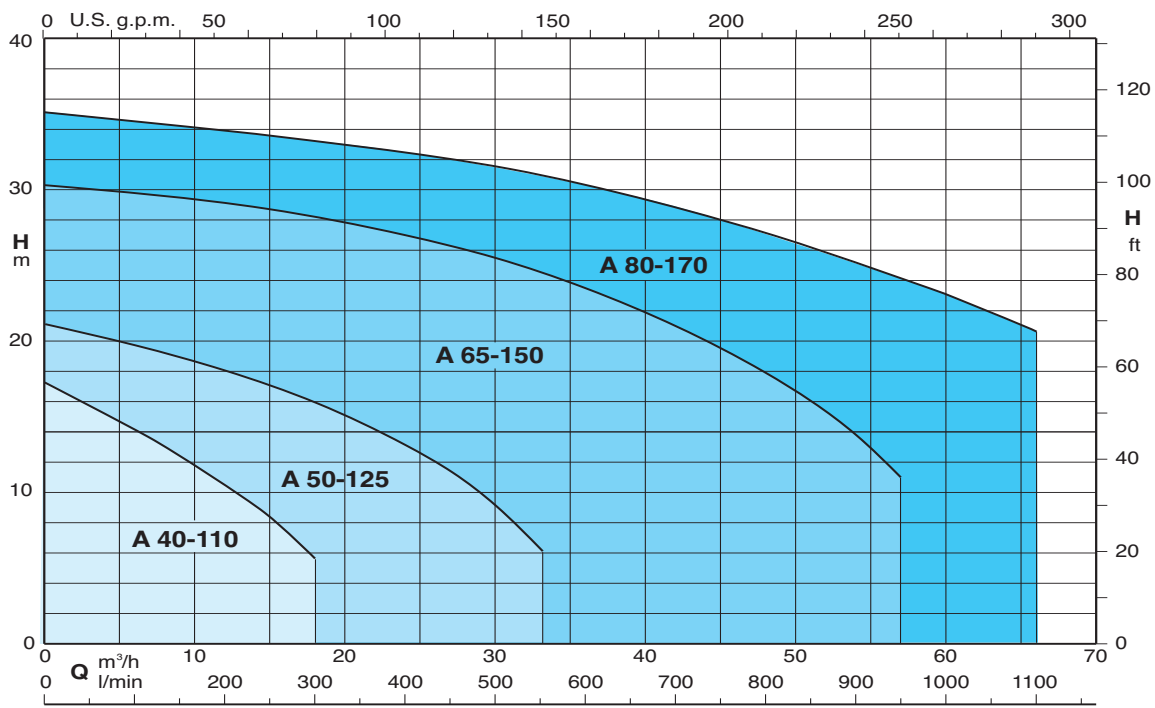
### Special features on request

Other voltages. Frequency 60 Hz (as per 60 Hz data sheet). Protection IP 55. Special mechanical seal. Higher or lower liquid or ambient temperatures. Construction with bearing bracket.

### Materials

Components	A	B-A
Pump casing Suction flange Inspection cover (for A 65, A 80) Lantern bracket Impeller	Cast iron GJL 200 EN 1561	Bronze G-Cu Sn 10 EN 1982
Shaft	Chrome-nickel steel 1.4305 EN 10088 (AISI 303)	Cr-Ni-Mo steel 1.4401 EN 10088 (AISI 316)
	Chrome steel 1.4104 EN 10088 (AISI 430) for A 40/110, A 65-150A,B	
Mechanical seal	Carbon - Ceramic - NBR	

### Coverage chart $n \approx 2900$ rpm





**Performance n ≈ 2900 rpm**

3 ~	230 V 400 V		1 ~	230 V		P <sub>1</sub>		P <sub>2</sub>		Q										
	A	A		A	kW	kW	HP	m <sup>3</sup> /h	3,6		4,8	6	7,5	8,4	9,6	10,8	12	15	18	
A 40-110B/A B-A 40-110B/A	2,8	1,6	AM 40-110B/A B-AM 40-110B/A	4,5	0,85	0,55	0,75	H m	12,9	12,4	11,8	11	10,4	9,8	9	8,3	6	3,4		
A 40-110A/B B-A 40-110A/B	3,7	2,2	AM 40-110A/A B-AM 40-110A/A	6	1,1	0,75	1		15,4	14,9	14,2	13,3	12,9	12,1	11,3	10,5	8,4	5,6		

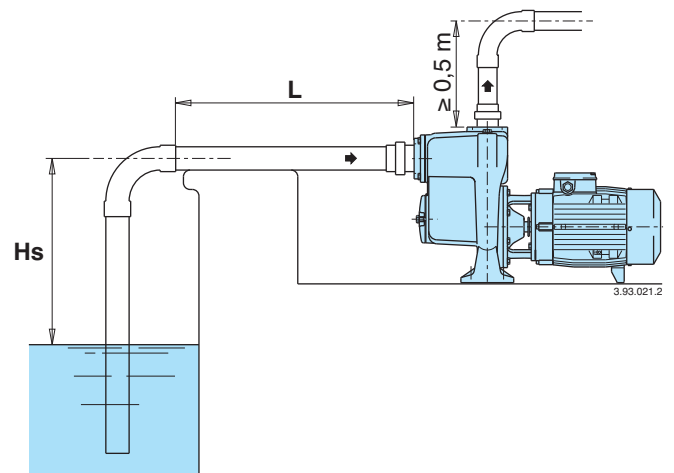
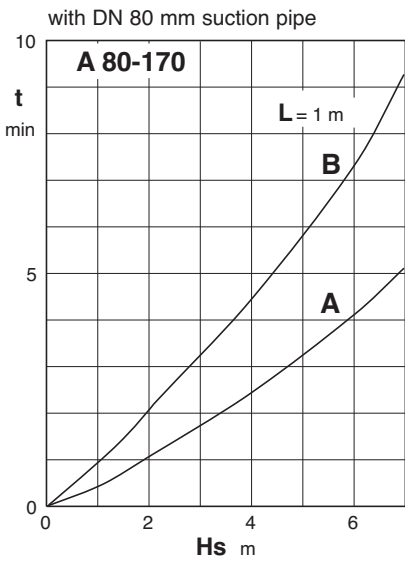
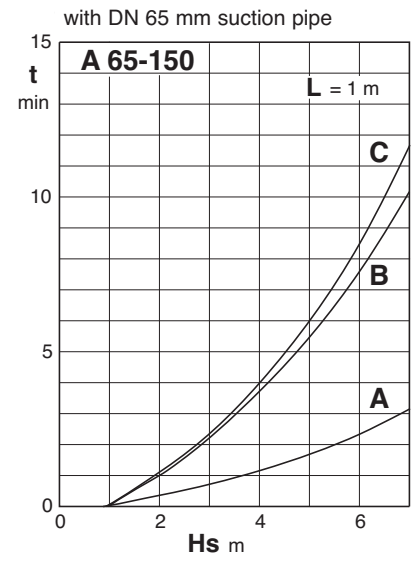
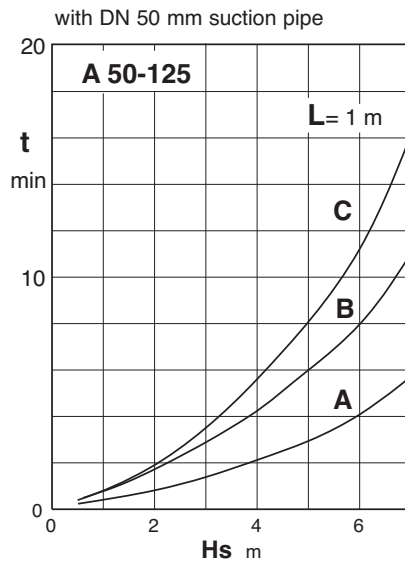
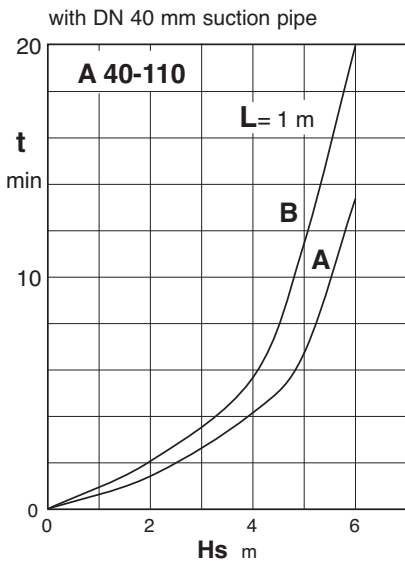
3 ~	230 V 400 V		1 ~	230 V		P <sub>1</sub>		P <sub>2</sub>		Q										
	A	A		A	kW	kW	HP	m <sup>3</sup> /h	6		9	12	15	18	21	24	27	30	33	
A 50-125CE B-A 50-125CE	3,3	1,9	AM 50-125CE B-AM 50-125CE	5,8	1,2	0,75	1	H m	12,8	12,2	11,3	10	8,5	7	5,3	3,3				
A 50-125B/A B-A 50-125B/A	4,7	2,7	AM 50-125BE B-AM 50-125BE	7,4	1,6	1,1	1,5		15,5	14,9	14,2	12,9	11,6	10	8,3	6,2	4			
A 50-125A/A B-A 50-125A/A	7,5	4,3	AM 50-125AE B-AM 50-125AE	9,2	2,1	1,5	2		19,5	19	18	17	15,5	14	12,5	10,5	8	5		

3 ~	230 V 400 V		P <sub>2</sub>	Q												
	A	A			kW	HP	m <sup>3</sup> /h	15	18	24	30	33	36	42	48	54
A 65-150C/C B-A 65-150C/B	11,5 9,15	6,6 5,3	2,2	3	H m	17,5	17	16	14	13	11,5	9	6,5			
A 65-150B/B B-A 65-150B/A	11,5	6,6	3	4		21,5	21	19,5	17,5	16,5	15,5	12,5	9,5	6,5		
A 65-150A/C B-A 65-150A/B	-	9,6	4	5,5		29	28	27	25,5	24,5	23,5	21	18	14	11	

3 ~	230 V 400 V		P <sub>2</sub>	Q											
	A	A			kW	HP	m <sup>3</sup> /h	15	18	21	24	30	36	45	54
A 80-170B/A B-A 80-170B/A	-	10,9	5,5	7,5	H m	27,3	27,3	27	26,8	25,7	24,4	22,1	19	16,7	13,7
A 80-170A/A B-A 80-170A/A	-	14,3	7,5	10		33,6	33,2	32,9	32,5	31,6	30,5	28,1	25,3	23,2	20,4

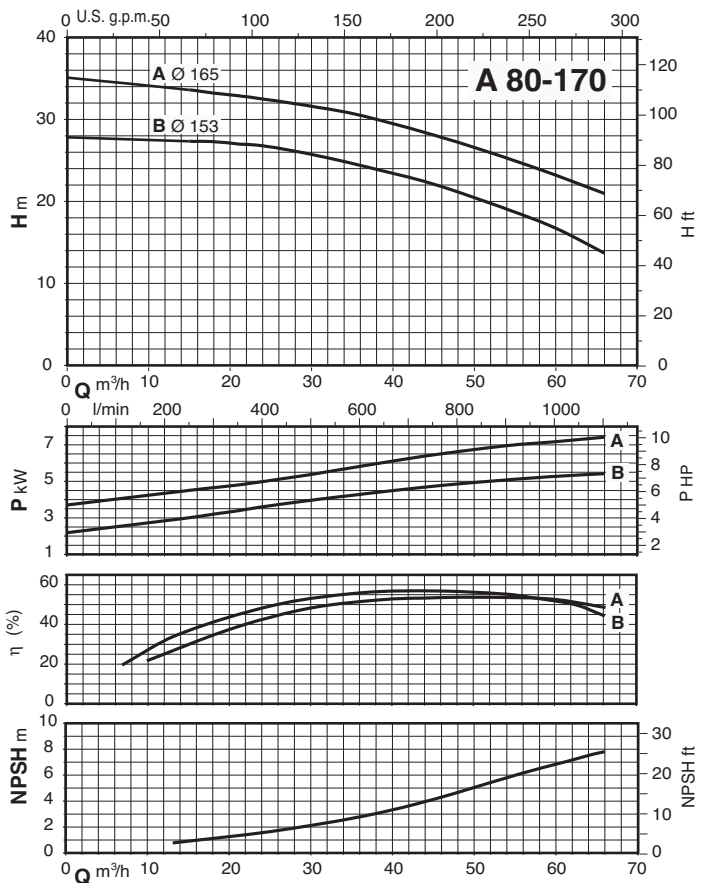
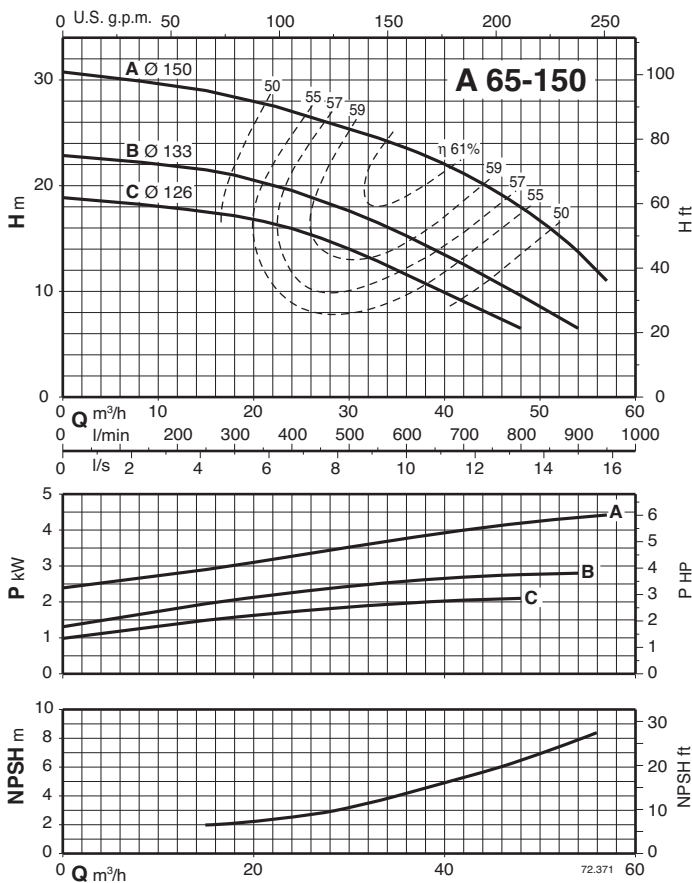
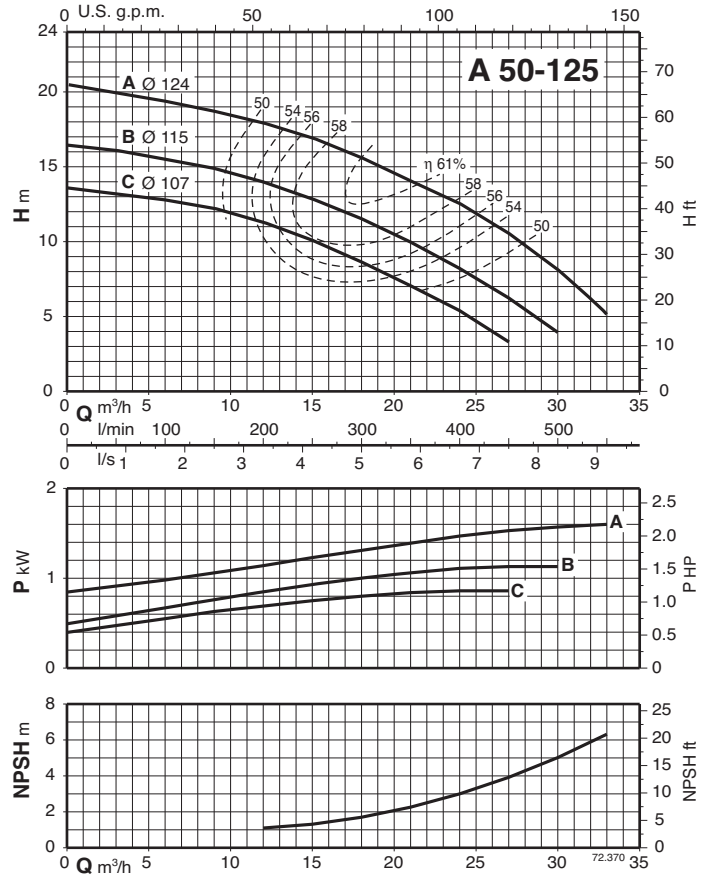
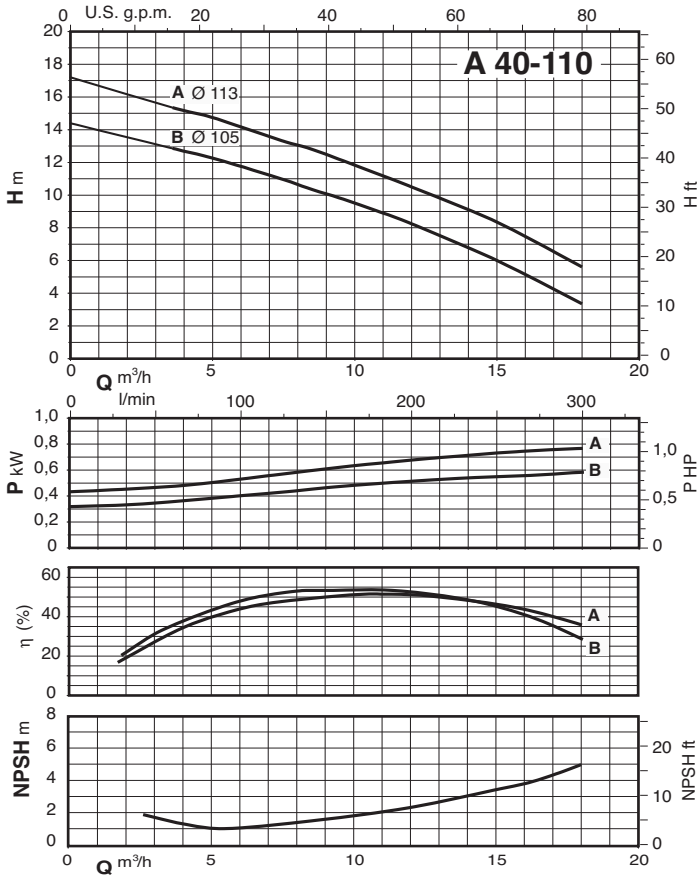
P<sub>1</sub>: Maximum power input. P<sub>2</sub>: Rated motor power output. H: Total head in m. B-A, B-AM = Bronze construction. Tolerances according to UNI EN ISO 9906:2012

### Self-priming capability

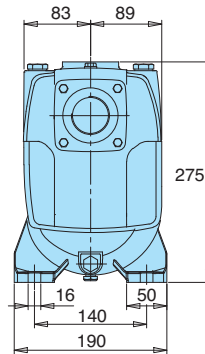
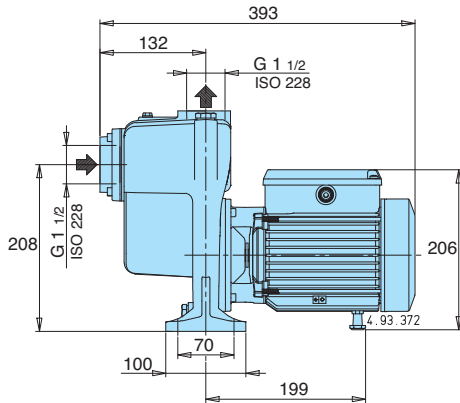




**Characteristic curves  $n \approx 2900$  rpm**



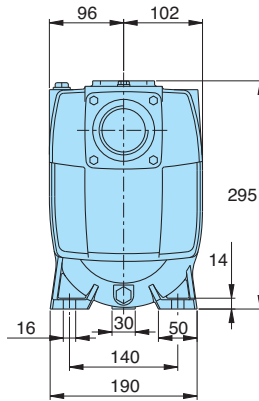
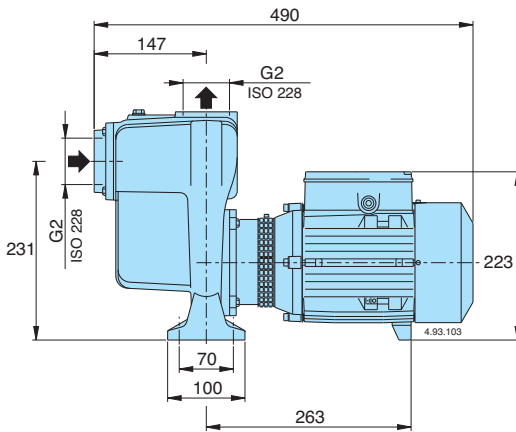
### Dimensions and weights



kg

A 40-110A/B	20,6
AM 40-110A/A	20,8
A 40-110B/A	18,9
AM 40-110B/A	19,8

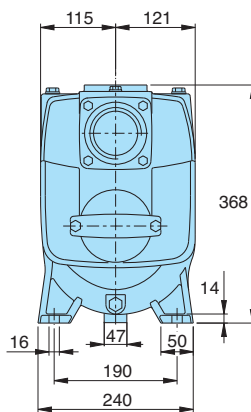
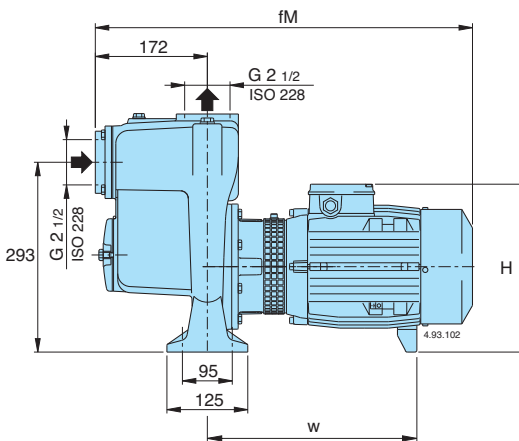
B-A 40-110A/B	23,3
B-AM 40-110A/A	23,5
B-A 40-110B/A	21,6
B-AM 40-110B/A	22,5



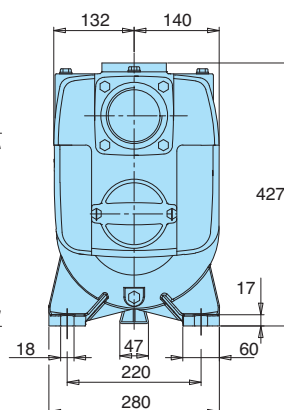
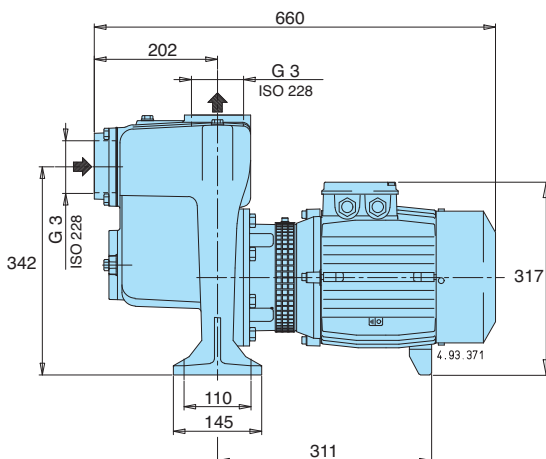
kg

A 50-125A/A	29,9
AM 50-125AE	31
A 50-125B/A	28
AM 50-125BE	29,1
A 50-125CE	26,9
AM 50-125CE	27,8

B-A 50-125A/A	33,6
B-AM 50-125AE	33,6
B-A 50-125B/A	31
B-AM 50-125BE	32,6
B-A 50-125CE	29,6
B-AM 50-125CE	30,6



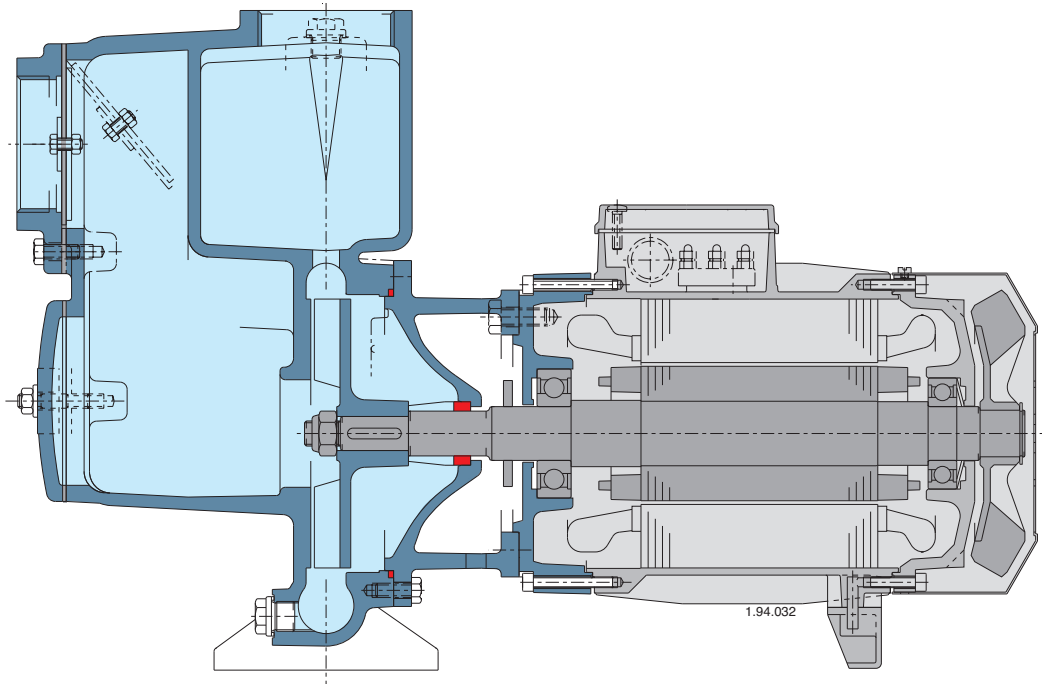
TYPE	mm			kg
	fM	H	w	
A 65-150C/C	595	270	324	56,7
B-A 65-150C/B	583	260	319	50,4
A 65-150B/B	595	270	324	57
B-A 65-150B/A	595	270	324	58,5
A 65-150A/C	595	270	324	58,5
B-A 65-150A/B	595	270	324	60



kg

A 80-170A/A	85,8
A 80-170B/A	80,3

B-A 80-170A/A	95,6
B-A 80-170B/A	90,1

**Features****Fast self priming**

An integrated non-return valve and the design of the pump casing ensures rapid priming, once the pump body has been filled with water.

**Flexible**

The option to choose between cast iron and bronze materials for the hydraulic parts in contact with the pumped liquid allows A series pumps to be selected for use with different types of liquids.

**Solid parts**

The open impeller allows for the passage of suspended solids in pumped liquid.

**Exclusive design**

An innovative, patented guard prevents contact with rotating parts, providing protection to the end user whilst allowing for inspection of the mechanical seal.

**Reliable**

The bearing and shaft are designed to ensure the reduction of the stress, providing high reliability under all operating conditions.



# C Centrifugal Pumps with open impeller



## Construction

Close-coupled centrifugal pumps with open impeller. Free-flow impeller (vortex or recessed impeller) for type C 16/1E.

C: version with pump casing and lantern bracket in cast iron.  
B-C: version with pump casing and lantern bracket in bronze (the pumps are supplied fully painted).

## Applications

For moderately dirty liquids or emulsions. For industry and agriculture.

## Operating conditions

Liquid temperature from -10 °C to +90 °C.  
Ambient temperature up to 40 °C.  
Total suction lift up to 8 m.  
Maximum permissible working pressure: 6 bar.  
Maximum size of solids: 4 mm.  
Continuous duty.

## Motor

2-pole induction motor, 50 Hz (n ≈ 2900 rpm).  
C: three-phase 230/400 V ± 10%.  
CM: single-phase 230 V ± 10%, with thermal protector. Capacitor inside the terminal box.

Insulation class F.  
Protection IP 54.

Motor suitable for operation with frequency converter from 1,1 kW.

**Classification scheme IE3 for three-phase motors from 0,75 kW.**

Constructed in accordance with: EN 60034-1; EN 60034-30-1. EN 60335-1, EN 60335-2-41.

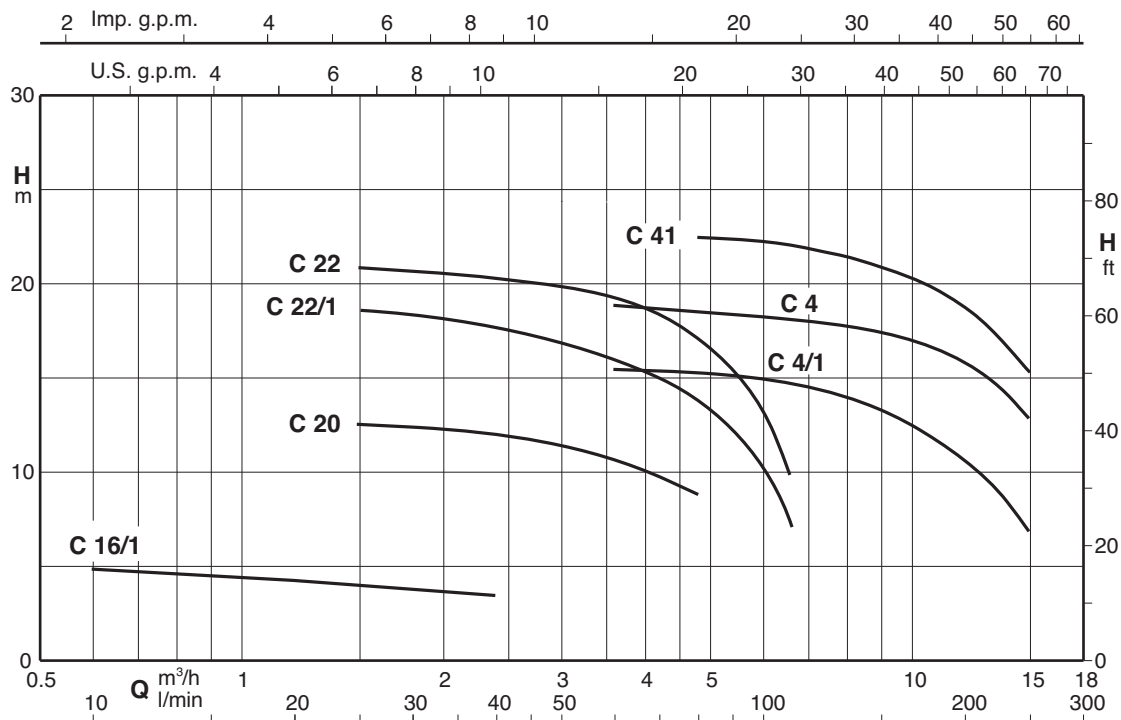
## Materials

Component	C	B-C
Pump casing	Cast iron GJL 200 EN 1561	Bronze G-Cu Sn 10 EN 1982
Lantern bracket	Cast iron GJL 200 EN 1561	Bronze G-Cu Sn 10 EN 1982
Impeller	Brass P- Cu Zn 40 Pb 2 UNI 5705	
Shaft	Chrome steel 1.4104 EN 10088 (AISI 430)	Cr-Ni-Mo steel 1.4401 EN 10088 (AISI 316)
	Chrome-nickel steel 1.4305 EN 10088 (AISI 303) for C 41	
Mechanical seal	Carbon - Ceramic - NBR	

## Special features on request

- Other voltages.
- Frequency 60 Hz (as per 60 Hz data sheet).
- Protection IP 55.
- Special mechanical seal
- Higher or lower liquid or ambient temperatures.
- Motor suitable for operation with frequency converter up to 0,75 kW.
- Construction with bearing bracket.

## Coverage chart n ≈ 2900 rpm





**Performance  $n \approx 2900$  rpm**

3 ~	230V 400V		1 ~	230V		P <sub>1</sub>		P <sub>2</sub>		Q m <sup>3</sup> /h l/min	0,6	0,9	1,2	1,5	1,8	2,4	3	3,6	4,8	6	6,6	8,4	9,6	10,8	12	13,2	15	
	A	A		A	kW	kW	HP	10	15		20	25	30	40	50	60	80	100	110	140	160	180	200	220	250			
<b>C 16/1E</b> B-C 16/1E	1,7	1	<b>CM 16/1E</b> B-CM 16/1E	1,2	0,16	0,15	0,2	H m	5	4,7	4,4	4,2	4	3,6														
<b>C 20E</b> B-C 20/A	1,9 2,3	1,1 1,3	<b>CM 20E</b> B-CM 20/A	2,5 2,8	0,4	0,37	0,5					12,3	12,2	12	11,5	10,8	9											
<b>C 22/1E</b> B-C 22/1/A	2,4 2,3	1,4 1,3	<b>CM 22/1E</b> B-CM 22/1/A	3 3,6	0,8	0,45	0,6					18	18	17,5	17	16	14	10	7,5									
<b>C 22E</b> B-C 22/A	3	1,7	<b>CM 22E</b> B-CM 22/A	3,5 4,5	0,9	0,55	0,75					20,5	20	20	19	18,5	16,5	14	12									
<b>C 4/1/A</b>	3	1,7	<b>CM 4/1/A</b>	4,5	0,91	0,55	0,75									15,6	15,4	15,2	15	14	13,1	12	10,8	9,5	7			
<b>C 4/B</b> B-C 41/1E	3,7 4	2,2 2,3	<b>CM 4/A</b> B-CM 41/1E	5,7 5,8	1,2	0,75	1									19	18,8	18,5	18,3	17,7	17,4	16,8	16	15	13			
<b>C 41/A</b> B-C 41/A	4,7	2,7	<b>CM 41E</b> B-CM 41E	7,4	1,6	1,1	1,5											22,4	22,3	22,2	21,5	21	20,5	19,5	18	15,5		

P<sub>1</sub> Maximum power input.

B-C, B-CM = Bronze construction.

$\rho$  = Density 1000 kg/m<sup>3</sup>.

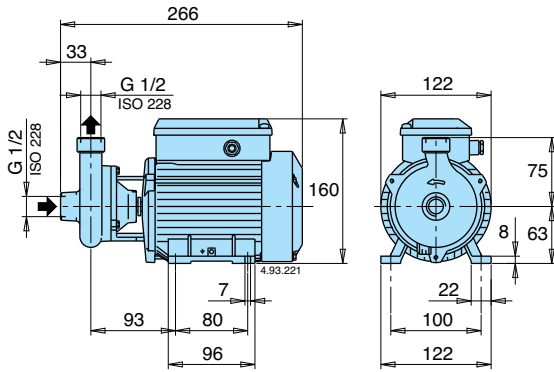
Tolerances according to UNI EN ISO 9906:2012

P<sub>2</sub> Rated motor power output.

**H** Total head in m.

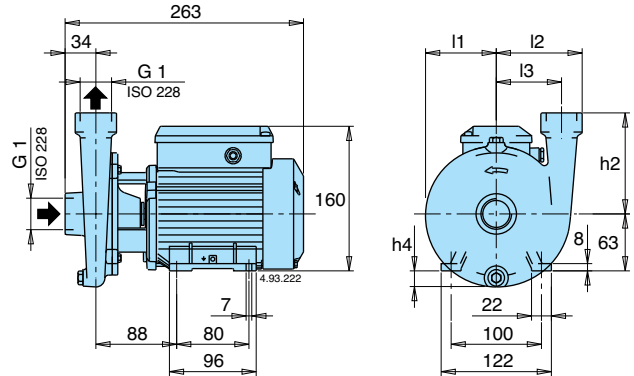
$\nu$  = Kinematic viscosity max 20 mm<sup>2</sup>/sec.

### Dimensions and weights

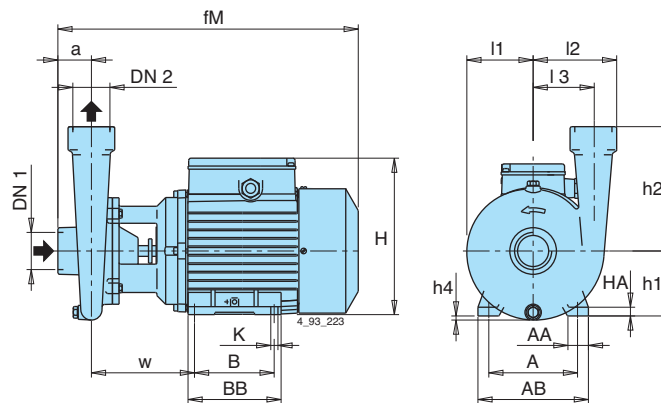


TYPE	kg
<b>C 16/1E</b>	5,2
<b>CM 16/1E</b>	5,2

TYPE	kg
<b>B-C 16/1E</b>	5,6
<b>B-CM 16/1E</b>	5,6

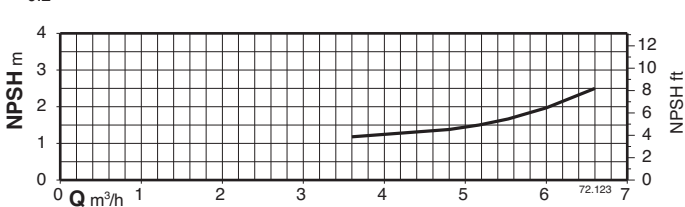
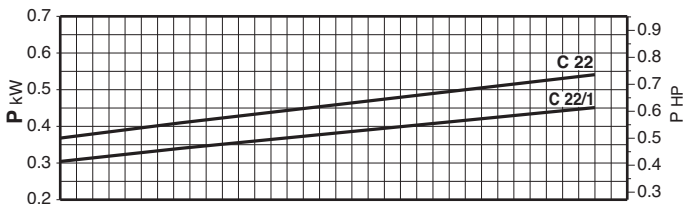
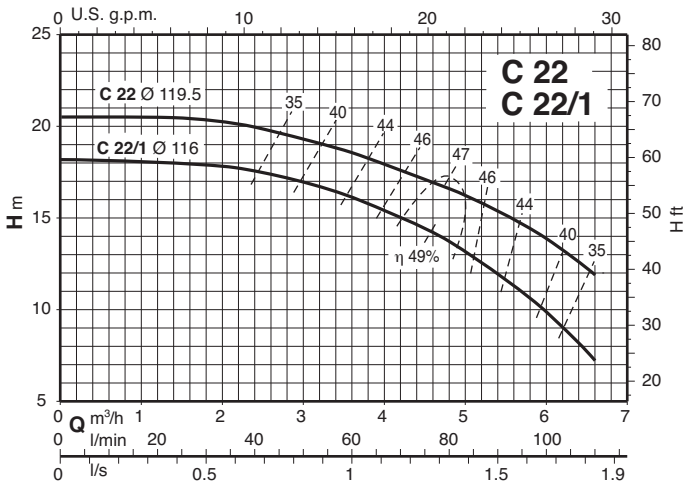
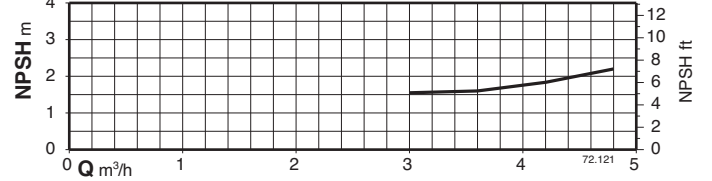
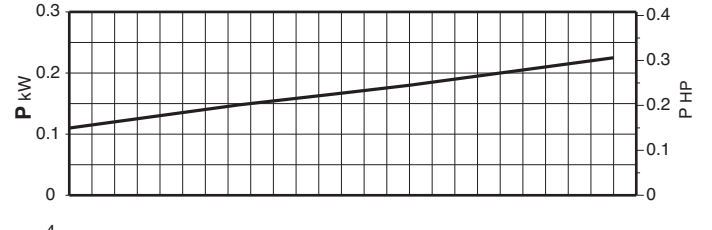
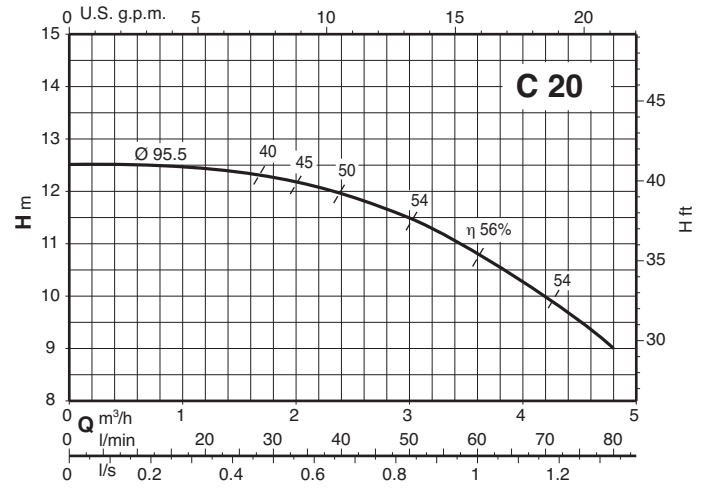
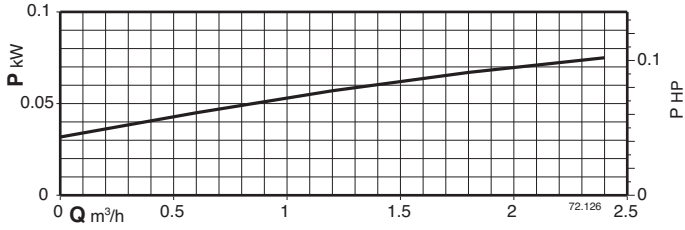
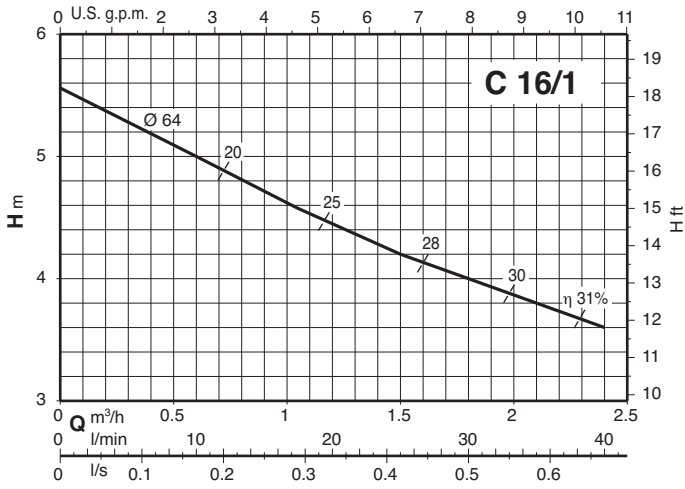


TYPE	mm					kg	
	h2	h4	l1	l2	l3	C	CM
<b>C 20E</b>	90	5	67	82	60	6,8	6,8
<b>C 22/1E - C 22E</b>	110	17	77	94	71	8 - 8,3	8 - 8,3

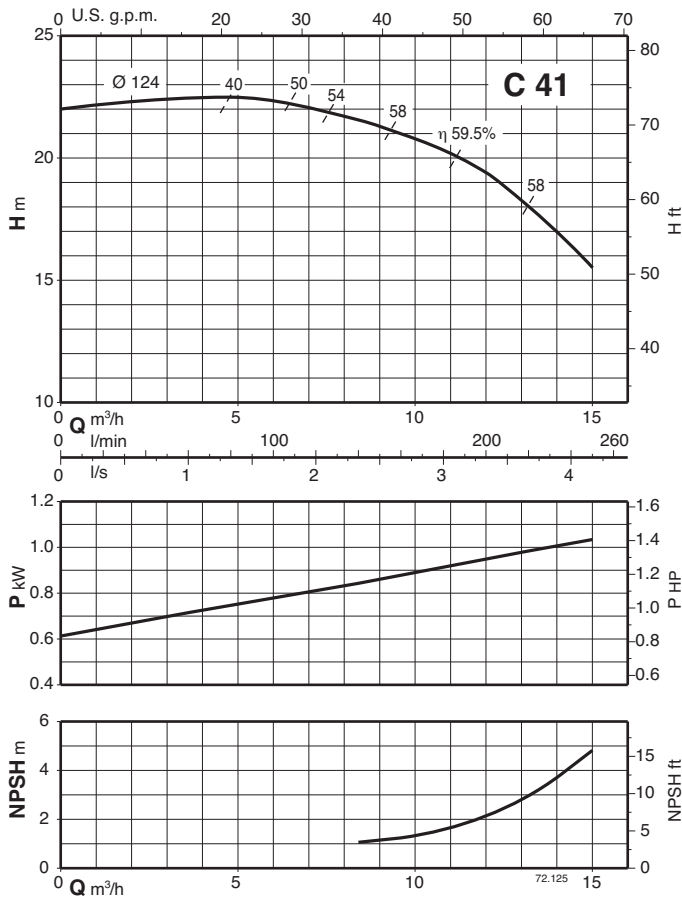
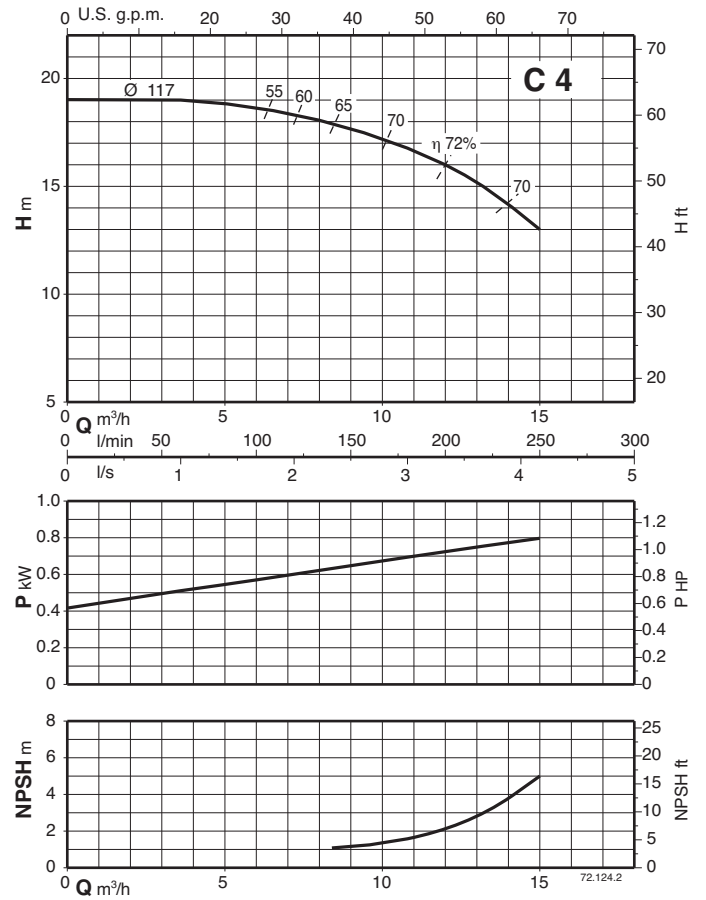
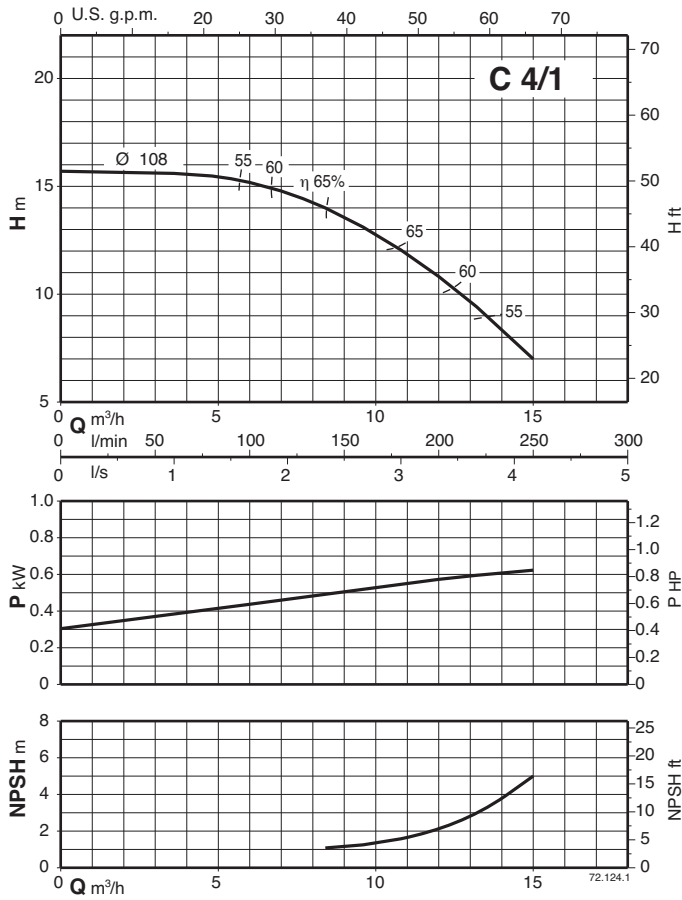


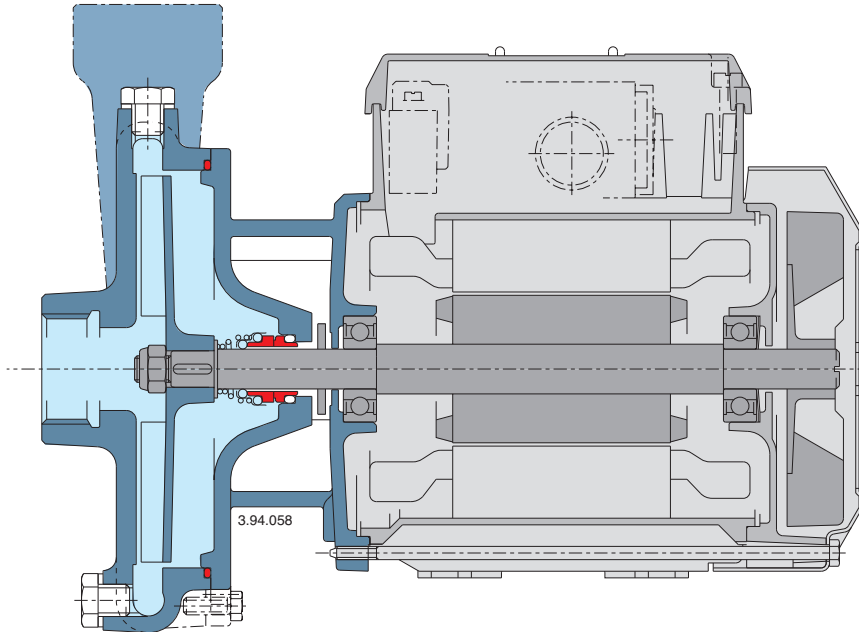
TYPE	DN1 ISO 228	DN2 ISO 228	mm																kg				
			a	fM	h1	h2	H	h4	BB	B	AB	A	AA	K	l1	l2	l3	w	HA	C	CM	B-C	B-CM
- <b>B-C 20/A</b>	G 1	G 1	35	303	71	90	182	-	106	90	134	112	22	7	70	84	60	105	10	-	-	9,1	9,1
- <b>B-C 22/1/A</b> - <b>B-C 22/A</b>	G 1	G 1	35	303	71	110	182	9	106	90	134	112	22	7	81	93	71	106	10	-	-	9,3 9,6	10,3 10,6
<b>C 4/1/A</b> - <b>C 4/B</b> -	G 1 1/2	G 1 1/2	43	304	71	160	182	18	106	90	134	112	22	7	85	108	78	100	10	10,8 12,6	11,8 12,8	-	-
- <b>B-C 41/1E</b> <b>C 41/A</b> <b>B-C 41/A</b>	G 1 1/2	G 1 1/2	43	380	80	160	208	9	125	100	155	125	30	9,5	85	108	78	132	10	-	-	16,3 18,5	17,9 20,1

**Characteristic curves  $n \approx 2900$  rpm**



**Characteristic curves  $n \approx 2900$  rpm**



**Features****Flexible**

The option to choose between cast iron and bronze materials for the hydraulic parts in contact with the pumped liquid allows C series pumps to be selected for use with different types of liquids.

**Solid parts**

The open impeller allows for the passage of suspended solids in pumped liquid.

**Reliable**

The bearing and shaft are designed to ensure the reduction of the stress, providing high reliability under all operating conditions.

# CT 61

## Peripheral Pump



### Construction

Close-coupled peripheral pump (regenerative pump) with turbine impeller. Compact, patented construction with single-piece motor casing and pump-side wall.

Protected against water entering the motor from outside.

CT: version with pump casing in cast iron.

B-CT: version with pump casing in bronze (the pumps are supplied fully painted).

### Applications

For clean liquids without abrasives, without suspended solids, non-explosive, non-aggressive for the pump materials.

For increasing network pressure (follow local specifications).

For the reduced dimensions, these pumps are very well suitable to be mounted in cooling and air-conditioning machines and equipments, circulation.

### Operating conditions

Liquid temperature up to 60 °C.

Ambient temperature up to 40 °C.

Total suction lift up to 7 m.

Maximum permissible working pressure: 6 bar.

Continuous duty.

### Motor

2-pole induction motor, 50 Hz ( $n \approx 2900$  rpm).

**CT 61:** three-phase 230/400 V  $\pm$  10%.

**CTM 61:** single-phase 230 V  $\pm$  10%, with thermal protector. Capacitor inside the terminal box.

Insulation class F.

Protection IP 54.

Constructed in accordance with: EN 60034-1; EN 60335-1, EN 60335-2-41.

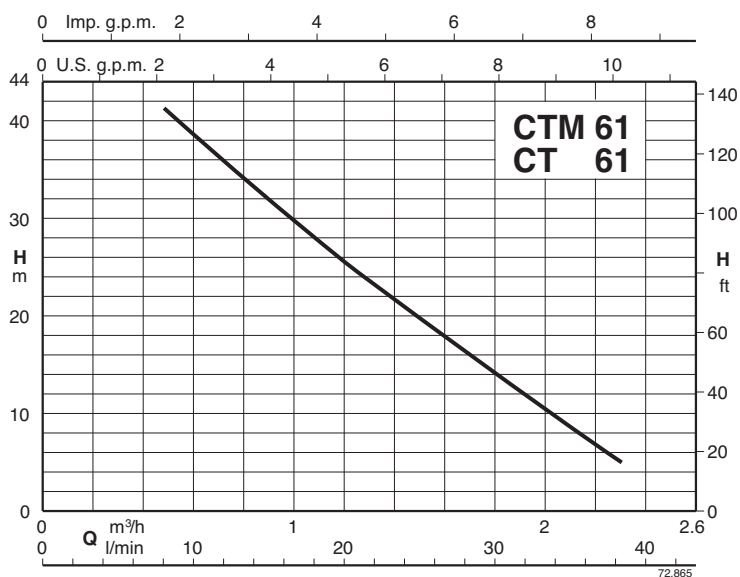
### Materials

Components	CT 61	B-CT 61
Pump casing	Cast iron GJL 200 EN 1561	Bronze G-Cu Sn 10 EN 1982
Casing cover motor side	Brass P- Cu Zn Pb 2 UNI 5705	
Impeller	Brass P- Cu Zn Pb 2 UNI 5705	
Shaft	Chrome steel 1.4104 EN 10088 (AISI 430)	
Mechanical seal	Carbon - Ceramic - NBR	

### Special features on request

- Other voltages.
- Frequency 60 Hz (as per 60 Hz data sheet).
- Special mechanical seal.

### Coverage chart $n \approx 2900$ rpm



# CT 61

## Peripheral Pump



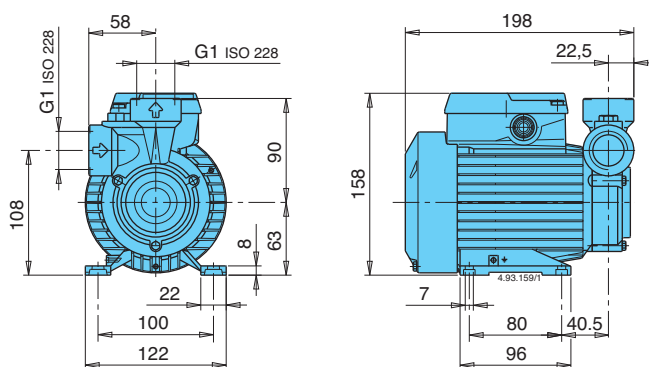
### Performance $n \approx 2900$ rpm

3~	230V 400V		1~	230V A	P <sub>1</sub> kW	P <sub>2</sub>		Q m <sup>3</sup> /h l/min	0,48 8	0,6 10	0,75 12,5	0,96 16	1,2 20	1,5 25	1,89 31,5	2,3 38
	A	A				kW	HP									
<b>CT 61/A</b> <b>B-CT 61/A</b>	1,9	1,1	<b>CTM 61/A</b> <b>B-CTM 61/A</b>	2,5	0,55	0,33	0,45	<b>H m</b>	41	38,5	35,5	31	25,5	19	11	5

H Total head in m.

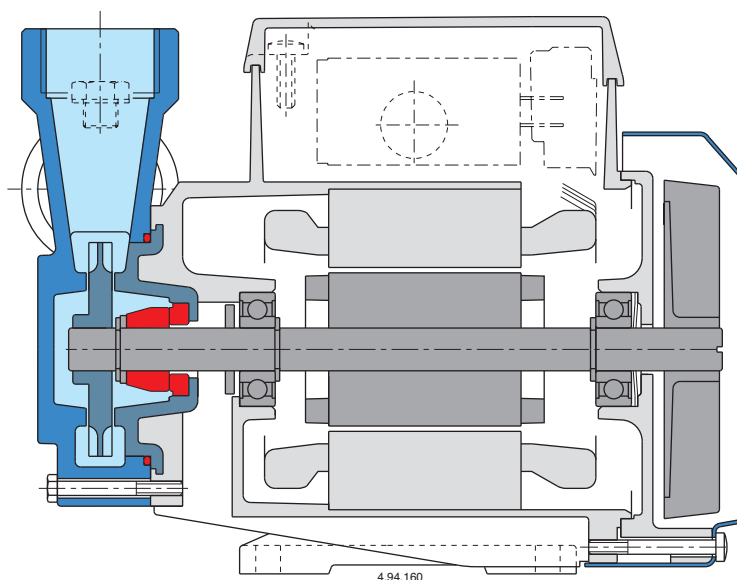
P<sub>2</sub> Rated motor power output.

### Dimensions and weights



CT 61/A **4,9** kg  
 CTM 61/A **5** kg  
 B-CT 61/A **5,1** kg  
 B-CTM 61/A **5,2** kg

### Features



4.94.160



# CT 60

## Peripheral Pump



### Construction

Close-coupled peripheral pump (regenerative pump) with turbine impeller.

Compact, patented construction with single-piece motor casing and pump-side wall.

Protected against water entering the motor from outside.

### Applications

For clean liquids without abrasives, without suspended solids, non-explosive, non-aggressive for the pump materials.

For increasing network pressure (follow local specifications).

For the reduced dimensions, these pumps are very well suitable to be mounted in cooling and air-conditioning machines and equipments, circulation.

### Operating conditions

Liquid temperature up to 60 °C.

Ambient temperature up to 40 °C.

Total suction lift up to 7 m.

Maximum permissible working pressure: 6 bar.

Continuous duty.

### Motor

2-pole induction motor, 50 Hz ( $n \approx 2900$  rpm).

**CT 60:** three-phase 230/400 V  $\pm 10\%$ .

**CTM 60:** single-phase 230 V  $\pm 10\%$ , with thermal protector. Capacitor inside the terminal box.

Insulation class F.

Protection IP 54.

Constructed in accordance with: EN 60034-1;

EN 60335-1, EN 60335-2-41.

### Materials

Components	Materials
Pump casing	Cast iron GJL 200 EN 1561
Casing cover motor side	Brass P- Cu Zn Pb 2 UNI 5705
Impeller	Brass P- Cu Zn Pb 2 UNI 5705
Shaft	Chrome steel 1.4104 EN 10088 (AISI 430)
Mechanical seal	Carbon - Ceramic - NBR

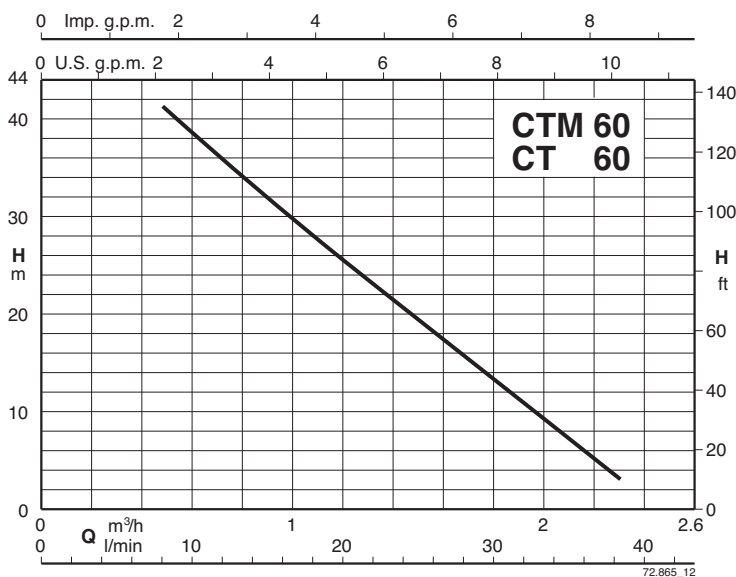
### Special features on request

- Other voltages.

- Frequency 60 Hz (as per 60 Hz data sheet).

- Special mechanical seal.

### Coverage chart $n \approx 2900$ rpm



# CT 60

## Peripheral Pump



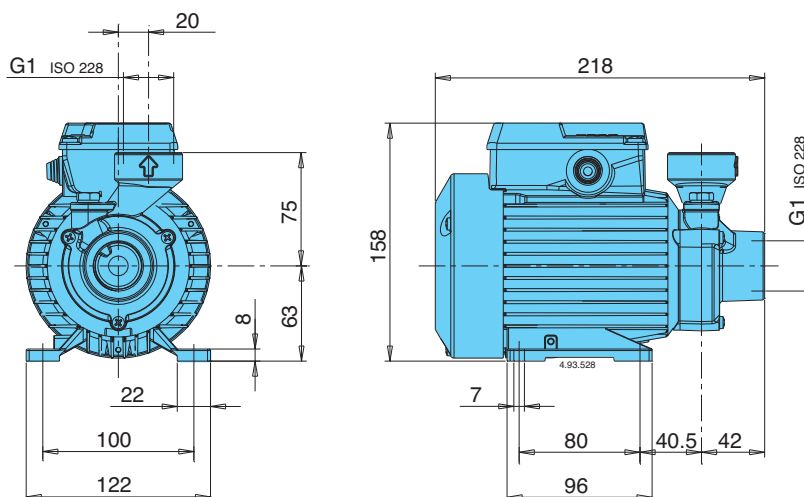
### Performance $n \approx 2900$ rpm

3~	230V 400V		1~	230V	P <sub>1</sub>	P <sub>2</sub>		Q								
	A	A				A	kW		kW	HP	m <sup>3</sup> /h	0,48	0,6	0,75	0,96	1,2
CT 60/A	1,9	1,1	CTM 60/A	2,5	0,55	0,33	0,45	H m	41	38,5	35,5	31	25,5	19	11	3

H Total head in m.

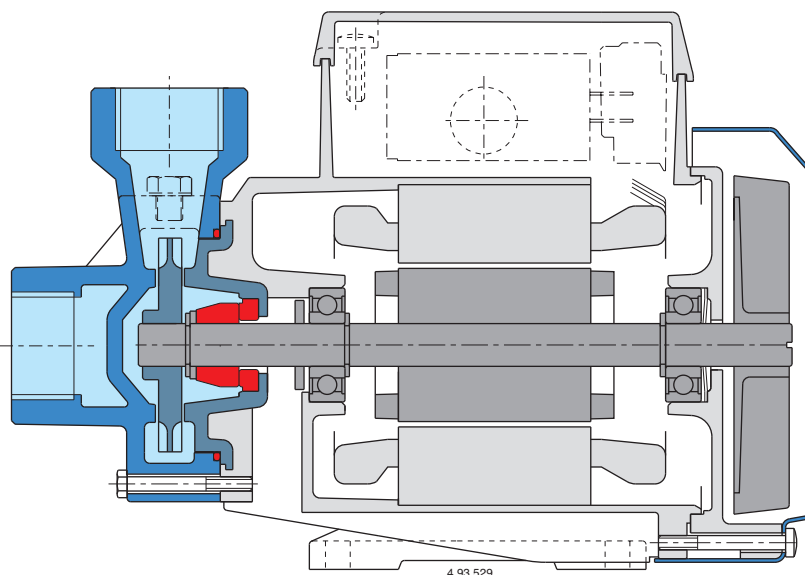
P<sub>2</sub> Rated motor power output.

### Dimensions and weights



CT 60/A 4,9 kg  
CTM 60/A 5 kg

### Features



Patented

# T, TP

## Peripheral Pumps



### Construction

Close-coupled peripheral pumps (regenerative pumps) with turbine impeller.  
 T, TP: version with pump casing and lantern bracket in cast iron.  
 B-T, B-TP: version with pump casing and lantern bracket in bronze (the pumps are supplied fully painted).

### Applications

For clean liquids without abrasives, without suspended solids, non-explosive, non-aggressive for the pump materials.  
 For increasing network pressure (follow local specifications).  
 For the reduced dimensions, these pumps are very well suitable to be mounted in cooling and air-conditioning machines and equipments, circulation, boiler feed.

### Operating conditions

Liquid temperature from -10 °C to +90 °C.  
 Ambient temperature up to 40 °C.  
 Total suction lift up to 7 m.  
 Maximum permissible working pressure: 12,5 bar (16 bar for TP).  
 Continuous duty.

### Motor

2-pole induction motor, 50 Hz ( $n \approx 2900$  rpm).  
**T, TP:** three-phase 230/400 V  $\pm 10\%$  up to 3 kW;  
 400/690 V  $\pm 10\%$  from 4 to 7,5 kW;  
**TM, TPM:** single-phase 230 V  $\pm 10\%$  with thermal protector.  
 Capacitor inside the terminal box.

Insulation class F.  
 Protection IP 54.  
**Classification scheme IE3 for three-phase motors from 0,75 kW.**  
 Constructed in accordance with: EN 60034-1; EN 60034-30-1.  
 EN 60335-1, EN 60335-2-41.

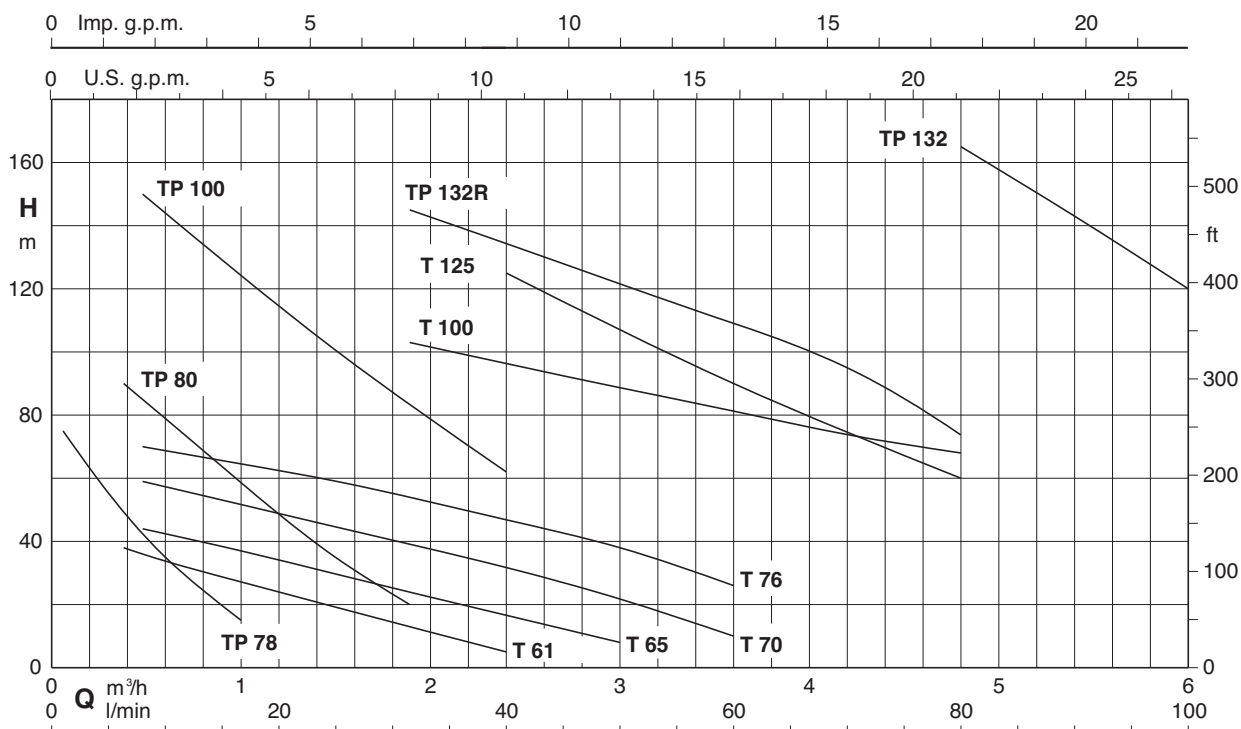
### Special features on request

- Other voltages.
- Frequency 60 Hz (as per 60 Hz data sheet).
- Protection IP 55.
- Special mechanical seal.
- Higher or lower liquid or ambient temperatures.
- Construction with bearing bracket.

### Materials

Components	T, TP	B-T, B-TP
Pump casing	Cast iron	Bronze
Lantern bracket	GJL 200 EN 1561	G-Cu Sn 10 EN 1982
Casing cover	Cast iron	Bronze
	GJL 200 EN 1561	G-Cu Sn 10 EN 1982
	Brass P- Cu Zn Pb 40 2 UNI 5705 for T 61-65-70, B-T 61-70	
Impeller	Brass P- Cu Zn 40 Pb 2 UNI 5705	
	Bronze G-Cu Sn 10 EN 1982 for T 125, TP 132-132R	
Shaft	Cr-Ni steel AISI 303 T 76, Tp 80-100	Cr-Ni-Mo steel AISI 316
	Chrome steel AISI 430 T 61-65-70-100-125, Tp 78-132-132R	
Mechanical seal	Carbon - Ceramic - NBR	

### Coverage chart $n \approx 2900$ rpm



### Performance $n \approx 2900$ rpm

3 ~	230V 400V		1 ~	230V P <sub>1</sub>		P <sub>2</sub>		Q m <sup>3</sup> /h l/min	H																	
	A	A		A	kW	kW	HP		0,06	0,12	0,24	0,38	0,48	0,6	0,75	1	1,2	1,5	1,89	2,4	3	3,6	4,2	4,8	5,4	6
B-T 61E	1,9	1,1	B-TM 61E	2,5	0,55	0,33	0,45		1	2	4	6,3	8	10	12,5	16	20	25	31,5	40	50	60	70	80	90	100
B-T 65E	2,8	1,6	B-TM 65E	3,5	0,8	0,45	0,6					38	36	34	31,5	28	24	19	12,5	5						
B-T 70/B	3,7	2,2	B-TM 70/A	6	1,3	0,75	1					44	42	40	37	33	29	24	16	8						
T 76/A	5,3	3	TM 76E	7,4	1,6	1,1	1,5					59	57	55	51	48	43	38	30	22	10					
T 100/A	11,5	6,6				3	4					70	68	67	65	62	58	53	46	38	26					
T 125/B		9,6				4	5,5											103	97	89	82	75	68			
B-TP 78/A	2,3	1,3	B-TPM 78/A	2,8	0,6	0,37	0,5		75	70	60	50	42	35	25	15			125	110	90	75*	60*			
B-TP 80E	4	2,3	B-TPM 80E	5,8	1,2	0,75	1					90	85	79	73	61	48	34	20							
TP 100/B	9,6	5,5				2,2	3					150	144	136	125	115	100	84	62							
TP 132R/A		10,9				5,5	7,5											145	135	120	110	95	70			
TP 132/A		14,3				7,5	10																	165	143*	120*

P1 Maximum power input.

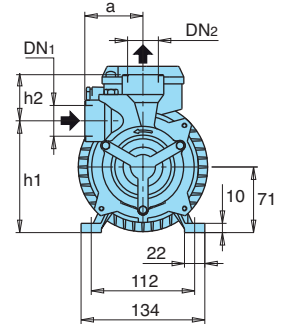
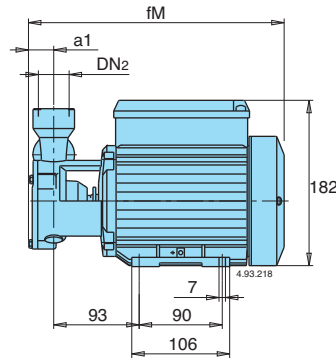
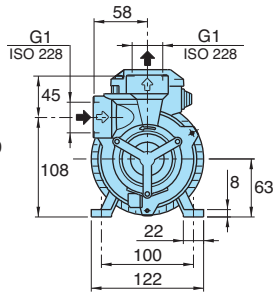
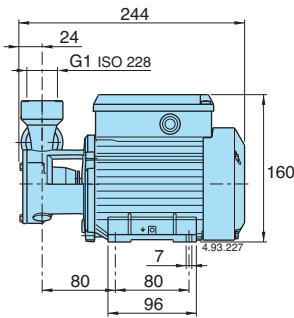
B-T, B-TM = Bronze construction.

H Total head in m.

\* Maximum suction lift 2-3 m.

P2 Rated motor power output.

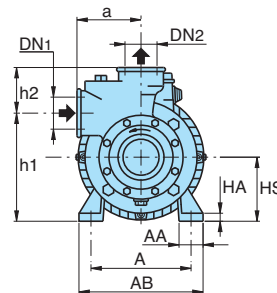
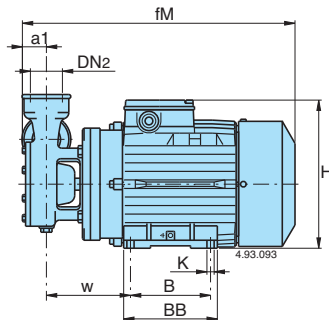
### Dimensions and weights



T 61E: kg 6,3  
B-T 61E: kg 6,5

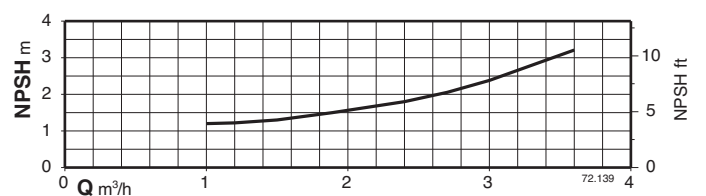
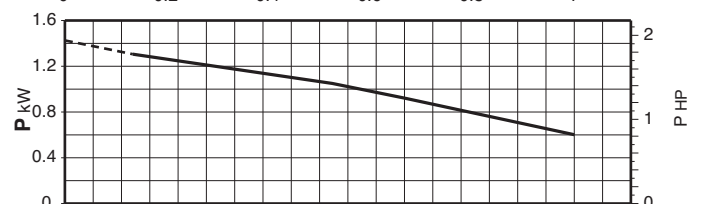
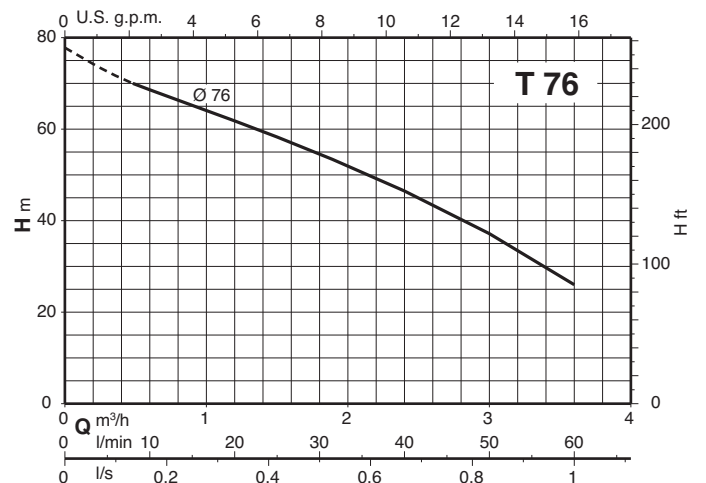
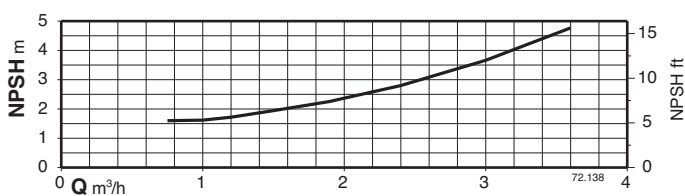
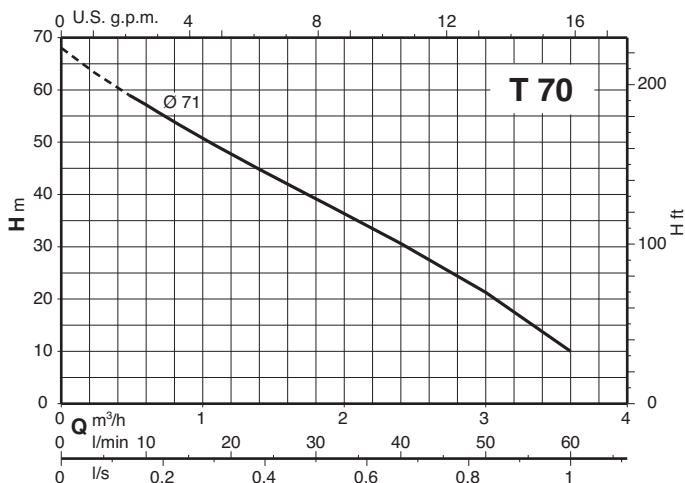
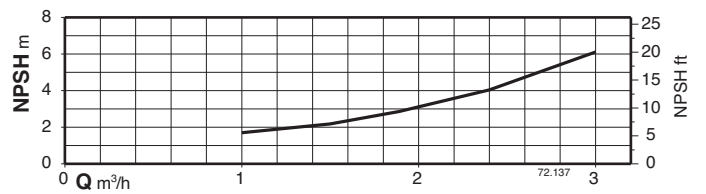
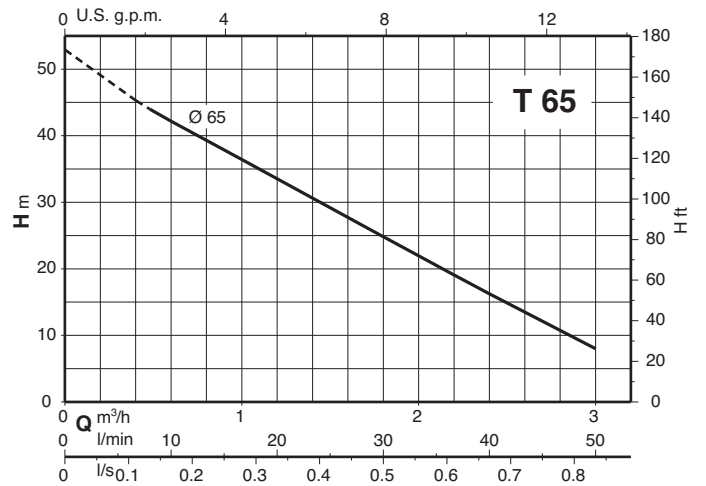
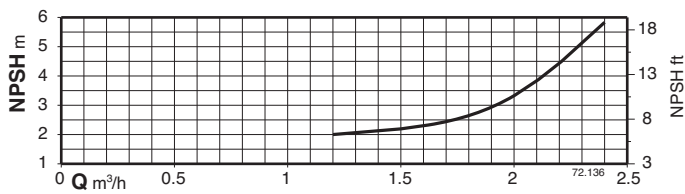
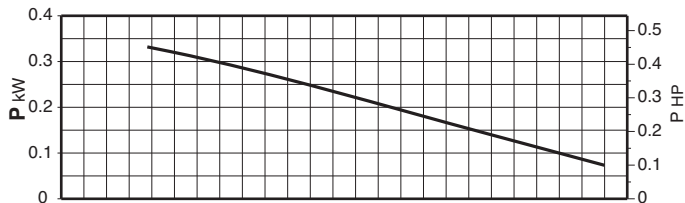
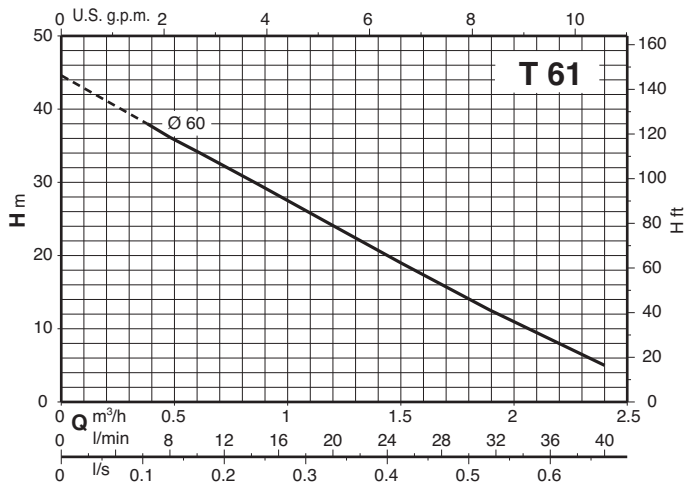
T 65E: kg 7,3  
B-T 65E: kg 7,5

TYPE	DN1	DN2	mm					kg	
			ISO 228	a1	fM	h2	h1	a	T
T 70/B B-T 70/B	G 1	G 1	24	278	50	121	63	12	12,4
TP 78/A B-TP 78/A	G 1/2	G 1/2	22	276	24	127	56	8,2	8,8

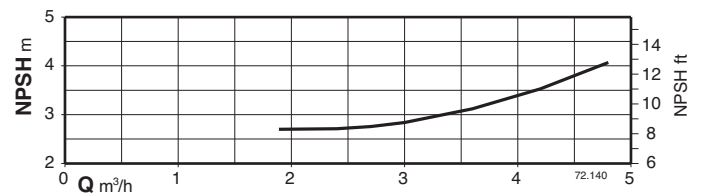
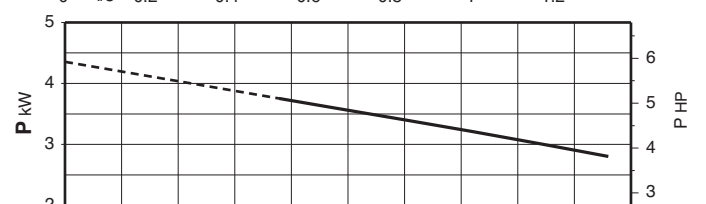
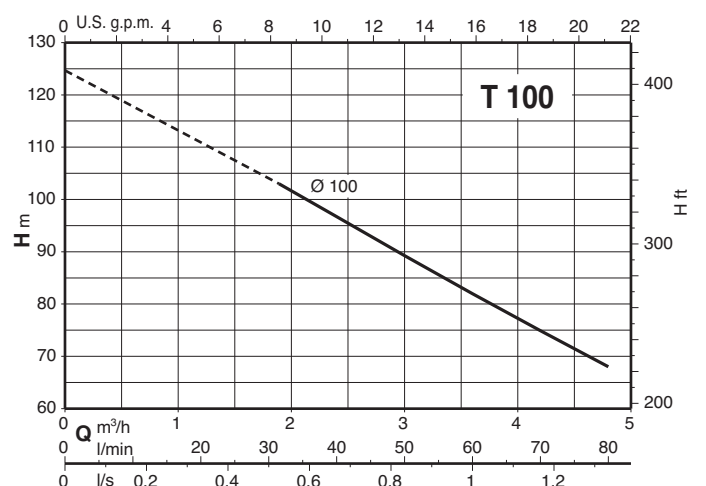
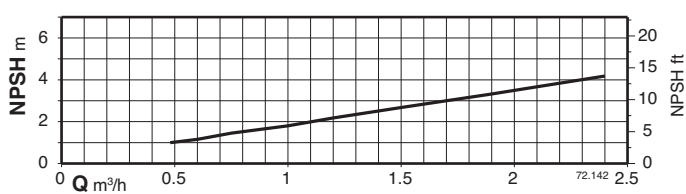
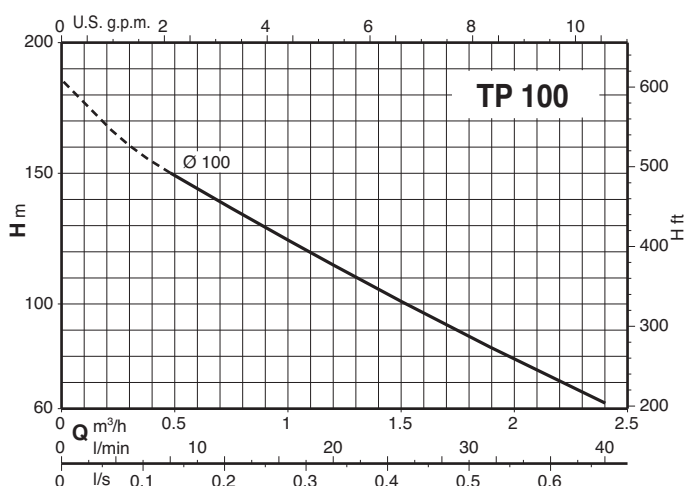
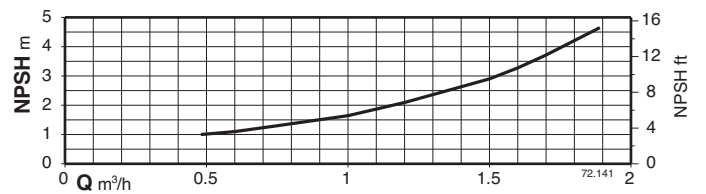
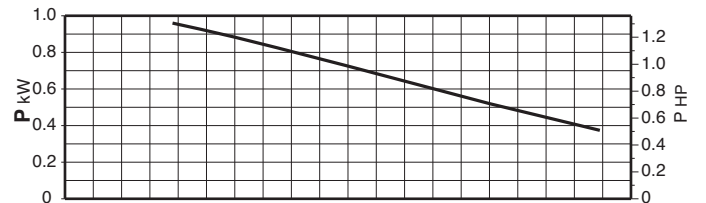
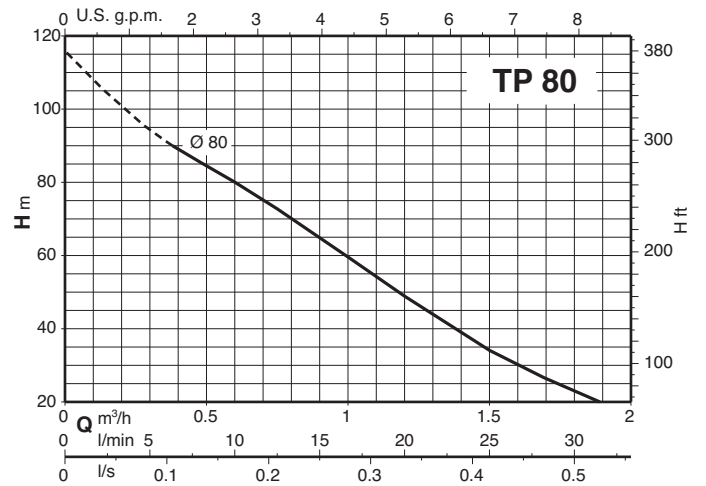
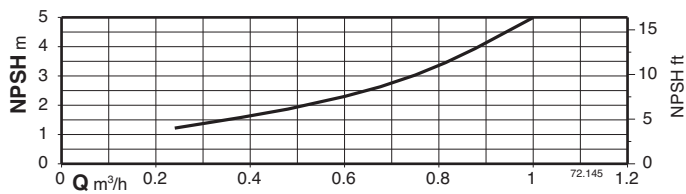
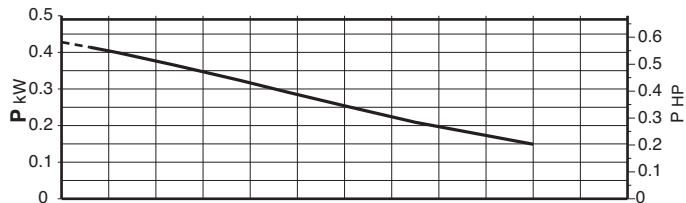
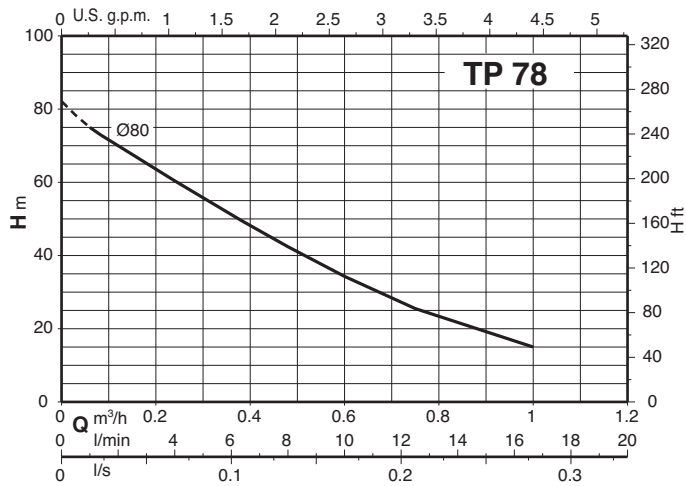


TYPE	DN1	DN2	mm														kg			
			ISO 228	a1	fM	HS	h2	h1	H	BB	B	AB	A	AA	K	a	w	HA	T, TP	B-TP
T 76/A	-	G 1 1/4	G 1 1/4	26	338	80	56	136	208	117	100	155	125	30	9	80	105	10	18,4	-
T 100/A	-	G 1 1/4	G 1 1/4	32	410	90	59	161	226	152	125	180	140	40	9,5	95	121	12	32,5	-
T 125/B	-	G 1 1/4	G 1 1/4	32	470	90	75	170	226	152	125	180	140	40	9,5	90	195	12	39,5	-
TP 80E B-TP 80E	-	G 3/4	G 3/4	27	332	80	35	135	208	117	100	155	125	30	9	60	104	10	16,4	16,8
TP 100/B	-	G 3/4	G 3/4	27	387	80	38	142	208	117	100	155	125	30	9	65	113	10	23,2	-
TP 132R/A	-	G 1 1/4	G 1 1/4	42	485	112	70	202	272	180	140	230	190	50	11,5	100	183	14	53,6	-
TP 132/A	-	G 1 1/4	G 1 1/4	42	485	112	70	202	272	180	140	230	190	50	11,5	100	183	14	58,5	-

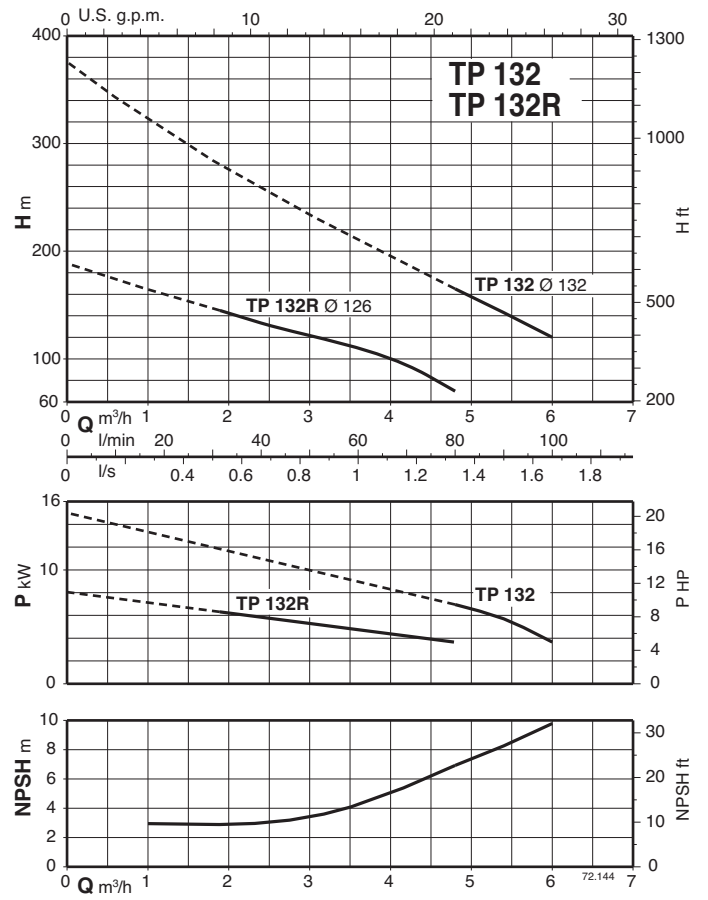
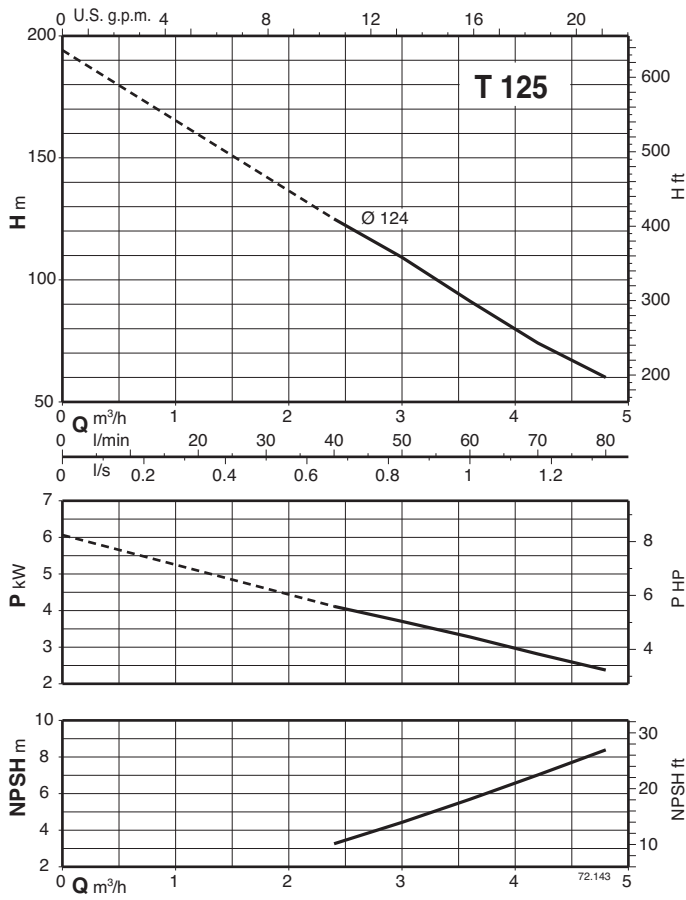
### Characteristic curves $n \approx 2900$ rpm

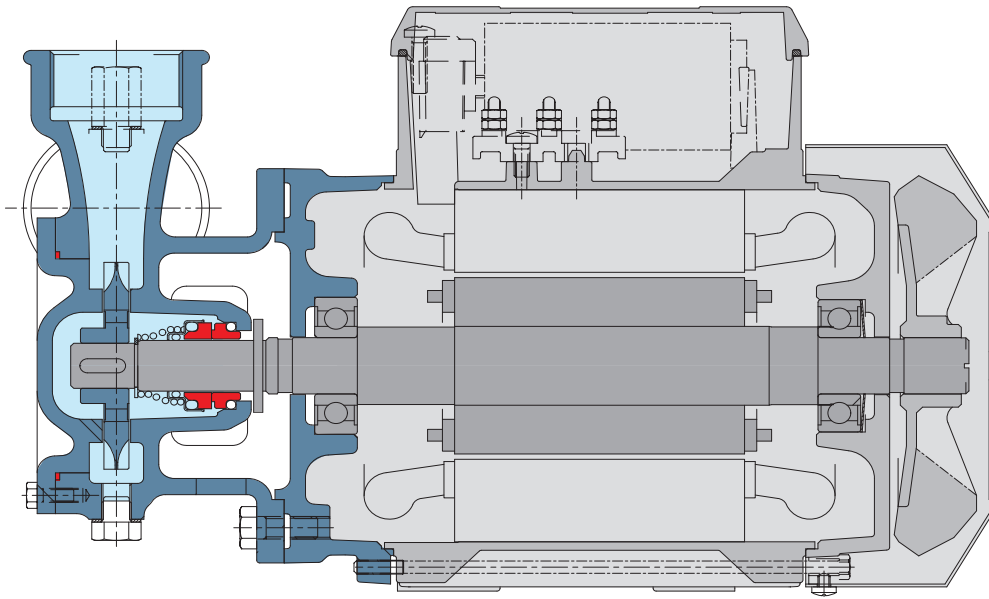


### Characteristic curves $n \approx 2900$ rpm



### Characteristic curves $n \approx 2900$ rpm



**Features****Range**

The high number of pumps in the range can meet the widest range of services required by the user.

**Flexible**

The option to choose between cast iron and bronze materials for the hydraulic parts in contact with the pumped liquid allows T-TP series pumps to be selected for use with different types of liquids.

**Reliable**

The bearing and shaft are designed to ensure the reduction of the stress, providing high reliability under all operating conditions.

**Optimized hydraulics**

The pump hydraulics are designed to ensure high performance and consistency of performance.





### Construction

Close-coupled self-priming liquid ring pumps with star impeller and anti-lock wear ring.

CA: version with pump casing and lantern bracket in cast iron.

B-CA: version with pump casing and lantern bracket in bronze (the pumps are supplied fully painted).

### Applications

For clean liquids without abrasives, without suspended solids, non-explosive, non-aggressive for the pump materials.

If the liquid to be pumped has entrained air or gas or the flow in the suction pipe is not stable.

For drawing water out of a well.

For increasing network pressure (follow local specifications).

### Operating conditions

Liquid temperature from -10 °C to +90 °C.

Ambient temperature up to 40 °C.

Negative suction pressure up to 9 m.

Maximum permissible working pressure: 6 bar.

Continuous duty.

### Motor

2-pole induction motor, 50 Hz ( $n \approx 2900$  rpm).

**CA:** three-phase 230/400 V  $\pm$  10%.

**CAM:** single-phase 230 V  $\pm$  10%, with thermal protector. Capacitor inside the terminal box.

Insulation class F.

Protection IP 54.

**Classification scheme IE3 for three-phase motors from 0,75 kW.**

Constructed in accordance with: EN 60034-1; EN 60034-30-1.

EN 60335-1, EN 60335-2-41.

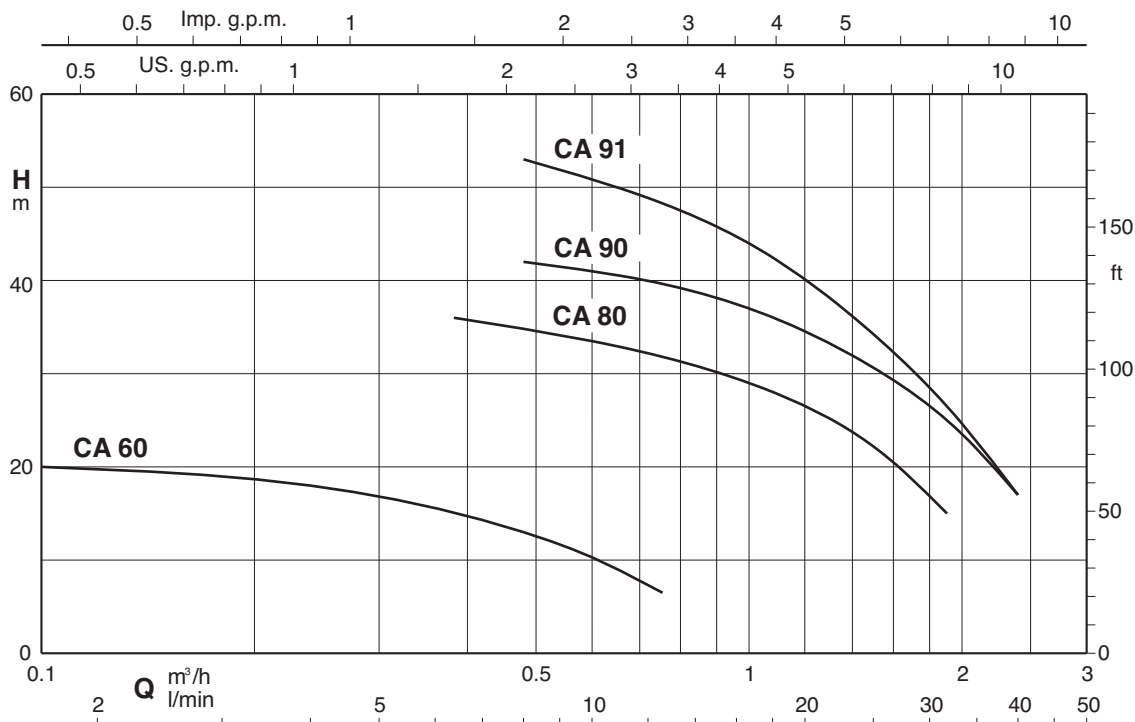
### Materials

Components	CA	B-CA
Pump casing	Cast iron	Bronze
Lantern bracket	GJL 200 EN 1561	G-Cu Sn 10 EN 1982
Impeller	Brass P- Cu Zn Pb 2 UNI 5705	
Shaft	Chrome steel 1.4104 EN 10088 (AISI 430)	Cr-Ni-Mo steel 1.4401 EN 10088 (AISI 316)
Mechanical seal	Carbon - Ceramic - NBR	

### Special features on request

- Other voltages.
- Frequency 60 Hz (as per 60 Hz data sheet).
- Protection IP 55.
- Special mechanical seal
- Higher or lower liquid or ambient temperatures.
- Construction with bearing bracket.

### Coverage chart $n \approx 2900$ rpm



### Performance $n \approx 2900$ rpm

3 ~	230 V 400 V		1 ~	230 V		P <sub>1</sub>		P <sub>2</sub>		Q m <sup>3</sup> /h l/min	H										
	A	A		A	kW	kW	HP	m	0,12		0,24	0,38	0,48	0,6	0,75	1	1,2	1,5	1,89	2,4	
CA 60E B-CA 60E	1,7	1	CAM 60E B-CAM 60E	1,6	0,26	0,15	0,2	H m	20	18	15,5	13	10,5	6,5							
CA 80E B-CA 80/A	2,8 2,3	1,6 1,3	CAM 80E B-CAM 80/A	3,3 3,6	0,72	0,45	0,6				36	35	33,5	31,5	29	26	22	15			
CA 90/A B-CA 90/A	3	1,7	CAM 90/A B-CAM 90/A	4,5	0,9	0,55	0,75					42	41	40	37	34	30	25	17		
CA 91/B B-CA 91/B	3,7	2,2	CAM 91/A B-CAM 91/A	5,7	1,2	0,75	1					53	51	48	44	39	34	26,5	17		

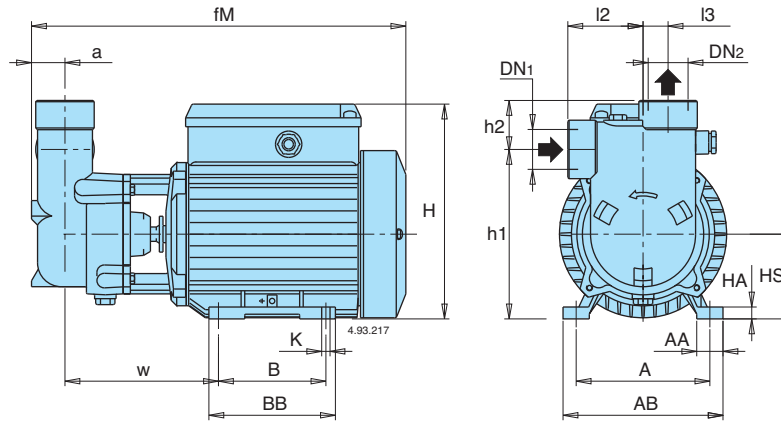
P<sub>1</sub> Maximum power input.

P<sub>2</sub> Rated motor power output.

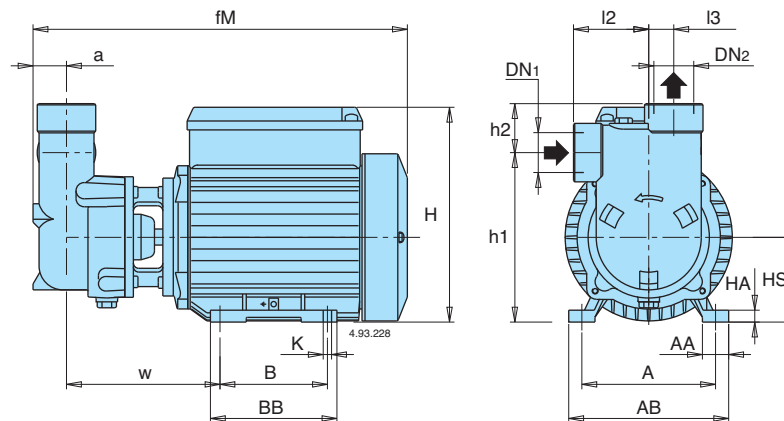
B-CA = Bronze construction.

H Total head in m.

### Dimensions and weights

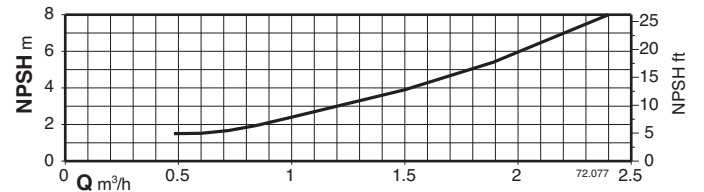
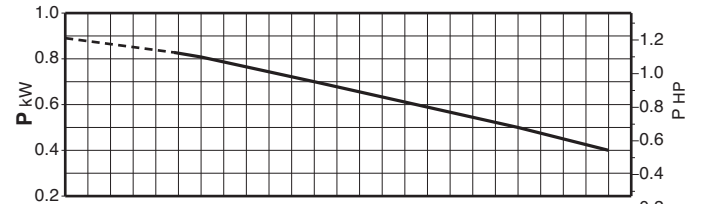
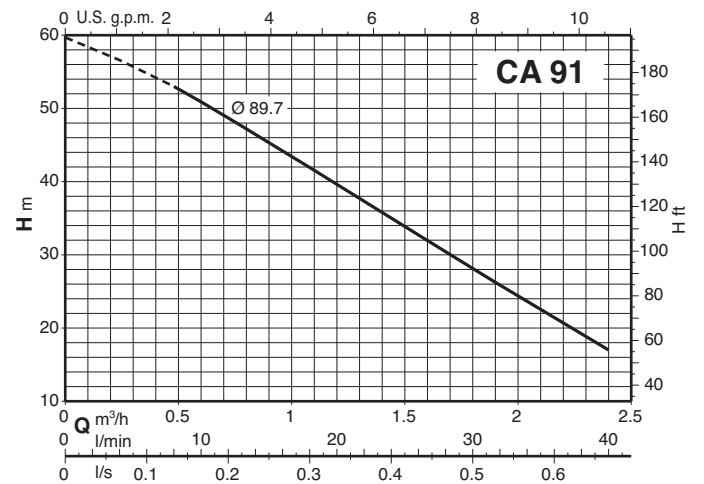
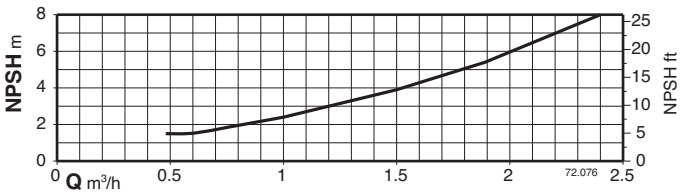
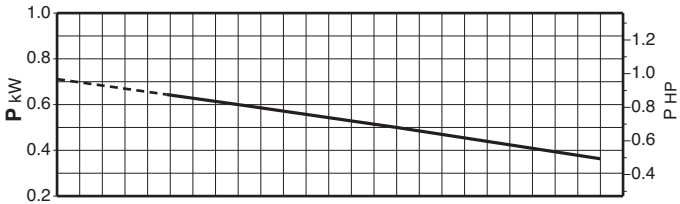
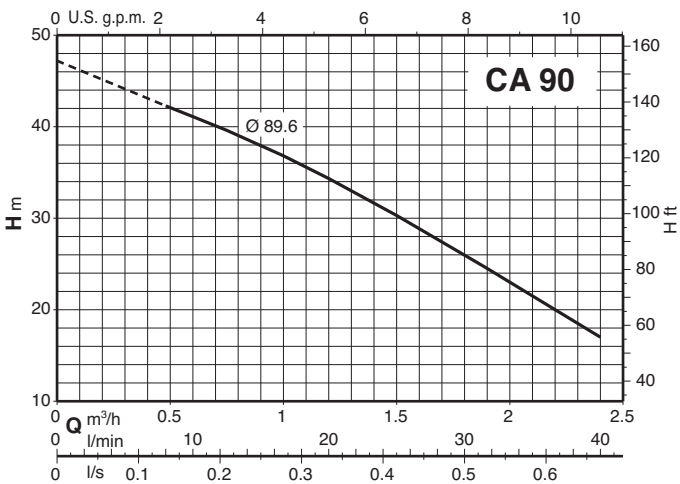
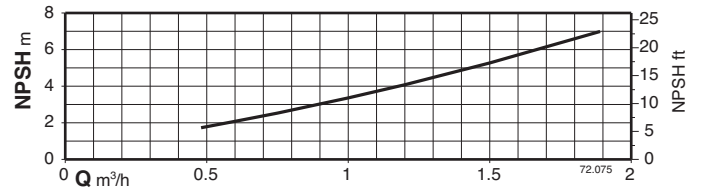
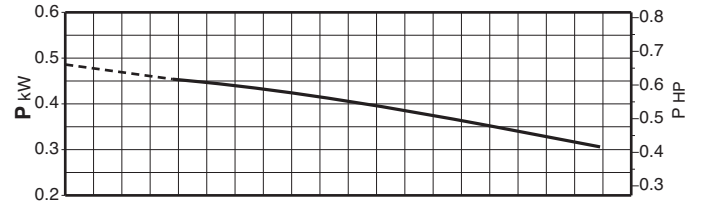
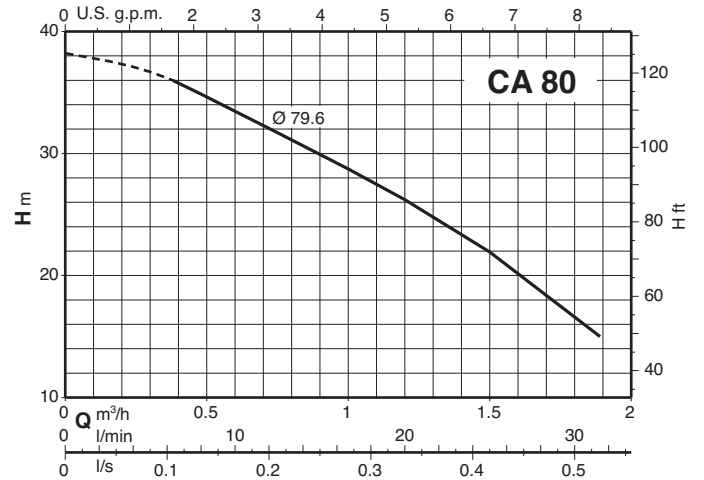
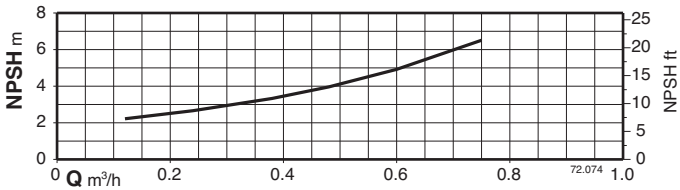
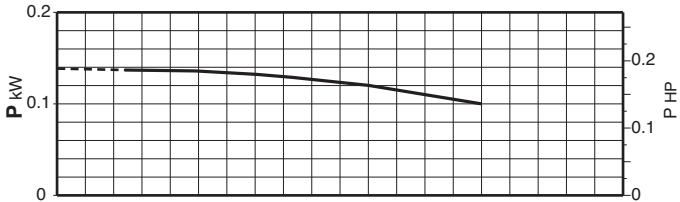
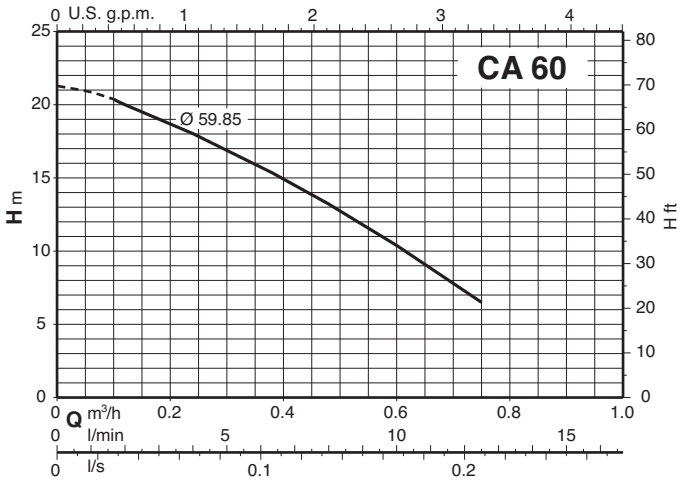


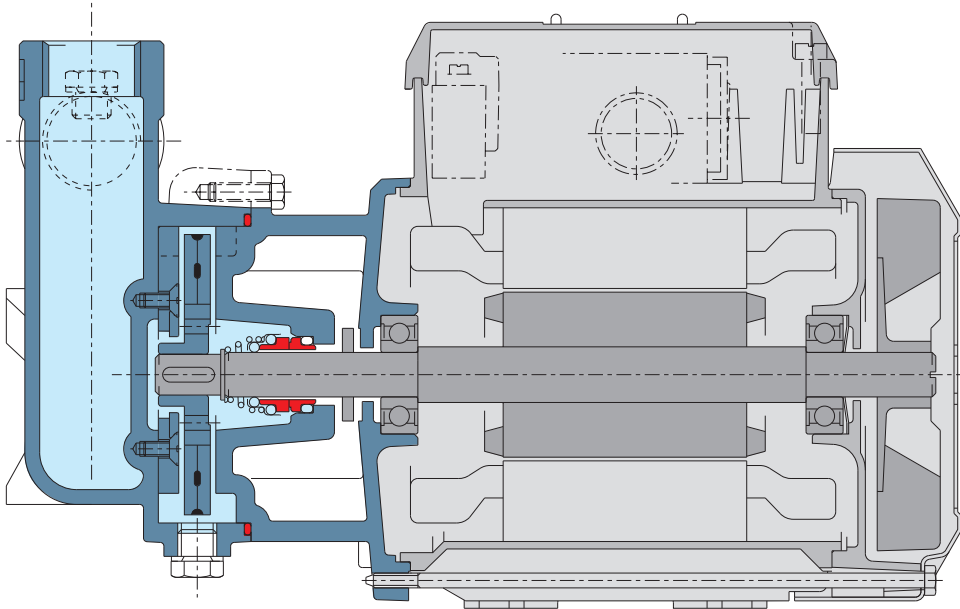
TYPE	DN1	DN2	mm															kg			
			ISO 228	a	fM	HS	h2	h1	H	BB	B	AB	A	AA	K	I2	I3	w	HA	CA	B-CA
CA 60E - B-CA 60E	G 1/2	G 1/2		18	256	63	25	103	158	96	80	122	100	22	7	45	14	103	8	6	6,8
CA 80E	G 3/4	G 3/4		23	272	63	27	126	158	96	80	122	100	22	7	55	17	109	8	7,6	-
CA 90/A	G 1	G 1		28	318	71	41	142	182	106	90	134	112	22	7	63	21	128	10	10,8	-
CA 91/B																					12,2



TYPE	DN1	DN2	mm															kg			
			ISO 228	a	fM	HS	h2	h1	H	BB	B	AB	A	AA	K	I2	I3	w	HA	B-CA	
B-CA 80/A	G 3/4	G 3/4		23	307	71	27	134	182	106	90	134	112	22	7	55	17	122	10	10	
B-CA 90/A	G 1	G 1		28	318	71	41	142	182	106	90	134	112	22	7	63	21	128	10	13,1	
B-CA 91/B																					14,7

### Characteristic curves $n \approx 2900$ rpm



**Features****Fast self priming**

The hydraulic design ensures fast self priming once the pump body is filled with water.

**Flexible**

The option to choose between cast iron and bronze materials for the hydraulic parts in contact with the pumped liquid allows CA series pumps to be selected for use with different types of liquids.

**Easy maintenance**

The construction features an anti-wear ring screwed to the pump body, allowing for rapid replacement in case of wear.



### Construction

Close-coupled self-priming shallow-well pump with built-in ejector.

### Applications

- For drawing water out of a well.
- For lifting water containing air or other gases.
- For increasing water pressure from flooded suction applications.
- As pressure boosting pump for central water systems with low pressure (follow local specifications if increasing network pressure).
- For garden use.
- For washing with a jet of water.

### Operating conditions

- Liquid temperature: 0 °C to +35 °C.
- Ambient temperature up to +40 °C.
- Suction lift up to 9 m.
- Maximum permissible pressure in the pump casing: 8 bar.
- Continuous duty.

### Motor

- 2-pole induction motor, 50 Hz (n ≈ 2800 rpm).
- NGL:** three-phase 230/400 V ± 10%.
- NGLM:** single-phase 230 V ± 10%, with thermal protector. Capacitor inside the terminal box.
- Insulation class F.
- Protection IP 54.
- Classification scheme IE3 for three-phase motors from 0,75 kW.**
- Constructed in accordance with: EN 60034-1; EN 60034-30-1. EN 60335-1, EN 60335-2-41.

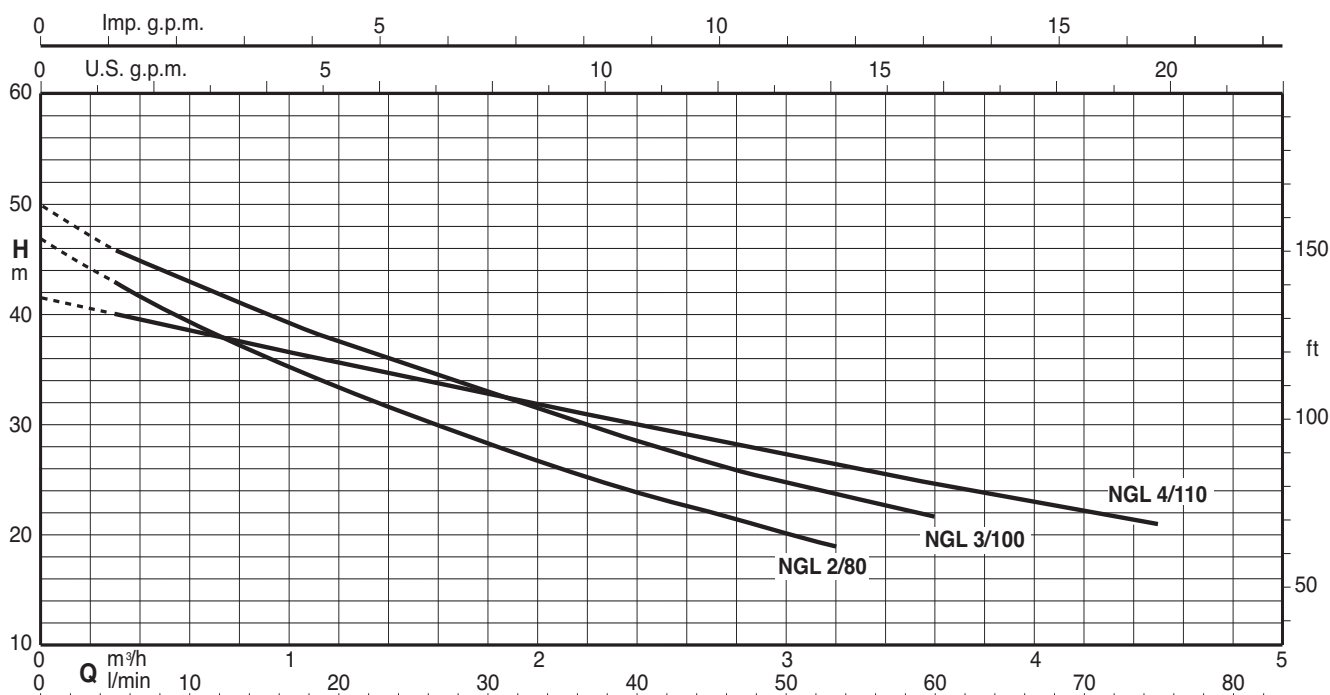
### Materials

Component	Material
Pump casing	Cast iron GJL 200 EN 1561
Casing cover	Cr-Ni steel 1.4301 EN 10088 (AISI 304)
Impeller	PPO-GF20 (Noryl)
Wear ring impeller-diffuser	Cr-Ni steel 1.4301 EN 10088 (AISI 304)
Diffuser	PPO-GF20 (Noryl)
Ejector	PPO-GF20 (Noryl)
Shaft	Chrome steel 1.4104 EN 10088 (AISI 430)
Mechanical seal	Carbon - Ceramic - NBR

### Special features on request

- Other voltages.
- Frequency 60 Hz (as per 60 Hz data sheet).

## Characteristic curves n ≈ 2800 rpm



72.1072.1

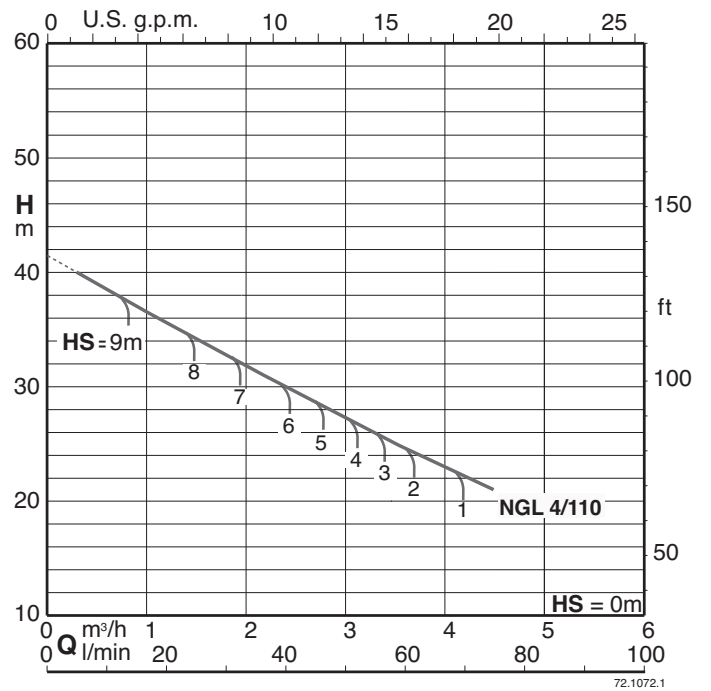
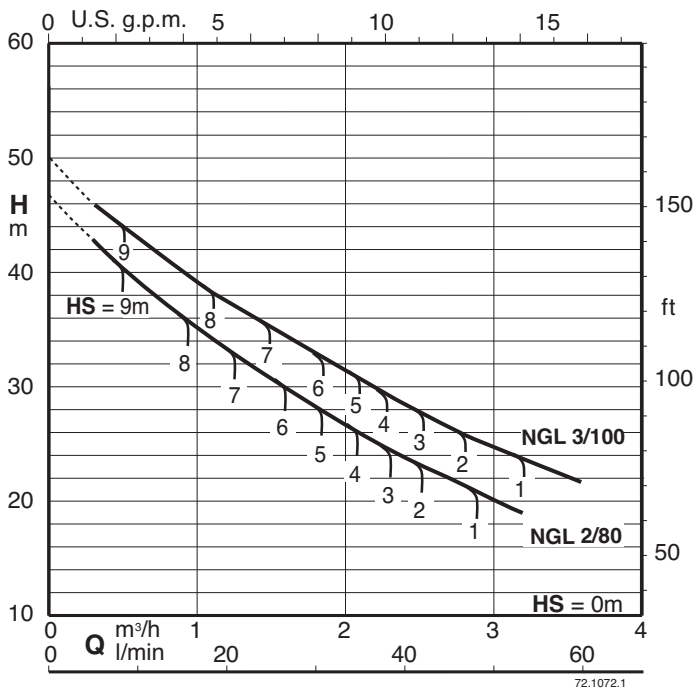
### Performance $n \approx 2800$ rpm

3~	230V 400V		1~	230V		P1		P2		Q										
		A		A	A	kW	kW	HP	m <sup>3</sup> /h	l/min	0	0,3	1	2	2,4	3	3,2	3,6	4	4,5
<b>NGL 2/80</b>	2,8	1,6	<b>NGLM 2/80</b>	3,8	0,8	0,55	0,75	H m	46,8	43	35,2	26,7	23,9	20,2	19,1					
<b>NGL 3/100</b>	3	1,7	<b>NGLM 3/100</b>	4,5	0,95	0,65	0,9		50	45,9	39,4	31,3	28,5	24,8	23,7	21,7				
<b>NGL 4/110</b>	3,7	2,2	<b>NGLM 4/110</b>	5,4	1	0,75	1		41,6	40	36,6	31,9	30	27,3	26,4	24,6	23	21,1		

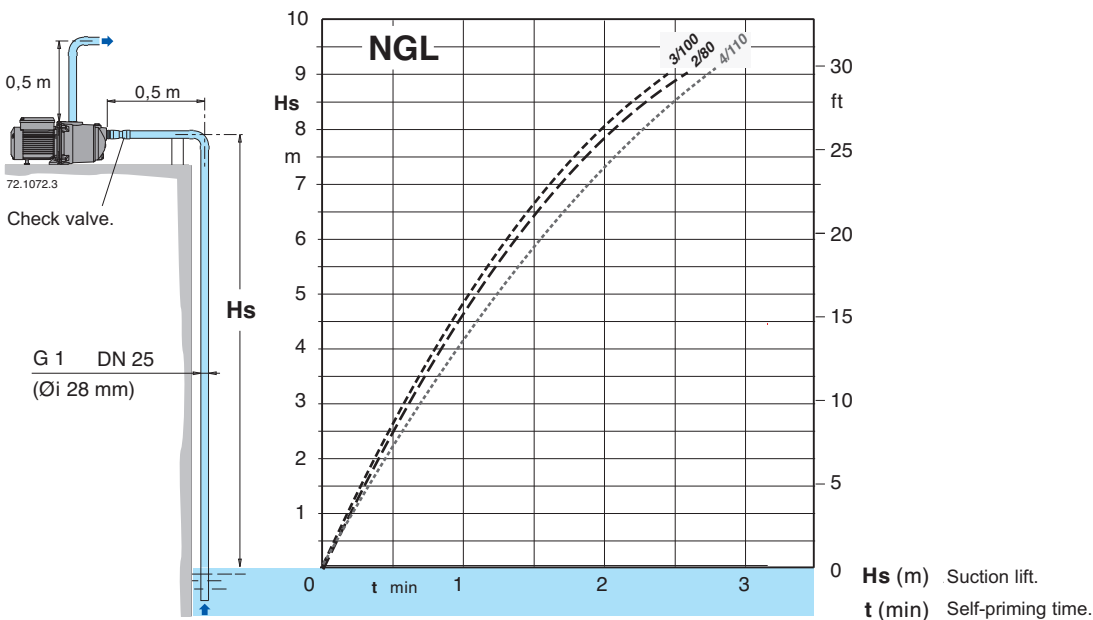
P1 Max. power input. P2 Rated motor power output.

Tolerances according to UNI EN ISO 9906:2012

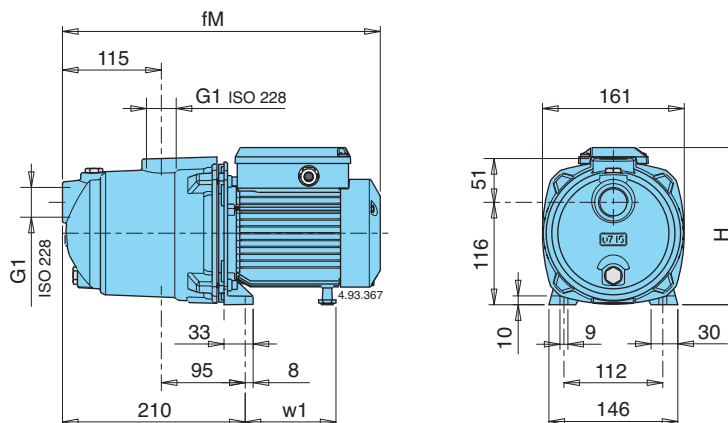
### Characteristic Curves for different suction lifts Hs



### Self-priming capability

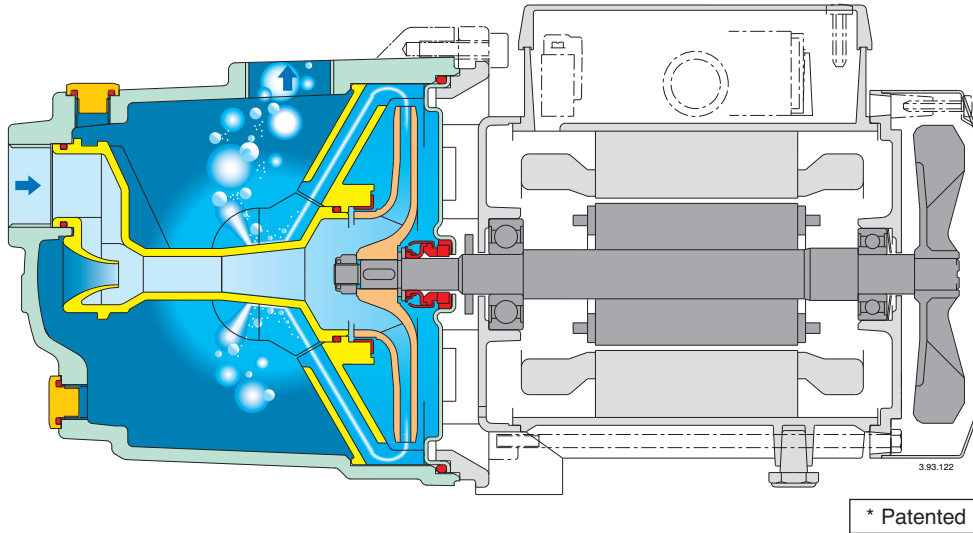


### Dimensions and weights



TYPE	Dimensions mm			Net weight kg	
	fM	H	w1	NGL	NGLM
<b>NGL 2/80</b>	362	176	102	9,8	9,9
<b>NGL 3/100</b>	391	192	112	11,1	12,1
<b>NGL 4/110</b>	391	192	112	13,1	13,1

### Features



#### **A different pump with new features**

An exclusive diffuser design with flow control device\* provides for compact construction, fast self-priming capability and low noise.

#### **Reliable**

With new design features the NGL is more robust and forgiving when temporary abnormal operating conditions may exist.

#### **Compact**

The NGL is smaller than conventional pumps of a similar type, allowing for installation in restricted spaces and providing for easier retrofit applications.

#### **Safe**

Fast air evacuation reduces the risk of air-pockets developing at the mechanical seal preventing the danger of seal failure due to a lack of flushing and cooling.

#### **Better self-priming**

The NGL are capable of lifting water from depths of 9 m in less than 3 minutes, offers new possibilities on suction lift applications and provides better trouble free service on normal shallow-well suction lift duties, also with a long suction pipe above the water level.

#### **Low noise**

The new diffuser and flow control device\* guide the fluid from the impeller into the central part of the pump casing, reducing turbulence and velocity, with effective use of the surrounding liquid in dampening the noise of flow.





### Construction

Close-coupled self-priming shallow-well pump with built-in ejector.

A high-quality pump for domestic water supply. Designed with environmental considerations, featuring a stainless steel casing.

### Applications

For drawing water out of a well.

For lifting water containing air or other gases.

For increasing water pressure from flooded suction applications.

As pressure boosting pump for central water systems with low pressure (follow local specifications if increasing network pressure).

For garden use.

For washing with a jet of water.

### Operating conditions

Liquid temperature: 0 °C to +35 °C.

Ambient temperature up to +40 °C.

Suction lift up to 9 m.

Maximum permissible pressure in the pump casing: 8 bar.

Continuous duty.

### Motor

2-pole induction motor, 50 Hz ( $n \approx 2800$  rpm).

**NGX:** three-phase 230/400 V  $\pm 10\%$ .

**NGXM:** single-phase 230 V  $\pm 10\%$ , with thermal protector.  
Capacitor inside the terminal box.

Insulation class F.

Protection IP 54.

**Classification scheme IE3 for three-phase motors from 0,75 kW.**

Constructed in accordance with: EN 60034-1; EN 60034-30-1.  
EN 60335-1, EN 60335-2-41.

### Special features on request

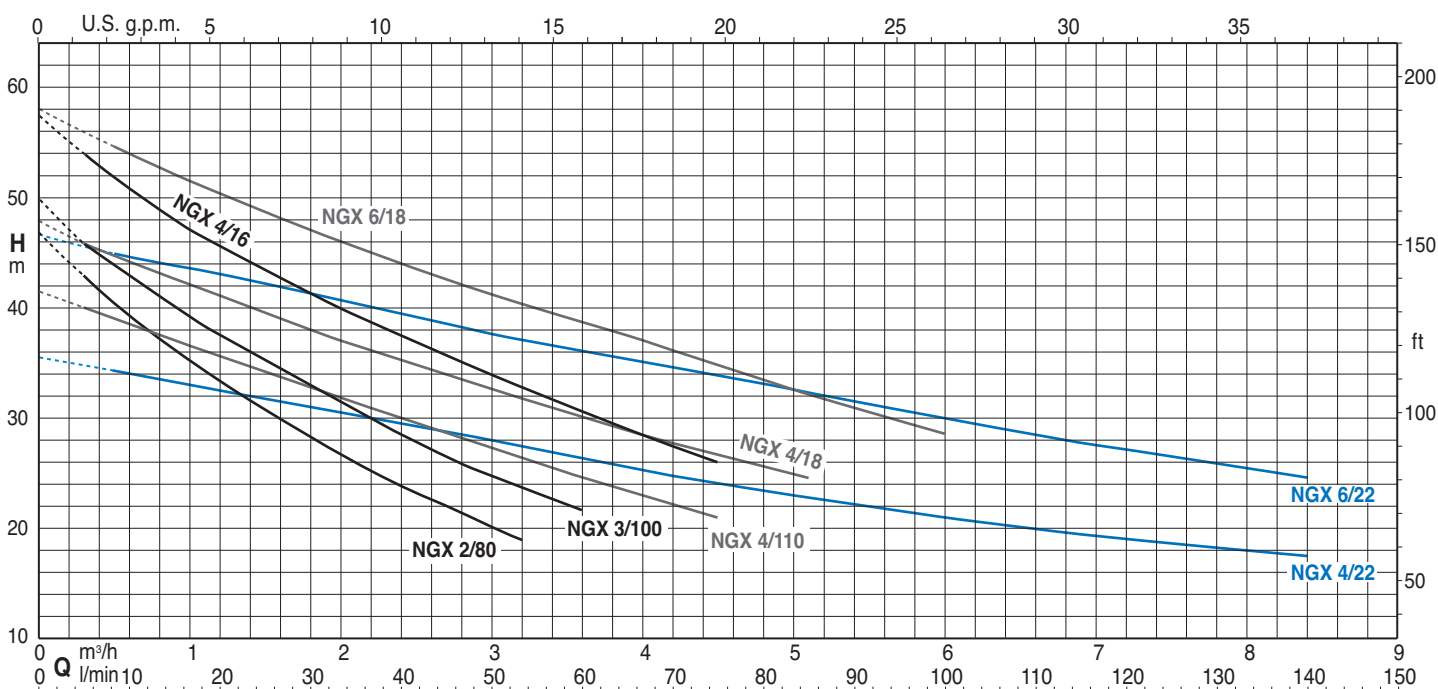
- Other voltages.

- Frequency 60 Hz (as per 60 Hz data sheet).

### Materials

Component	Material
Pump casing	Cr-Ni steel 1.4301 EN 10088 (AISI 304)
Casing cover	Cr-Ni steel 1.4301 EN 10088 (AISI 304)
Impeller	Brass P-Cu Zn 40 Pb 2 UNI 5705 (PPO-GF20 (Noryl) for NGX 2/80,3/100,4/110)
Wear ring impeller-diffuser	Cr-Ni steel 1.4301 EN 10088 (AISI 304)
Diffuser	PPO-GF20 (Noryl)
Ejector	PPO-GF20 (Noryl)
Shaft	Chrome steel 1.4104 EN 10088 (AISI 430) Cr-Ni steel 1.4305 EN 10088 (AISI 303) for NGX 6
Mechanical seal	Carbon - Ceramic - NBR

### Characteristic curves $n \approx 2800$ rpm



### Performance $n \approx 2800$ rpm

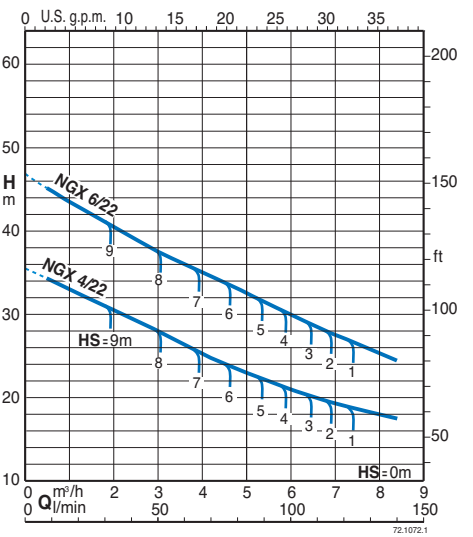
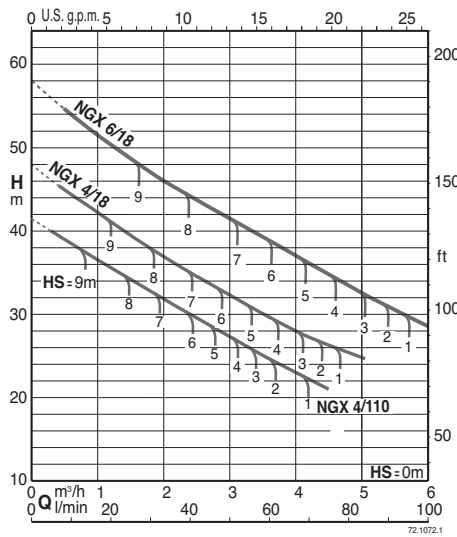
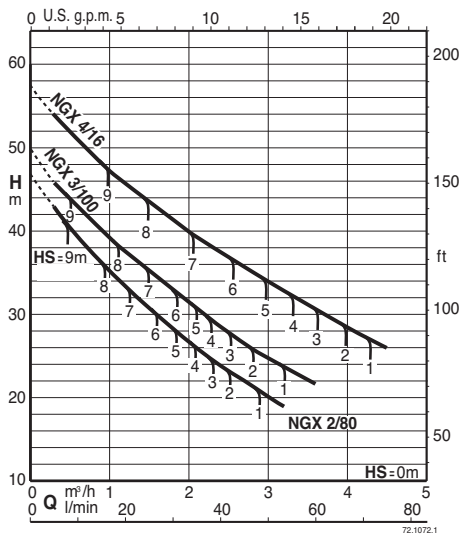
3~	230V 400V		1~	230V		P1		P2		Q											
	A	A		A	A	kW	kW	HP	m <sup>3</sup> /h	l/min	0	0,3	1	2	2,4	3	3,2	3,6	4	4,5	
NGX 2/80	2,8	1,6	NGXM 2/80	3,8	0,8	0,55	0,75	H m	46,8	43	35,2	26,7	23,9	20,2	19,1						
NGX 3/100	3	1,7	NGXM 3/100	4,5	0,95	0,65	0,9		50	45,9	39,4	31,3	28,5	24,8	23,7	21,7					
NGX 4/110	3,7	2,2	NGXM 4/110	5,4	1	0,75	1		41,6	40	36,6	31,9	30	27,3	26,4	24,6	23	21,1			

3~	230V 400V		1~	230V		P1		P2		Q																	
	A	A		A	A	kW	kW	HP	m <sup>3</sup> /h	l/min	0	0,3	0,5	1	2	2,4	3	4	4,5	5	5,5	6	6,5	7	8	8,4	
NGX 4/16	4,5	2,6	NGXM 4/16	7	1,6	1,1	1,5	H m	57,5	54	52	47,3	40	37,5	34	28,5	26										
NGX 4/18	4,5	2,6	NGXM 4/18	7	1,6	1,1	1,5		48	46	44	42,5	37	35	32,5	28,5	27	25									
NGX 4/22	4,5	2,6	NGXM 4/22	7	1,6	1,1	1,5		35,5	34,8	34	33	30,5	29,5	28	25,3	24	23	22	21	20,3	19,5	18	17,5			
NGX 6/18/A	7,5	4,3	NGXM 6/18	9,2	2	1,5	2		58		54,7	51,5	46	44	41,3	37	34,7	32,5	30,5	28,5							
NGX 6/22/A	7,5	4,3	NGXM 6/22	9,2	2	1,5	2		46,5		45	43,5	40,5	39,3	37,5	35	33,5	32,5	31,2	30	28,5	27,5	25,5	24,5			

P1 Max. power input. P2 Rated motor power output.

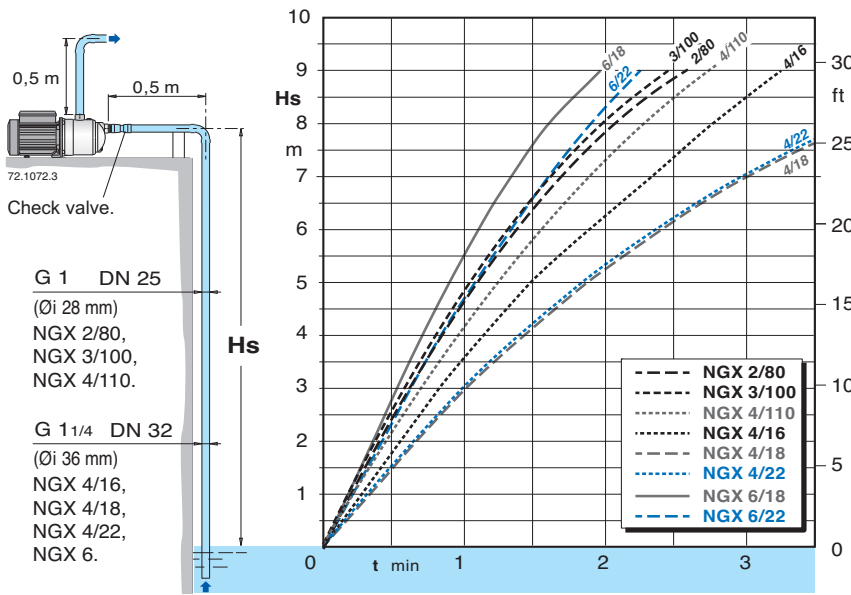
Tolerances according to UNI EN ISO 9906:2012

### Characteristic curves for different suction lifts Hs



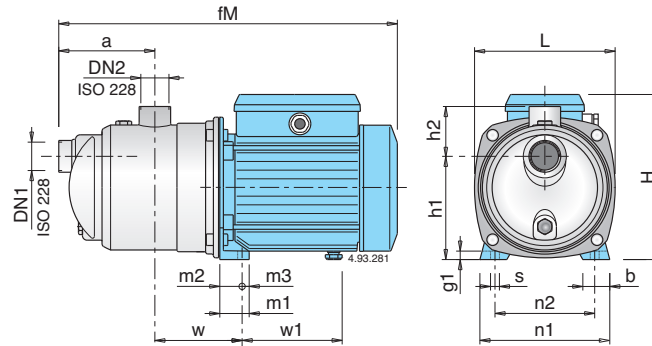
### Self-priming capability

50 Hz ( $n \approx 2800$  1/min), H<sub>2</sub>O, T = 20°C, Pa = 1000 hPa (mbar)



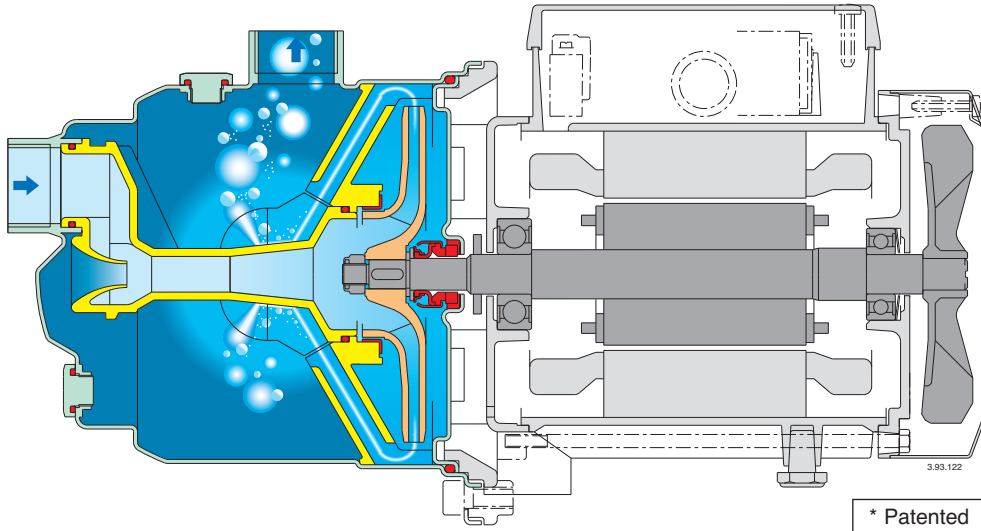
H<sub>s</sub> (m) Suction lift.  
t (min) Self-priming time.

### Dimensions and weights



TYPE	DN1 ISO 228	DN2 ISO 228	Dimensions mm															Net weight kg		
			fM	a	w	h1	h2	H	L	m1	m2	m3	n1	n2	b	s	g1	w1	NGX	NGXM
<b>NGX 2/80</b>			362					176										102	6,9	7,1
<b>NGX 3/100</b>	G 1	G 1	391	115	95	116	61	192	161	33	25	8	146	112	30	9	10	112	8,3	9,2
<b>NGX 4/110</b>			391					192										112	10,2	10,2
<b>NGX 4/16</b>	G 1 1/4	G 1	462	140	113	152	68	225	213,5	37,5	28	9,5	185	155	33	9,5	11	147	14,5	14,8
<b>NGX 4/18</b>																				
<b>NGX 4/22</b>																				
<b>NGX 6/18/A</b>	G 1 1/4	G 1	488,5	140	113	152	68	240	213,5	37,5	28	9,5	185	155	33	9,5	11	157,5	17,8	18,2
<b>NGX 6/22/A</b>																				

### Features



#### **A different pump with new features**

An exclusive diffuser design with flow control device\* provides for compact construction, fast self-priming capability and low noise.

#### **Reliable**

With new design features the NGX is more robust and forgiving when temporary abnormal operating conditions may exist.

#### **Compact**

The NGX is smaller than conventional pumps of a similar type, allowing for installation in restricted spaces and providing for easier retrofit applications.

#### **Safe**

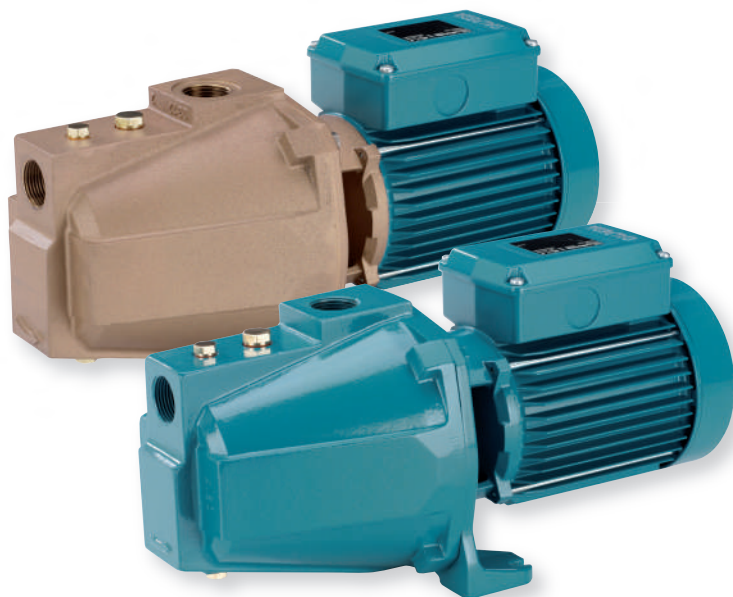
Fast air evacuation reduces the risk of air-pockets developing at the mechanical seal preventing the danger of seal failure due to a lack of flushing and cooling.

#### **Better self-priming**

The NGX are capable of lifting water from depths of 9 m in less than 4 minutes, offers new possibilities on suction lift applications and provides better trouble free service on normal shallow-well suction lift duties, also with a long suction pipe above the water level.

#### **Low noise**

The new diffuser and flow control device\* guide the fluid from the impeller into the central part of the pump casing, reducing turbulence and velocity, with effective use of the surrounding liquid in dampening the noise of flow.



### Construction

Close-coupled self-priming shallow well jet pumps with built-in ejector.

NG: version with pump casing and lantern bracket in cast iron.

B-NG: version with pump casing and lantern bracket in bronze (the pumps are supplied fully painted).

### Applications

For drawing water out of a well.

As pressure boosting pump for central water systems with low pressure (follow local specifications if increasing network pressure).

For clean liquids or slightly dirty surface water.

For garden use.

For washing with a jet of water.

### Operating conditions

Liquid temperature up to 40 °C.

Ambient temperature up to 40 °C.

Maximum permissible working pressure up to 10 bar.

Continuous duty.

### Motor

2-pole induction motor, 50 Hz ( $n \approx 2900$  rpm).

NG: three-phase 230/400 V  $\pm 10\%$ .

NGM: single-phase 230 V  $\pm 10\%$ , with thermal protector. Capacitor inside the terminal box.

Insulation class F.

Protection IP 54.

**Classification scheme IE3 for three-phase motors from 0,75 kW.**

Constructed in accordance with: EN 60034-1; EN 60034-30-1. EN 60335-1, EN 60335-2-41.

### Special features on request

- Other voltages. - Frequency 60 Hz (as per 60 Hz data sheet).

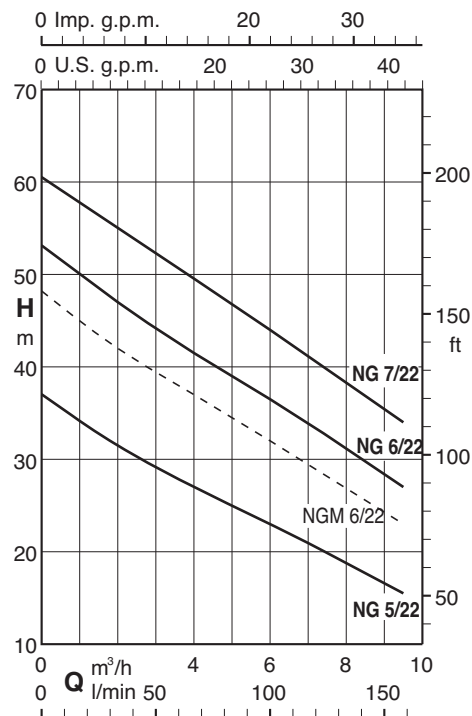
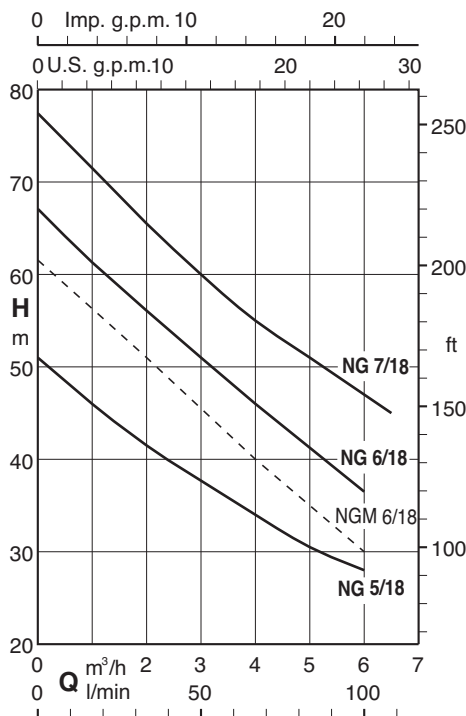
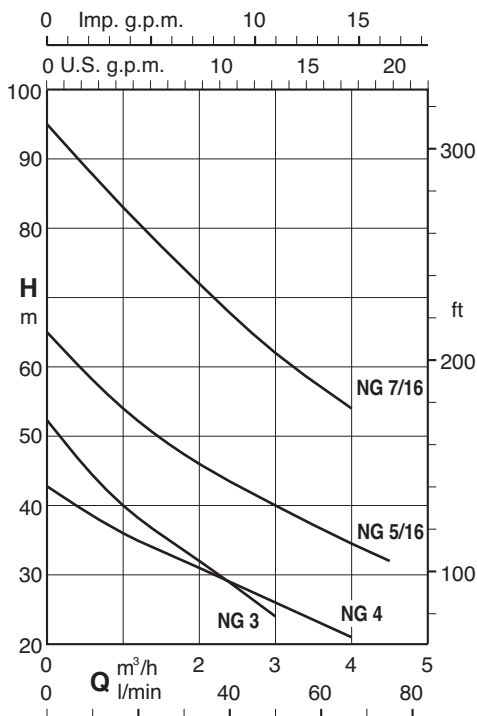
- Protection IP 55.

- Special mechanical seal

### Materials

Components	NG	B-NG
Pump casing Cover with lantern bracket Diffuser plate	Cast iron GJL 200 EN 1561	Bronze G-Cu Sn 10 EN 1982
Impeller	Brass P- Cu Zn 40 Pb 2 UNI 5705	
Shaft	Cr steel 1.4104 EN 10088 (AISI 430) for NG 3-4 Cr-Ni steel 1.4305 EN 10088 (AISI 303) for NG 5-6-7	Cr-Ni-Mo steel 1.4401 EN 10088 AISI 316
Diffuser	PPO-GF20 (Noryl)	
Nozzle	PPO-GF20 (Noryl)	
Mechanical seal	Carbon - Ceramic - NBR	

### Characteristic curves for suction lift $H_s = 1$ m $n \approx 2900$ rpm



**Performance** for suction lift Hs = 1 m n ≈ 2900 rpm

3 ~	230V 400V		1 ~	230V		P <sub>1</sub>		P <sub>2</sub>		Q m <sup>3</sup> /h l/min	H m															
	A	A		A	kW	kW	HP	0,25	0,5		1	1,5	2	2,5	3	3,5	4	4,5	5	5,5	6	6,5	7	8	9	9,5
B- NG 3/A	3	1,7	B- NGM 3/A	4,5	0,9	0,55	0,75	49	45,5	40	36	32	28	24												
B- NG 4/B	3,7	2,2	B- NGM 4/A	5,7	1	0,75	1	41	39	36	33	31	29	26	24	21										
B- NG 5/16/A	4,7	2,7	B- NGM 5/16E	7,4	1,64	1,1	1,5		59	54	50	46	43	40	37	34,5	32									
B- NG 5/18/A	4,7	2,7	B- NGM 5/18E	7,4	1,68	1,1	1,5		48,5	46	43,5	41,5	39,5	38	35,5	34	32	30,5	29	28						
B- NG 5/22/A	4,7	2,7	B- NGM 5/22E	7,4	1,55	1,1	1,5		35,5	34,5	33	31,5	30,5	29,5	28	27	26	25	23,5	23	21,5	20,5	18,5	16,5	15,5	
B- NG 6/18/A	7,5	4,3				1,5	2		64,5	62	59	56	54	51	48,5	46	43,5	41,5	39	36,5						
			B- NGM 6/18E	9,2	2	1,5	2		59	57	54	51	48	45	43	40	37,5	35	33	30						
B- NG 6/22/A	7,5	4,3				1,5	2		51,5	50	48,5	47	46	44,5	43	41,5	40	39	37,5	36,5	35	33,5	31	28,5	27	
			B- NGM 6/22E	9,2	2	1,5	2		47	45	43,5	42	41	40	38	37	36	35	33	32	31	30	27	24	23	
B- NG 7/16/B	9,15	5,3				2,2	3		89	83	77	72	67	62	58	54										
B- NG 7/18/B	9,15	5,3				2,2	3		74,5	71,5	68,5	65,5	63	60	57,5	55	53	51	49	47	45					
B- NG 7/22/B	9,15	5,3				2,2	3		59	57,5	56,5	55	54	52,5	51	50	48,5	47	45,5	44	42,5	41,5	38	35	34	

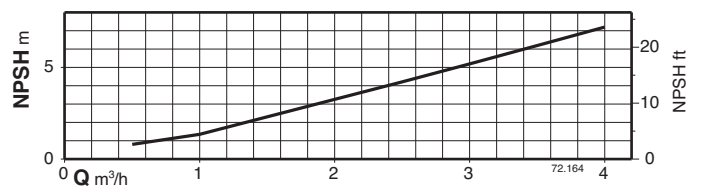
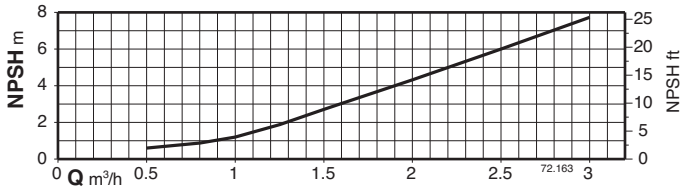
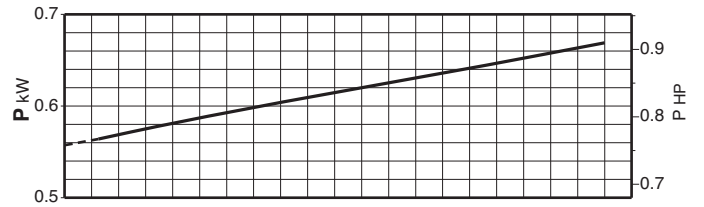
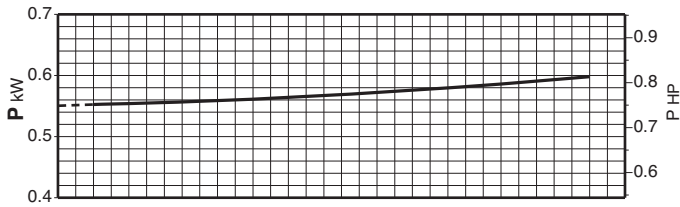
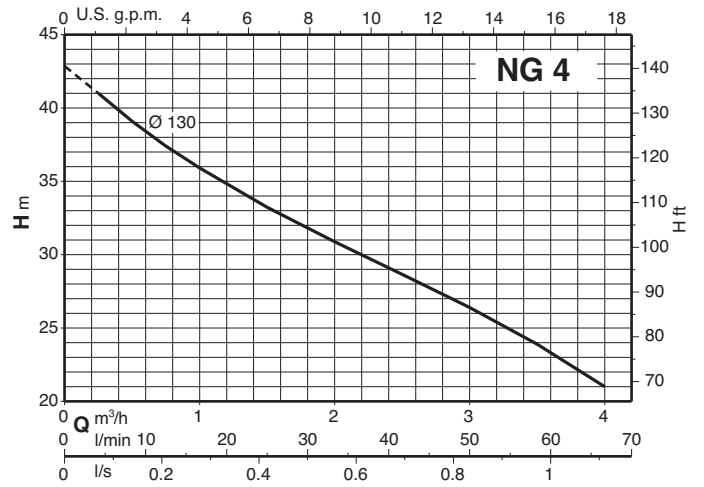
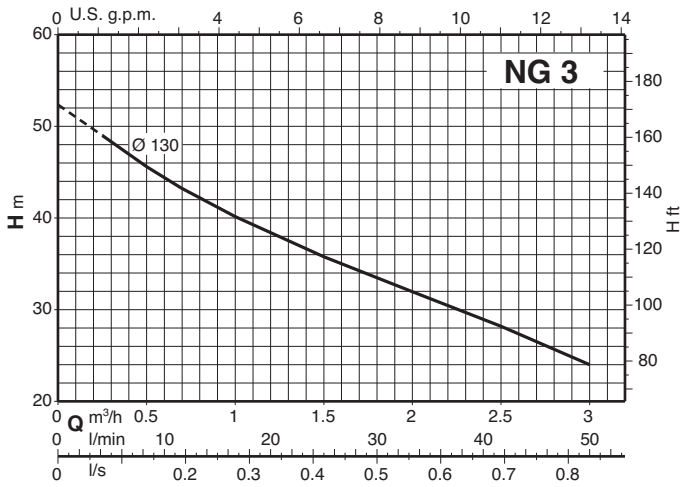
P1 Max. power input.

P2 Rated motor power output.

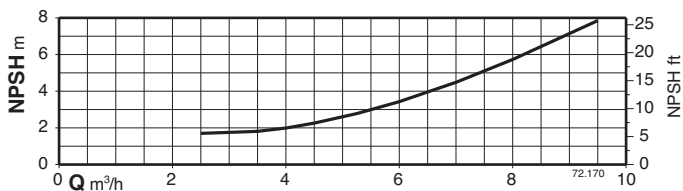
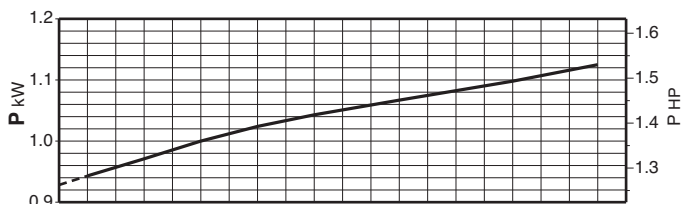
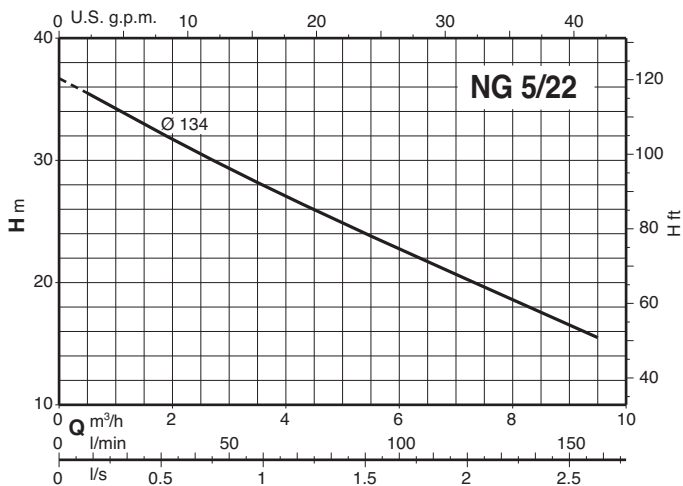
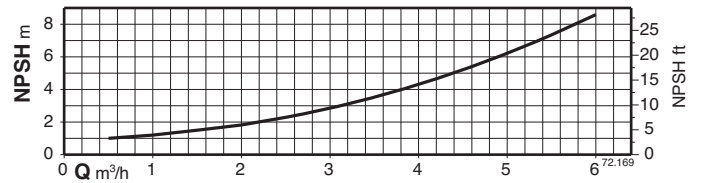
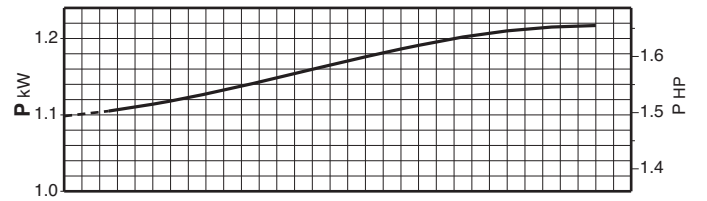
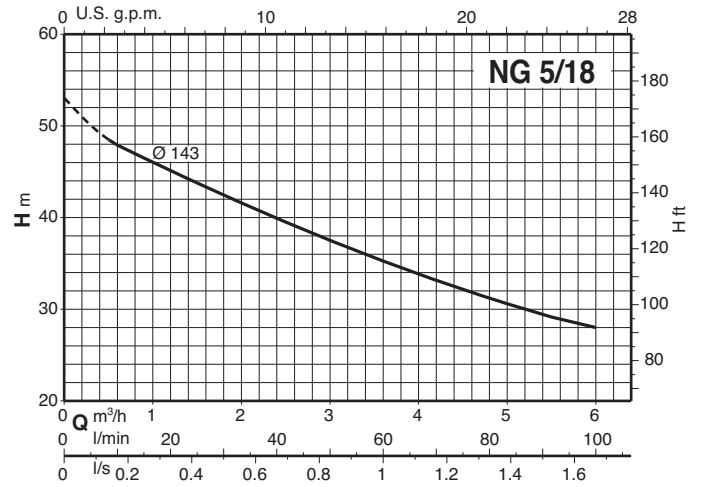
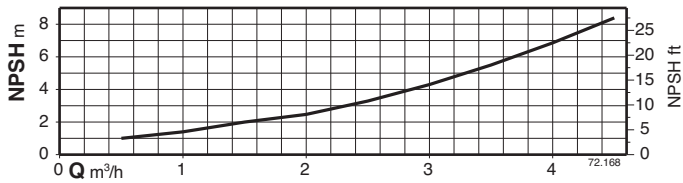
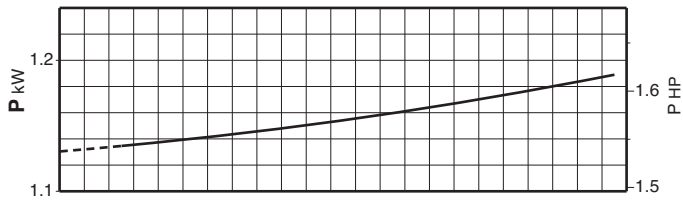
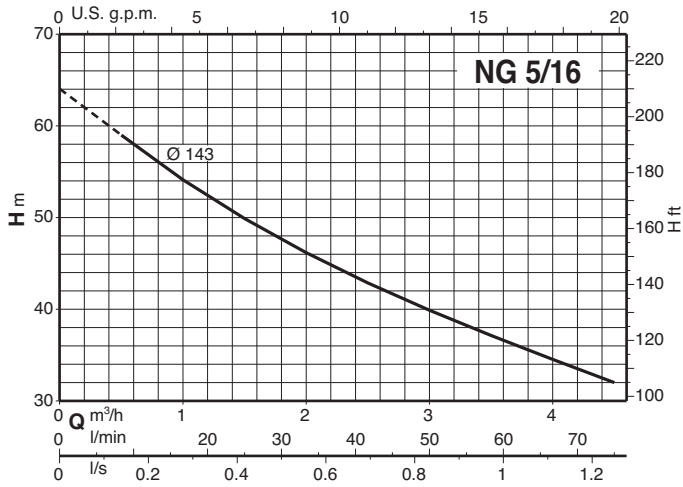
B-NG, B-NGM = Bronze construction.

Tolerances according to UNI EN ISO 9906:2012

### Characteristic curves $n \approx 2900$ rpm

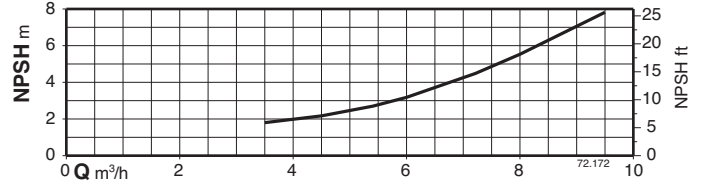
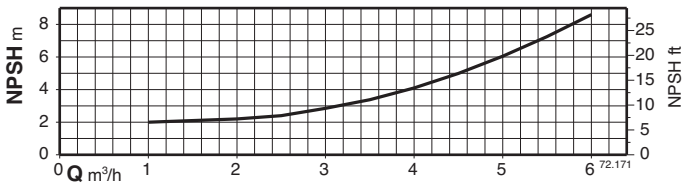
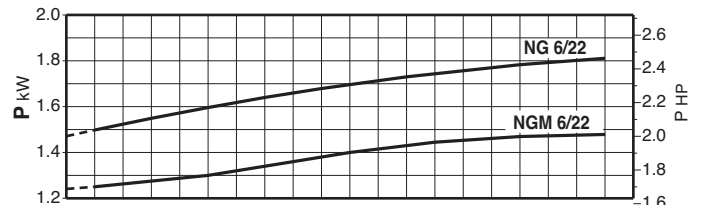
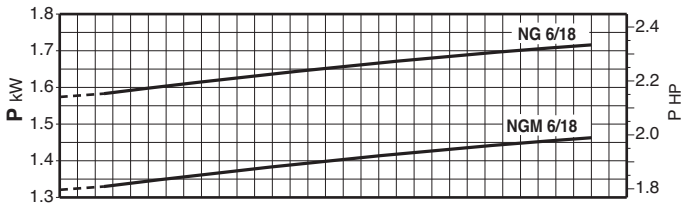
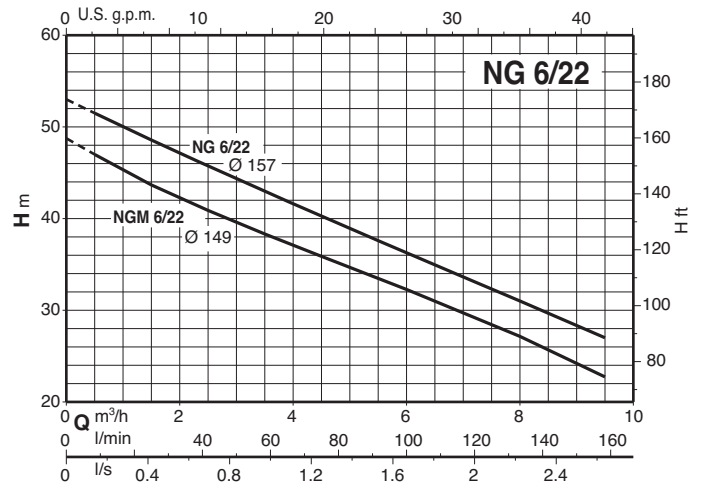
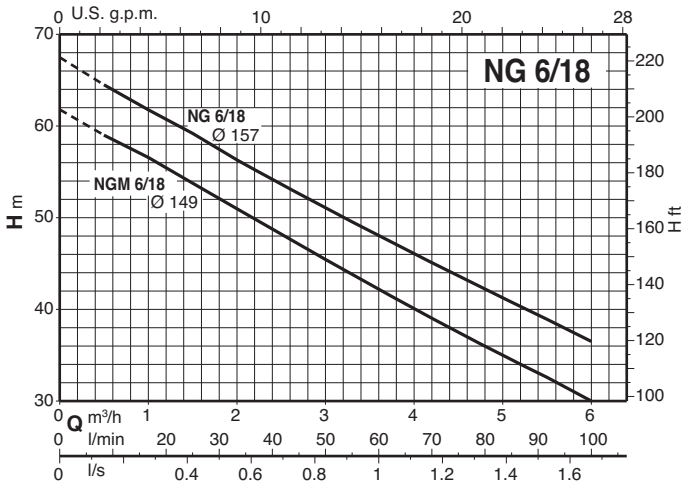


### Characteristic curves $n \approx 2900$ rpm

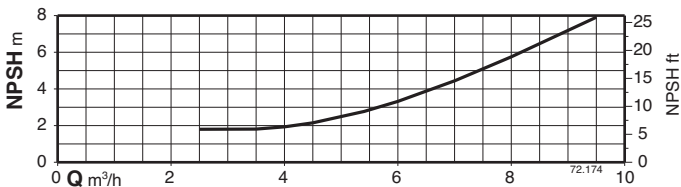
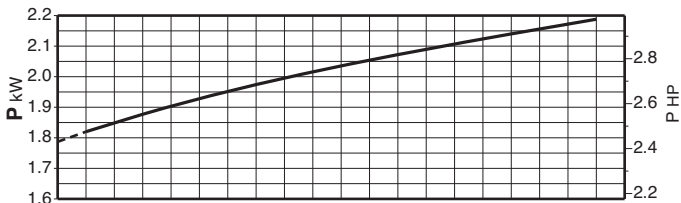
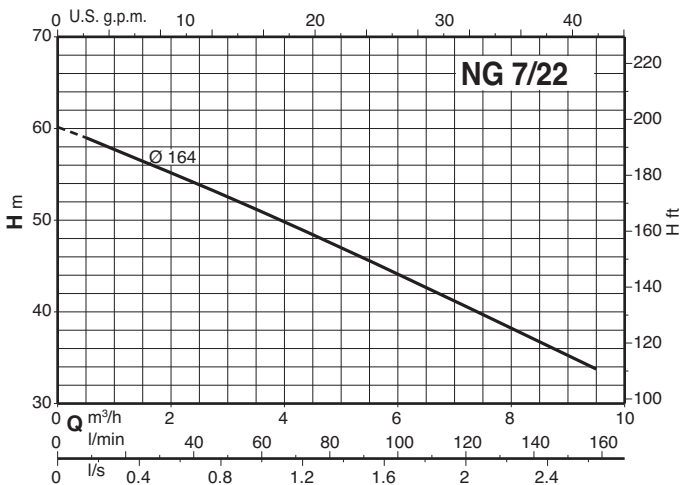
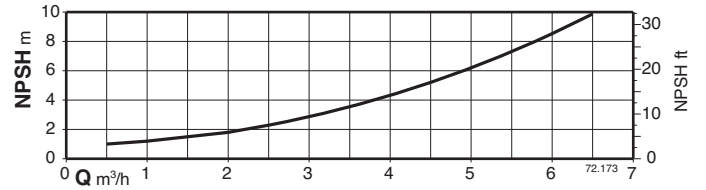
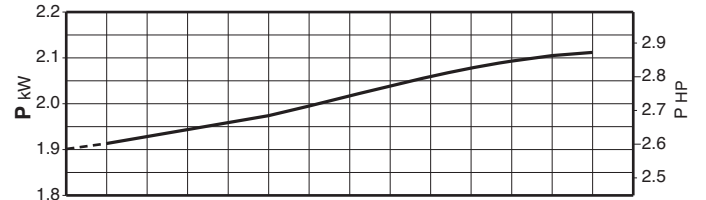
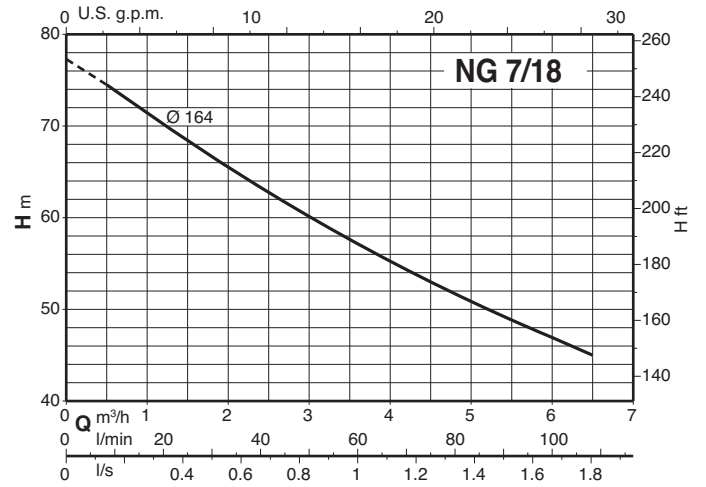
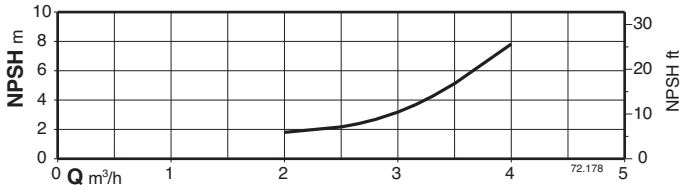
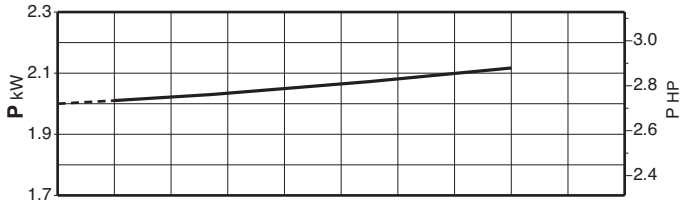
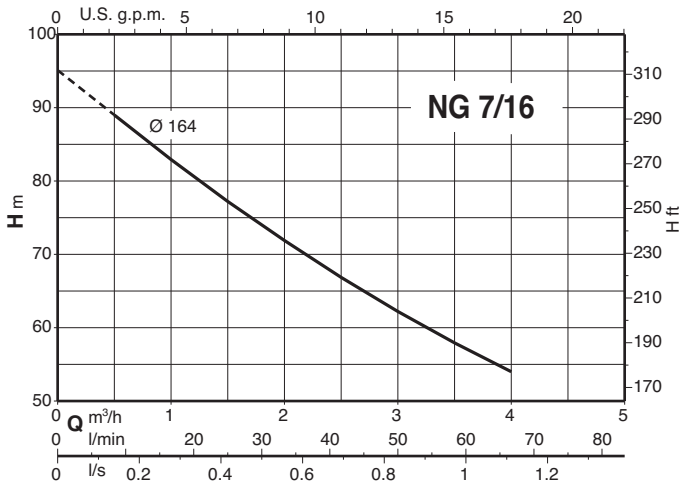




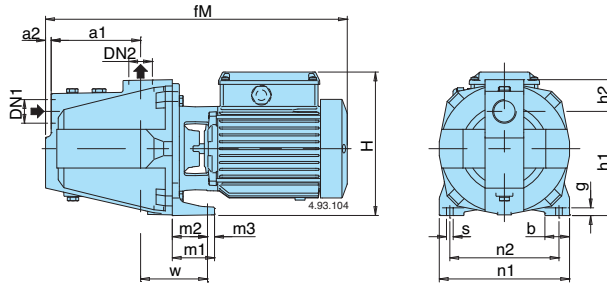
### Characteristic curves $n \approx 2900$ rpm



### Characteristic curves $n \approx 2900$ rpm



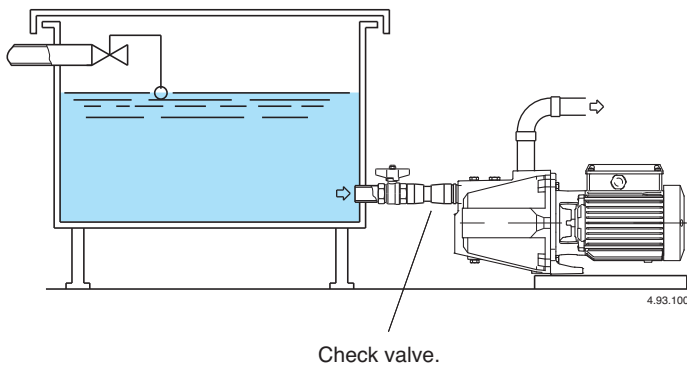
### Dimensions and weights



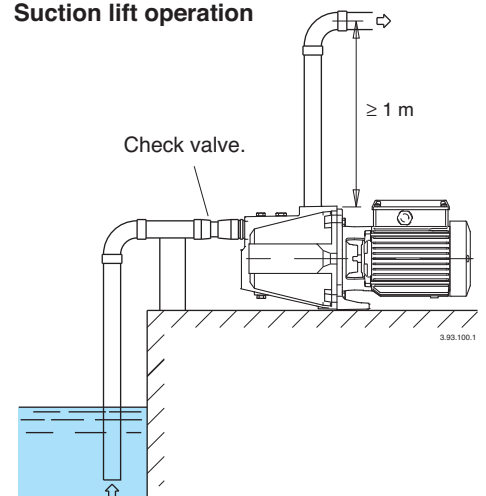
TYPE	DN <sub>1</sub>	DN <sub>2</sub>	mm															kg		
			ISO 228		a1	a2	fM	h1	h2	H	m1	m2	m3	n1	n2	b	s	w	g	NG
NG 3/A NG 4/B	B-NG 3/A B-NG 4/B	G 1 G 1	G 1 G 1	127	8	430	150	43	207	60	52	8	185	155	35	9,5	100	11	18,4 20,0	20,8 22,3
NG 5/A NG 6/A NG 7/B	B-NG 5E B-NG 6E B-NG 7/A	G 1 1/2 G 1	G 1 G 1	160	10	560 560 600	165	57	240	60	50	10	215	175	40	11,5	115	11	29,2 30,8 31,3	31,6 32,9 33,4

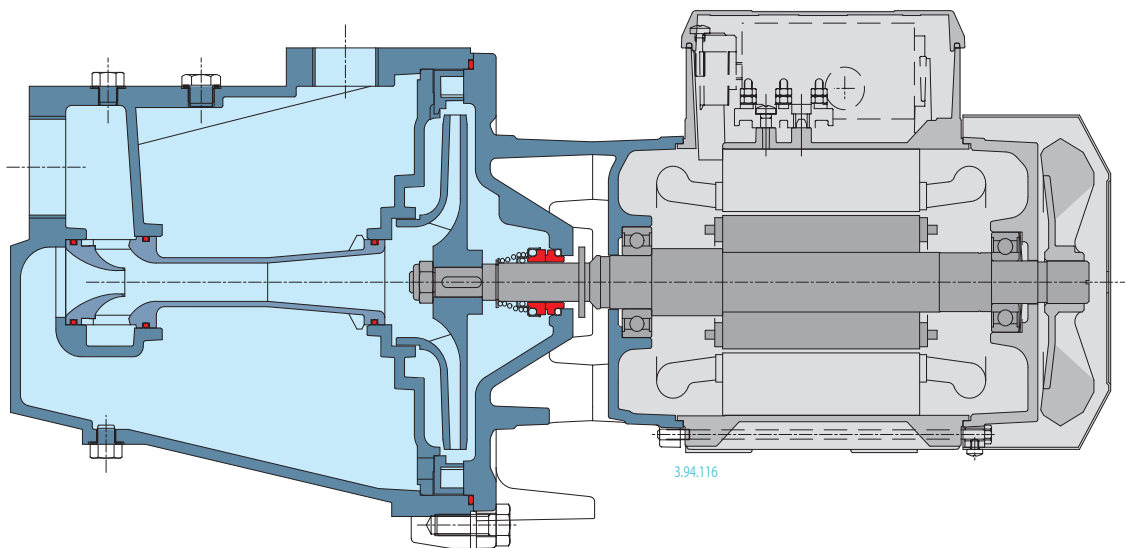
### Installation examples

#### Positive suction head operation



#### Suction lift operation



**Features****Robust**

The mechanical structure of the hydraulic parts in contact with the pumped liquid are dimensioned to guarantee the maximum resistance to mechanical stress.

**Self priming**

The hydraulic design allows the pump to self prime even with the high suction lifts or with long suction pipe runs above the water level.

**Flexible**

The option to choose between cast iron and bronze materials for the hydraulic parts in contact with the pumped liquid allows NG series pumps to be selected for use with different types of liquids.



### Construction

Horizontal multi-stage, self-priming, close coupled pump.  
 Single-piece barrel casing in chrome-nickel stainless steel, with front suction port above pumps axis and radial delivery at top.  
 Stages in Noryl.

### Applications

For water supply.  
 For domestic use, for garden use and irrigation.

### Operating conditions

Liquid temperature: 0 °C to +35 °C.  
 Ambient temperature up to +40 °C.  
 Suction lift up to 8 m.  
 Maximum permissible pressure in the pump casing: 8 bar.  
 Continuous duty.

### Motor

2-pole induction motor, 50 Hz ( $n \approx 2800$  rpm).  
**MXA:** three-phase 230/400 V  $\pm 10\%$ .  
**MXAM:** single-phase 230 V  $\pm 10\%$ , with thermal protector.  
 Capacitor inside the terminal box.

Insulation class F.  
 Protection IP 54.

**Classification scheme IE3 for three-phase motors from 0,75 kW.**  
 Constructed in accordance with: EN 60034-1; EN 60034-30-1.  
 EN 60335-1, EN 60335-2-41.

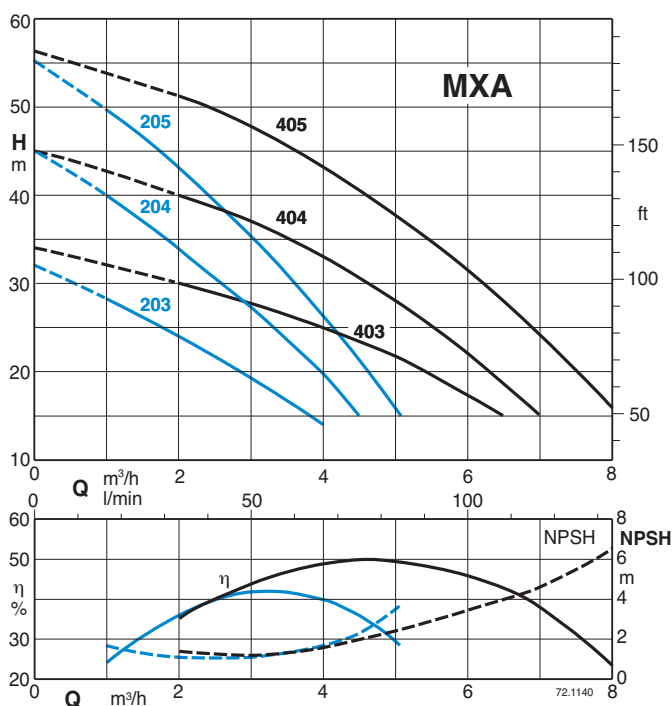
### Materials

Component	Material
Pump casing	Cr-Ni steel 1.4301 EN 10088 (AISI 304)
Casing cover	Cr-Ni steel 1.4301 EN 10088 (AISI 304)
Pump Shaft	Chrome steel 1.4104 EN 10088 (AISI 430)
Plug	Cr-Ni steel 1.4305 EN 10088 (AISI 303)
Suction casing	PPO-GF20 (Noryl)
Stage casing	PPO-GF20 (Noryl)
Impeller	PPO-GF20 (Noryl)
Mechanical seal	Carbon - Ceramic - NBR

### Special features on request

- Other voltages.
- Frequency 60 Hz (as per 60 Hz data sheet).
- Protection IP 55.

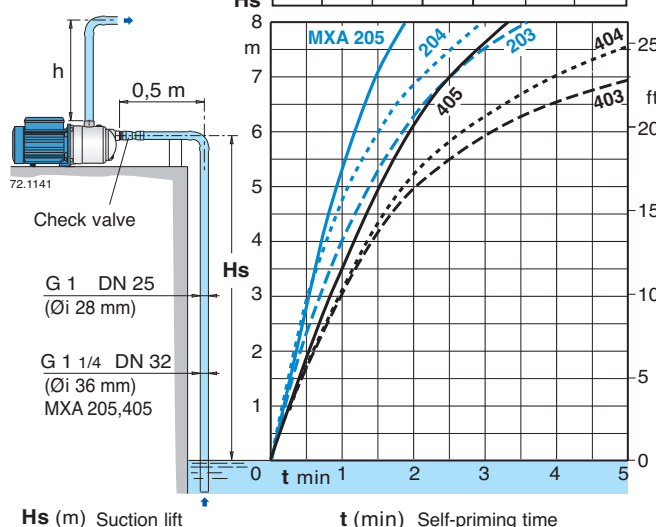
### Characteristic curves $n \approx 2800$ rpm



### Self-priming capability

H<sub>2</sub>O, T = 20 °C,  
 P<sub>a</sub> = 1000 hPa (mbar)  
 50 Hz ( $n \approx 2800$  1/min)

H <sub>s</sub> (m) ≤	h (mm)					
	203	204	205	403	404	405
2	100	100	500	100	100	500
4	200	200	500	450	450	500
6	450	450	500	600	600	600
8	600	600	600	600	600	600



### Performance $n \approx 2800$ rpm

3 ~	230 V 400 V		1 ~	230 V		P <sub>1</sub>		P <sub>2</sub>		Q	m <sup>3</sup> /h									
	A	A		A	kW	kW	HP	l/min	0		1	2	3	4	4,5	5				
<b>MXA 203</b>	2,4	1,4	<b>MXAM 203</b>	3	0,63	0,45	0,6				32	28	24	19	14					
<b>MXA 204/A</b>	2,8	1,6	<b>MXAM 204/A</b>	4,2	0,8	0,55	0,75				45	40	34	27	20	15				
<b>MXA 205/B</b>	3,5	2	<b>MXAM 205/A</b>	5,4	1	0,75	1				55,5	50	43	35,5	26,5	21,5	15,5			

3 ~	230 V 400 V		1 ~	230 V		P <sub>1</sub>		P <sub>2</sub>		Q	m <sup>3</sup> /h									
	A	A		A	kW	kW	HP	l/min	0		2	3	4	5	6	6,5	7	8		
<b>MXA 403/A</b>	2,8	1,6	<b>MXAM 403/A</b>	4,2	0,9	0,55	0,75				34	30	28	25	22	17	15			
<b>MXA 404/B</b>	3,5	2	<b>MXAM 404/A</b>	5,4	1,2	0,75	1				45	40	37	33	28	22	19	15		
<b>MXA 405/A</b>	4,5	2,6	<b>MXAM 405/A</b>	7	1,5	1,1	1,5				56	51	47,5	42,5	36,5	30	26,5	23	14	

P<sub>1</sub> Max. power input.

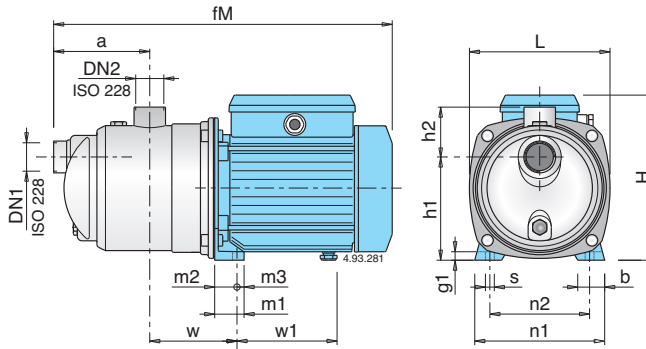
P<sub>2</sub> Rated motor power output.

Test results with clean cold water, without gas content.  
+ 0,5 m security margin on NPSH-value is necessary.

Tolerances according to UNI EN ISO 9906:2012

For capacities over 4 m<sup>3</sup>/h use a suction pipe G 1 1/4 (DN 32).

### Dimensions and weights



TYPE	Dimensions																	Net weight		
	DN1	DN2	mm															kg		
	ISO 228	fM	a	w	h1	h2	H	L	m1	m2	m3	n1	n2	b	s	g1	w1	MXA	MXAM	
<b>MXA 203 - MXAM 203</b>	G 1	G 1	362	115	95	116	61	176	161	33	25	8	146	112	30	9	10	102	6,6	6,7
<b>MXA 204/A - MXAM 204/A</b>	G 1	G 1	391	115	95	116	61	192	161	33	25	8	146	112	30	9	10	112	8,7	9,6
<b>MXA 205/B - MXAM 205/A</b>	G 1 1/4	G 1	462	140	113	152	68	225	213,5	37,5	28	9,5	185	155	33	9,5	11	147	13,3	13,8
<b>MXA 403/A - MXAM 403/A</b>	G 1	G 1	391	115	95	116	61	192	161	33	25	8	146	112	30	9	10	112	8,6	9,5
<b>MXA 404/B - MXAM 404/A</b>	G 1	G 1	391	115	95	116	61	192	161	33	25	8	146	112	30	9	10	112	9,5	10,5
<b>MXA 405/A - MXAM 405/A</b>	G 1 1/4	G 1	462	140	113	152	68	225	213,5	37,5	28	9,5	185	155	33	9,5	11	147	14,2	14,5

### Features

#### Extra safety

against running dry, with the suction port above pump axis and with the self-priming construction.

#### Robust

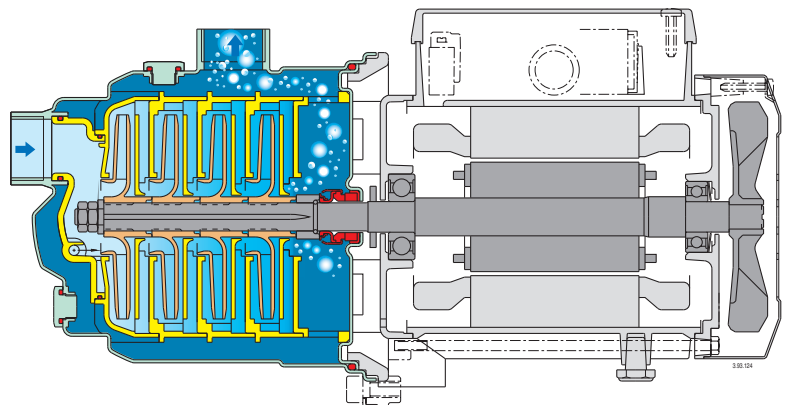
Single-piece barrel casing.

#### Compact

Single-piece lantern bracket and base.

#### Low noise

with the water-filled shroud around the stages.





### Construction

Close-coupled gear pumps (rotary pumps).  
Pump casing with suction and delivery connections with the same diameter and on the same axis (in-line execution).

### Applications

For fuel oil and liquids with lubricating properties.

### Operating conditions

Kinematic viscosity from 30 mm<sup>2</sup>/s (4°E) to 120 mm<sup>2</sup>/s (15°E).  
Liquid temperature up to 90 °C.  
Ambient temperature up to 40 °C.  
Total suction lift up to 4 m.  
Continuous duty.

### Motor

4-pole induction motor, 50 Hz (n ≈ 1450 rpm).

**I, IR, IRR:** three-phase 230/400 V ± 10%.

**IM:** single-phase 230 V ± 10%.

Insulation class F.

Protection IP 54.

**Classification scheme IE3 for three-phase motors from 0,75 kW.**

Constructed in accordance with: EN 60034-1; EN 60034-30-1.  
EN 60335-1, EN 60335-2-41.

### Special features on request

- Other voltages.
- Frequency 60 Hz (as per 60 Hz data sheet).
- Protection IP 55.
- Higher ambient temperatures.

### Materials

Components	Materials
Pump casing	Cast iron GJL 200 EN 1561
Gears	Steel 18 Ni Cr Mo 5 UNI 8550
Shafts	Steel 18 Ni Cr Mo 5 UNI 8550
Radial shaft seal ring	FPM

### Performance n ≈ 1450 rpm

	3 ~ 230 V 400 V		1 ~ 230 V	P <sub>1</sub>	P <sub>2</sub>		n	Q	Δp	
	A	A			A	kW			HP	bar
<b>I</b>	<b>25/4/A</b>	1,4	0,8	<b>IM25/4/A</b>	2,1	0,4	0,25	0,34	1450	2
<b>IR</b>	<b>25/4/A</b>	2,1	1,2				0,37	0,5	1450	2,5
<b>IRR</b>	<b>25/4/B</b>	3,3	1,9				0,75	1	1450	5

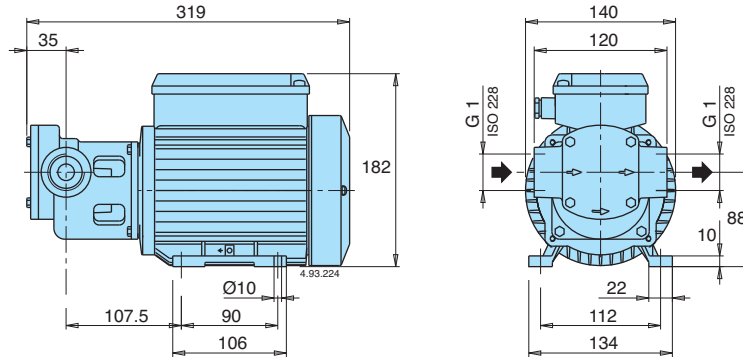
P<sub>1</sub> Max. power input.

P<sub>2</sub> Rated motor power output.

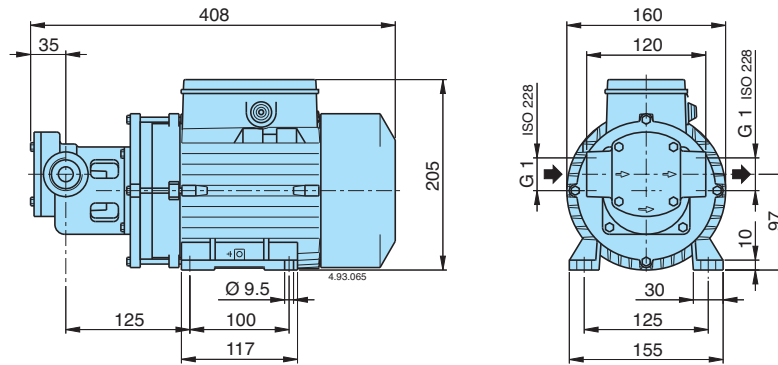
Δp Differential pressure.

### Dimensions and weights

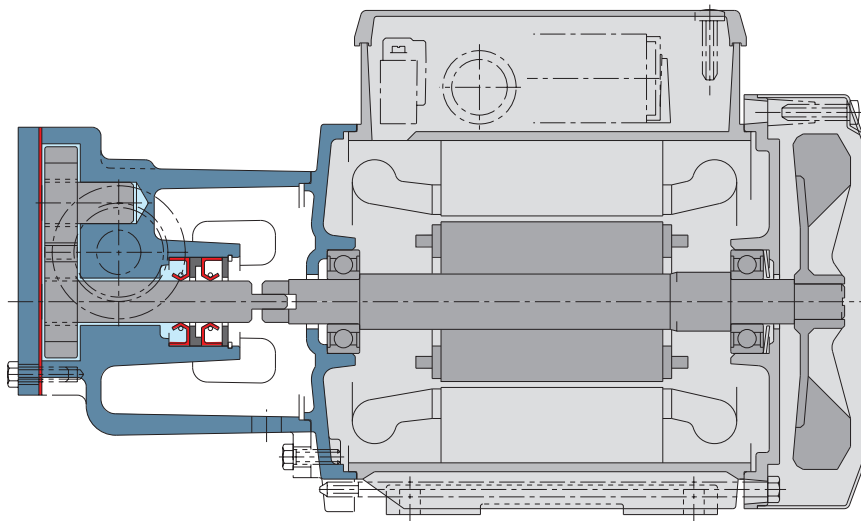
- I 25/4/A:** 10 kg
- IM 25/4/A:** 11,7 kg
- IR 25/4/A:** 11,6 kg



- IRR 25/4/B:** 17,6 kg



### Features



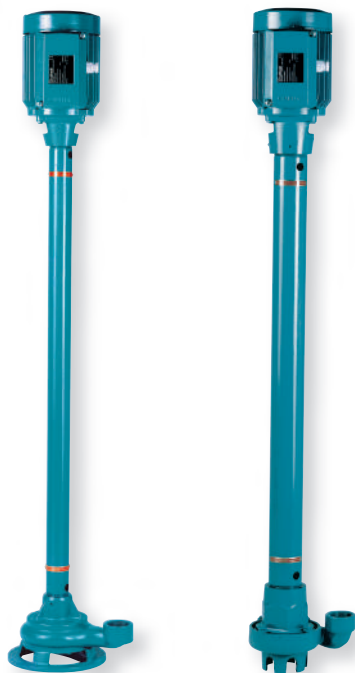
#### Innovative structure

The flanged pump casing and two piece shaft allows the hydraulics to be disassembled easier, facilitating quick maintenance operations.



# VAL, SC

## Vertical Submerged Pumps



### Construction

Vertical column sump pumps, with motor in dry installation and with pump body submerged in the liquid handled (without suction line or foot valve).

- Impeller** - VAL: free-flow impeller (vortex or recessed impeller).  
 - SC: open impeller.

- Connection** - VAL 30, SC 30, SC 50: threaded port ISO 228 (BS 2779).  
 - VAL 65: flange with plain face oval threaded counter-flange UNI 2245, PN 2,5.

### Applications

For draining a basin or a sump with domestic or industrial sewage. For slightly dirty waste water, for liquids which are non-aggressive for the pump materials.

### Operating conditions

- Liquid temperature up to 40 °C.
- Ambient temperature up to 40 °C.
- Continuous duty.
- Maximum size of solids: VAL 30 = 25 mm; VAL 65 = 50 mm; SC 30 = 3 mm; SC 50 = 6 mm.

### Motor

- 2-pole induction motor, 50 Hz ( $n \approx 2900$  rpm).
- VAL -SC**: three-phase 230/400 V  $\pm 10\%$ .
- VALM-SCM**: single-phase 230 V  $\pm 10\%$ , with thermal protector.
- Insulation class F.
- Protection IP 54.
- Classification scheme IE3 for three-phase motors from 0,75 kW.**
- Constructed in accordance with: EN 60034-1; EN 60034-30-1. EN 60335-1, EN 60335-2-41.

### Materials

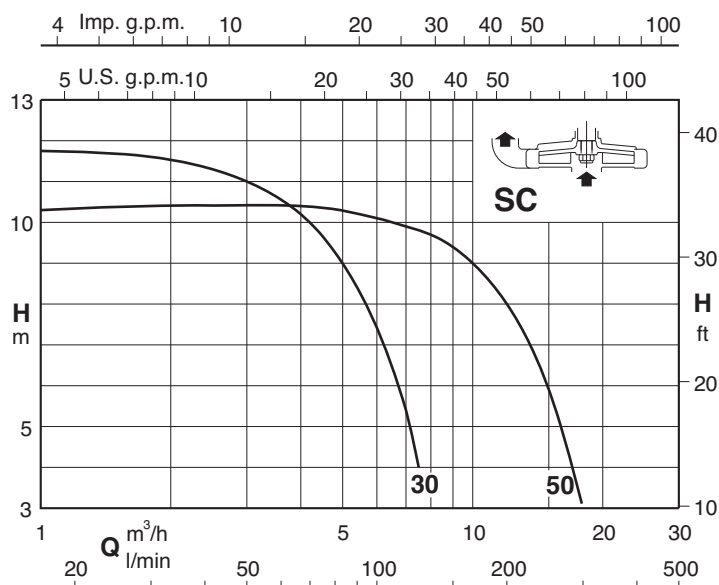
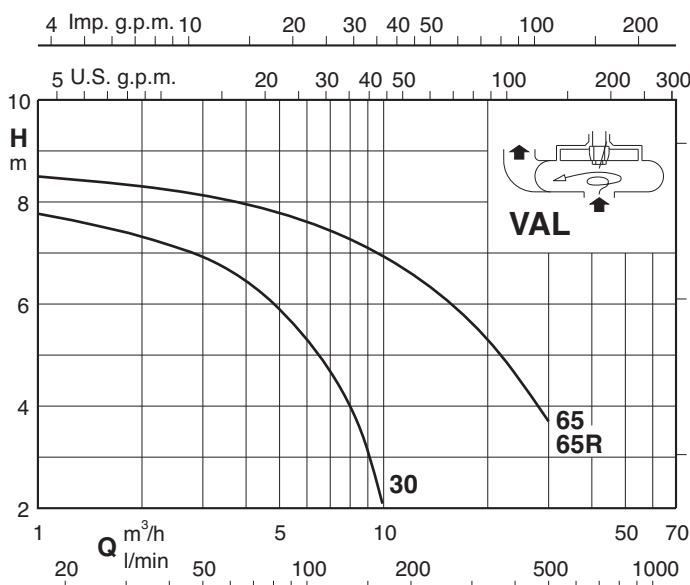
Components	VAL	SC
Pump casing Lower bearing housing*	Cast iron G.JL 200 EN 1561	Cast iron G.JL 200 EN 1561
Impeller	Brass P-Cu Zn 40 Pb 2 UNI 5705 for VAL 30	Brass P-Cu Zn 40 Pb 2 UNI 5705
	Cast iron G.JL 200 EN 1561 for VAL 65	
Shaft	Steel C 40 UNI 7231	
Bearing bush	Tecnopolymer	
Shaft sleeve	Chromate bronze for VAL 65	-

\* Not existing for VAL 30.

### Special features on request

- Other voltages.
- Frequency 60 Hz (as per 60 Hz data sheet).
- Protection IP 55.
- Bronze bearing bush (for liquid up to 100 °C).

### Characteristic curves $n \approx 2900$ rpm



72.869.C

### Performance $n \approx 2900$ rpm

3 ~	230V 400V		1 ~	230V		P <sub>2</sub>		Q m <sup>3</sup> /h l/min	H																			
	A	A		A	kW	kW	HP		3	3,5	4	4,5	5	5,5	6	6,5	7	7,5	8	9	10	12	14	16	18	20	25	30
VAL 30/A	2,3	1,3	VALM 30/A	3,6	0,63	0,45	0,6	50	58,3	66,6	75	83,3	91,6	100	108	116	125	133	150	166	200	233	266	300	333	416	500	
VAL 65/A	7,5	4,3				1,5	2		6,7	6,5	6,2	5,9	5,6	5,3	5	4,7	4,3	4	7,1	6,9	6,6	6,3	6	5,6	5,3	4,5	3,7	
VAL 65-R/B	9,15	5,3				2,2	3												7,1	6,9	6,6	6,3	6	5,6	5,3	4,5	3,7	
SC 30/A	2,3	1,3	SCM 30/A	2,8	0,47	0,37	0,5	11	10,6	10,2	9,6	9	8,3	7,4	6,5	5,4	4											
SC 50/A	2,3	1,3	SCM 50/A	3,6	0,69	0,45	0,6					10,3	10,2	10,1	10	9,9	9,8	9,7	9,4	9	8	6,7	5	3				

P1 Max. power input.

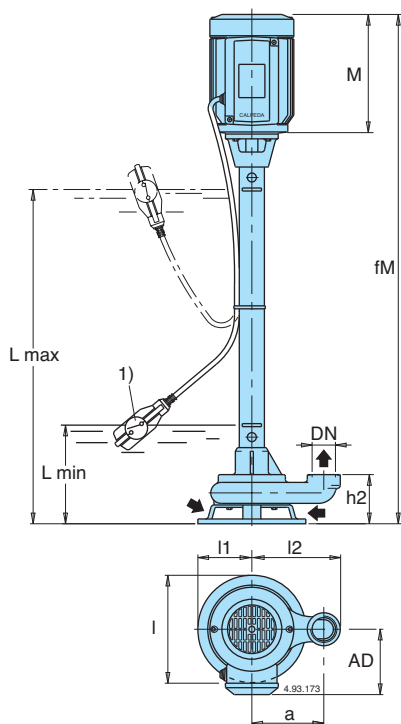
P2 Rated motor power output.

H Total head in m.

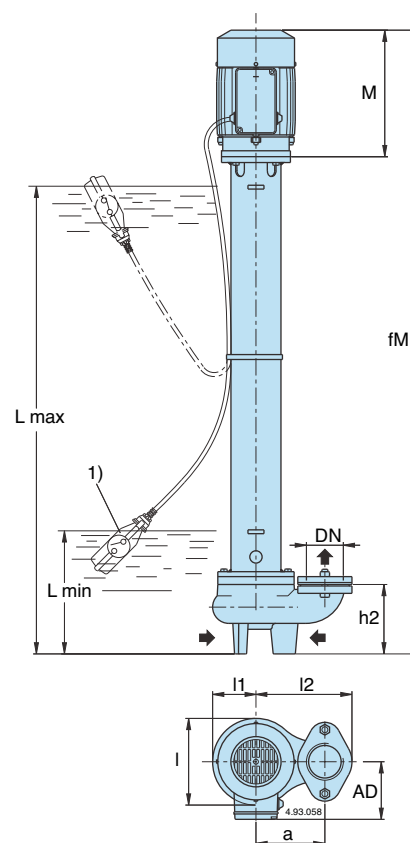
Tolerances according to UNI EN ISO 9906:2012

### Dimensions and weights

VAL 30  
SC 30  
SC 50



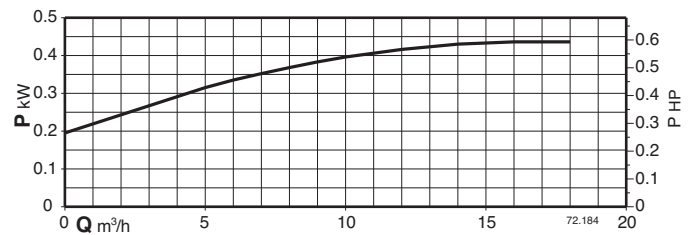
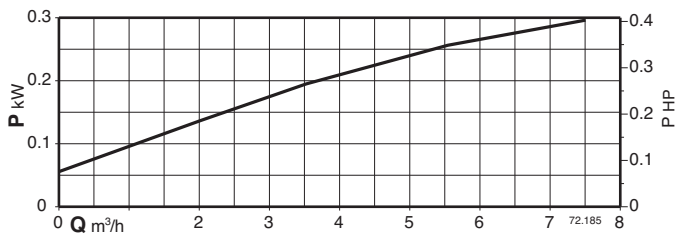
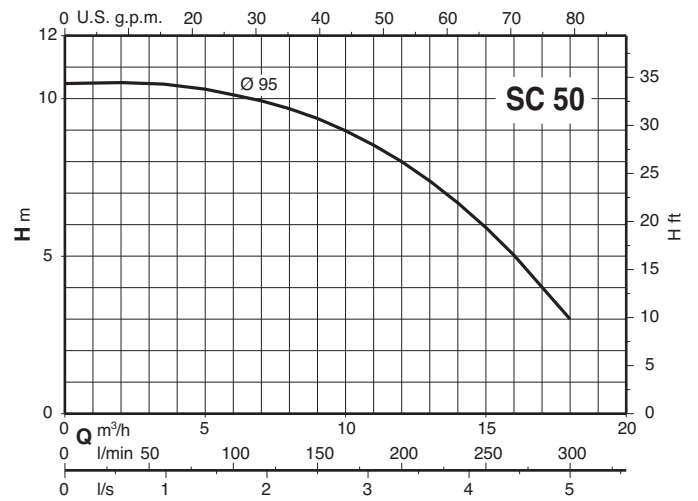
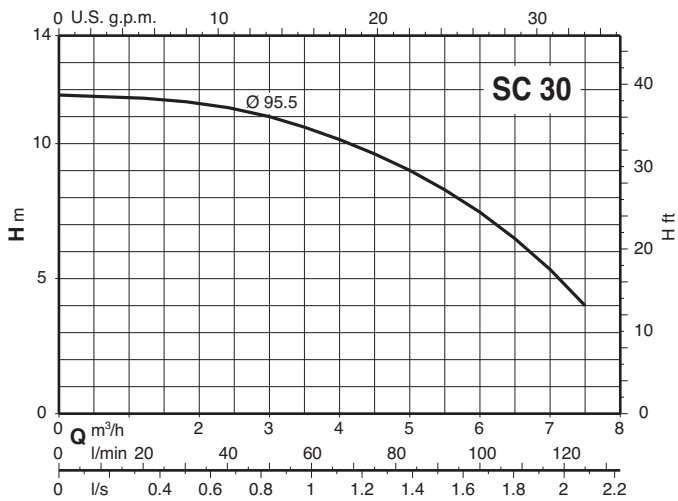
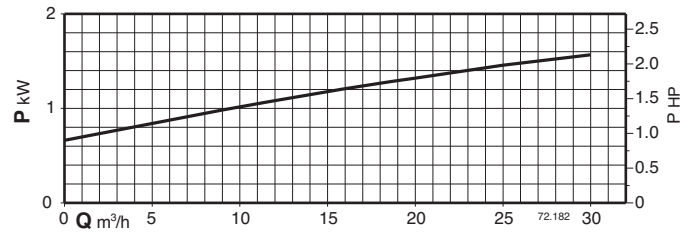
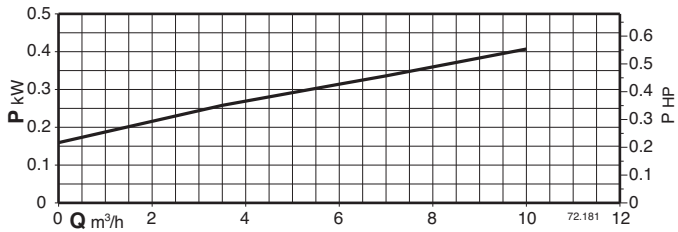
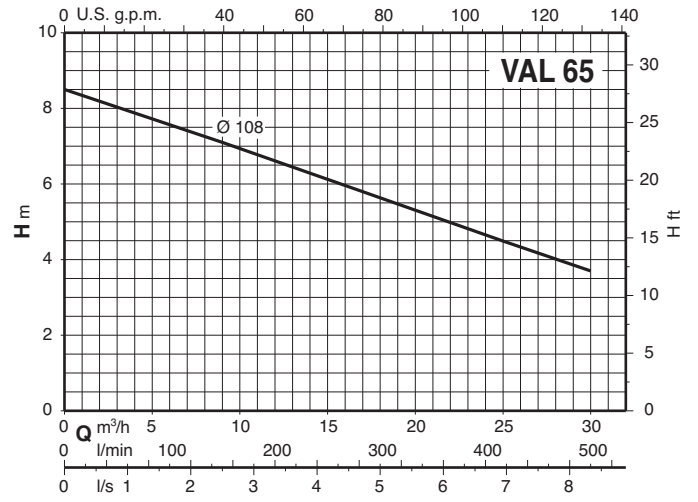
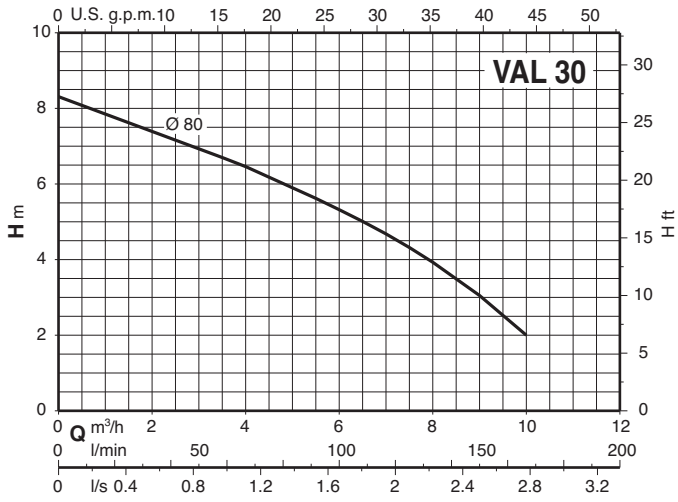
VAL 65  
VAL 65-R

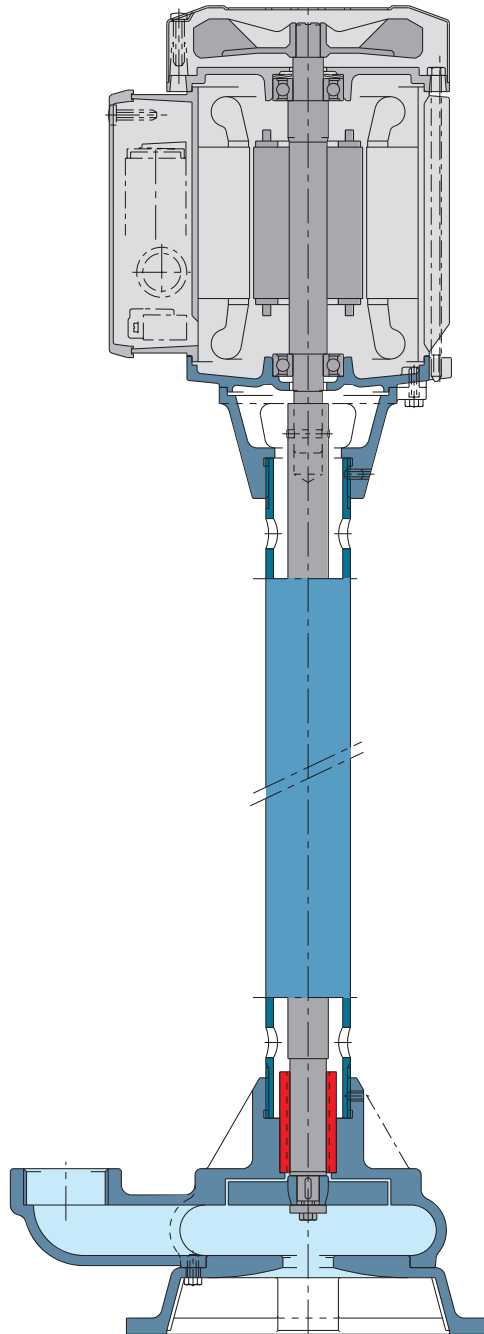


1) Float switch (on demand)

TYPE	DN ISO 228	mm										kg	
		fm	M	h2	AD	a	L min	L max	l	l1	l2		
VAL 30/750/A	G 1 1/4	1025	200	82	111	120	150	750	180	90	148	17,8	
VAL 30/1000/A		1275						1000					19,5
VAL 65/1000/A		1245						950					40
VAL 65/1500/A	G 2 1/2	1745	235	140	135	140	250	1450	175	88	195	48	
VAL 65/2000/A		2245						1950					56
VAL 65/2500/A		2745						2450					64
VAL 65/1000-R/B	G 2 1/2	1285	275	140	135	140	250	950	175	88	195	43	
VAL 65/1500-R/B		1785						1450					51
VAL 65/2000-R/B		2285						1950					59
VAL 65/2500-R/B	2785	2450	67										
SC 30/500/A	G 1 1/4	765	200	105	111	100	200	455	132	65	127	17,4	
SC 30/750/A		1015						705					19,6
SC 30/1000/A		1265						955					21,8
SC 30/1250/A	G 2	1515	200	120	111	120	215	1205	173	86	157	24	
SC 50/500/A		780						470					18,5
SC 50/750/A		1030						720					20,7
SC 50/1000/A	G 2	1280	200	120	111	120	215	970	173	86	157	22,9	
SC 50/1250/A		1530						1220					25,1

### Characteristic curves $n \approx 2900$ rpm



**Features****Range**

The high number of pumps in the range can meet the widest range of services required by the user.

**Construction with no mechanical seal**

The absence of a mechanical seal minimizes the need for maintenance of the pumps.

**Float switch**

The pumps can be fitted with a float switch, eliminating the need for level control systems.

# GM 10

## Submersible Drainage Pump



### Construction

Submersible drainage pump constructed with composite polymers developed especially for this product.

These new rustproof materials are resistant to corrosion, indeformable at maximum temperature differentials in the pump and motor and resistant to internal and external strain.

Shaft of chrome steel AISI 430. Three lip seals in NBR.

With float switch for automatic start/stop.

### Applications

For clean or slightly dirty water.

For draining flooded rooms or tanks.

Extraction of water from ponds, flowing water or pits for collection of rain water. For irrigation purposes.

For use outdoor, the power supply cable shall have a length not less than 10 m.

### Operating conditions

Maximum liquid temperature for prolonged use: 35 °C (with immersed motor).

Immersion depth: 5 m max (with suitable cable length).

Not suitable for continuous duty for prolonged time.

### Motor

2-pole induction motor, 50 Hz ( $n \approx 2900$  rpm).

Single-phase 230 V  $\pm 10\%$ , with thermal protector.

Capacitor inserted in the housing incorporated in the plug.

Cable: with plug, length 5 m, 245IEC57 4 G 0,75 mm<sup>2</sup>, according to EN 60335-2-41 for pumps up to 5 kg.

Insulation class B.

Protection IP X8.

Triple impregnation humidity-proof dry winding.

### Special features on request

Other voltages.

Frequency 60 Hz (as per 60 Hz data sheet).

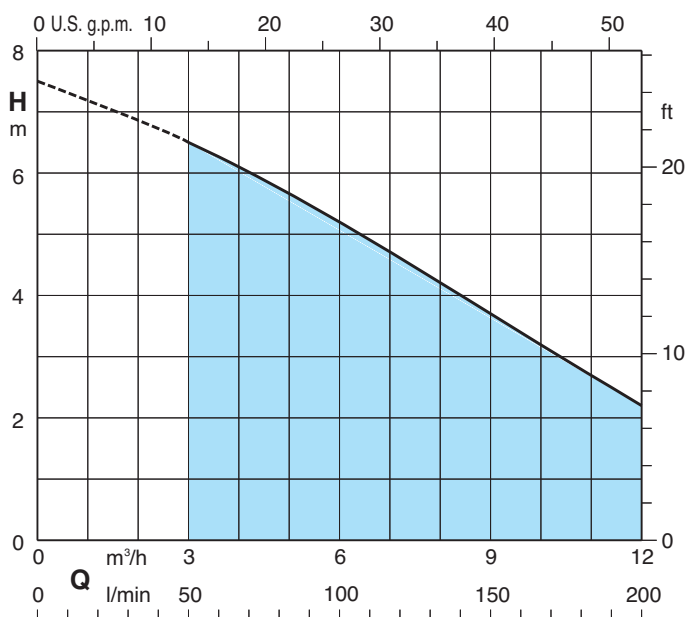
Cable H07RN8-F, 4 G 1 mm<sup>2</sup>, length 10 m, without plug.

Control box with capacitor, for pumps with cable without plug.

Without float switch.

With elbow on discharge port.

### Characteristic curve and performance $n \approx 2900$ rpm



1~	230V	Capacitor		P1	P2		m³/h Q l/min	0	3	6	9	12	
		μF	V		kW	kW		HP	H m	0	50	100	150
<b>GM 10</b>		1,75	6,3	450	0,4	0,3	0,4	<b>H m</b>	7,5	6,5	5,2	3,7	2,2

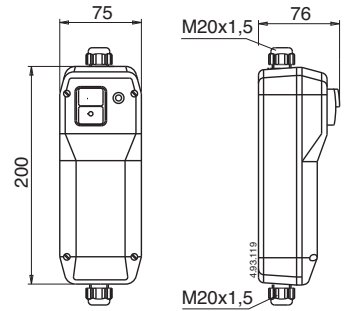
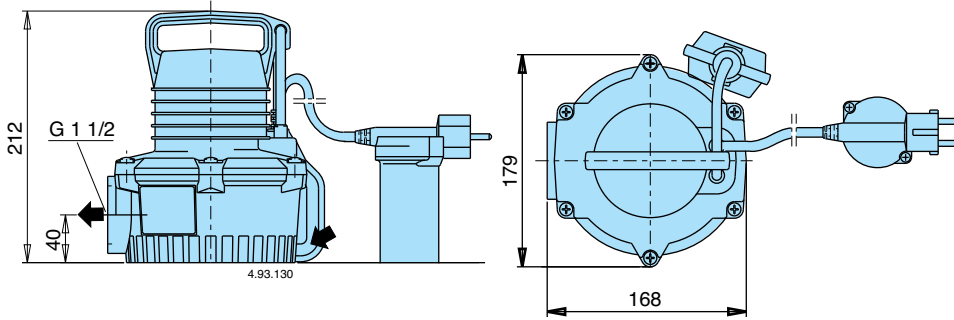
P1 Max. power input  
 P2 Rated motor power output  
 H Total head in m

### Dimensions and weights

Weight kg 5

Control box (on request)

Type	Capacitor	Weight
QM 10	6,3 $\mu$ F 450 V	0,4 kg



### Installation examples

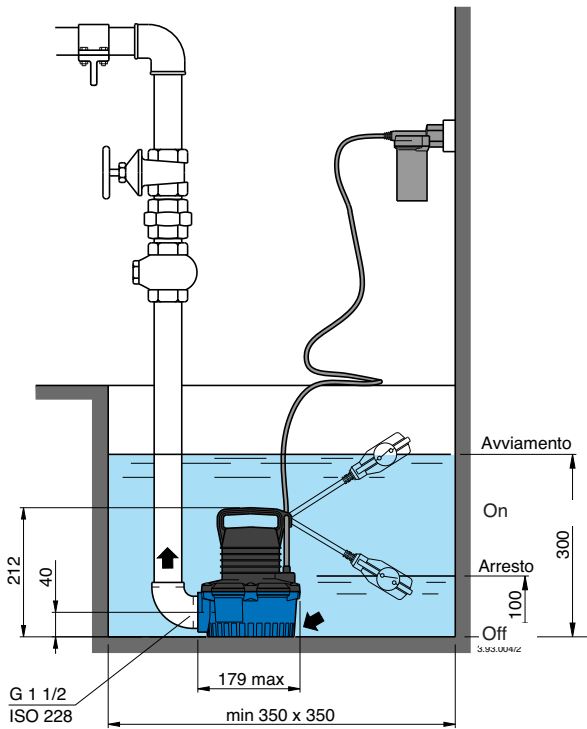
### Features

#### Maximum reliability

A metal support ensures correct alignment between the pump shaft and the motor also in heavy duty conditions.  
A threaded metallic insert in the delivery port allows for secure connection of the delivery pipe or fitting without any risk of damaging the pump.  
A suction strainer prevents solids bigger than 8 mm grain size from entering the pump.

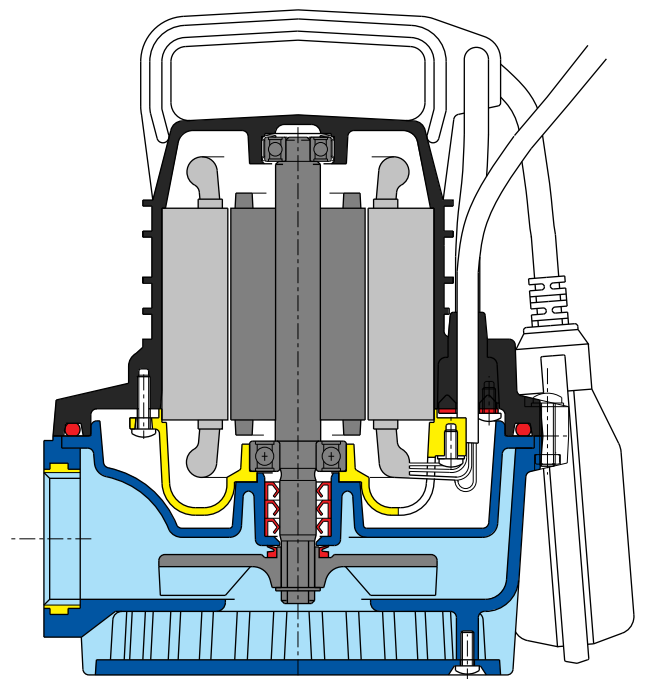
#### Compact

Minimum dimension and high levels of performance, for use in many different applications, for flow rates up to 200 liters/min.



#### Low cost installation

Immersed without suction pipe and valve. No filling operations at start-up, no suction problems and greater safety against running dry.



# GXR, GXV

Submersible Pumps  
in stainless steel



## Construction

Single-impeller submersible pumps in chrome-nickel stainless steel, with vertical delivery port.

**GXR:** with open impeller.

**GXV:** with free-flow (vortex) impeller.

Motor cooled by the pumped water passing between the motor jacket and the external jacket.

Double shaft seal with oil chamber.

## Applications

**GXR:** - For clean water containing solids up to 10 mm grain size.  
- For draining rooms or emptying tanks.

- Extraction of water from ponds, streams or pits and for rainwater collection.  
- For irrigation purposes.

**GXV:** - For clean or slightly dirty water, containing solids up to 25 mm grain size.

- Particularly suitable for liquids with a high solid content.

For outdoor use a power supply cable of not less than 10 m should be used in accordance with: EN 60 335-2-41.

## Operating conditions

Liquid temperature up to 50° C.

Maximum immersion depth: 5 m.

Minimum water level with float: GXR = 70 mm, GXV = 130 mm.

Minimum water level manual operation: GXR = 15 mm, GXV = 30 mm.

Continuous duty.

## Materials

Component	Material
Pump casing	Chrome-nickel steel 1.4301 EN 10088 (AISI 304)
Strainer	
Impeller	
Motor jacket	
Pump jacket	
Handle	Polypropylene
Shaft	Chrome-nickel steel 1.4305 EN 10088 (AISI 303)
Mechanical seal	Ceramic alumina/Carbon/NBR
Seal lubrication oil	Oil for food/pharmaceutical machinery

## Motor

2-pole induction motor, 50 Hz (n ≈ 2900 rpm).

**GXR, GXV:** three-phase 230 V ± 10%;  
three-phase 400 V ± 10%;

**GXRM, GXVM:** single-phase 230 V,  
with float switch and thermal protector.  
Incorporated capacitor.

Insulation class F.

Protection IP X8 (for continuous immersion)

Double impregnation humidity-proof dry winding.

Constructed in accordance with: EN 60034-1;

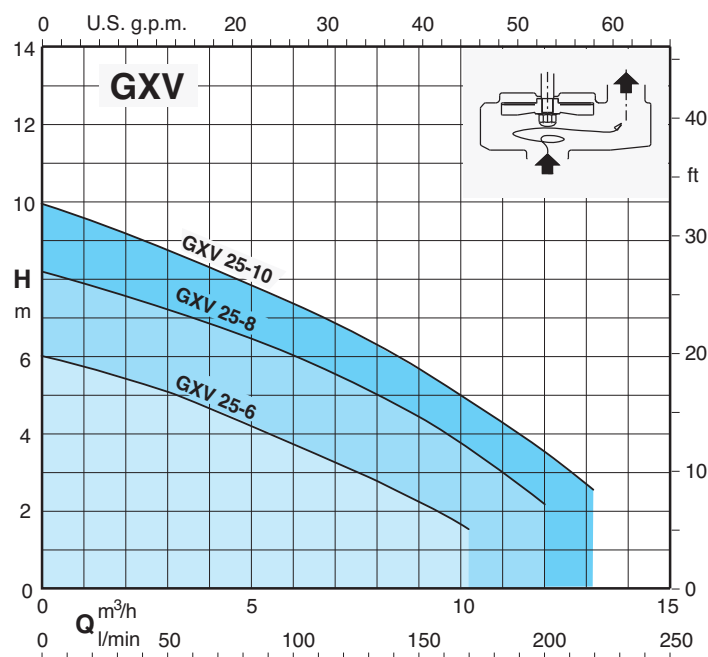
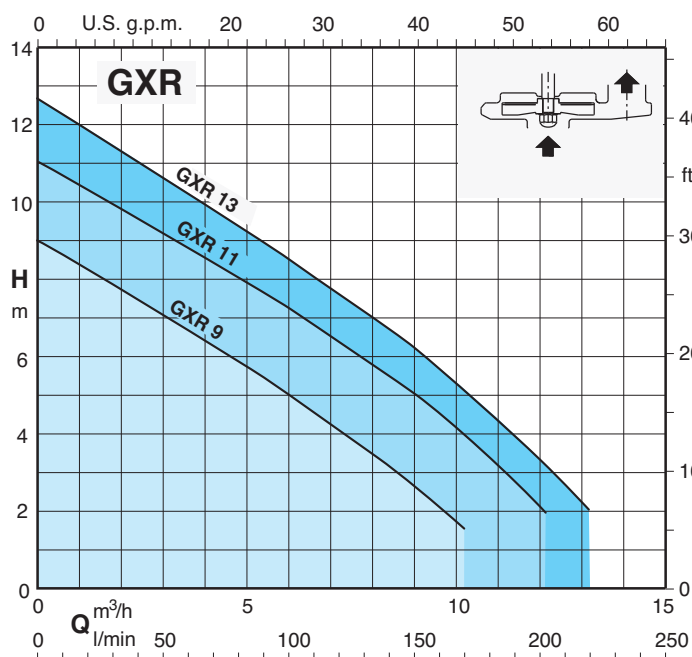
EN 60335-1, EN 60335-2-41.

## Other features on request

- Other voltages. - Frequency 60 Hz. - Other mechanical seal. - Cable length 10 m.

- Vertical magnetic float switch. - Motor suitable for operation with frequency converter.

## Characteristic curves n ≈ 2900 rpm



### Performance n ≈ 2900 rpm

3~	230V 400V		1~	230V Capacitor			P1			P2			Q	m³/h								
	A	A		A	µf	Vc	kW	kW	HP	l/min	0	1,2		3	4,5	6	7,5	9	10,2	12	13,2	
<b>GXR 9</b>	1,6	0,9	<b>GXRM 9</b>	2,5	8	450	0,5	0,25	0,33	<b>H m</b>	9	8,3	7	6	4,8	3,6	2,5	1,7				
<b>GXR 11</b>	2,3	1,3	<b>GXRM 11</b>	3,5	12,5	450	0,7	0,37	0,5		11	10,4	9,5	8,5	7,5	6,5	5,3	4,2	2,2			
<b>GXR 13</b>	2,8	1,6	<b>GXRM 13</b>	4,5	16	450	0,95	0,45	0,6		12,7	11,7	10,7	9,7	8,5	7,3	6,3	5,2	3,2	2		

3~	230V 400V		1~	230V Capacitor			P1			P2			Q	m³/h								
	A	A		A	µf	Vc	kW	kW	HP	l/min	0	1,2		3	4,5	6	7,5	9	10,2	12	13,2	
<b>GXV 25-6</b>	1,6	0,9	<b>GXVM 25-6</b>	2,5	8	450	0,5	0,25	0,33	<b>H m</b>	6	5,7	5,2	4,5	3,8	3	2,2	1,5				
<b>GXV 25-8</b>	2,3	1,3	<b>GXVM 25-8</b>	3,5	12,5	450	0,7	0,37	0,5		8,2	7,8	7,2	6,7	6,1	5,4	4,5	3,6	2,2			
<b>GXV 25-10</b>	2,8	1,6	<b>GXVM 25-10</b>	4,5	16	450	0,95	0,45	0,6		10	9,5	8,7	8	7,3	6,5	5,7	4,9	3,7	2,6		

P1 Max. power input.

P2 Rated motor power output.

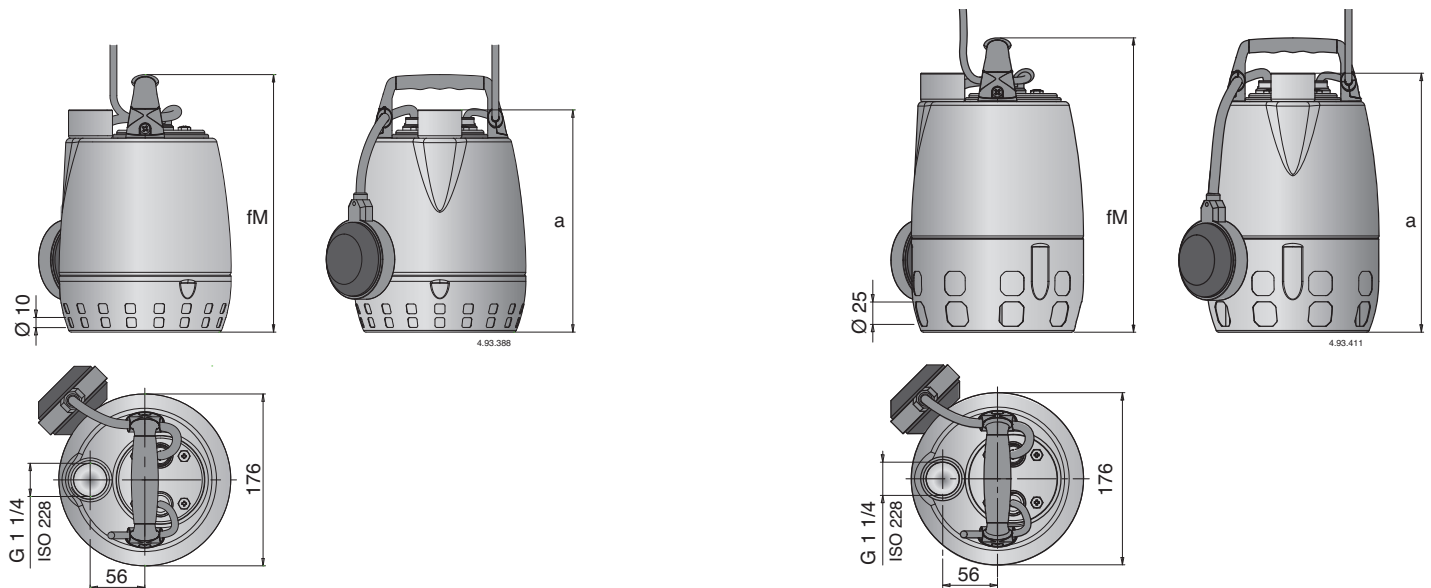
Density  $\rho = 1000 \text{ kg/m}^3$ .

Kinematic viscosity  $\nu = \text{max } 20 \text{ mm}^2/\text{sec}$ .

Tolerances according to UNI EN ISO 9906:2012

Pump type	Power supply cable				Float switch	
	Cable material	Section	Length	Plug CEE 7(VII)	Cable material	Section
GXRM 9 GXVM 25-6	H05RN-F	3G0,75 mm²	5 m	YES	H07RN-F	3G1 mm²
GXRM 11, 13 GXVM 25-8, 25-10	H07RN-F	3G1 mm²	5 m	YES	H07RN-F	3G1 mm²
GXR 9 GXV 25-6	H05RN-F	4G0,75 mm²	5 m	NO	NO	-
GXR 11, 13 GXV 25-8, 25-10	H07RN-F	4G1 mm²	5 m	NO	NO	-

### Dimensions and weights



TYPE	Dimensions mm		(1) kg	
	fM	a	GXR	GXRM
<b>GXR 9 - GXRM 9</b>	265	230	5	5,2
<b>GXR 11 - GXRM 11</b>	300	265	6,2	6,5
<b>GXR 13 - GXRM 13</b>	300	265	6,7	7,2

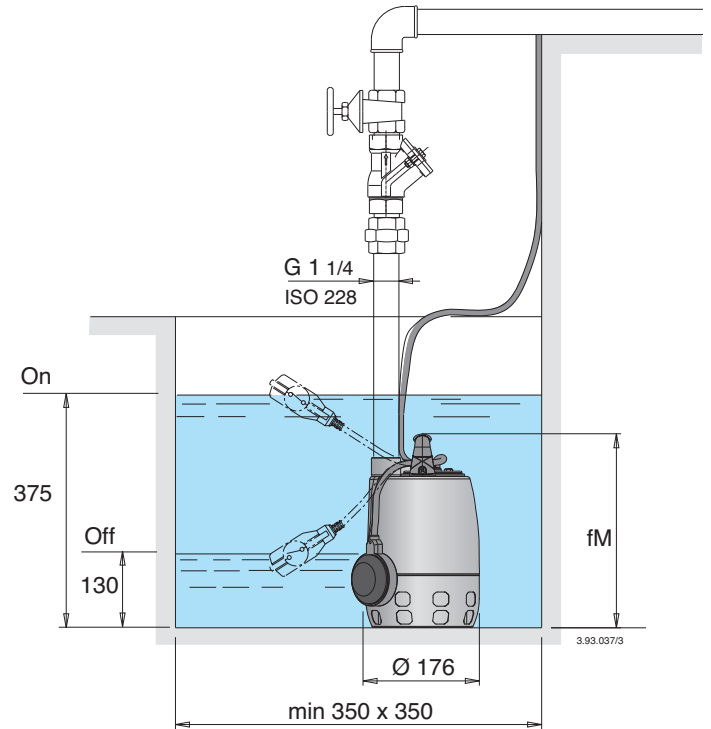
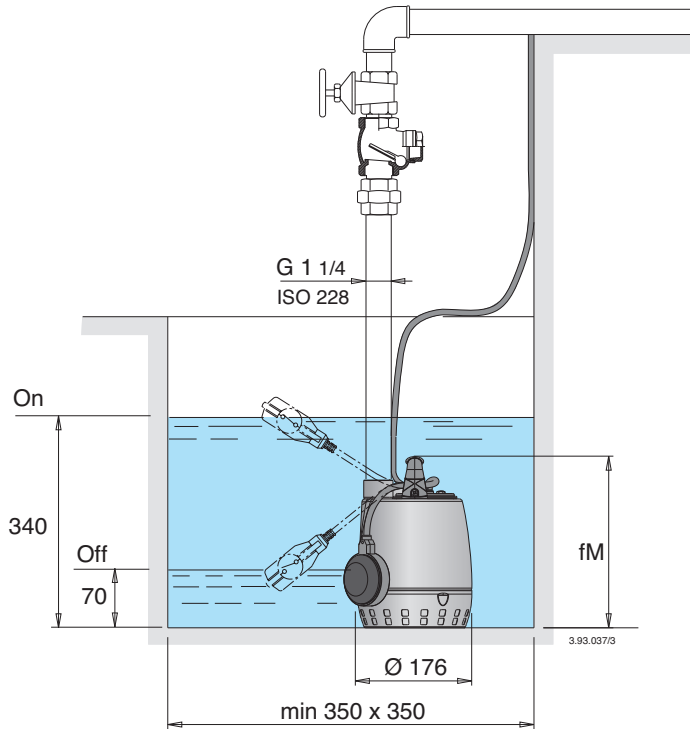
(1) With cable length: 5 m

TYPE	Dimensions mm		(1) kg	
	fM	a	GXV	GXVM
<b>GXV 25-6 - GXVM 25-6</b>	302	267	5,1	5,3
<b>GXV 25-8 - GXVM 25-8</b>	337	302	6,3	6,6
<b>GXV 25-10 - GXVM 25-10</b>	337	302	6,8	7,3

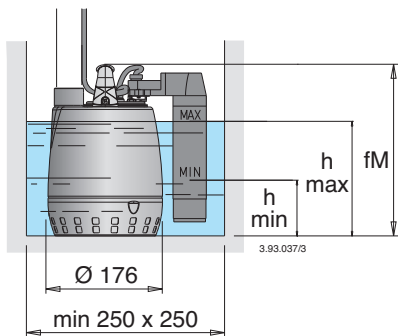
(1) With cable length: 5 m



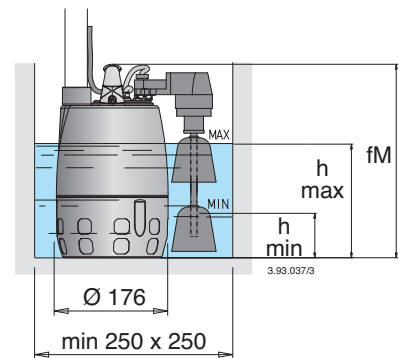
### Installation examples



### Installation examples with vertical magnetic float switch



TYPE	mm		
	fM	h min	h max
<b>GXR 9 GF</b>	265	100	190
<b>GXR 11 GF</b>	300	135	225
<b>GXR 13 GF</b>	300	135	225



TYPE	mm		
	fM	h min	h max
<b>GXV 25-6 GFA</b>	302	70	150
<b>GXV 25-8 GFA</b>	337	70	185
<b>GXV 25-10 GFA</b>	337	70	185

# GXR, GXV

Submersible Pumps  
in stainless steel



## Features

PATENTED

G 1 1/4 vertical, upward delivery port for installation in small pits, without the need for an elbow on the pump.

Minimum dimension and high levels of performance, for use in many different applications, head up to 12,7 m and flow rates up to 220 liters/min.

Easy adjustment of the float switch: to allow the adjustment of start/stop pump levels.

Handle in polypropylene.

Easy inspection of the capacitor area.

Shaft in chrome-nickel stainless steel.

Motor cooled by the pumped water passing between the motor jacket and the external jacket.

Ceramic stainless steel shaft sleeve.

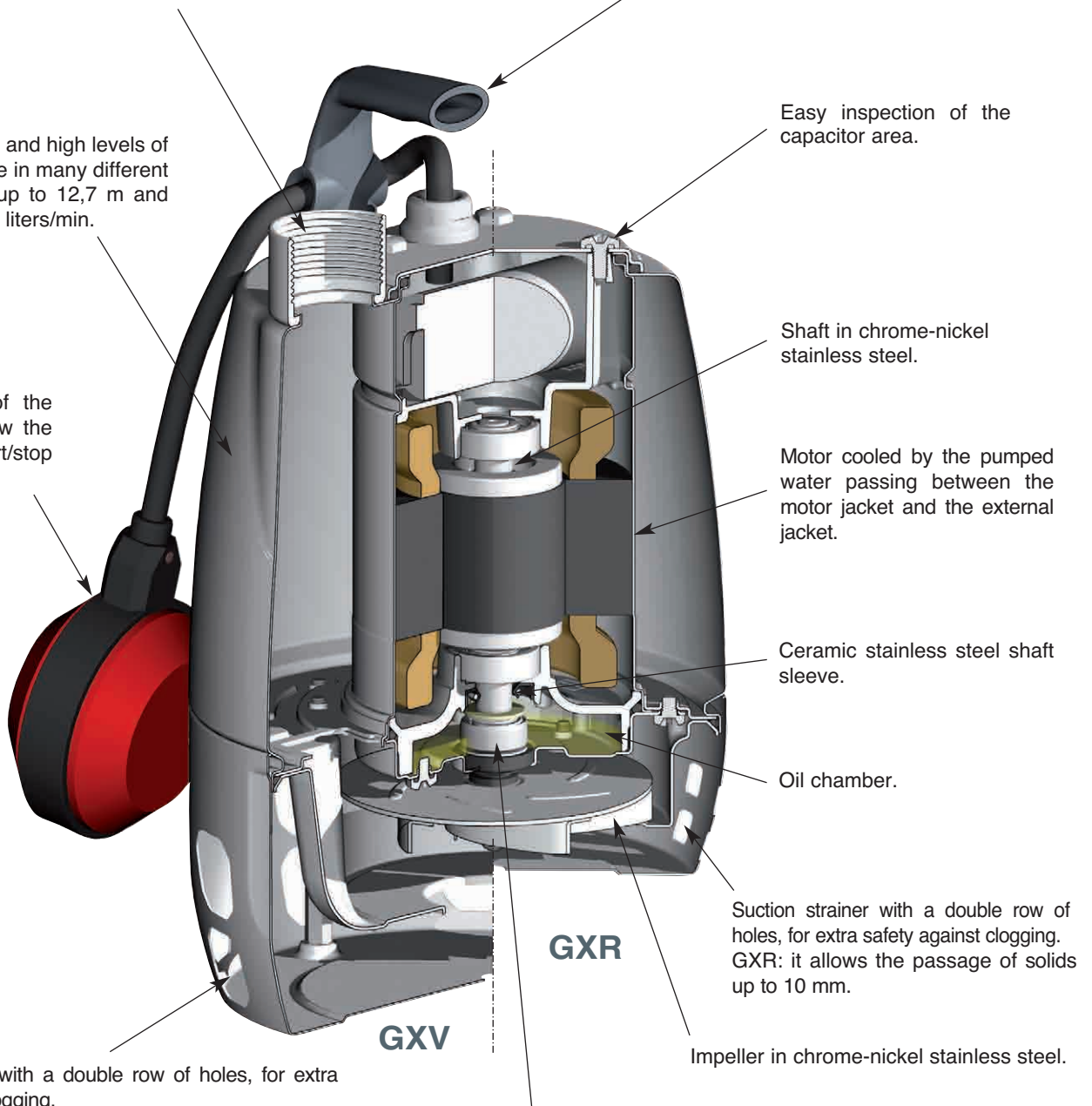
Oil chamber.

Suction strainer with a double row of holes, for extra safety against clogging. GXR: it allows the passage of solids up to 10 mm.

Impeller in chrome-nickel stainless steel.

Suction strainer with a double row of holes, for extra safety against clogging. GXV: it allows the passage of solids up to 25 mm.

The double shaft seal with oil chamber separates the motor from the water and provides further protection against accidental operation when dry.



# GXR 12

Submersible Pumps  
in stainless steel



## Construction

Single-impeller submersible pumps in chrome-nickel stainless steel, with vertical delivery port.

**GXR:** with open impeller.

Motor cooled by the pumped water passing between the motor jacket and the external jacket.

Double shaft seal with oil chamber.

## Applications

- For clean water containing solids up to 12 mm grain size.
- For draining rooms or emptying tanks.
- Extraction of water from ponds, streams or pits and for rainwater collection.
- For irrigation purposes.

For outdoor use a power supply cable of not less than 10 m should be used in accordance with: EN 60335-2-41.

## Operating conditions

Liquid temperature up to 40° C.

Maximum immersion depth: 5 m.

Minimum water level with float: 70 mm.

Minimum water level manual operation: 15 mm.

Continuous duty.

## Motor

2-pole induction motor, 50 Hz ( $n \approx 2900$  rpm).

**GXR:** three-phase 230 V  $\pm 10\%$ ;

three-phase 400 V  $\pm 10\%$ ;

Cable: H07RN-F, 4G1 mm<sup>2</sup>, length 10 m, without plug.

**GXRM:** single-phase 230 V,

with float switch and thermal protector.

Incorporated capacitor.

Cable: H07RN-F, 3G1 mm<sup>2</sup> (3G1,5 mm<sup>2</sup> for 1,1 kW, 3G2,5 mm<sup>2</sup> for 1,5 kW), length 10 m, with plug CEI-UNEL 47166.

Insulation class F.

Protection IP X8 (for continuous immersion)

Double impregnation humidity-proof dry winding.

Constructed in accordance with: EN 60034-1;

EN 60335-1, EN 60335-2-41.

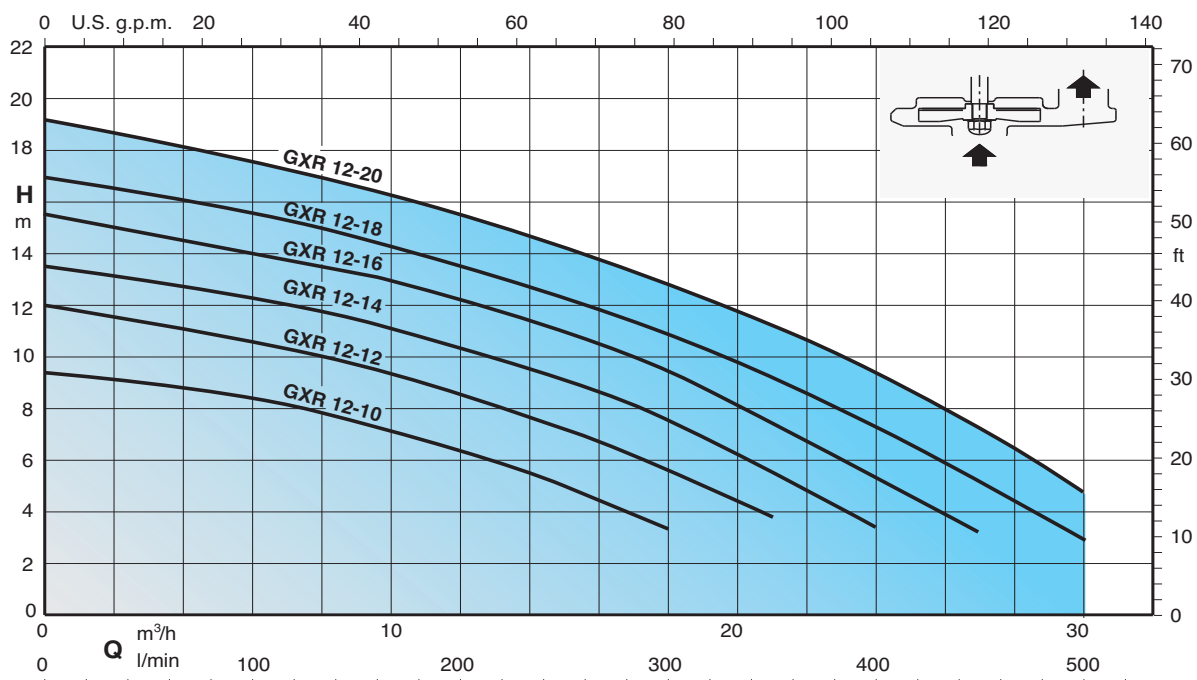
## Other features on request

- Other voltages. - Frequency 60 Hz.
- Other mechanical seal. - Cable length 20 m.
- Vertical magnetic float switch.
- Motor suitable for operation with frequency converter.
- Three-phase pumps with incorporated float switch.

## Materials

Component	Material
Pump casing Strainer Impeller Motor jacket Pump jacket	Chrome-nickel steel 1.4301 EN 10088 (AISI 304)
Handle	Polypropylene (with frame in AISI 304)
Shaft	Chrome-nickel steel 1.4301 EN 10088 (AISI 304)
Mechanical seal: upper lower	Ceramic alumina/Carbon/NBR
Seal lubrication oil	Oil for food/pharmaceutical machinery

## Characteristic curves $n \approx 2900$ rpm



### Performance $n \approx 2900$ rpm

3~	230V 400V		1~	230V	Capacitor		P <sub>1</sub>	P <sub>2</sub>			Q	H <sub>m</sub>										
	A	A			A	μf		Vc	kW	kW		HP	m <sup>3</sup> /h	l/min	0	3	6	9	12	15	18	21
<b>GXR 12-10</b>	2,6	1,5	<b>GXR 12-10</b>	4	12,5	450	0,85	0,45	0,6	H <sub>m</sub>	9,3	9	8,3	7,5	6,3	5	3,3	-	-	-	-	
<b>GXR 12-12</b>	3,3	1,9	<b>GXR 12-12</b>	5,2	16	450	1,1	0,55	0,75		12	11,3	10,6	9,6	8,5	7,2	5,6	3,7	-	-	-	
<b>GXR 12-14</b>	3,8	2,2	<b>GXR 12-14</b>	6	20	450	1,3	0,75	1		13,5	13	12,2	11,4	10,4	9	7,5	5,6	3,3	-	-	
<b>GXR 12-16</b>	4,8	2,8	<b>GXR 12-16</b>	7,4	25	450	1,6	0,9	1,2		15,5	14,7	14	13,2	12,2	11	9,4	7,5	5,4	3,2	-	
<b>GXR 12-18</b>	5,8	3,3	<b>GXR 12-18</b>	9,5	30	450	2	1,1	1,5		17	16,3	15,5	14,6	13,5	12,3	10,8	9,2	7,3	5,2	3	
<b>GXR 12-20</b>	6,9	4	<b>GXR 12-20</b>	13	35	450	2,2	1,5	2		19,2	18,4	17,5	16,5	15,5	14,2	12,8	11,2	9,3	7,2	4,7	

P<sub>1</sub> Max. power input.

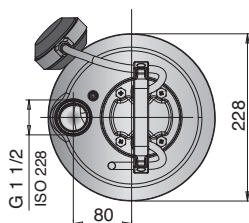
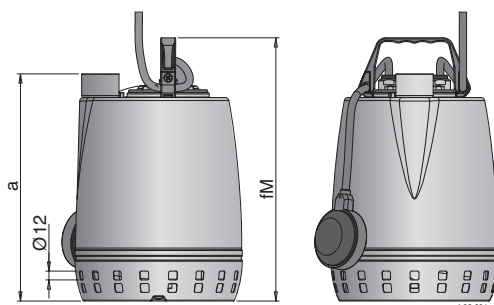
P<sub>2</sub> Rated motor power output.

Density  $\rho = 1000$  kg/m<sup>3</sup>.

Kinematic viscosity  $\nu = \max 20$  mm<sup>2</sup>/sec.

Tolerances according to UNI EN ISO 9906:2012

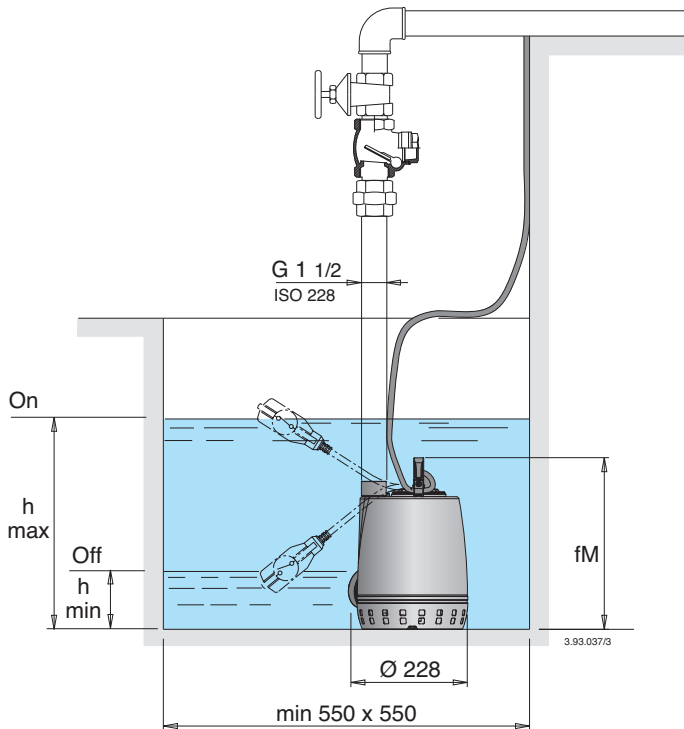
### Dimensions and weights



TYPE	mm		kg <sup>(1)</sup>	
	fM	a	GXR	GXRM
<b>GXR 12-10 - GXRM 12-10</b>	360	310	10,3	11,3
<b>GXR 12-12 - GXRM 12-12</b>	375	325	11,5	12,5
<b>GXR 12-14 - GXRM 12-14</b>	400	350	13	14
<b>GXR 12-16 - GXRM 12-16</b>	400	350	13,6	14,6
<b>GXR 12-18 - GXRM 12-18</b>	420	370	14,4	15,9
<b>GXR 12-20 - GXRM 12-20</b>	450	400	16	17,5

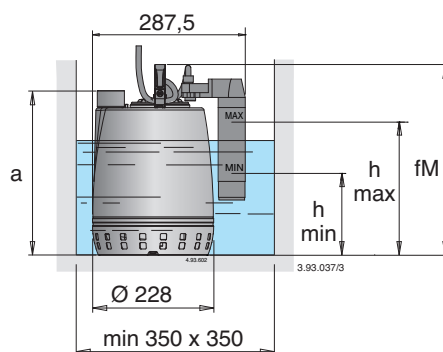
(1) With cable length: 10 m

### Installation examples



TYPE	mm		
	fM	h min	h max
<b>GXR 12-10 - GXRM 12-10</b>	360	175	435
<b>GXR 12-12 - GXRM 12-12</b>	375	190	450
<b>GXR 12-14 - GXRM 12-14</b>	400	215	475
<b>GXR 12-16 - GXRM 12-16</b>	400	215	475
<b>GXR 12-18 - GXRM 12-18</b>	420	235	495
<b>GXR 12-20 - GXRM 12-20</b>	450	265	525

### Installation examples with vertical magnetic float switch



TYPE	mm			
	fM	a	h min	h max
<b>GXRM 12-10 GF</b>	360	310	180	270
<b>GXRM 12-12 GF</b>	375	325	195	285
<b>GXRM 12-14 GF</b>	400	350	220	310
<b>GXRM 12-16 GF</b>	400	350	220	310

### Features

PATENTED

G 1 1/2 vertical, upward delivery port for installation in small pits, without the need for an elbow on the pump.

Handle in polypropylene, with frame in stainless steel.

Easy inspection of the capacitor area.

Shaft in chrome-nickel stainless steel.

Easy adjustment of the float switch: to allow the adjustment of start/stop pump levels.

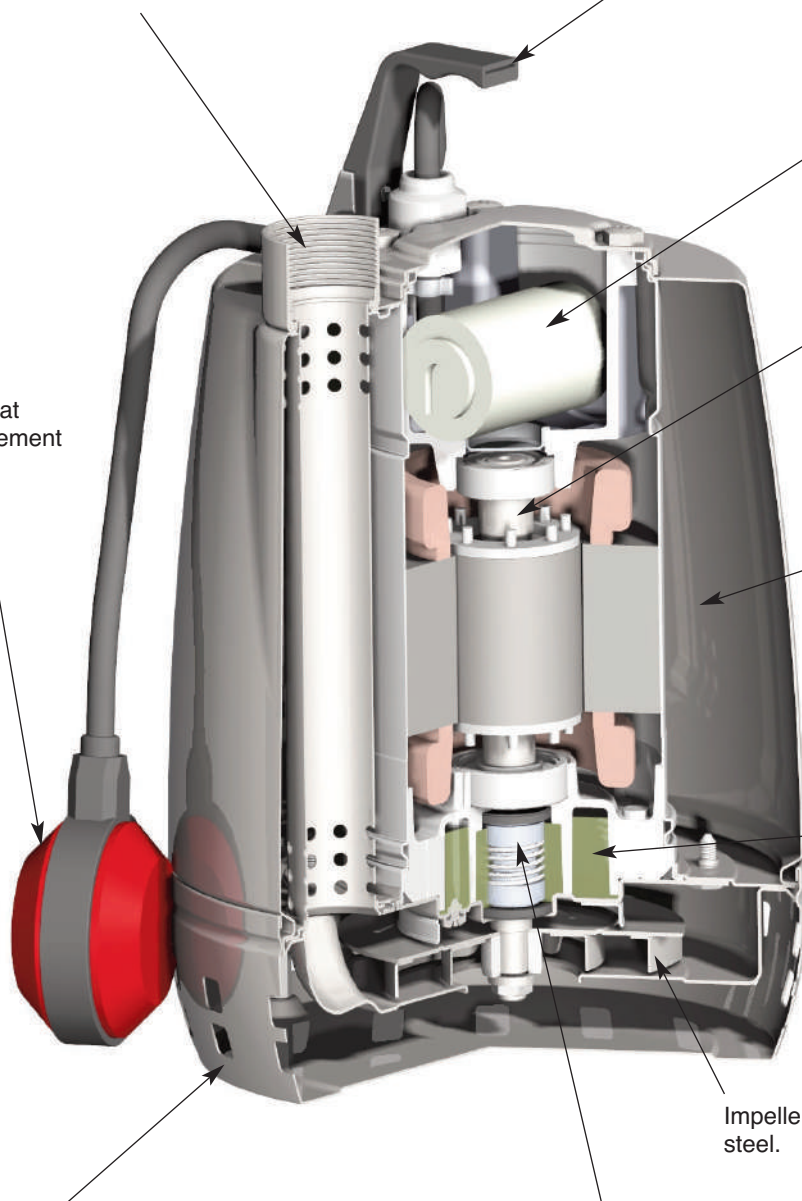
Motor cooled by the pumped water passing between the motor jacket and the external jacket.

Chamber with food/pharmaceutical machinery oil

Impeller in chrome-nickel stainless steel.

Suction strainer with a double row of holes, for extra safety against clogging with the passage of solids up to 12 mm grain size.

The double shaft seal with oil chamber separates the motor from the water and provides further protection against accidental operation when dry.





### Construction

Single-impeller submersible pumps in chrom-enickel-molybdenum stainless steel **AISI 316L**, with vertical delivery port.

**GXVL**: with free-flow (vortex) impeller.

Motor cooled by the pumped water passing between the motor jacket and the external jacket.

Double shaft seal with oil chamber.

### Applications

For clean or slightly dirty water, containing solids up to 25 mm grain size.

Particularly suitable for liquids with a high solid content.

For outdoor use a power supply cable of not less than 10 m should be used in accordance with: EN 60 335-2-41.

### Operating conditions

Liquid temperature up to 50° C.

Maximum immersion depth: 5 m.

Minimum water level with float 130 mm.

Minimum water level manual operation 30 mm.

Continuous duty.

### Motor

2-pole induction motor, 50 Hz ( $n \approx 2900$  rpm).

**GXVL**: three-phase 230 V  $\pm 10\%$ ;

three-phase 400 V  $\pm 10\%$ ;

Cable: H07RN-F, 4G1 mm<sup>2</sup>, length 5 m, without plug.

**GXVLM**: single-phase 230 V,

with float switch and thermal protector.

Incorporated capacitor.

Cable: H07RN-F, 3G1 mm<sup>2</sup>, length 5 m, with plug

CEI-UNEL 47166.

Insulation class F.

Protection IP X8 (for continuous immersion)

Double impregnation humidity-proof dry winding.

Constructed in accordance with: EN 60034-1;

EN 60335-1, EN 60335-2-41.

### Other features on request

- Other voltages.

- Frequency 60 Hz.

- Other mechanical seal.

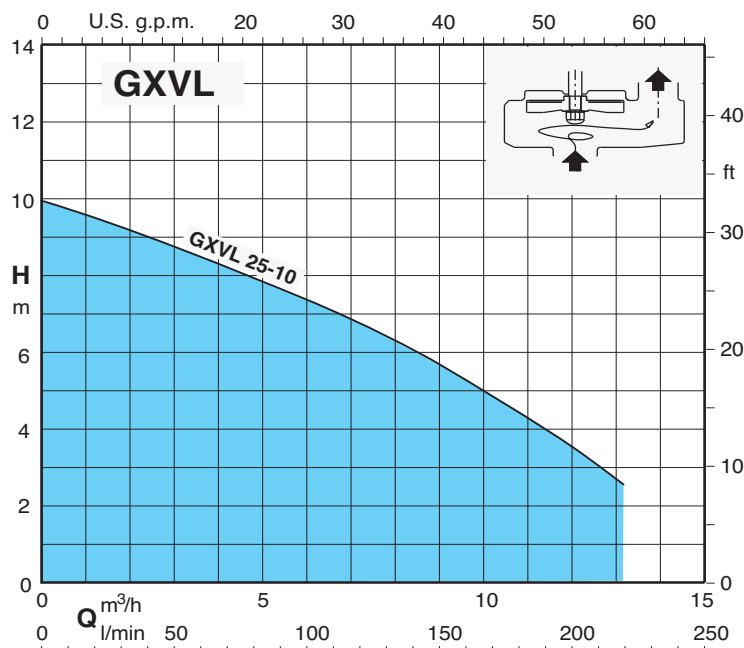
- Cable length 10 m.

- Motor suitable for operation with frequency converter.

### Materials

Component	Material
Pump casing	Cr-Ni-Mo steel 1.4404 EN 10088 (AISI 316L)
Strainer	
Impeller	
Motor jacket	
Pump jacket	
Handle	Polypropylene
Shaft	Cr-Ni-Mo steel 1.4404 EN 10088 (AISI 316L)
Mechanical seal	Ceramic alumina/Carbon/NBR
Seal lubrication oil	Oil for food/pharmaceutical machinery

### Characteristic curves $n \approx 2900$ rpm



### Performance $n \approx 2900$ rpm

3~	230V 400V		1~	230V Capacitor			P1			P2			Q										
	A	A		A	$\mu$ f	Vc	kW	kW	HP	m <sup>3</sup> /h	l/min	H m		0	1,2	3	4,5	6	7,5	9	10,2	12	13,2
<b>GXVL 25-10</b>	2,8	1,6	<b>GXVLM 25-10</b>	4,5	16	450	0,95	0,45	0,6	<b>H m</b>	10	9,5	8,7	8	7,3	6,5	5,7	4,9	3,7	2,6			

P1 Max. power input.

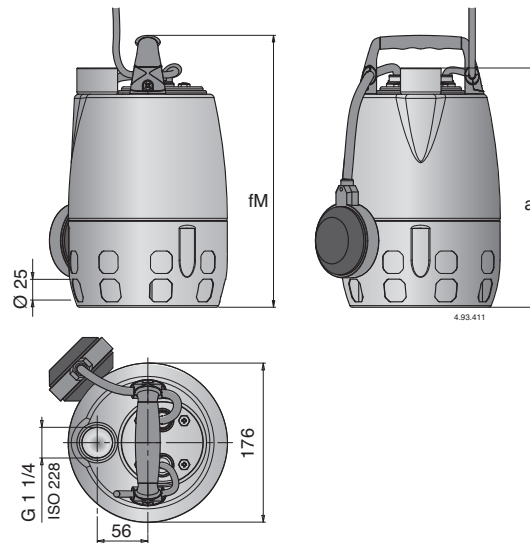
P2 Rated motor power output.

Density  $\rho = 1000$  kg/m<sup>3</sup>.

Kinematic viscosity  $\nu = \max 20$  mm<sup>2</sup>/sec.

Tolerances according to UNI EN ISO 9906:2012

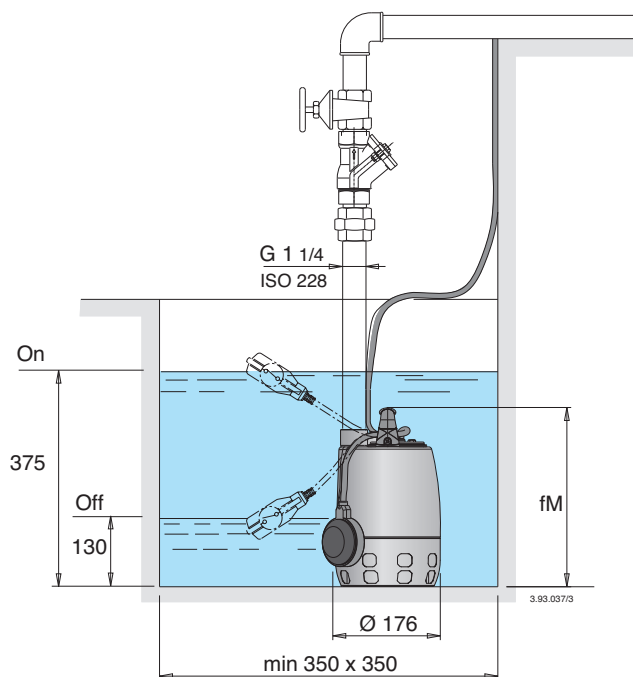
### Dimensions and weights



TYPE	Dimensions mm		(1) kg	
	fM	a	GXVL	GXVLM
<b>GXVL 25-10 - GXVLM 25-10</b>	337	302	6,8	7,3

(1) With cable length: 5 m

### Installation examples





# GX ZERO

Submersible clean water pumps



## Construction

Single-impeller submersible pumps in chrome-nickel stainless steel, with vertical delivery port and suction non-return valve. Suction capability up to 1 mm from the bottom. Motor cooled by the pumped water passing between the motor jacket and the external jacket. Double shaft seal with oil chamber. The pump is fitted with a suction non-return valve which, during operation, allows to manually move the pump to several points in the room and draw water up to 1 mm avoiding that the pump loses its priming.

## Applications

For clean water containing solids up to 3 mm grain size. For draining rooms or emptying tanks. Extraction of water from ponds, streams or pits and for rainwater collection. For irrigation purposes.

## Operating conditions

Liquid temperature up to 35° C.  
Maximum immersion depth: 5 m.  
Minimum water level 1 mm.  
Continuous duty.

## Motor

2-pole induction motor, 50 Hz ( $n \approx 2900$  rpm).  
**GX ZERO:** three-phase 230 V  $\pm 10\%$ ; three-phase 400 V  $\pm 10\%$ ; Cable: H05RN-F, 4G0,75 mm<sup>2</sup>, length 10 m, without plug.  
**GXM ZERO:** single-phase 230 V, with thermal protector. Incorporated capacitor. Cable: H05RN-F, 3G0,75 mm<sup>2</sup>, length 10 m, with plug CEI-UNEL 47166.

Insulation class F.  
Protection IP X8 (for continuous immersion)  
Double impregnation humidity-proof dry winding.  
Constructed in accordance with: EN 60335-2-41.

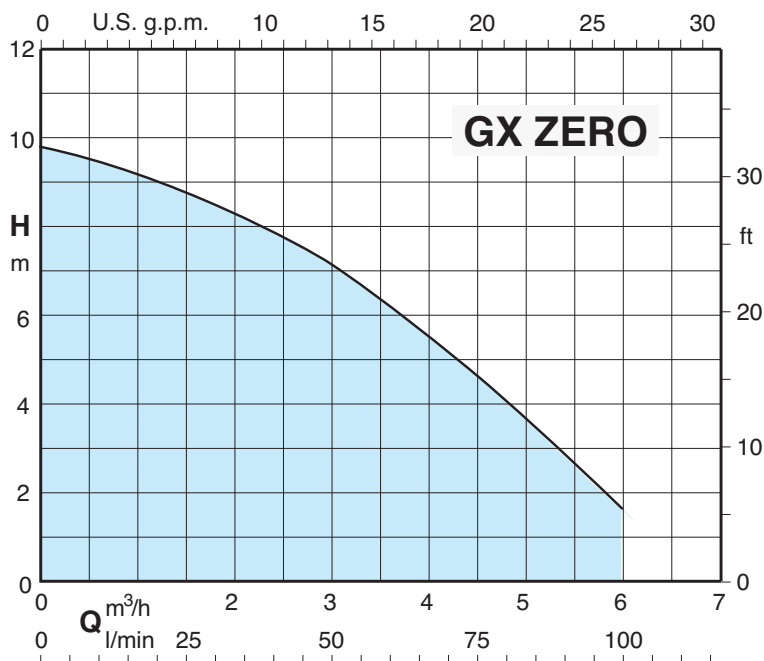
## Other features on request

- Other voltages.
- Frequency 60 Hz.
- Other mechanical seal.
- Motor suitable for operation with frequency converter.

## Materials

Component	Material
Pump casing	PA66-50FV (Noryl)
Impeller	PPO-GF20 (Noryl)
Valve	NBR / Chrome-nickel steel AISI 304
Motor jacket Pump jacket	Chrome-nickel steel 1.4301 EN 10088 (AISI 304)
Strainer Handle	Polypropylene
Shaft	Chrome-nickel steel 1.4305 EN 10088 (AISI 303)
Mechanical seal	Ceramic alumina/Carbon/NBR
Seal lubrication oil	Oil for food/pharmaceutical machinery

## Characteristic curves $n \approx 2900$ rpm



### Performance $n \approx 2900$ rpm

3~	230V 400V		1~	230V	Capacitor		P <sub>1</sub>	P <sub>2</sub>		Q	H m					
	A	A			A	$\mu$ f		Vc	kW		kW	HP	0	1,2	2,25	3
<b>GX ZERO</b>	1,6	0,9	<b>GXM ZERO</b>	2,5	8	450	0,5	0,25	0,33	<b>H m</b>	9,8	9	8,1	7,1	4,5	1,6

P<sub>1</sub> Max. power input.

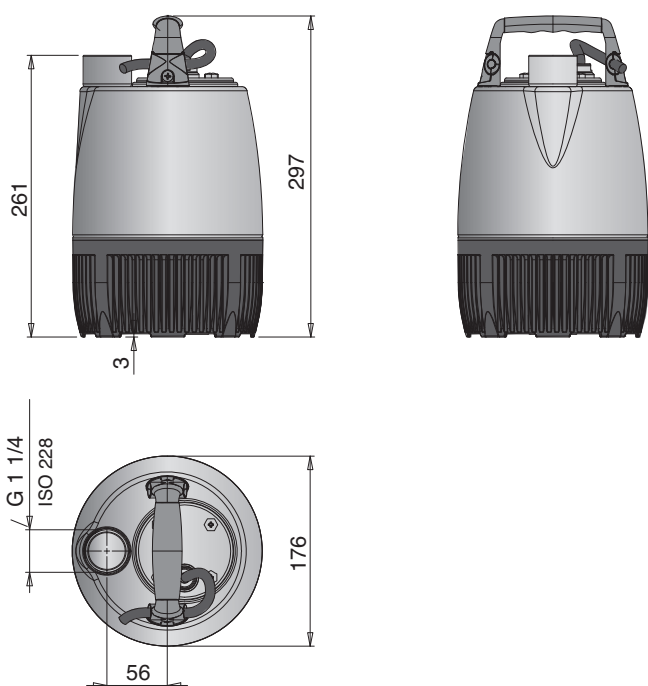
P<sub>2</sub> Rated motor power output.

Density  $\rho = 1000$  kg/m<sup>3</sup>.

Kinematic viscosity  $\nu = \max 20$  mm<sup>2</sup>/sec.

Tolerances according to UNI EN ISO 9906:2012

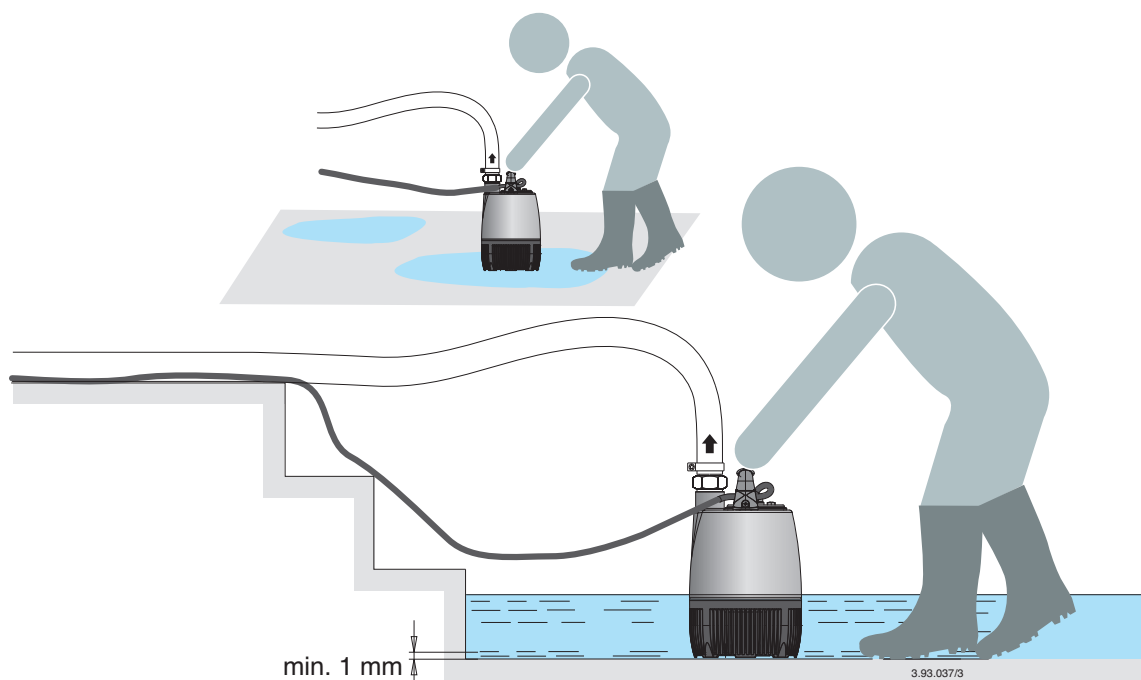
### Dimensions and weights



TYPE	Dimensions mm		(1) kg	
	fM	a	GX	GXM
<b>GX ZERO - GXM ZERO</b>	297	261	5	5,2

(1) With cable length: 10 m

### Installation examples



# GQR Submersible Drainage Pumps



PATENTED



## Materials

Component	Material
Pump casing Impeller	Cast iron GJL 200 EN 1561
Strainer Motor jacket Jacket cover Casing cover	Chrome-nickel steel 1.4301 EN 10088 (AISI 304)
Handle	Polypropylene (with frame in AISI 304)
Shaft	Chrome-nickel steel 1.4301 EN 10088 (AISI 304)
Mechanical seal: upper lower	Ceramic alumina/Carbon/NBR
Seal lubrication oil	Oil for food/pharmaceutical machinery

## Construction

Single-impeller submersible drainage pump, with open impeller.

**GQR:** with vertical threaded delivery port (G 1 1/2).

**GQR 10 32:** with horizontal flanged and threaded delivery port (DN 32, PN 6 - G 1 1/2).

Double mechanical shaft seal with interposed oil chamber, to protect against dry-running.

## Applications

For clean water containing solids up to 10 mm grain size.

For draining rooms or emptying tanks.

Extraction of water from ponds, streams or pits and for rainwater collection.

For irrigation purposes.

## Operating conditions

Liquid temperature up to 35° C.

Maximum immersion depth: 5 m.

Minimum immersion depth: 205 mm.

Continuous duty (with submerged motor).

## Motor

2-pole induction motor, 50 Hz (n ≈ 2900 rpm).

**GQR:** three-phase 230 V ± 10%;

three-phase 400 V ± 10%;

Cable: H07RN-F, 4G1 mm<sup>2</sup>, length 10 m, without plug.

**GQRM:** single-phase 230 V ± 10%;

with float switch and thermal protector.

Incorporated capacitor.

Cable: H07RN-F, 3G1 mm<sup>2</sup>, length 10 m, with plug

CEI-UNEL 47166.

Insulation class F.

Protection IP X8 (for continuous immersion)

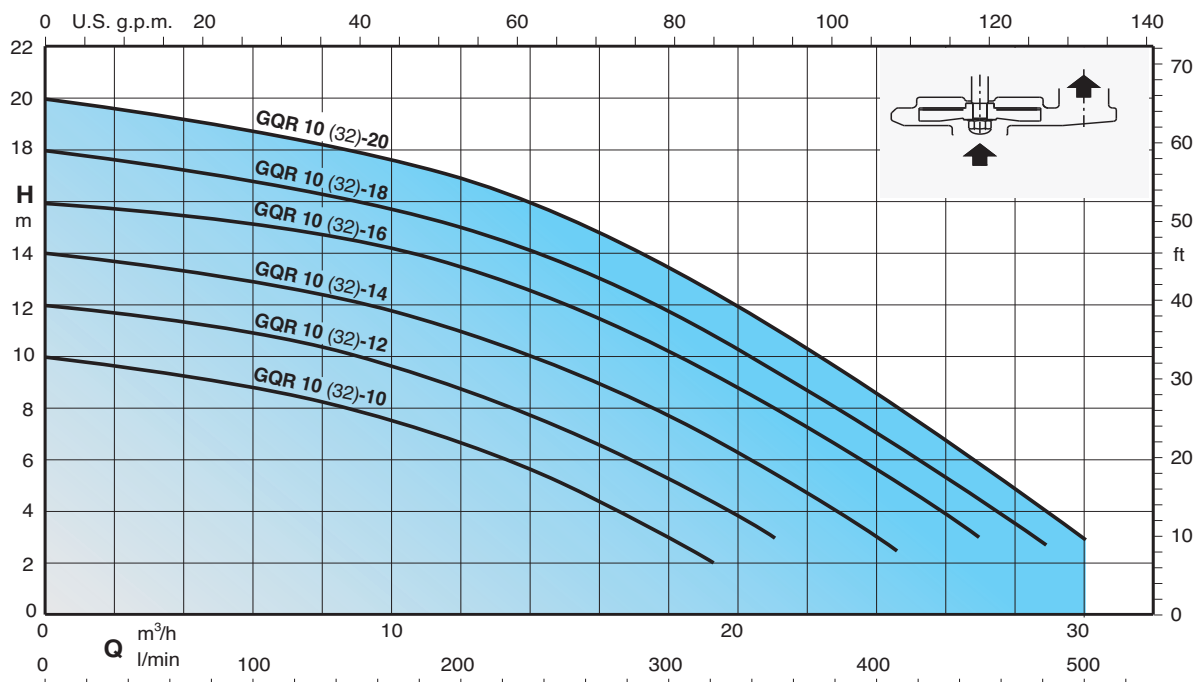
Triple impregnation humidity-proof dry winding.

Constructed in accordance with: EN 60034-1;  
EN 60335-1, EN 60335-2-41.

## Other features on request

- Other voltages. - Frequency 60 Hz (as per 60 Hz data sheet).
- Other mechanical seal.
- Cable length 20 m.
- Vertical magnetic float switch.
- Motor suitable for operation with frequency converter.
- Three-phase pumps with incorporated float switch.

## Characteristic curves n ≈ 2900 rpm



### Performance n ≈ 2900 rpm

3~	230V 400V		1~	230V	Capacitor	P <sub>1</sub>	P <sub>2</sub>		Q	H m										
	A	A					A	µf		Vc	kW	kW	HP	m <sup>3</sup> /h	0	3	6	9	12	15
									l/min	0	50	100	150	200	250	300	350	400	450	500
GQR 10-10 GQR 10 32-10	2	1,2	GQRM 10-10 GQRM 10 32-10	3,1	12,5	450	0,7	0,45	0,6	10	9,5	8,8	8	6,7	5	3	-	-	-	-
GQR 10-12 GQR 10 32-12	2,4	1,4	GQRM 10-12 GQRM 10 32-12	3,6	16	450	1	0,55	0,75	12	11,6	11	10,2	9	7,5	5,5	3,2	-	-	-
GQR 10-14 GQR 10 32-14	2,8	1,6	GQRM 10-14 GQRM 10 32-14	4,6	16	450	1	0,75	1	14	13,5	12,8	12	10,8	9,3	7,5	5,5	3	-	-
GQR 10-16 GQR 10 32-16	4	2,3	GQRM 10-16 GQRM 10 32-16	6	25	450	1,3	0,9	1,2	16	15,5	15	14,2	13,2	11,8	10,2	8	5,5	2,3	-
GQR 10-18 GQR 10 32-18	4,8	2,8	GQRM 10-18 GQRM 10 32-18	8	30	450	1,7	1,1	1,5	18	17,5	17	16,2	15	13,7	11,8	9	7	4,3	-
GQR 10-20 GQR 10 32-20	6,6	3,8	GQRM 10-20 GQRM 10 32-20	13	35	450	2,2	1,5	2	20	19,5	18,8	18	16,8	15,2	13,2	10,8	8,4	5,7	3

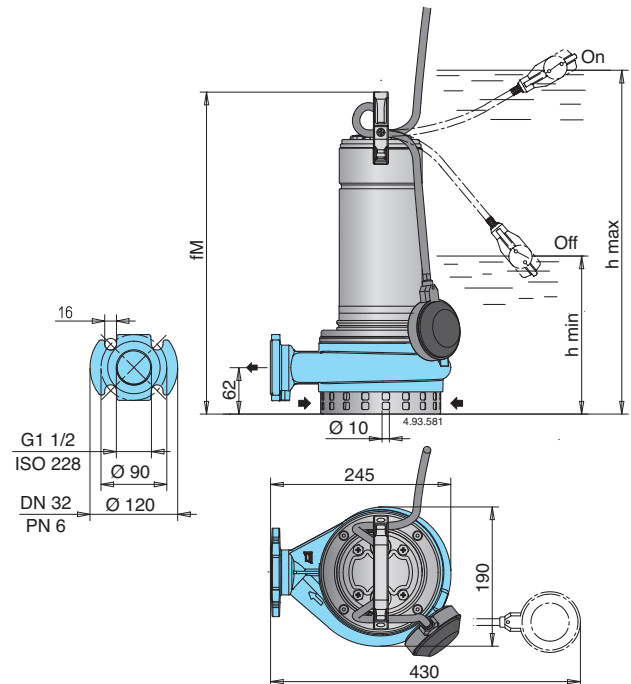
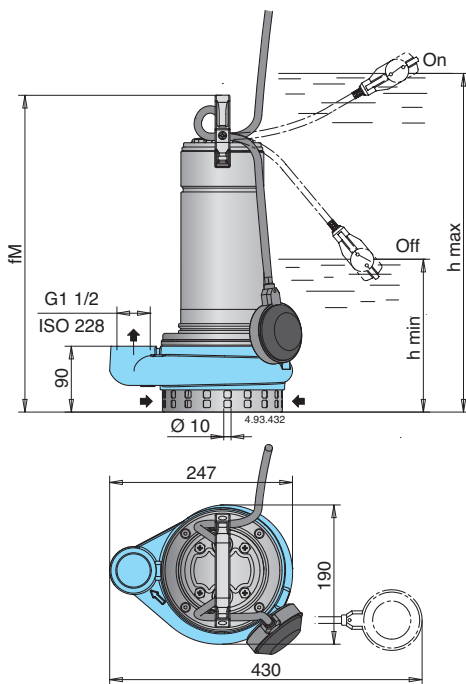
P<sub>1</sub> Max. power input.

P<sub>2</sub> Rated motor power output.

Density ρ = 1000 kg/m<sup>3</sup>.

Kinematic viscosity ν = max 20 mm<sup>2</sup>/sec.

### Dimensions and weights



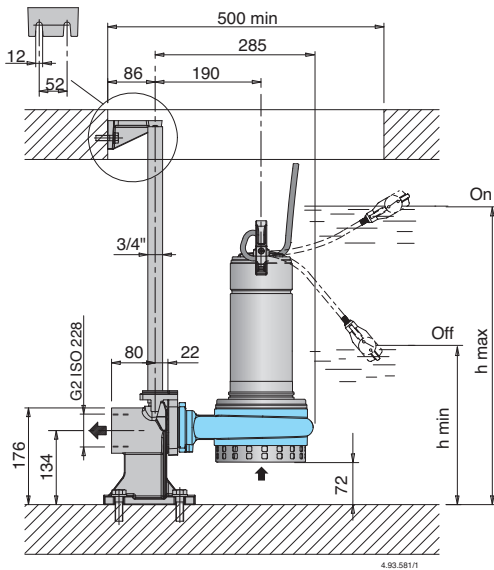
TYPE	mm			kg <sup>(1)</sup>	
	fM	h max	h min	GQR	GQRM
GQR(M) 10-10	390	410	205	14	15
GQR(M) 10-12	405	425	220	14,5	15,5
GQR(M) 10-14	405	425	220	14,5	15,5
GQR(M) 10-16	430	450	245	16	18
GQR(M) 10-18	450	470	265	17,5	19
GQR 10-20	450	470	265	19	-
GQRM 10-20	480	500	295	-	20,5

<sup>1)</sup> With cable length: 10 m

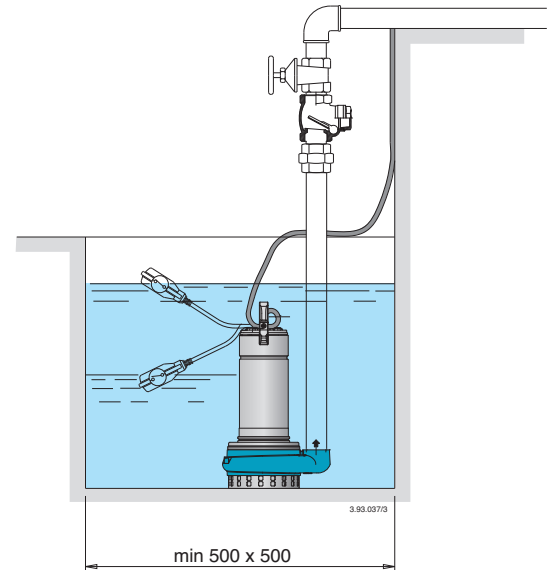
TYPE	mm			kg <sup>(1)</sup>	
	fM	h max	h min	GQR	GQRM
GQR(M) 10 32-10	395	415	210	14,7	15,7
GQR(M) 10 32-12	410	430	225	15,2	16,2
GQR(M) 10 32-14	410	430	225	15,2	16,2
GQR(M) 10 32-16	435	455	250	16,7	18,7
GQR(M) 10 32-18	455	475	270	18,2	19,7
GQR 10 32-20	455	475	270	19,7	-
GQRM 10 32-20	485	505	300	-	21,2

<sup>1)</sup> With cable length: 10 m

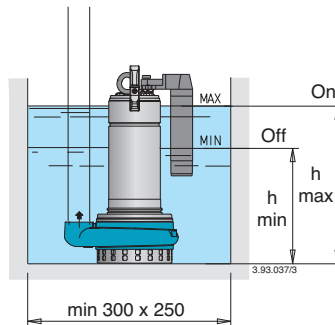
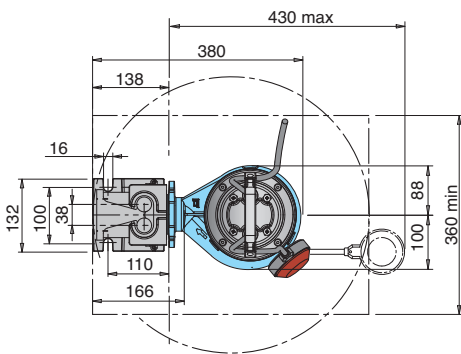
### Installation examples



TYPE	mm	
	h max	h min
GQR(M) 10 32-10	487	282
GQR(M) 10 32-12	502	297
GQR(M) 10 32-14	502	297
GQR(M) 10 32-16	527	322
GQR(M) 10 32-18	547	342
GQR 10 32-20	547	342
GQRM 10 32-20	577	372

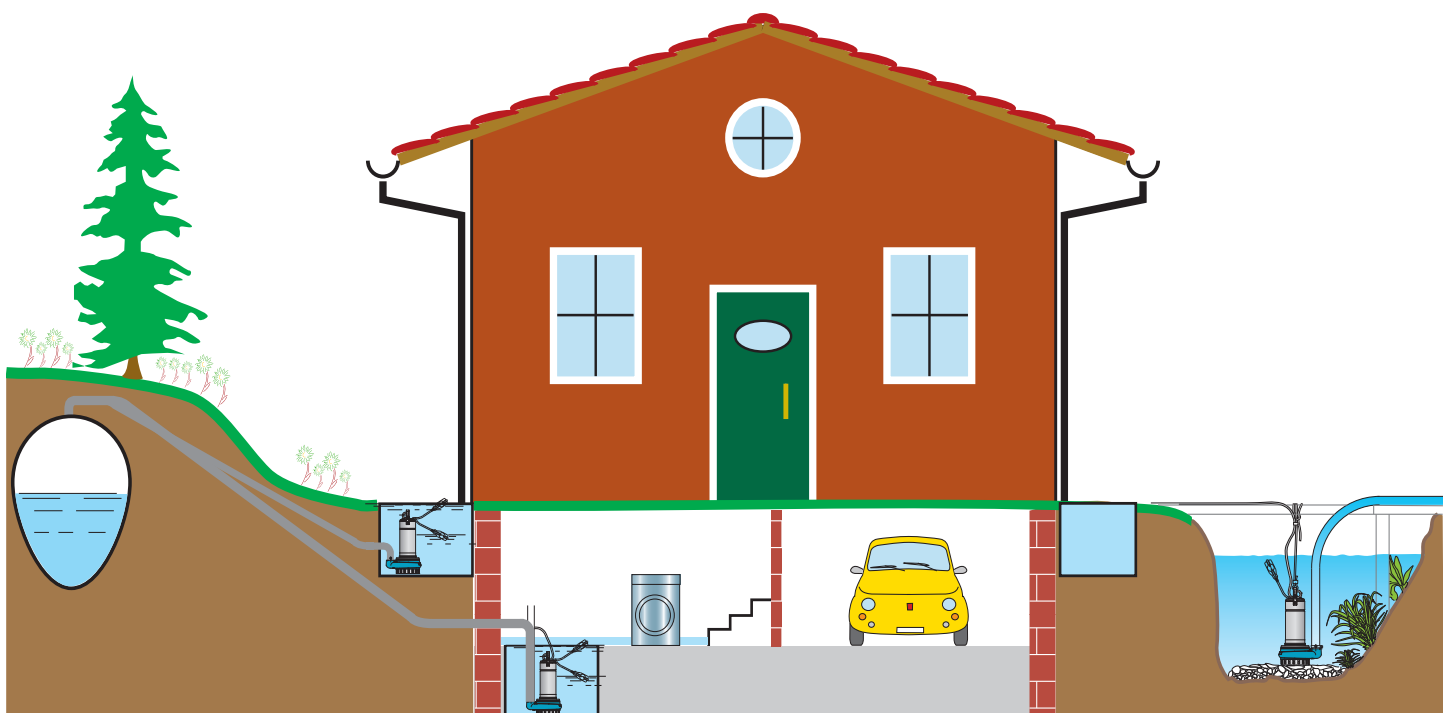


### Installation examples with vertical magnetic float switch

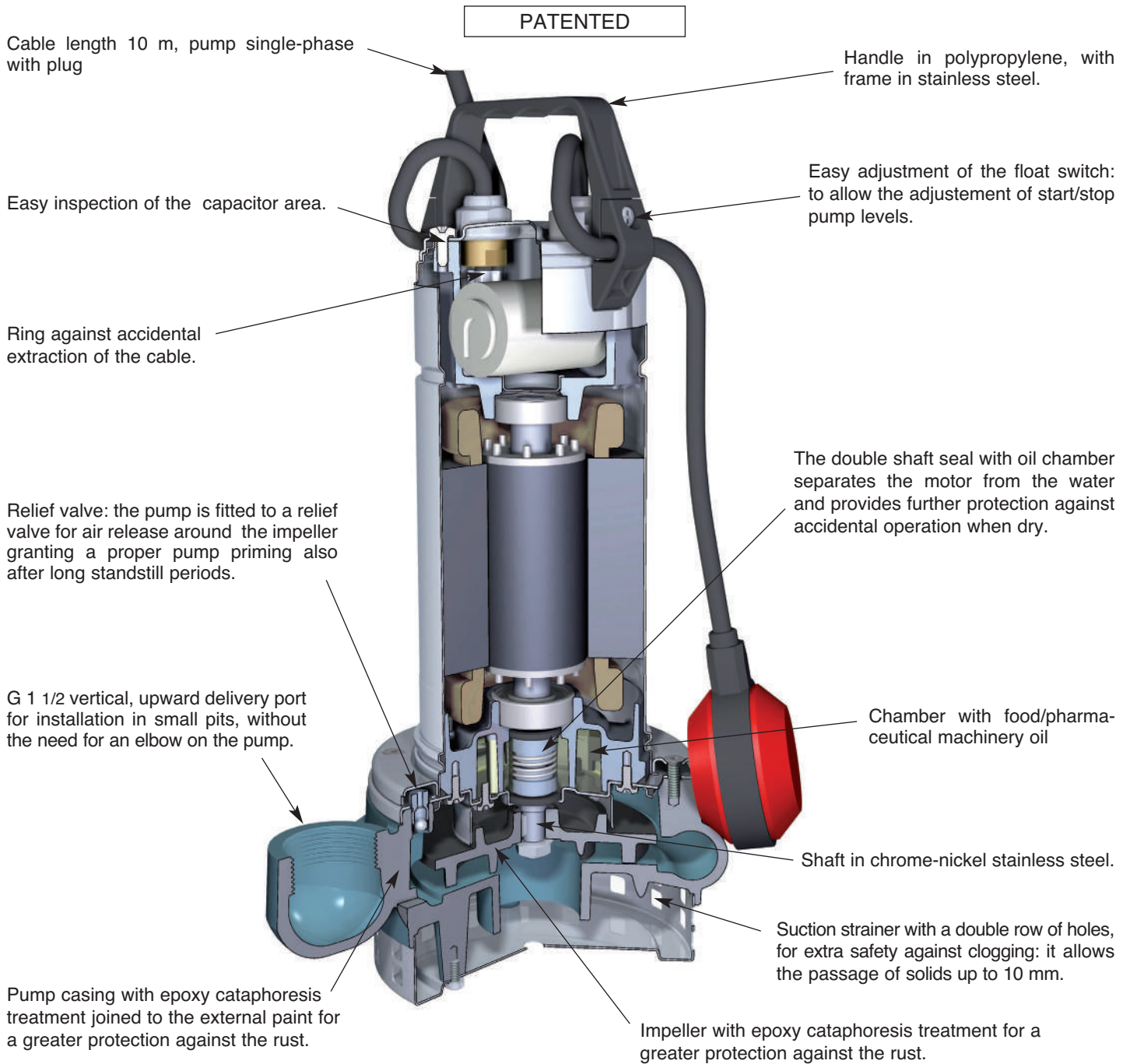


TYPE	mm	
	h min	h max
GQRM 10-10 GF	225	315
GQRM 10-12 GF	240	330
GQRM 10-14 GF	240	330
GQRM 10-16 GF	265	355
GQRM 10-18 GF	285	375

### Installation examples

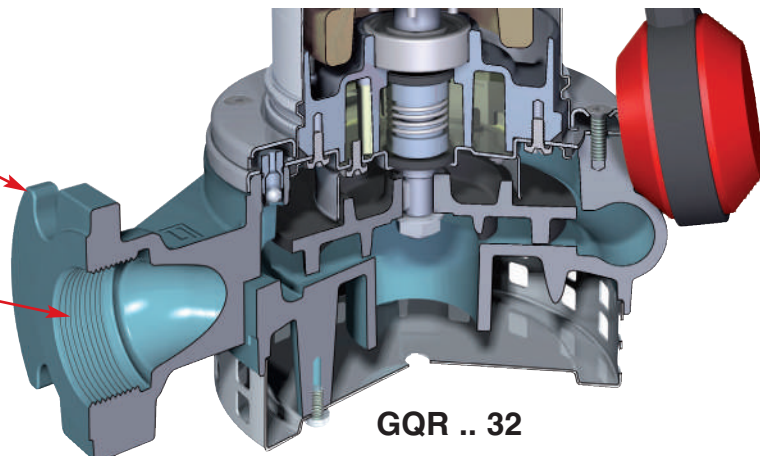


### Features



Maximum flexibility of connection:

- Flange DN 32 PN 6 EN 1092-2 for duck foot coupling SA-G2"
- G1 1/2 ISO 228



**GQR .. 32**

# GXC, GXV

Submersible Sewage and Drainage Pumps



PATENTED



### Construction

Single-impeller submersible pumps in chrome-nickel stainless steel, with vertical delivery port.  
**GXC:** with two-passage impeller.  
**GXV:** with free-flow (vortex) impeller.  
 Double shaft seal with interposed oil chamber.

### Applications

For clean and dirty water, also containing solids up to 35 mm grain size.  
 The GXV free-flow impeller construction is particularly suitable for liquids with a high solid content or with filamentous particles. This construction (with smooth surfaces in rolled-stainless steel and easy access for cleaning) is also suitable for certain uses in the food industry.

### Operating conditions

Liquid temperature up to 35 °C.  
 Minimum immersion depth: 250 mm.  
 Maximum immersion depth: 5 m.  
 Continuous duty (with submerged motor).

### Motor

2-pole induction motor, 50 Hz ( $n \approx 2900$  rpm).  
**GXC, GXV:** three-phase 230 V  $\pm 10\%$ ;  
 three-phase 400 V  $\pm 10\%$ ;  
 Cable: H07RN-F, 4G1 mm<sup>2</sup>, length 10 m, without plug.  
**GXCM, GXVM:** single-phase 230 V  $\pm 10\%$ ,  
 with float switch and thermal protector.  
 Incorporated capacitor.  
 Cable: H07RN-F, 3G1 mm<sup>2</sup>, length 10 m, with plug CEI-UNEL 47166.  
 Insulation class F.  
 Protection IP X8 (for continuous immersion)  
 Triple impregnation humidity-proof dry winding.  
 Constructed in accordance with: EN 60034-1;  
 EN 60335-1, EN 60335-2-41.

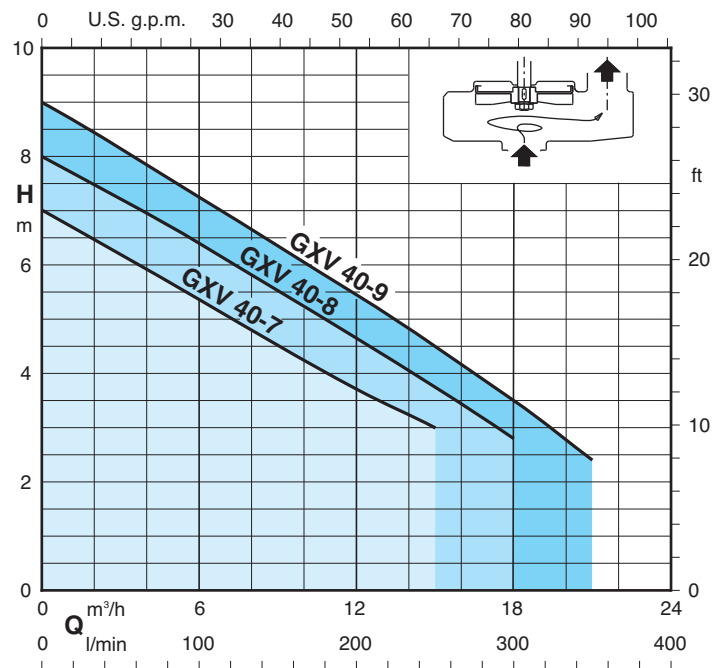
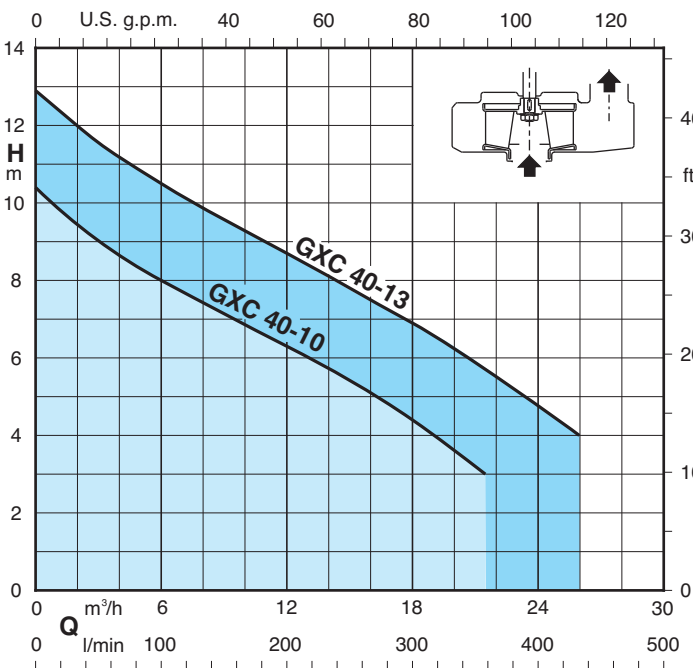
### Materials

Component	Material
Pump casing	Chrome-nickel steel 1.4301 EN 10088 (AISI 304)
Casing cover	
Impeller	
Motor jacket	
Jacket cover	
Handle	Polypropylene (with frame in AISI 304)
Shaft	Chrome-nickel steel 1.4301 EN 10088 (AISI 304)
Mechanical seal: upper lower	Ceramic alumina/Carbon/NBR
Seal lubrication oil	Oil for food/pharmaceutical machinery

### Other features on request

- Other voltages. - Frequency 60 Hz (as per 60 Hz data sheet).
- Other mechanical seal. - Cable length 20 m.
- Motor suitable for operation with frequency converter.
- Three-phase pumps with incorporated float switch.

### Characteristic curves $n \approx 2900$ rpm



72.918-N

### Performance $n \approx 2900$ rpm

3~	230V 400V		1~	230V Capacitor			P <sub>1</sub>			P <sub>2</sub>			Q									
	A	A		A	$\mu$ f	Vc	kW	kW	HP	m <sup>3</sup> /h	l/min	0		3	6	9	12	15	18	21	24	26
<b>GXC 40-10</b>	2,8	1,6	<b>GXCM 40-10</b>	4,6	16	450	1	0,55	0,75	H <sub>m</sub>	10,4	9	8	7,1	6,3	5,4	4,4	3,2	-	-		
<b>GXC 40-13</b>	4	2,3	<b>GXCM 40-13</b>	6,6	25	450	1,45	0,9	1,2		12,9	11,6	10,5	9,5	8,7	7,8	6,9	5,9	4,7	4		

3~	230V 400V		1~	230V Capacitor			P <sub>1</sub>			P <sub>2</sub>			Q									
	A	A		A	$\mu$ f	Vc	kW	kW	HP	m <sup>3</sup> /h	l/min	0		3	6	9	12	15	18	21	24	26
<b>GXV 40-7</b>	2,8	1,6	<b>GXVM 40-7</b>	4,6	16	450	1	0,55	0,75	H <sub>m</sub>	7	6,2	5,4	4,6	3,7	3	-	-	-	-		
<b>GXV 40-8</b>	3,8	2,2	<b>GXVM 40-8</b>	5,4	25	450	1,1	0,75	1		8	7,2	6,4	5,5	4,6	3,7	2,8	-	-	-		
<b>GXV 40-9</b>	4	2,3	<b>GXVM 40-9</b>	6	25	450	1,3	0,9	1,2		9	8,1	7,2	6,3	5,4	4,5	3,5	2,4	-	-		

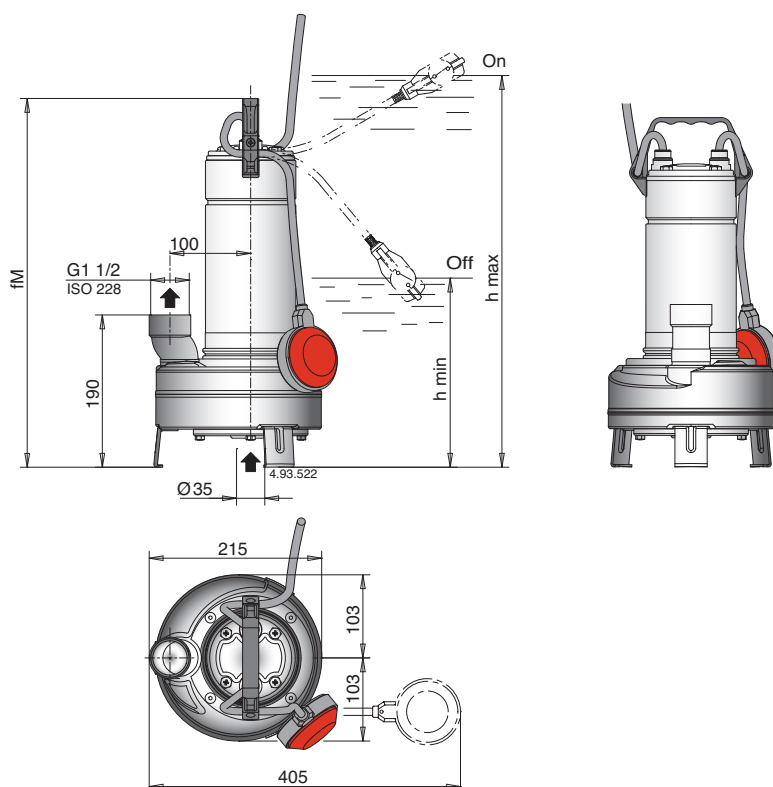
P<sub>1</sub> Max. power input.

P<sub>2</sub> Rated motor power output.

Density  $\rho = 1000$  kg/m<sup>3</sup>.

Kinematic viscosity  $\nu = \max 20$  mm<sup>2</sup>/sec.

### Dimensions and weights



TYPE	mm			kg <sup>(1)</sup>	
	fM	h max	h min	GXV	GXVM
<b>GXV(M) 40-7</b>	433	508	248	10,1	11,7
<b>GXV(M) 40-8</b>	458	533	273	11,7	13,2
<b>GXV(M) 40-9</b>	458	533	273	11,7	13,2

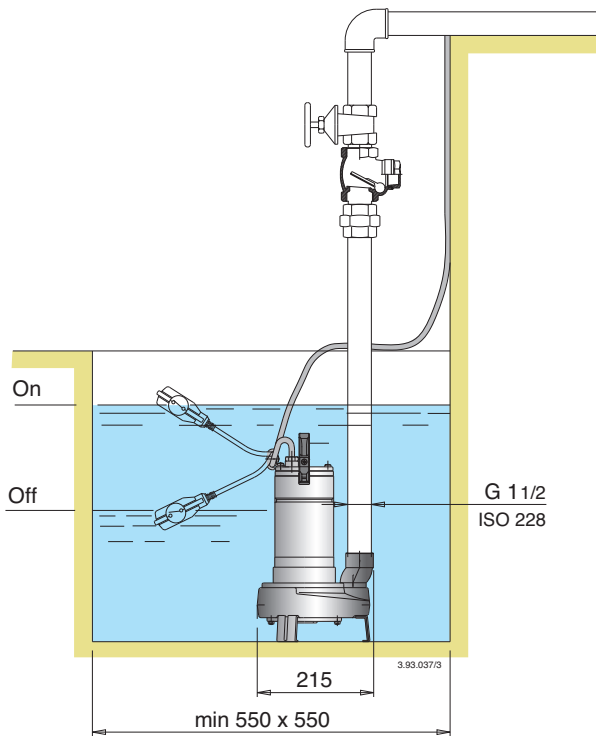
TYPE	mm			kg <sup>(1)</sup>	
	fM	h max	h min	GXC	GXCM
<b>GXC(M) 40-10</b>	433	508	248	10,1	11,7
<b>GXC(M) 40-13</b>	458	533	273	11,7	13,2

1) With cable length: 10 m

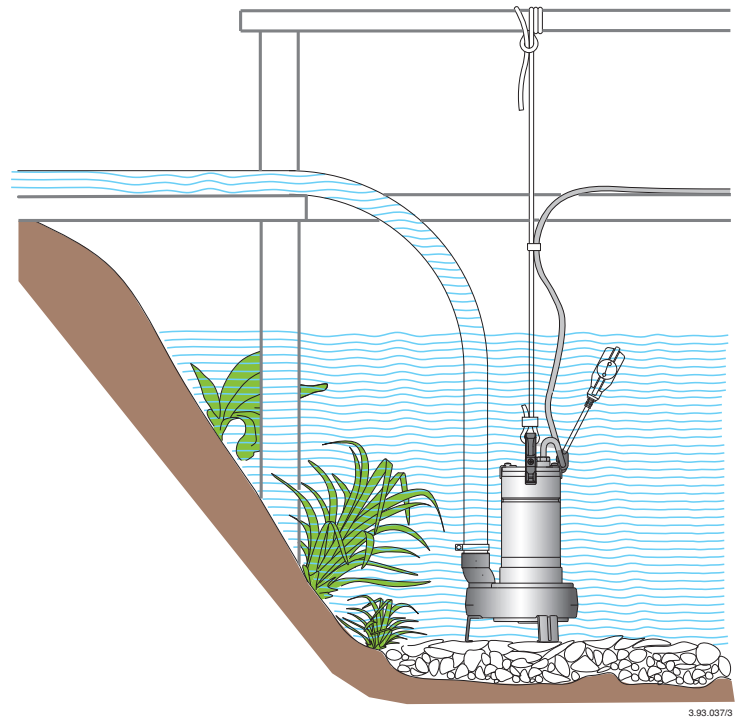


### Installation examples

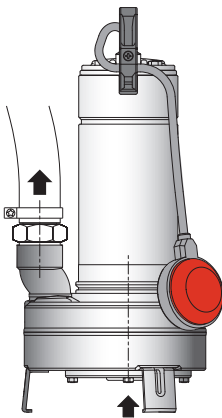
#### Stationary installation



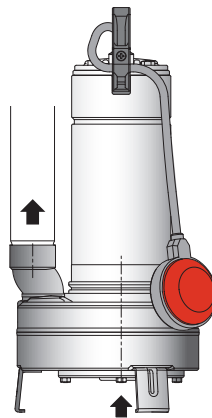
#### Transportable installation



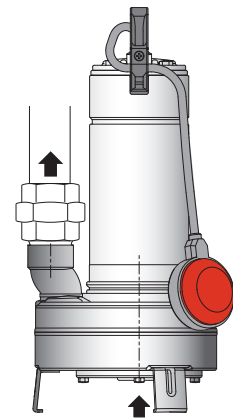
### Connection examples



Pump with hosetail seat and clamp  
(locally available)



Pump with pipe screwed into the delivery port



Pump with pipe and union  
(locally available)

### Features

PATENTED

Cable length 10 m, pump single-phase with plug

Handle in polypropylene, with frame in stainless steel.

Easy inspection of the capacitor area.

Easy adjustment of the float switch: to allow the adjustment of start/stop pump levels.

Ring against accidental extraction of the cable.

The double shaft seal with oil chamber separates the motor from the water and provides further protection against accidental operation when dry.

G 1 1/2 vertical, upward delivery port for installation in small pits, without the need for an elbow on the pump.

Totally in stainless steel  
All parts in contact with the pumped liquid both internal and external are in stainless steel AISI 304

Chamber with food/pharmaceutical machinery oil.

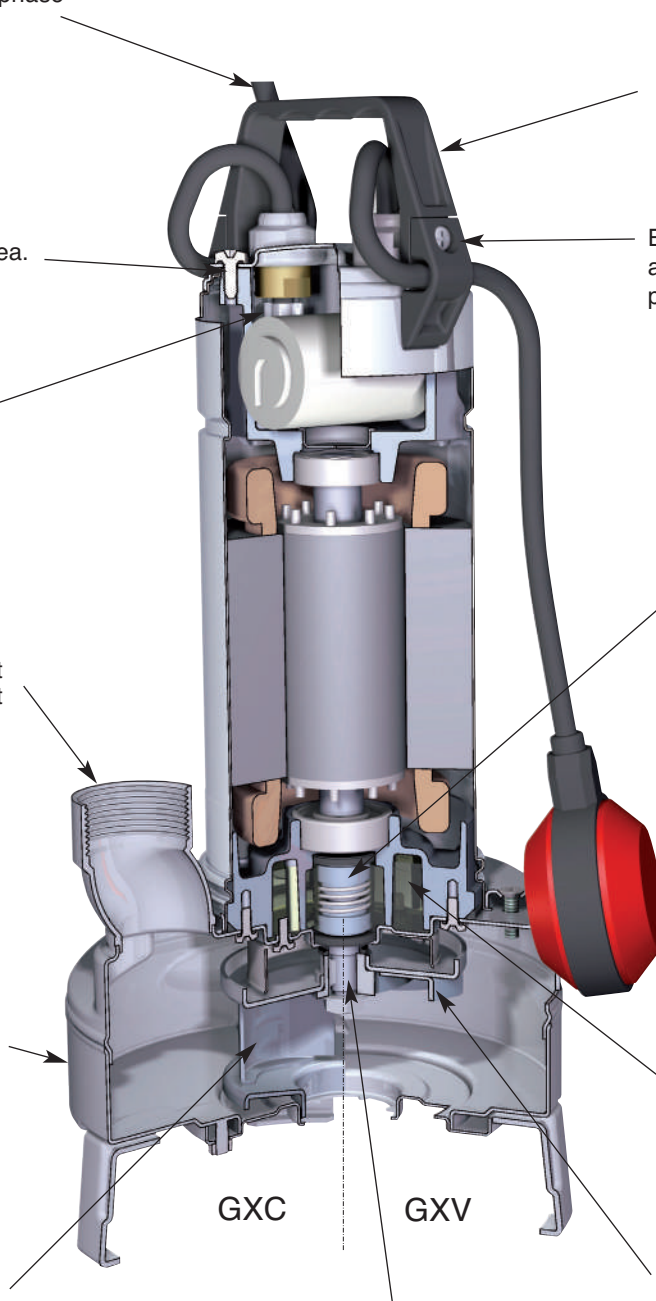
GXC

GXV

**GXC** The two-passage impeller construction is particularly suitable for liquids containing solids up to 35 mm grain size.

Shaft in chrome-nickel stainless steel.

**GXV** The free-flow impeller (vortex) construction is particularly suitable for liquids with a high solid content up to 35 mm grain size or with filamentous particles.



# GQS 40

## Submersible Sewage and Drainage Pumps



PATENTED



### Construction

Single-impeller submersible pumps, with free-flow (vortex) impeller with vertical threaded delivery port. Double mechanical shaft seal with interposed oil chamber, to protect against dry-running.

### Applications

For domestic or industrial waste water, dirty water with solids up to 40 mm grain size, for liquids which are compatible with the pump materials. For draining rooms or emptying tanks. Extraction of water from ponds, streams or pits and for rainwater collection.

### Operating conditions

Liquid temperature up to 35° C.  
pH value: 6-11.  
Maximum immersion depth: 5 m.  
Minimum immersion depth: 200 mm.  
Continuous duty (with submerged motor).

### Motor

2-pole induction motor, 50 Hz (n ≈ 2900 rpm).  
**GQS:** three-phase 230 V ± 10%;  
three-phase 400 V ± 10%;  
Cable: H07RN-F, 4G1 mm<sup>2</sup>, length 10 m, without plug.  
**GQSM:** single-phase 230 V ± 10%,  
with float switch and thermal protector.  
Incorporated capacitor.  
Cable: H07RN-F, 3G1 mm<sup>2</sup>, length 10 m, with plug  
CEI-UNEL 47166.

Insulation class F.  
Protection IP X8 (for continuous immersion)  
Double impregnation humidity-proof dry winding.  
Constructed in accordance with: EN 60034-1;  
EN 60335-1, EN 60335-2-41.

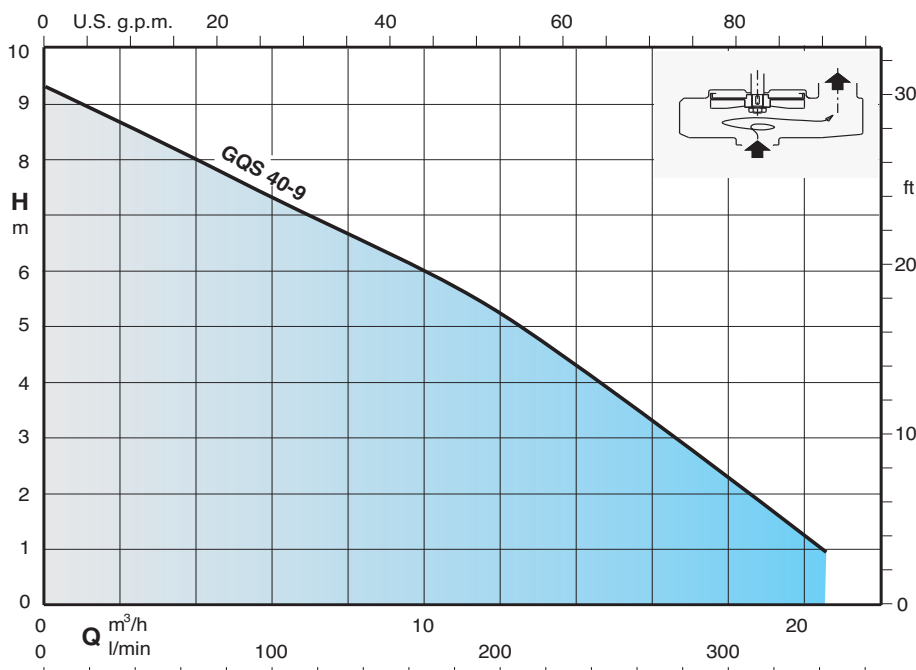
### Other features on request

- Other voltages.
- Frequency 60 Hz (as per 60 Hz data sheet).
- Other mechanical seal.
- Cable length 20 m.
- Motor suitable for operation with frequency converter.
- Three-phase pumps with incorporated float switch.

### Materials

Component	Material
Pump casing	Cast iron GJL 200 EN 1561
Impeller	Chrome-nickel steel 1.4301 EN 10088 (AISI 304)
Motor jacket	
Jacket cover	
Handle	Polypropylene (with frame in AISI 304)
Shaft	Chrome-nickel steel 1.4305 EN 10088 (AISI 303)
Mechanical seal	Ceramic alumina/Carbon/NBR
Seal lubrication oil	Oil for food/pharmaceutical machinery

### Characteristic curves n ≈ 2900 rpm



### Performance $n \approx 2900$ rpm

3~	230V 400V		1~	230V Capacitor			P <sub>1</sub>			P <sub>2</sub>			Q										
	A	A		A	$\mu$ f	Vc	kW	kW	HP	m <sup>3</sup> /h	l/min	0		1,5	3	6	9	12	15	18	21	24	27
<b>GQS 40-9</b>	2,8	1,6	<b>GQSM 40-9</b>	4,5	20	450	0,95	0,45	0,6	<b>H</b>	9,3	8,8	8,3	7,3	6,3	5,2	3,8	2,3	0,9	-	-	-	-

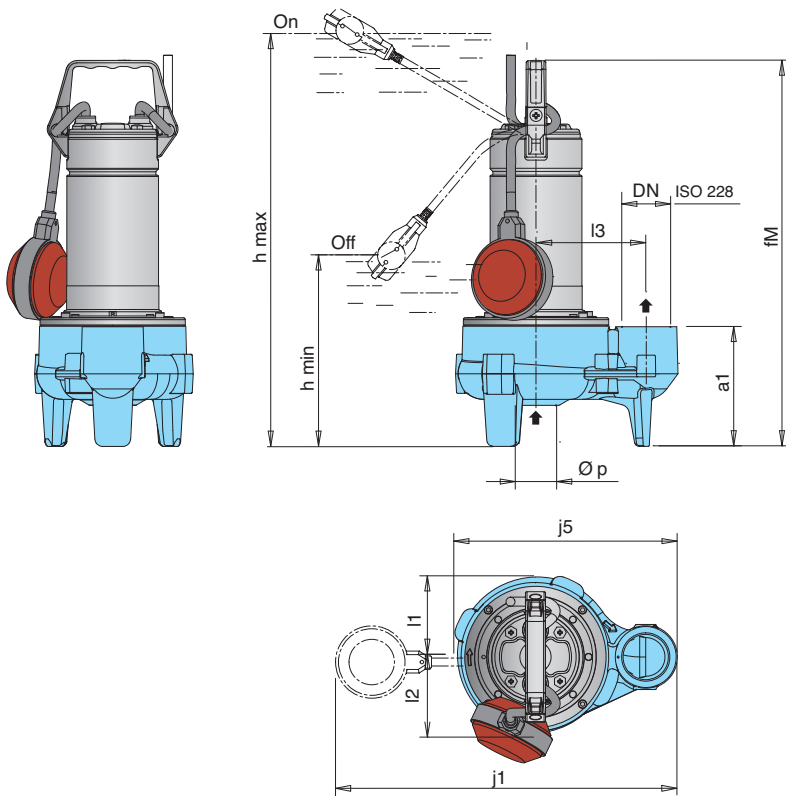
P<sub>1</sub> Max. power input.

P<sub>2</sub> Rated motor power output.

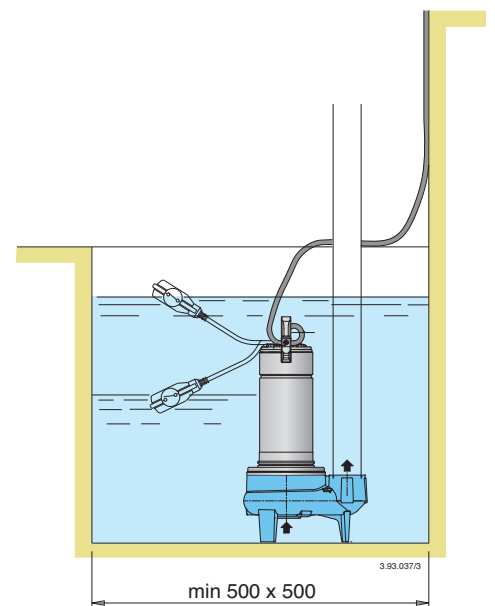
Density  $\rho = 1000$  kg/m<sup>3</sup>.

Kinematic viscosity  $\nu = \max 20$  mm<sup>2</sup>/sec.

### Dimensions and weights



### Installation examples



TYPE	DN	mm										kg <sup>(1)</sup>	
		a1	fM	l1	l2	l3	j5	Ø p	j1	h max	h min	GQS	GQSM
<b>GQS(M) 40-9</b>	G 1 1/2	120	385	78	81	110	222	40	410	460	200	10,5	10,5

<sup>1)</sup> With cable length: 10 m

# GQS, GQV Submersible Sewage and Drainage Pumps



PATENTED



### Construction

Single-impeller submersible pumps, with free-flow (vortex) impeller.  
**GQS:** with vertical threaded delivery port (G 2").  
**GQV:** with horizontal flanged and threaded delivery port (DN 50 - G 2").

Double mechanical shaft seal with interposed oil chamber, to protect against dry-running.

### Applications

For domestic or industrial waste water, dirty water with solids up to 50 mm grain size, for liquids which are compatible with the pump materials.

For draining rooms or emptying tanks.

Extraction of water from ponds, streams or pits and for rainwater collection.

### Operating conditions

Liquid temperature up to 35° C.

pH value: 6-11.

Maximum immersion depth: 5 m.

Minimum immersion depth: 275 mm.

Continuous duty (with submerged motor).

### Motor

2-pole induction motor, 50 Hz (n ≈ 2900 rpm).

**GQV, GQS:** three-phase 230 V ± 10%;

three-phase 400 V ± 10%;

Cable: H07RN-F, 4G1 mm<sup>2</sup>, length 10 m, without plug.

**GQVM, GQSM:** single-phase 230 V ± 10%,

with float switch and thermal protector.

Incorporated capacitor.

Cable: H07RN-F, 3G1 mm<sup>2</sup>, length 10 m, with plug CEI-UNEL 47166.

Insulation class F.

Protection IP X8 (for continuous immersion)

Triple impregnation humidity-proof dry winding.

Constructed in accordance with: EN 60034-1;

EN 60335-1, EN 60335-2-41.

### Materials

Component	Material
Pump casing Impeller	Cast iron GJL 200 EN 1561
Motor jacket Jacket cover Casing cover	Chrome-nickel steel 1.4301 EN 10088 (AISI 304)
Handle	Polypropylene (with frame in AISI 304)
Shaft	Chrome-nickel steel 1.4301 EN 10088 (AISI 304)
Mechanical seal: upper lower	Ceramic alumina/Carbon/NBR
Seal lubrication oil	Oil for food/pharmaceutical machinery

### Other features on request

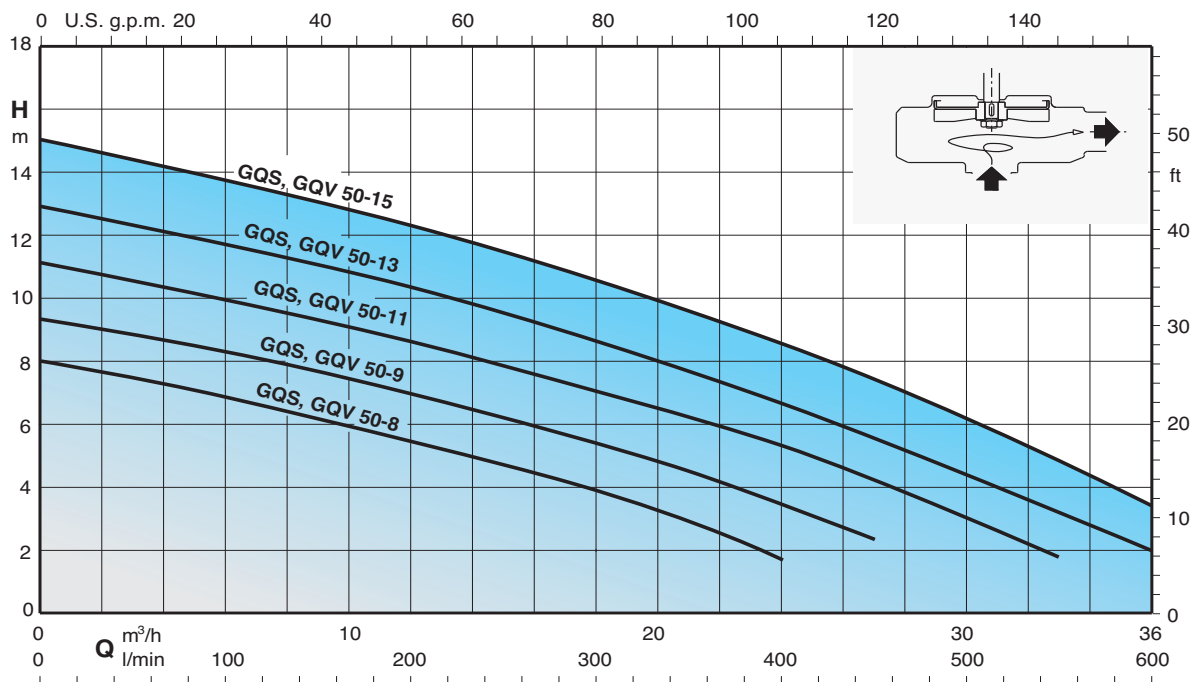
- Other voltages. - Frequency 60 Hz (as per 60 Hz data sheet).

- Other mechanical seal. - Cable length 20 m.

- Motor suitable for operation with frequency converter.

- Three-phase pumps with incorporated float switch.

### Characteristic curves n ≈ 2900 rpm



## Performance $n \approx 2900$ rpm

3~	230V 400V		1~	230V Capacitor			P1			P2			Q	H <sub>m</sub>											
	A	A		A	µf	Vc	kW	kW	HP	m <sup>3</sup> /h	l/min	0		3	6	9	12	15	18	21	24	27	30	33	36
GQS 50-8 GQV 50-8	2,6	1,5	GQSM 50-8 GQVM 50-8	4,3	16	450	0,95	0,55	0,75	8	7,4	6,9	6,3	5,6	4,8	4	3	1,8	-	-	-	-	-	-	
GQS 50-9 GQV 50-9	3,1	1,8	GQSM 50-9 GQVM 50-9	4,8	16	450	1,1	0,75	1	9,3	8,8	8,3	7,7	7	6,2	5,3	4,3	3,2	2,2	-	-	-	-		
GQS 50-11 GQV 50-11	4	2,3	GQSM 50-11 GQVM 50-11	6,6	25	450	1,45	0,9	1,2	11	10,5	10	9,3	8,6	7,8	7	6,2	5,2	4,2	3	1,8	-	-		
GQS 50-13 GQV 50-13	5,2	3	GQSM 50-13 GQVM 50-13	8,4	30	450	1,8	1,1	1,5	12,8	12,2	11,6	11	10,3	9,5	8,6	7,7	6,7	5,7	4,5	3,3	2	-		
GQS 50-15 GQV 50-15	6,9	4	GQSM 50-15 GQVM 50-15	13	35	450	2,2	1,5	2	15	14,4	13,7	13	12,2	11,3	10,4	9,5	8,5	7,4	6,2	4,8	3,5	-		

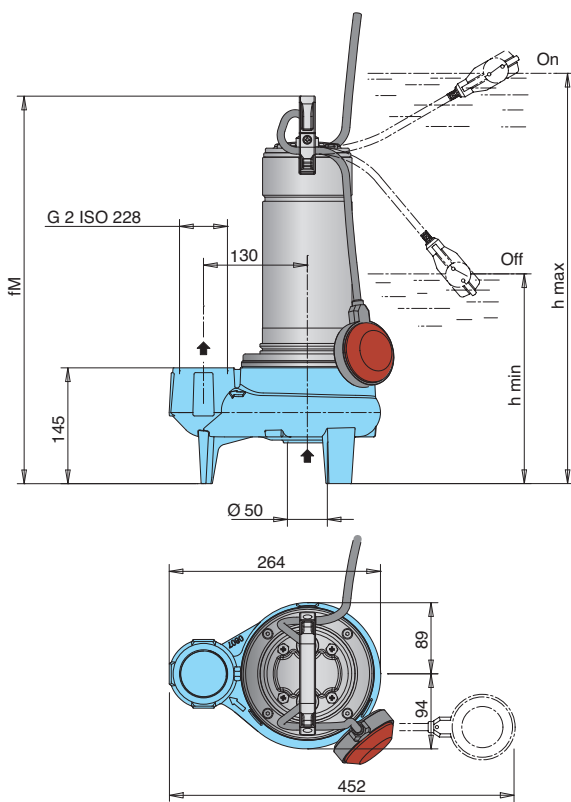
P1 Max. power input.

P2 Rated motor power output.

Density  $\rho = 1000$  kg/m<sup>3</sup>.

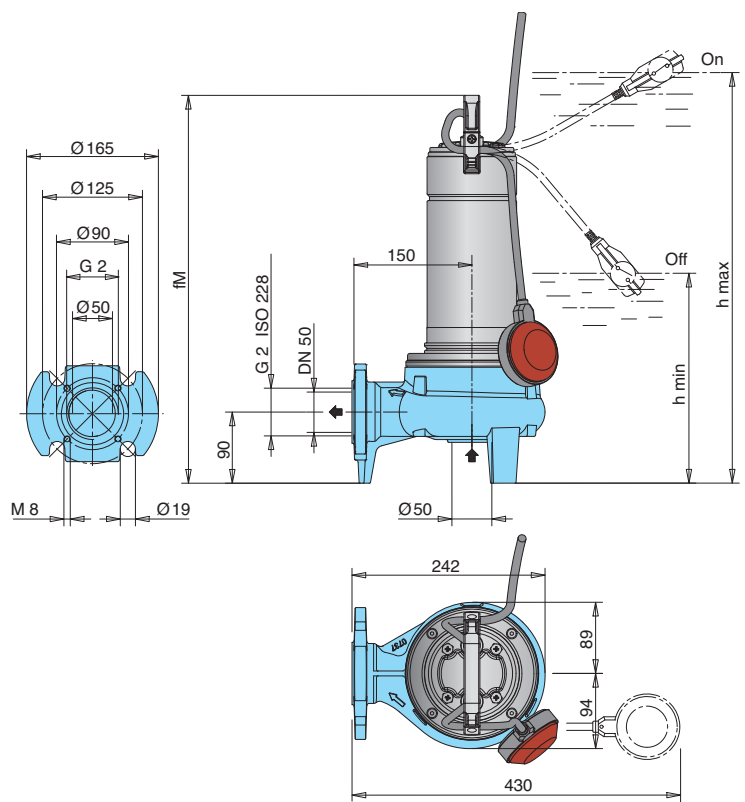
Kinematic viscosity  $\nu = \max 20$  mm<sup>2</sup>/sec.

## Dimensions and weights



TYPE	mm			kg <sup>(1)</sup>	
	fM	h max	h min	GQS	GQSM
GQS(M) 50-8	460	535	275	14,8	15,8
GQS(M) 50-9	460	535	275	15	16
GQS(M) 50-11	485	560	300	15,8	17,8
GQS(M) 50-13	505	580	320	18,8	20,3
GQS 50-15	505	580	320	20,3	-
GQSM 50-15	535	610	350	-	21,8

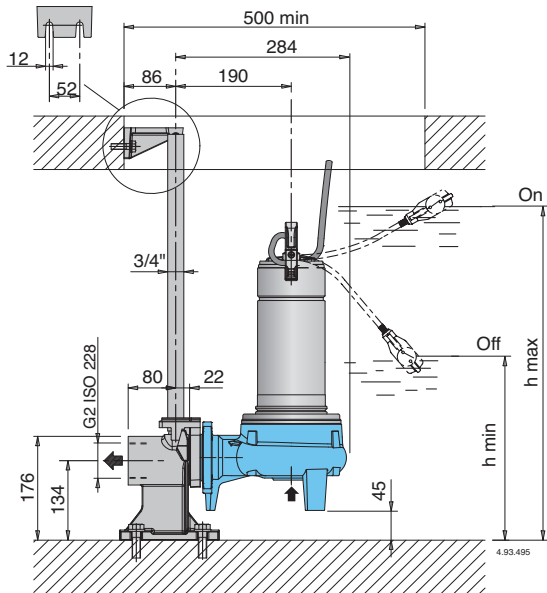
<sup>1)</sup> With cable length: 10 m



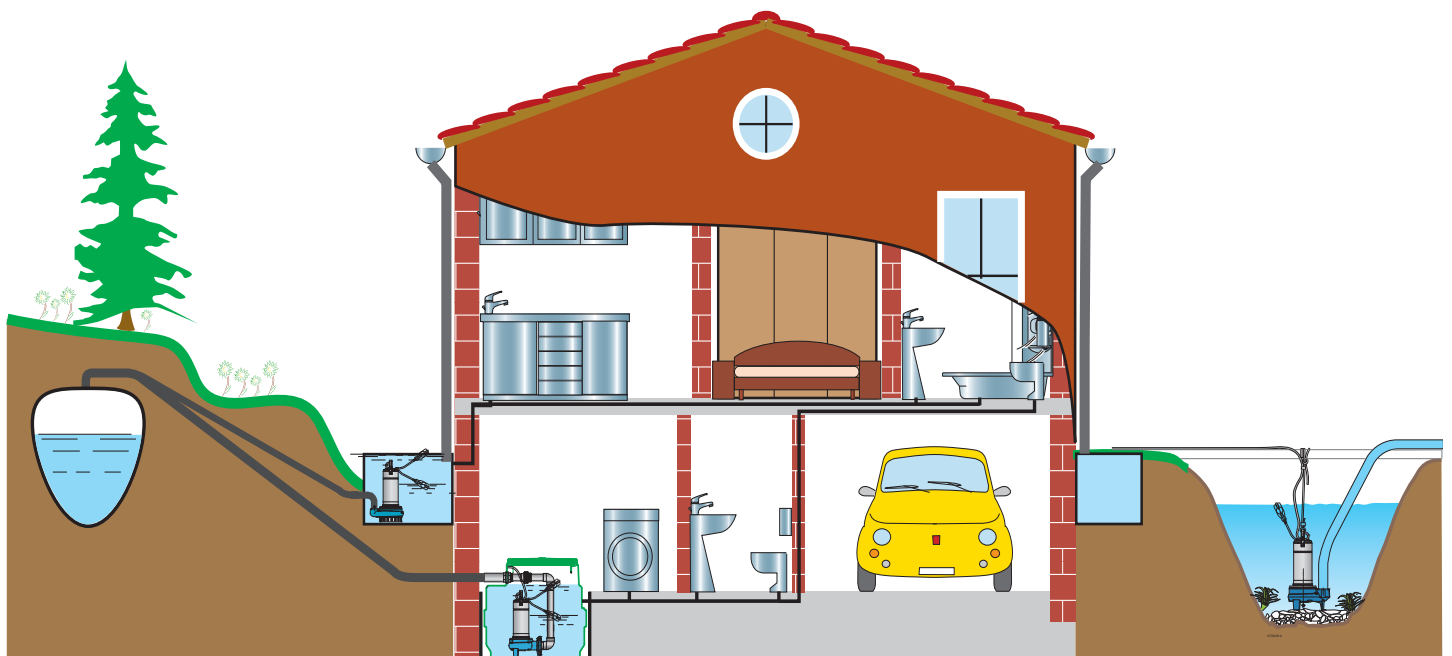
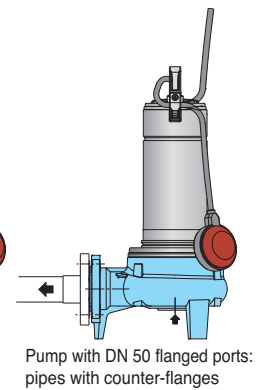
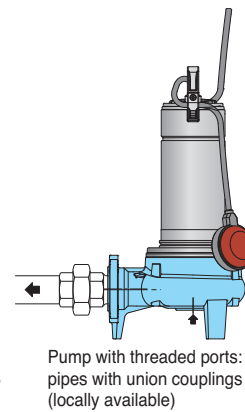
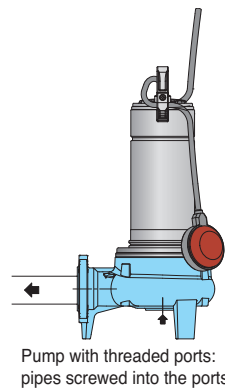
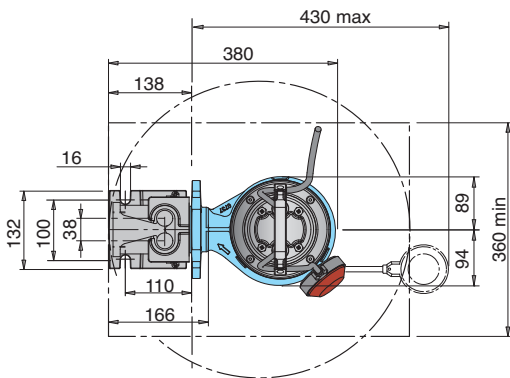
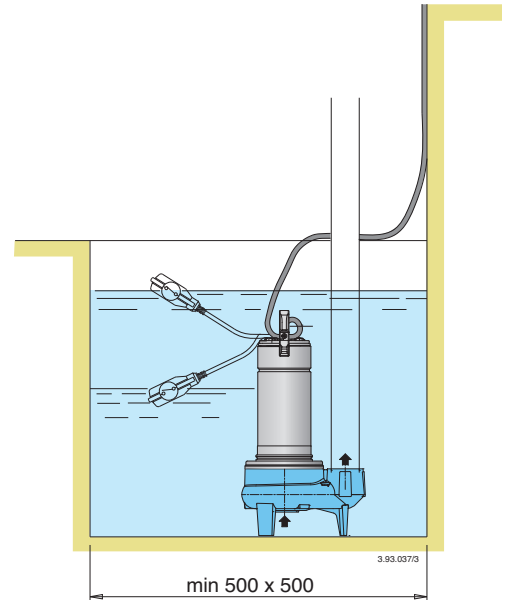
TYPE	mm			kg <sup>(1)</sup>	
	fM	h max	h min	GQV	GQVM
GQV(M) 50-8	460	535	275	15	16
GQV(M) 50-9	460	535	275	15,2	16,2
GQV(M) 50-11	485	560	300	16	18
GQV(M) 50-13	505	580	320	19	20,5
GQV 50-15	505	580	320	20,5	-
GQVM 50-15	535	610	350	-	22

<sup>1)</sup> With cable length: 10 m

## Installation examples



TYPE	mm	
	h max	h min
GQV(M) 50-8	580	320
GQV(M) 50-9	580	320
GQV(M) 50-11	605	345
GQV(M) 50-13	625	365
GQV 50-15	625	365
GQVM 50-15	655	395



### Features

Cable length 10 m, pump single-phase with plug

PATENTED

Handle in polypropylene, with frame in stainless steel.

Easy inspection of the capacitor area.

Easy adjustment of the float switch: to allow the adjustment of start/stop pump levels.

Ring against accidental extraction of the cable.

The double shaft seal with oil chamber separates the motor from the water and provides further protection against accidental operation when dry.

Relief valve: the pump is fitted to a relief valve for air release around the impeller granting a proper pump priming also after long standstill periods.

Chamber with food/pharmaceutical machinery oil

Maximum flexibility of connection:

- Flange DN 50 PN 10 EN 1092-2
- N. 4 M8 holes on Ø 90 for duck foot coupling SA-G2"
- G 2 ISO 228

Impeller with epoxy cataphoresis treatment for a greater protection against the rust.

Shaft in chrome-nickel stainless steel.

Pump casing with epoxy cataphoresis treatment joined to the external paint for a greater protection against the rust.

The free-flow impeller (vortex) construction is particularly suitable for liquids containing solids up to 50 mm grain size.

GQV

G 2 vertical, upward delivery port for installation in small pits, without the need for an elbow on the pump.

GQS



PATENTED



### Construction

Single-impeller submersible pumps, (with two-passage) with channels impeller with vertical threaded delivery port (G 2"). Double mechanical shaft seal with interposed oil chamber, to protect against dry-running.

### Applications

For domestic or industrial waste water, dirty water with solids up to 50 mm grain size, for liquids which are compatible with the pump materials.

For draining rooms or emptying tanks.

Extraction of water from ponds, streams or pits and for rainwater collection.

### Operating conditions

Liquid temperature up to 35° C.

pH value: 6-11.

Maximum immersion depth: 5 m.

Minimum immersion depth: 275 mm.

Continuous duty (with submerged motor).

### Motor

2-pole induction motor, 50 Hz (n ≈ 2900 rpm).

**GQN** : three-phase 230 V ± 10%;

three-phase 400 V ± 10%;

Cable: H07RN-F, 4G1 mm<sup>2</sup>, length 10 m, without plug.

**GQNM**: single-phase 230 V ± 10%,

with float switch and thermal protector.

Incorporated capacitor.

Cable: H07RN-F, 3G1 mm<sup>2</sup>, length 10 m, with plug

CEI-UNEL 47166.

Insulation class F.

Protection IP X8 (for continuous immersion)

Triple impregnation humidity-proof dry winding.

Constructed in accordance with: EN 60034-1; EN 60335-1, EN 60335-2-41.

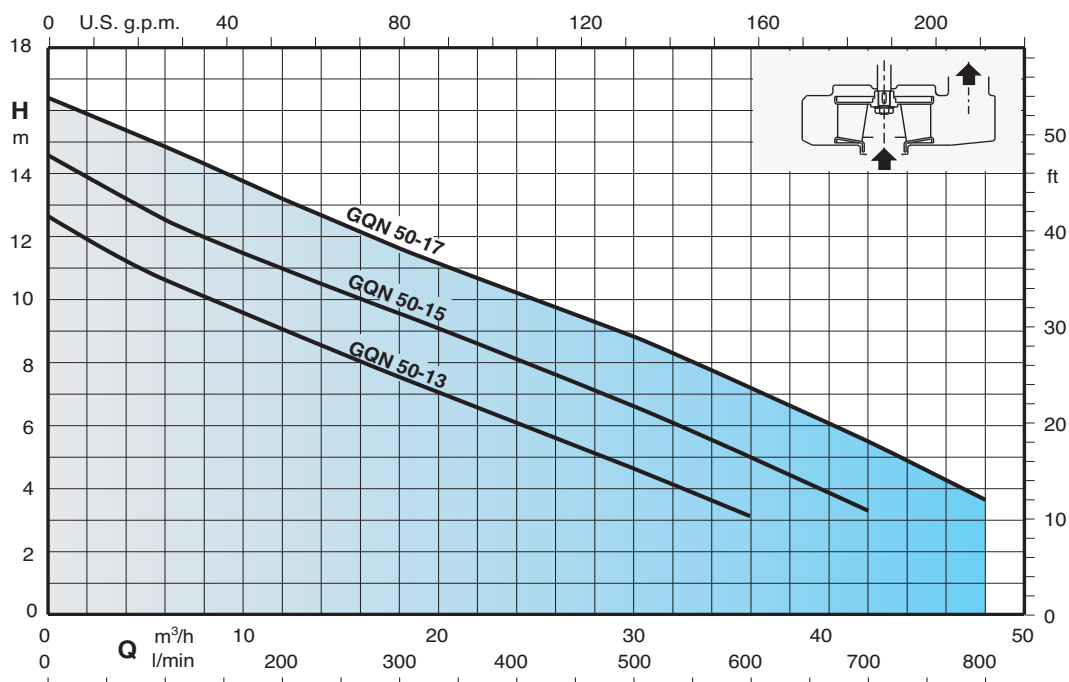
### Materials

Component	Material
Pump casing Impeller	Cast iron GJL 200 EN 1561
Motor jacket Jacket cover Casing cover	Chrome-nickel steel 1.4301 EN 10088 (AISI 304)
Handle	Polypropylene (with frame in AISI 304)
Shaft	Chrome-nickel steel 1.4301 EN 10088 (AISI 304)
Mechanical seal: upper lower	Ceramic alumina/Carbon/NBR
Seal lubrication oil	Oil for food/pharmaceutical machinery

### Other features on request

- Other voltages.
- Frequency 60 Hz (as per 60 Hz data sheet).
- Other mechanical seal.
- Cable length 20 m.
- Motor suitable for operation with frequency converter.
- Three-phase pumps with incorporated float switch.

### Characteristic curves n ≈ 2900 rpm



### Performance $n \approx 2900$ rpm

3~	230V 400V		1~	230V			Capacitor $\rho_1$			P <sub>2</sub>		Q	H m								
	A	A		A	$\mu$ f	V <sub>c</sub>	kW	kW	HP	m <sup>3</sup> /h	l/min		0	3	6	12	18	24	30	36	42
<b>GQN 50-13</b>	4	2,3	<b>GQNM 50-13</b>	6,6	25	450	1,45	0,9	1,2	12,7 14,6 16,4 11,6 13,5 15,7 10,6 12,6 14,9 8,9 10,9 13,2 7,7 9,6 11,7 6,3 8,3 10,3 4,7 6,7 8,9 3,1 5 7,3 - 3,2 5,5 - - 3,6	0	3	6	12	18	24	30	36	42	48	
<b>GQN 50-15</b>	5,8	3,3	<b>GQNM 50-15</b>	8,4	30	450	1,8	1,1	1,5		0	50	100	200	300	400	500	600	700	800	
<b>GQN 50-17</b>	7,8	4,5	<b>GQNM 50-17</b>	12	35	450	2,2	1,5	2		0	50	100	200	300	400	500	600	700	800	

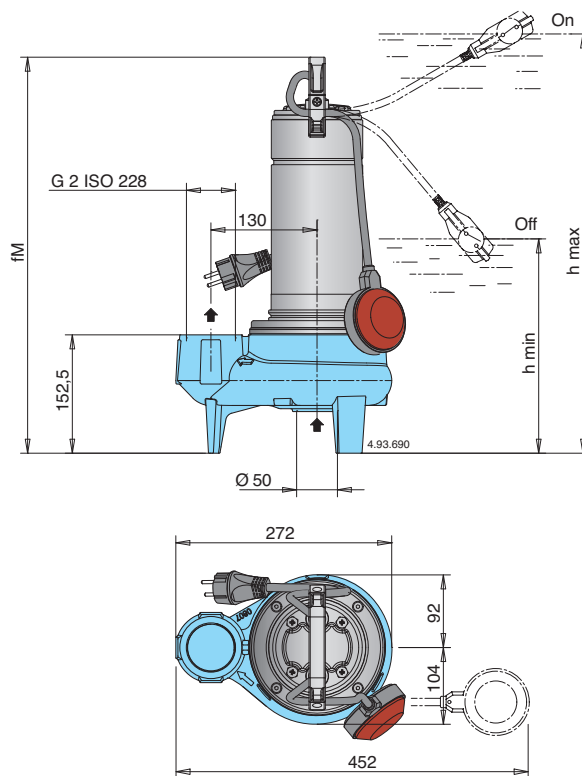
P<sub>1</sub> Max. power input.

P<sub>2</sub> Rated motor power output.

Density  $\rho = 1000$  kg/m<sup>3</sup>.

Kinematic viscosity  $\nu = \max 20$  mm<sup>2</sup>/sec.

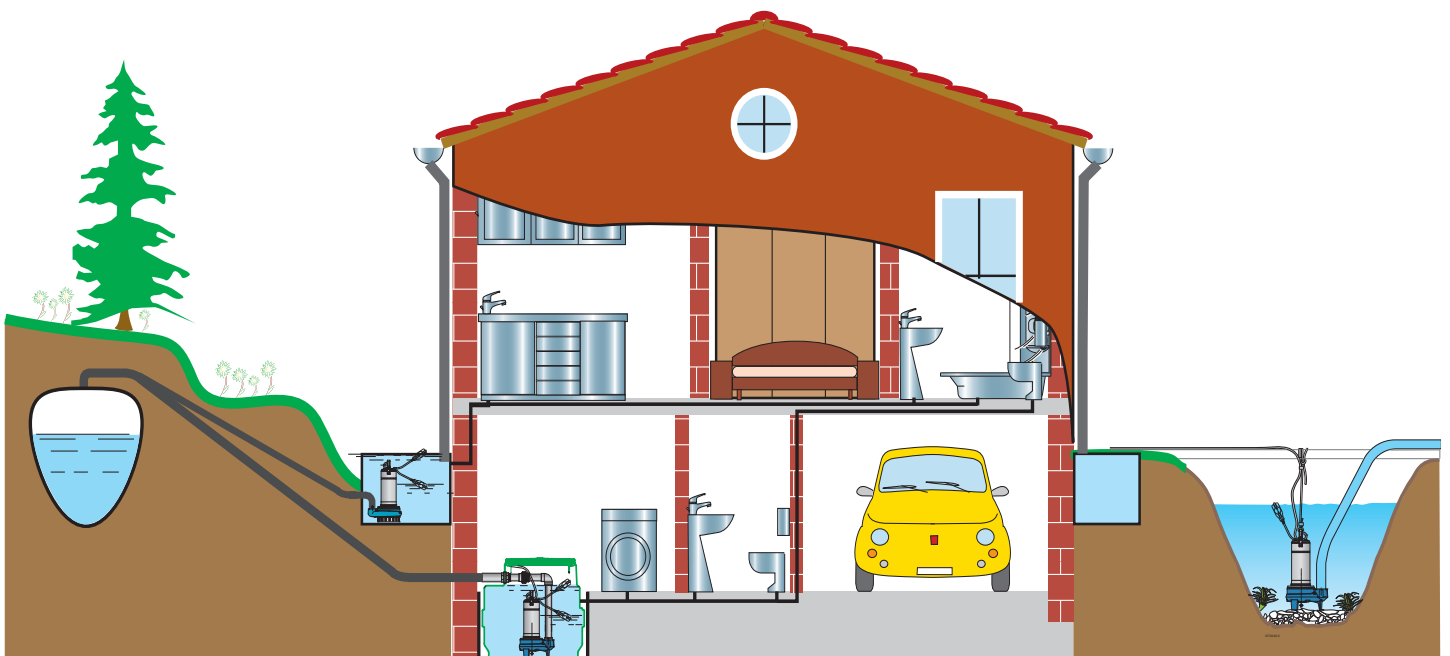
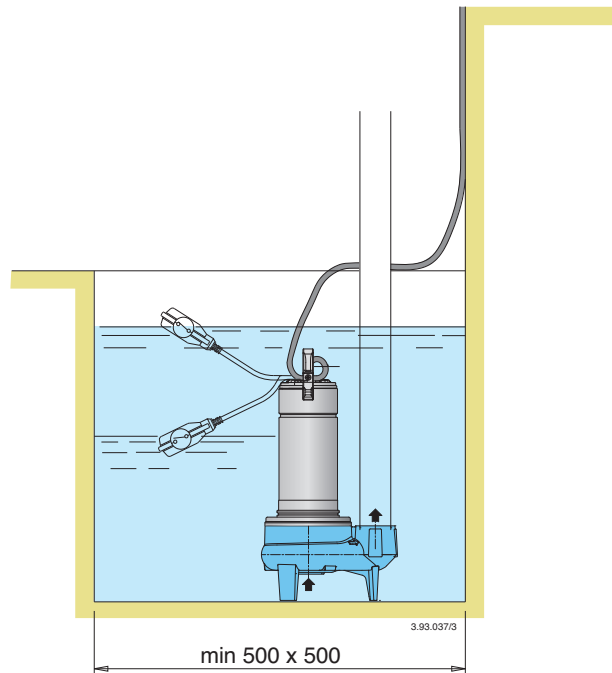
### Dimensions and weights



TYPE	fM	mm		kg <sup>(1)</sup>	
		h max	h min	GQN	GQNM
<b>GQN(M) 50-13</b>	493	568	308	16	18
<b>GQN(M) 50-15</b>	513	588	328	19	20,5
<b>GQN 50-17</b>	513	588	328	20,5	-
<b>GQNM 50-17</b>	543	618	358	-	22

<sup>1)</sup> With cable length: 10 m

### Installation examples



### Features

PATENTED

Cable length 10 m, pump single-phase with plug

Handle in polypropylene, with frame in stainless steel.

Easy inspection of the capacitor area.

Easy adjustment of the float switch: to allow the adjustment of start/stop pump levels.

Ring against accidental extraction of the cable.

The double shaft seal with oil chamber separates the motor from the water and provides further protection against accidental operation when dry.

Relief valve: the pump is fitted to a relief valve for air release around the impeller granting a proper pump priming also after long standstill periods.

Chamber with food/pharmaceutical machinery oil

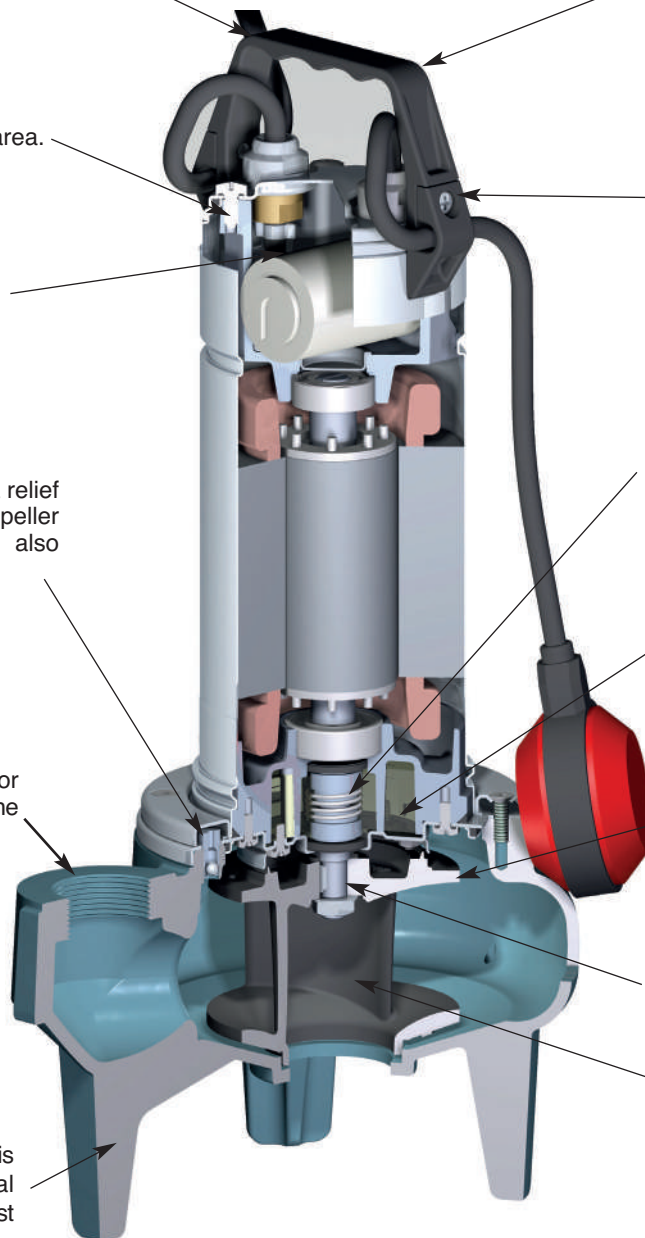
G 2 vertical, upward delivery port for installation in small pits, without the need for an elbow on the pump.

Impeller with epoxy cataphoresis treatment for a greater protection against the rust.

Shaft in chrome-nickel stainless steel.

Pump casing with epoxy cataphoresis treatment joined to the external paint for a greater protection against the rust.

Channels impeller (two-passage). Construction is particularly suitable for liquids containing solids up to 50 mm grain size.



# GMC, GMV

Submersible Sewage and Drainage Pumps



## Construction

Close coupled electric submersible pumps.

**GMC:** with single-channel impeller.

**GMV:** with free-flow (vortex) impeller.

Double mechanical shaft seal with interposed oil chamber, to protect against dry-running.

## Applications

For domestic or industrial waste water, dirty water with solids up to 45 mm grain size for GMC and 50 mm for GMV, for liquids which are compatible with the pump materials.

## Operating conditions

Liquid temperature up to 35 °C.

pH value: 6-11.

Maximum immersion depth: 10 m (with suitable cable length).

Continuous duty (with submerged motor).

## Motor

2-pole induction, 50 Hz ( $n \approx 2900$  rpm).

**GMC, GMV:** three-phase 230 V  $\pm$  10%;  
three-phase 400 V  $\pm$  10%;  
2 built-in thermal protectors to be connected to a control box.

Cable: 4G1,5 mm<sup>2</sup>+ 2x0,5 mm<sup>2</sup>, length 10 m.

**GMC, GMVM:** single-phase 230 V  $\pm$  10%.  
With float switch, built-in thermal protector and built-in capacitor.  
Cable: H07RN8-F, 3G1,5 mm<sup>2</sup>, length 10 m, with plug (CEI - UNEL 47166).

Insulation class F.

Protection IP X8.

Triple impregnation, humidity-proof winding.

Constructed in accordance with: EN 60335-2-41.

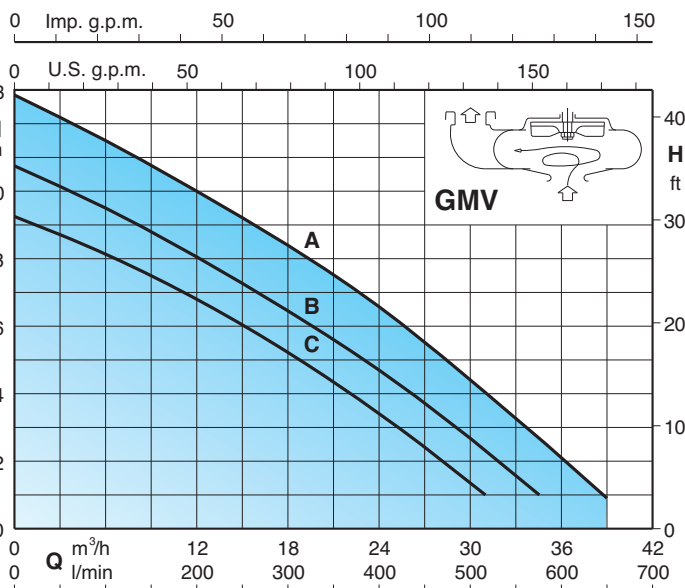
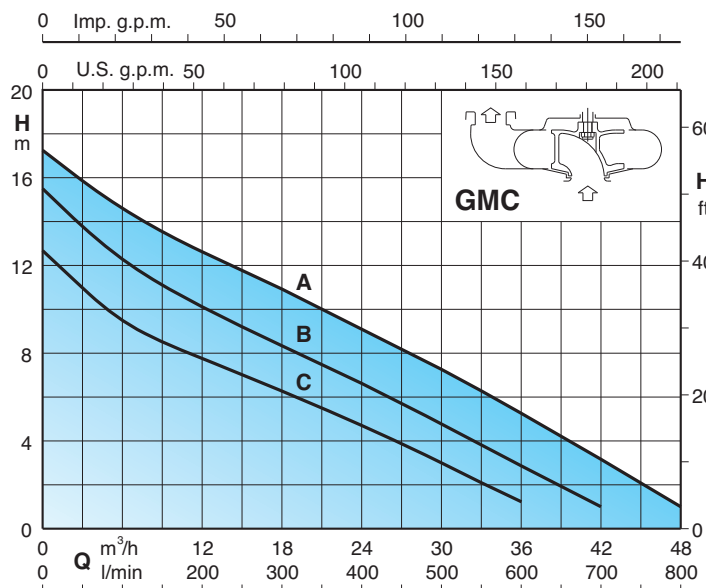
## Other features on request

- Other voltages.
- Frequency 60 Hz (as per 60 Hz data sheet).
- Motor suitable for operation with frequency converter.

## Materials

Component	Material
Pump casing	Cast iron GJL 200 EN 1561
Casing cover	
Impeller	
Motor housing	
Motor cover	
Shaft	Chrome steel 1.4016 EN 10088 (AISI 430)
Mechanical seal: Upper	Carbon, ceramic, NBR
Lower	
Seal lubrication oil	Oil for food machinery and pharmaceutical use

## Characteristic curves $n \approx 2900$ rpm



72.868.C

### Performance $n \approx 2900$ rpm

3~	230 V 400 V		1~	230 V			Capacitor	P <sub>1</sub>			P <sub>2</sub>			Q								
	A	A		A	µf	Vc		kW	kW	HP	m <sup>3</sup> /h	0	6		12	18	24	30	36	42	48	
<b>GMC 50CE</b> <b>GMC 50-65C</b>	3,3	1,9	<b>GMCM 50CE</b> <b>GMCM 50-65C</b>	4,5	16	450	1,1	0,75	1	H m	12,8	9,5	8	6,5	5	3	1					
<b>GMC 50BE</b> <b>GMC 50-65B</b>	4,8	2,7	<b>GMCM 50BE</b> <b>GMCM 50-65B</b>	6,5	12,5x2	450	1,5	1,1	1,5		15,5	12,5	10	8,5	6,5	5	3	1				
<b>GMC 50AE</b> <b>GMC 50-65A</b>	6,6	3,8							2		17,3	14,5	12,5	11	9	7,5	5,5	3	1			

3~	230 V 400 V		1~	230 V			Capacitor	P <sub>1</sub>			P <sub>2</sub>			Q								
	A	A		A	µf	Vc		kW	kW	HP	m <sup>3</sup> /h	0	6		12	18	24	30	31	35	39	
<b>GMV 50CE</b> <b>GMV 50-65C</b>	3,3	1,9	<b>GMVM 50CE</b> <b>GMVM 50-65C</b>	4,5	16	450	1,1	0,75	1	H m	9,2	8	7	5	3,5	1,5	1					
<b>GMV 50BE</b> <b>GMV 50-65B</b>	4,8	2,7	<b>GMVM 50BE</b> <b>GMVM 50-65B</b>	6,5	12,5x2	450	1,5	1,1	1,5		10,7	9,5	8	6,5	4,5	2,5	2,3	1				
<b>GMV 50AE</b> <b>GMV 50-65A</b>	6,6	3,8							2		12,9	11,5	10	8,5	6,5	4,3	4	2,5	1			

P<sub>1</sub> Max. power input.

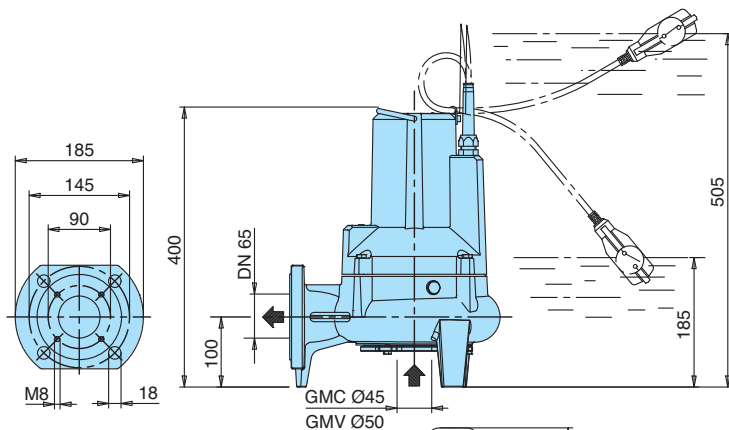
H Total head in m.

Density  $\rho = 1000$  kg/m<sup>3</sup>.

Kinematic viscosity  $\nu = \max 20$  mm<sup>2</sup>/sec.

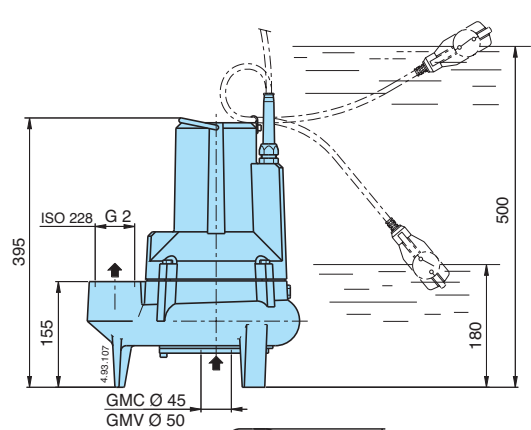
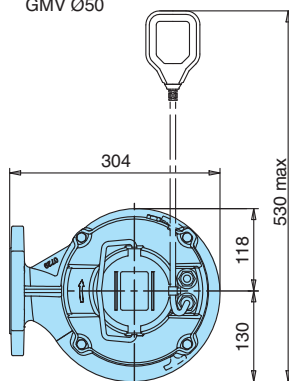
P<sub>2</sub> Rated motor power output.

### Dimensions and weights



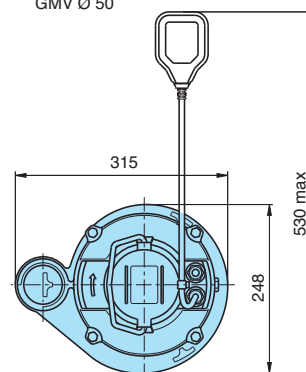
	kg
<b>GMV 50-65C</b>	29
<b>GMV 50-65B</b>	30
<b>GMV 50-65A</b>	31,5
<b>GMVM 50-65C</b>	29
<b>GMVM 50-65B</b>	30,5

	kg
<b>GMC 50-65C</b>	30
<b>GMC 50-65B</b>	31
<b>GMC 50-65A</b>	32,5
<b>GMCM 50-65C</b>	30
<b>GMCM 50-65B</b>	31,5

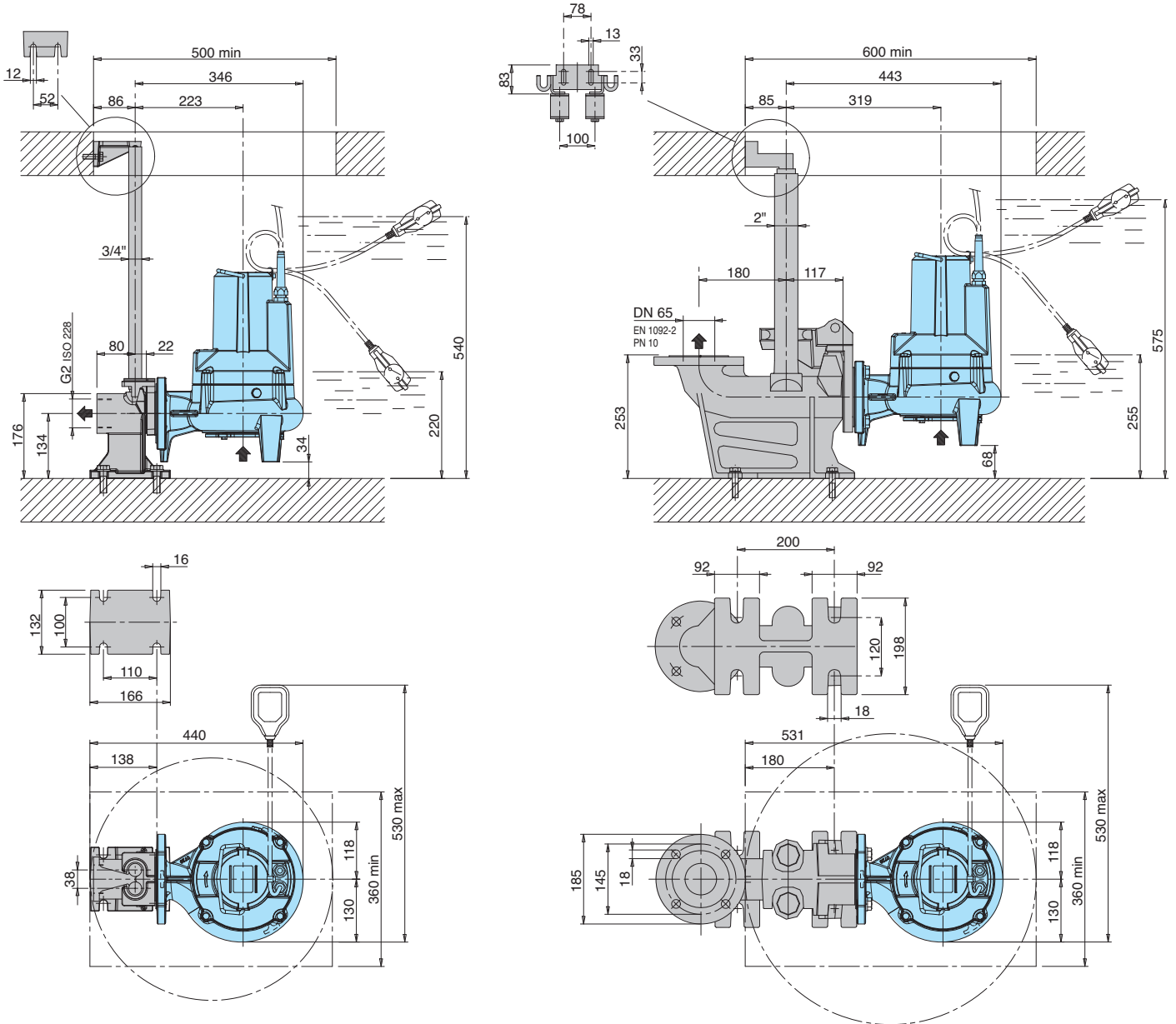


	kg
<b>GMV 50CE</b>	27
<b>GMV 50BE</b>	28
<b>GMV 50AE</b>	29,5
<b>GMVM 50CE</b>	27
<b>GMVM 50BE</b>	28,5

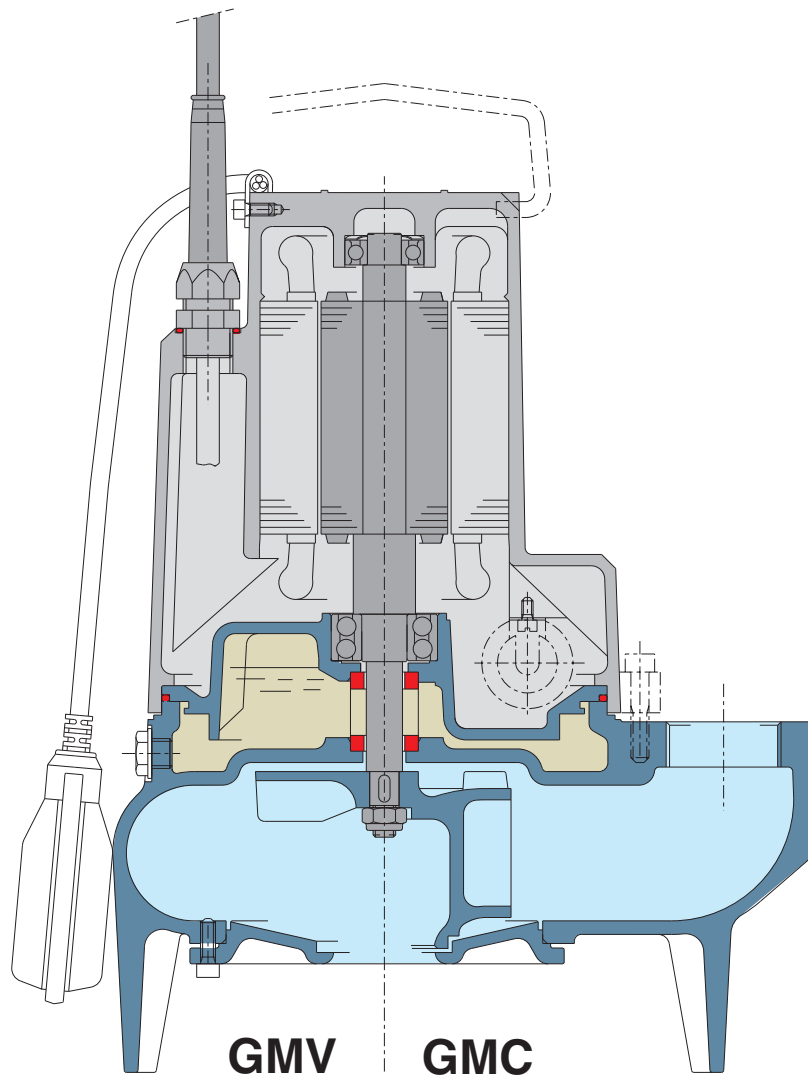
	kg
<b>GMC 50CE</b>	28
<b>GMC 50BE</b>	29
<b>GMC 50AE</b>	30,5
<b>GMCM 50CE</b>	28
<b>GMCM 50BE</b>	29,5



## Dimensions with duck foot coupling



### Features



#### Safety

The double mechanical seal with oil chamber ensures safe separation separating the motor from water and providing further protection against accidental operation when dry.

#### Reliable

The lower double ball bearing ensures high reliability under all operating conditions.

#### Protection

The three-phase motors are equipped with integrated thermistors, which provide the motor with thermal protection. The motor cable is pre-wired to enable the user to connect directly to a control panel, providing easier installation.

#### Flexible installation

The availability of the pump casing with horizontal or vertical flanged ports allows the installation of pumps in all pits and wells, both small and large sizes. Installation is also possible with a duck foot coupling.





### Construction

Submersible pumps with high power grinder, with horizontal flanged and threaded delivery port (DN 32 PN 6 - G 1 1/2). Double mechanical shaft seal with interposed oil chamber, to protect against dry-running.

### Applications

Suitable for pumping waste water containing long filamentous, paper and textile materials and organics. They are particularly suitable for use in domestic, residential and industrial installations. Solid passage Ø 6 mm

### Operating conditions

Liquid temperature up to 35° C.  
 Maximum immersion depth: 5 m.  
 Minimum immersion depth: 300 mm.  
 Continuous duty (with submerged motor).

### Motor

2-pole induction motor, 50 Hz (n ≈ 2900 rpm).  
**GQG:** three-phase 230 V ± 10%;  
 three-phase 400 V ± 10%;  
**GQGM:** single-phase 230 V ± 10%,  
 with float switch, thermal protection and control box with starting capacitors.  
 Cable: H07RN8-F, 4G1 mm<sup>2</sup> (4G1,5 mm<sup>2</sup> for GMGM 6-25), length 10 m.  
 Insulation class F.  
 Protection IP X8 (for continuous immersion)  
 Triple impregnation humidity-proof dry winding.  
 Constructed in accordance with: EN 60034-1;  
 EN 60335-1, EN 60335-2-41.

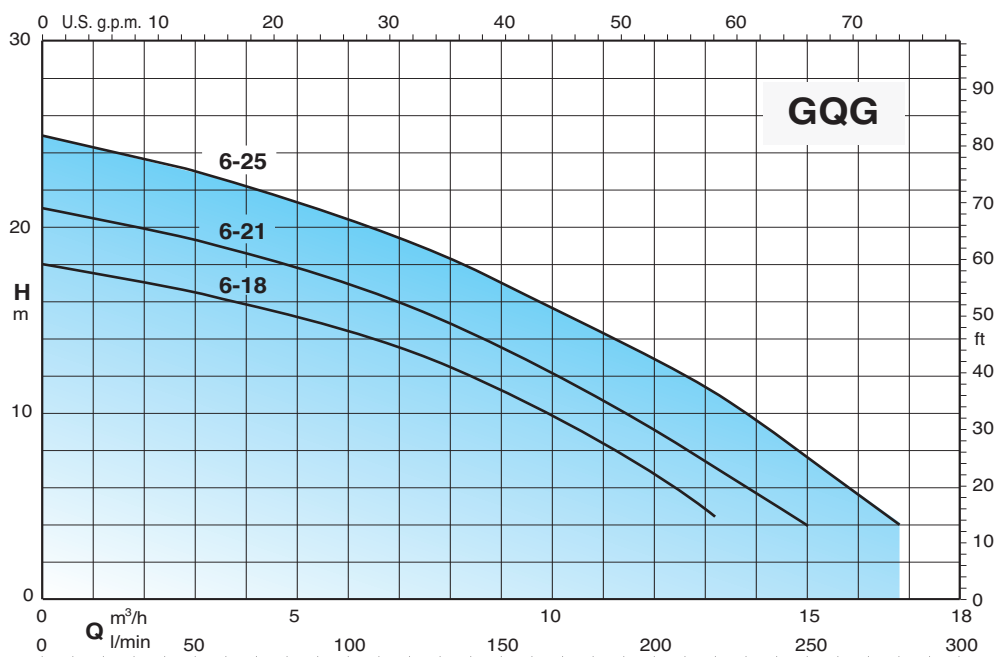
### Materials

Component	Material
Pump casing Impeller Casing cover	Cast iron GJL 200 EN 1561
Rotating cutting blade Fixed cutting blade	Nickel-Molybdenum steel 1.4125 EN 10088 (AISI 440C)
Motor jacket Jacket cover	Chrome-nickel steel 1.4301 EN 10088 (AISI 304)
Handle	Polypropylene (with frame in AISI 304)
Shaft	Chrome-nickel steel 1.4305 EN 10088 (AISI 303)
Mechanical seal: upper lower	Ceramic alumina/Carbon/NBR
Seal lubrication oil	Oil for food/pharmaceutical machinery

### Other features on request

- Other voltages.
- Frequency 60 Hz.
- Other mechanical seal.
- Cable length 20 m.
- Vertical magnetic float switch.
- Three-phase pumps with incorporated float switch.

### Characteristic curves n ≈ 2900 rpm



### Performance $n \approx 2900$ rpm

3~	230V 400V		1~	230V Capacitor			P <sub>1</sub>	P <sub>2</sub>		Q	H m							
	A	A		A	μf	Vc		kW	kW		HP	m <sup>3</sup> /h	0	3	6	9	12	13,2
<b>GQG 6-18</b>	4	2,3	<b>GQGM 6-18</b>	7	30+80	450	1,3	0,9	1,2	H m	18	16,5	14,5	11,2	6,5	4,5		
<b>GQG 6-21</b>	4,8	2,8	<b>GQGM 6-21</b>	7,5	30+80	450	1,5	1,1	1,5		21	19,2	17	13,5	9	7	4	
<b>GQG 6-25</b>	6,6	3,8	<b>GQGM 6-25</b>	9,5	30+80	450	2	1,5	2		25	23	20,5	17	13	11	7,8	4

P1 Max. power input.

P2 Rated motor power output.

Density  $\rho = 1000$  kg/m<sup>3</sup>.

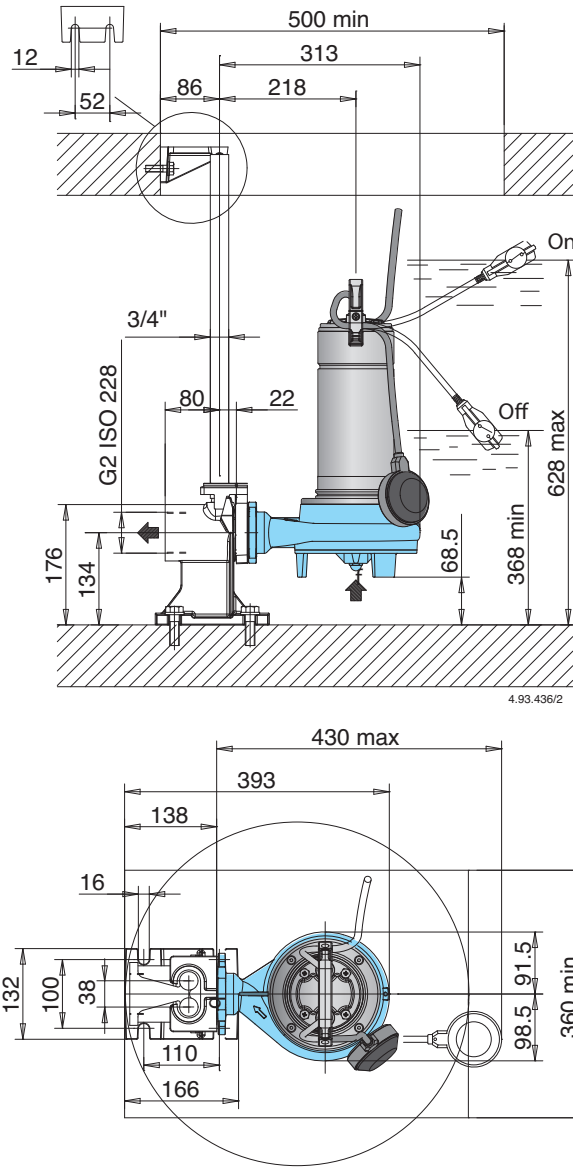
Kinematic viscosity  $\nu = \max 20$  mm<sup>2</sup>/sec.

### Dimensions and weights

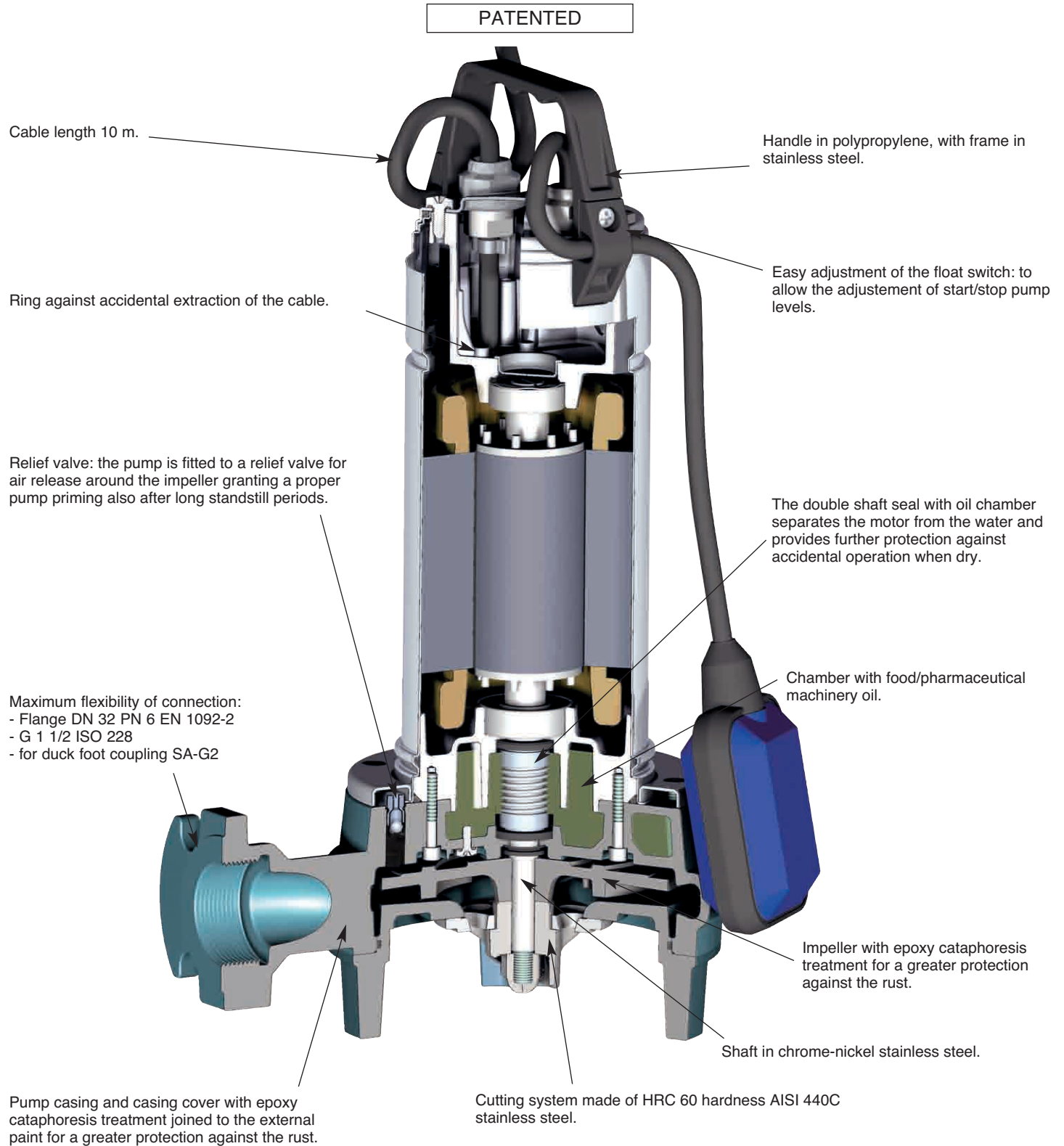
**GQGM**  
Control with box starting capacitors

TYPE	kg	
	GQG	GQGM
<b>GQG(M) 6-18</b>	18,5	19,5
<b>GQG(M) 6-21</b>	18,7	19,7
<b>GQG(M) 6-25</b>	19	20

### Installation example



### Features



# GM

## Submersible Pumps



**GMV**

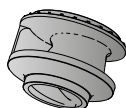
Submersible pumps with vortex impeller in cast iron EN-GJL-250

pag. 280

**GMVS**

Submersible pumps with vortex impeller in cast iron with polyurethane coating

pag. 287

**GMC**

Submersible pumps with single channel impeller in cast iron EN-GJL-250

pag. 289

**GMN**

Submersible pumps with channels impeller in cast iron EN-GJL-250

pag. 298

**GMG**

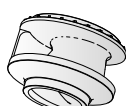
Submersible pumps with grinder in cast iron EN-GJL-250

pag. 312

**I-GMV**

Submersible pumps with vortex impeller in stainless steel AISI316

pag. 316

**I-GMC**

Submersible pumps with single channel impeller in stainless steel AISI316

pag. 316

**I-GMN**

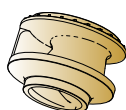
Submersible pumps with channels impeller in stainless steel AISI316

pag. 316

**B-GMV**

Submersible pumps with vortex impeller in Marine Bronze B10

pag. 327

**B-GMC**

Submersible pumps with single channel impeller in Marine Bronze B10

pag. 327

**B-GMN**

Submersible pumps with channels impeller in Marine Bronze B10

pag. 327

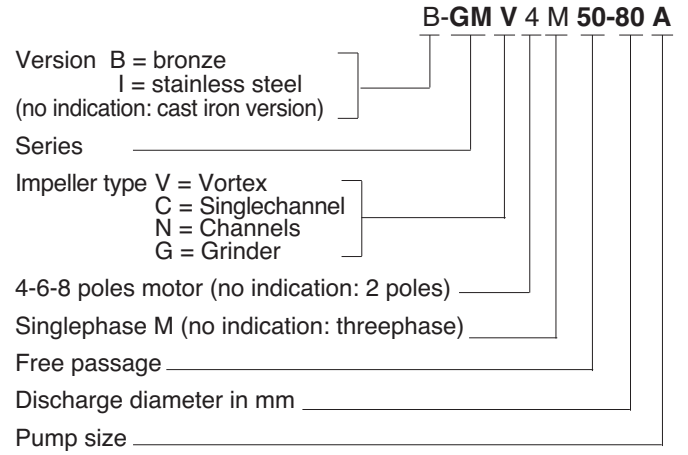
A new series of submersible pumps with high efficiency hydraulics designed to move slurry, sewage and industrial process fluids.

The range covers a wide field of use with head up to 75 m And flows up to 2300 m<sup>3</sup>/h, with a maximum solid passage up to 140 mm keeping the risk of blockage to a minimum.

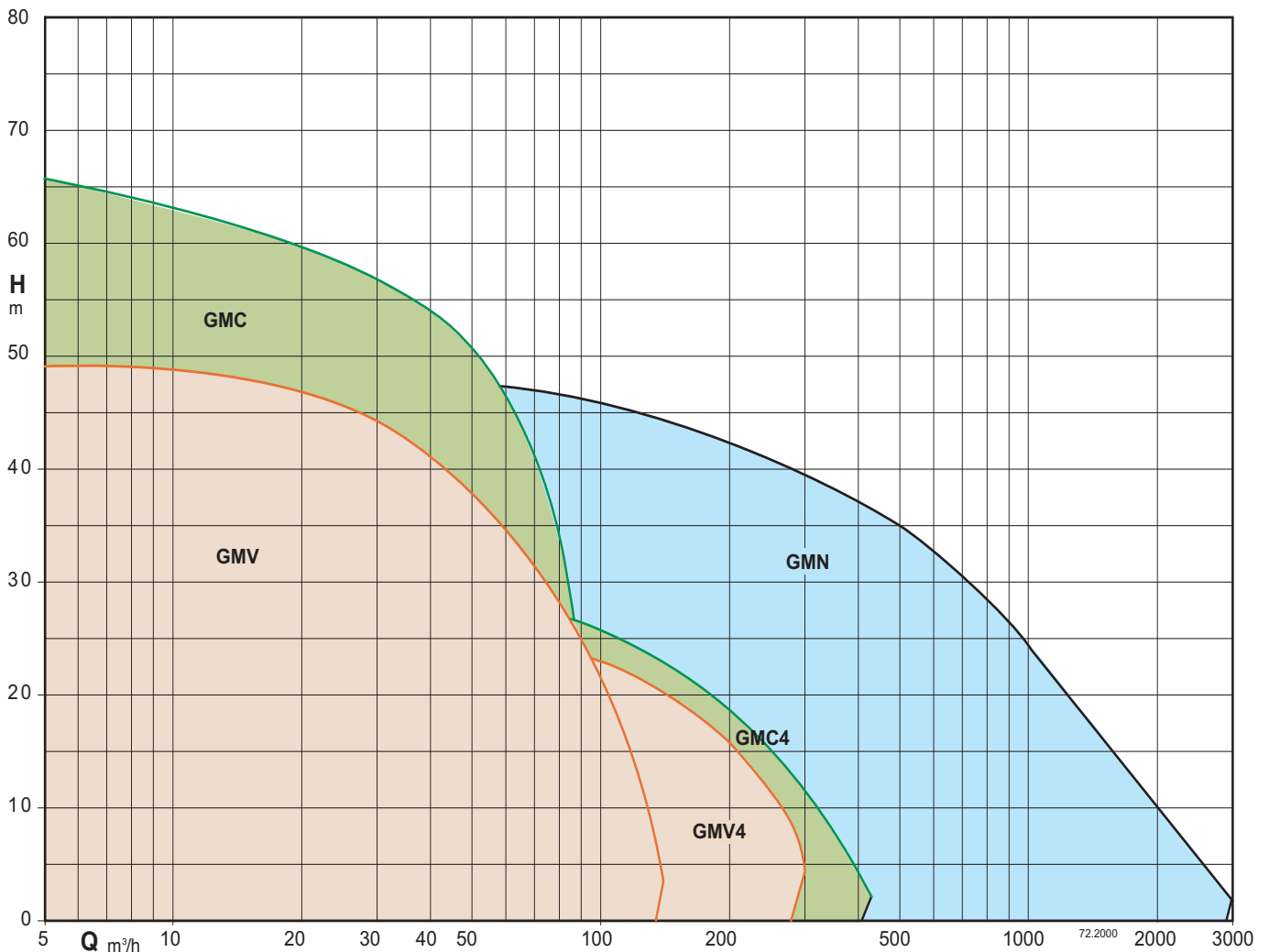
Dimensionally designed for heavy demand, even on critical applications.

Explosion proof version on request.

### Pump designation



### Coverage chart



Tolerances according to UNI EN ISO 9906:2012



### Construction

Submersible pumps with vortex impeller.  
Twin mechanical seal with oil chamber.  
Delivery connection DN 80-100-150.

### Applications

Suitable to pump slurry and sewage waters with the presence of solid and filamentous parts in suspension, they are in particular pointed out for emptying septic tanks in the domestic, residential and industrial installations.

Solid passage diameter from 50 to 100 mm.

### Operating conditions

Liquid temperature up to 40 °C.  
Maximum immersion depth: 20 m (with suitable cable length).  
Continuous duty (with pump immersed at minimum level).

### Main materials

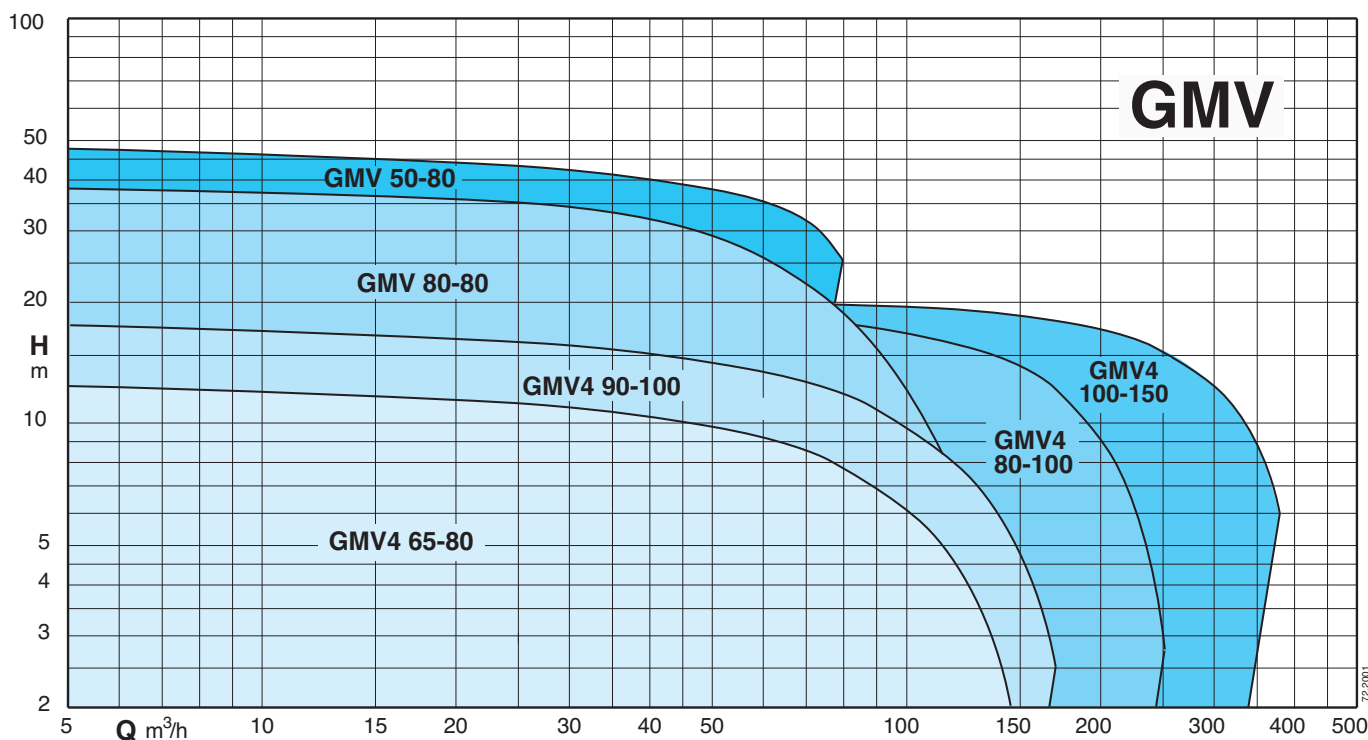
Pump casing: cast iron EN-GJL-250  
Impeller: cast iron EN-GJL-250+Ni  
Motor casing: cast iron EN-GJL-250  
Motor cover: cast iron EN-GJL-250  
Shaft: stainless steel AISI 420B  
Mechanical seal motor side: graphite/ceramic  
Mechanical seal pump side: silicon carbide/silicon carbide

### Motor

2 or 4 poles induction, 50Hz  
Three-phase version: 400V ± 10%  
400/690V ± 10%


Insulation Class: H  
Protection degree: IP 68  
N° of starting x hour: max 15 with regular intervals  
Cable: H07RN-F, length 10 m  
Other models: contact our sale office  
**Classification scheme IE3.**

### Coverage chart





### Technical data

TYPE	P <sub>2</sub> kW	I <sub>N</sub> A	Power Supply	r.p.m.	Starting	DN mm	Free passage Ø mm	Thermal protector	Humidity probe	 ATEX Eex
GMV 50-80F/A	3,1	5,8	3~ 400V	2850	D.O.L.	80	50	NO	NO	✓
GMV 50-80E/A	3,9	7,2	3~ 400V	2850	D.O.L.	80	50	NO	NO	✓
GMV 50-80D/A	5	9,1	3~ 400/690V	2850	Y/Δ	80	50	●	●	✓
GMV 50-80C/A	5,7	10,4	3~ 400/690V	2850	Y/Δ	80	50	●	●	✓
GMV 50-80B/A	16,6	29,8	3~ 400/690V	2850	Y/Δ	80	50	●	●	✓
GMV 50-80A/A	18,2	32,6	3~ 400/690V	2850	Y/Δ	80	50	●	●	✓
GMV 70-80B/B	8,2	14,7	3~ 400/690V	2850	Y/Δ	80	70	●	●	✓
GMV 70-80A/B	9	16,2	3~ 400/690V	2850	Y/Δ	80	70	●	●	✓
GMV 80-80B/A	14,9	26,8	3~ 400/690V	2850	Y/Δ	80	80	●	●	✓
GMV 80-80A/A	18,2	32,6	3~ 400/690V	2850	Y/Δ	80	80	●	●	✓
GMV 80-80S/A	22,4	38,9	3~ 400/690V	2850	Y/Δ	80	80	●	●	✓
GMV4 65-80D/A	2,3	4,4	3~ 400V	1450	D.O.L.	80	65	NO	NO	✓
GMV4 65-80C/A	3,2	6,2	3~ 400V	1450	D.O.L.	80	65	NO	NO	✓
GMV4 65-80B/A	3,5	6,8	3~ 400/690V	1450	Y/Δ	80	65	●	●	✓
GMV4 65-80A/A	4,9	9,9	3~ 400/690V	1450	Y/Δ	80	65	●	●	✓
GMV4 90-100B/A	6	11,5	3~ 400/690V	1450	Y/Δ	100	90	●	●	✓
GMV4 90-100A/A	7,5	14,3	3~ 400/690V	1450	Y/Δ	100	90	●	●	✓
GMV4 80-100C/A	10	19	3~ 400/690V	1450	Y/Δ	100	80	●	●	✓
GMV4 80-100B/A	12,9	24,1	3~ 400/690V	1450	Y/Δ	100	80	●	●	✓
GMV4 80-100A/A	16	29,7	3~ 400/690V	1450	Y/Δ	100	80	●	●	✓
GMV4 80-100S/A	27	49,6	3~ 400/690V	1450	Y/Δ	100	80	●	●	✓
GMV4 100-150E/A	27	49,6	3~ 400/690V	1450	Y/Δ	150	100	●	●	✓

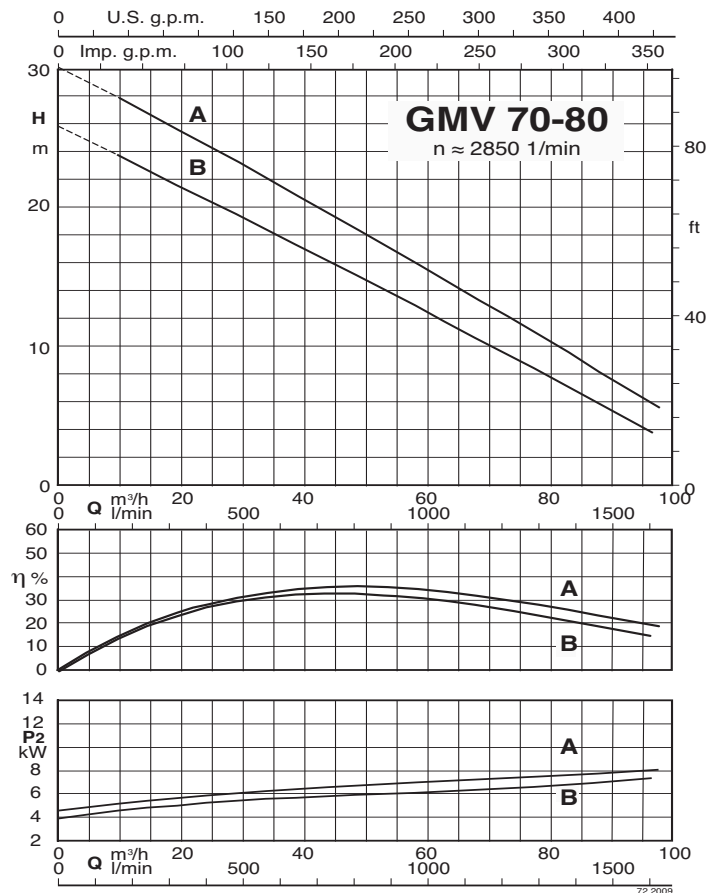
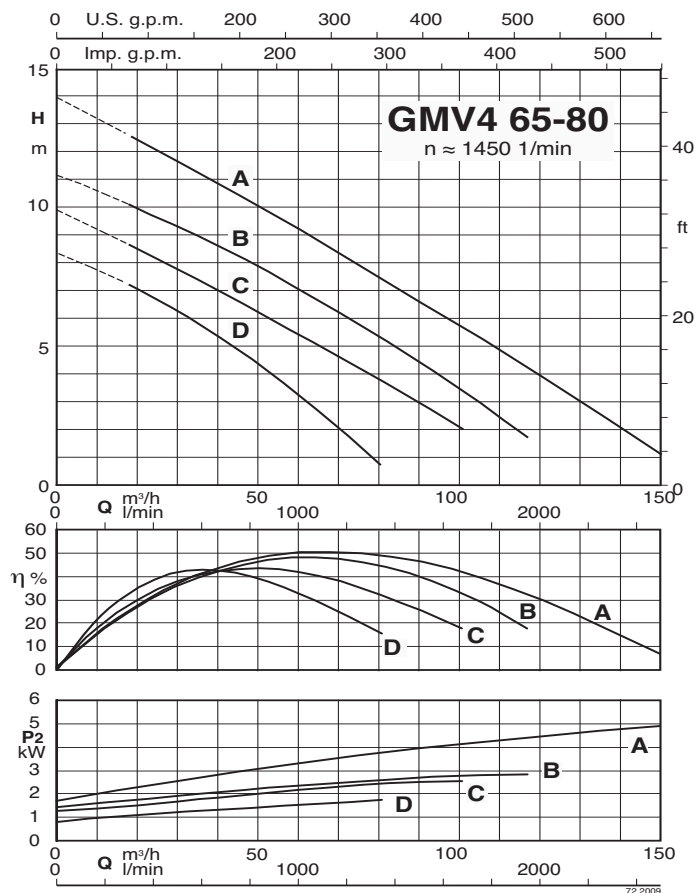
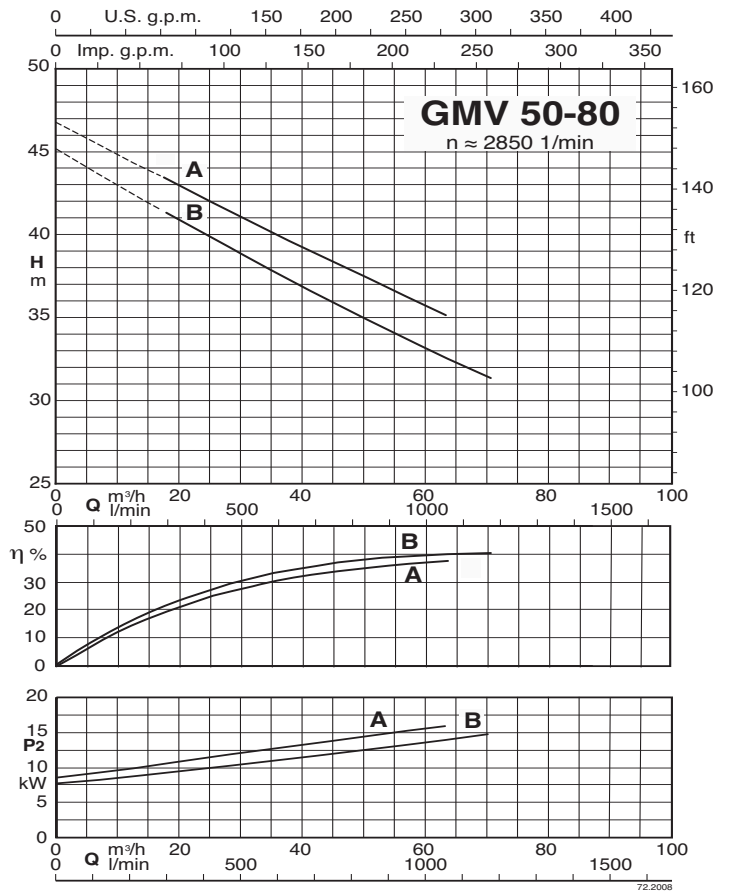
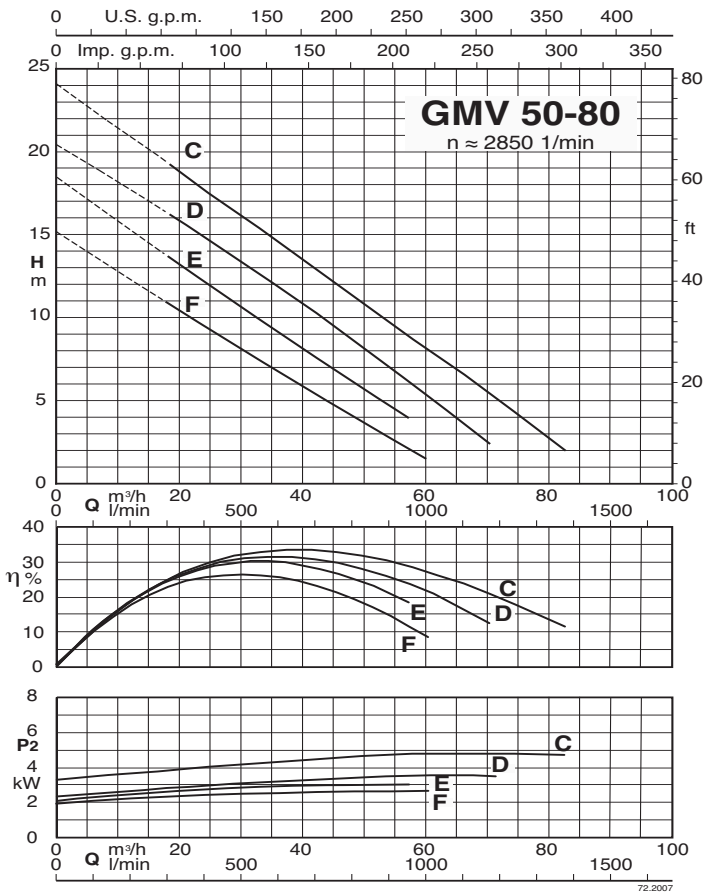
P<sub>2</sub> Rated power output

I<sub>N</sub> Rated current

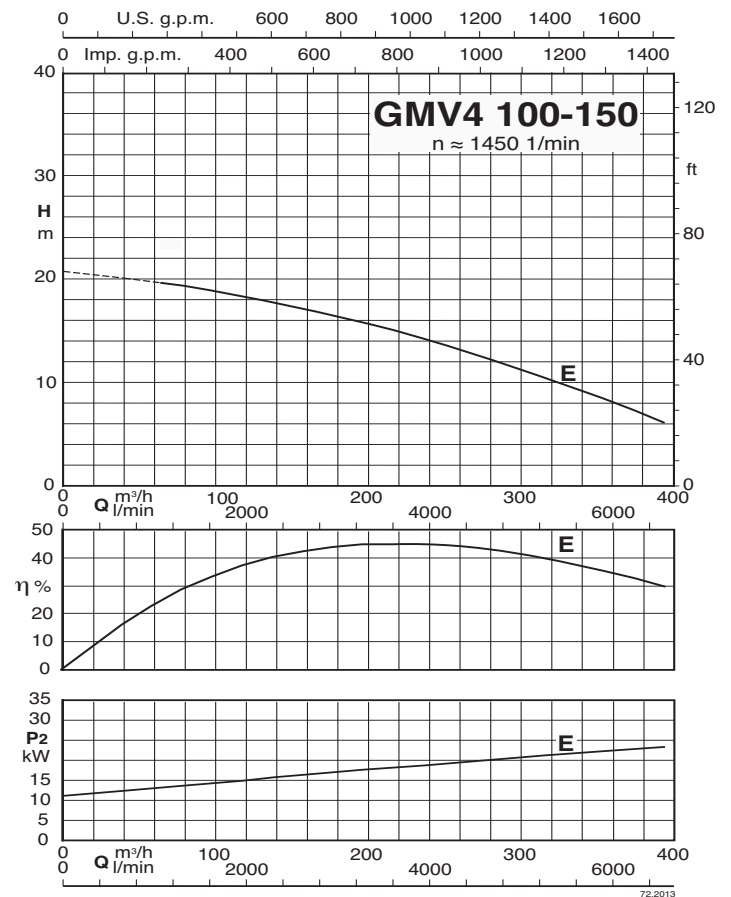
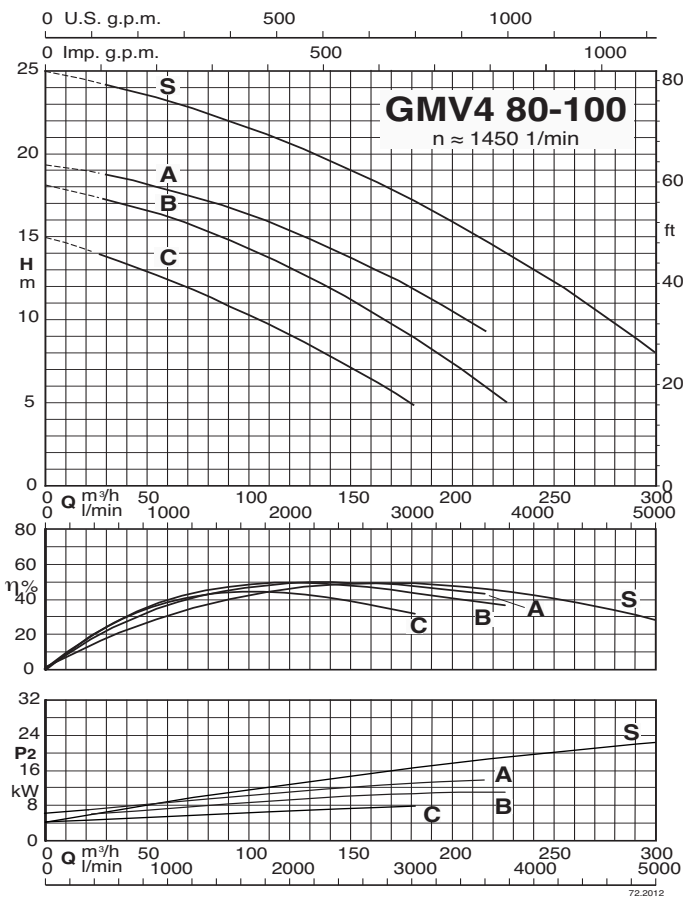
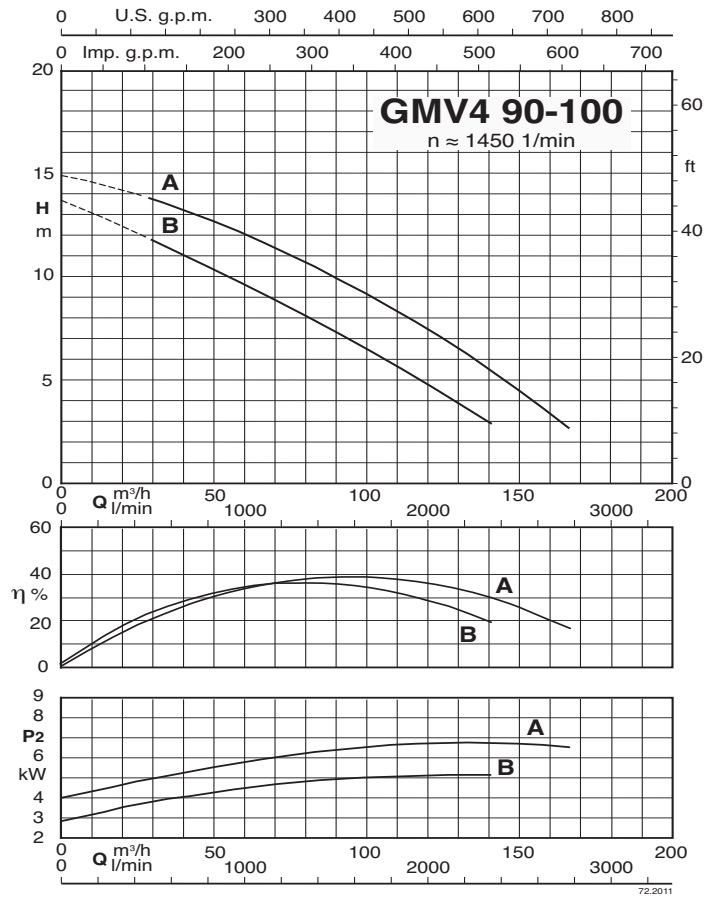
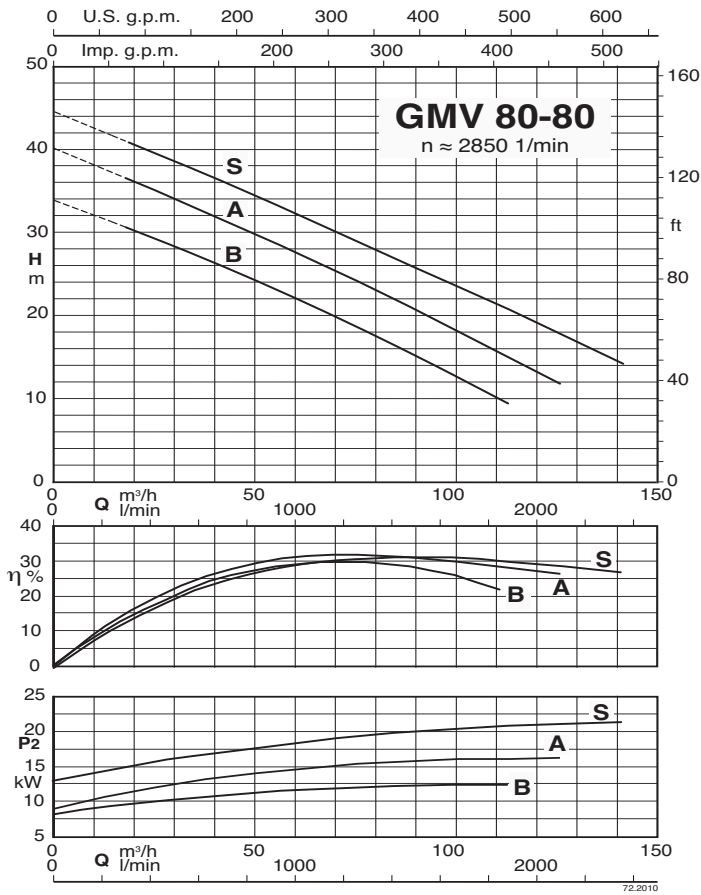
● Standard

✓ ATEX Eex Version on demand

### Characteristic curves

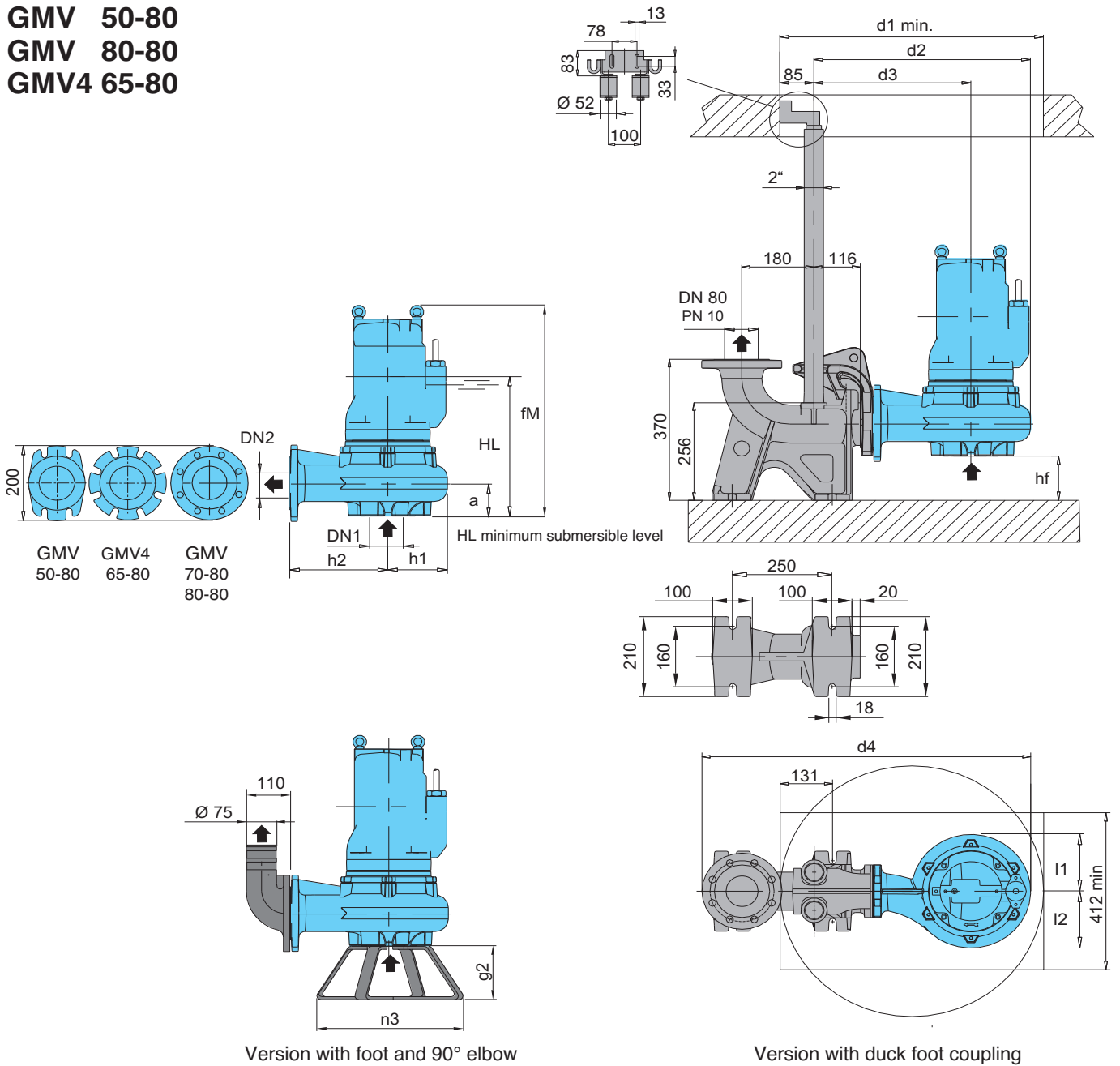


### Characteristic curves



### Dimensions and weights

GMV 50-80  
GMV 80-80  
GMV4 65-80



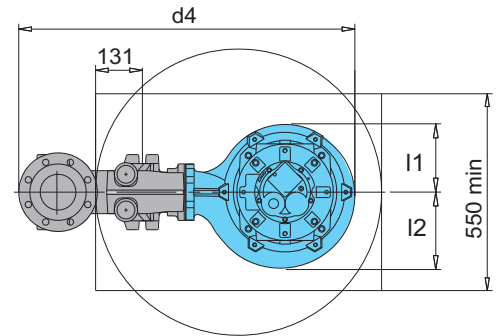
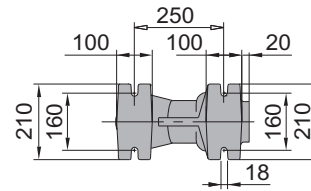
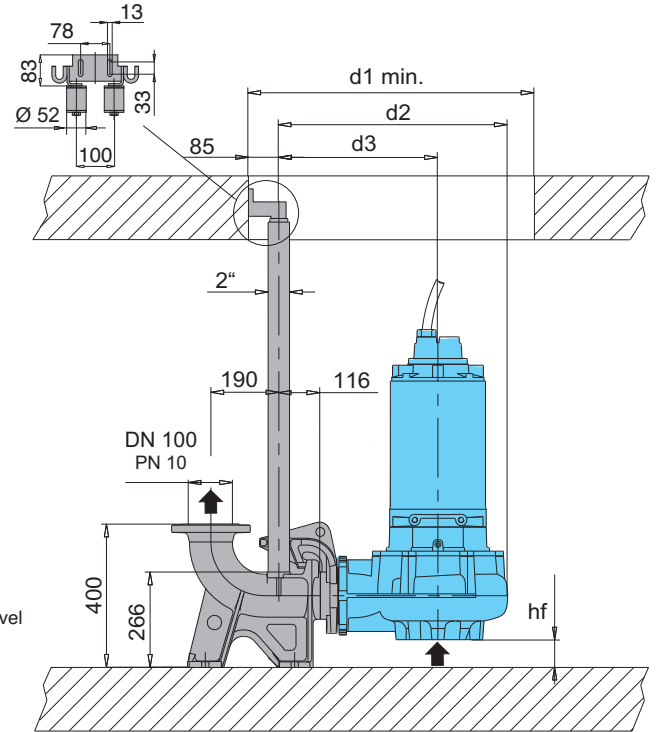
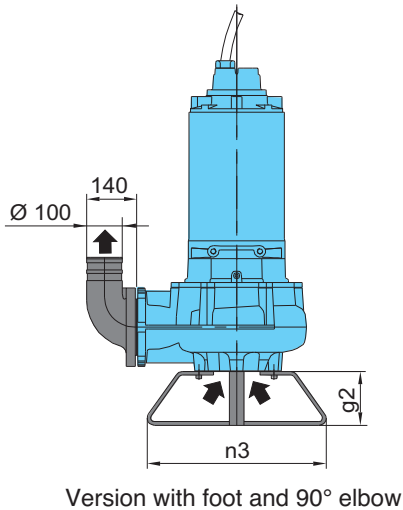
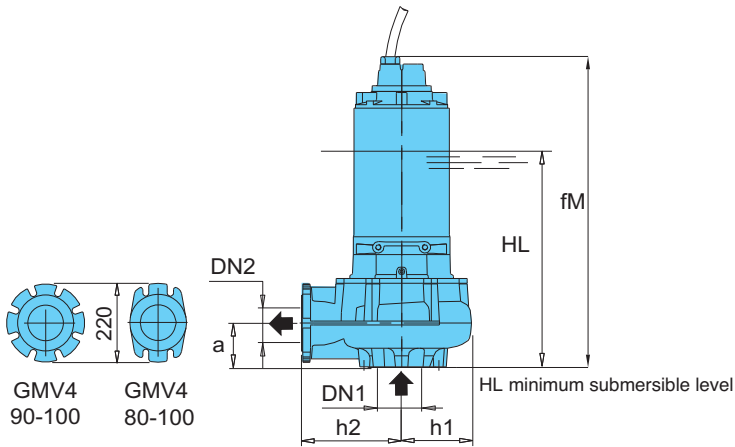
Version with foot and 90° elbow

Version with duck foot coupling

TYPE	EN 1092-2 PN 10		Dimensions mm														Weight kg
	DN1	DN2	fM	HL	hf	a	l1	l2	d1	d2	d3	d4	h1	h2	n3	g2	
GMV 50-80F/A	80	80	487	347	116	84	149	149	660	541	392	821	149	246	364	140	62
GMV 50-80E/A			553	375	116	84	149	149	660	541	392	821	149	246	364	140	76
GMV 50-80D/A			867	516	122	78	164	164	800	593	428	873	185	241	500	150	196
GMV 50-80C/A	80	80	829	500	65	135	167	167	800	633	446	913	185	280	400	140	165
GMV 50-80B/A			900	548	60	140	169	175	900	671	481	950	190	315	400	140	193
GMV 50-80A/A			1328	658	58	142	193	193	800	672	483	952	193	316	500	150	320
GMV 70-80B/B	80	80	516	380	80	121	143	169	700	548	396	828	152	250	364	140	64
GMV 70-80A/B			582	400	80	121	143	169	700	548	396	828	152	250	364	140	79
GMV 80-80B/A			900	548	60	140	169	175	900	671	481	950	190	315	400	140	193
GMV 80-80A/A	100	80	1328	658	58	142	193	193	800	672	483	952	193	316	500	150	320
GMV 80-80S/A			516	380	80	121	143	169	700	548	396	828	152	250	364	140	64
GMV 80-80S/A			582	400	80	121	143	169	700	548	396	828	152	250	364	140	79
GMV4 65-80D/A	80	80	516	380	80	121	143	169	700	548	396	828	152	250	364	140	64
GMV4 65-80C/A			582	400	80	121	143	169	700	548	396	828	152	250	364	140	79
GMV4 65-80B/A			900	548	60	140	169	175	900	671	481	950	190	315	400	140	193
GMV4 65-80A/A	100	80	1328	658	58	142	193	193	800	672	483	952	193	316	500	150	320
GMV4 65-80S/A			516	380	80	121	143	169	700	548	396	828	152	250	364	140	64
GMV4 65-80S/A			582	400	80	121	143	169	700	548	396	828	152	250	364	140	79

### Dimensions and weights

#### GMV4 90-100 GMV4 80-100

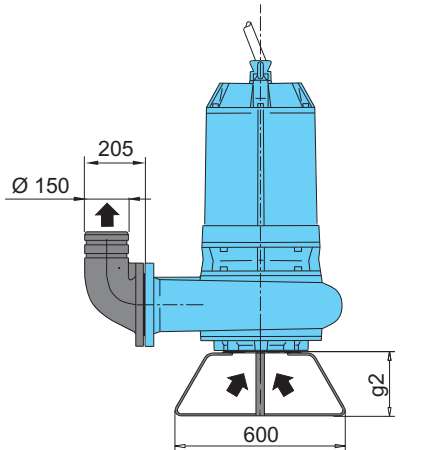
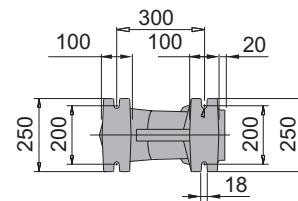
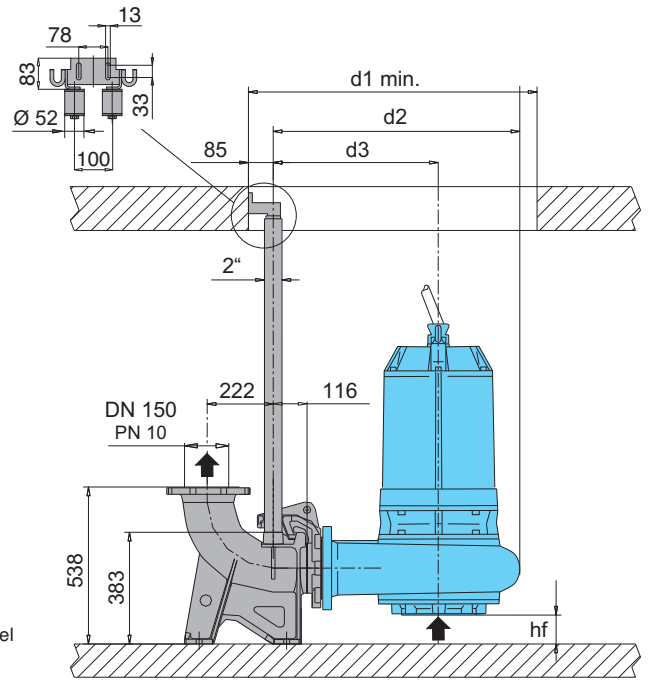
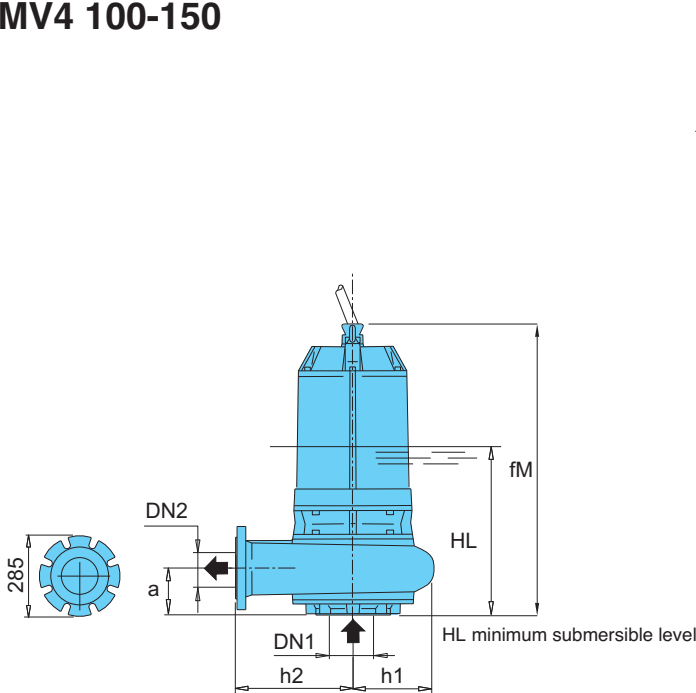


Version with duck foot coupling

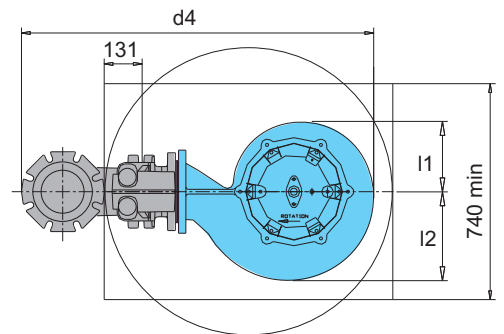
TYPE	EN 1092-2 PN 10		Dimensions mm														Weight kg
	DN1	DN2	fM	HL	hf	a	l1	l2	d1	d2	d3	d4	h1	h2	n3	g2	
GMV4 90-100B/A	125	100	829	490	89	111	180	180	800	633	443	933	241	277	500	150	165
GMV4 90-100A/A																	
GMV4 80-100C/A	125	100	921	570	54	147	189	212	800	640	445	940	195	279	500	150	205
GMV4 80-100B/A																	
GMV4 80-100A/A																	
GMV4 80-100S/A	125	100	1343	670	54	146	193	212	800	640	441	936	200	280	500	150	325

### Dimensions and weights

#### GMV4 100-150

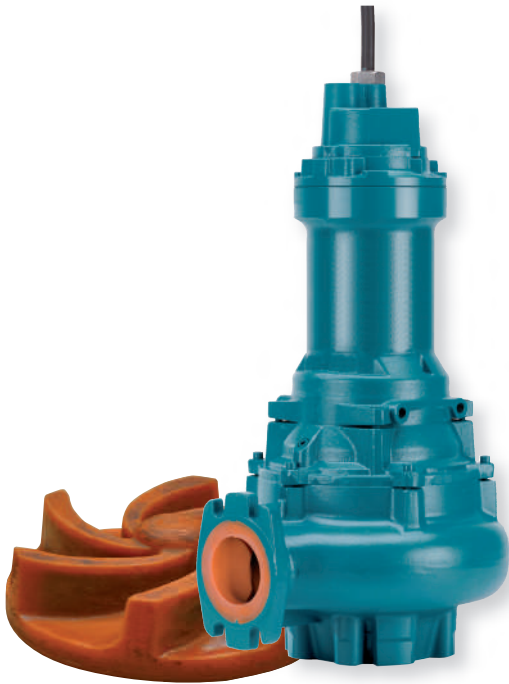


Version with foot and 90° elbow



Version with duck foot coupling

TYPE	EN 1092-2 PN 10		Dimensions mm															Weight kg
	DN1	DN2	fM	HL	hf	a	l1	l2	d1	d2	d3	d4	h1	h2	n3	g2		
GMV4 100-150E/A	150	150	1359	710	114	146	193	223	850	675	469	1040	206	280	600	225	355	



### Construction

Submersible pumps with vortex impeller  
Impeller in Polyurethane with a stainless steel core - Pump casing in Cast iron EN-GJL-250, with polyurethane coating for parts subject to high wear.  
Twin mechanical seal with oil chamber.  
Delivery connection DN 80.

### Applications

The pumps are designed to suit applications in plants with an high sand presence, in marble work companies, in the ceramic industry, crystals machining or industrial processes handling abrasives liquids.  
Solid passage diameter from 35 mm.

### Operating conditions

Liquid temperature up to 40 °C.  
Maximum immersion depth: 20 m (with suitable cable length).  
Continuous duty (with pump immersed at minimum level).

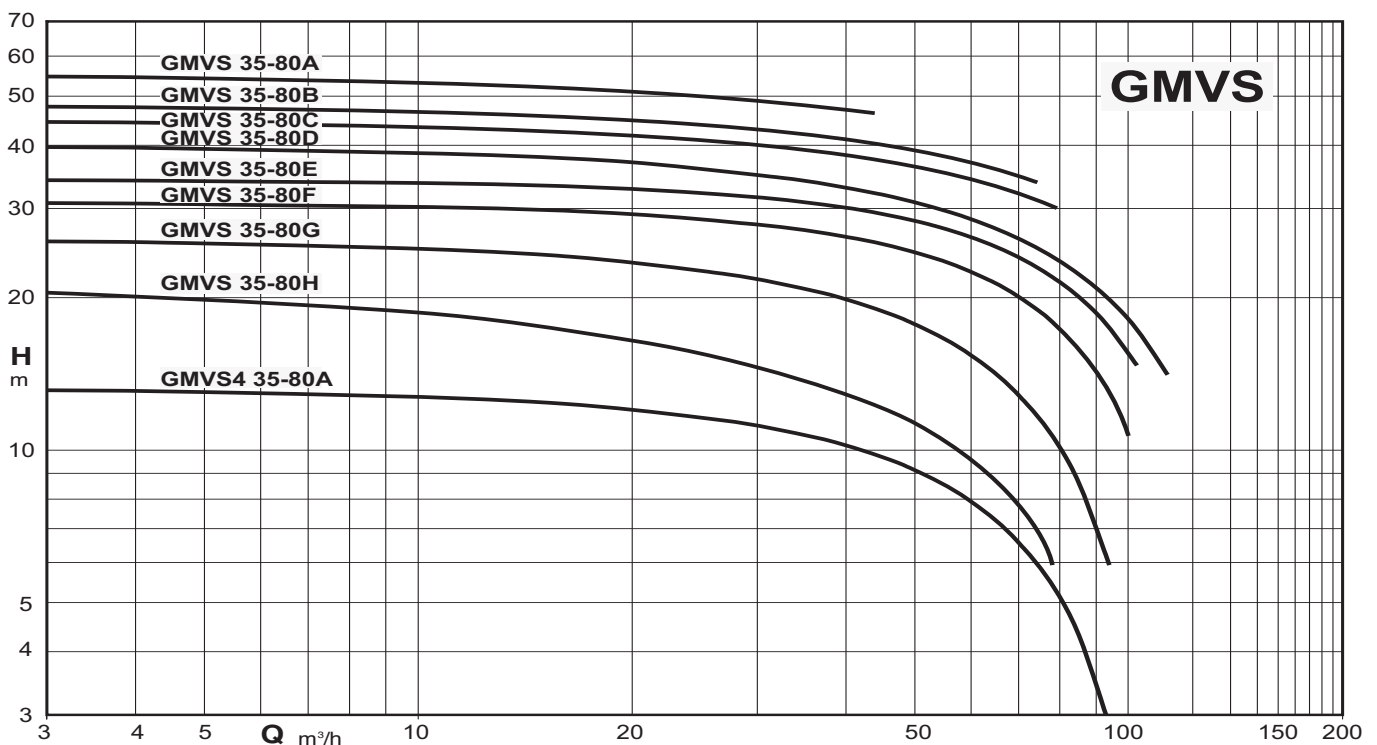
### Main materials

Pump casing: cast iron EN-GJL-250 with polyurethane coating  
Impeller: Polyurethane with a stainless steel core  
Motor casing: cast iron EN-GJL-250  
Motor cover: cast iron EN-GJL-250  
Shaft: stainless steel AISI 420B  
Mechanical seal motor side: graphite/ceramic  
Mechanical seal pump side: silicon carbide/silicon carbide

### Motor

2 or 4 poles induction, 50Hz  
Three-phase version: 400/690V ± 10%  
Insulation Class: H  
Protection degree: IP 68  
N° of starting x hour: max 15 with regular intervals  
Cable: H07RN-F, length 10 m  
Other models: contact our sale office  
**Classification scheme IE3.**

### Coverage chart



### Technical data

TYPE	P <sub>2</sub> kW	I <sub>N</sub> A	Power Supply	r.p.m.	Starting	DN mm	Free passage Ø mm	Thermal protector	Humidity probe	ATEX Eex
GMVS 35-80H/A	9	16,2	3~ 400/690V	2850	Y/Δ	80	35	●	●	
GMVS 35-80G/A	12	24,7	3~ 400/690V	2850	Y/Δ	80	35	●	●	
GMVS 35-80F/A	16,6	29,8	3~ 400/690V	2850	Y/Δ	80	35	●	●	
GMVS 35-80E/A	16,6	29,8	3~ 400/690V	2850	Y/Δ	80	35	●	●	
GMVS 35-80D/A	16,6	29,8	3~ 400/690V	2850	Y/Δ	80	35	●	●	
GMVS 35-80C/A	16,6	29,8	3~ 400/690V	2850	Y/Δ	80	35	●	●	
GMVS 35-80B/A	16,6	29,8	3~ 400/690V	2850	Y/Δ	80	35	●	●	
GMVS 35-80A/A	16,6	29,8	3~ 400/690V	2850	Y/Δ	80	35	●	●	
GMVS4 35-80A/A	6	11,5	3~ 400/690V	1450	Y/Δ	80	35	●	●	

P<sub>2</sub> Rated power output

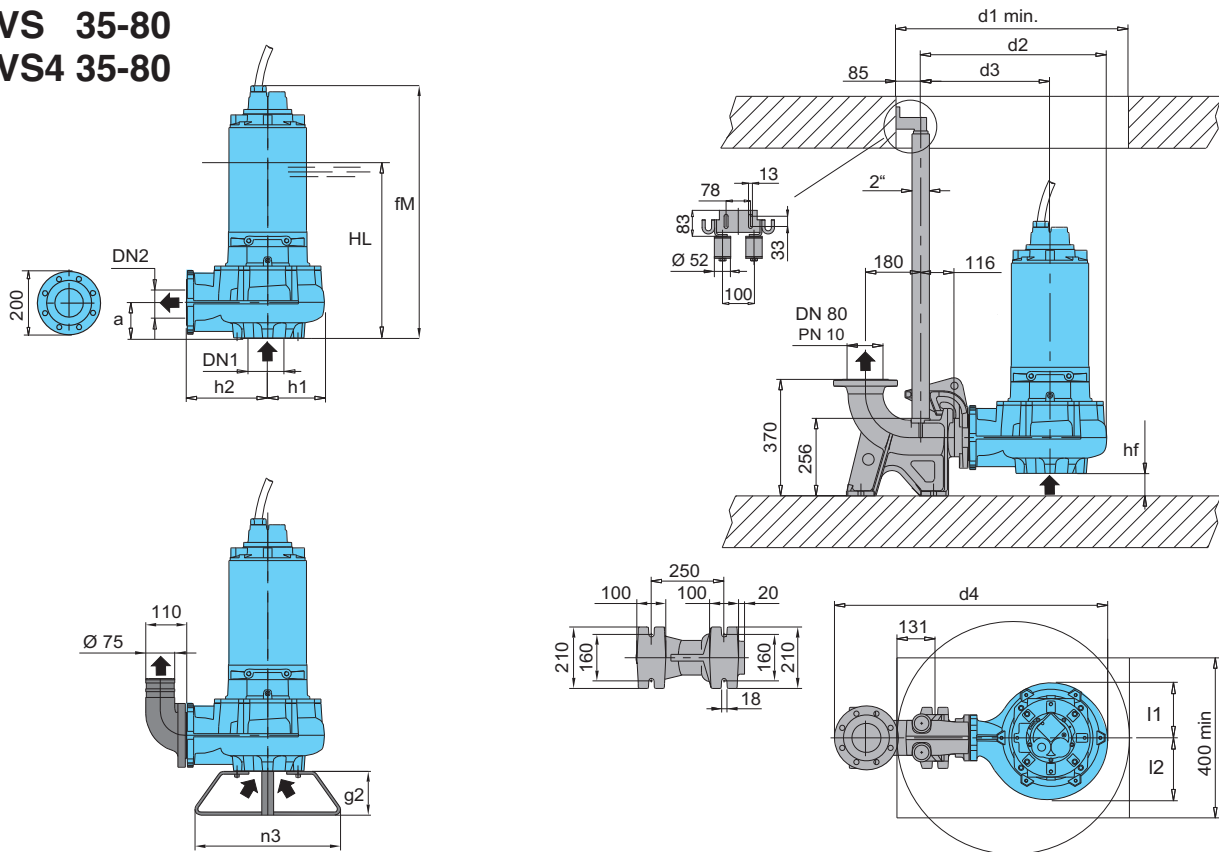
I<sub>N</sub> Rated current

● Standard

✓ ATEX Eex Version on demand

### Dimensions and weights

#### GMVS 35-80 GMVS4 35-80



TYPE	EN 1092-2 PN 10		Dimensions mm														Weight kg
	DN1	DN2	fM	HL	hf	a	l1	l2	d1	d2	d3	d4	h1	h2	n3	g2	
GMVS 35-80H/A	80	80	796	468	122	78	165	165	800	593	408	873	185	242	400	140	165
GMVS 35-80G/A	80	80	867	514	124	100	165	165	800	593	408	873	185	242	500	150	191
GMVS 35-80F/A																	
GMVS 35-80E/A																	
GMVS 35-80D/A																	
GMVS 35-80C/A																	
GMVS 35-80B/A																	
GMVS 35-80A/A	80	80	796	468	122	78	165	165	800	593	408	873	185	242	400	140	160
GMVS4 35-80A/A																	





### Construction

Submersible pumps with single channel impeller.  
Twin mechanical seal with oil chamber (lip-seal motor side up to 1,4 kW).  
Delivery connection DN 50-65-80-100-150

### Applications

Suitable to pump slurry, sewage, waste water (non-corrosive).  
In industrial and residential installations and drainag applications  
Solid passage from 40 to 100mm

### Operating conditions

Liquid temperature up to 40 °C.  
Maximum immersion depth: 20 m (with suitable cable length).  
Continuous duty (with pump immersed at minimum level).

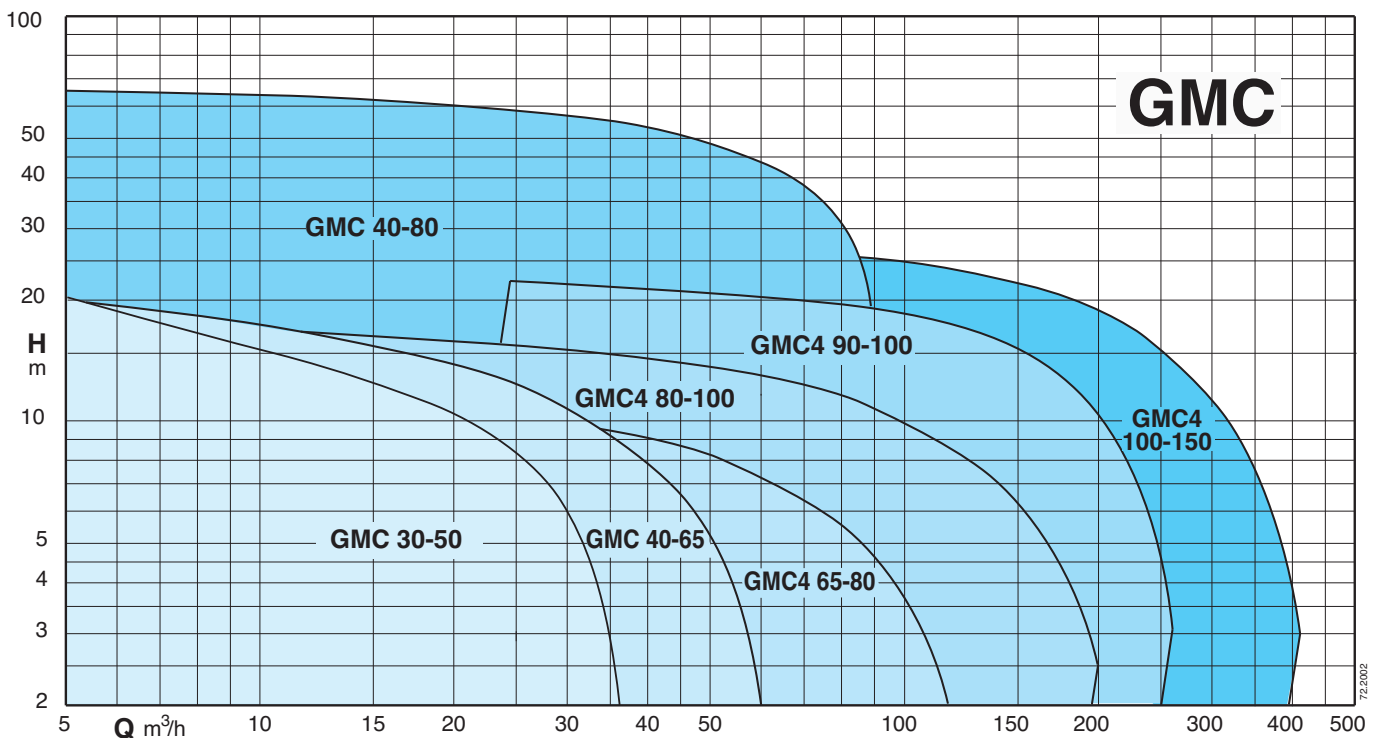
### Main materials

Pump casing: cast iron EN-GJL-250 - Impeller: cast iron EN-GJL-250+Ni  
Motor casing, Motor cover: cast iron EN-GJL-250  
Motor shaft: stainless steel AISI 420B  
Lip seal made of nitrile up to 1,4 kW  
Mechanical seal motor side: graphite/ceramic over 1,4 kW  
Mechanical seal pump side: silicon carbide/silicon carbide


### Motor

2 or 4 poles induction, 50Hz  
Single-phase version: 230V ± 10%, with float switch and built-in capacitor.  
Three-phase version: 400V ± 10%,  
400/690V ± 10%  
Insulation class: H  
Protection degree: IP 68  
N° of starting x hour: max 15 with regular intervals  
Cable: H07RN-F, length 10 m  
Other models: contact our sale office  
**Classification scheme IE3.**

### Coverage chart



### Technical data

TYPE	P <sub>2</sub> kW	I <sub>N</sub> A	Power Supply	r.p.m.	Starting	DN mm	Free passage Ø mm	Thermal protector	Humidity probe	 ATEX Eex
GMC M 30-50B/A	1,4	8,4	1~ 230V	2850	D.O.L.	50	30	●	NO	
GMC 30-50B/A	1,9	3,5	3~ 400V	2850	D.O.L.	50	30	NO	NO	
GMC 30-50A/A	1,9	3,5	3~ 400V	2850	D.O.L.	50	30	NO	NO	
GMC M 40-65B/A	1,9	11,4	1~ 230V	2850	D.O.L.	65	40	NO	NO	✓
GMC 40-65B/A	2,4	4,5	3~ 400V	2850	D.O.L.	65	40	NO	NO	✓
GMC 40-65A/A	2,4	4,5	3~ 400V	2850	D.O.L.	65	40	NO	NO	✓
GMC 40-80C/A	13,8	24,8	3~ 400/690V	2850	Y/Δ	80	40	●	●	✓
GMC 40-80B/A	16,6	29,8	3~ 400/690V	2850	Y/Δ	80	40	●	●	✓
GMC 40-80A/A	18,2	32,6	3~ 400/690V	2850	Y/Δ	80	40	●	●	✓
GMC4M 65-80C/A	1,2	6,9	1~ 230V	1450	D.O.L.	80	65	●	NO	✓
GMC4 65-80C/A	1,6	3,1	3~ 400V	1450	D.O.L.	80	65	NO	NO	✓
GMC4 75-80A/A	2,8	5,4	3~ 400V	1450	D.O.L.	80	75	NO	NO	✓
GMC4 80-100C/A	3,9	7,9	3~ 400/690V	1450	Y/Δ	100	80	●	●	✓
GMC4 80-100B/A	3,9	7,9	3~ 400/690V	1450	Y/Δ	100	80	●	●	✓
GMC4 80-100A/A	7,1	13,5	3~ 400/690V	1450	Y/Δ	100	80	●	●	✓
GMC4 90-100B/A	10	19	3~ 400/690V	1450	Y/Δ	100	90	●	●	✓
GMC4 90-100A/A	14,4	26,7	3~ 400/690V	1450	Y/Δ	100	90	●	●	✓
GMC4 100-150C/B	12,9	24,1	3~ 400/690V	1450	Y/Δ	150	100	●	●	✓
GMC4 100-150B/B	15	27,8	3~ 400/690V	1450	Y/Δ	150	100	●	●	✓
GMC4 100-150A/B	17,8	33,3	3~ 400/690V	1450	Y/Δ	150	100	●	●	✓

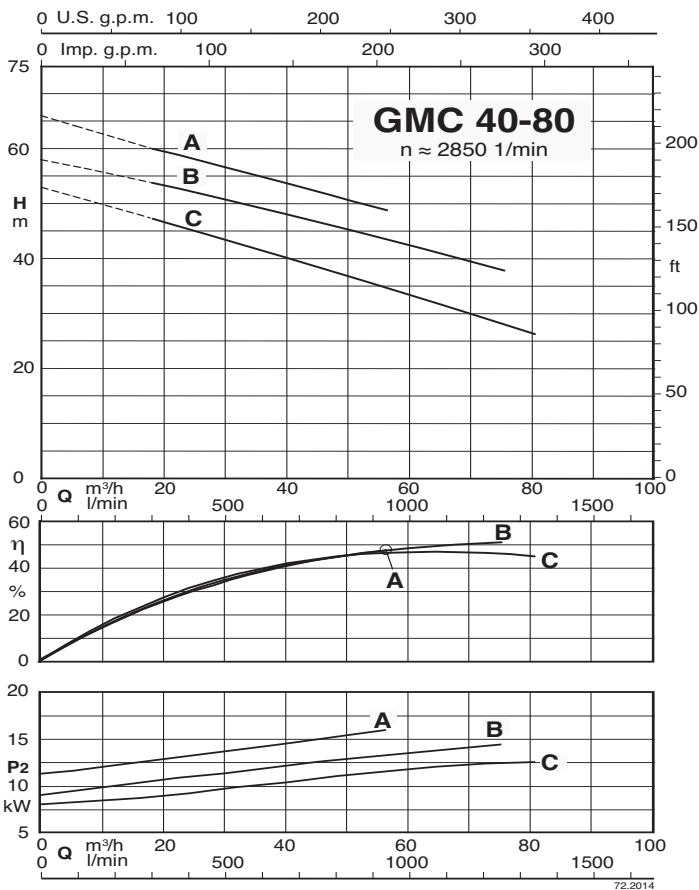
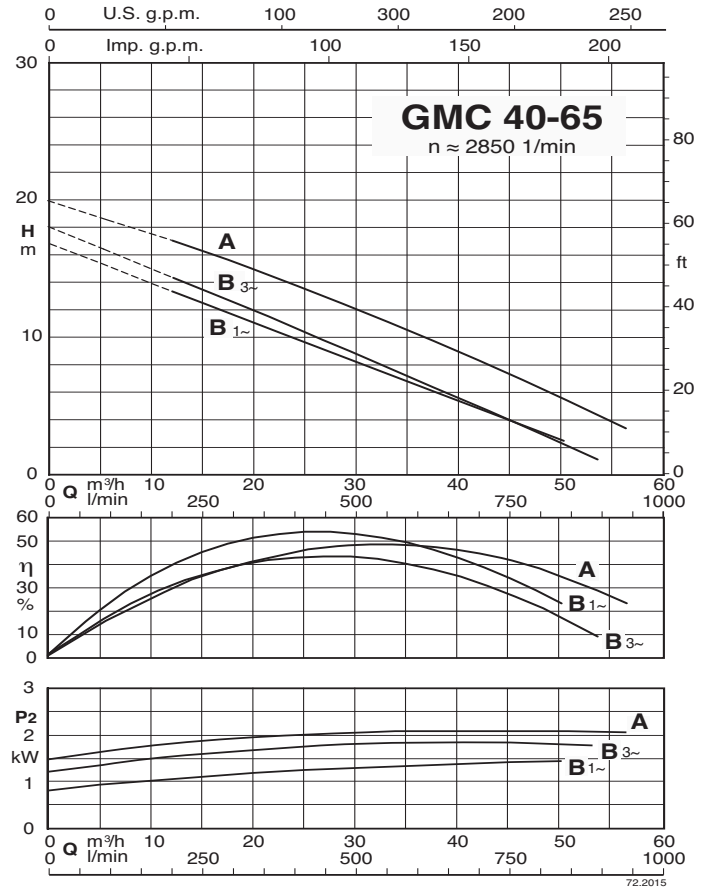
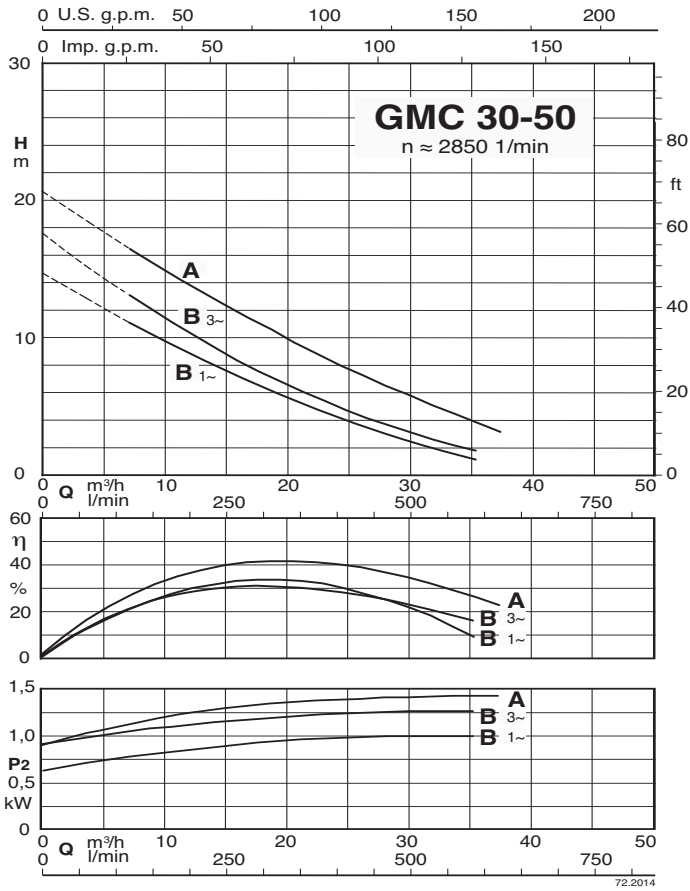
P<sub>2</sub> Rated power output

I<sub>N</sub> Rated current

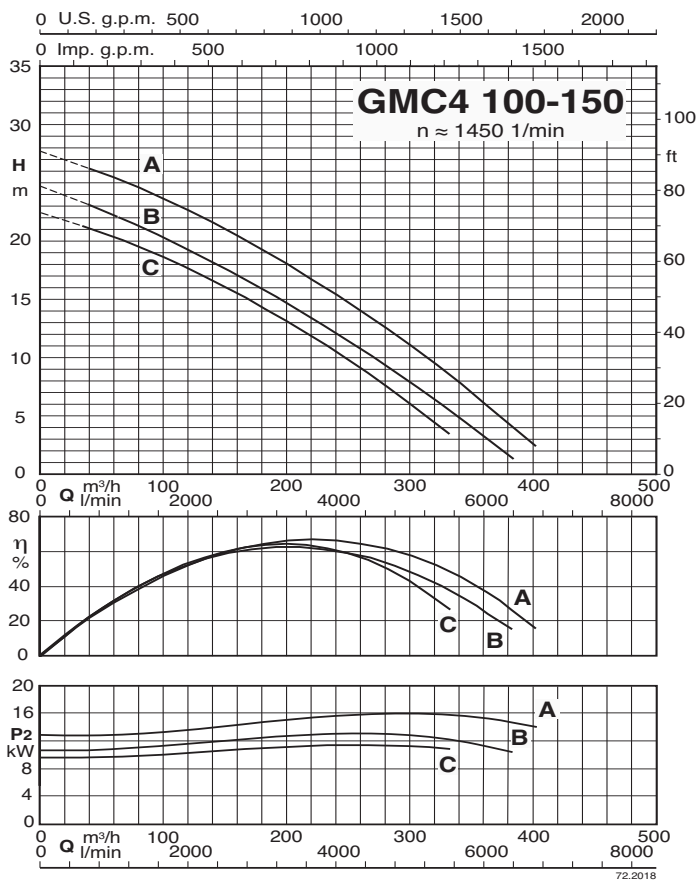
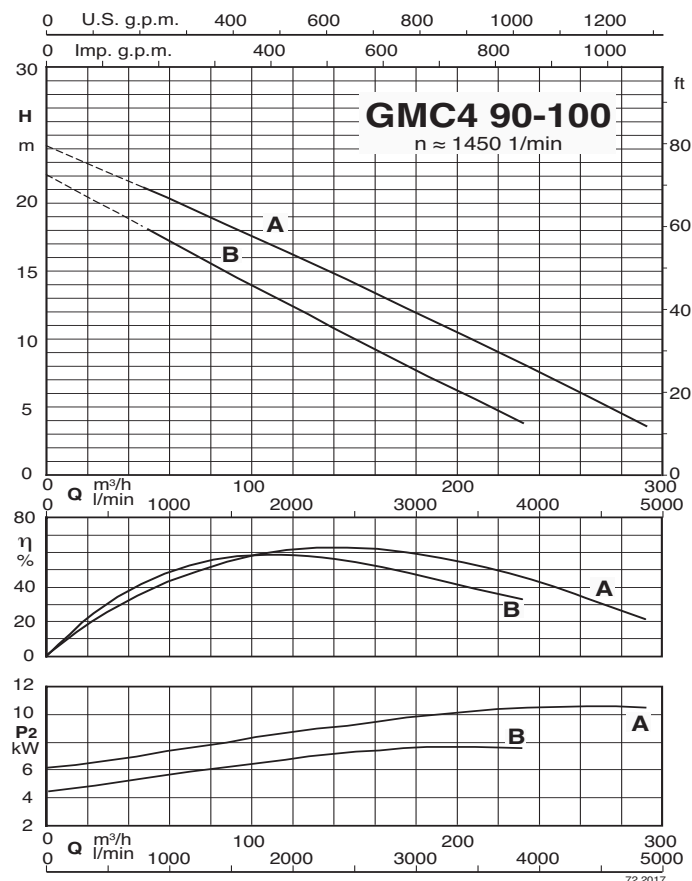
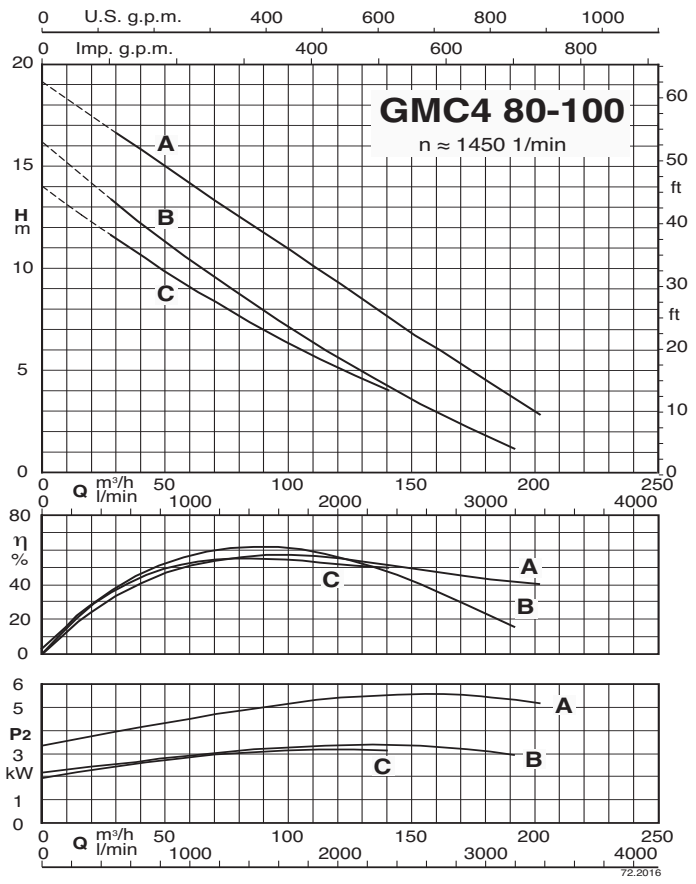
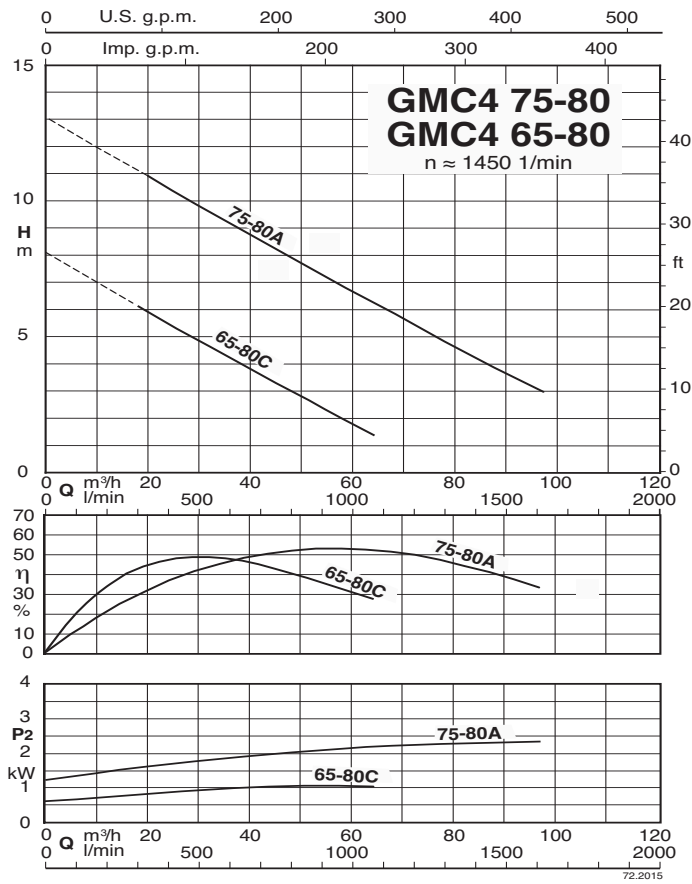
● Standard

✓ ATEX Eex Version on demand

### Characteristic curves

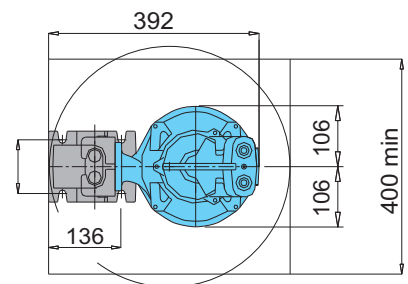
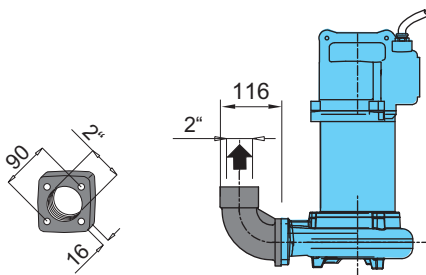
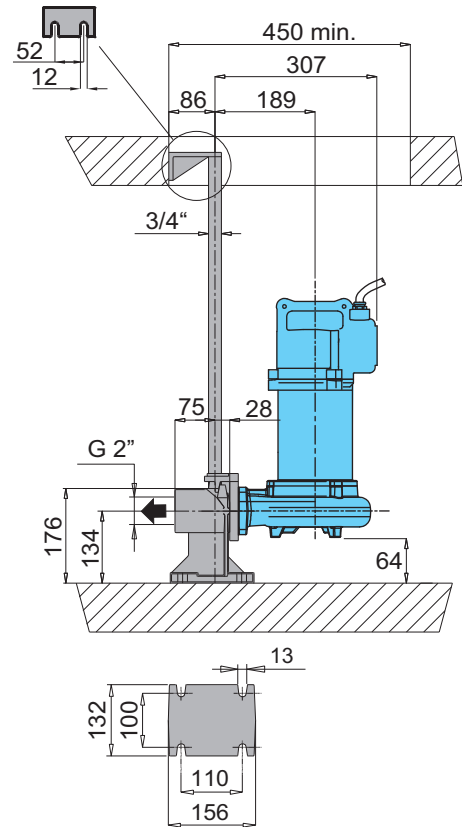
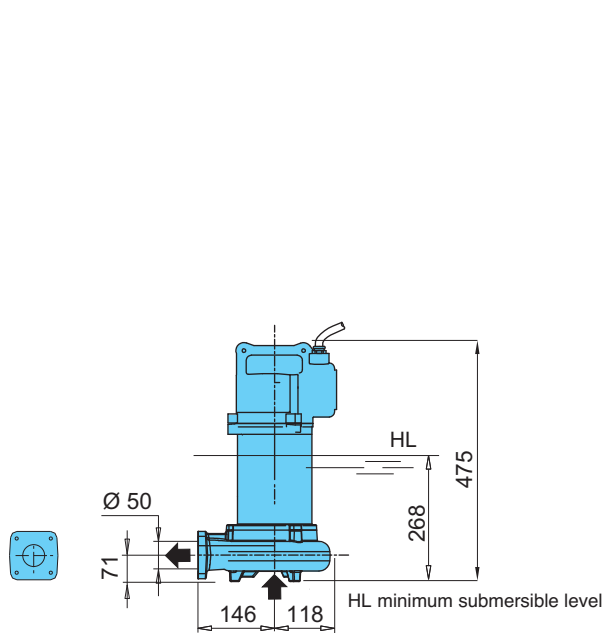


### Characteristic curves



### Dimensions and weights

#### GMC 30-50



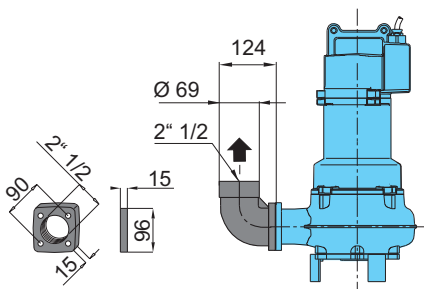
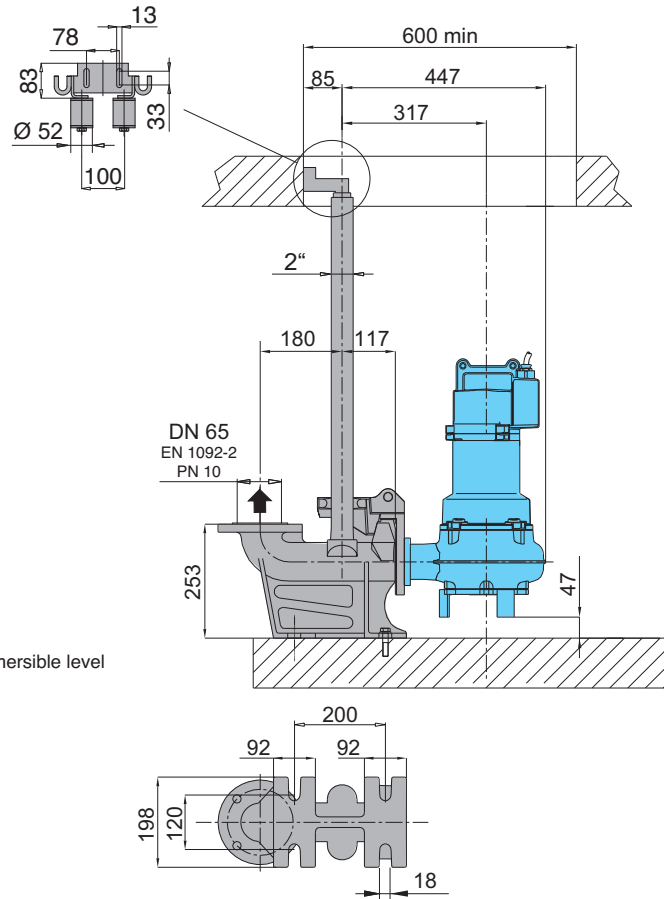
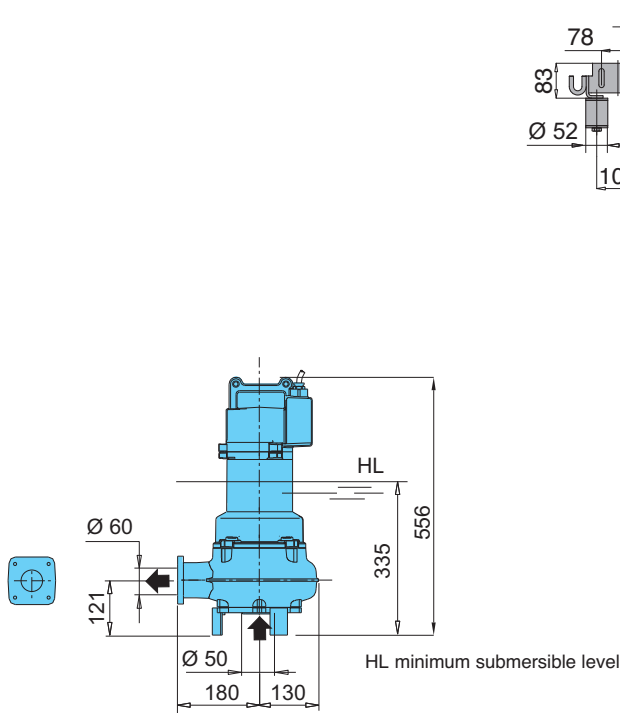
Version with threaded flange and 90° elbow

Version with duck foot coupling

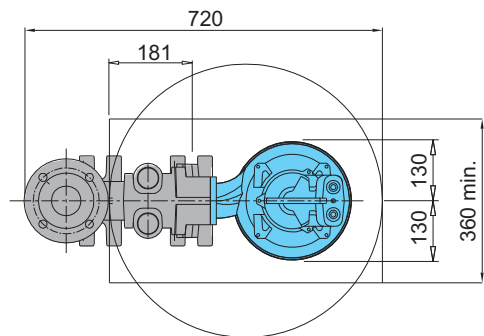
TYPE	Weight kg
GMCM 30-50B	31
GMC 30-50B	
GMC 30-50A	

### Dimensions and weights

#### GMC 40-65



Version with threaded flange and 90° elbow

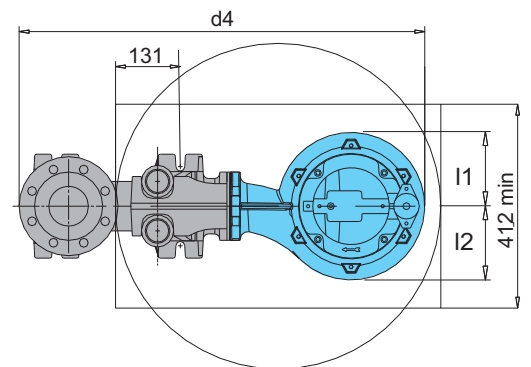
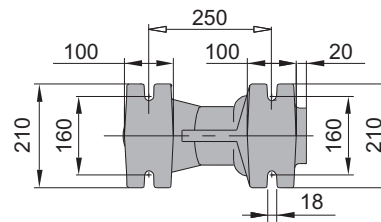
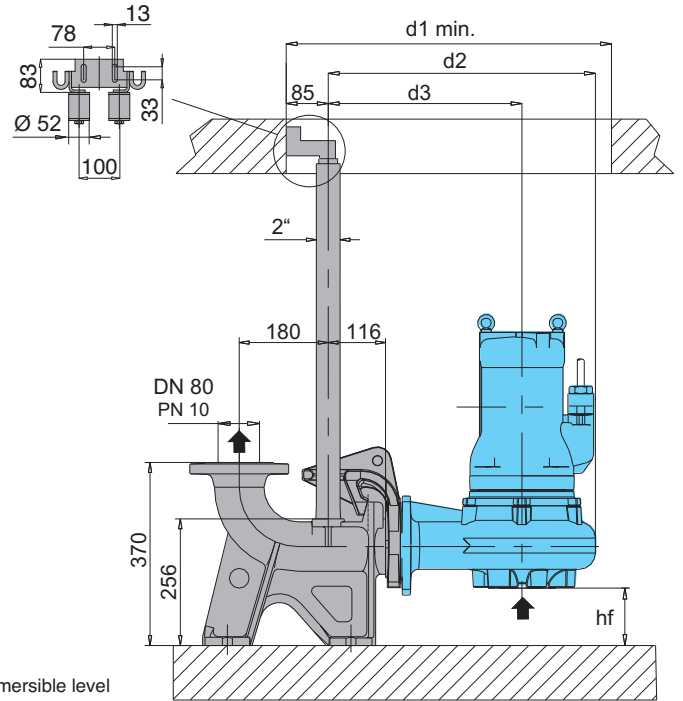
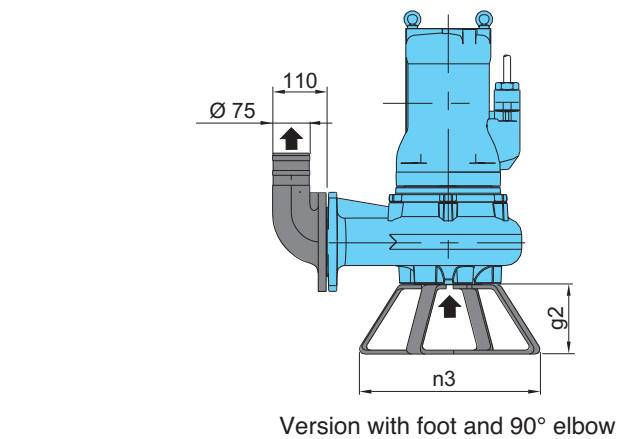
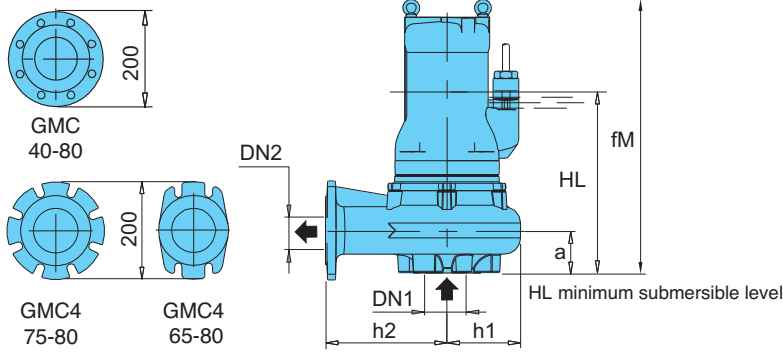


Version with duck foot coupling

TYPE	Weight kg
GMCM 40-65B	45
GMC 40-65B	
GMC 40-65A	

### Dimensions and weights

- GMC 40-80**
- GMC4M 65-80**
- GMC4 65-80**
- GMC4 75-80**

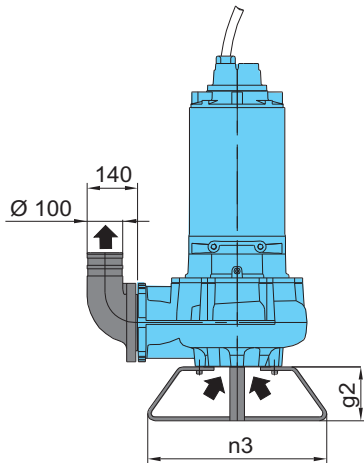
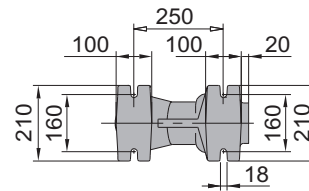
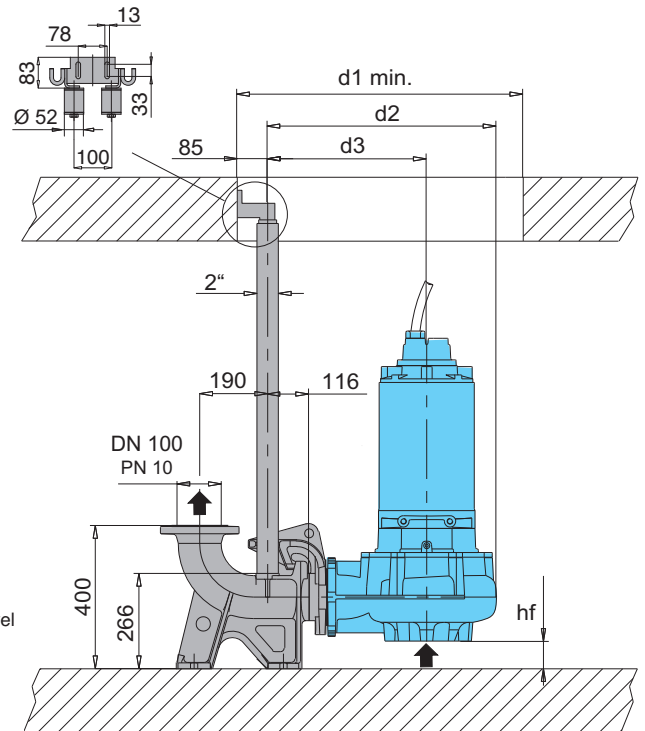
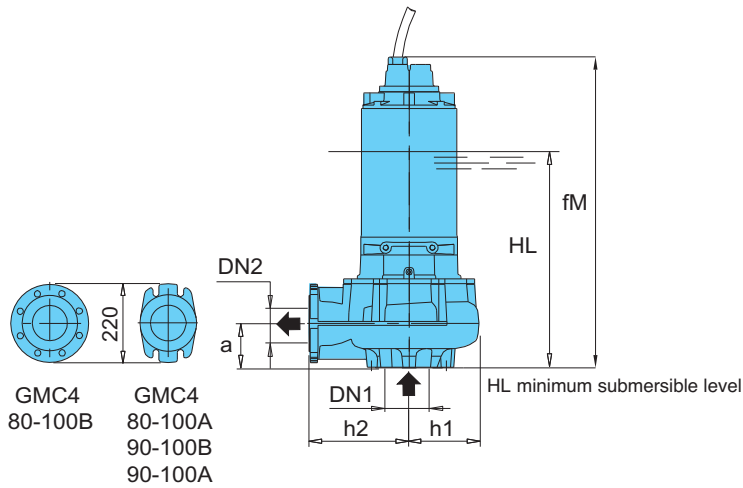


Version with duck foot coupling

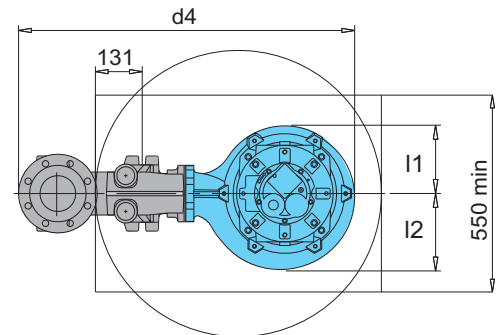
TYPE	EN 1092-2 PN 10		Dimensions mm														Weight kg
	DN1	DN2	fM	HL	hf	a	l1	l2	d1	d2	d3	d4	h1	h2	n3	g2	
GMC 40-80C/A	80	80	890	523	85	116	168	168	750	603	416	883	187	250	500	150	195
GMC 40-80B/A																	
GMC 40-80A/A																	
GMC4M 65-80C/A	80	80	533	330	104	100	132	132	658	498	366	775	132	200	364	140	49
GMC4 65-80C/A																	
GMC4 75-80A/A																	
GMC4 75-80A/A	80	80	516	380	80	121	143	169	700	548	396	828	152	250	364	140	67

### Dimensions and weights

#### GMC4 80-100 GMC4 90-100



Version with foot and 90° elbow



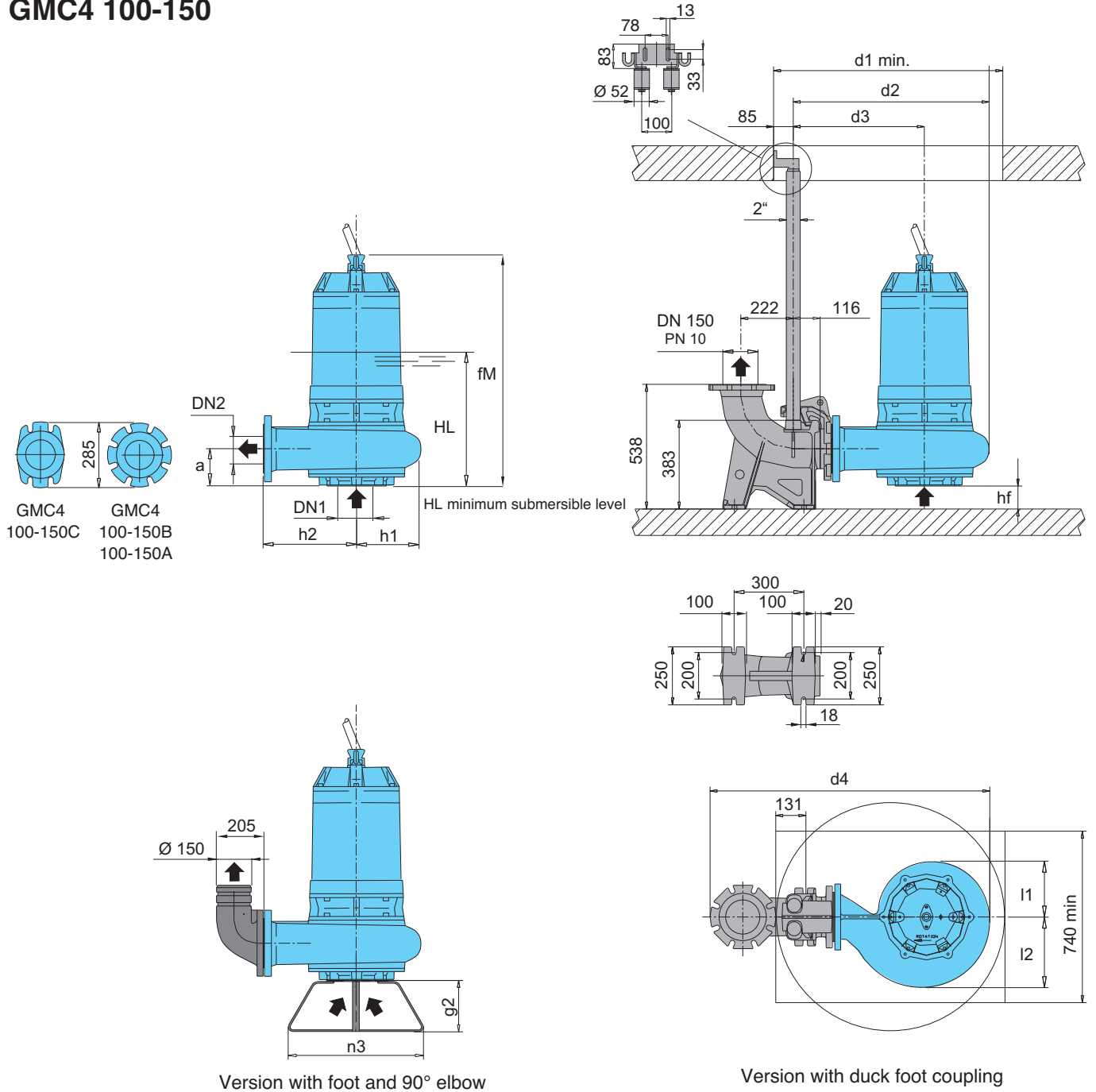
Version with duck foot coupling

TYPE	EN 1092-2 PN 10		Dimensions mm														Weight kg
	DN1	DN2	fM	HL	hf	a	l1	l2	d1	d2	d3	d4	h1	h2	n3	g2	
GMC4 80-100C/A GMC4 80-100B/A	125	100	597	420	62	138	180	231	850	673	466	973	207	300	500	150	117
GMC4 80-100A/A	125	100	852	520	54	147	189	212	800	640	445	940	195	279	500	150	170
GMC4 90-100B/A GMC4 90-100A/A	125	100	920	570	54	147	189	212	800	640	445	940	195	279	500	150	204



### Dimensions and weights

#### GMC4 100-150



TYPE	EN 1092-2 PN 10		Dimensions mm														Weight kg
	DN1	DN2	fM	HL	hf	a	l1	l2	d1	d2	d3	d4	h1	h2	n3	g2	
GMC4 100-150C/B	150	150	1013	630	80	180	239	304	990	840	566	1122	273	400	225	600	313
GMC4 100-150B/B	150	150	1273	660	80	180	239	304	990	840	566	1208	273	400	225	500	375
GMC4 100-150A/B																	



### Construction

Submersible pumps with channels impeller.  
Twin mechanical seal with oil chamber.  
Delivery connection DN 65-80-100-150-200-250-300.

### Applications

Suitable to pump slurry, sewage and waste water (non-corrosive) with solids in suspension.  
For industrial and residential installations and general drainage applications.  
They are ideal for applications with smaller solids.  
Solid passage from 30 to 140 mm

### Operating conditions

Liquid temperature up to 40 °C.  
Maximum immersion depth: 20 m (with suitable cable length).  
Continuous duty (with pump immersed at minimum level).

### Main materials

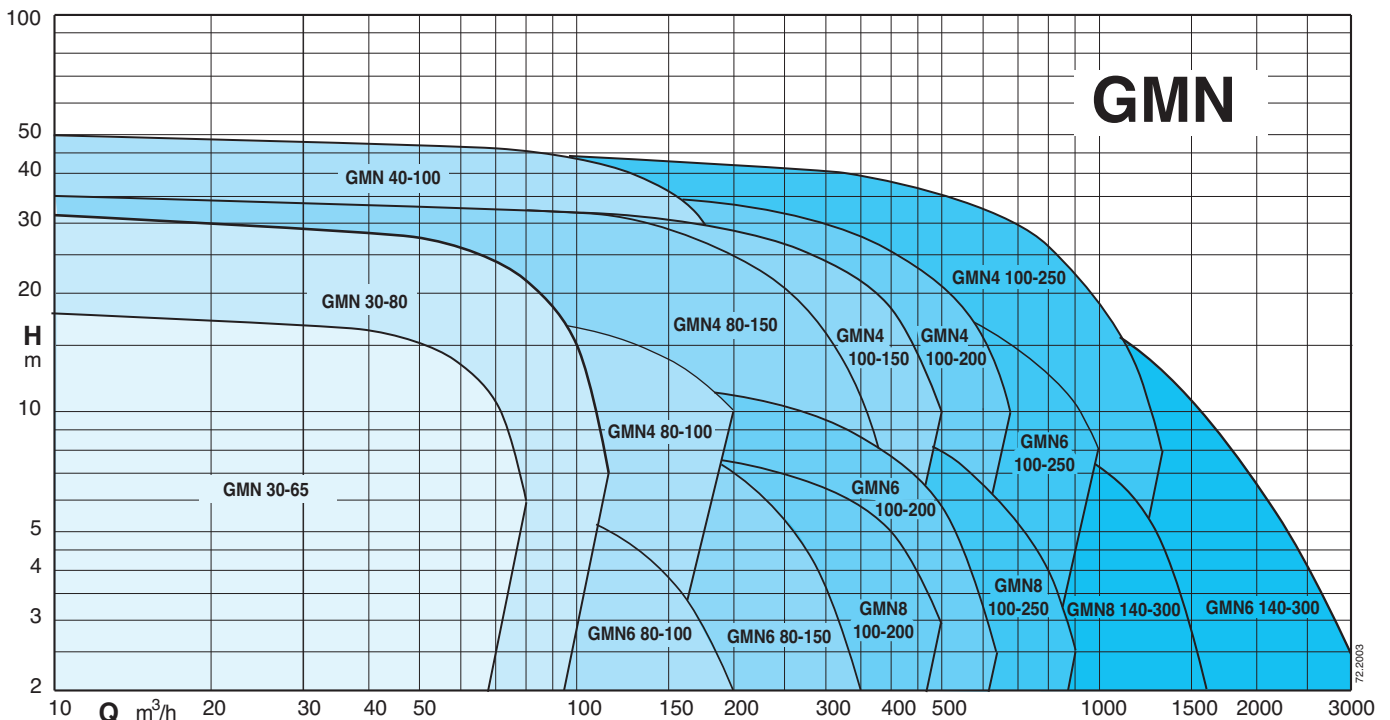
Pump casing: cast iron EN-GJL-250  
Impeller: cast iron EN-GJL-250+Ni  
Motor casing: cast iron EN-GJL-250  
Motor cover: cast iron EN-GJL-250  
Shaft: stainless steel AISI 420B  
Mechanical seal motor side: graphite/ceramic  
Mechanical seal pump side: silicon carbide/silicon carbide

### Motor


2-4-6 or 8 poles induction, 50Hz  
Three-phase version: 400V ± 10%,  
400/690V ± 10%

Insulation class: H  
Protection degree: IP 68  
N° of starting x hour: max 15 with regular intervals  
Cable: H07RN-F, length 10 m  
Other models: contact our sale office  
**Classification scheme IE3.**

### Coverage chart



### Technical data

TYPE	P <sub>2</sub> kW	I <sub>N</sub> A	Power Supply	r.p.m.	Starting	DN mm	Free passage Ø mm	Thermal protector	Humidity probe	 ATEX Eex
GMN 30-65B/A	3,1	5,8	3~ 400V	2850	D.O.L.	65	30	NO	NO	✓
GMN 30-65A/A	3,6	6,6	3~ 400V	2850	D.O.L.	65	30	NO	NO	✓
GMN 30-80B/A	5	9,1	3~ 400/690V	2850	Y/Δ	80	30	●	●	✓
GMN 30-80A/A	6	10,9	3~ 400/690V	2850	Y/Δ	80	30	●	●	✓
GMN 30-80S/A	7,5	13,5	3~ 400/690V	2850	Y/Δ	80	30	●	●	✓
GMN 40-100D/A	12	21,7	3~ 400/690V	2850	Y/Δ	100	40	●	●	✓
GMN 40-100C/A	14,9	26,8	3~ 400/690V	2850	Y/Δ	100	40	●	●	✓
GMN 40-100B/A	16,6	29,8	3~ 400/690V	2850	Y/Δ	100	40	●	●	✓
GMN 40-100S/A	20	35,8	3~ 400/690V	2850	Y/Δ	100	40	●	●	✓
GMN4 80-100D/A	4,6	9,3	3~ 400/690V	1450	Y/Δ	100	80	●	●	✓
GMN4 80-100C/A	7,5	14,3	3~ 400/690V	1450	Y/Δ	100	80	●	●	✓
GMN4 80-100A/A	10	19	3~ 400/690V	1450	Y/Δ	100	80	●	●	✓
GMN6 80-100B/A	2,7	5,8	3~ 400V	950	D.O.L.	100	80	NO	NO	✓
GMN6 80-100A/A	2,8	6	3~ 400/690V	950	Y/Δ	100	80	●	●	✓
GMN6 80-150B/A	6	12	3~ 400/690V	950	Y/Δ	150	80	●	●	✓
GMN6 80-150A/A	8	15,8	3~ 400/690V	950	Y/Δ	150	80	●	●	✓
GMN6 100-150B/B	14	26,2	3~ 400/690V	950	Y/Δ	150	100	●	●	✓
GMN6 100-150A/B	12	22,9	3~ 400/690V	950	Y/Δ	150	100	●	●	✓
GMN4 80-150C/B	27	49,6	3~ 400/690V	1450	Y/Δ	150	80	●	●	✓
GMN4 80-150B/B	30	54,3	3~ 400/690V	1450	Y/Δ	150	80	●	●	✓
GMN4 100-150G/A	23	42,2	3~ 400/690V	1450	Y/Δ	150	100	●	●	✓
GMN4 100-150F/A	27	49,6	3~ 400/690V	1450	Y/Δ	150	100	●	●	✓
GMN4 100-150E/B	30	54,3	3~ 400/690V	1450	Y/Δ	150	100	●	●	✓
GMN4 100-150D/B	30	54,3	3~ 400/690V	1450	Y/Δ	150	100	●	●	✓
GMN4 100-150S/B	35,7	63,6	3~ 400/690V	1450	Y/Δ	150	100	●	●	✓
GMN4 100-200C/A	40	71,3	3~ 400/690V	1450	Y/Δ	200	100	●	●	✓
GMN4 100-200B/A	44	78,1	3~ 400/690V	1450	Y/Δ	200	100	●	●	✓
GMN4 100-200A/A	48	85,2	3~ 400/690V	1450	Y/Δ	200	100	●	●	✓
GMN4 100-250D/A	65	109,7	3~ 400/690V	1450	Y/Δ	250	100	●	●	✓
GMN4 100-250C/A	75	126,3	3~ 400/690V	1450	Y/Δ	250	100	●	●	✓
GMN4 100-250B/A	75	126,3	3~ 400/690V	1450	Y/Δ	250	100	●	●	✓
GMN4 100-250A/A	85	143,2	3~ 400/690V	1450	Y/Δ	250	100	●	●	✓
GMN6 100-200E/B	14	26,2	3~ 400/690V	950	Y/Δ	200	100	●	●	✓
GMN6 100-200D/B	14	26,2	3~ 400/690V	950	Y/Δ	200	100	●	●	✓
GMN6 100-250D/A	23	40,6	3~ 400/690V	950	Y/Δ	250	100	●	●	✓
GMN6 100-250C/A	29	52,8	3~ 400/690V	950	Y/Δ	250	100	●	●	✓
GMN6 100-250B/A	39,2	71	3~ 400/690V	950	Y/Δ	250	100	●	●	✓
GMN6 100-250A/A	39,2	71	3~ 400/690V	950	Y/Δ	250	100	●	●	✓
GMN6 140-300D/A	33,4	60,8	3~ 400/690V	950	Y/Δ	300	140	●	●	✓
GMN6 140-300C/A	39,2	71	3~ 400/690V	950	Y/Δ	300	140	●	●	✓
GMN6 140-300B/A	55,8	99	3~ 400/690V	950	Y/Δ	300	140	●	●	✓
GMN6 140-300A/A	65	115,3	3~ 400/690V	950	Y/Δ	300	140	●	●	✓
GMN8 100-200B/C	9,3	19,8	3~ 400/690V	750	Y/Δ	200	100	●	●	✓
GMN8 100-200A/A	9,3	19,8	3~ 400/690V	750	Y/Δ	200	100	●	●	✓
GMN8 100-250B/B	12,4	26,5	3~ 400/690V	750	Y/Δ	250	100	●	●	✓
GMN8 100-250A/C	19	39	3~ 400/690V	750	Y/Δ	250	100	●	●	✓
GMN8 140-300A/A	26,7	53,5	3~ 400/690V	750	Y/Δ	300	140	●	●	✓

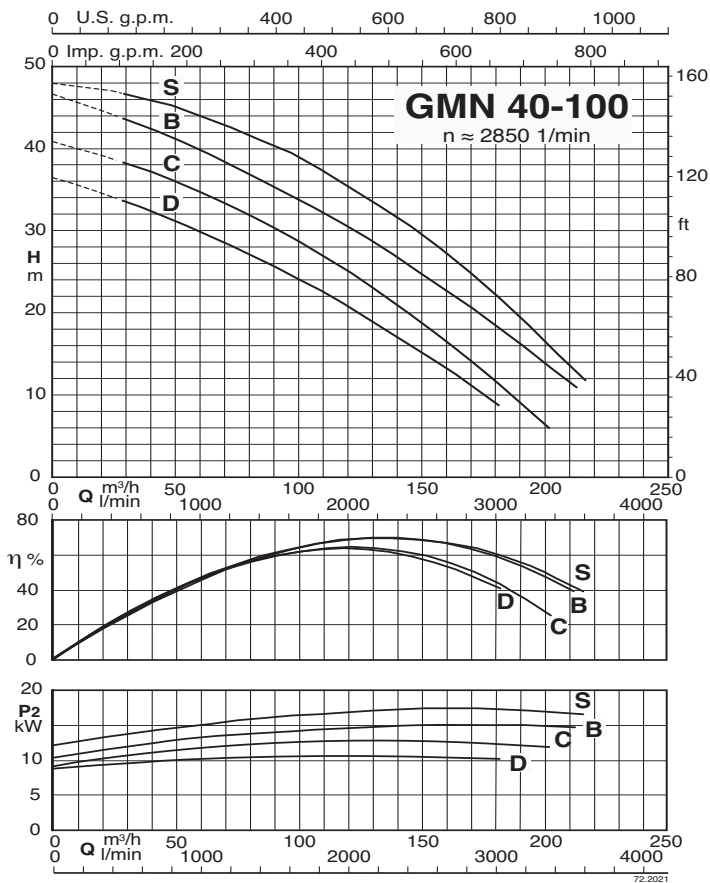
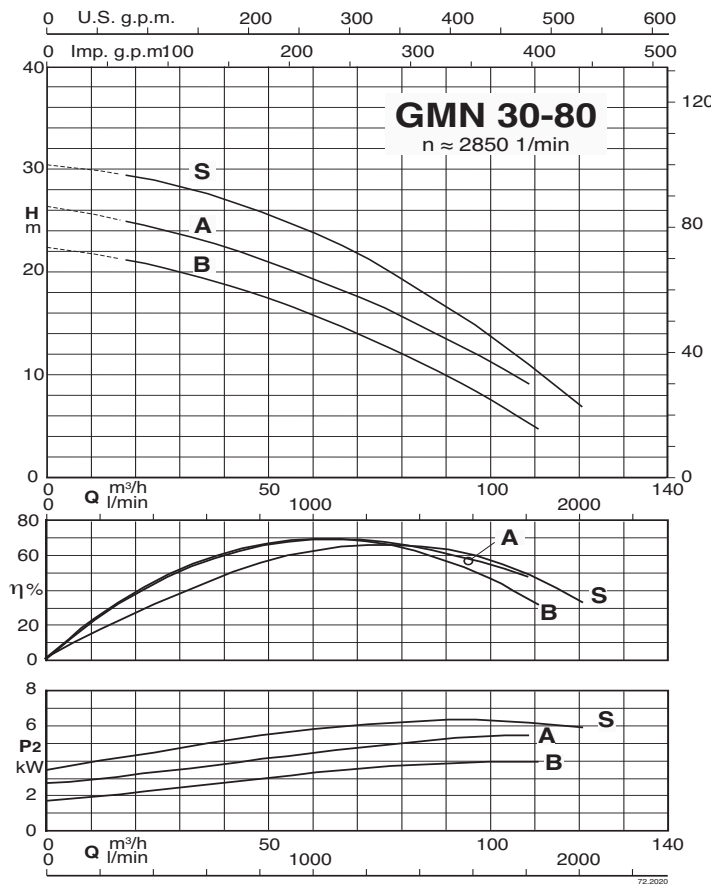
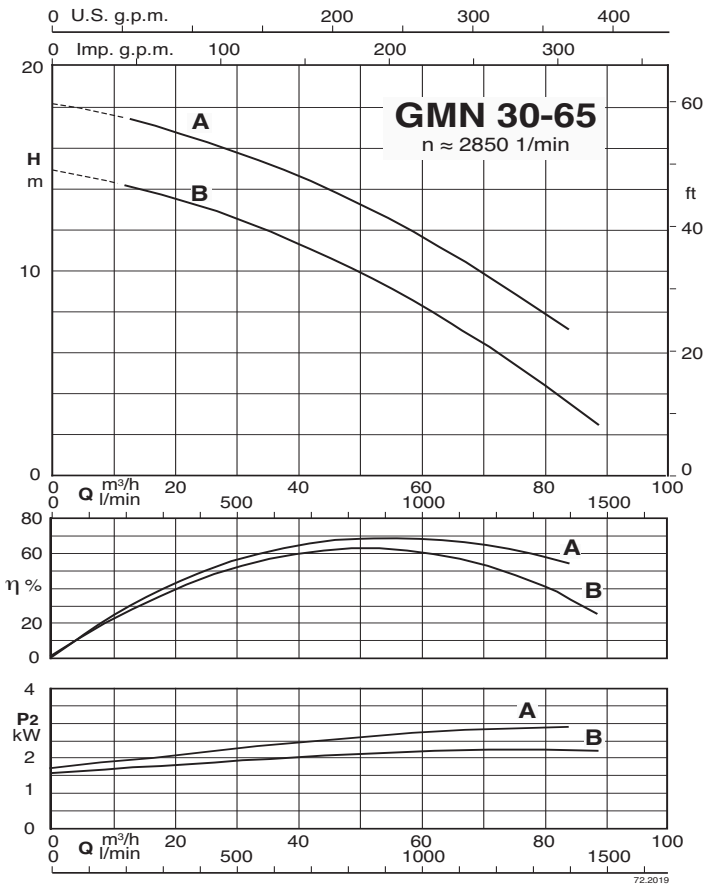
P<sub>2</sub> Rated power output

I<sub>N</sub> Rated current

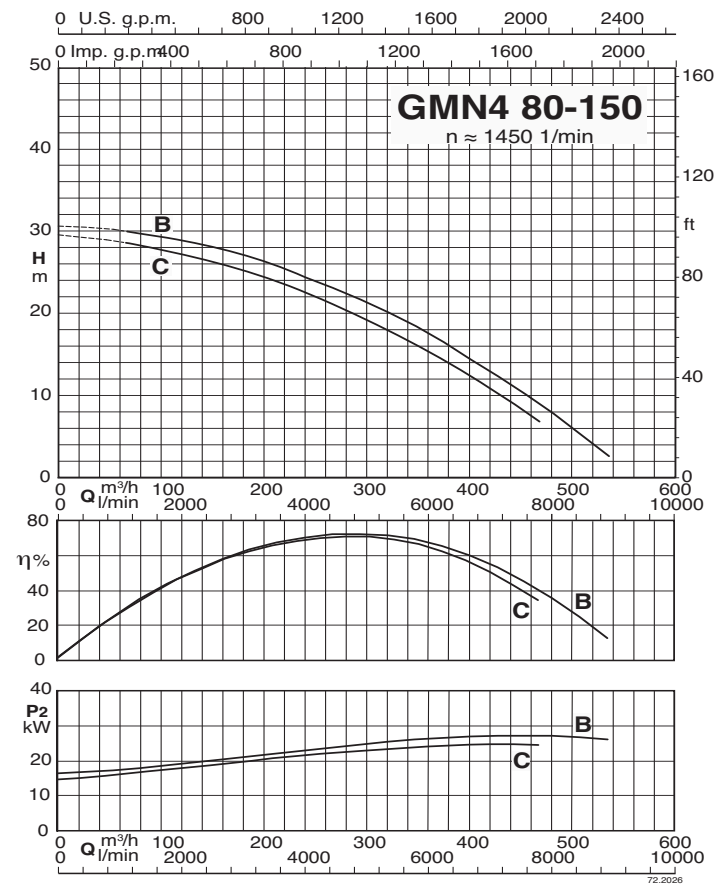
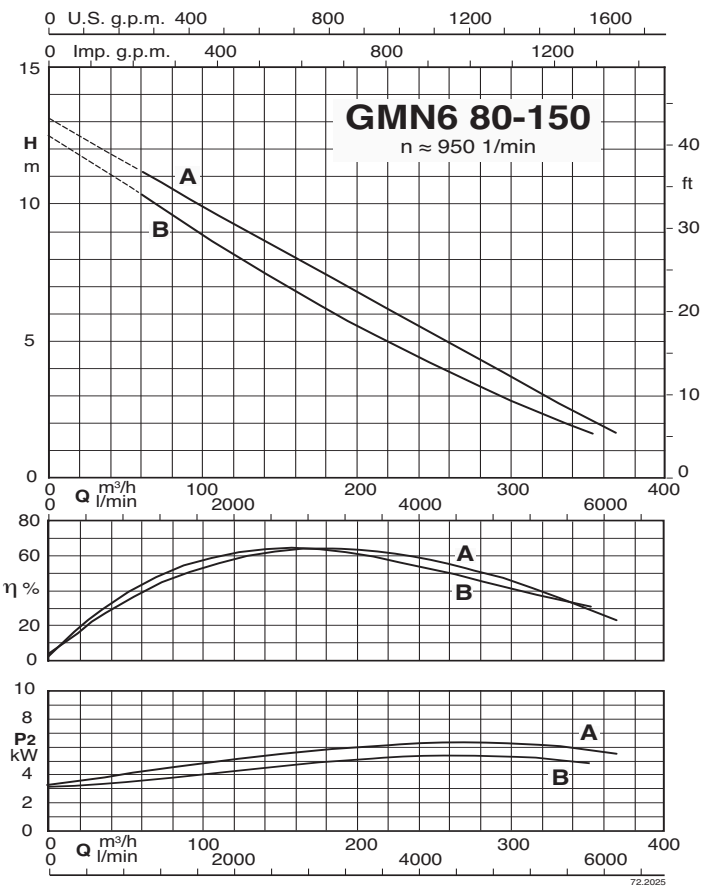
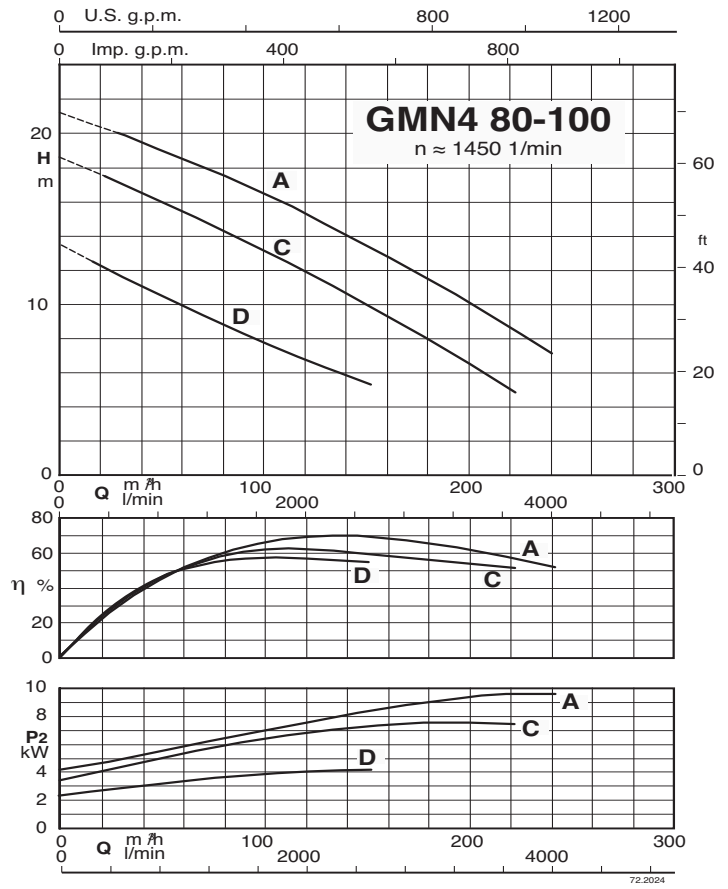
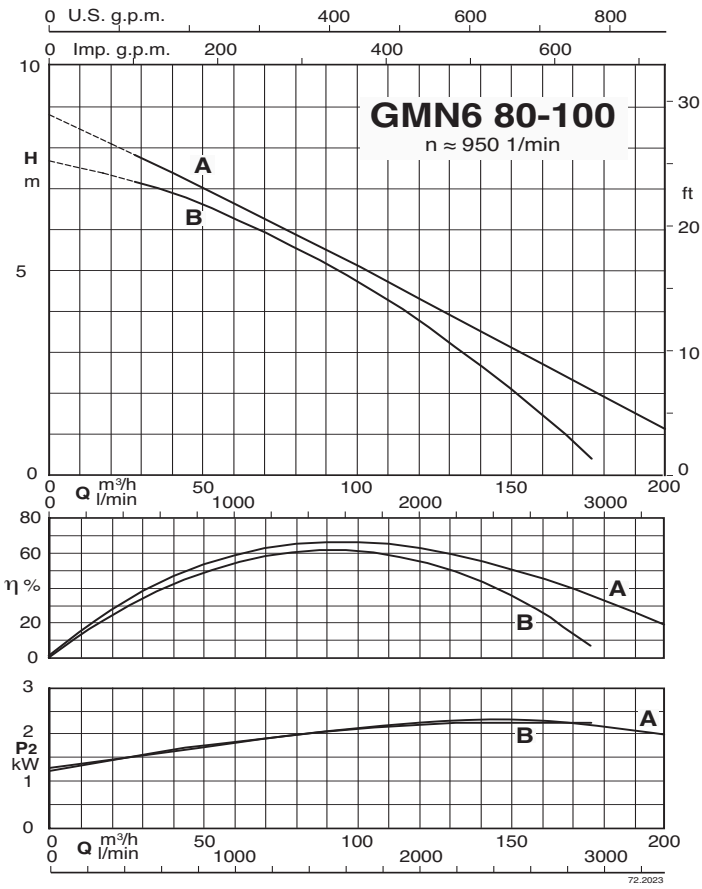
● Standard

✓ ATEX Eex Version on demand

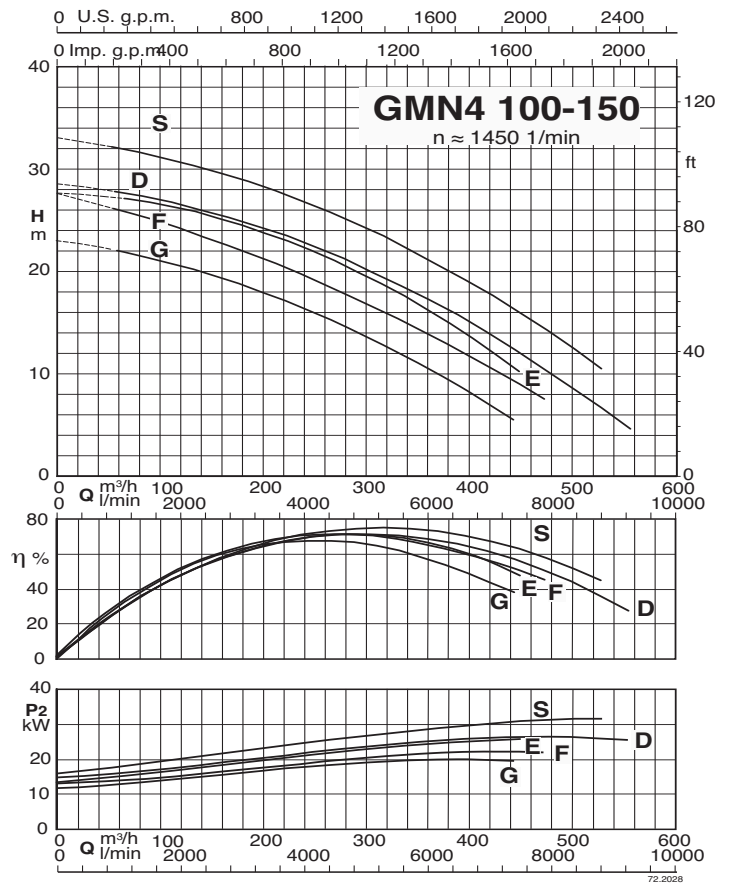
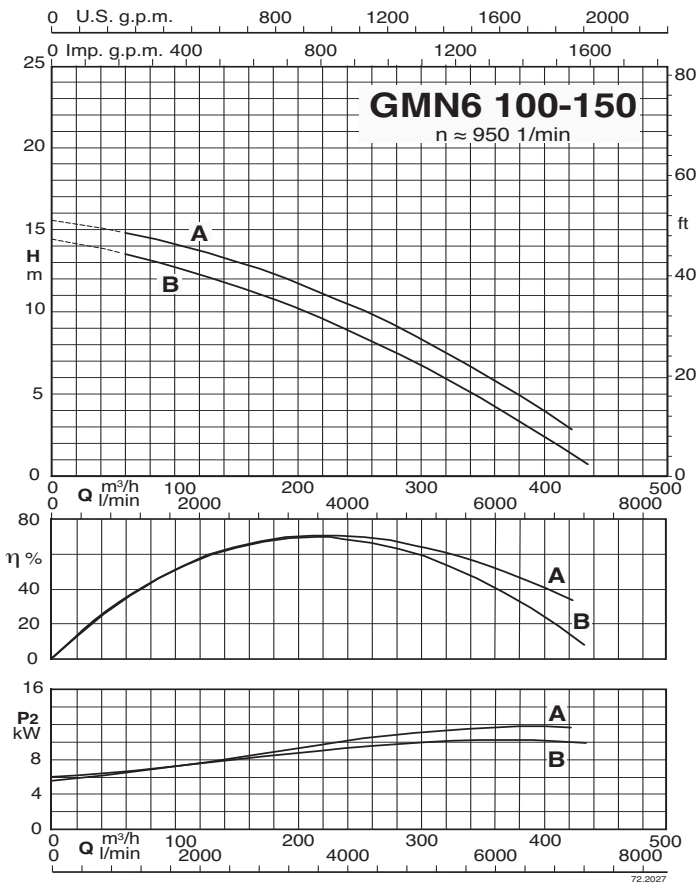
### Characteristic curves



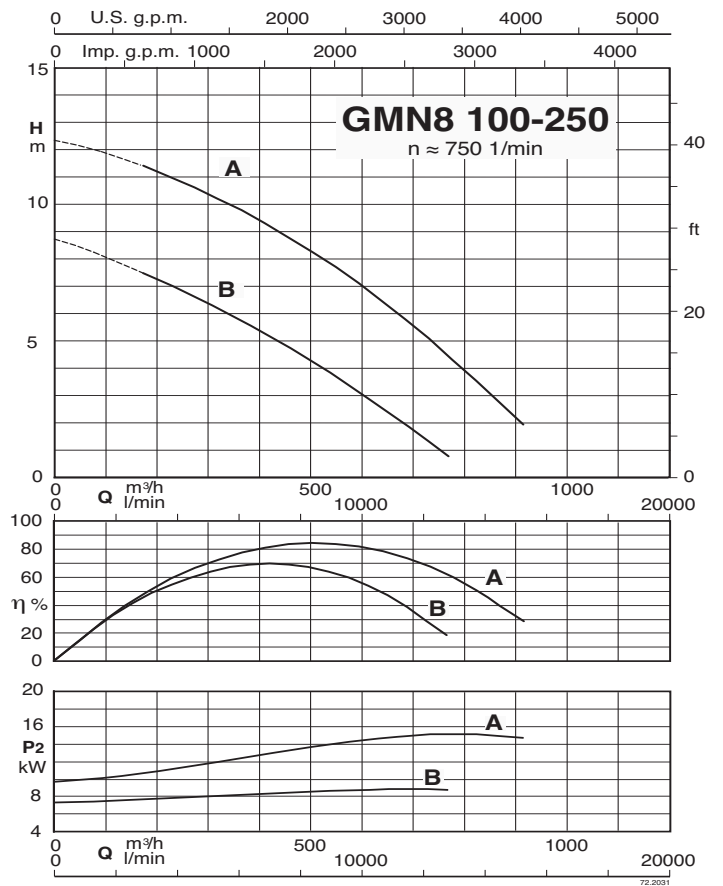
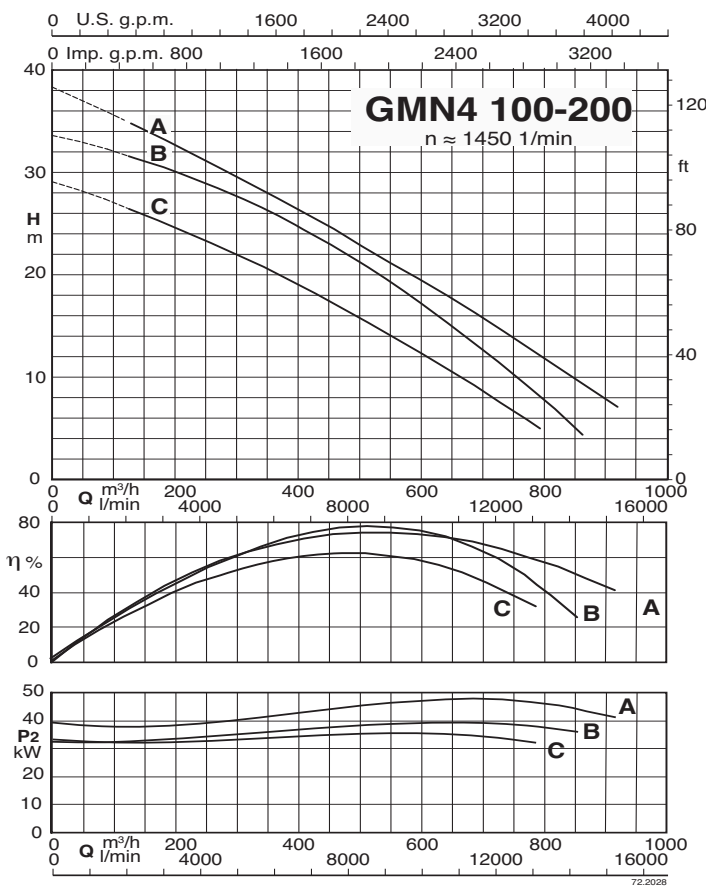
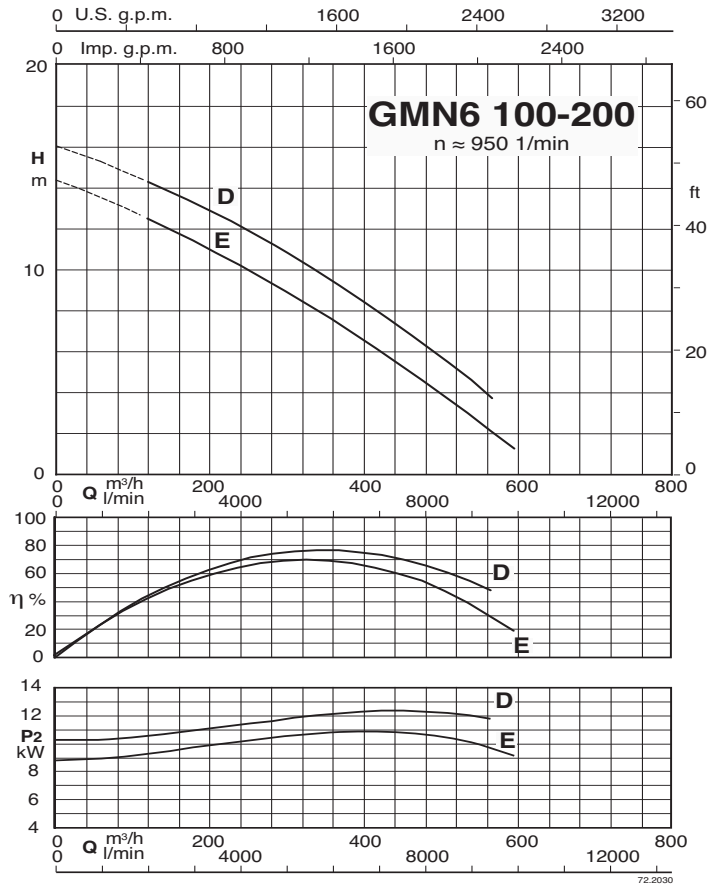
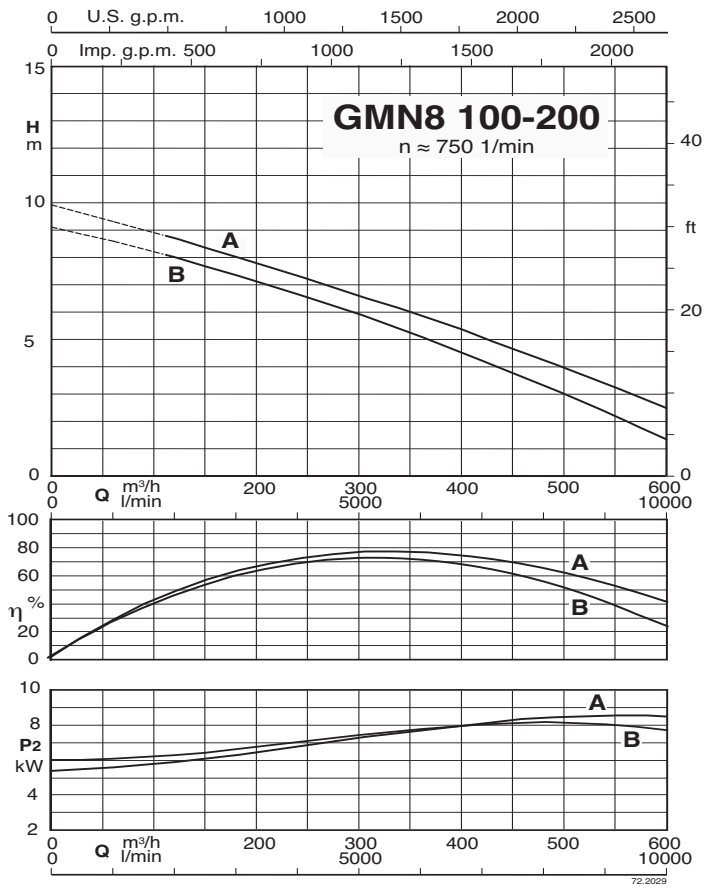
### Characteristic curves



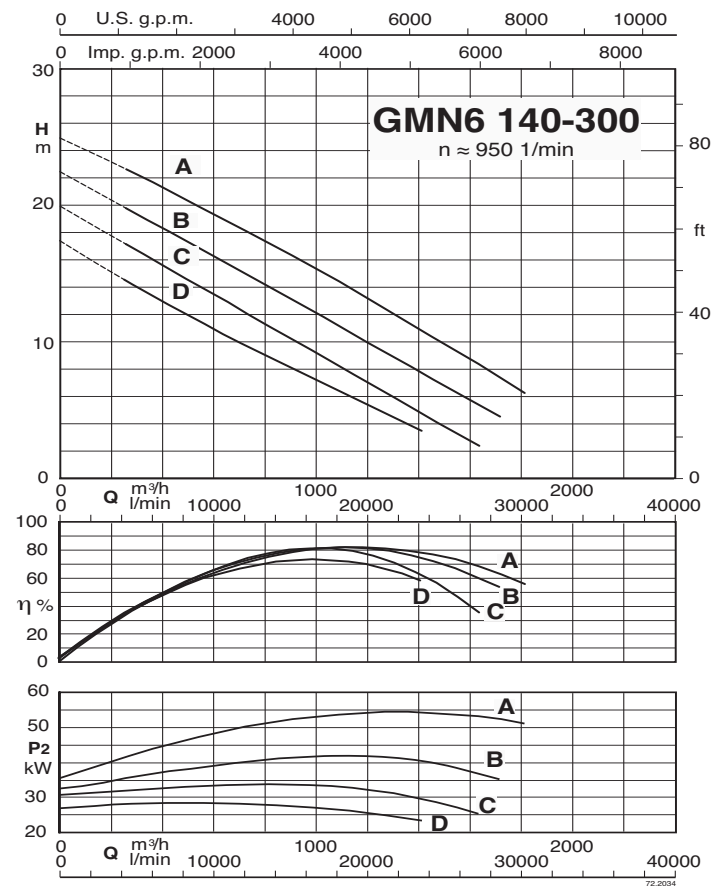
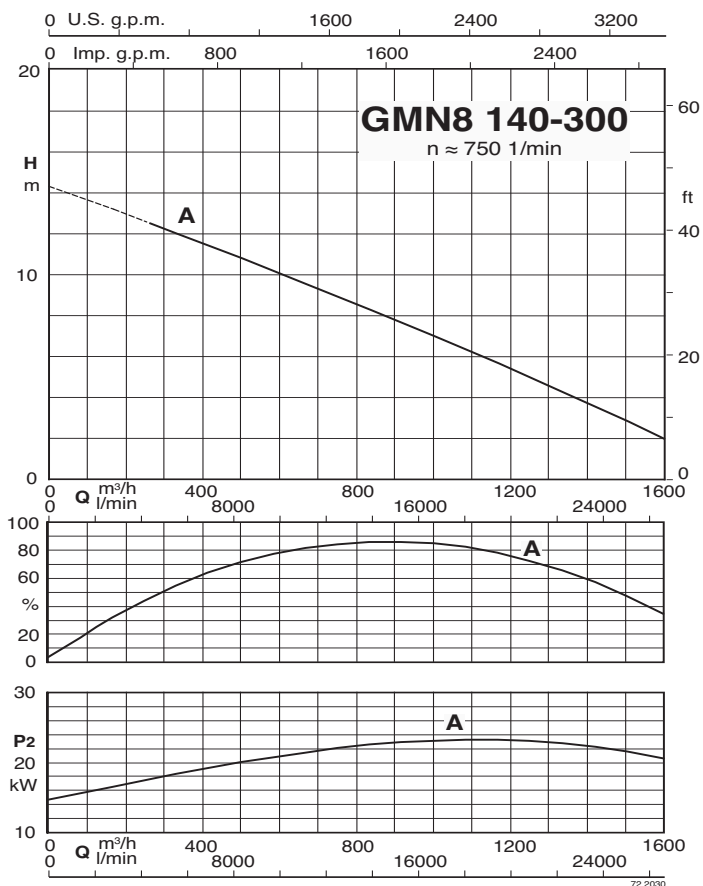
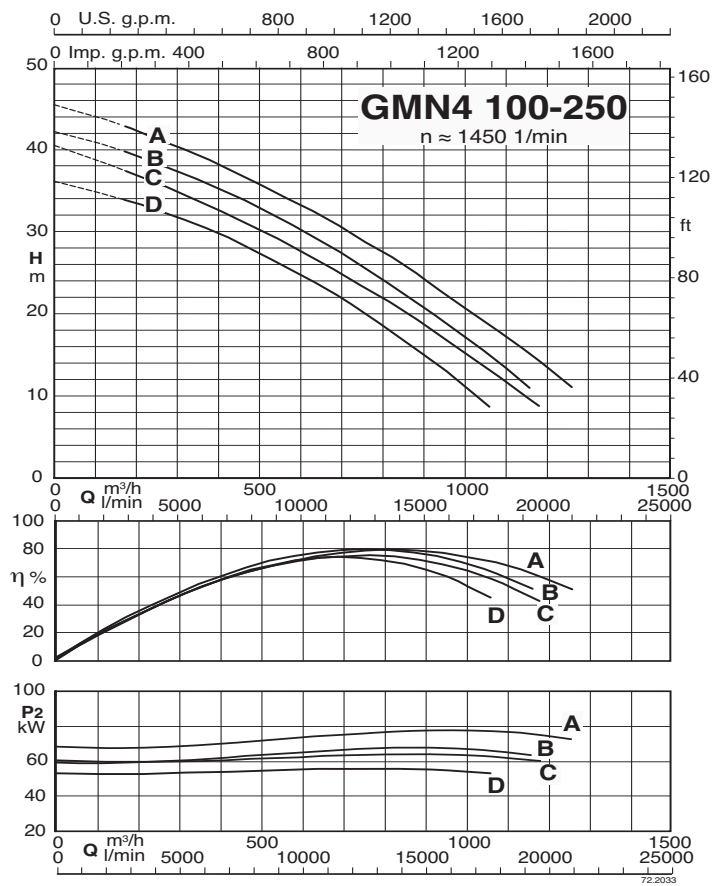
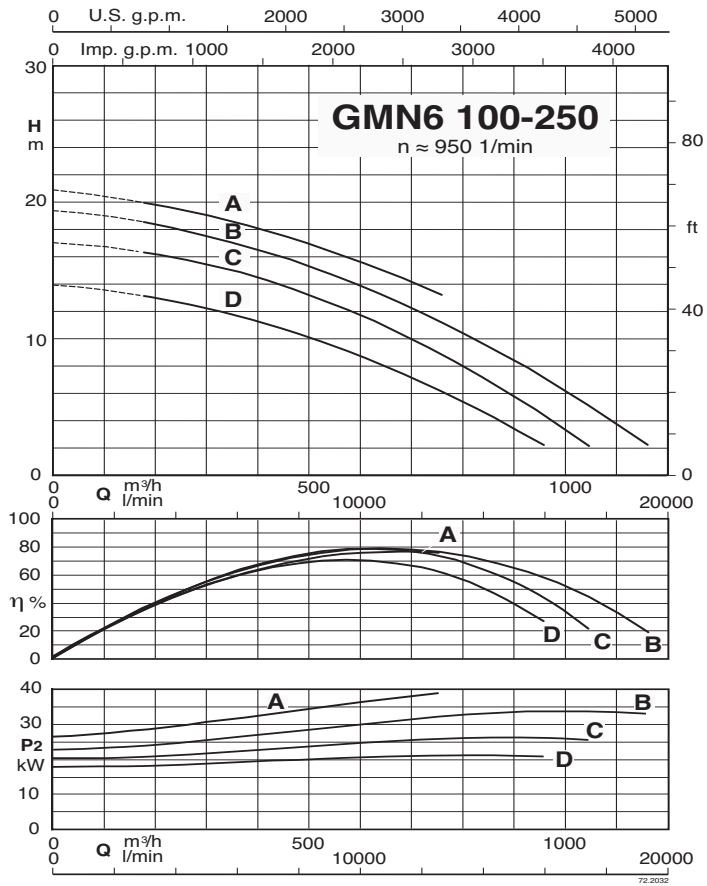
### Characteristic curves



### Characteristic curves



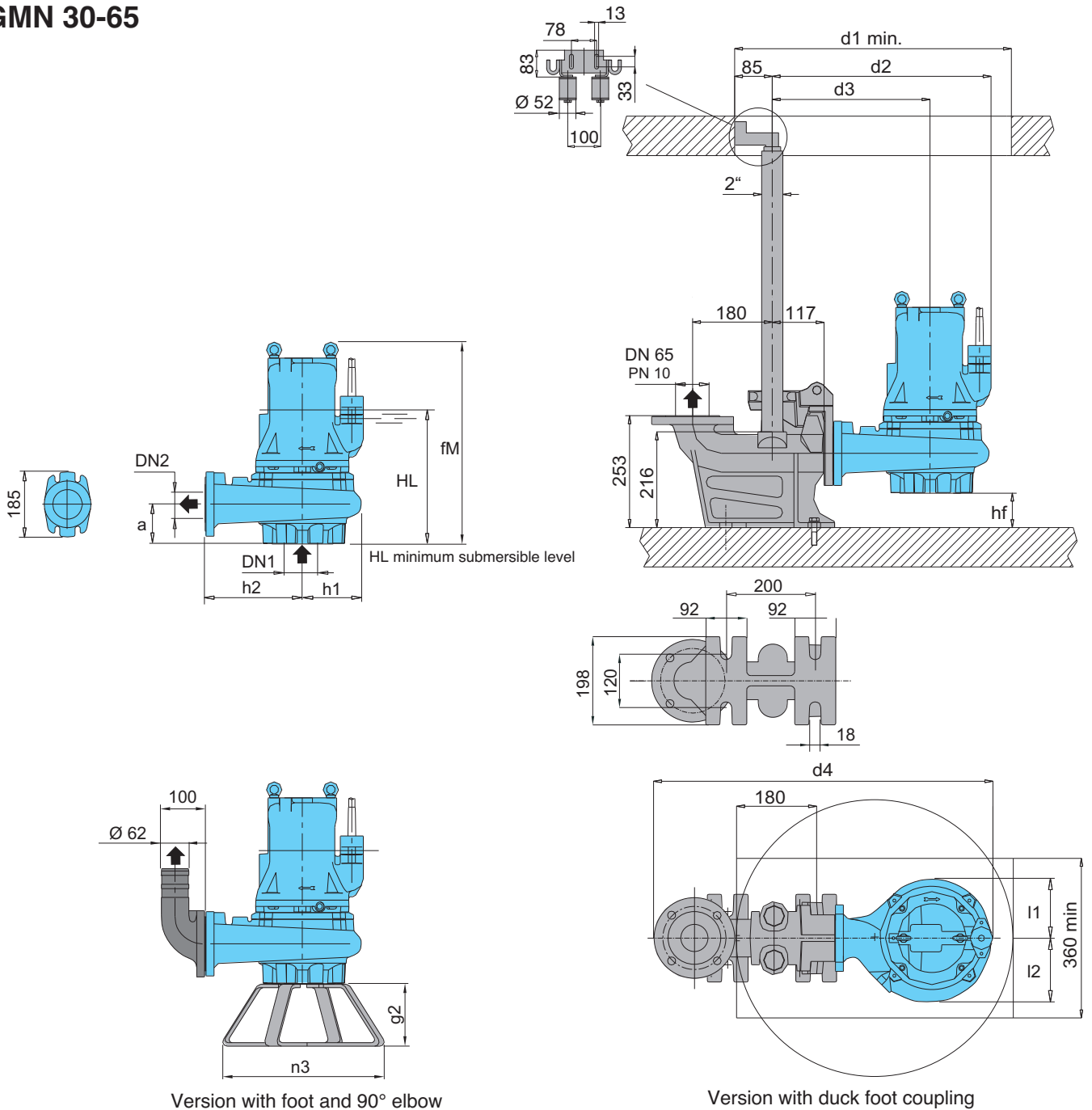
### Characteristic curves





### Dimensions and weights

#### GMN 30-65



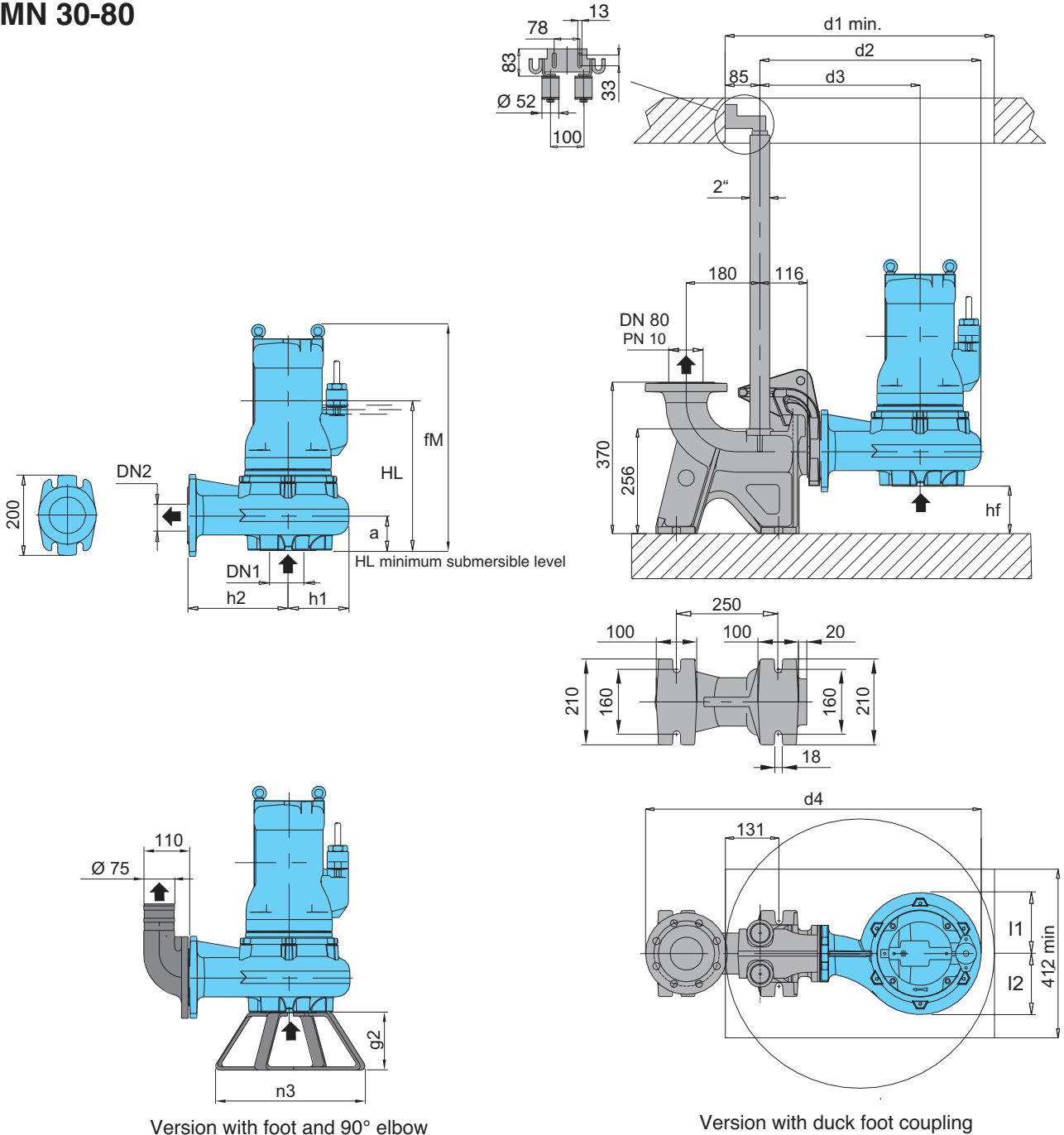
Version with foot and 90° elbow

Version with duck foot coupling

TYPE	EN 1092-2 PN 10		Dimensions mm														Weight kg
	DN1	DN2	fM	HL	hf	a	l1	l2	d1	d2	d3	d4	h1	h2	n3	g2	
GMN 30-65B/A	80	65	456	300	78	90	133	145	625	495	357	767	138	220	364	140	62
GMN 30-65A/A																	

### Dimensions and weights

#### GMN 30-80



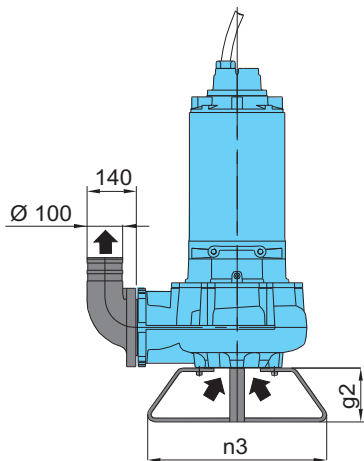
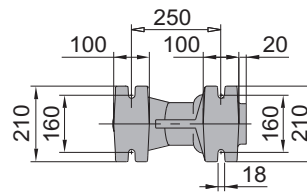
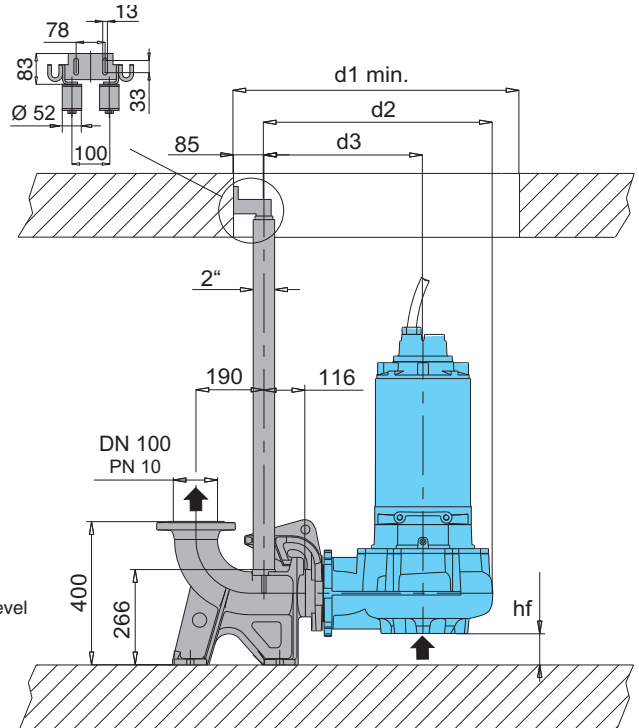
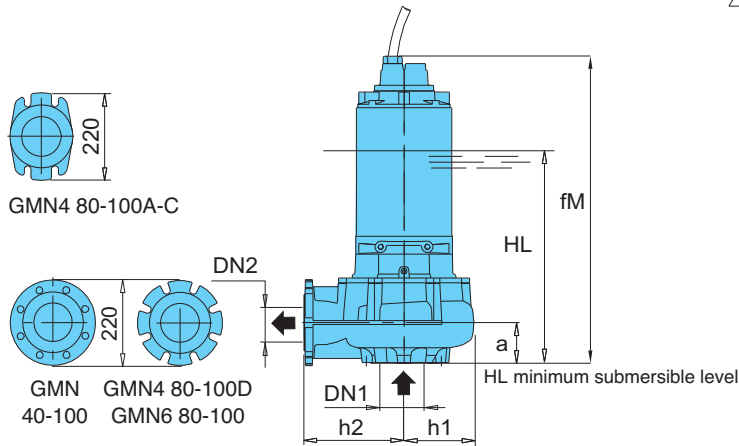
Version with foot and 90° elbow

Version with duck foot coupling

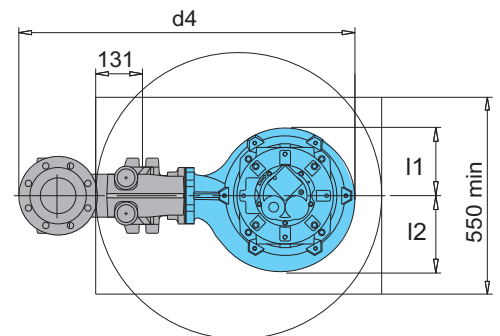
TYPE	EN 1092-2 PN 10		Dimensions mm														Weight kg
	DN1	DN2	fM	HL	hf	a	l1	l2	d1	d2	d3	d4	h1	h2	n3	g2	
GMN 30-80B/A	80	80	515	330	110	90	133	145	700	511	366	791	145	220	370	140	75
GMN 30-80A/A	80	80	515	330	110	90	133	145	700	511	366	791	145	220	370	140	75
GMN 30-80S/A	100	80	767	438	132	68	165	165	700	571	386	851	185	220	500	150	150

### Dimensions and weights

**GMN 40-100**  
**GMN 50-100**  
**GMN4 80-100**  
**GMN6 80-100**



Version with foot and 90° elbow

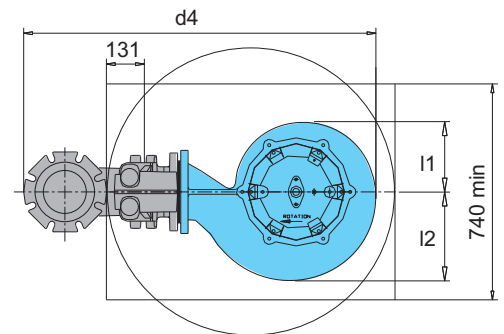
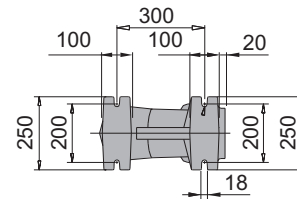
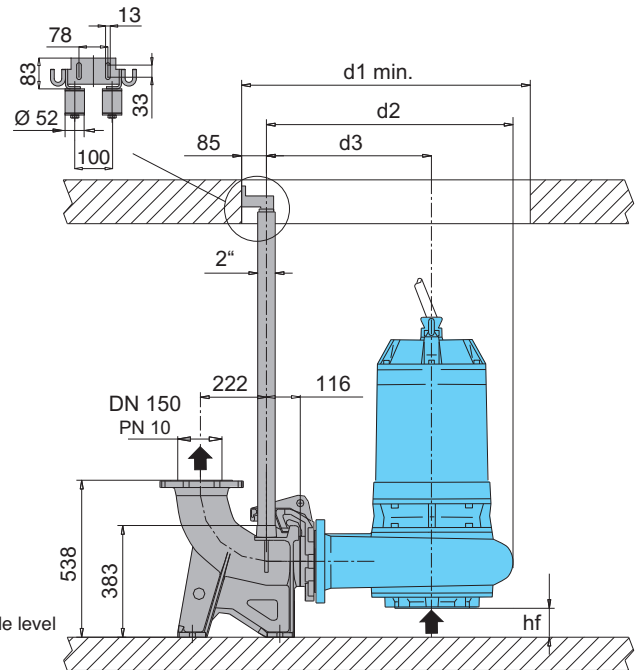
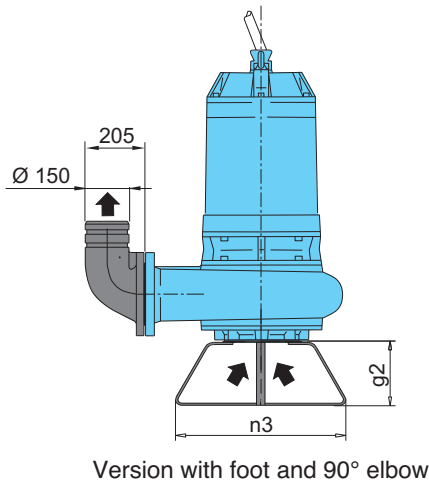
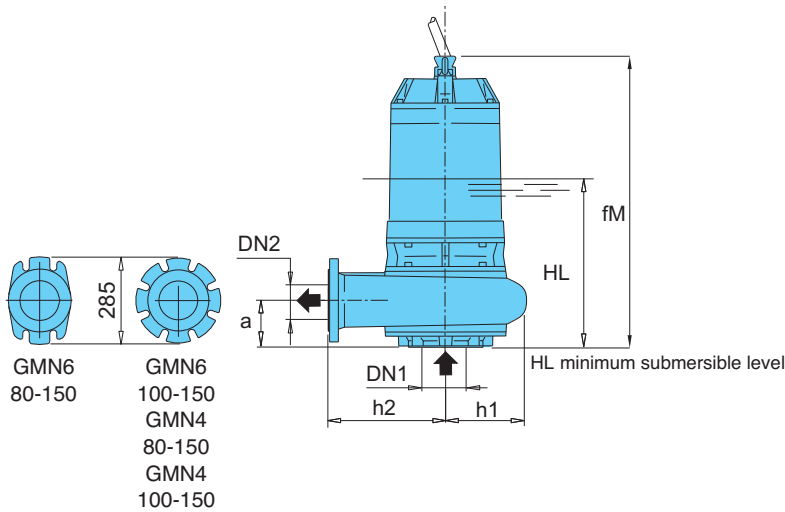


Version with duck foot coupling

TYPE	EN 1092-2 PN 10		Dimensions mm														Weight kg
	DN1	DN2	fM	HL	hf	a	l1	l2	d1	d2	d3	d4	h1	h2	n3	g2	
GMN 40-100D/A	125	100	794	480	127	73	168	184	750	628	441	928	187	275	500	150	206
GMN 40-100C/A			794	480	127	73	168	184	750	628	441	928	187	275	500	150	206
GMN 40-100B/A			794	480	127	73	168	184	750	628	441	928	187	275	500	150	206
GMN 40-100S/A	125	100	1269	570	127	73	193	193	800	628	441	928	187	275	500	150	340
GMN4 80-100D/A	125	100	597	424	62	138	180	231	850	673	466	973	207	300	500	150	115
GMN4 80-100C/A	125	100	852	526	54	147	189	212	800	640	445	940	195	279	500	150	175
GMN4 80-100A/A	125	100	920	570	54	147	189	212	800	640	445	940	195	279	500	150	205
GMN6 80-100B/A	125	100	531	372	62	138	180	231	850	673	466	973	207	300	500	150	96
GMN6 80-100A/A			597	424													114

### Dimensions and weights

GMN6 80-150  
 GMN6 100-150  
 GMN4 80-150  
 GMN4 100-150

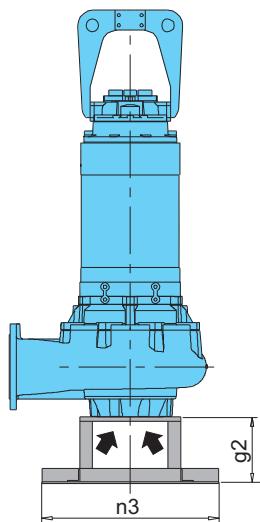
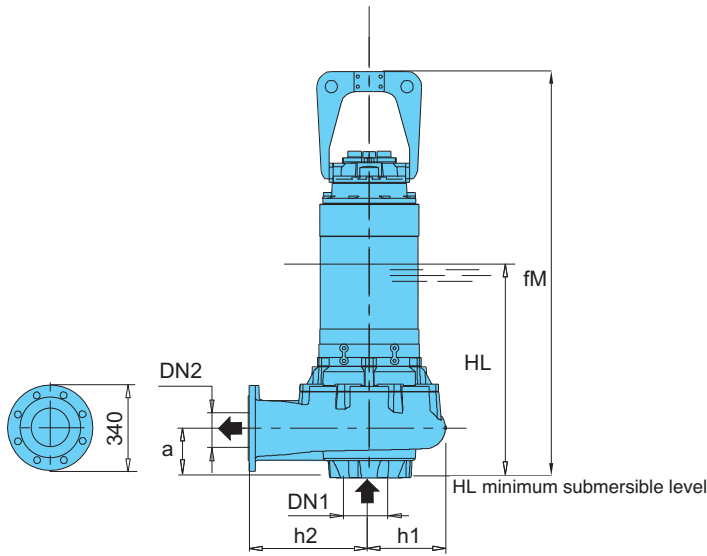


Version with duck foot coupling

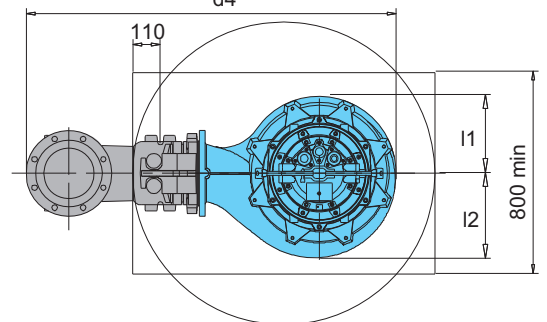
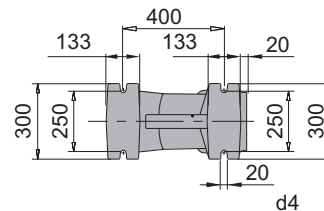
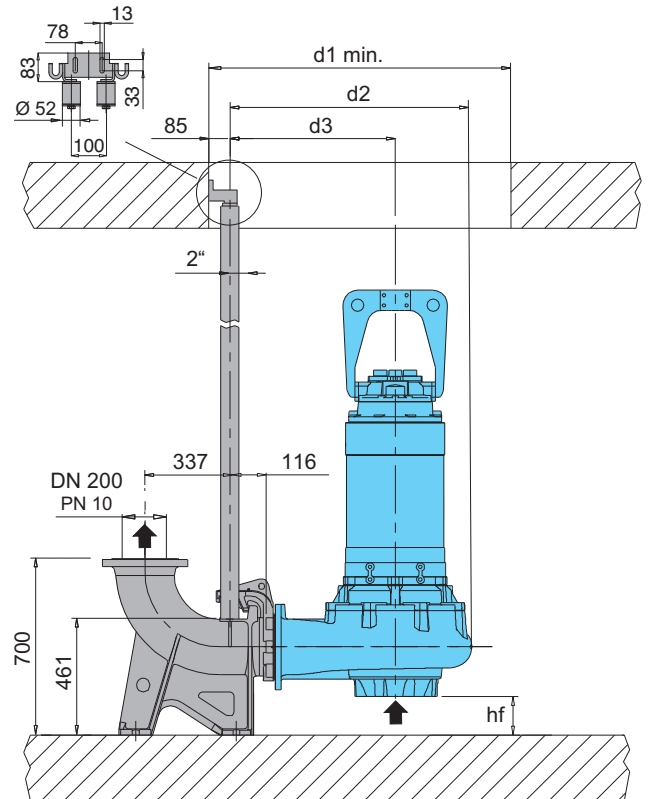
TYPE	EN 1092-2 PN 10		Dimensions mm														Weight kg
	DN1	DN2	fM	HL	hf	a	l1	l2	d1	d2	d3	d4	h1	h2	n3	g2	
GMN6 80-150B/A	150	150	820	540	113	147	191	223	850	673	467	1038	206	301	600	225	190
GMN6 80-150A/A			933	580													
GMN6 100-150B/B	150	150	1274	737	80	180	239	304	990	840	566	1208	273	400	500	225	382
GMN6 100-150A/B																	
GMN4 80-150C/B	150	150	1409	737	80	180	239	304	990	840	566	1208	273	400	500	225	450
GMN4 80-150B/B			1439	742													
GMN4 100-150G/A	150	150	1409	737	80	180	239	304	990	840	566	1208	273	400	500	225	430
GMN4 100-150F/A																	
GMN4 100-150E/B																	
GMN4 100-150D/B																	
GMN4 100-150S/B																	

### Dimensions and weights

**GMN4 100-200**  
**GMN6 100-200**  
**GMN8 100-200**



Version with foot

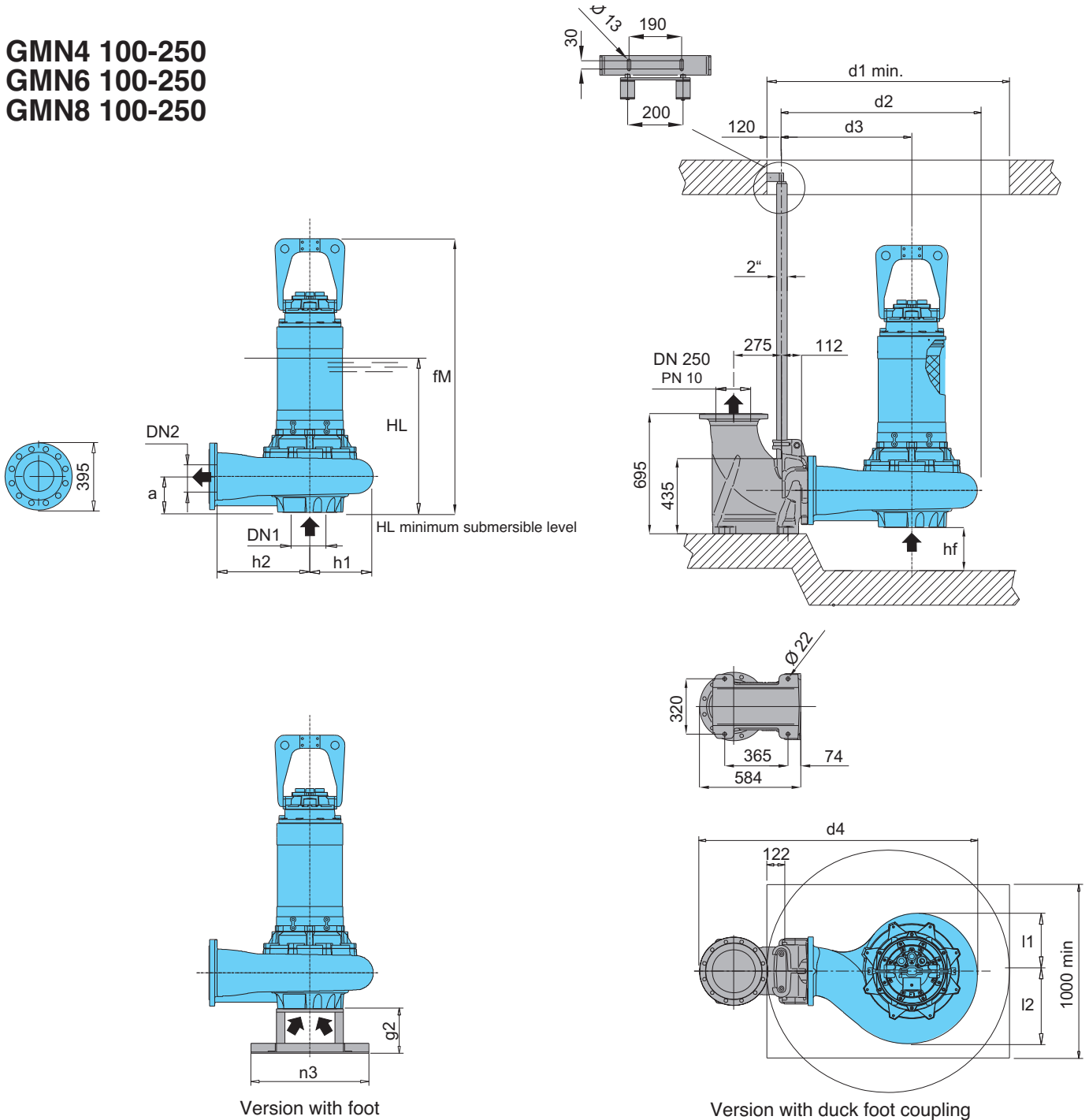


Version with duck foot coupling

TYPE	EN 1092-2 PN 10		Dimensions mm														Weight kg
	DN1	DN2	fM	HL	hf	a	l1	l2	d1	d2	d3	d4	h1	h2	n3	g2	
GMN4 100-200C/A																	
GMN4 100-200B/A	200	200	1613	780	153	198	306	335	1200	962	656	1469	306	480	700	265	665
GMN4 100-200A/A																	
GMN6 100-200E/B	200	200	1256	665	153	180	269	336	1200	958	656	1467	303	480	700	265	385
GMN6 100-200D/B																	
GMN8 100-200B/C	200	200	1392	665	153	180	269	335	1200	958	656	1467	303	480	700	265	435
GMN8 100-200A/A																	

### Dimensions and weights

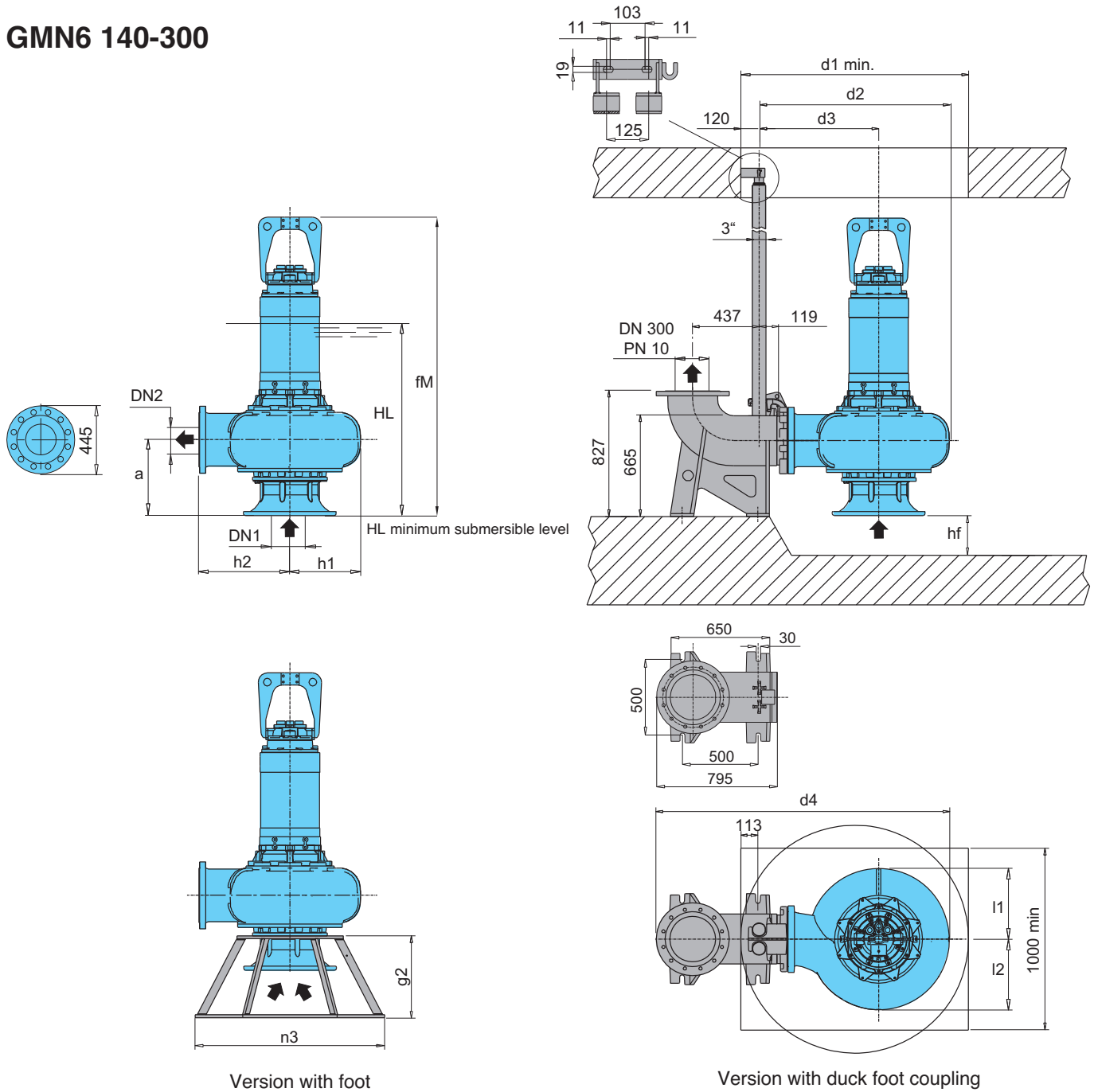
**GMN4 100-250**  
**GMN6 100-250**  
**GMN8 100-250**



TYPE	EN 1092-2 PN 10		Dimensions mm														Weight kg
	DN1	DN2	fM	HL	hf	a	l1	l2	d1	d2	d3	d4	h1	h2	n3	g2	
GMN4 100-250D	250	250	1710	797	250	214	336	419	1400	1130	752	1602	378	600	700	265	914
GMN4 100-250C																	
GMN4 100-250B																	
GMN4 100-250A																	
GMN6 100-250D	250	250	1408	735	250	180	336	419	1400	1130	752	1602	378	600	700	265	530
GMN6 100-250C																	
GMN6 100-250B																	
GMN6 100-250A																	
GMN8 100-250B/A	250	250	1408	735	250	180	336	419	1400	1130	752	1602	378	600	700	265	520
GMN8 100-250A/B																	

### Dimensions and weights

#### GMN6 140-300



TYPE	EN 1092-2 PN 10		Dimensions mm														Weight kg
	DN1	DN2	fM	HL	hf	a	l1	l2	d1	d2	d3	d4	h1	h2	n3	g2	
GMN6 140-300D	350	300	1959	1127	260	494	465	465	1500	1254	789	1930	465	600	1248	540	1030
GMN6 140-300C																	
GMN6 140-300B	350	300	2040	1164	260	494	465	465	1500	1254	789	1930	465	600	1248	540	1190
GMN6 140-300A																	
GMN8 140-300A	350	300	1959	1127	260	494	465	465	1500	1254	789	1930	465	600	1248	540	1024



### Construction

Submersible pumps with high power grinder.  
Twin mechanical seal with oil chamber (lip-seal motor side up to 1,6 kW).  
Delivery connection DN 40.

### Applications

Suitable for pumping waste water containing long filamentous, Paper and textile materials and organics.  
They are particularly suitable for use in domestic, residential and industrial installations  
Solid passage from 6 and 7 mm

### Operating conditions

Liquid temperature up to 40 °C.  
Maximum immersion depth: 20 m (with suitable cable length).  
Continuous duty (with pump immersed at minimum level).

### Motor

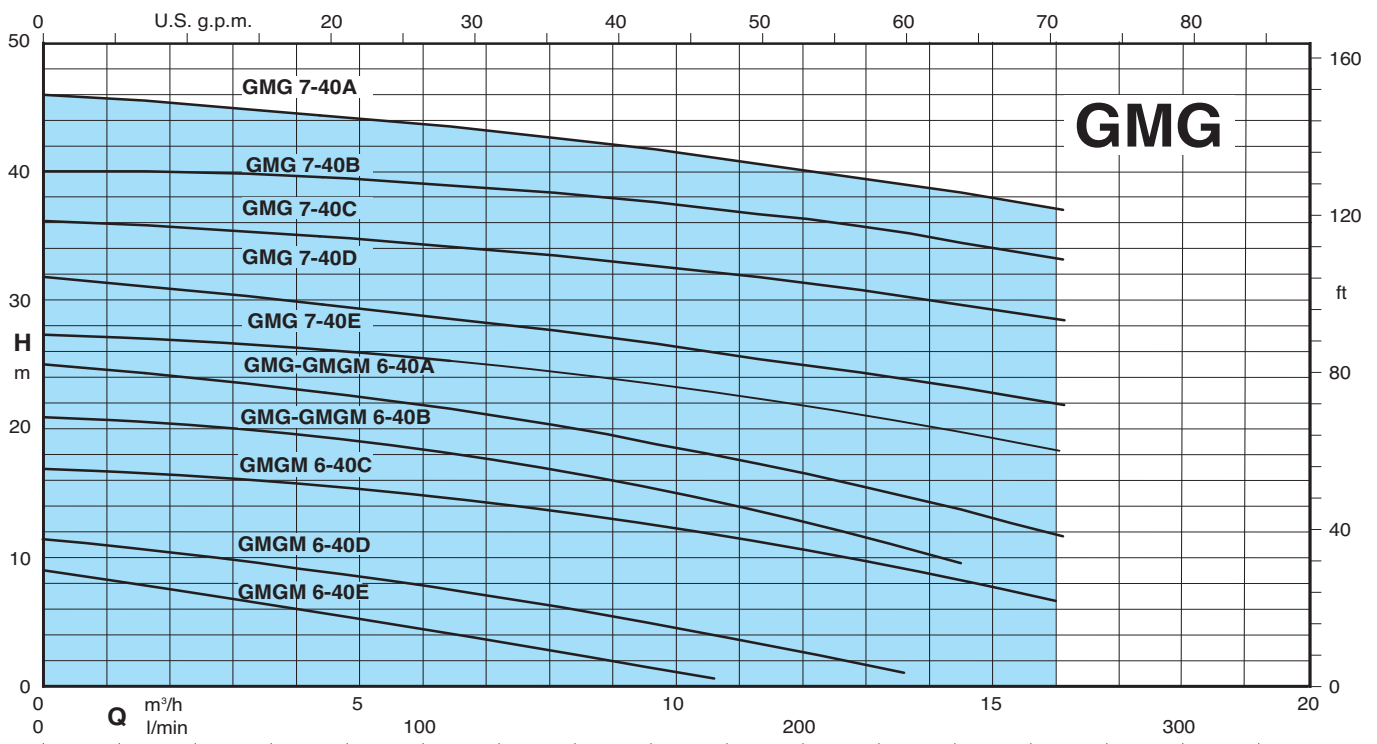
2 poles induction, 50Hz  
Single-phase version: 230V ± 10%, with float switch and control box with thermal protection and starting capacitors.  
Three-phase version: 400V ± 10%,  
400/690V ± 10%

Insulation class: H  
Protection degree: IP 68  
N° of starting x hour: max 15 with regular intervals  
Cable: H07RN-F, length 10 m  
Other models: contact our sale office  
**Classification scheme IE3.**

### Main materials


Pump casing: cast iron EN-GJL-250  
Motor casing: cast iron EN-GJL-250  
Motor cover: cast iron EN-GJL-250  
Impeller: cast iron EN-GJS-400  
Shaft : stainless steel AISI 420B  
Lip seal made of nitrile up to 1,6 kW  
Mechanical seal motor side: graphite/ceramic over 1,6 kW  
Mechanical seal pump side: silicon carbide/silicon carbide

### Coverage chart





### Technical data

TYPE	P <sub>2</sub> kW	I <sub>N</sub> A	Power Supply	r.p.m.	Starting	DN mm	Free passage Ø mm	Thermal protector	Humidity probe	 ATEX Eex
GMGM 6-40E/B	1,1	6,6	1~ 230V	2850	D.O.L.	40	6	●	NO	
GMGM 6-40D/B	1,1	6,6	1~ 230V	2850	D.O.L.	40	6	●	NO	
GMGM 6-40C/A	1,1	6,6	1~ 230V	2850	D.O.L.	40	6	●	NO	
GMGM 6-40B/A	1,5	9	1~ 230V	2850	D.O.L.	40	6	●	NO	
GMG 6-40B/A	1,6	3,1	3~ 400V	2850	D.O.L.	40	6	NO	NO	✓
GMGM 6-40A/A	1,9	11,4	1~ 230V	2850	D.O.L.	40	6	●	NO	
GMG 6-40A/A	2,4	4,5	3~ 400V	2850	D.O.L.	40	6	NO	NO	✓
GMG 7-40E/A	3,1	5,8	3~ 400V	2850	D.O.L.	40	7	NO	NO	✓
GMG 7-40D/A	3,1	5,8	3~ 400V	2850	D.O.L.	40	7	NO	NO	✓
GMG 7-40C/A	4,2	7,7	3~ 400/690V	2850	Y/Δ	40	7	●	●	✓
GMG 7-40B/A	5	9,1	3~ 400/690V	2850	Y/Δ	40	7	●	●	✓
GMG 7-40A/A	5	9,1	3~ 400/690V	2850	Y/Δ	40	7	●	●	✓

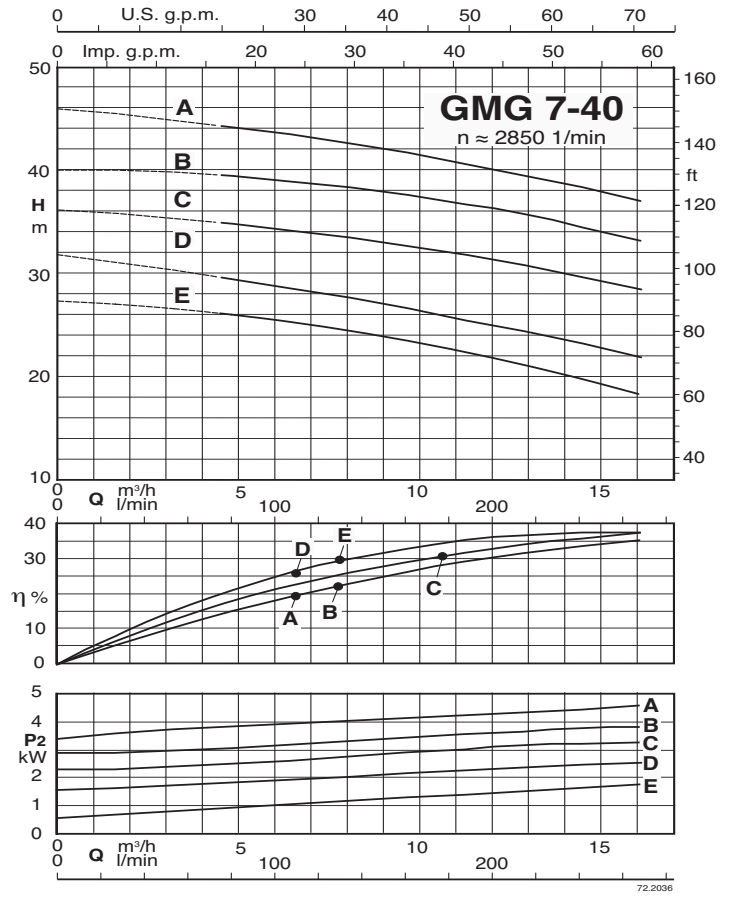
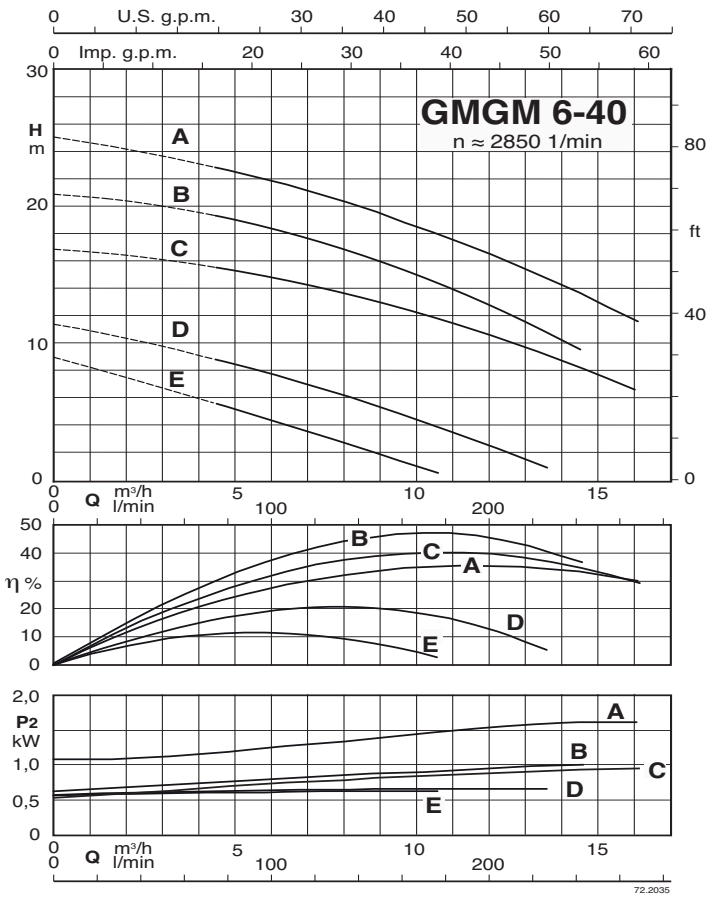
P<sub>2</sub> Rated power output

I<sub>N</sub> Rated current

● Standard

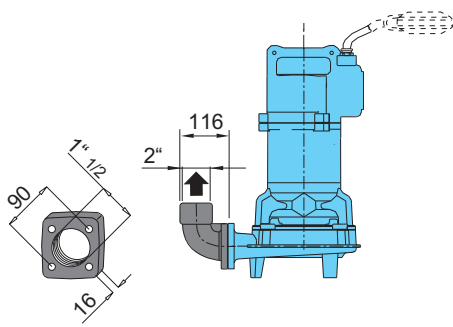
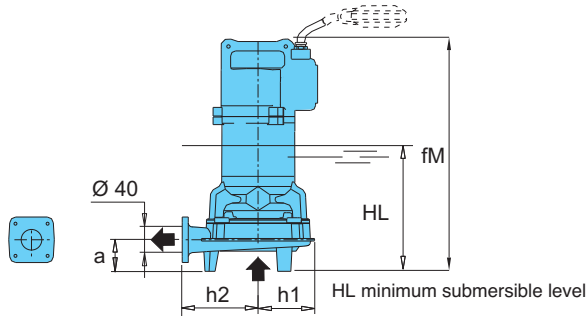
✓ ATEX Eex Version on demand

### Characteristic curves

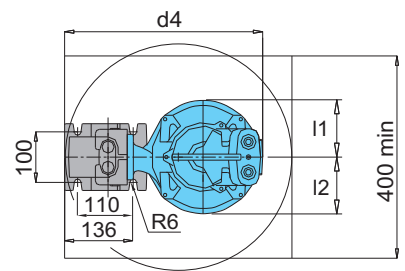
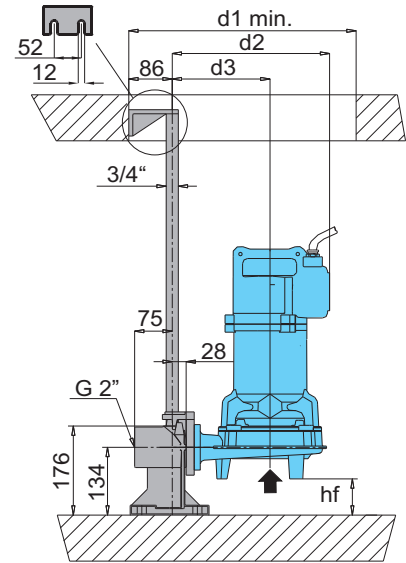


### Dimensions and weights

**GMGM 6-40**  
**GMG 6-40**  
**GMG 7-40**



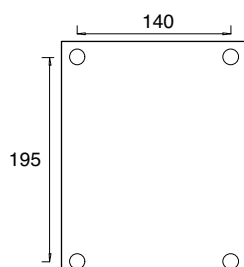
Version with threaded flange and 90° elbow



Version with duck foot coupling

TYPE	Dimensions mm												Weight kg	
	Ø1	fM	HL	hf	a	l1	l2	d1	d2	d3	d4	h1		h2
GMGM 6-40E/B	40	487	246	65	103	122	122	450	297	178	392	118	135	30
GMGM 6-40D/B														
GMGM 6-40C/A														
GMGM 6-40B/A														
GMG 6-40B/A	40	464	316	72	63	112	112	450	312	194	392	118	150	40
GMGM 6-40A/A														
GMG 6-40A/A														
GMG 7-40E/A														
GMG 7-40D/A	40	451	325	17	117	121	121	450	327	189	413	138	150	52
GMG 7-40C/A														
GMG 7-40B/A														
GMG 7-40A/A														

### Control box



To fix the control panel, use the preposed holes as specify in this drawing. In order to maintain the protection degree, suitable fixing devices must be used.



### Construction

Submersible pumps in **AISI 316** stainless steel.

**I-GMV** with free-flow (vortex) impeller

**I-GMC** with single-channel impeller

**I-GMN** with channels impeller

Twin mechanical seal with oil chamber (lip-seal motor side up to 2,4 kW 2 poles).

Delivery connection DN 50-65-80-100-150

### Applications

Suitable to pump aggressive and corrosive liquids, particularly to drain waste water in industrial and chemical process plants. Solid passage from 30 to 100 mm

### Operating conditions

Liquid temperature up to 40 °C.

Maximum immersion depth: 20 m (with suitable cable length).

Continuous duty (with pump immersed at minimum level).

### Main materials

Pump casing: stainless steel AISI 316

Motor casing: stainless steel AISI 316

Motor cover: stainless steel AISI 316

Impeller: stainless steel AISI 316

Shaft: stainless steel AISI 316L

Screws: stainless steel AISI 316

Mechanical seal motor side: graphite/ceramic/FPM (lip-seal made of nitrile up to 2,4 kW 2 poles).

Mechanical seal pump side: silicon carbide/silicon carbide/FPM

### Motor

2 or 4 poles induction, 50Hz

Three-phase version: 400V ± 10%,

400/690V ± 10%

Insulation class: H

Protection degree: IP 68

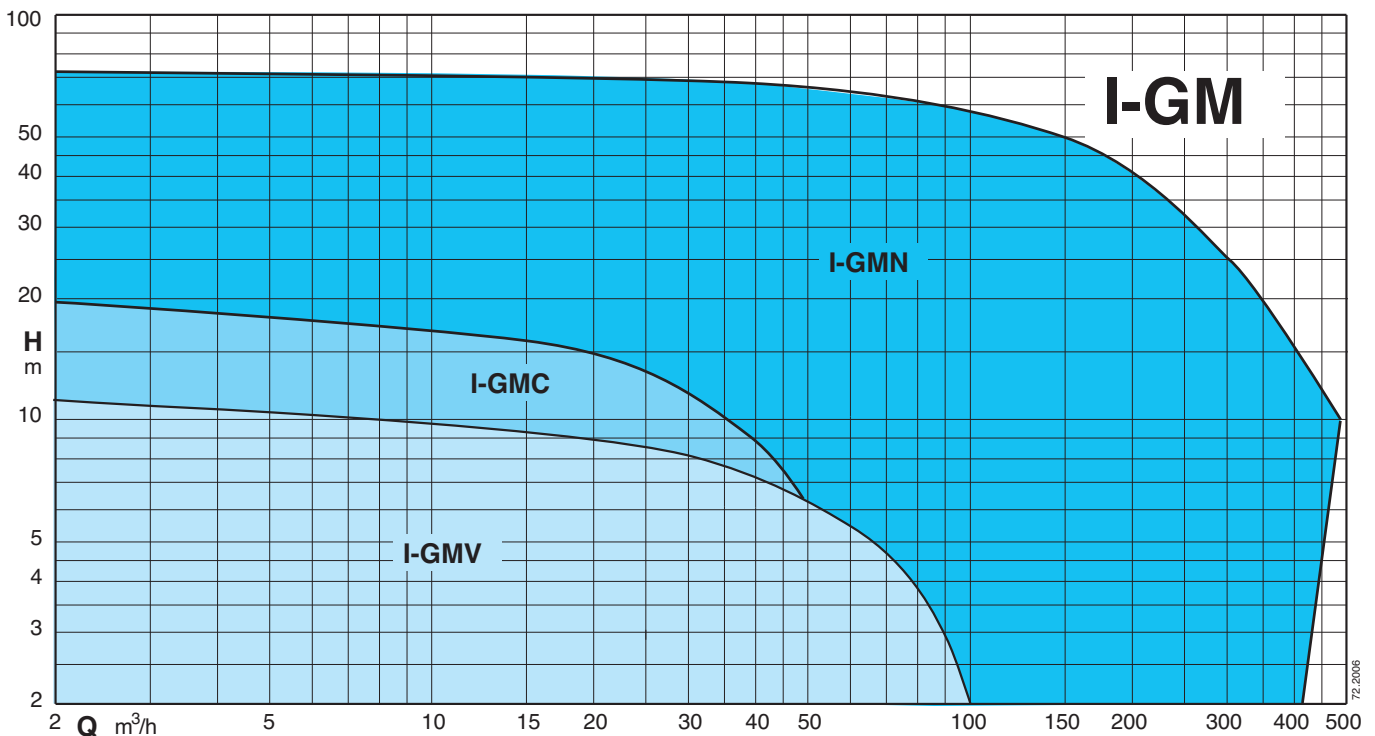
N° of starting x hour: max 15 with regular intervals

Cable: H07RN-F, length 10 m


Other models: contact our sale office

**Classification scheme IE3.**

### Coverage chart



### Technical data

TYPE	P <sub>2</sub> kW	I <sub>N</sub> A	Power Supply	r.p.m.	Starting	DN mm	Free passage Ø mm	Thermal protector	Humidity probe	 ATEX Eex
I-GMV 50-50C/A	1,8	3,5	3~ 400V	2850	D.O.L.	50	50	NO	NO	✓
I-GMV 50-50B/B	1,6	3,1	3~ 400V	2850	D.O.L.	50	50	NO	NO	✓
I-GMV 50-50A/B	2,4	4,5	3~ 400V	2850	D.O.L.	50	50	NO	NO	✓
I-GMV4 50-65C/A	1,1	2,4	3~ 400V	1450	D.O.L.	65	50	NO	NO	✓
I-GMV4 50-65B/A	1,4	2,7	3~ 400V	1450	D.O.L.	65	50	NO	NO	✓
I-GMV4 50-65A/A	1,6	3,1	3~ 400V	1450	D.O.L.	65	50	NO	NO	✓
I-GMV4 50-80B/A	2,3	4,4	3~ 400V	1450	D.O.L.	80	50	NO	NO	✓
I-GMV4 50-80A/A	2,8	5,4	3~ 400V	1450	D.O.L.	80	50	NO	NO	✓
I-GMC 40-65B/A	2,1	3,9	3~ 400V	2850	D.O.L.	65	40	NO	NO	✓
I-GMC 40-65A/A	2,8	6	3~ 400V	2850	D.O.L.	65	40	NO	NO	✓
I-GMN 30-65B/A	3,1	5,8	3~ 400V	2850	D.O.L.	65	30	NO	NO	✓
I-GMN 30-65A/A	3,6	6,6	3~ 400V	2850	D.O.L.	65	30	NO	NO	✓
I-GMN 30-80B/A	5	9,1	3~ 400/690V	2850	Y/Δ	80	30	●	●	✓
I-GMN 30-80A/A	6,5	11,8	3~ 400/690V	2850	Y/Δ	80	30	●	●	✓
I-GMN 30-80S/A	7,5	13,5	3~ 400/690V	2850	Y/Δ	80	30	●	●	
I-GMN 40-100D/A	12	21,7	3~ 400/690V	2850	Y/Δ	100	40	●	●	✓
I-GMN 40-100C/A	13,8	24,8	3~ 400/690V	2850	Y/Δ	100	40	●	●	✓
I-GMN 40-100B/A	16,6	29,8	3~ 400/690V	2850	Y/Δ	100	40	●	●	✓
I-GMN 40-100S/A	20	35,8	3~ 400/690V	2850	Y/Δ	100	40	●	●	✓
I-GMN4 60-100B/A	6	11,5	3~ 400/690V	1450	Y/Δ	100	60	●	●	✓
I-GMN4 60-100A/A	7,1	13,5	3~ 400/690V	1450	Y/Δ	100	60	●	●	✓
I-GMN4 80-100B/A	10	19	3~ 400/690V	1450	Y/Δ	100	80	●	●	✓
I-GMN4 80-100A/A	10	19	3~ 400/690V	1450	Y/Δ	100	80	●	●	✓
I-GMN4 100-150B/A	23,6	43,3	3~ 400/690V	1450	Y/Δ	150	100	●	●	
I-GMN4 100-150A/A	30	54,3	3~ 400/690V	1450	Y/Δ	150	100	●	●	

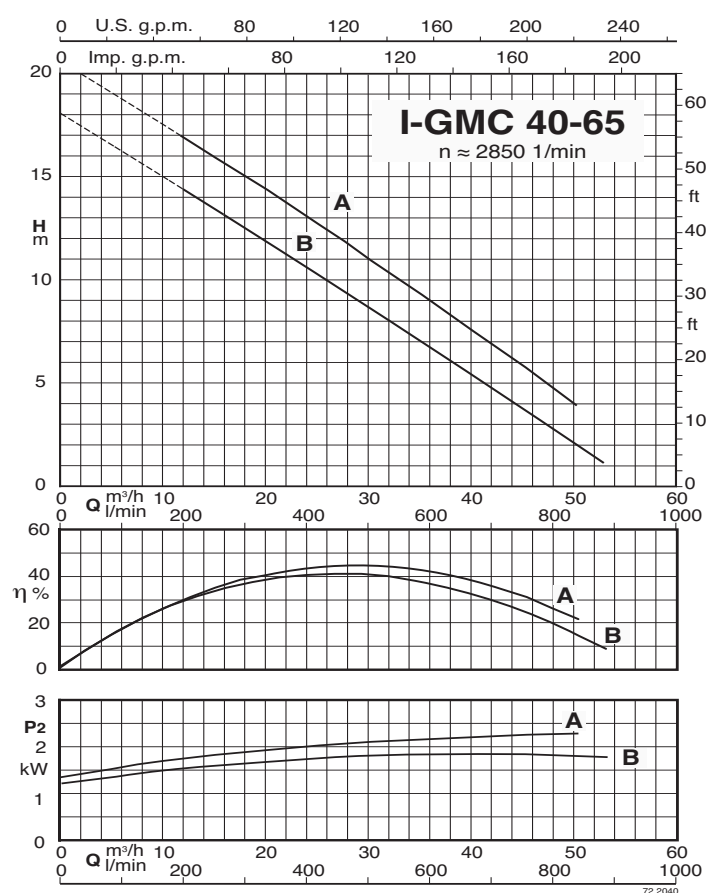
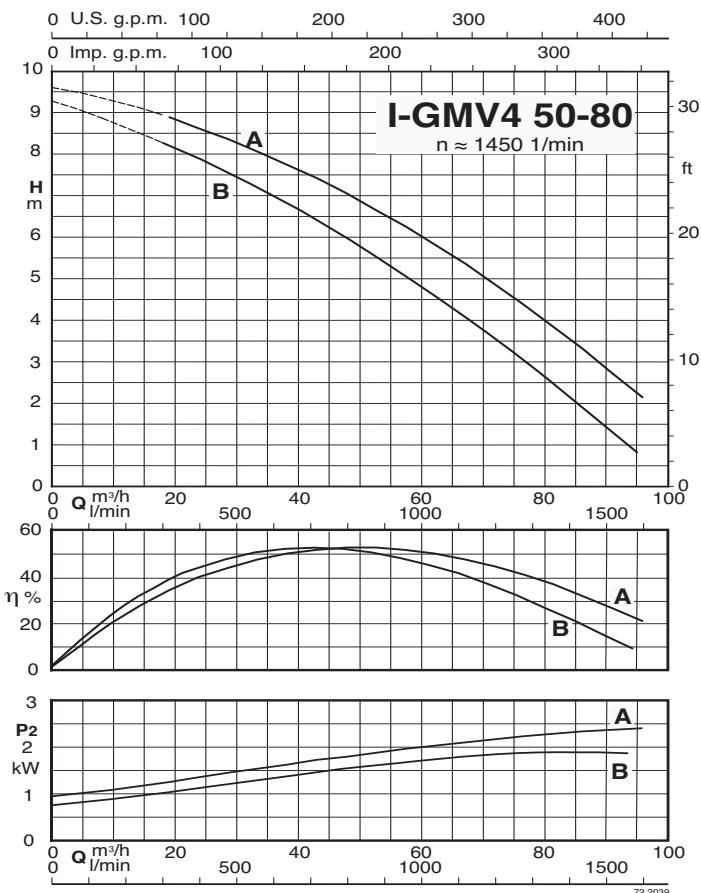
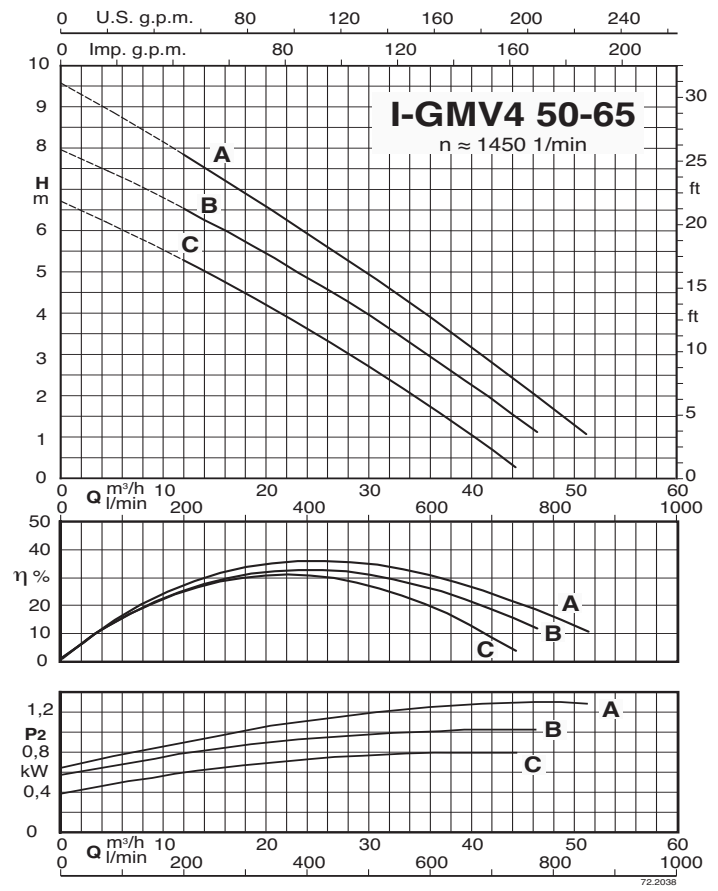
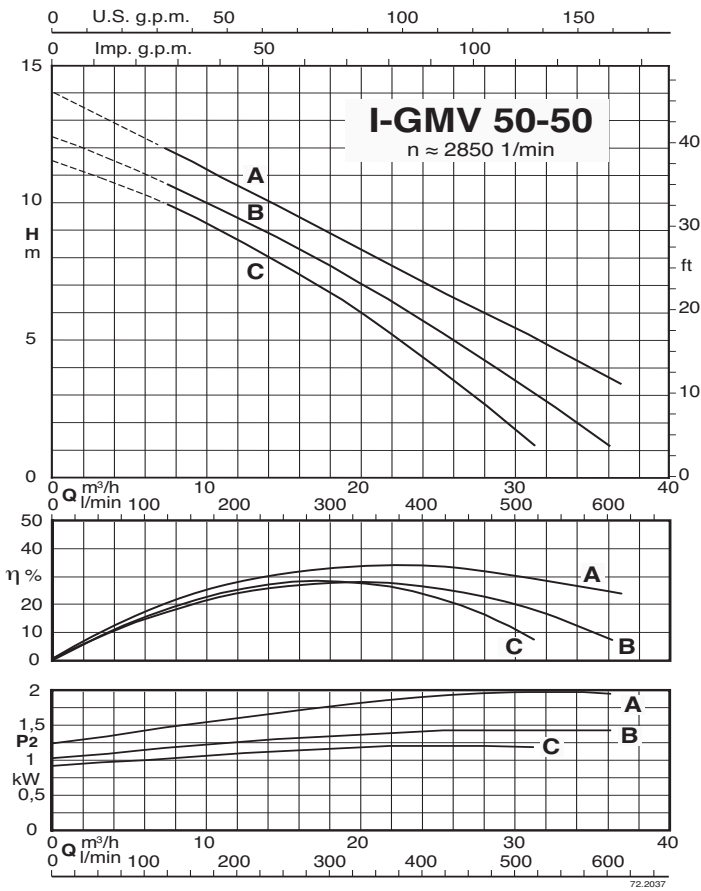
P<sub>2</sub> Rated power output

I<sub>N</sub> Rated current

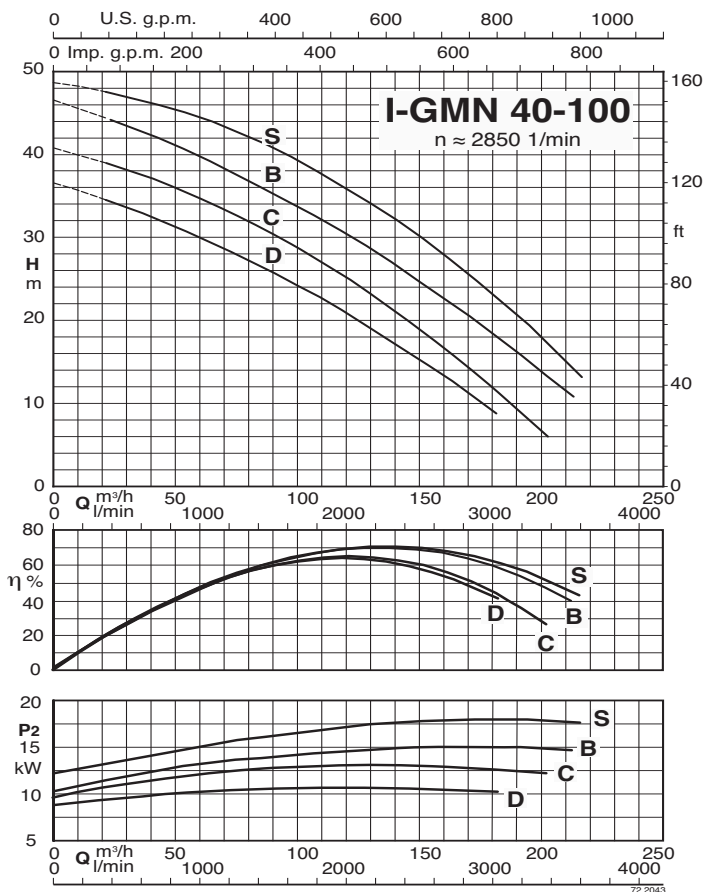
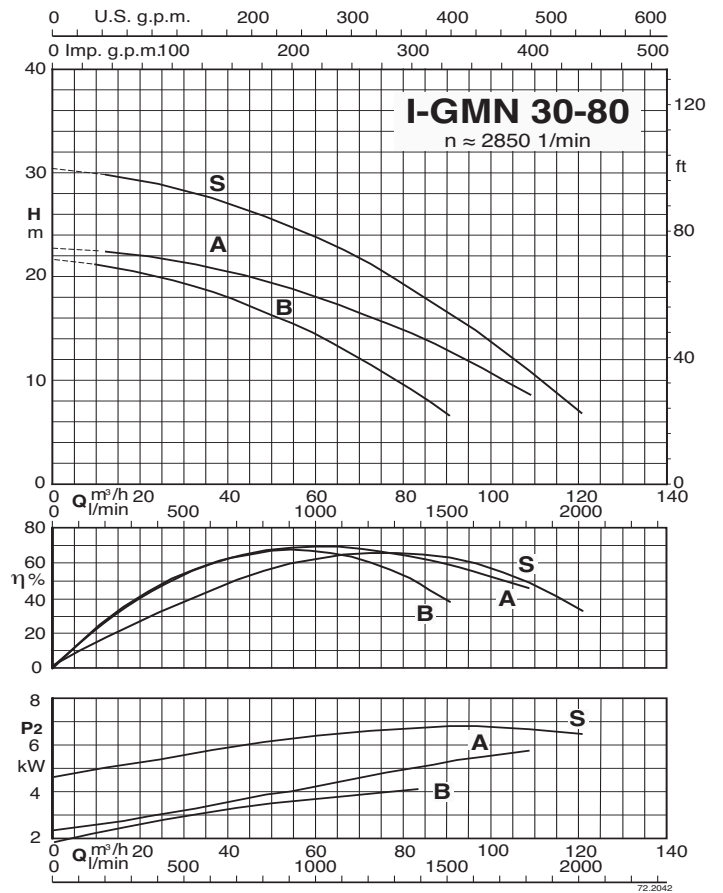
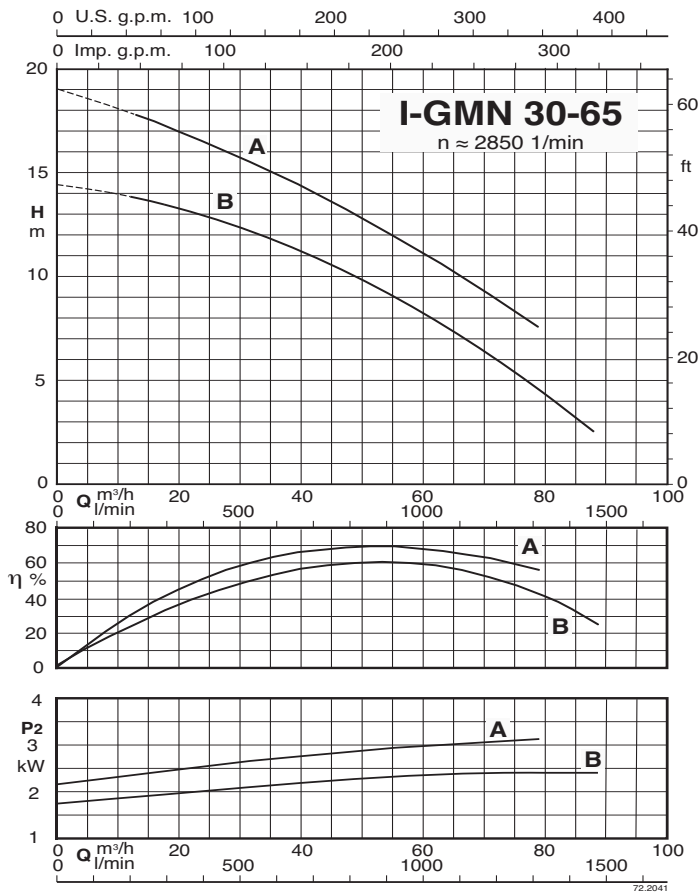
● Standard

✓ ATEX Eex Version on demand

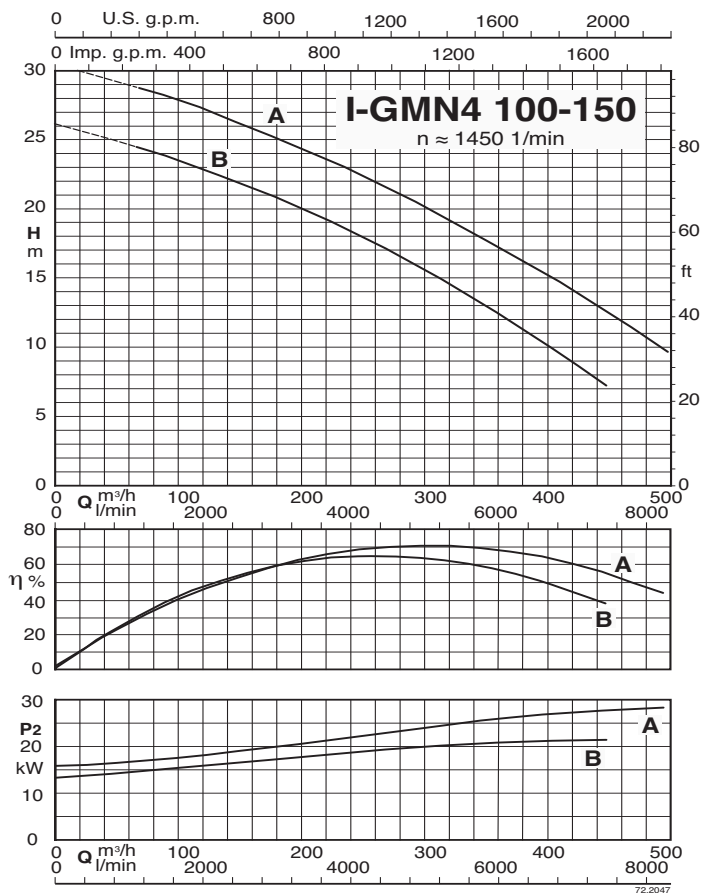
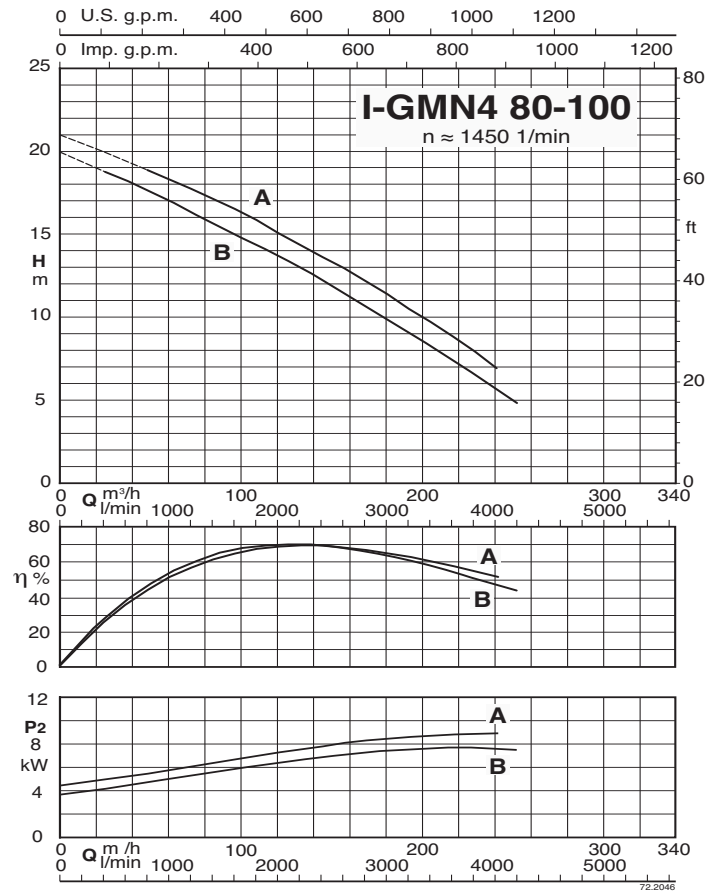
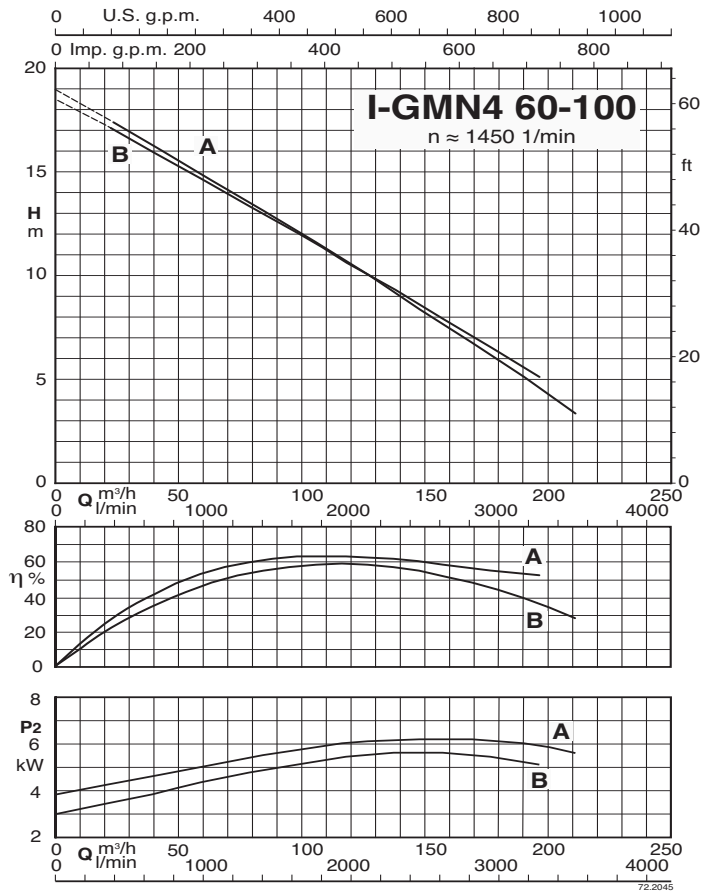
### Characteristic curves



### Characteristic curves



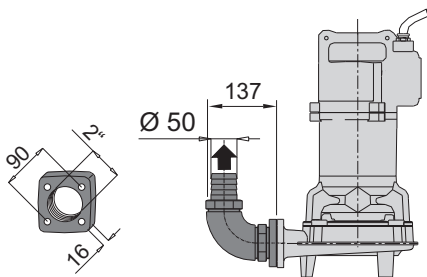
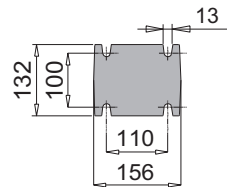
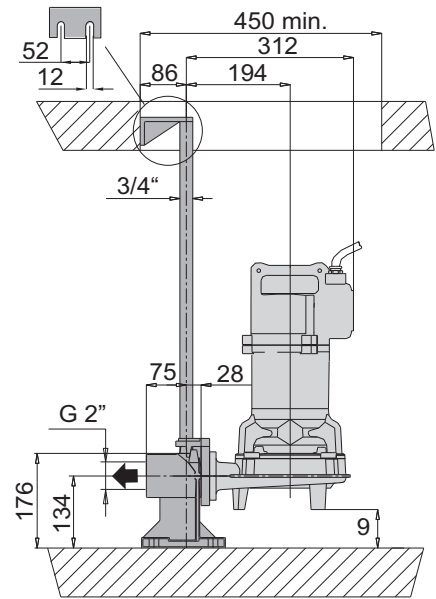
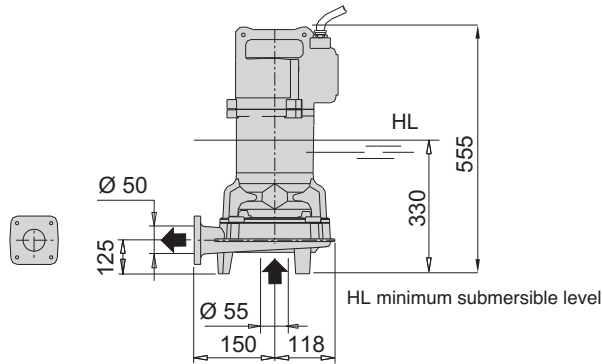
### Characteristic curves



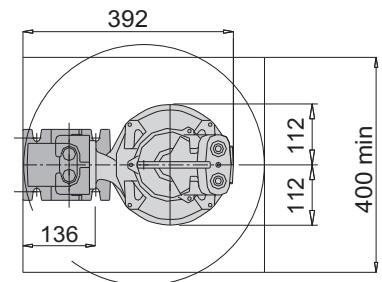


## Dimensions and weights

### I-GMV 50-50



Version with threaded flange and 90° elbow



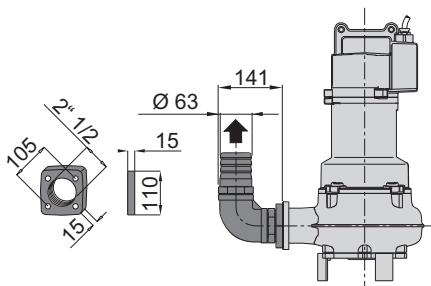
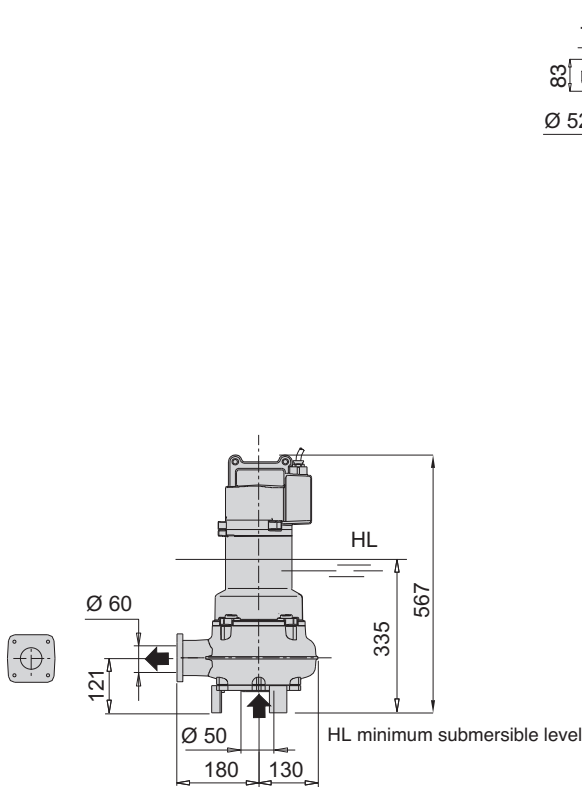
Version with duck foot coupling

TYPE	Weight kg
I-GMV 50-50C/A	46
I-GMV 50-50B/B	
I-GMV 50-50A/B	

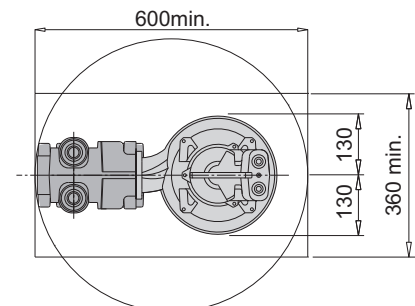
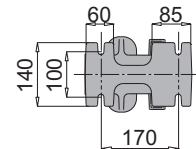
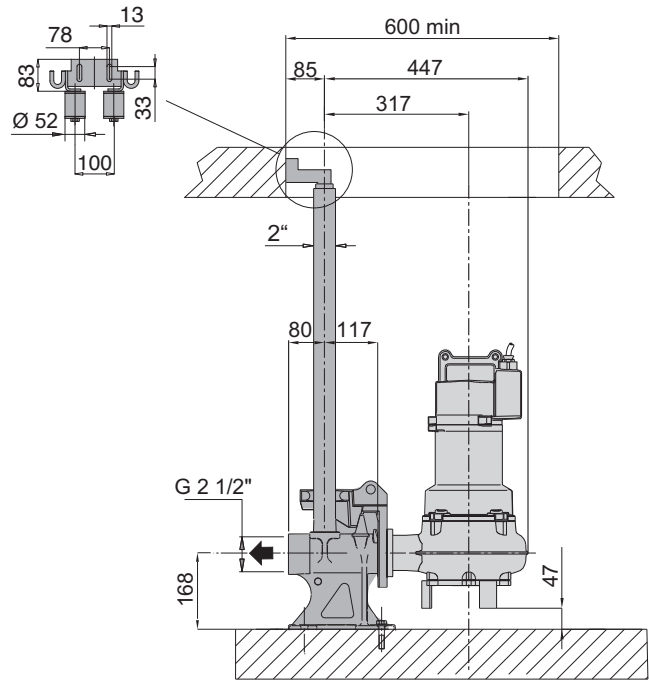
### Dimensions and weights

**I-GMV4 50-65**

**I-GMC 40-65**



Version with threaded flange and 90° elbow

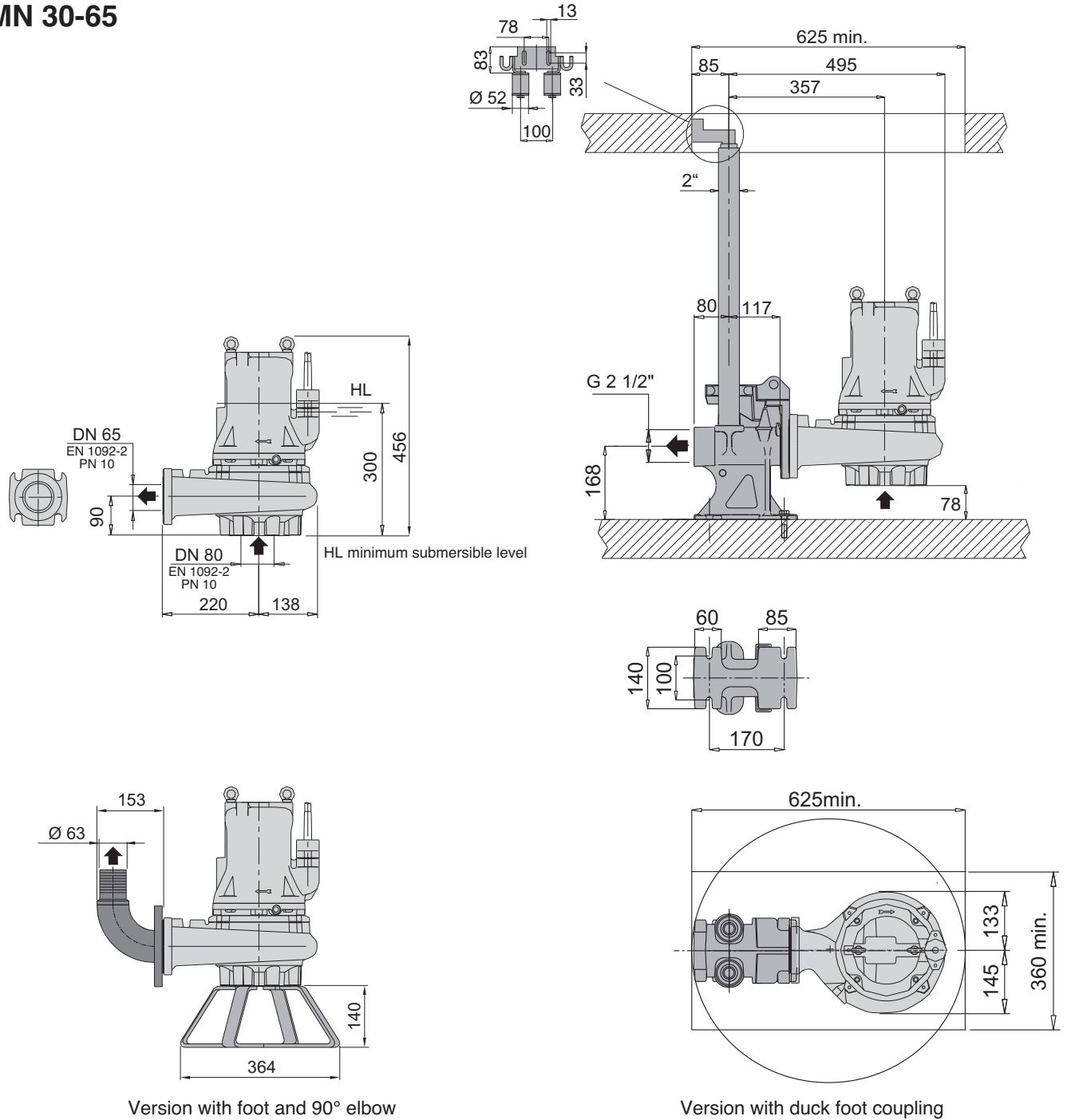


Version with duck foot coupling

TYPE	Weight kg
I-GMV4 50-65C/A	47
I-GMV4 50-65B/A	
I-GMV4 50-65A/A	
I-GMC 40-65B/A	49
I-GMC 40-65A/A	

## Dimensions and weights

### I-GMN 30-65



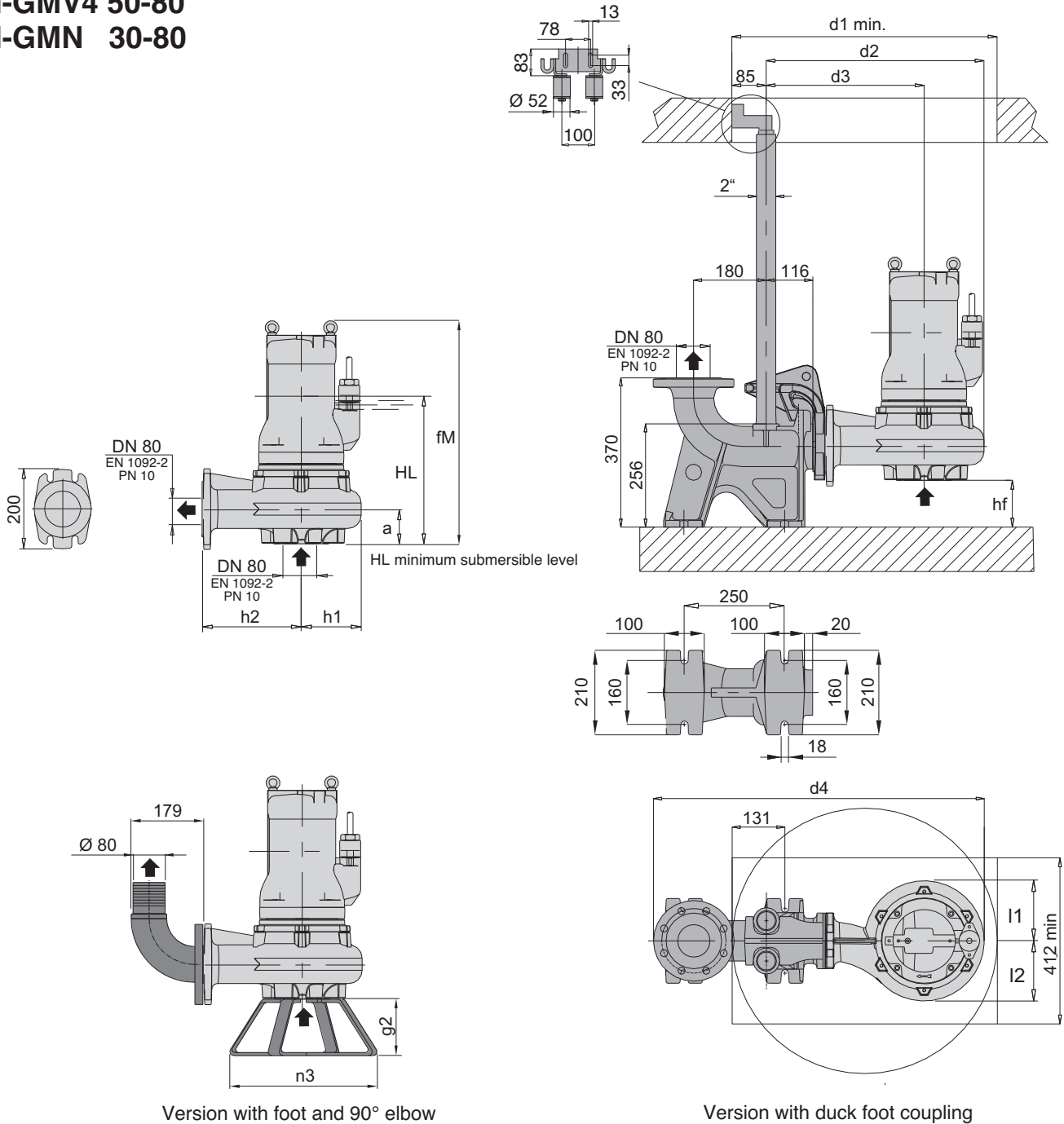
Version with foot and 90° elbow

Version with duck foot coupling

TYPE	Weight kg
I-GMN 30-65B/A	62
I-GMN 30-65A/A	

### Dimensions and weights

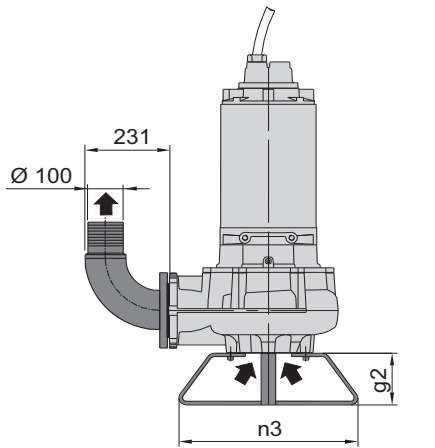
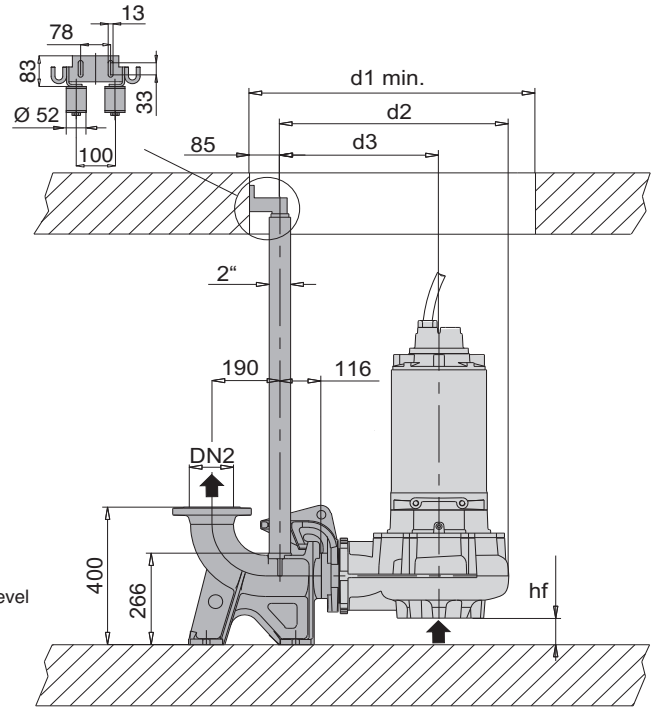
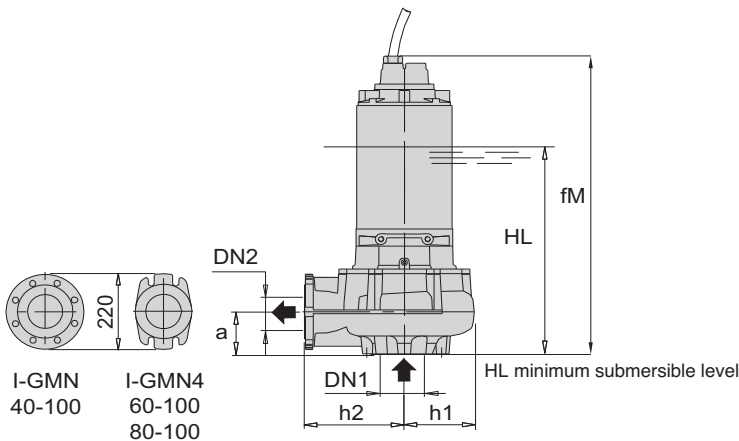
**I-GMV4 50-80**  
**I-GMN 30-80**



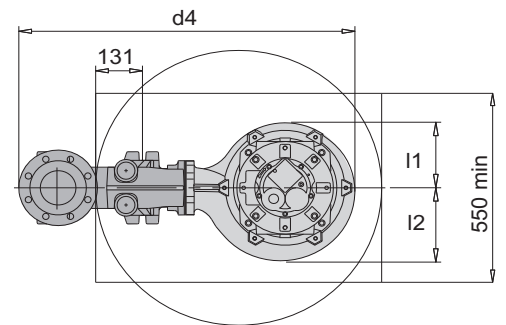
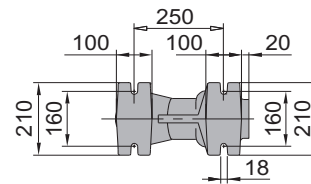
TYPE	EN 1092-2 PN 10		Dimensions mm														Weight kg
	DN1	DN2	fM	HL	hf	a	l1	l2	d1	d2	d3	d4	h1	h2	n3	g2	
I-GMV4 50-80B/A	80	80	519	363	84	116	136	157	658	511	366	791	145	220	370	140	67
I-GMV4 50-80A/A																	
I-GMN 30-80B/A	80	80	515	330	110	90	133	145	700	511	366	791	145	220	370	140	83
I-GMN 30-80A/A																	
I-GMN 30-80S/A	100	80	767	438	132	68	165	165	700	571	386	851	185	220	476	150	170

### Dimensions and weights

**I-GMN 40-100**  
**I-GMN4 60-100**  
**I-GMN4 80-100**



Version with foot and 90° elbow

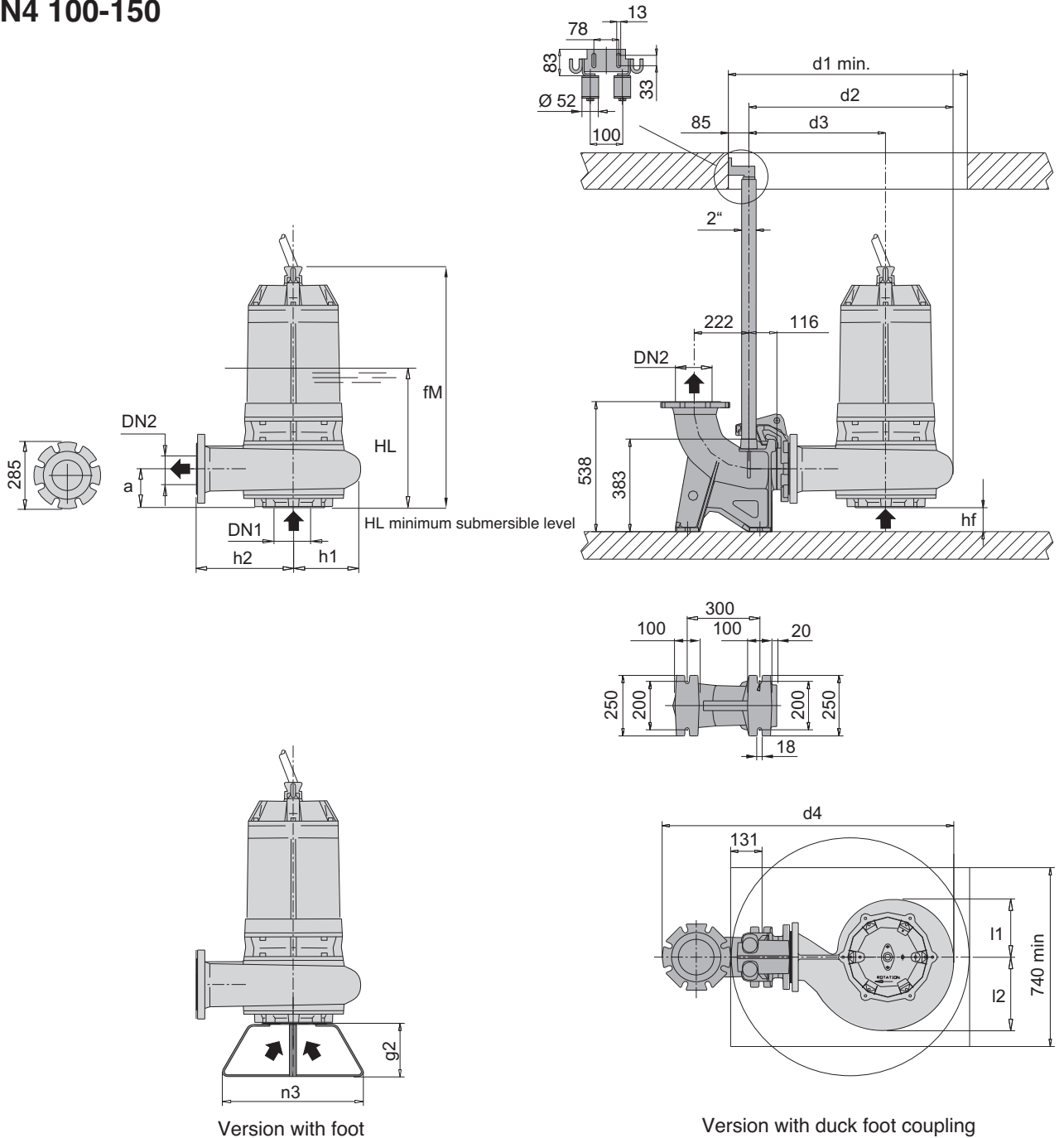


Version with duck foot coupling

TYPE	EN 1092-2 PN 10		Dimensions mm														Weight kg
	DN1	DN2	fM	HL	hf	a	l1	l2	d1	d2	d3	d4	h1	h2	n3	g2	
I-GMN 40-100D/A	125	100	845	478	127	73	168	184	750	628	441	928	187	275	500	150	222
I-GMN 40-100C/A																	
I-GMN 40-100B/A																	
I-GMN 40-100S/A	125	100	1269	570	127	73	193	193	800	628	441	928	187	275	500	150	360
I-GMN4 60-100B/A																	
I-GMN4 60-100A/A																	
I-GMN4 80-100B/A	125	100	921	570	53	147	189	212	800	640	445	940	195	279	500	150	220
I-GMN4 80-100A/A																	

### Dimensions and weights

#### I-GMN4 100-150



Version with foot

Version with duck foot coupling

TYPE	EN 1092-2 PN 10		Dimensions mm														Weight kg
	DN1	DN2	fM	HL	hf	a	l1	l2	d1	d2	d3	d4	h1	h2	n3	g2	
GMN4 100-150B/A	150	150	991	576	100	160	235	305	990	931	566	1208	280	400	600	225	370
GMN4 100-150A/A			1055	600													



### Construction

Submersible pumps, **B 10 bronze marine** version.

**B-GMV** with free-flow (vortex) impeller

**B-GMC** with single-channel impeller

**B-GMN** with channels impeller

Twin mechanical seal with oil chamber (lip-seal motor side up to 2,4 kW 2 poles).

Delivery connection DN 50-65-80

### Applications

Suitable to pump industrial waste water in chemical, and process industries, agricultural and marine areas.

Solid passage from 30 to 50 mm

### Operating conditions

Liquid temperature up to 40 °C.

Maximum immersion depth: 20 m (with suitable cable length).

Continuous duty (with pump immersed at minimum level).

### Main materials

Pump casing, Motor casing, Motor cover: B 10 bronze marine

Impeller: stainless steel AISI 316

Motor shaft: stainless steel AISI 316L

Screws: stainless steel AISI 316

Mechanical seal motor side: graphite/ceramic/FPM (lip-seal made of nitrile up to 2,4 kW 2 poles).

Mechanical seal pump side: silicon carbide/silicon carbide/FPM

### Motor

2 or 4 poles induction, 50Hz

Three-phase version: 400V ± 10%,

400/690V ± 10%

Insulation class: H

Protection degree: IP 68

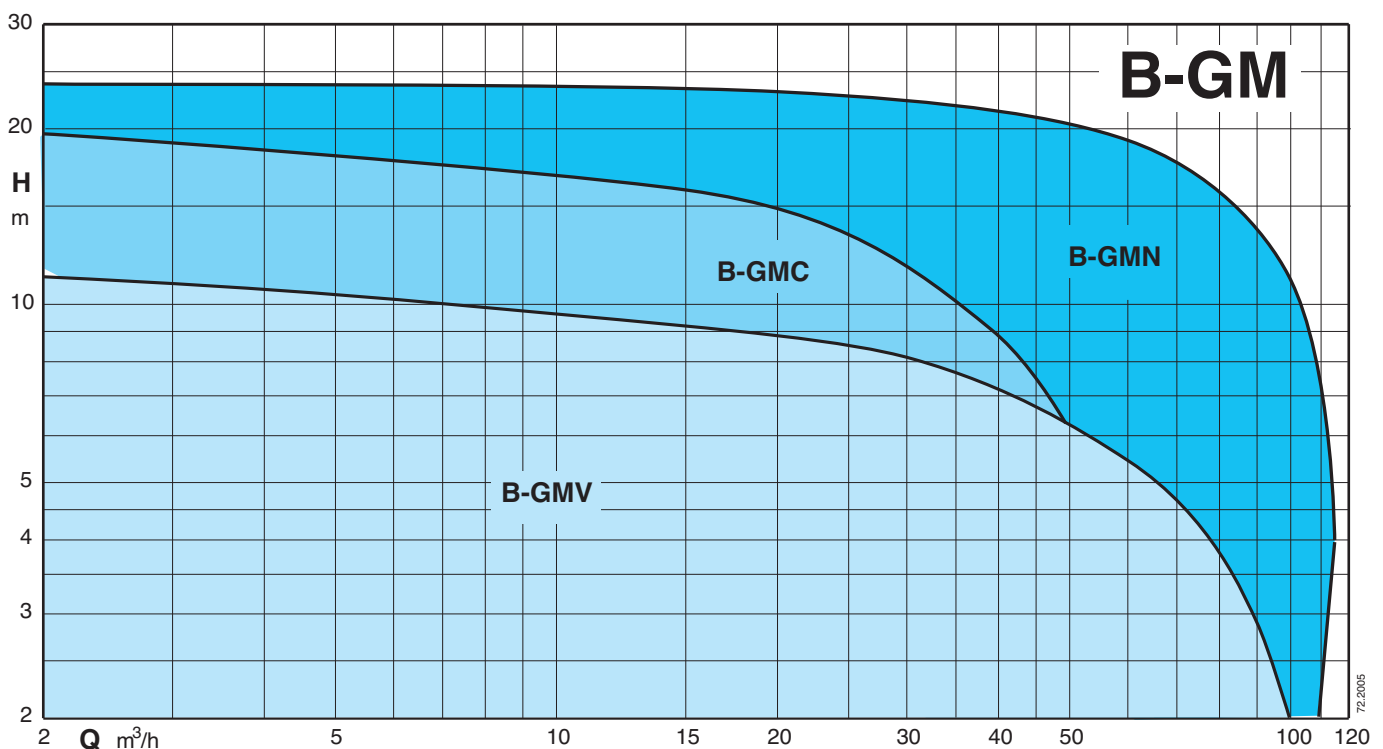
N° of starting x hour: max 15 with regular intervals

Cable: H07RN-F, length 10 m


Other models: contact our sale office

**Classification scheme IE3.**

### Coverage chart



### Technical data

TYPE	P <sub>2</sub> kW	I <sub>N</sub> A	Power Supply	r.p.m.	Starting	DN mm	Free passage Ø mm	Thermal protector	Humidity probe	 ATEX Eex
B-GMV 50-50C/A	1,8	3,5	3~ 400V	2850	D.O.L.	50	50	NO	NO	✓
B-GMV 50-50B/B	1,6	3,1	3~ 400V	2850	D.O.L.	50	50	NO	NO	✓
B-GMV 50-50A/B	2,4	4,5	3~ 400V	2850	D.O.L.	50	50	NO	NO	✓
B-GMV4 50-65C/A	1,1	2,4	3~ 400V	1450	D.O.L.	65	50	NO	NO	✓
B-GMV4 50-65B/A	1,4	2,7	3~ 400V	1450	D.O.L.	65	50	NO	NO	✓
B-GMV4 50-65A/A	1,6	3,1	3~ 400V	1450	D.O.L.	65	50	NO	NO	✓
B-GMV4 50-80B/A	2,3	4,4	3~ 400V	1450	D.O.L.	80	50	NO	NO	✓
B-GMV4 50-80A/A	2,8	3,4	3~ 400V	1450	D.O.L.	80	50	NO	NO	✓
B-GMC 40-65B/A	2,1	3,9	3~ 400V	2850	D.O.L.	65	40	NO	NO	✓
B-GMC 40-65A/A	2,8	5,2	3~ 400V	2850	D.O.L.	65	40	NO	NO	✓
B-GMN 30-65B/A	3,1	5,8	3~ 400V	2850	D.O.L.	65	30	NO	NO	✓
B-GMN 30-65A/A	3,6	6,6	3~ 400V	2850	D.O.L.	65	30	NO	NO	✓
B-GMN 30-80B/A	5	9,1	3~ 400/690V	2850	Y/Δ	80	30	●	●	✓
B-GMN 30-80A/A	6,5	11,8	3~ 400/690V	2850	Y/Δ	80	30	●	●	✓

P<sub>2</sub> Rated power output

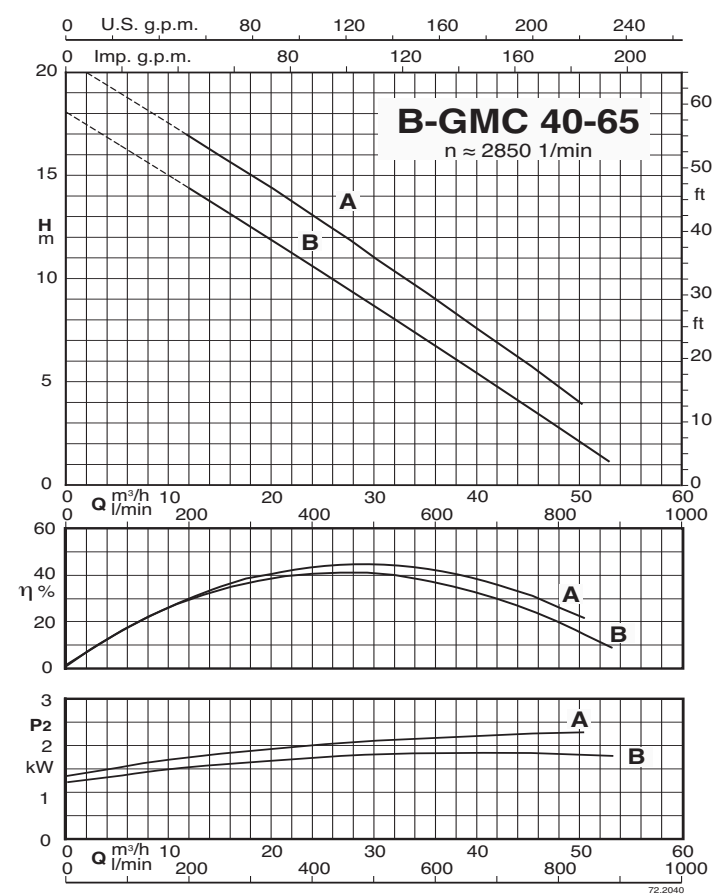
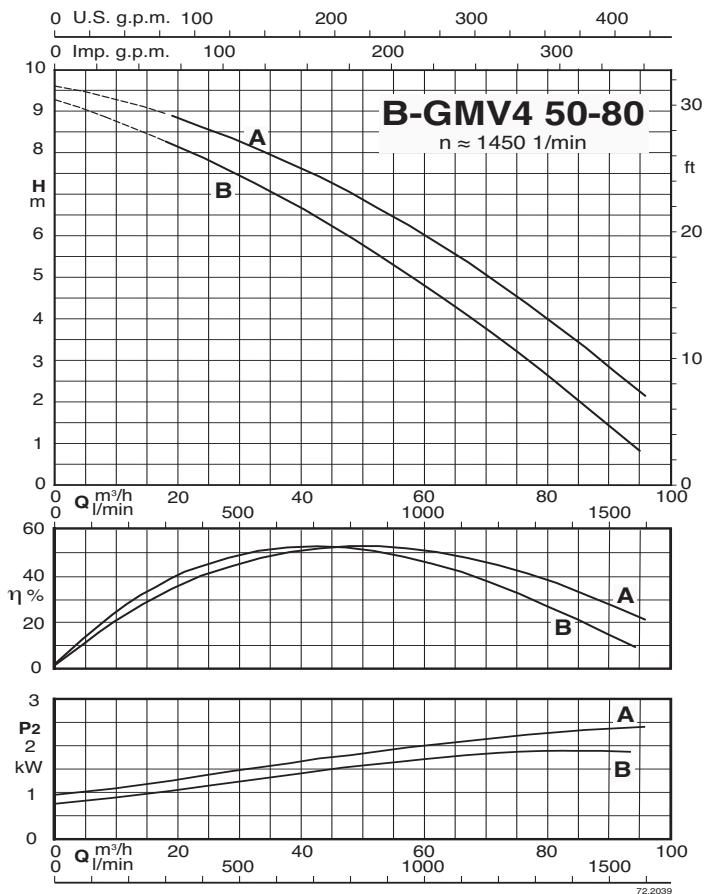
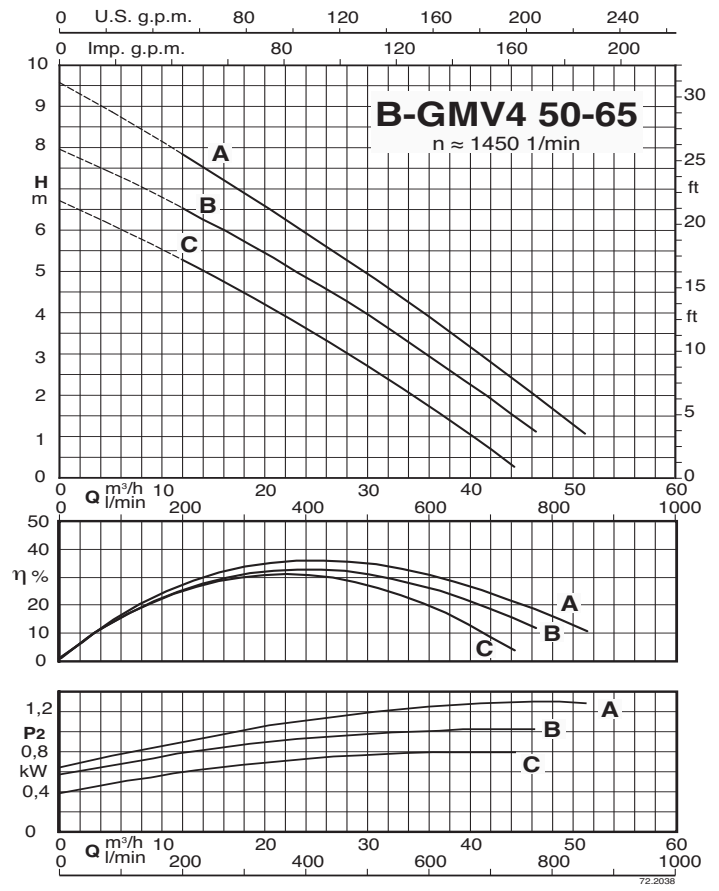
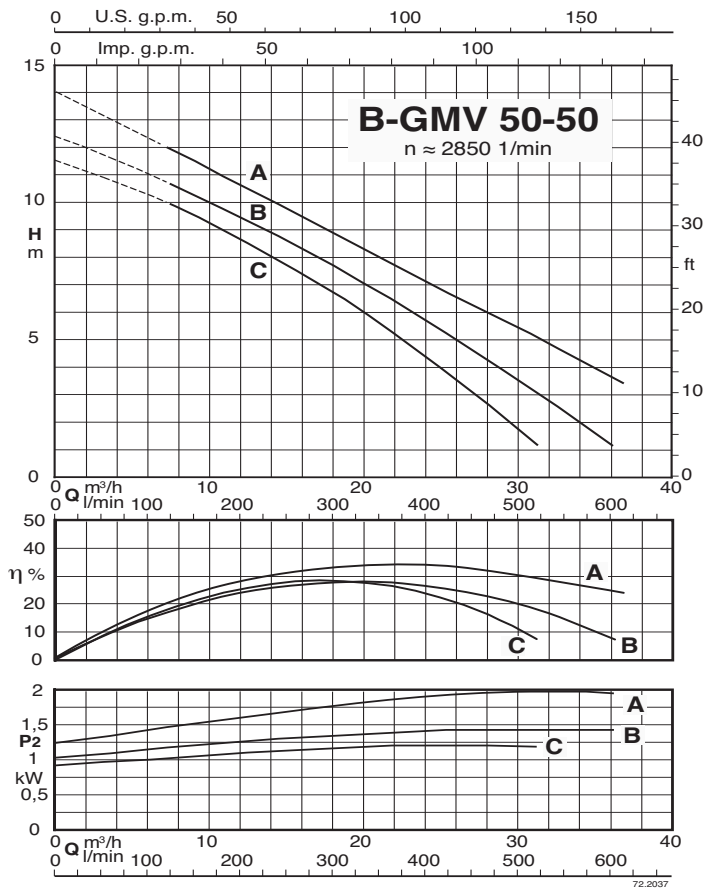
I<sub>N</sub> Rated current

● Standard

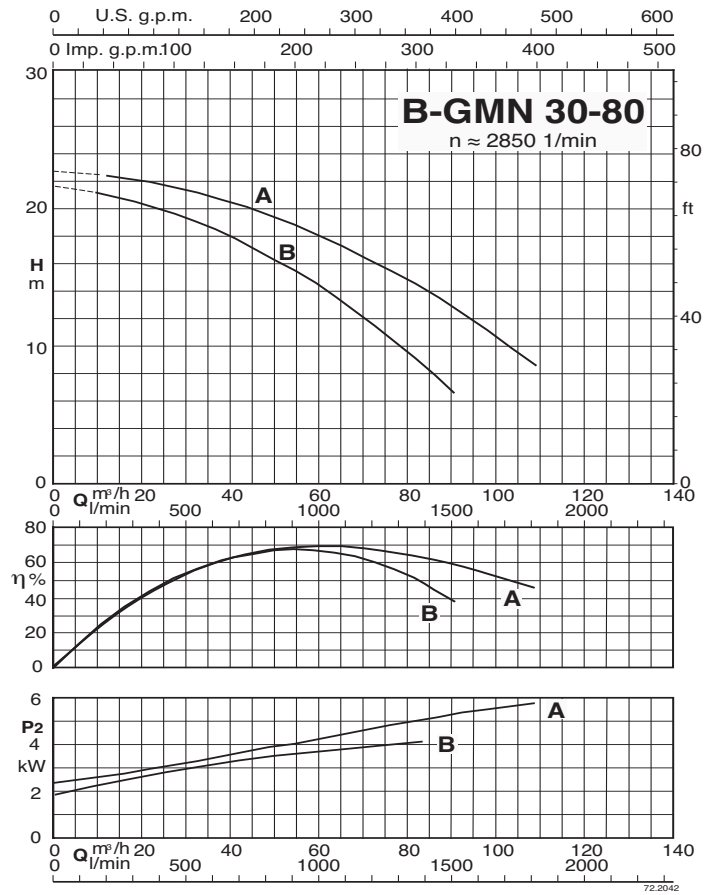
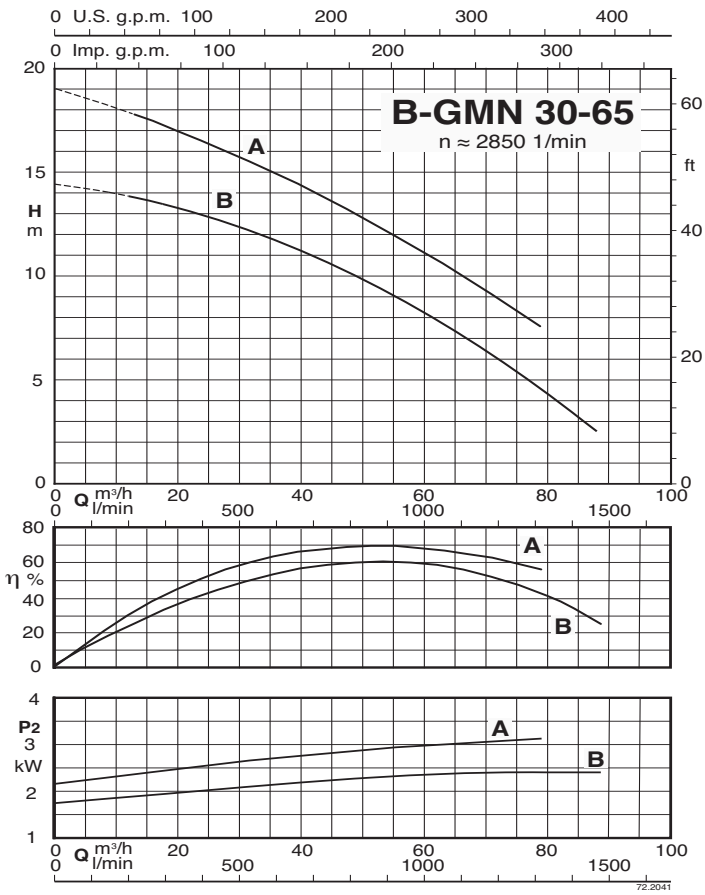
✓ ATEX Eex Version on demand



### Characteristic curves

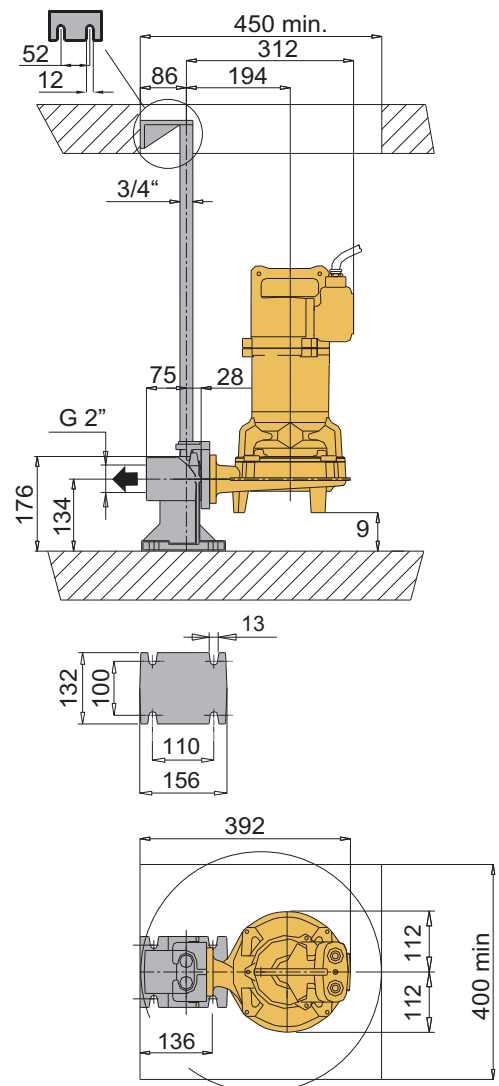
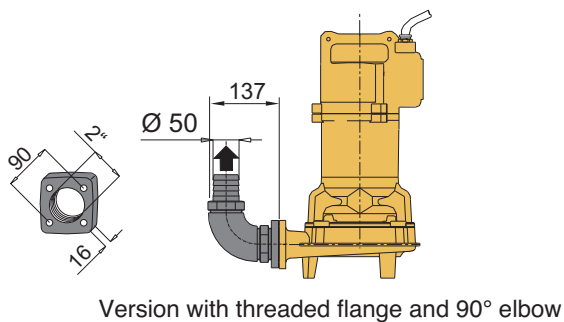
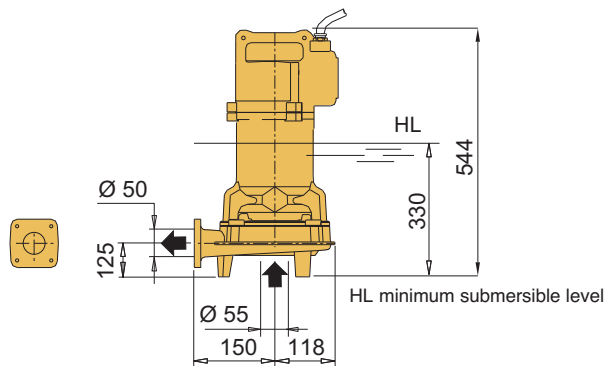


### Characteristic curves



### Dimensions and weights

#### B-GMV 50-50

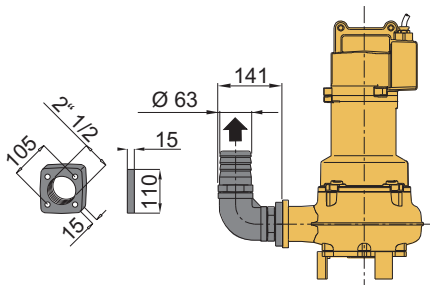
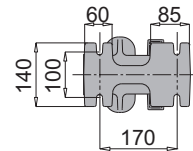
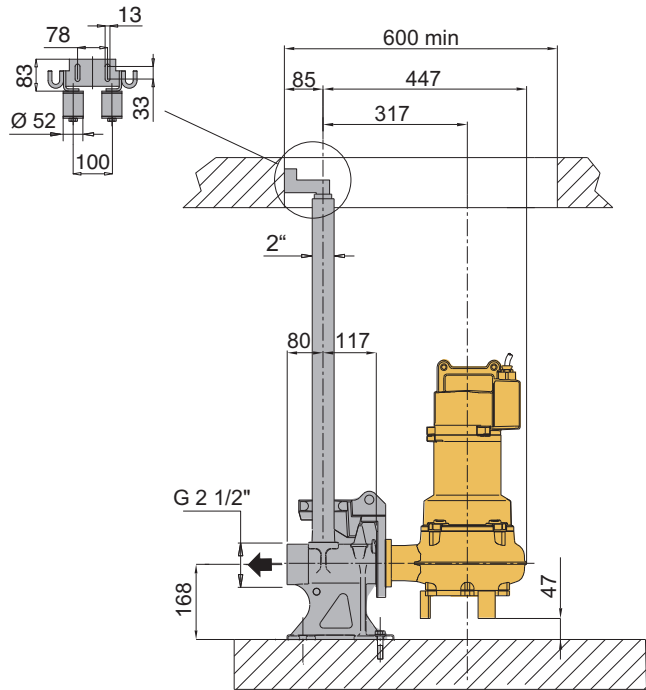
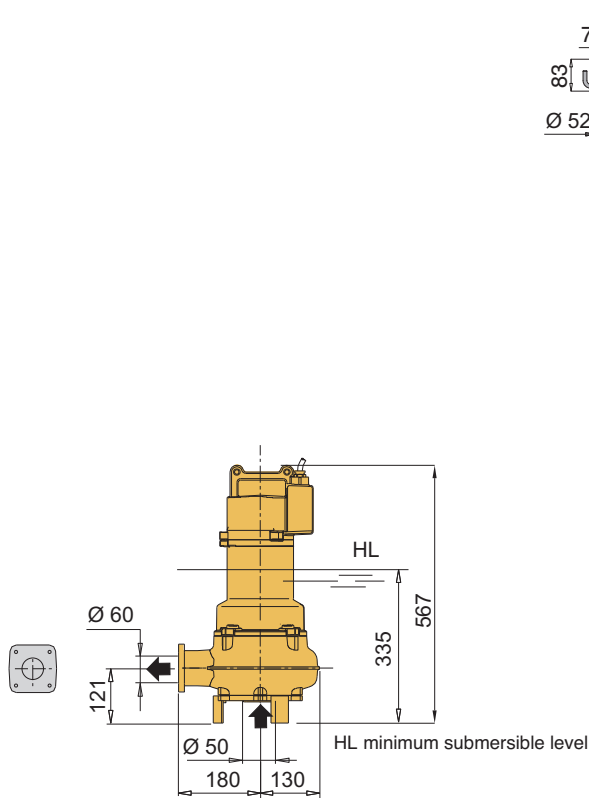


TYPE	Weight kg
B-GMV 50-50C/A	48
B-GMV 50-50B/B	
B-GMV 50-50A/B	

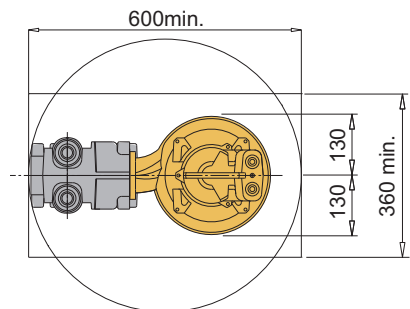
### Dimensions and weights

**B-GMV4 50-65**

**B-GMC 40-65**



Version with threaded flange and 90° elbow

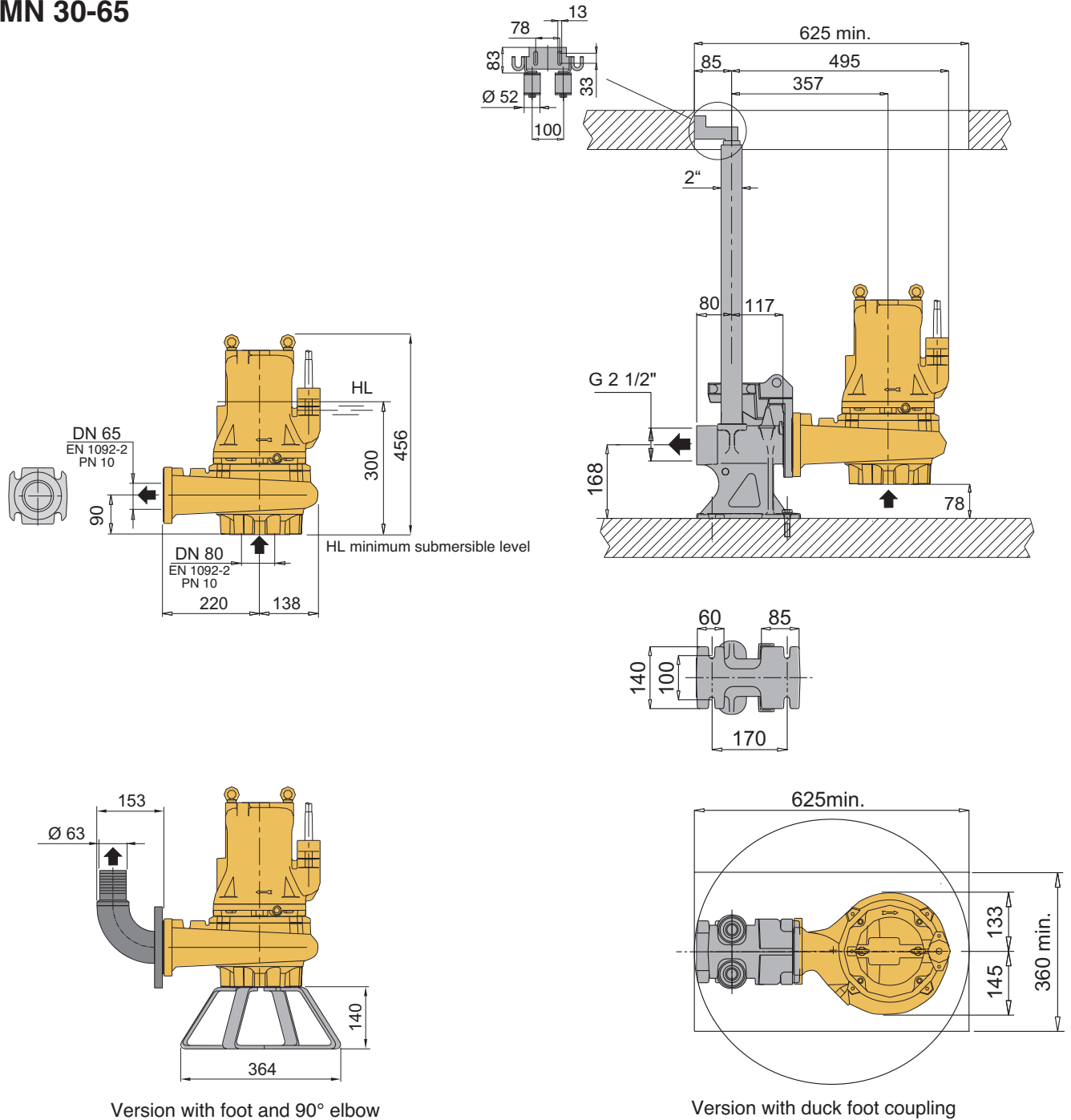


Version with duck foot coupling

TYPE	Weight kg
B-GMV4 50-65C/A	48
B-GMV4 50-65B/A	
B-GMV4 50-65A/A	
B-GMC 40-65B/A	50
B-GMC 40-65A/A	

### Dimensions and weights

#### B-GMN 30-65



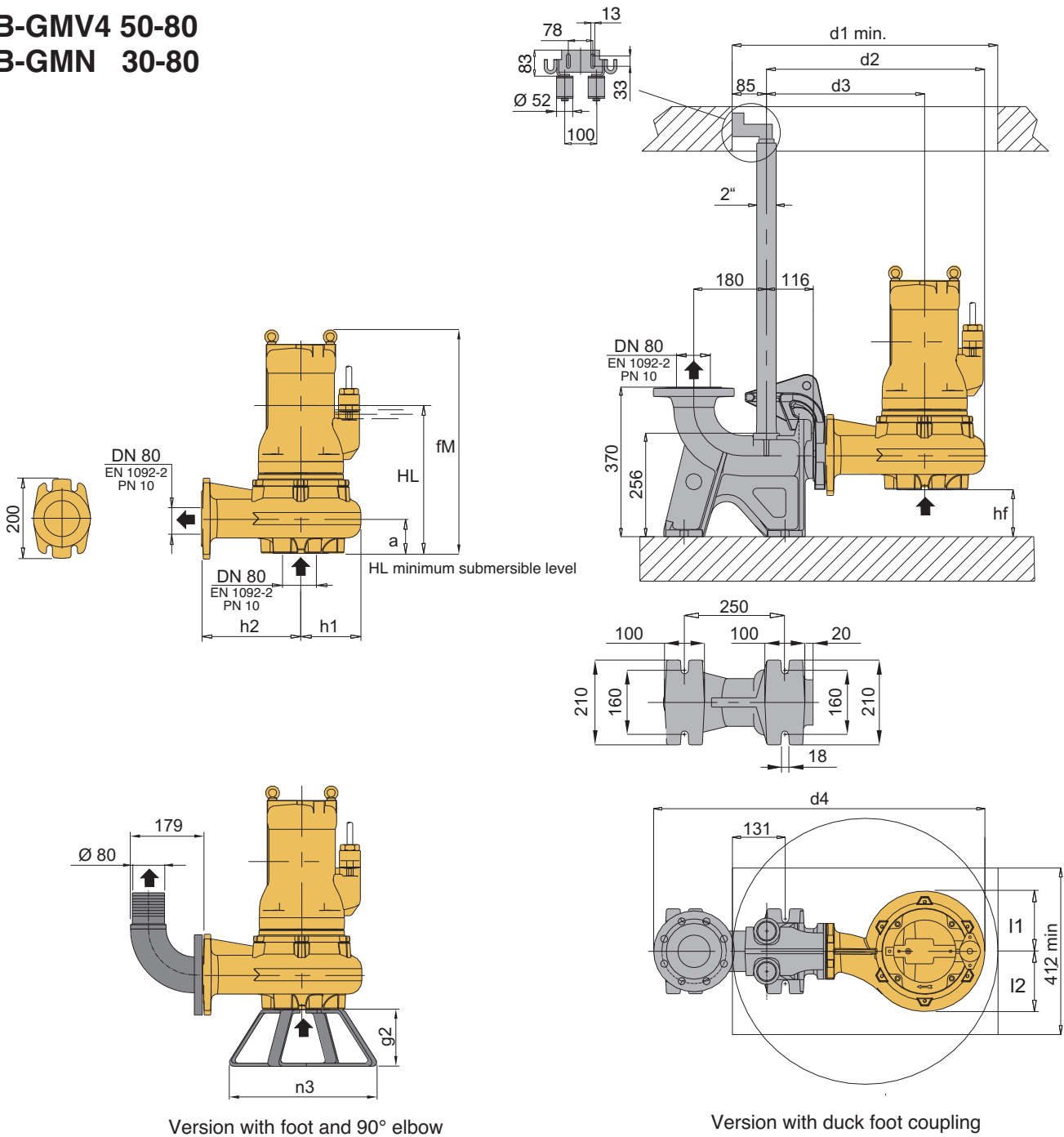
Version with foot and 90° elbow

Version with duck foot coupling

TYPE	Weight kg
B-GMN 30-65B/A	65
B-GMN 30-65A/A	

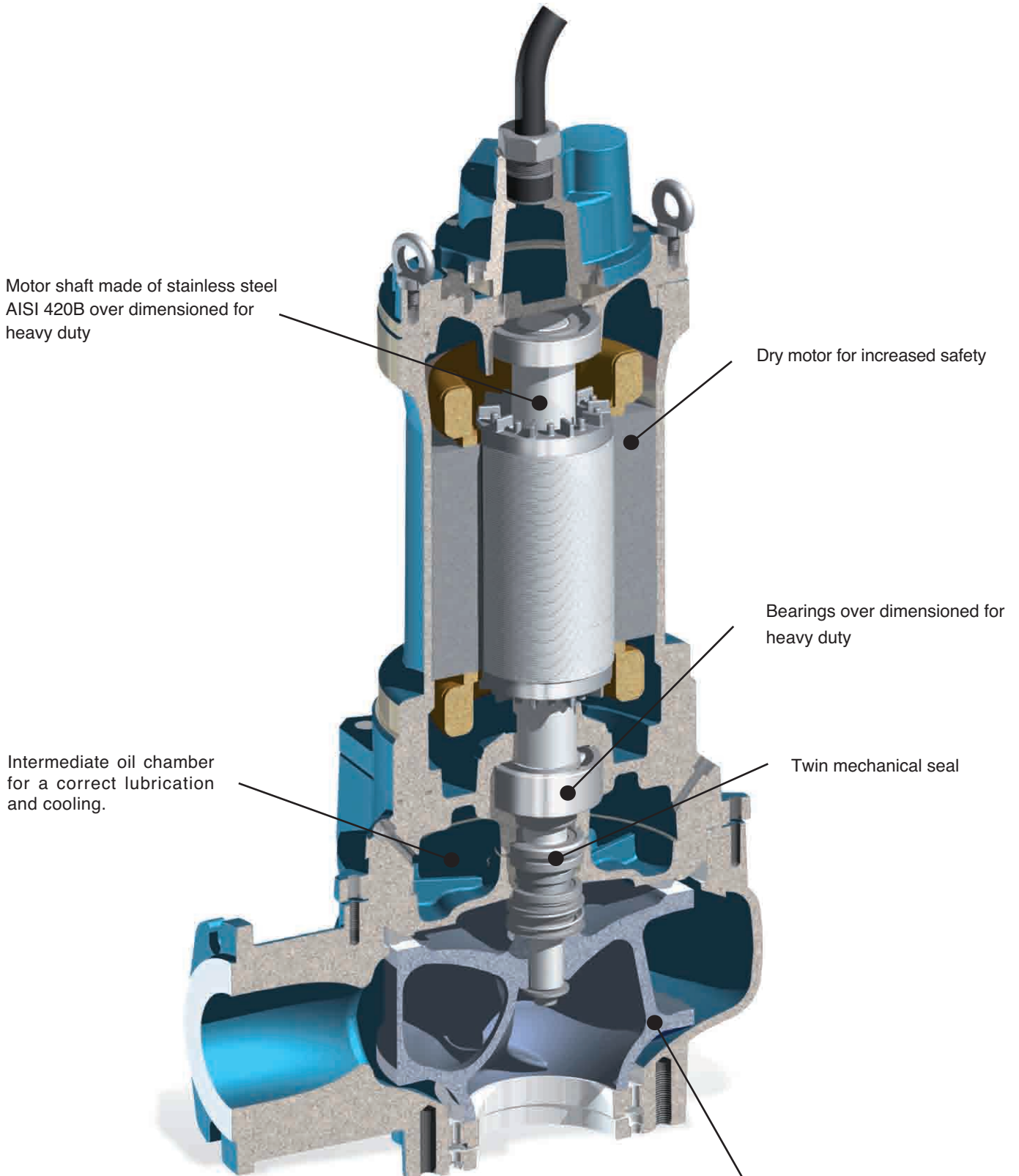
### Dimensions and weights

**B-GMV4 50-80**  
**B-GMN 30-80**



TYPE	EN 1092-2 PN 10		Dimensions mm														Weight kg
	DN1	DN2	fM	HL	hf	a	l1	l2	d1	d2	d3	d4	h1	h2	n3	g2	
B-GMV4 50-80B/A	80	80	519	363	84	116	136	157	658	511	366	791	145	220	370	140	73
B-GMV4 50-80A/A																	
B-GMN 30-80B/A	80	80	515	330	110	90	133	145	700	511	366	791	145	220	370	140	90
B-GMN 30-80A/A																	

### Features



Motor shaft made of stainless steel AISI 420B over dimensioned for heavy duty

Dry motor for increased safety

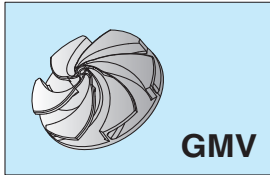
Bearings over dimensioned for heavy duty

Intermediate oil chamber for a correct lubrication and cooling.

Twin mechanical seal

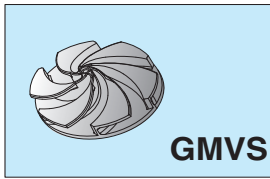
Impellers and volutes are developed to optimize the hydraulic efficiency and provide a clear exit for filamentous and solid materials.

### THE IMPELLERS



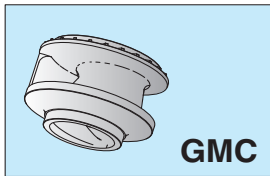
**Vortex impeller** suitable for pumping liquids containing large solids and/or fibrous materials.

**Applications:** urban sewerage systems, animal breeding plants.



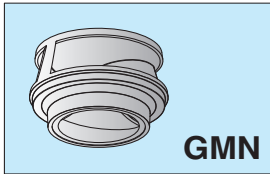
**Sand Vortex Water Impeller** in Polyurethane with a stainless steel core.

**Applications:** in plants with an high sand presence, in marble work companies, in the ceramic industry, crystals machining or industrial processes where there's presence of abrasives liquids.



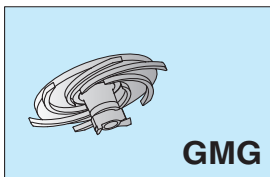
**Single channel impeller**, for liquids containing fibrous materials and/or suspended solids.

**Applications:** purification plants, tanneries, animal breeding plants.



**Closed multi-channel impeller**, for clean liquids or light solids without filamentous materials.

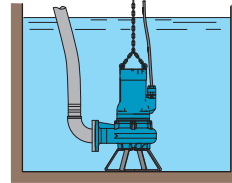
**Applications:** large drainage systems, purification plants.



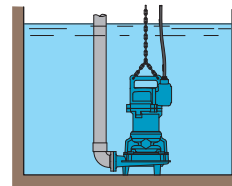
**Multi-blade suction impeller with grinder** constructed in stainless steel AISI 420, particularly suitable as a grinder for paper or textile materials.

**Applications:** clearance of waste waters originating from service stations, residential communities, camping sites, etc..

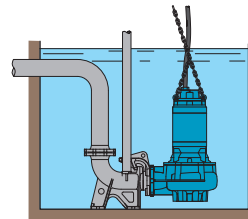
### THE STANDARD INSTALLATIONS



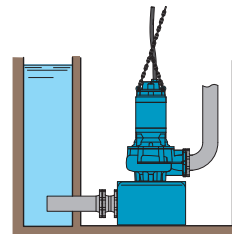
**A** Mobile and emergency installation with x-foot support



**B** Free installation and threaded elbow



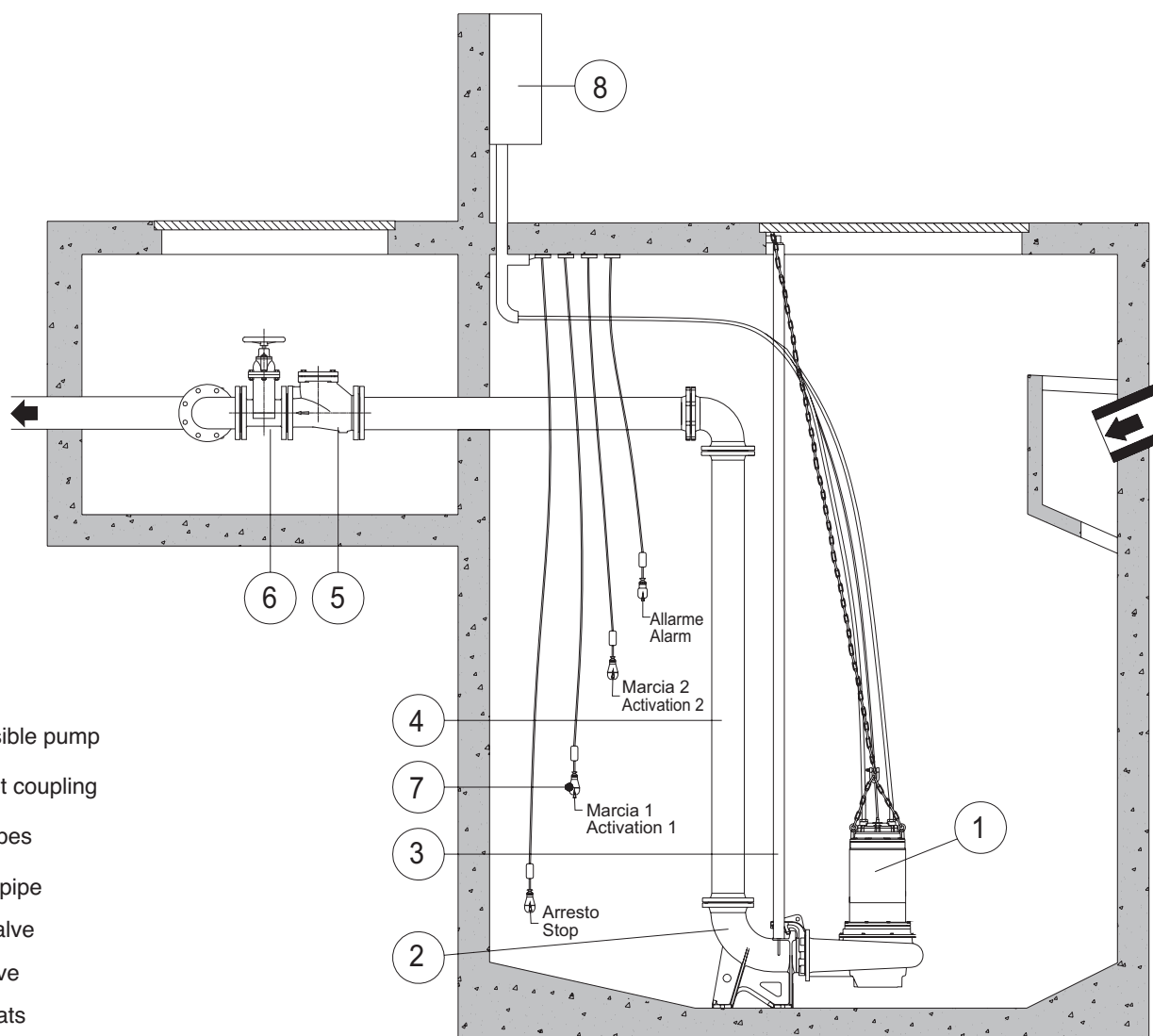
**C** Fixed installation with automatic coupling feet and guide rails.



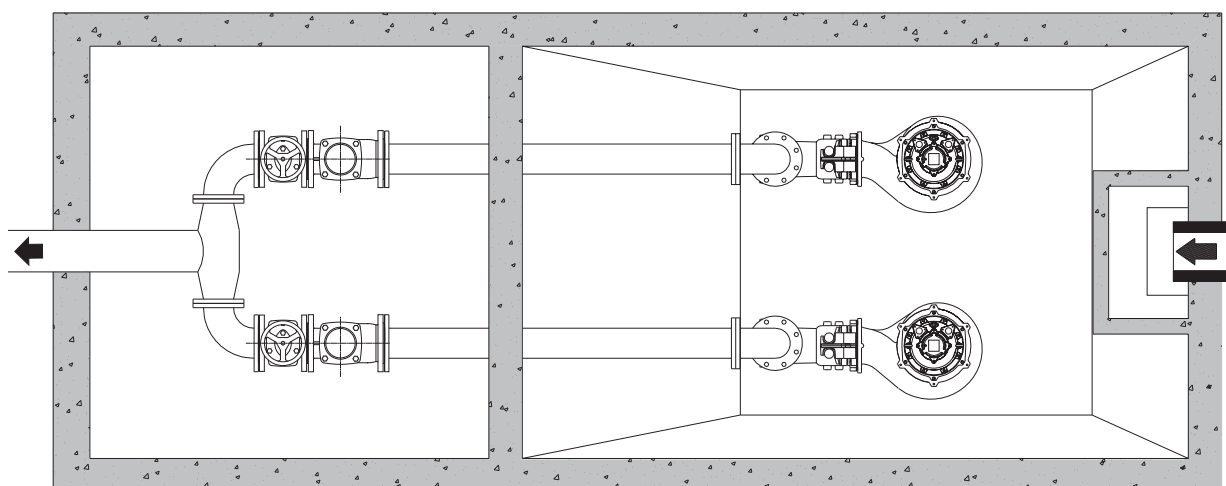
**D** Dry pit installation, with x-foot rest and suction bend. Pump equipped with cooling jacket.



### Installation with duck foot coupling



- 1 Submersible pump
- 2 Duck foot coupling
- 3 Guide pipes
- 4 Delivery pipe
- 5 Check valve
- 6 Gate valve
- 7 Level floats
- 8 Control box



### Accessories

#### Non-return ball valves

#### Construction

Non-return self-cleaning ball valves, suitable for dirty and viscous liquids, sewage water.

#### Operating conditions

Working temperature from -10°C up to +80°C

Rated pressure: 10 bar

Vertical or horizontal installation

#### Materials

Valve body: Cast iron EN-GJL-250

Cover: Cast iron EN-GJL-250

Ball: Resin for threaded VNRP

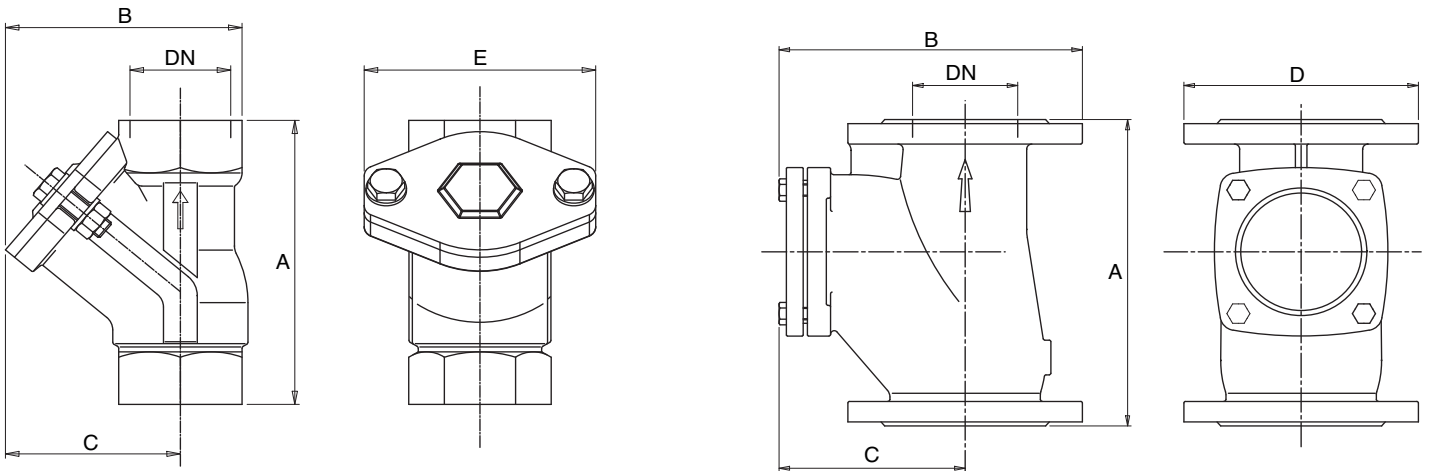
Resin + nitril for VNRP DN 50-100

Cast iron + nitril for VNRP DN 125-250

Screws: SS AISI 304

Joint: nitril

#### Dimensions



TYPE	DN mm	mm				Weight kg
		A	B	C	E	
VNRP 1 1/4	1" 1/4	132	111	83	108	1,9
VNRP 1 1/2	1" 1/2	145	122	90	120	2,4
VNRP 2	2"	173	145	110	135	3,6
VNRP 2 1/2	2" 1/2	200	175	130	155	6,5

TYPE	DN mm	mm				Weight kg
		A	B	C	D	
VNRP 50	50	182	192	120	165	9,5
VNRP 65	65	204	215	124	185	14
VNRP 80	80	260	250	150	200	19,5
VNRP 100	100	300	290	180	220	23,5
VNRP 125	125	350	340	215	250	36
VNRP 150	150	400	388	245	285	38,5
VNRP 200	200	500	480	310	340	69

# GEOTRIT

Macerating pumping system



### Construction

This macerating pumping system has been designed to pump away the waste water from a WC and a washbasin. It is possible to use it to add a new cloakroom, washroom or toilet, in a basement or loft conversion or anywhere conventional large bore pipework is impractical. The GEOTRIT macerating system is installed in a case specifically designed for horizontal outlet spigots. Installed and used correctly, this unit will give consistent and reliable service. The system has a grinder pump, clapet valve and carbon filter. GEOTRIT is provided with flexible sleeves, elbow, metal hose clips.

### Operating conditions

- Voltage: 220-240 V
- Frequency: 50 Hz
- Degree of protection: IP44
- Maximum power rating: 400 W
- Maximum current consumption: 1,9 A
- Vertical pumping: max. 4 m
- Liquid temperature up to 35 °C

### Application

GEOTRIT takes waste from :

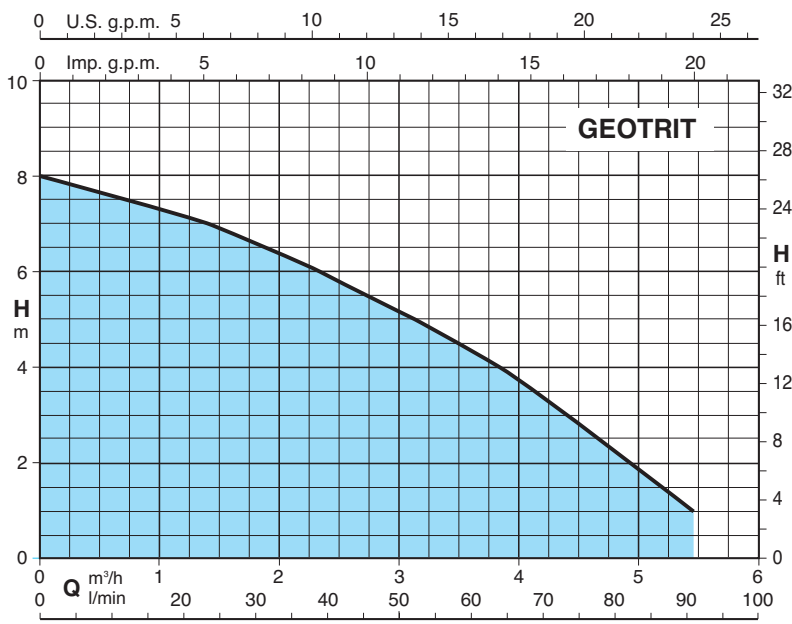


WC



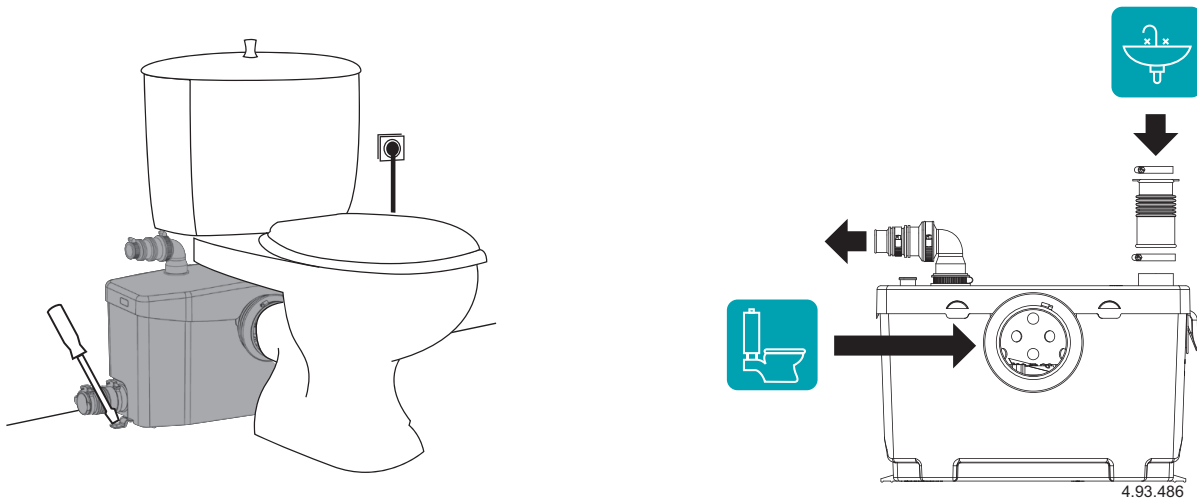
Washbasin

### Characteristic curve

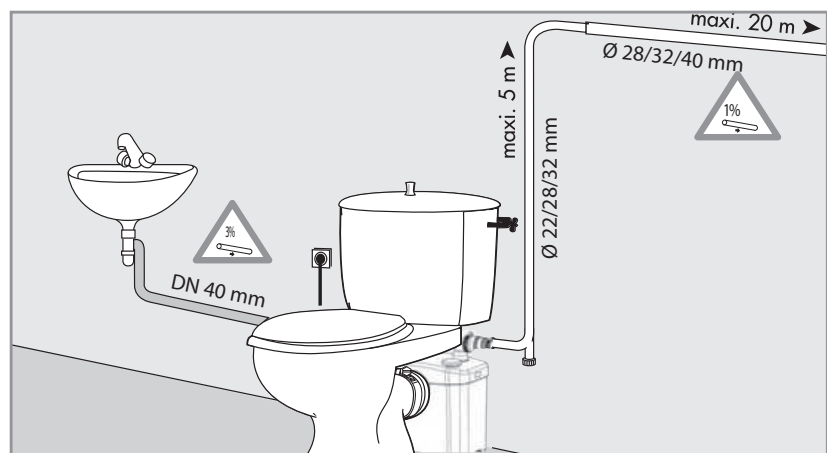
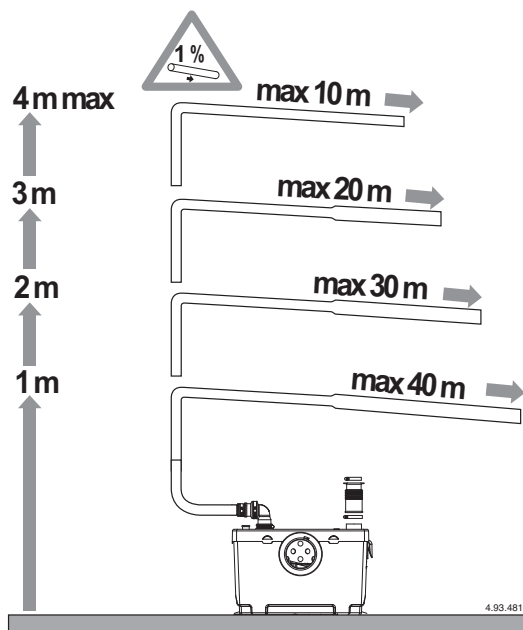


Q	m <sup>3</sup> /h	0	1,2	2,4	3,6	4,8	5,4
	l/min	0	20	40	60	80	90
H	m	8	7,1	5,9	4,3	2,2	1,1

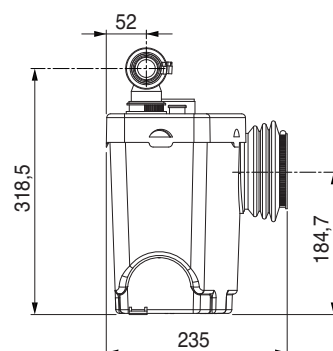
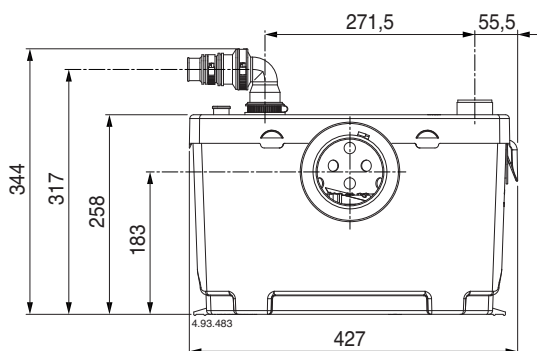
## Installation



## Performance



## Dimensions and weights



peso: kg 6,6

# GEOCOMP

Macerating pumping system



## Construction

This macerating pumping system has been designed to pump away the waste water from WC, washbasin, bidet and shower. It is possible to install a complete bathroom in a basement conversion or loft extension.

The GEOCOMP macerating system is installed in a case specifically designed for horizontal outlet spigots.

Installed and used correctly, this unit will give consistent and reliable service.

The system has a grinder pump, clapet valve and carbon filter. GEOCOMP is provided with flexible sleeves, elbow, metal hose clips.

## Operating conditions

Voltage: 220-240 V

Frequency: 50 Hz

Degree of protection: IP44

Maximum power rating: 400 W

Maximum current consumption: 1,9 A

Vertical pumping: max. 4 m

Liquid temperature up to 35 °C

## Application

GEOCOMP takes waste from :



WC



Washbasin



Bidet

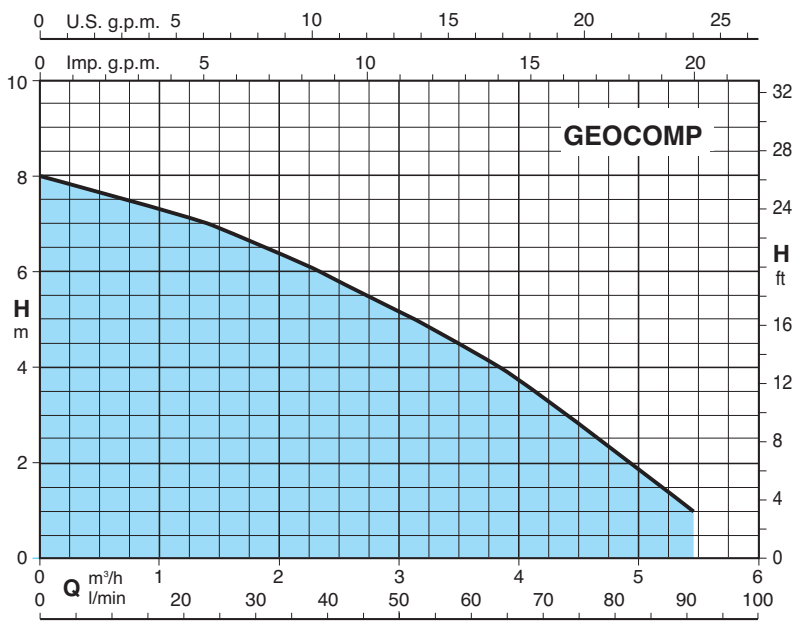


Tub



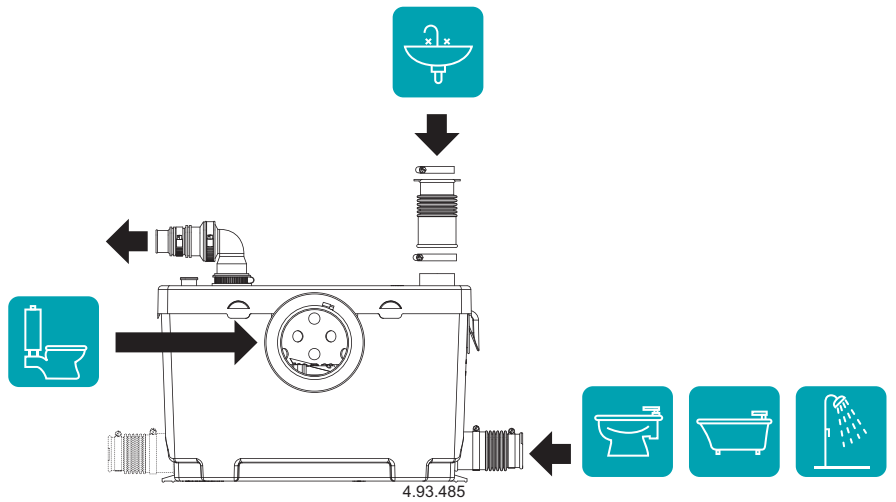
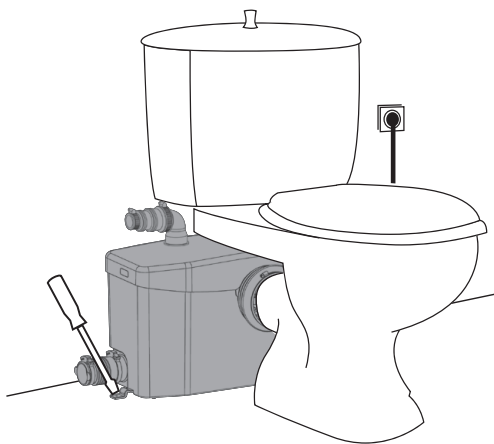
Shower

## Characteristic curve

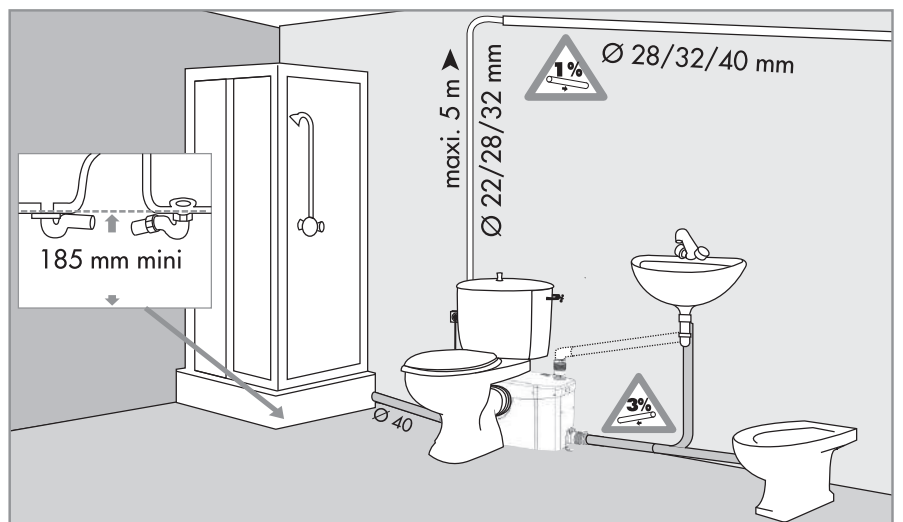
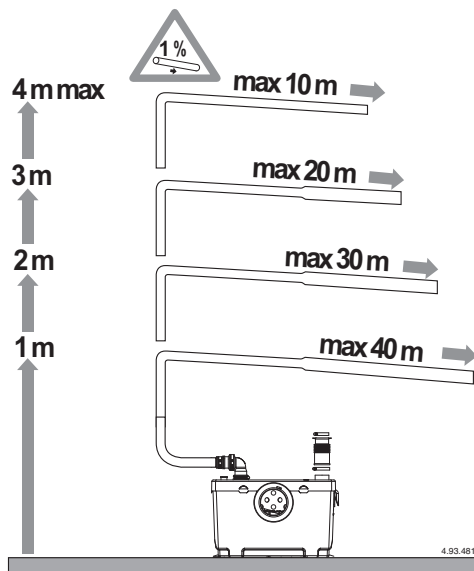


Q	m <sup>3</sup> /h	0	1,2	2,4	3,6	4,8	5,4
	l/min	0	20	40	60	80	90
H	m	8	7,1	5,9	4,3	2,2	1,1

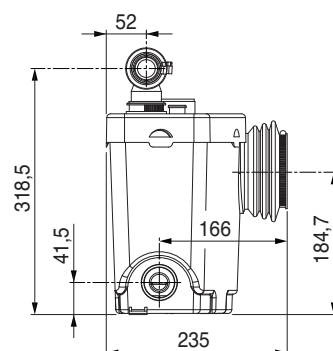
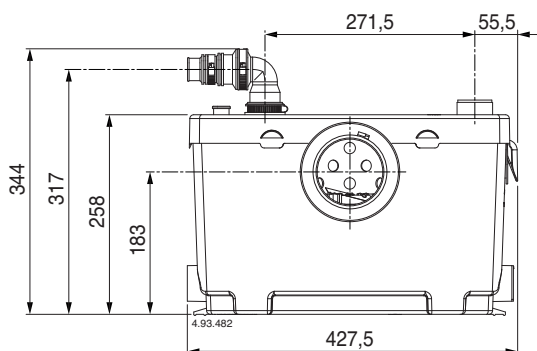
## Installation



## Performance



## Dimensions and weight



weight: kg 6,8



### Construction

The system is design to handle the evacuation water from a domestic kitchen sink, dishwasher and washing machine – all working at the same time if required.

GEOCLEAN makes the addition of a domestic kitchen or utility room easy even when below or distant from a drain.

The system has a clapet valve and it cannot be used with waste waters.

GEOCLEAN is provided with flexible sleeves, elbow, metal hose clips, plugs.

### Operating conditions

Voltage: 220-240 V

Frequency: 50 Hz

Degree of protection: IP44

Maximum power rating: 400 W

Maximum current consumption: 1,9 A

Vertical pumping: max. 5 m

Liquid temperature up to 60 °C

### Application

GEOCLEAN takes waste from :



Washbasin



Bidet



Tube



Shower



Kitchen sink

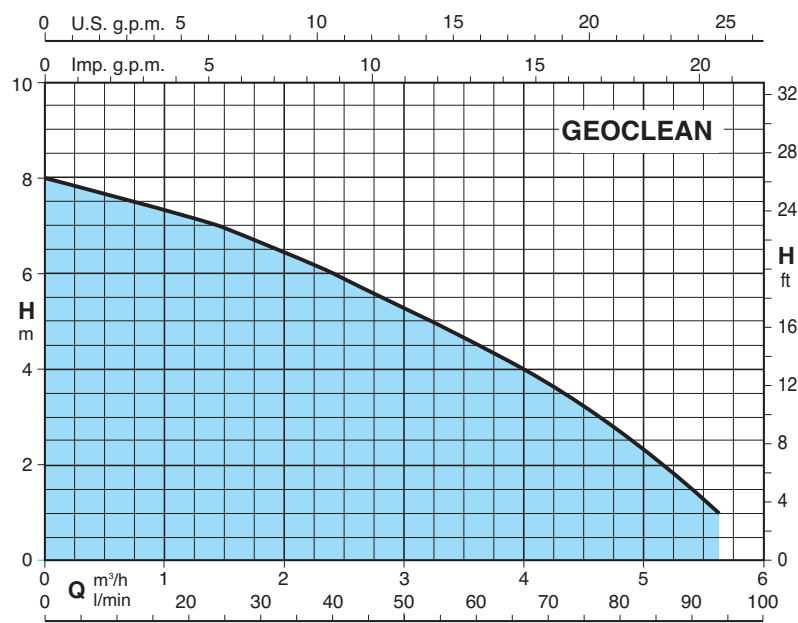


Dishwasher



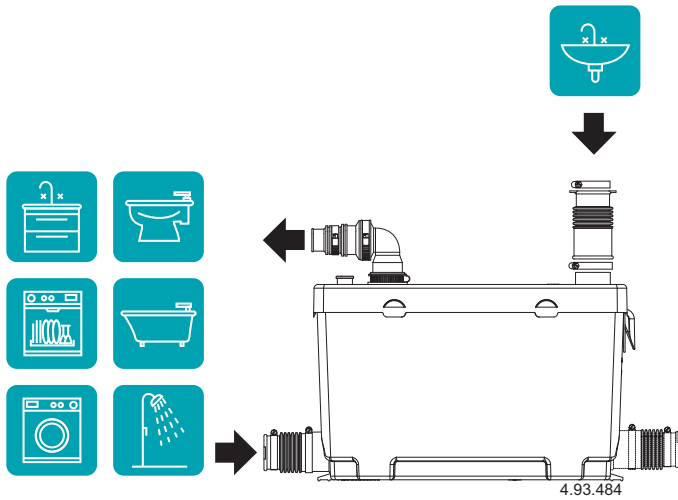
Washing machine

### Characteristic curve

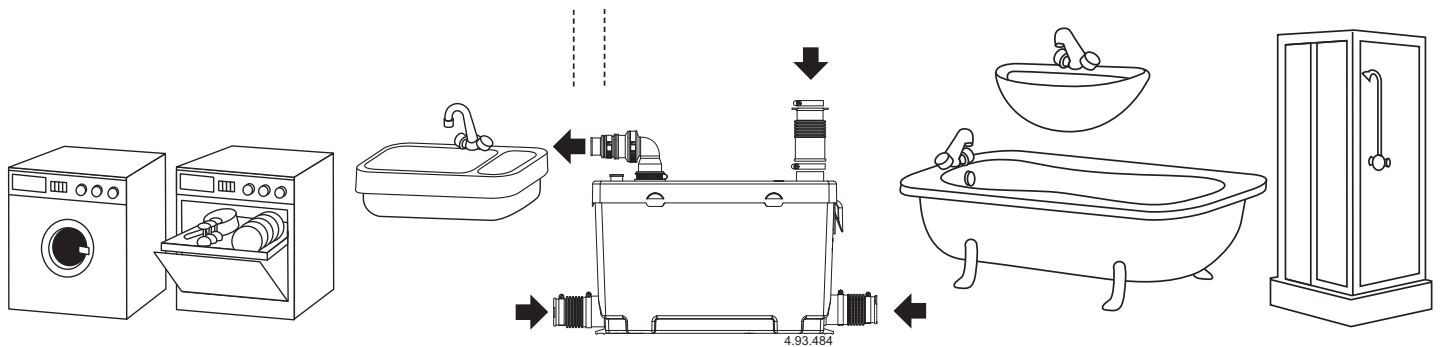
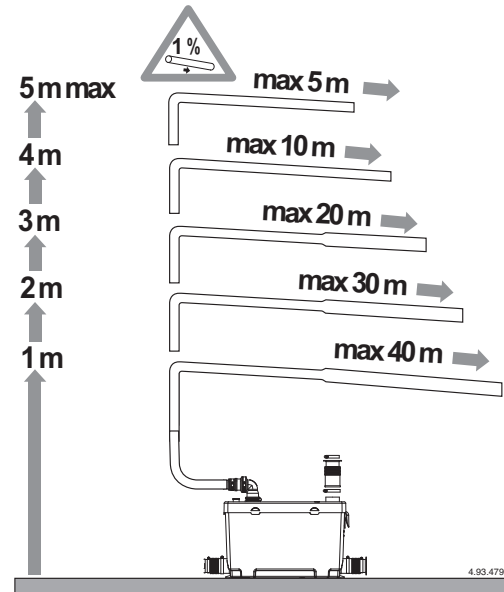


Q	m <sup>3</sup> /h	0	1,2	2,4	3,6	4,8	5,6
	l/min	0	20	40	60	80	93
H	m	8	7,1	5,9	4,5	2,7	1

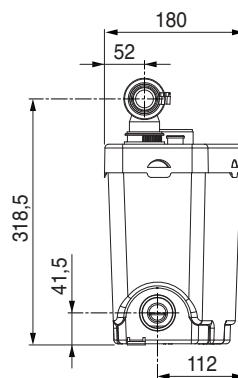
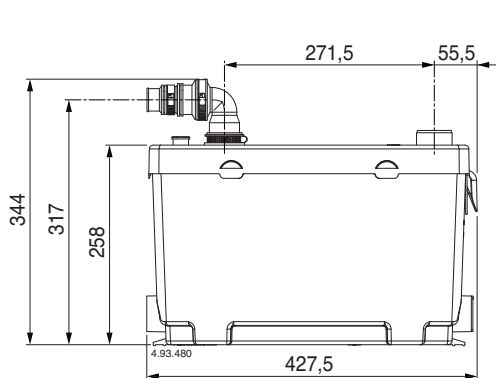
## Installation



## Performance



## Dimensions and weight



weight: kg 6,4





### Construction

Medium-density polyethylene tank, resistant to corrosion, with minimum overall dimensions.

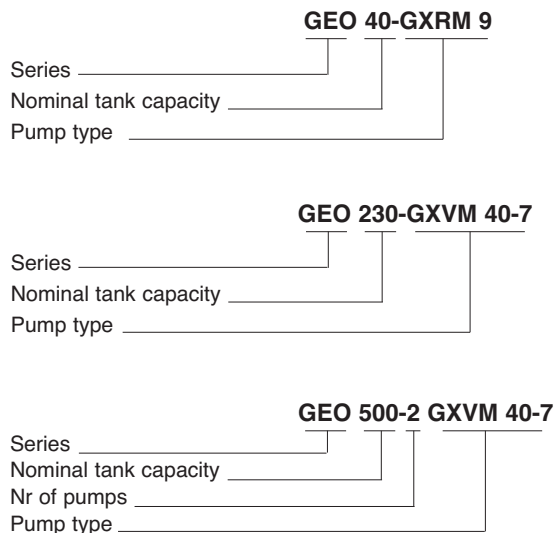
- **GEO 40** single tank with 40 liters nominal capacity for the installation of a GXR type.
- **GEO 230** single tank with 230 liters nominal capacity for the installation of an electropump type GM 10, GQ, GX or GM series.
- **GEO 500** double tank with 500 liters nominal capacity for the installation of two electropumps type GM 10, GQ, GX or GM series.

Pipe kit for electropump connection.  
Two possible installation, at ground level or underground.  
For underground installation, extensions can be used (maximum two extensions).  
Easy pump access through a cover fixed with screws.

### Applications

Automatic waste water collecting and lifting stations, to handle domestic, civil and industrial waste water.  
For collecting and lifting clean waste water and rain water.  
For flood drainage.

### Designation

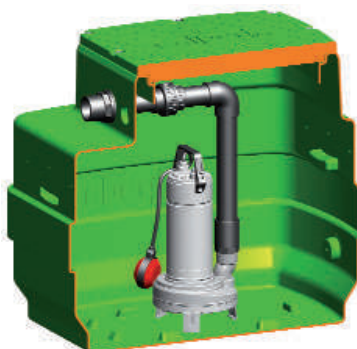


### Installation examples

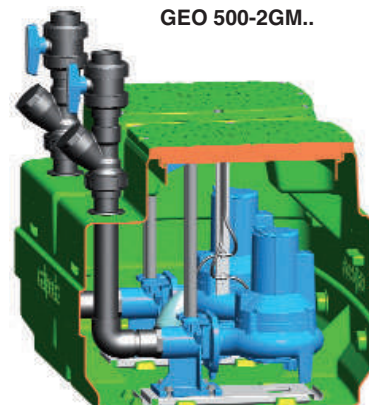
GEO 40-GXR



GEO 230-GX..



GEO 500-2GM..



### Pumps characteristics

GEO 40-GXRM

GEO 40-GXRM GF



#### Features

Automatic collecting and lifting station for clean water with GXRM pump type .

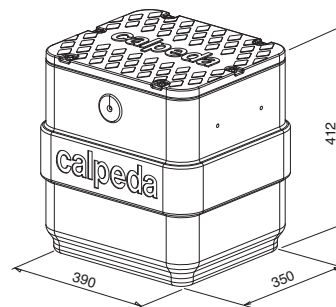
#### It includes:

- 1 tank capacity 40 l
- 1 single-phase pump with 5 m cable and float switch
- 1 non-return valve with clapet on the pump delivery side
- 1 discharge pipe kit arranged for the connection of a Ø 40 mm PVC pipe
- 1 PVC adapting nipple for Ø 40 mm inlet
- 1 connector for Ø 25 mm flexible pipe

#### On demand

- 1 pump with 10 m cable

Single-phase type	1 ~ 230 V		Q max m <sup>3</sup> /h	H max m
	kW	A		
GEO 40-GXRM 9	0,25	2,5	10,2	8,3
GEO 40-GXRM 9 GF	0,25	2,5	10,2	8,3
GEO 40-GXRM 11 GF	0,37	3,5	12	10,4
GEO 40-GXRM 13 GF	0,45	4,5	13,2	11,7



#### GXRM

Submersible drainage pump in chrome-nickel stainless steel, for clean water containing solids up to 10 mm grain size, with vertical delivery port.

Open impeller.

2-pole induction motor, 50Hz (n ≈ 2900 rpm),

Single-phase 230 V +/-10% with float switch and thermal protector.

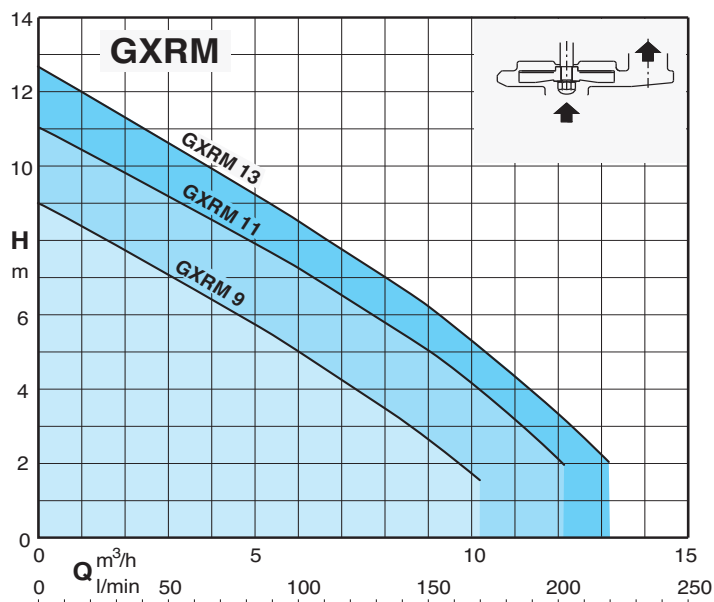
- GXRM: with standard float switch.

- GXRM .. GF: with vertical magnetic float switch.

Incorporated capacitor.

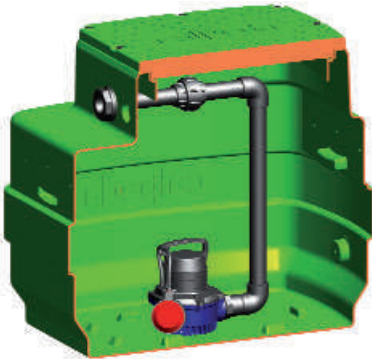
Cable length 5 m, Shuko plug.

Liquid temperature up to 35 °C



### Pumps characteristics

GEO 230-GM 10



#### Features

Automatic clear water collecting and lifting station GM 10 pump series.

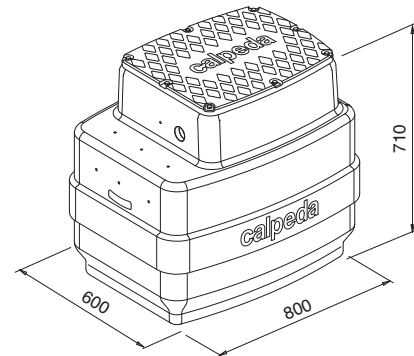
#### It includes:

- 1 tank capacity 230 l
- 1 single-phase pump with 5 m cable and float switch
- 1 control box QM 6,3 type with capacitor
- 1 discharge pipe kit Ø 40 mm in PVC

#### On demand

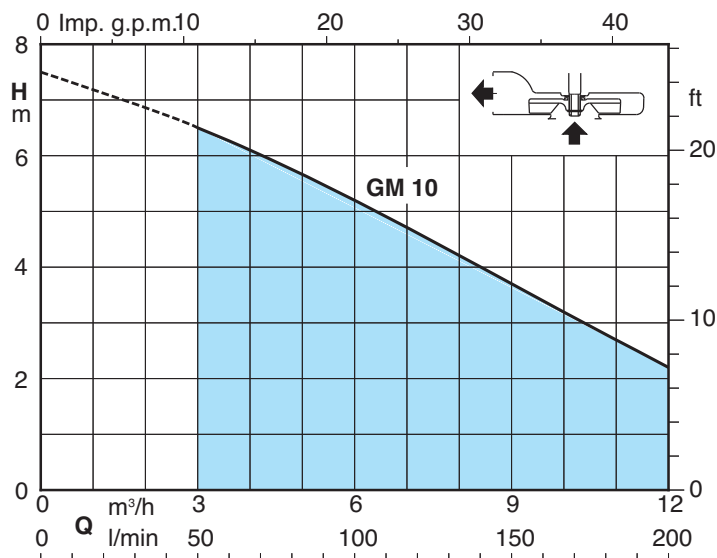
- 1 pump with 10 m cable
- 1 discharge pipe kit Ø 40 mm in PVC with a ball valve and non-return ball valve
- 1 support kit with safety float switch and auto-supplied control panel for remote alarm with horn and flashing light
- extension 300 mm

Single-phase type	1 ~ 230 V		Q max m³/h	H max m
	kW	A		
<b>GEO 230-GM 10</b>	0,3	1,75	12	6,5



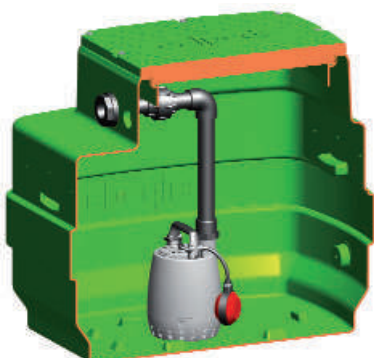
### GM 10

Submersible drainage pump constructed from composite polymers.  
 Shaft of chrome steel AISI 430.  
 2-pole induction motor, 50Hz (n ≈ 2900 rpm).  
 Single-phase 230 V +/-10% with thermal protector.  
 Float switch for automatic operation.  
 5 m cable and control box QM 6,3 with capacitor.  
 Liquid temperature up to 35 °C



### Pumps characteristics

GEO 230-GX..



#### Features

Automatic collecting and lifting station - for clean water **GXR** pump series.  
- for waste water **GXV** pump series.

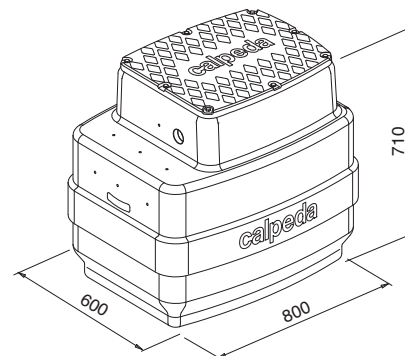
#### It includes:

1 tank capacity 230 l  
1 single-phase pump with 5 m cable and float switch  
1 discharge pipe kit Ø 40 mm in PVC

#### On demand

1 pump with 10 m cable  
1 discharge pipe kit Ø 40 mm in PVC with a ball valve and non-return ball valve  
1 support kit with safety float switch and auto-supplied control panel for remote alarm with horn and flashing light  
- extension 300 mm

Single-phase type	1 ~ 230 V		Q max m³/h	H max m
	kW	A		
GEO 230-GXVM 25-6	0,25	2,5	10,2	5,7
GEO 230-GXVM 25-8	0,37	3,5	12	7,8
GEO 230-GXVM 25-10	0,45	4,5	13,2	9,5
GEO 230-GXRM 9	0,25	2,5	10,2	8,3
GEO 230-GXRM 11	0,37	3,5	12	10,4
GEO 230-GXRM 13	0,45	4,5	13,2	11,7



GXVM

GXRM

#### GXRM, GXVM

Submersible drainage pump in chrome-nickel stainless steel, with vertical delivery port.

**GXRM**: with open impeller.

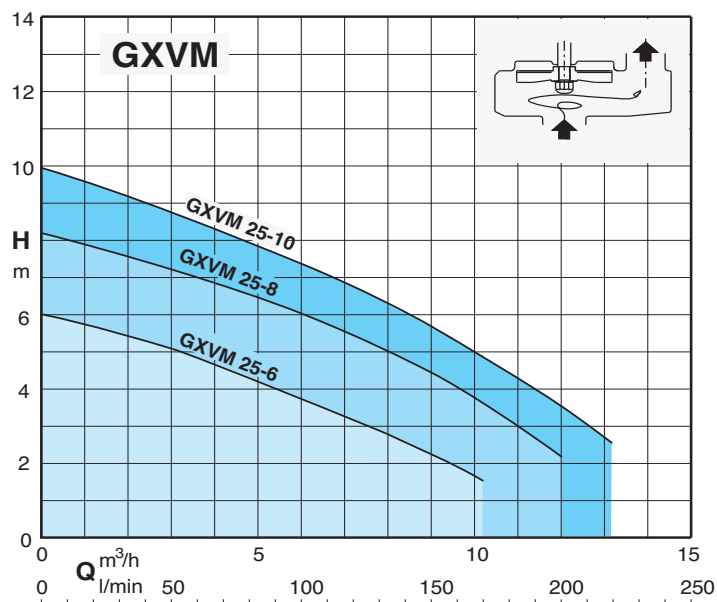
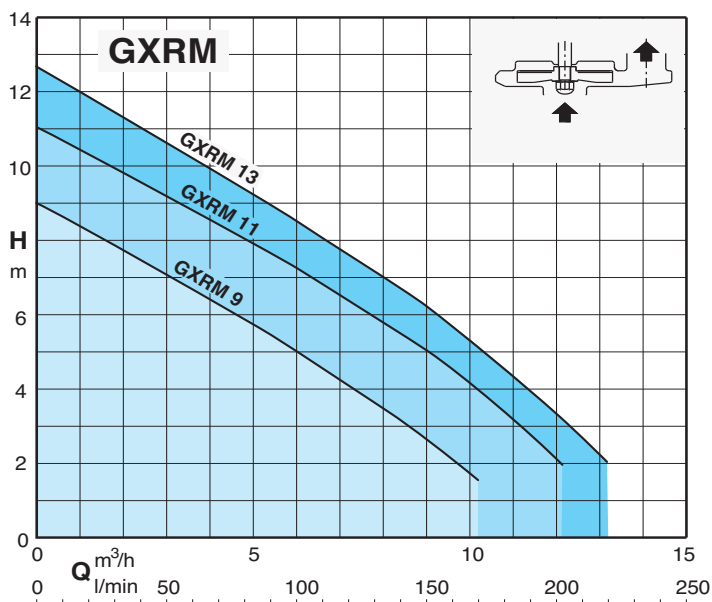
**GXVM**: with free-flow (vortex) impeller.

2-pole induction motor, 50Hz (n ≈ 2900 rpm),

Single-phase 230 V +/-10% with float switch and thermal protector. Incorporated capacitor.

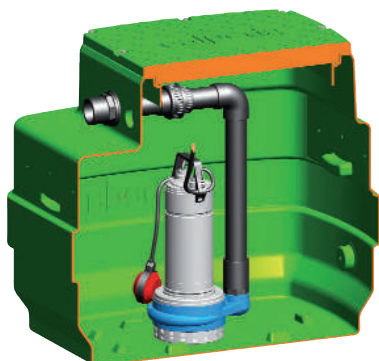
Cable length 5 m.

Liquid temperature up to 35 °C



### Pumps characteristics

GEO 230-GQR..



#### Features

Automatic collecting and lifting station for clean water with **GQR** pump series.

#### It includes:

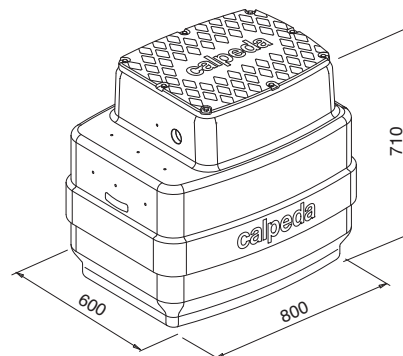
- 1 tank capacity 230 l
- 1 pump - single-phase with 10 m cable and float switch
  - three-phase with 10 m cable with support and float switch kit
- 1 control box for three-phase version
- 1 discharge pipe kit Ø 50 mm in PVC

#### On demand

- 1 discharge pipe kit Ø 50 mm in PVC with a ball valve and non-return ball valve
- 1 support kit with safety float switch and auto-supplied control panel for remote alarm with horn and flashing light
  - extension 300 mm

Single-phase type	1 ~ 230 V		Q max m³/h	H max m
	kW	A		
GEO 230-GQRM 10-10	0,45	3,1	18	9,5
GEO 230-GQRM 10-12	0,55	3,6	21	11,6
GEO 230-GQRM 10-14	0,75	4,6	24	13,5
GEO 230-GQRM 10-16	0,9	6	27	15,5
GEO 230-GQRM 10-18	1,1	8	30	17,5
GEO 230-GQRM 10-20	1,5	13	30	19,5

Three-phase type	3 ~ 400 V		Q max m³/h	H max m
	kW	A		
GEO 230-GQR 10-10	0,45	1,2	18	9,5
GEO 230-GQR 10-12	0,55	1,4	21	11,6
GEO 230-GQR 10-14	0,75	1,6	24	13,5
GEO 230-GQR 10-16	0,9	2,3	27	15,5
GEO 230-GQR 10-18	1,1	2,8	30	17,5
GEO 230-GQR 10-20	1,5	3,8	30	19,5



#### GQR

Single-impeller submersible drainage pump, with vertical delivery port.

**GQR:** with open impeller.

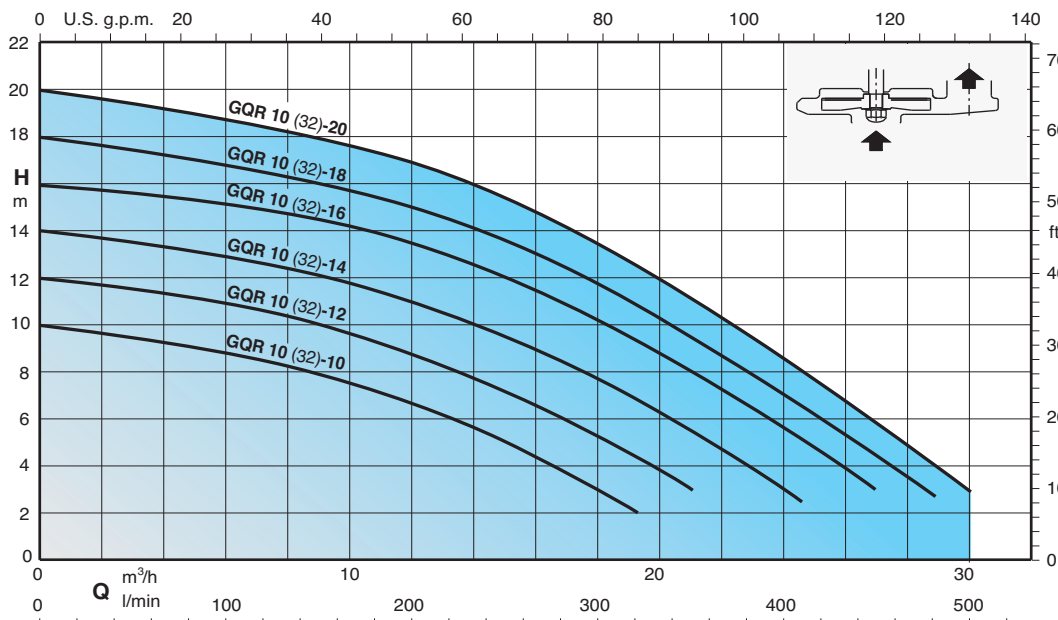
2-pole induction motor, 50Hz (n ≈ 2900 rpm),

**GQR:** three-phase 400 V +/-10%;

**GQRM:** Single-phase 230 V +/-10% with float switch and thermal protector. Incorporated capacitor.

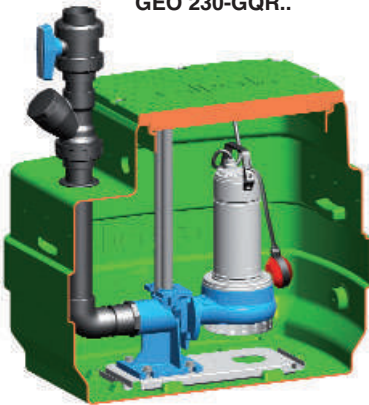
Cable length 10 m.

Liquid temperature up to 35 °C



### Pumps characteristics

GEO 230-GQR..



#### Features

Automatic collecting and lifting station for clean water with GQR pump series.

#### It includes:

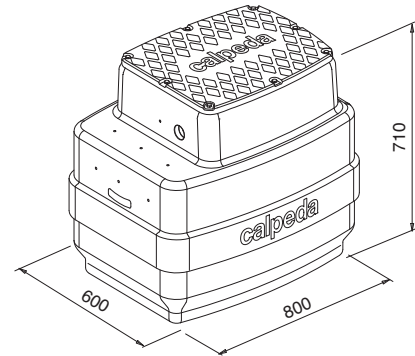
- 1 tank capacity 230 l
- 1 pump - single-phase 10 m cable and float switch
  - three-phase with 10 cable with support kit and float switch
- 1 control box for three-phase version
- 1 duck foot coupling kit
- 1 discharge pipe kit Ø 63 mm in PVC with a ball valve and non-return ball valve

#### On demand

- 1 safety float switch (with support for single-phase version) and auto-supplied control panel for remote alarm with horn and flashing light - extension 300 mm

Single-phase type	1 ~ 230 V		Q max m³/h	H max m
	kW	A		
GEO 230-GQRM 10 32-10	0,45	3,1	18	9,5
GEO 230-GQRM 10 32-12	0,55	3,6	21	11,6
GEO 230-GQRM 10 32-14	0,75	4,6	24	13,5
GEO 230-GQRM 10 32-16	0,9	6	27	15,5
GEO 230-GQRM 10 32-18	1,1	8	30	17,5
GEO 230-GQRM 10 32-20	1,5	13	30	19,5

Three-phase type	3 ~ 400 V		Q max m³/h	H max m
	kW	A		
GEO 230-GQR 10 32-10	0,45	1,2	18	9,5
GEO 230-GQR 10 32-12	0,55	1,4	21	11,6
GEO 230-GQR 10 32-14	0,75	1,6	24	13,5
GEO 230-GQR 10 32-16	0,9	2,3	27	15,5
GEO 230-GQR 10 32-18	1,1	2,8	30	17,5
GEO 230-GQR 10 32-20	1,5	3,8	30	19,5



#### GQR

Single-impeller submersible drainage pump, with horizontal delivery port.

**GQR:** with open impeller.

2-pole induction motor, 50Hz (n ≈ 2900 rpm),

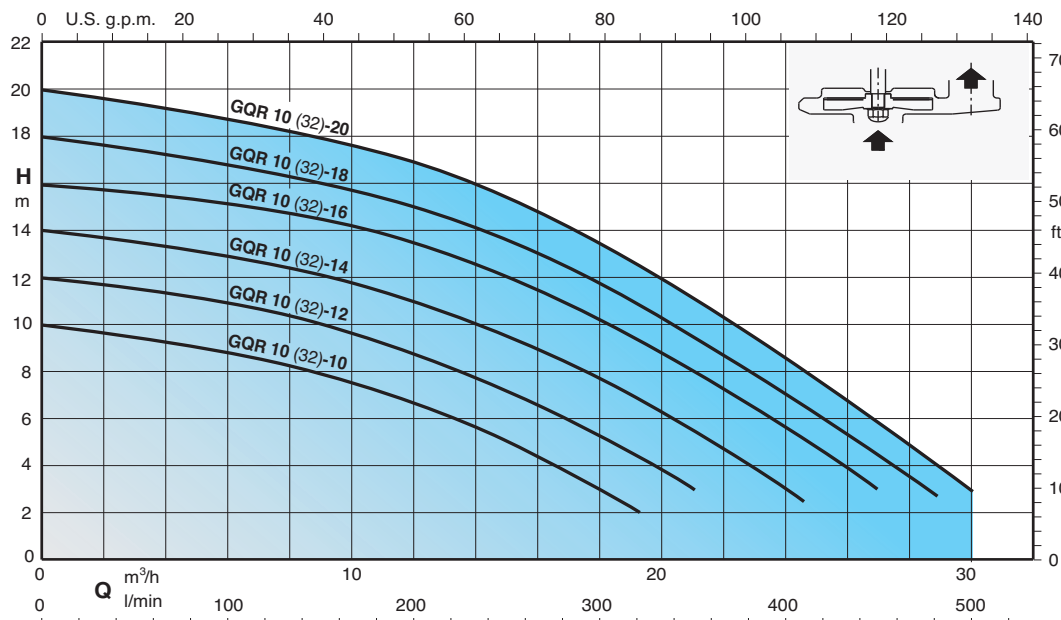
**GQR:** three-phase 400 V +/-10%;

**GQRM:** Single-phase 230 V +/-10% with float switch and thermal protector.

Incorporated capacitor.

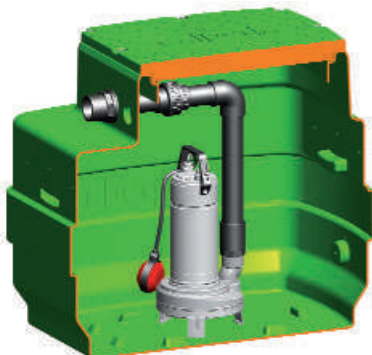
Cable length 10 m.

Liquid temperature up to 35 °C



### Pumps characteristics

GEO 230-GX..



#### Features

Automatic waste water collecting and lifting station GX 40 pump series.

#### It includes:

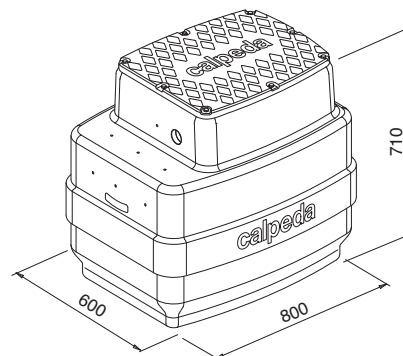
- 1 tank capacity 230 l
- 1 pump - single-phase with 10 m cable and float switch
  - three-phase with 10 m cable with support and float switch kit
- 1 control box for three-phase version
- 1 discharge pipe kit Ø 50 mm in PVC

#### On demand

- 1 discharge pipe kit Ø 50 mm in PVC with a ball valve and non-return ball valve
- 1 safety float switch (with support for single-phase version) and auto-supplied control panel for remote alarm with horn and flashing light
  - extension 300 mm

Single-phase type	1 ~ 230 V		Q max m³/h	H max m
	kW	A		
GEO 230-GXCM 40-10	0,55	4,6	21	9
GEO 230-GXCM 40-13	0,9	6,6	26	11,6
GEO 230-GXVM 40-7	0,55	4,6	15	6,2
GEO 230-GXVM 40-8	0,75	5,4	18	7,2
GEO 230-GXVM 40-9	0,9	6	21	8,1

Three-phase type	3 ~ 400 V		Q max m³/h	H max m
	kW	A		
GEO 230-GXC 40-10	0,55	1,6	21	9
GEO 230-GXC 40-13	0,9	2,3	26	11,6
GEO 230-GXV 40-7	0,55	1,6	15	6,2
GEO 230-GXV 40-8	0,75	2,2	18	7,2
GEO 230-GXV 40-9	0,9	2,3	21	8,1



#### GXC, GXV

Submersible sewage and drainage pumps in chrome-nickel stainless steel, with vertical delivery port.

**GXC**, with two-passage impeller.

**GXV**: with free-flow (vortex) impeller

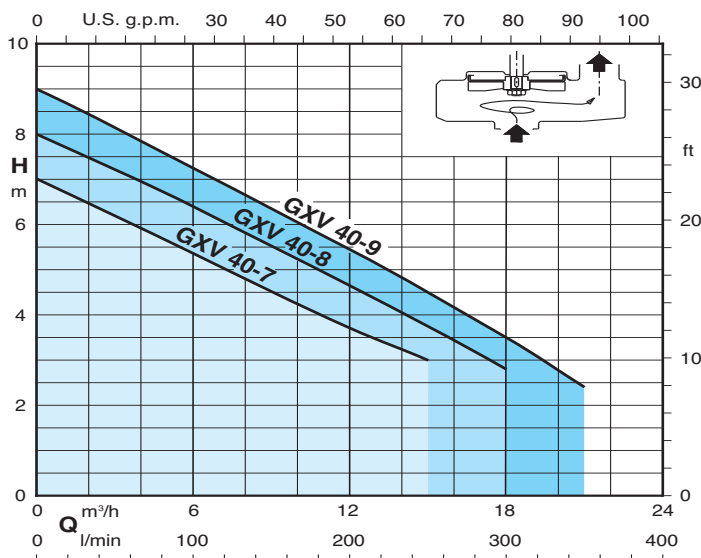
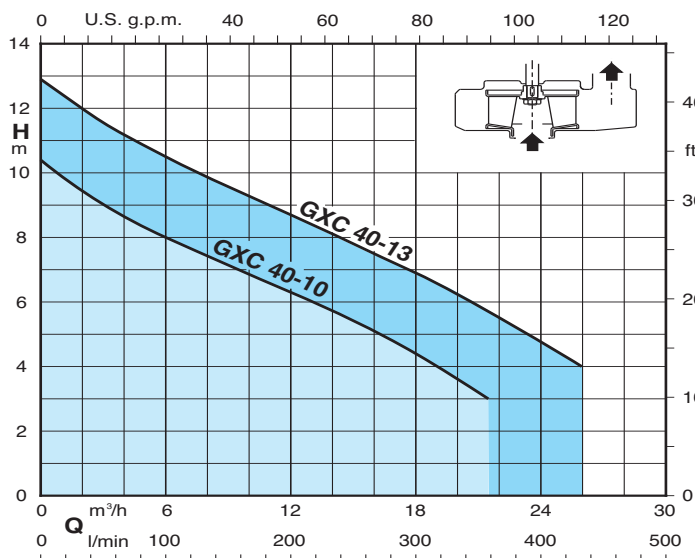
2-pole induction motor, 50Hz (n ≈ 2900 rpm).

**GXC, GXV**: three-phase 400 V; +/-10%

**GXCM, GXVM**: single-phase 230 V +/-10%, with float switch and thermal protector.  
Incorporated capacitor.

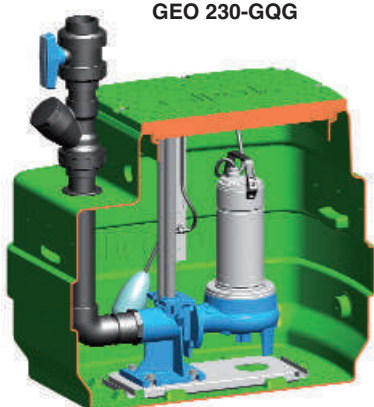
Cable length 10 m.

Liquid temperature up to 35 °C



### Pumps characteristics

GEO 230-GQG



#### Features

Automatic sewage water collecting and lifting station with grinder pumps GQG series.

#### It includes:

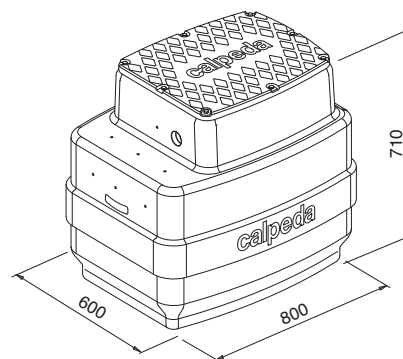
- 1 tank capacity 230 l
- 1 pump - single-phase with 10 m cable without float switch  
- three-phase with 10 m cable
- 1 support kit with float switch
- 1 control box (with capacitor for single-phase motors)
- 1 duck foot coupling kit
- 1 discharge pipe kit Ø 63 mm in PVC with a ball valve and non-return ball valve

#### On demand

- 1 safety float switch and auto-supplied control panel for remote alarm with horn and flashing light
- extension 300 mm

Single-phase type	1 ~ 230 V		Q max m³/h	H max m
	kW	A		
GEO 230-GQGM 6-18	0,9	7	13,2	16,5
GEO 230-GQGM 6-21	1,1	7,5	15	19,2
GEO 230-GQGM 6-25	1,5	9,5	16,8	23

Three-phase type	3 ~ 400 V		Q max m³/h	H max m
	kW	A		
GEO 230-GQG 6-18	0,9	2,3	13,2	16,5
GEO 230-GQG 6-21	1,1	2,8	15	19,2
GEO 230-GQG 6-25	1,5	3,8	16,8	23



#### GQG

Submersible pumps with high power grinder, with horizontal delivery port.

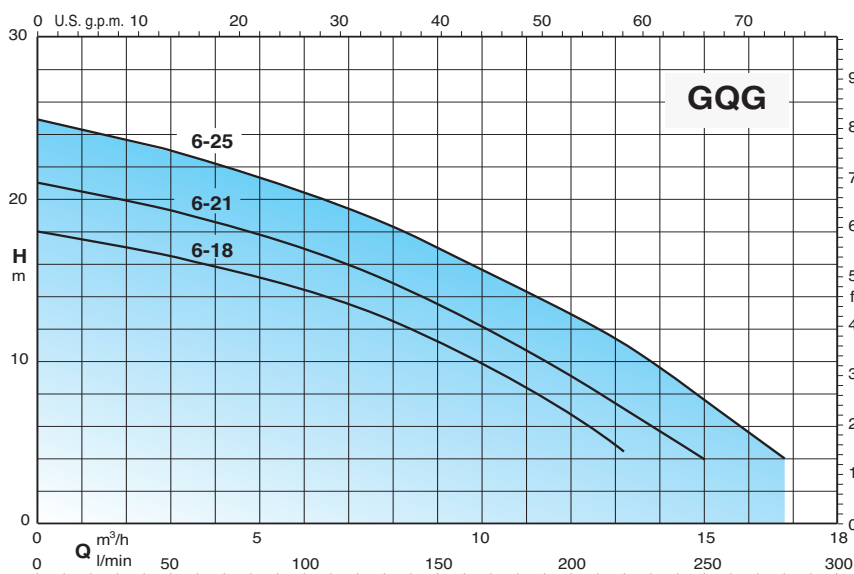
2-pole induction motor, 50Hz (n ≈ 2900 rpm)

**GQG:** three-phase 400 V +/-10%;

**GQGM:** Single-phase 230 V +/-10% complete control box with thermal protector and capacitors (without float switch).

10 m cable.

Liquid temperature up to 35 °C.

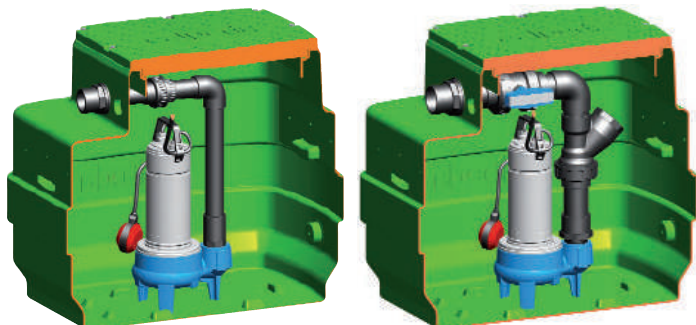




### Pumps characteristics

GEO 230-GQS 40

GEO 230-GQS 50



### Features

Automatic waste water collecting and lifting station GQS series.

### It includes:

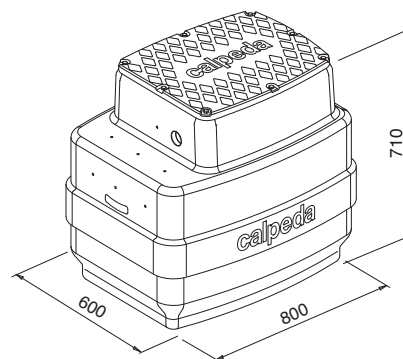
- 1 tank capacity 230 l
- 1 pump - single-phase 10 m cable and float switch
  - three-phase with 10 cable with support kit and float switch
- 1 control box for three-phase version
- For GQS 40: 1 discharge pipe kit Ø 50 mm in PVC
- For GQS 50: 1 discharge pipe kit Ø 63 mm in PVC with a ball valve and non-return ball valve

### On demand

- For GQS 40: 1 discharge pipe kit Ø 50 mm in PVC with a ball valve and non-return ball valve
- 1 safety float switch (with support for single-phase version) and auto-supplied control panel for remote alarm with horn and flashing light
  - extension 300 mm

Single-phase type	1 ~ 230 V		Q max m³/h	H max m
	kW	A		
GEO 230-GQSM 40-9	0,45	4,5	21	8,8
GEO 230-GQSM 50-8	0,55	4,3	24	7,4
GEO 230-GQSM 50-9	0,75	4,8	27	8,8
GEO 230-GQSM 50-11	0,9	6,6	33	10,5
GEO 230-GQSM 50-13	1,1	8,4	36	12,5
GEO 230-GQSM 50-15	1,5	13	36	14,4

Three-phase type	3 ~ 400 V		Q max m³/h	H max m
	kW	A		
GEO 230-GQS 40-9	0,45	1,6	21	8,8
GEO 230-GQS 50-8	0,55	1,5	24	7,4
GEO 230-GQS 50-9	0,75	1,8	27	8,8
GEO 230-GQS 50-11	0,9	2,3	33	10,5
GEO 230-GQS 50-13	1,1	3	36	12,5
GEO 230-GQS 50-15	1,5	4	36	14,4



### GQS

Single-impeller submersible pumps, with vertical delivery port.

**GQS:** with free-flow (vortex) impeller

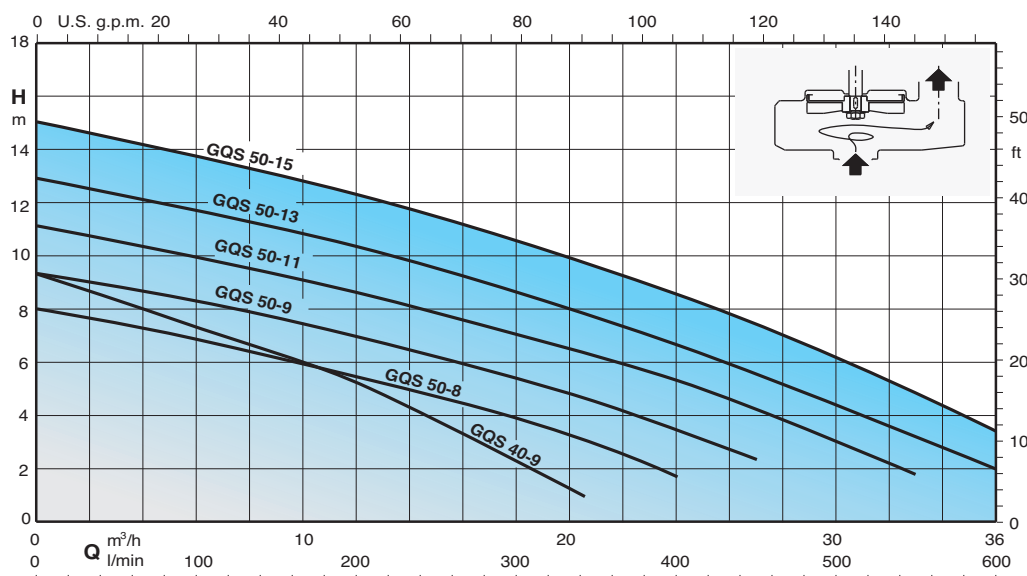
2-pole induction motor, 50Hz (n ≈ 2900 rpm)

**GQS:** three-phase 400 V +/-10%;

**GQSM:** single-phase 230 V +/-10%, with float switch and thermal protector. Incorporated capacitor.

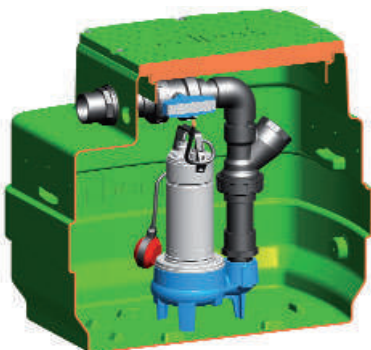
Cable length 10 m.

Liquid temperature up to 35 °C



### Pumps characteristics

GEO 230-GQN



#### Features

Automatic waste water collecting and lifting station GQN series.

#### It includes:

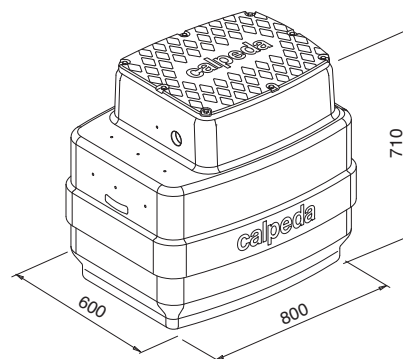
- 1 tank capacity 230 l
- 1 pump - single-phase 10 m cable and float switch
  - three-phase with 10 cable with support kit and float switch
- 1 control box for three-phase version
- 1 discharge pipe kit Ø 63 mm in PVC with a ball valve and non-return ball valve

#### On demand

- 1 safety float switch (with support for single-phase version) and auto-supplied control panel for remote alarm with horn and flashing light
- extension 300 mm

Single-phase type	1 ~ 230 V		Q max m³/h	H max m
	kW	A		
GEO 230-GQNM 50-13	0,9	6,6	36	11,6
GEO 230-GQNM 50-15	1,1	8,4	42	13,5
GEO 230-GQNM 50-17	1,5	12	48	15,7

Three-phase type	3 ~ 400 V		Q max m³/h	H max m
	kW	A		
GEO 230-GQN 50-13	0,9	2,3	36	11,6
GEO 230-GQN 50-15	1,1	3,3	42	13,5
GEO 230-GQN 50-17	1,5	4,5	48	15,7



#### GQN

Single-impeller submersible pumps, with vertical delivery port.

**GQN:** with channels impeller (with two-passage)

2-pole induction motor, 50Hz (n ≈ 2900 rpm)

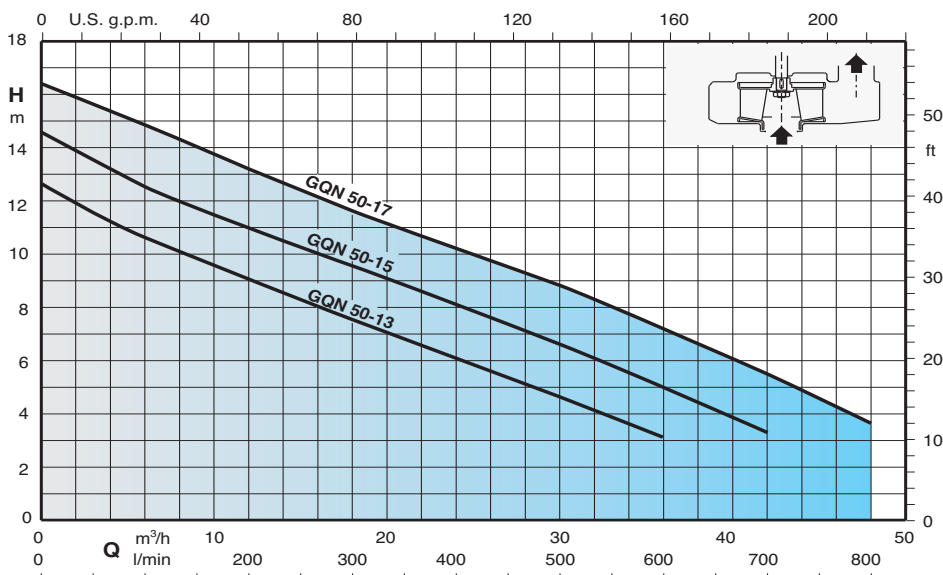
**GQN:** three-phase 400 V +/-10%;

**GQNM:** single-phase 230 V +/-10%, with float switch and thermal protector.

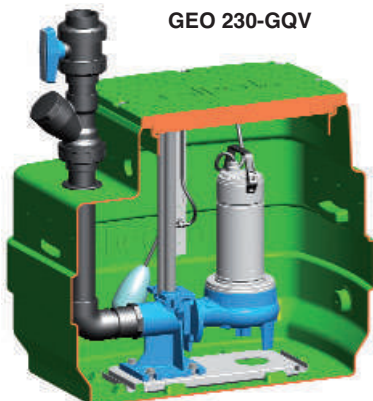
Incorporated capacitor.

Cable length 10 m.

Liquid temperature up to 35 °C



### Pumps characteristics



GEO 230-GQV

#### Features

Automatic waste water collecting and lifting station GQV series.

#### It includes:

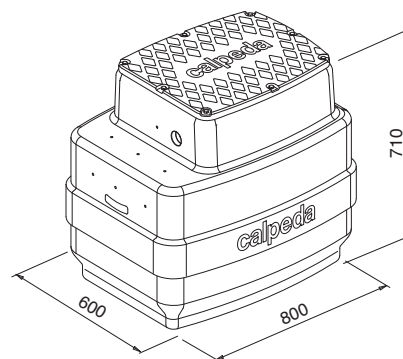
- 1 tank capacity 230 l
- 1 pump - single-phase with 10 m cable, without float switch
- three-phase with 10 cable, without float switch
- 1 support kit with float switch
- 1 control box
- 1 duck foot coupling kit
- 1 discharge pipe kit Ø 63 mm in PVC/inox with a ball valve and non-return ball valve

#### On demand

- 1 safety float switch and auto-supplied control panel for remote alarm with horn and flashing light
- extension 300 mm

Single-phase type	1 ~ 230 V		Q max m³/h	H max m
	kW	A		
GEO 230-GQVM 50-8	0,55	4,3	24	7,4
GEO 230-GQVM 50-9	0,75	4,8	27	8,8
GEO 230-GQVM 50-11	0,9	6,6	33	10,5
GEO 230-GQVM 50-13	1,1	8,4	36	12,5
GEO 230-GQVM 50-15	1,5	13	36	14,4

Three-phase type	3 ~ 400 V		Q max m³/h	H max m
	kW	A		
GEO 230-GQV 50-8	0,55	1,5	24	7,4
GEO 230-GQV 50-9	0,75	1,8	27	8,8
GEO 230-GQV 50-11	0,9	2,3	33	10,5
GEO 230-GQV 50-13	1,1	3	36	12,5
GEO 230-GQV 50-15	1,5	4	36	14,4



#### GQV

Single-impeller submersible pumps, with horizontal delivery port.

**GQV:** with free-flow (vortex) impeller

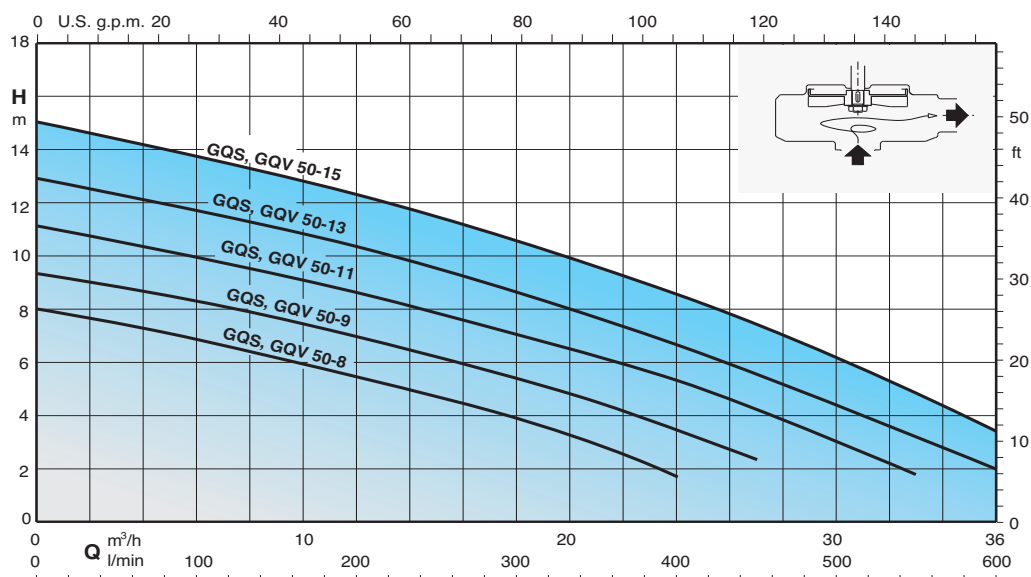
2-pole induction motor, 50Hz (n ≈ 2900 rpm)

**GQV:** three-phase 400 V +/-10%;

**GQVM:** single-phase 230 V +/-10%, with thermal protector, with built-in capacitor (without float switch).

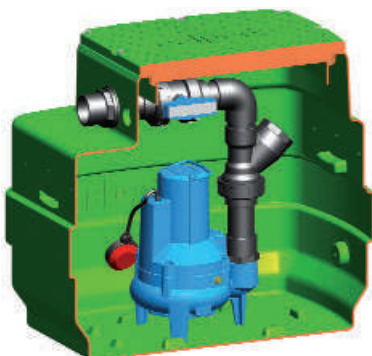
Cable length 10 m.

Liquid temperature up to 35 °C



### Pumps characteristics

GEO 230-GM..



#### Features

Automatic waste water collecting and lifting station GMV, GMC series.

#### It includes:

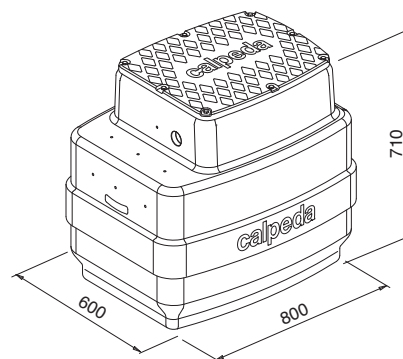
- 1 tank capacity 230 l
- 1 pump - single-phase 10 m cable and float switch
  - three-phase with 10 cable with support kit and float switch
- 1 control box for three-phase version
- 1 discharge pipe kit Ø 63 mm in PVC with a ball valve and non-return ball valve

#### On demand

- 1 safety float switch (with support for single-phase version) and auto-supplied control panel for remote alarm with horn and flashing light
- extension 300 mm

Single-phase type	1 ~ 230 V		Q max m³/h	H max m
	kW	A		
GEO 230-GMCM 50CE	0,75	4,5	36	9,5
GEO 230-GMCM 50BE	1,1	6,5	42	12,5
GEO 230-GMVM 50CE	0,75	4,5	31	8
GEO 230-GMVM 50BE	1,1	6,5	35	9,5

Three-phase type	3 ~ 400 V		Q max m³/h	H max m
	kW	A		
GEO 230-GMC 50CE	0,75	1,9	36	9,5
GEO 230-GMC 50BE	1,1	2,7	42	12,5
GEO 230-GMC 50AE	1,5	3,8	48	14,5
GEO 230-GMV 50CE	0,75	1,9	31	8
GEO 230-GMV 50BE	1,1	2,7	35	9,5
GEO 230-GMV 50AE	1,5	3,8	39	11,5



#### GMC, GMV

Submersible sewage and drainage pumps.

**GMC**, with single-channel impeller.

**GMV**, with free-flow (vortex) impeller.

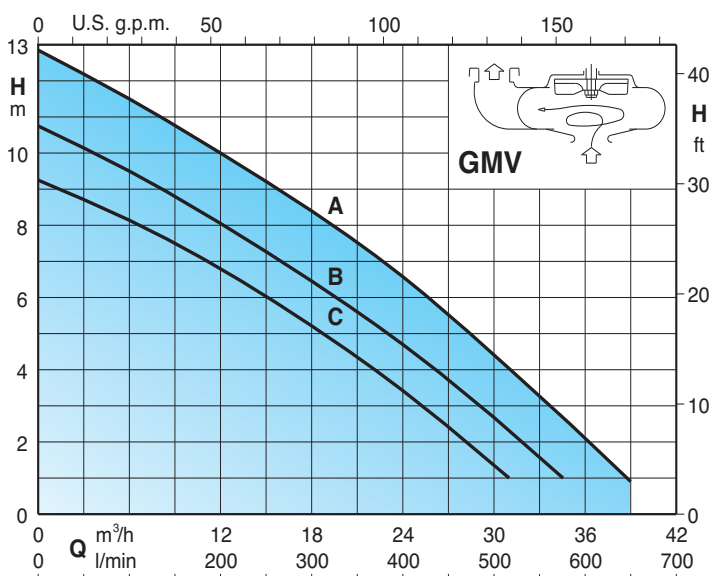
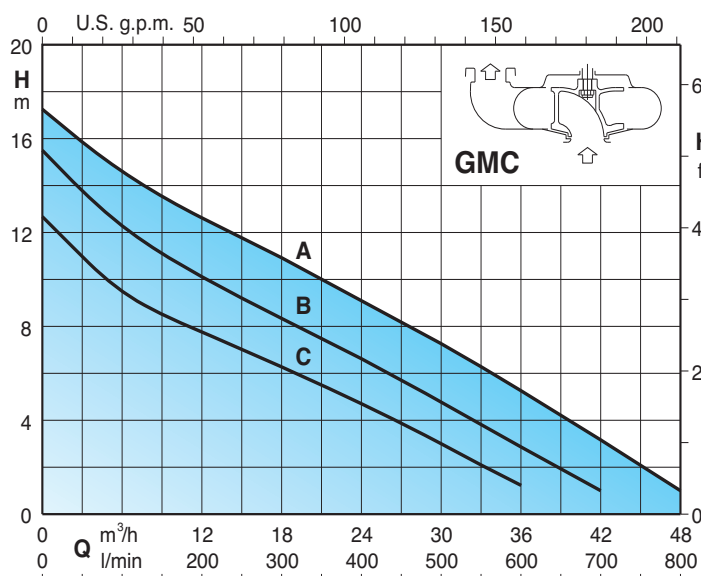
2-pole induction motor, 50Hz (n ≈ 2900 rpm)

**GMV, GMC:** three-phase 400 V +/-10%;  
with 2 built-in thermal protectors to be connected to the control panel.

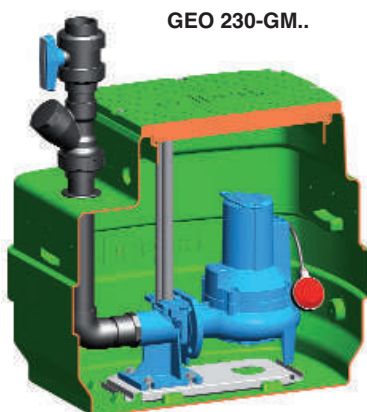
**GMVM, GMVM:** single-phase 230 V ± 10%, built-in thermal protector and built-in capacitor.  
Float switch for automatic operation.

Cable length 10 m.

Liquid temperature up to 35 °C.



### Pumps characteristics



GEO 230-GM..

#### Features

Automatic waste water collecting and lifting station GMV, GMC series.

#### It includes:

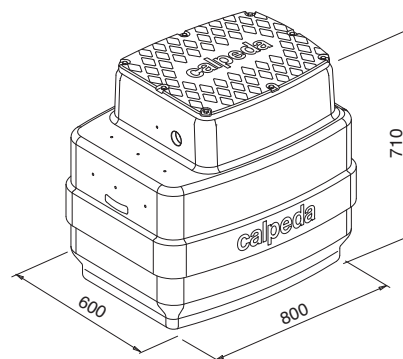
- 1 tank capacity 230 l
- 1 pump - single-phase 10 m cable and float switch
  - three-phase with 10 cable with support kit and float switch
- 1 control box for three-phase version
- 1 duck foot coupling kit
- 1 discharge pipe kit Ø 63 mm in PVC with a ball valve and non-return ball valve

#### On demand

- 1 safety float switch (with support for single-phase version) and auto-supplied control panel for remote alarm with horn and flashing light
  - extension 300 mm

Single-phase type	1 ~ 230 V		Q max m³/h	H max m
	kW	A		
<b>GEO 230-GMCM 50-65C</b>	0,75	4,5	36	9,5
<b>GEO 230-GMCM 50-65B</b>	1,1	6,5	42	12,5
<b>GEO 230-GMVM 50-65C</b>	0,75	4,5	31	8
<b>GEO 230-GMVM 50-65B</b>	1,1	6,5	35	9,5

Three-phase type	3 ~ 400 V		Q max m³/h	H max m
	kW	A		
<b>GEO 230-GMC 50-65C</b>	0,75	1,9	36	9,5
<b>GEO 230-GMC 50-65B</b>	1,1	2,7	42	12,5
<b>GEO 230-GMC 50-65A</b>	1,5	3,8	48	14,5
<b>GEO 230-GMV 50-65C</b>	0,75	1,9	31	8
<b>GEO 230-GMV 50-65B</b>	1,1	2,7	35	9,5
<b>GEO 230-GMV 50-65A</b>	1,5	3,8	39	11,5



#### GMC, GMV

Submersible sewage and drainage pumps.

**GMC**, with single-channel impeller.

**GMV**, with free-flow (vortex) impeller.

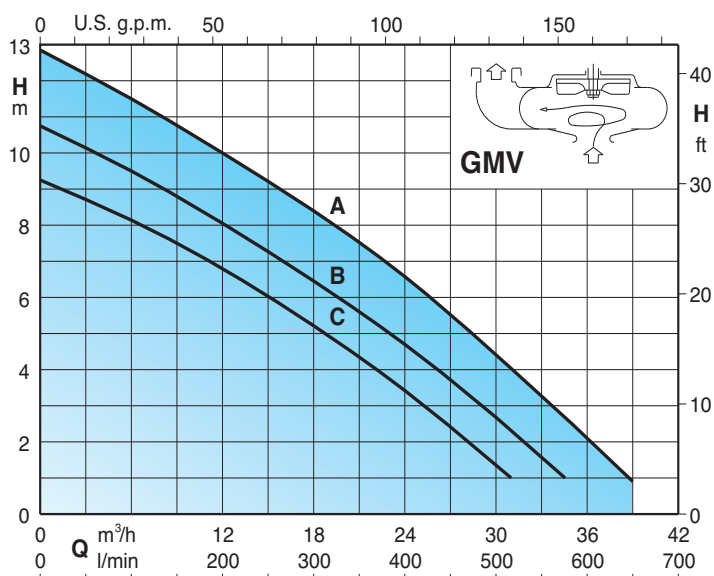
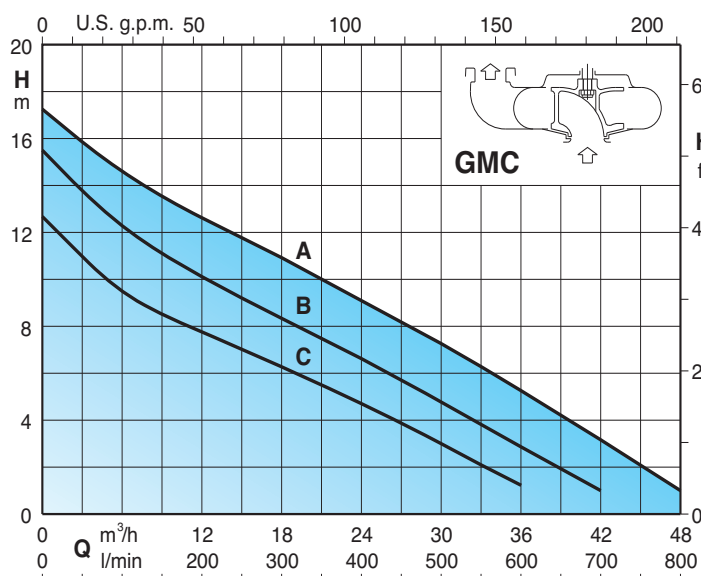
2-pole induction motor, 50Hz (n ≈ 2900 rpm)

**GMV, GMC:** three-phase 400 V +/-10%;  
with 2 built-in thermal protectors to be connected to the control panel.

**GMVM, GMVM:** single-phase 230 V ± 10%, built-in thermal protector and built-in capacitor.  
Float switch for automatic operation.

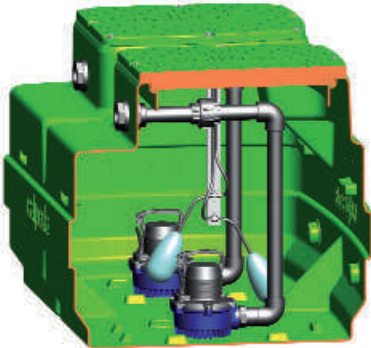
Cable length 10 m.

Liquid temperature up to 35 °C.



### Pumps characteristics

GEO 500-GM 10



#### Features

Automatic clear water collecting and lifting station with GM 10 pump series.

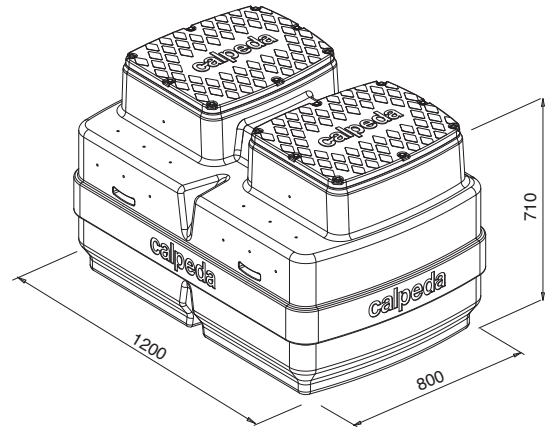
#### It includes:

- 1 tank capacity 500 l
- 2 single-phase pump with 5 m cable without float switch
- 1 support kit with 2 float switch
- 1 control box
- 2 discharge pipe kit Ø 40 mm in PVC

#### On demand

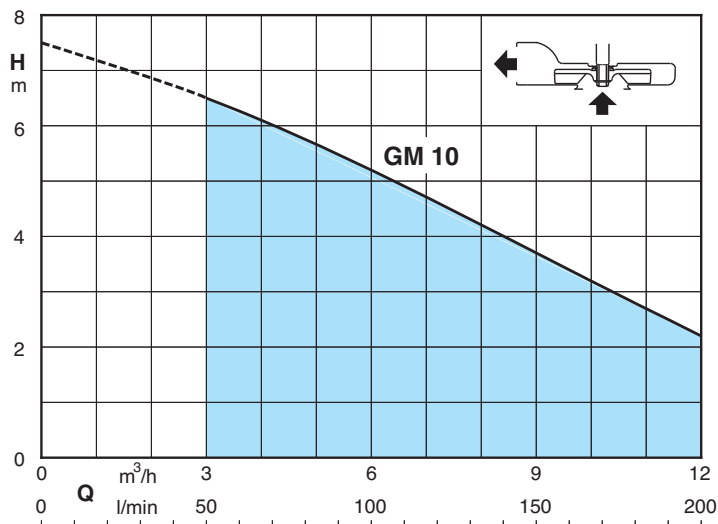
- 2 single-phase pumps with 10 m cable, without float switch
- 2 discharge pipe kit Ø 40 mm in PVC with a ball valve and non-return ball valve
- 1 safety float switch and auto-supplied control panel for remote alarm with horn and flashing light
- extension 300 mm

Single-phase type	1 ~ 230 V		Q max m³/h	H max m
	kW	A		
<b>GEO 500-2GM 10</b>	0,3x2	1,75x2	12x2	6,5



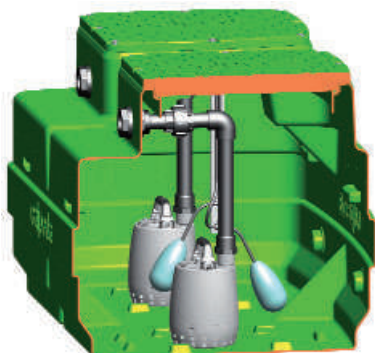
### GM 10

Submersible drainage pump constructed from composite polymers.  
 Shaft of chrome steel AISI 430.  
 2-pole induction motor, 50Hz (n ≈ 2900 rpm).  
 Single-phase 230 V +/-10% with thermal protector (without float switch).  
 5 m cable and control box with capacitor.  
 Liquid temperature up to 35 °C



### Pumps characteristics

GEO 500-2GX..



Single-phase type	1 ~ 230 V		Q max m <sup>3</sup> /h	H max m
	kW	A		
GEO 500-2GXVM 25-6	0,25x2	2,5x2	10,2x2	5,7
GEO 500-2GXVM 25-8	0,37x2	3,5x2	12x2	7,8
GEO 500-2GXVM 25-10	0,45x2	4,5x2	13,2x2	9,5
GEO 500-2GXRM 9	0,25x2	2,5x2	10,2x2	8,3
GEO 500-2GXRM 11	0,37x2	3,5x2	12x2	10,4
GEO 500-2GXRM 13	0,45x2	4,5x2	13,2x2	11,7

#### Features

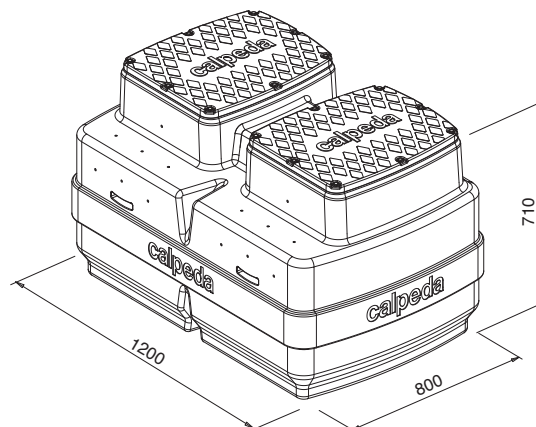
Automatic collecting and lifting station - for clean water with **GXR** pump series  
- for waste water with **GXV** pump series.

#### It includes:

- 1 tank capacity 500 l
- 2 single-phase pump with 5 m cable without float switch
- 1 support kit with 2 float switch
- 1 control box
- 2 discharge pipe kit Ø 40 mm in PVC

#### On demand

- 2 single-phase pumps with 10 m cable, without float switch
- 2 discharge pipe kit Ø 40 mm in PVC with a ball valve and non-return ball valve
- 1 safety float switch and auto-supplied control panel for remote alarm with horn and flashing light
- extension 300 mm



GXR

GXV

#### GXR, GXV

Submersible drainage pump in chrome-nickel stainless steel, with vertical delivery port.

**GXR**: with open impeller.

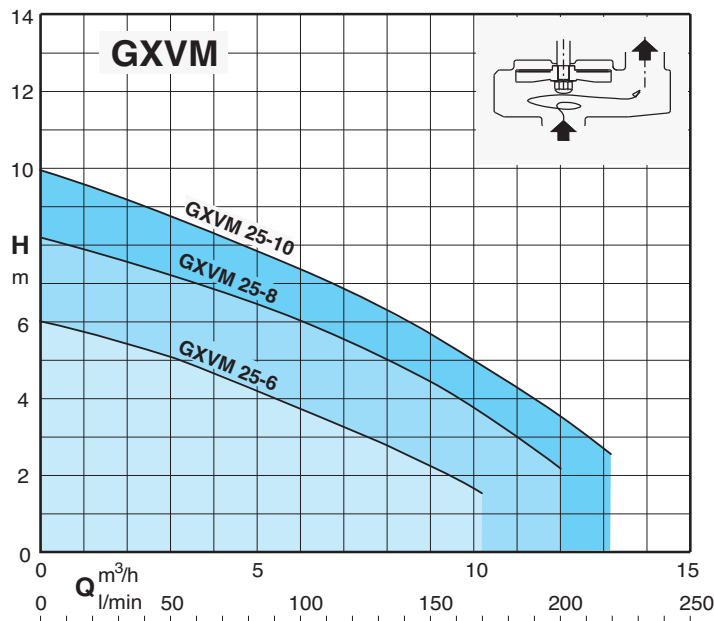
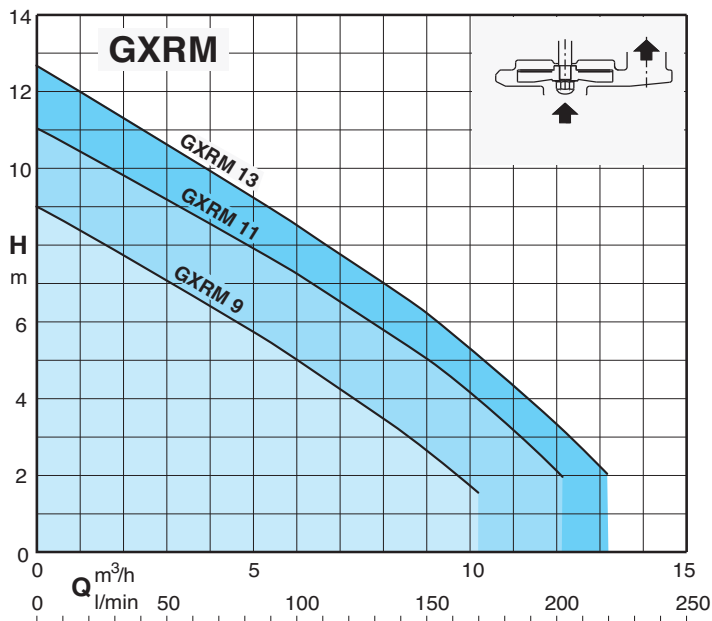
**GXV**: with free-flow (vortex) impeller.

2-pole induction motor, 50Hz (n ≈ 2900 rpm),

Single-phase 230 V +/-10% with thermal protector. Incorporated capacitor.

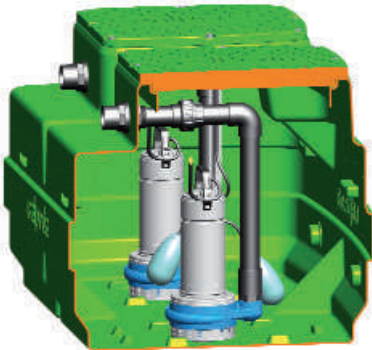
Cable length 5 m.

Liquid temperature up to 35 °C



### Pumps characteristics

#### GEO 500-2GQR



#### Features

Automatic collecting and lifting station for clean water with **GQR** pump series

#### It includes:

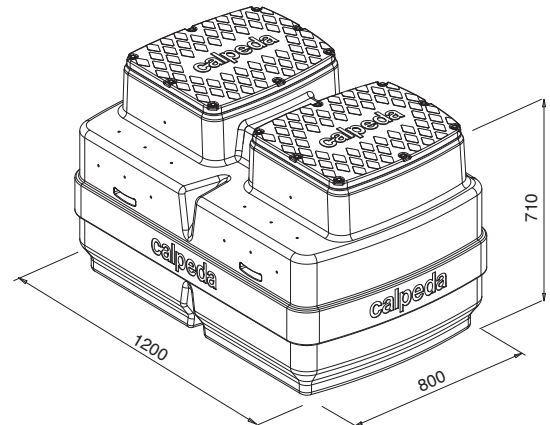
- 1 tank capacity 500 l
- 2 pumps - single-phase with 10 m cable without float switch  
- three-phase with 10 m cable
- 1 support kit with 2 float switch
- 1 control box
- 2 discharge pipe kit Ø 50 mm in PVC

#### On demand

- 2 discharge pipe kit Ø 50 mm in PVC with a ball valve and non-return ball valve
- 1 safety float switch and auto-supplied control panel for remote alarm with horn and flashing light
- extension 300 mm

Single-phase type	1 ~ 230 V		Q max m³/h	H max m
	kW	A		
GEO 500-2GQRM 10-10	0,45x2	3,1x2	18x2	9,5
GEO 500-2GQRM 10-12	0,55x2	3,6x2	21x2	11,6
GEO 500-2GQRM 10-14	0,75x2	4,6x2	24x2	13,5
GEO 500-2GQRM 10-16	0,9x2	6x2	27x2	15,5
GEO 500-2GQRM 10-18	1,1x2	8x2	30x2	17,5
GEO 500-2GQRM 10-20	1,5x2	13 x2	30x2	19,5

Three-phase type	3 ~ 400 V		Q max m³/h	H max m
	kW	A		
GEO 500-2GQR 10-10	0,45x2	1,2x2	18x2	9,5
GEO 500-2GQR 10-12	0,55x2	1,4x2	21x2	11,6
GEO 500-2GQR 10-14	0,75x2	1,6x2	24x2	13,5
GEO 500-2GQR 10-16	0,9x2	2,3x2	27x2	15,5
GEO 500-2GQR 10-18	1,1x2	2,8x2	30x2	17,5
GEO 500-2GQR 10-20	1,5x2	3,8x2	30x2	19,5



#### GQR

Single-impeller submersible drainage pump, with vertical delivery port.

**GQR:** with open impeller.

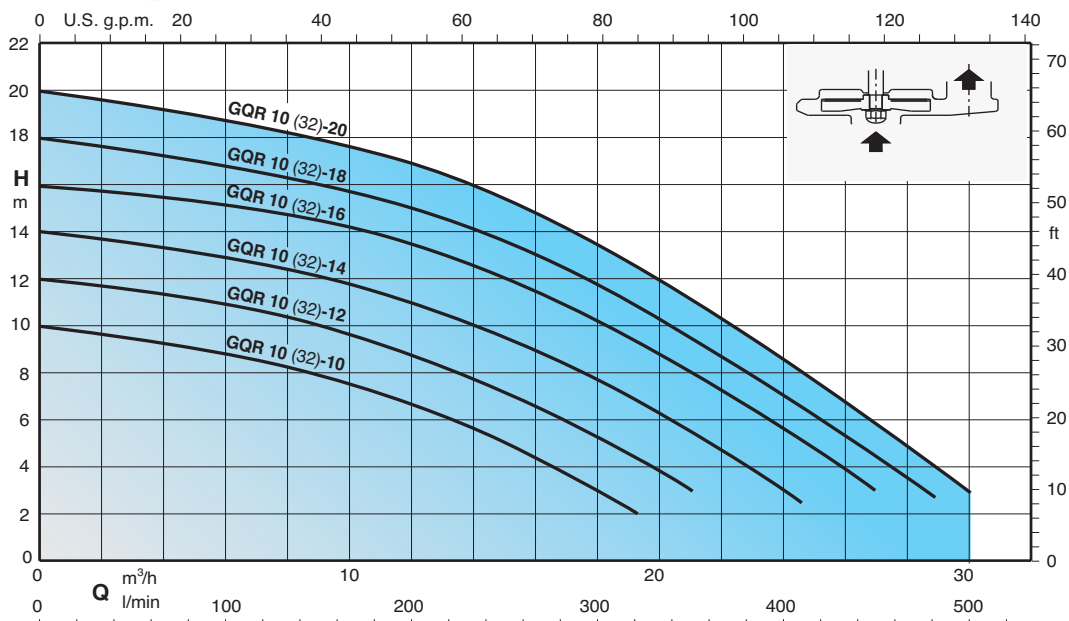
2-pole induction motor, 50Hz (n ≈ 2900 rpm),

**GQR:** three-phase 400 V +/-10%;

**GQRM:** Single-phase 230 V +/-10% with thermal protector and incorporated capacitor (without float switch).

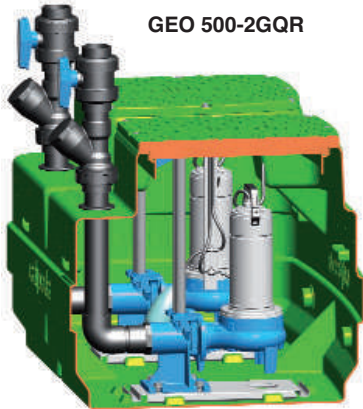
Cable length 10 m.

Liquid temperature up to 35 °C.





### Pumps characteristics



GEO 500-2GQR

#### Features

Automatic waste water collecting and lifting station with GQR pump series.

#### It includes:

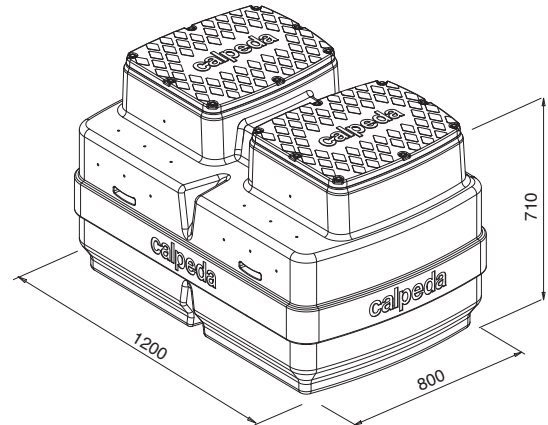
- 1 tank capacity 500 l
- 2 pumps - single-phase 10 m cable without float switch
- three-phase with 10 cable
- 1 support kit with 2 float switch
- 1 control box
- 2 duck foot coupling kit
- 2 discharge pipe kit Ø 63 mm in PVC with a ball valve and non-return ball valve

#### On demand

- 1 safety float switch and auto-supplied control panel for remote alarm with horn and flashing light
- extension 300 mm

Single-phase type	1 ~ 230 V		Q max m³/h	H max m
	kW	A		
GEO 500-2GQRM 10 32-10	0,45x2	3,1x2	18x2	9,5
GEO 500-2GQRM 10 32-12	0,55x2	3,6x2	21x2	11,6
GEO 500-2GQRM 10 32-14	0,75x2	4,6x2	24x2	13,5
GEO 500-2GQRM 10 32-16	0,9x2	6x2	27x2	15,5
GEO 500-2GQRM 10 32-18	1,1x2	8x2	30x2	17,5
GEO 500-2GQRM 10 32-20	1,5x2	13x2	30x2	19,5

Three-phase type	3 ~ 400 V		Q max m³/h	H max m
	kW	A		
GEO 500-2GQR 10 32-10	0,45x2	1,2x2	18x2	9,5
GEO 500-2GQR 10 32-12	0,55x2	1,4x2	21x2	11,6
GEO 500-2GQR 10 32-14	0,75x2	1,6x2	24x2	13,5
GEO 500-2GQR 10 32-16	0,9x2	2,3x2	27x2	15,5
GEO 500-2GQR 10 32-18	1,1x2	2,8x2	30x2	17,5
GEO 500-2GQR 10 32-20	1,5x2	3,8x2	30x2	19,5



#### GQR

Single-impeller submersible drainage pump, with horizontal delivery port.

**GQR:** with open impeller.

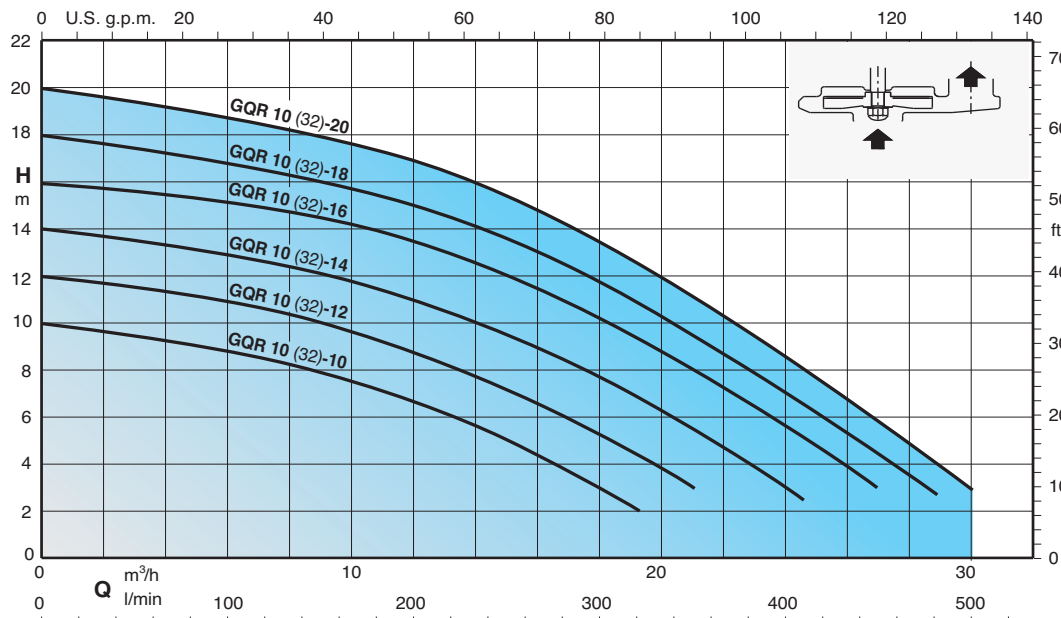
2-pole induction motor, 50Hz (n ≈ 2900 rpm),

**GQR:** three-phase 400 V +/-10%;

**GQRM:** single-phase 230 V +/-10%, with thermal protector, with built-in capacitor (without float switch).

10 m cable.

Liquid temperature up to 35 °C



### Pumps characteristics

GEO 500-2GX..



#### Features

Automatic waste water collecting and lifting station with GX 40 pump series.

#### It includes:

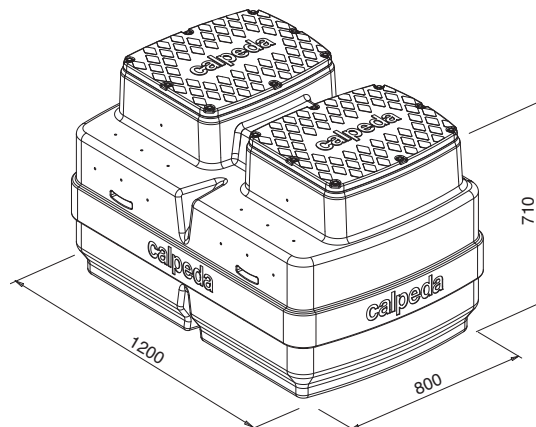
- 1 tank capacity 500 l
- 2 pumps - single-phase with 10 m cable without float switch
- three-phase with 10 m cable
- 1 support kit with 2 float switch
- 1 electric control box
- 2 discharge pipe kit Ø 50 mm in PVC

#### On demand

- 2 discharge pipe kit Ø 50 mm in PVC with a ball valve and non-return ball valve
- 1 safety float switch and auto-supplied control panel for remote alarm with horn and flashing light
- extension 300 mm

Single-phase type	1 ~ 230 V		Q max m³/h	H max m
	kW	A		
GEO 500-2GXCM 40-10	0,55x2	4,6x2	21x2	9
GEO 500-2GXCM 40-13	0,9x2	6,6x2	26x2	11,6
GEO 500-2GXVM 40-7	0,55x2	4,6x2	15x2	6,2
GEO 500-2GXVM 40-8	0,75x2	5,4x2	18x2	7,2
GEO 500-2GXVM 40-8	0,9x2	6x2	21x2	8,1

Three-phase type	3 ~ 400 V		Q max m³/h	H max m
	kW	A		
GEO 500-2GXC 40-10	0,55x2	1,6x2	21x2	9
GEO 500-2GXC 40-13	0,9x2	2,3x2	26x2	11,6
GEO 500-2GXV 40-7	0,55x2	1,6x2	15x2	6,2
GEO 500-2GXV 40-8	0,75x2	2,2x2	18x2	7,2
GEO 500-2GXV 40-9	0,9x2	2,3x2	21x2	8,1



#### GXC, GXV

Submersible sewage and drainage pumps in chrome-nickel stainless steel, with vertical delivery port.

**GXC**, with single-channel impeller.

**GXV**: with free-flow (vortex) impeller

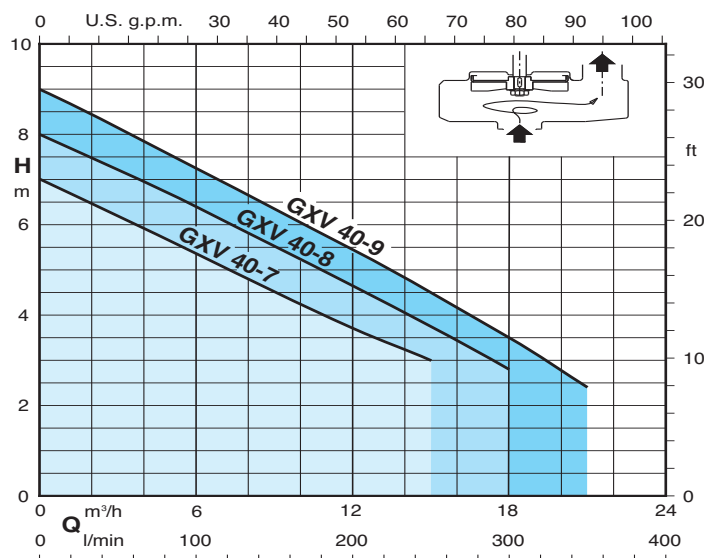
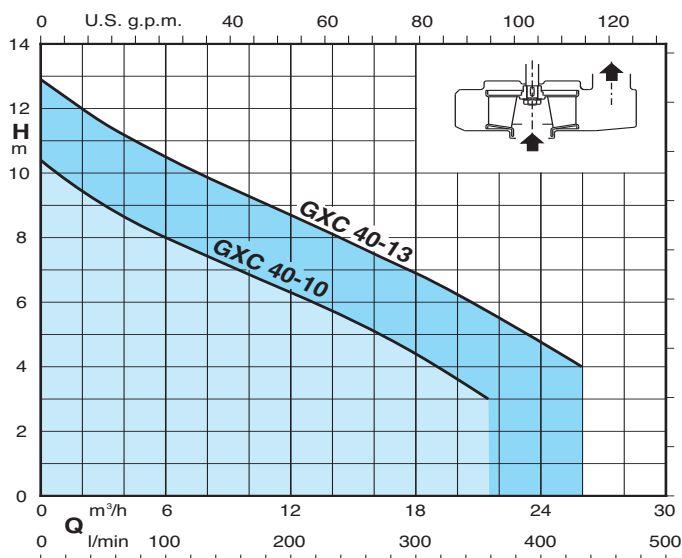
2-pole induction motor, 50Hz ( $n \approx 2900$  rpm).

**GXC, GXV**: three-phase 400 V +/-10%;

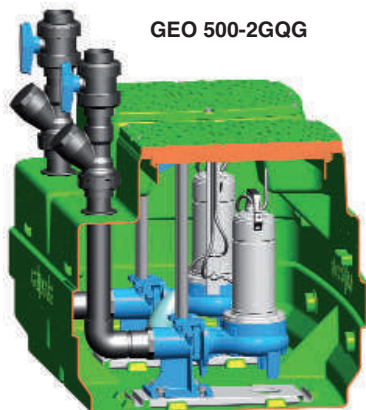
**GXCM, GXVM**: single-phase 230 V +/-10%, with thermal protector and incorporated capacitor (without float switch).

Cable length 10 m.

Liquid temperature up to 35 °C



### Pumps characteristics



GEO 500-2GQG

#### Features

Automatic sewage water collecting and lifting station with grinder pumps GQG series.

#### It includes:

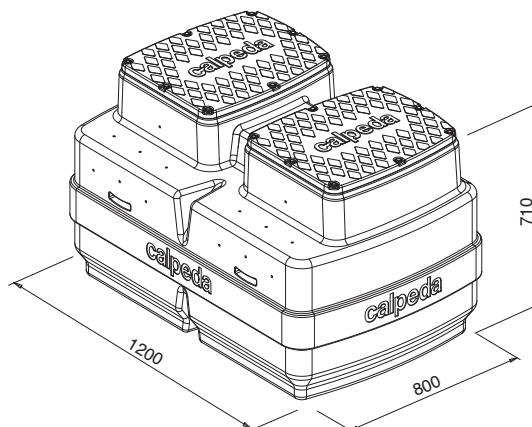
- 1 tank capacity 500 l
- 2 pumps - single-phase 10 m cable without float switch  
- three-phase with 10 cable
- 1 support kit with 2 float switch
- 1 electric control box (with capacitor for single-phase motors)
- 2 duck foot coupling kit
- 2 discharge pipe kit Ø 63 mm in PVC with a ball valve and non-return ball valve

#### On demand

- 1 safety float switch and auto-supplied control panel for remote alarm with horn and flashing light
- extension 300 mm

Single-phase type	1 ~ 230 V		Q max m³/h	H max m
	kW	A		
<b>GEO 500-2GQGM 6-18</b>	0,9x2	7x2	13,2x2	16,5
<b>GEO 500-2GQGM 6-21</b>	1,1x2	7,5x2	15x2	19,2
<b>GEO 500-2GQGM 6-25</b>	1,5x2	9,5x2	16,8x2	23

Three-phase type	3 ~ 400 V		Q max m³/h	H max m
	kW	A		
<b>GEO 500-2GQG 6-18</b>	0,9x2	2,3x2	13,2x2	16,5
<b>GEO 500-2GQG 6-21</b>	1,1x2	2,8x2	15x2	19,2
<b>GEO 500-2GQG 6-25</b>	1,5x2	3,8x2	16,8x2	23



#### GQG

Submersible pumps with high power grinder, with horizontal delivery port.

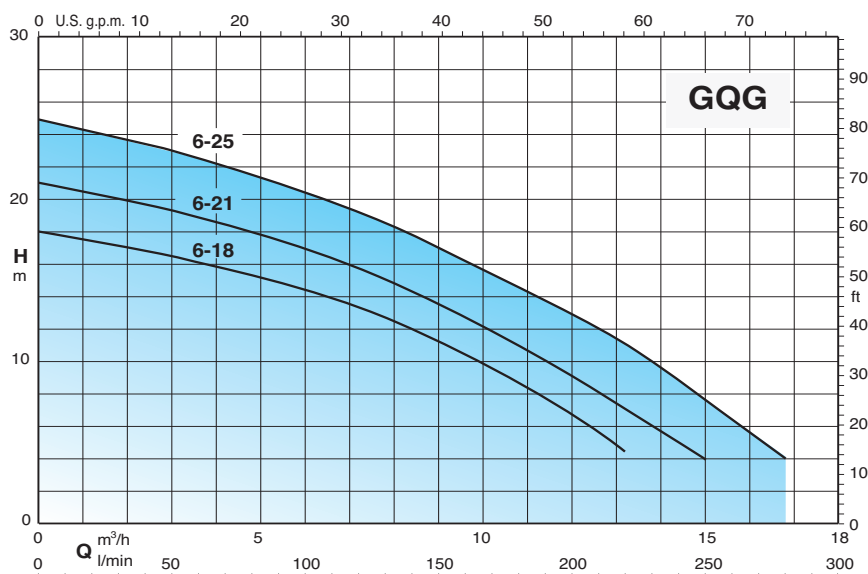
2-pole induction motor, 50Hz (n ≈ 2900 rpm)

**GQG:** three-phase 400 V +/-10%;

**GQGM:** Single-phase 230 V +/-10% complete control box with thermal protector and capacitors (without float switch).

10 m cable.

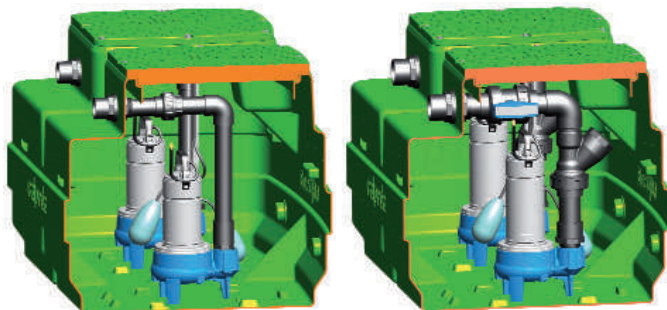
Liquid temperature up to 35 °C.



### Pumps characteristics

GEO 500-2GQS 40

GEO 500-2GQS 50



Single-phase type	1 ~ 230 V		Q max m <sup>3</sup> /h	H max m
	kW	A		
GEO 500-2GQSM 40-9	0,45x2	4,5x2	21x2	8,8
GEO 500-2GQSM 50-8	0,55x2	4,3x2	24x2	7,4
GEO 500-2GQSM 50-9	0,75x2	4,8x2	27x2	8,8
GEO 500-2GQSM 50-11	0,9x2	6,6x2	33x2	10,5
GEO 500-2GQSM 50-13	1,1x2	8,4x2	36x2	12,5
GEO 500-2GQSM 50-15	1,5x2	13x2	36x2	14,4

Three-phase type	3 ~ 400 V		Q max m <sup>3</sup> /h	H max m
	kW	A		
GEO 500-2GQS 40-9	0,45x2	1,6x2	21x2	8,8
GEO 500-2GQS 50-8	0,55x2	1,5x2	24x2	7,4
GEO 500-2GQS 50-9	0,75x2	1,8x2	27x2	8,8
GEO 500-2GQS 50-11	0,9x2	2,3x2	33x2	10,5
GEO 500-2GQS 50-13	1,1x2	3x2	36x2	12,5
GEO 500-2GQS 50-15	1,5x2	4x2	36x2	14,4

### Features

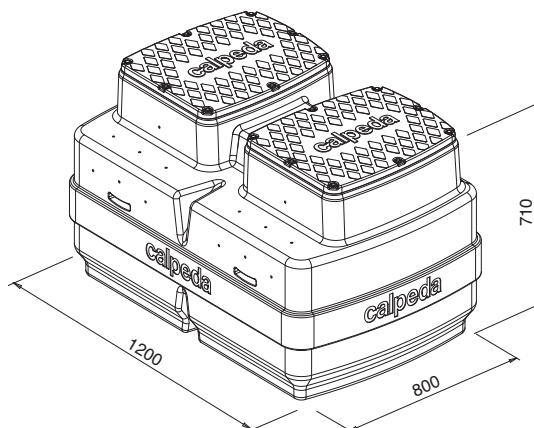
Automatic waste water collecting and lifting station GQS series.

### It includes:

- 1 tank capacity 500 l
- 2 pumps - single-phase 10 m cable without float switch
- three-phase with 10 cable
- 1 support kit with 2 float switch
- 1 control box for three-phase version
- For GQS 50: 2 discharge pipe kit Ø 50 mm in PVC
- For GQS 50: 2 discharge pipe kit Ø 63 mm in PVC with a ball valve and non-return ball valve

### On demand

- For GQS 50: 2 discharge pipe kit Ø 50 mm in PVC with a ball valve and non-return ball valve
- 1 safety float switch and auto-supplied control panel for remote alarm with horn and flashing light
- extension 300 mm



### GQS

Single-impeller submersible pumps, with vertical delivery port.

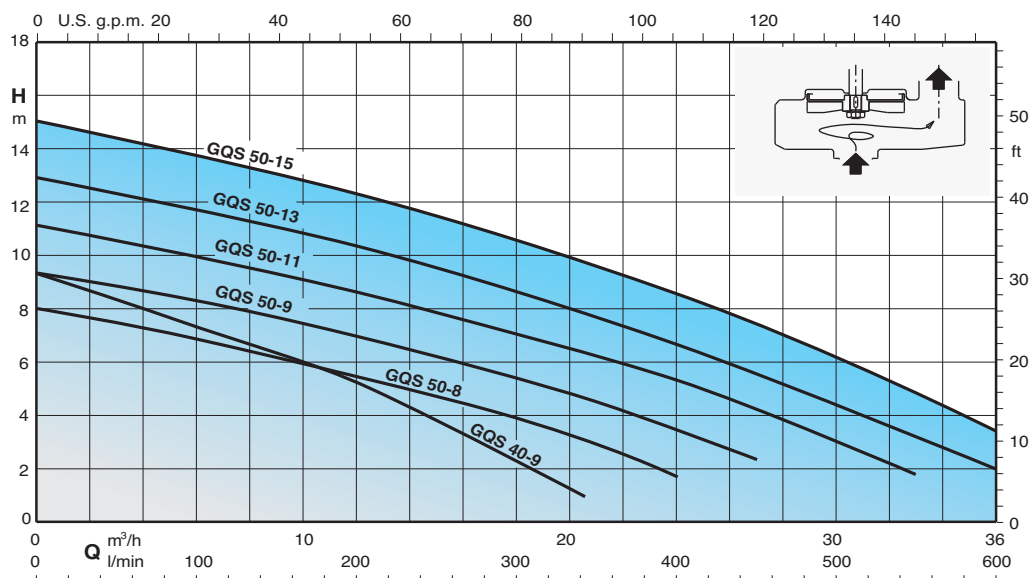
**GQS:** with free-flow (vortex) impeller

2-pole induction motor, 50Hz (n ≈ 2900 rpm)

**GQS:** three-phase 400 V +/-10%;

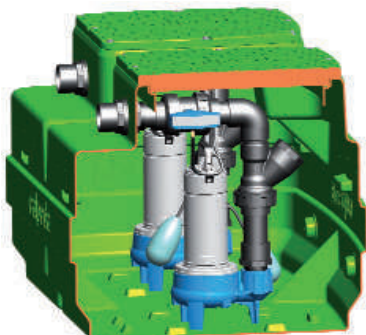
**GQSM:** single-phase 230 V +/-10%, with thermal protector, with built-in capacitor (without float switch). 10 m cable.

Liquid temperature up to 35 °C



### Pumps characteristics

GEO 500-2GQN



#### Features

Automatic waste water collecting and lifting station GQN series.

#### It includes:

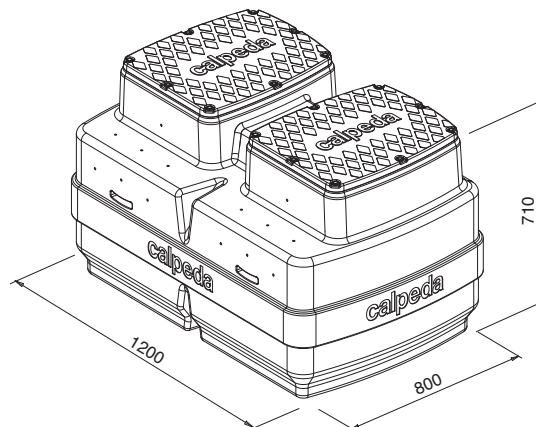
- 1 tank capacity 500 l
- 2 pumps - single-phase 10 m cable without float switch
- three-phase with 10 cable
- 1 support kit with 2 float switch
- 1 control box for three-phase version
- 2 discharge pipe kit Ø 63 mm in PVC with a ball valve and non-return ball valve

#### On demand

- 1 safety float switch and auto-supplied control panel for remote alarm with horn and flashing light
- extension 300 mm

Single-phase type	1 ~ 230 V		Q max m³/h	H max m
	kW	A		
<b>GEO 500-2GQNM 50-13</b>	0,9x2	6,6x2	36x2	11,6
<b>GEO 500-2GQNM 50-15</b>	1,1x2	8,4x2	42x2	13,5
<b>GEO 500-2GQNM 50-17</b>	1,5x2	12x2	48x2	15,7

Three-phase type	3 ~ 400 V		Q max m³/h	H max m
	kW	A		
<b>GEO 500-2GQN 50-13</b>	0,9x2	2,3x2	36x2	11,6
<b>GEO 500-2GQN 50-15</b>	1,1x2	3,3x2	42x2	13,5
<b>GEO 500-2GQN 50-17</b>	1,5x2	4,5x2	48x2	15,7



#### GQN

Single-impeller submersible pumps, with vertical delivery port.

**GQN:** with channels impeller (with two-passage)

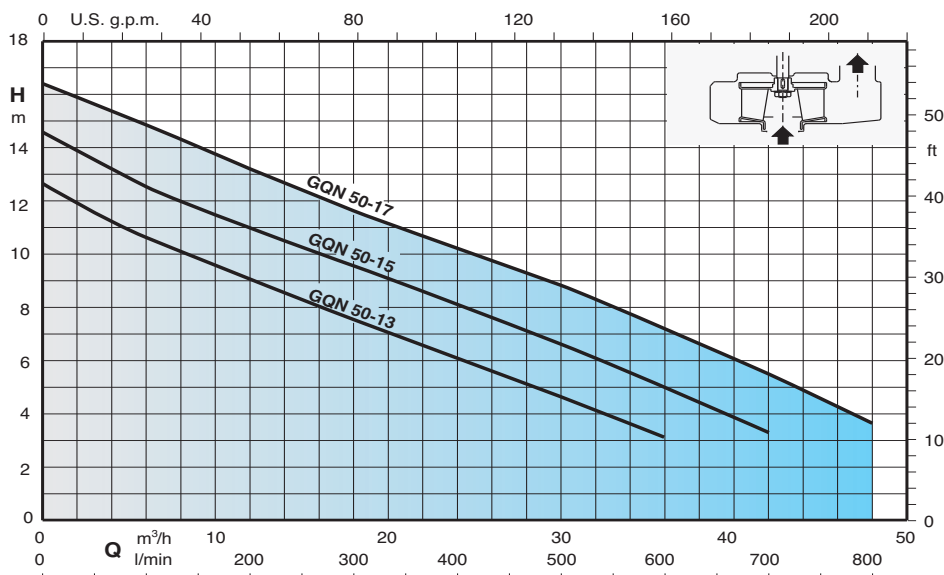
2-pole induction motor, 50Hz (n ≈ 2900 rpm)

**GQN:** three-phase 400 V +/-10%;

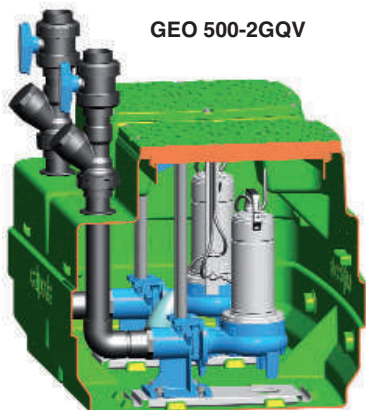
**GQNM:** single-phase 230 V +/-10%, with thermal protector, with built-in capacitor (without float switch).

10 m cable.

Liquid temperature up to 35 °C



### Pumps characteristics



GEO 500-2GQV

#### Features

Automatic waste water collecting and lifting station with GQV pump series.

#### It includes:

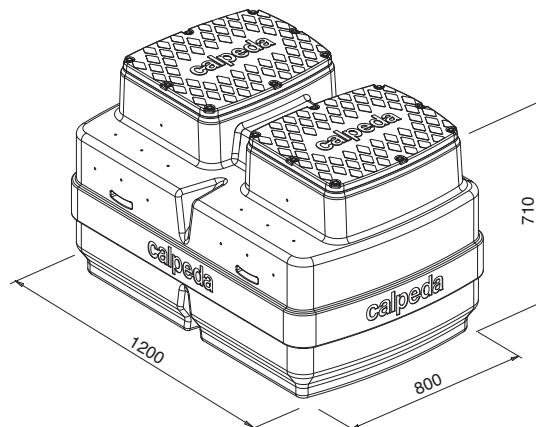
- 1 tank capacity 500 l
- 2 pumps - single-phase 10 m cable without float switch
  - three-phase with 10 cable
- 1 support kit with 2 float switch
- 1 control box
- 2 duck foot coupling kit
- 2 discharge pipe kit Ø 63 mm in PVC with a ball valve and non-return ball valve

#### On demand

- 1 safety float switch and auto-supplied control panel for remote alarm with horn and flashing light
- extension 300 mm

Single-phase type	1 ~ 230 V		Q max m <sup>3</sup> /h	H max m
	kW	A		
GEO 500-2GQVM 50-8	0,55x2	4,3x2	24x2	7,4
GEO 500-2GQVM 50-9	0,75x2	4,8x2	27x2	8,8
GEO 500-2GQVM 50-11	0,9x2	6,6x2	33x2	10,5
GEO 500-2GQVM 50-13	1,1x2	8,4x2	36x2	12,5
GEO 500-2GQVM 50-15	1,1x2	13x2	36x2	12,5

Three-phase type	3 ~ 400 V		Q max m <sup>3</sup> /h	H max m
	kW	A		
GEO 500-2GQV 50-8	0,55x2	1,5x2	24x2	7,4
GEO 500-2GQV 50-9	0,75x2	1,8x2	27x2	8,8
GEO 500-2GQV 50-11	0,9x2	2,3x2	33x2	10,5
GEO 500-2GQV 50-13	1,1x2	3x2	36x2	12,5
GEO 500-2GQV 50-15	1,5x2	4x2	36x2	14,4



#### GQV

Single-impeller submersible pumps, with horizontal delivery port.

**GQV:** with free-flow (vortex) impeller

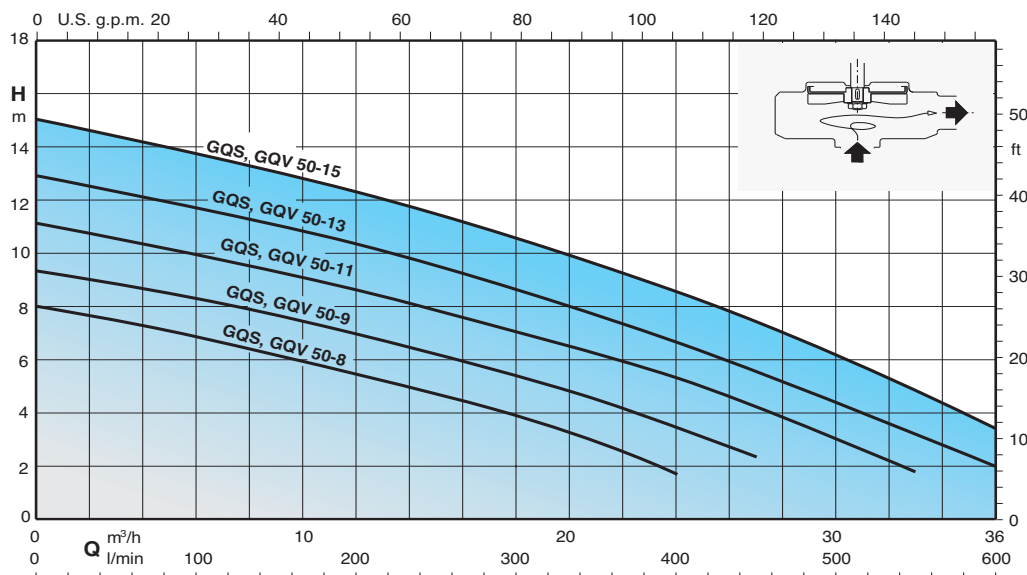
2-pole induction motor, 50Hz (n ≈ 2900 rpm)

**GQV:** three-phase 400 V +/-10%;

**GQVM:** single-phase 230 V +/-10%, with thermal protector, with built-in capacitor (without float switch).

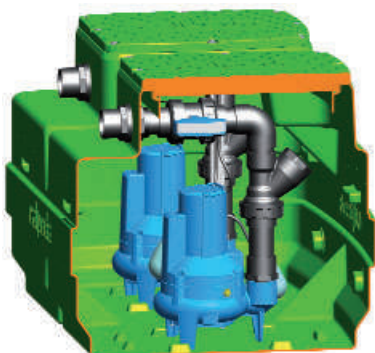
10 m cable.

Liquid temperature up to 35 °C



### Pumps characteristics

GEO 500-2GM..



#### Features

Automatic waste water collecting and lifting station GMV, GMC series.

#### It includes:

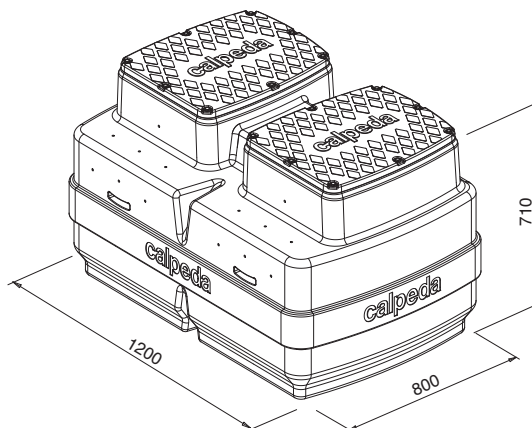
- 1 tank capacity 500 l
- 2 pumps - single-phase 10 m cable without float switch
  - three-phase with 10 cable
- 1 support kit with 2 float switch
- 1 control box for three-phase version
- 2 discharge pipe kit Ø 63 mm in PVC with a ball valve and non-return ball valve

#### On demand

- 1 safety float switch and auto-supplied control panel for remote alarm
  - with horn and flashing light
  - extension 300 mm

Single-phase type	1 ~ 230 V		Q max m³/h	H max m
	kW	A		
GEO 500-2GMCM 50CE	0,75x2	4,5x2	36x2	9,5
GEO 500-2GMCM 50BE	1,1x2	6,5x2	42x2	12,5
GEO 500-2GMVM 50CE	0,75x2	4,5x2	31x2	8
GEO 500-2GMVM 50BE	1,1x2	6,5x2	35x2	9,5

Three-phase type	3 ~ 400 V		Q max m³/h	H max m
	kW	A		
GEO 500-2GMC 50CE	0,75x2	1,9x2	36x2	9,5
GEO 500-2GMC 50BE	1,1x2	2,7x2	42x2	12,5
GEO 500-2GMC 50AE	1,5x2	3,8x2	48x2	14,5
GEO 500-2GMV 50CE	0,75x2	1,9x2	31x2	8
GEO 500-2GMV 50BE	1,1x2	2,7x2	35x2	9,5
GEO 500-2GMV 50AE	1,5x2	3,8x2	39x2	11,5



#### GMC, GMV

Submersible sewage and drainage pumps.

**GMC**, with single-channel impeller.

**GMV**, with free-flow (vortex) impeller.

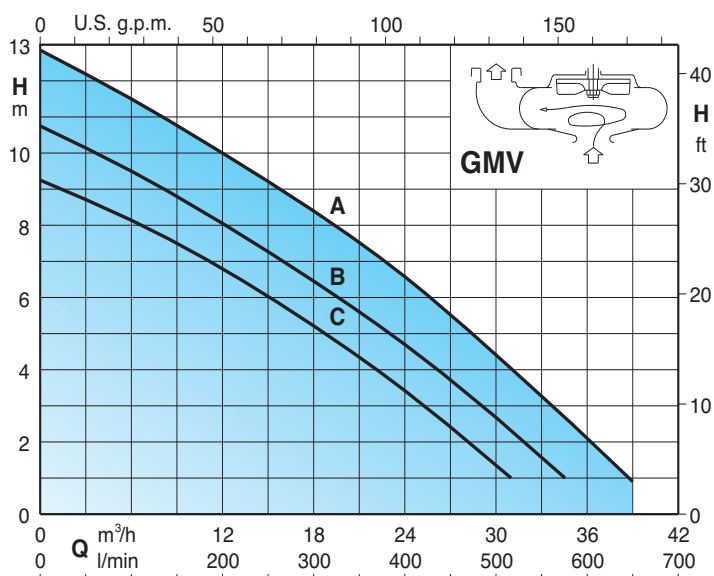
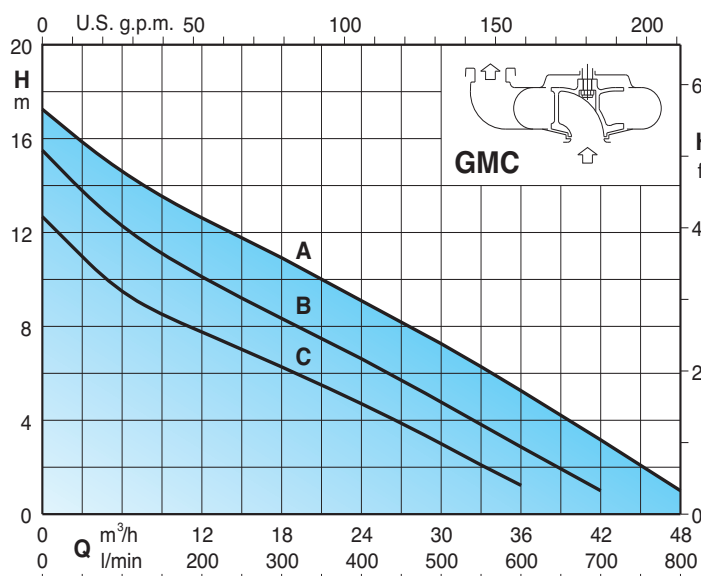
2-pole induction motor, 50Hz (n ≈ 2900 rpm)

**GMV, GMC:** three-phase 400 V +/-10%;  
with 2 built-in thermal protectors to be connected to the control panel.

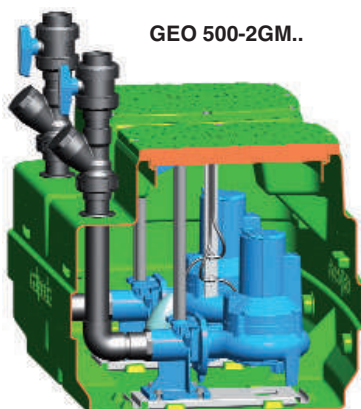
**GMVM, GMVM:** single-phase 230 V ± 10%, built-in thermal protector and built-in capacitor.  
(without float switch)

Cable length 10 m.

Liquid temperature up to 35 °C.



### Pumps characteristics



GEO 500-2GM..

#### Features

Automatic waste water collecting and lifting station GMV, GMC series.

#### It includes:

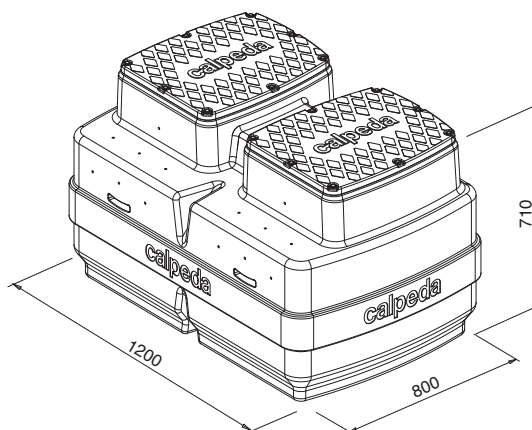
- 1 tank capacity 500 l
- 2 pumps - single-phase 10 m cable without float switch
  - three-phase with 10 cable
- 1 support kit with 2 float switch
- 1 control box for three-phase version
- 2 duck foot coupling kit
- 2 discharge pipe kit Ø 63 mm in PVC with a ball valve and non-return ball valve

#### On demand

- 1 safety float switch and auto-supplied control panel for remote alarm with horn and flashing light
- extension 300 mm

Single-phase type	1 ~ 230 V		Q max m³/h	H max m
	kW	A		
GEO 500-2GMCM 50-65C	0,75x2	4,5x2	36x2	9,5
GEO 500-2GMCM 50-65B	1,1x2	6,5x2	42x2	12,5
GEO 500-2GMVM 50-65C	0,75x2	4,5x2	31x2	8
GEO 500-2GMVM 50-65B	1,1x2	6,5x2	35x2	9,5

Three-phase type	3 ~ 400 V		Q max m³/h	H max m
	kW	A		
GEO 500-2GMC 50-65C	0,75x2	1,9x2	36x2	9,5
GEO 500-2GMC 50-65B	1,1x2	2,7x2	42x2	12,5
GEO 500-2GMC 50-65A	1,5x2	3,8x2	48x2	14,5
GEO 500-2GMV 50-65C	0,75x2	1,9x2	31x2	8
GEO 500-2GMV 50-65B	1,1x2	2,7x2	35x2	9,5
GEO 500-2GMV 50-65A	1,5x2	3,8x2	39x2	11,5



#### GMC, GMV

Submersible sewage and drainage pumps.

**GMC**, with single-channel impeller.

**GMV**, with free-flow (vortex) impeller.

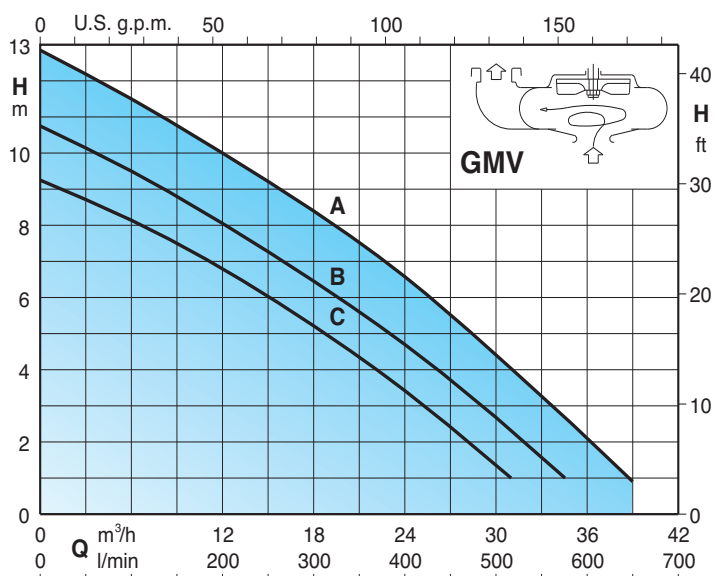
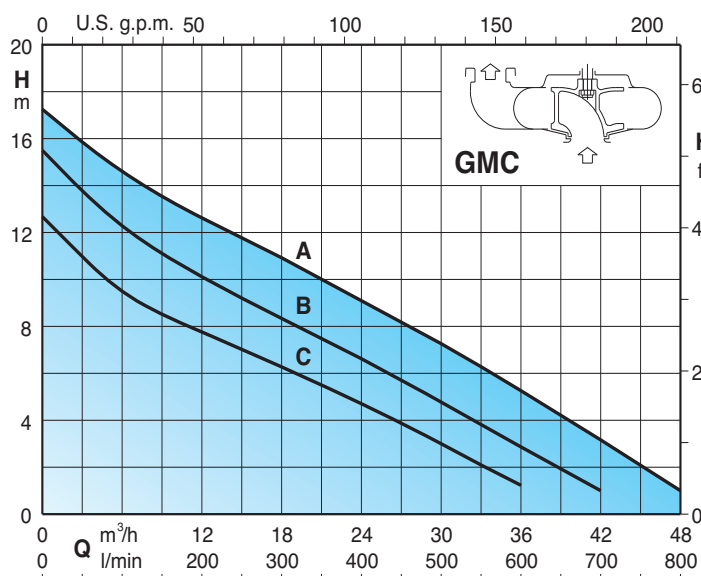
2-pole induction motor, 50Hz (n ≈ 2900 rpm)

**GMV, GMC:** three-phase 400 V +/-10%;  
with 2 built-in thermal protectors to be connected to the control panel.

**GMVM, GMVM:** single-phase 230 V ± 10%, built-in thermal protector and built-in capacitor.  
(without float switch)

Cable length 10 m.

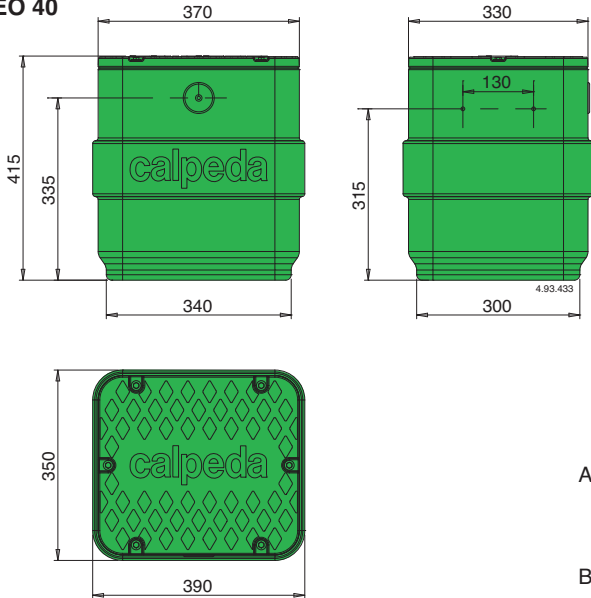
Liquid temperature up to 35 °C.



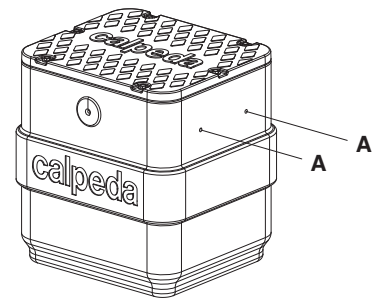
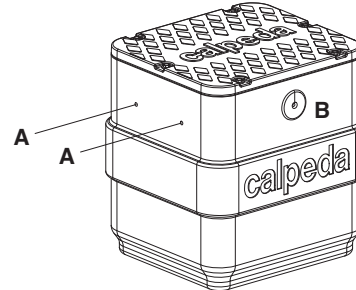


### Dimensions and weights

#### GEO 40

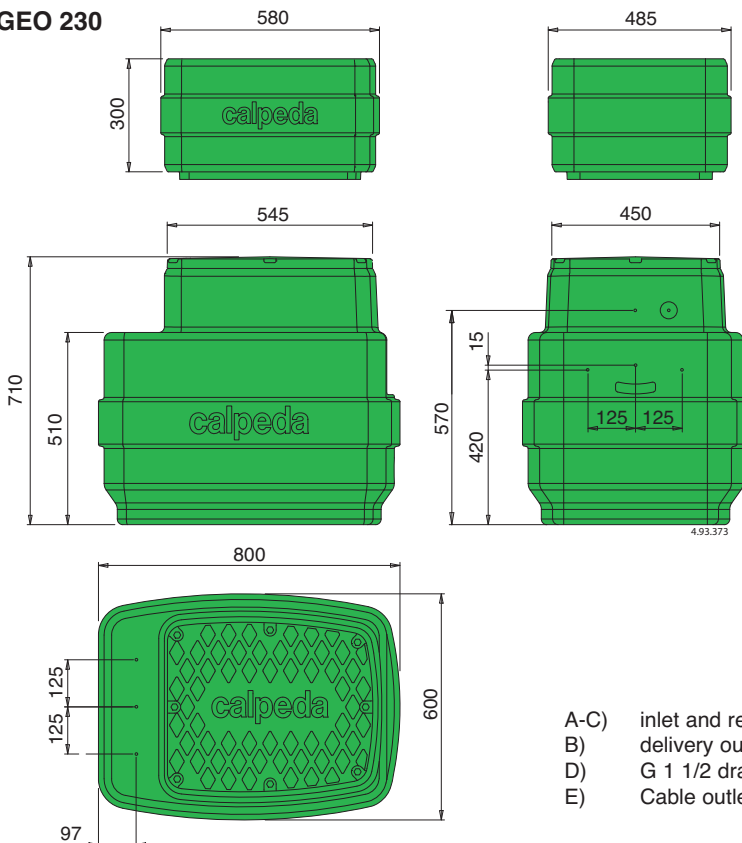


Tank  
kg.6



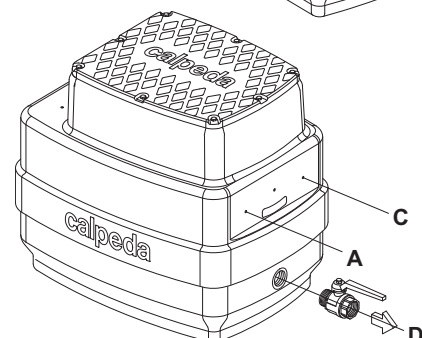
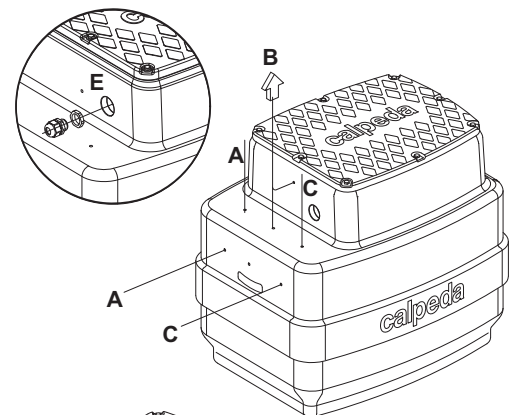
- A) Arrangement for :  
 Ø 40 mm inlet  
 Ø 40 mm outlet  
 Ø 25 mm relief
- B) Cable passage with Shuko plug

#### GEO 230



Extension  
kg.4,5

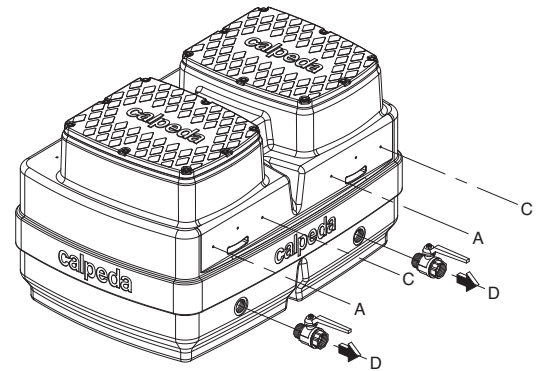
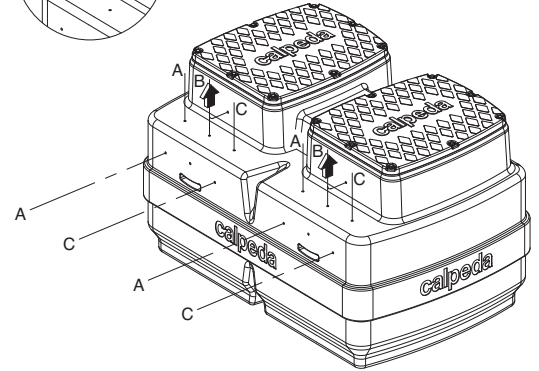
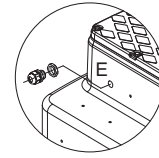
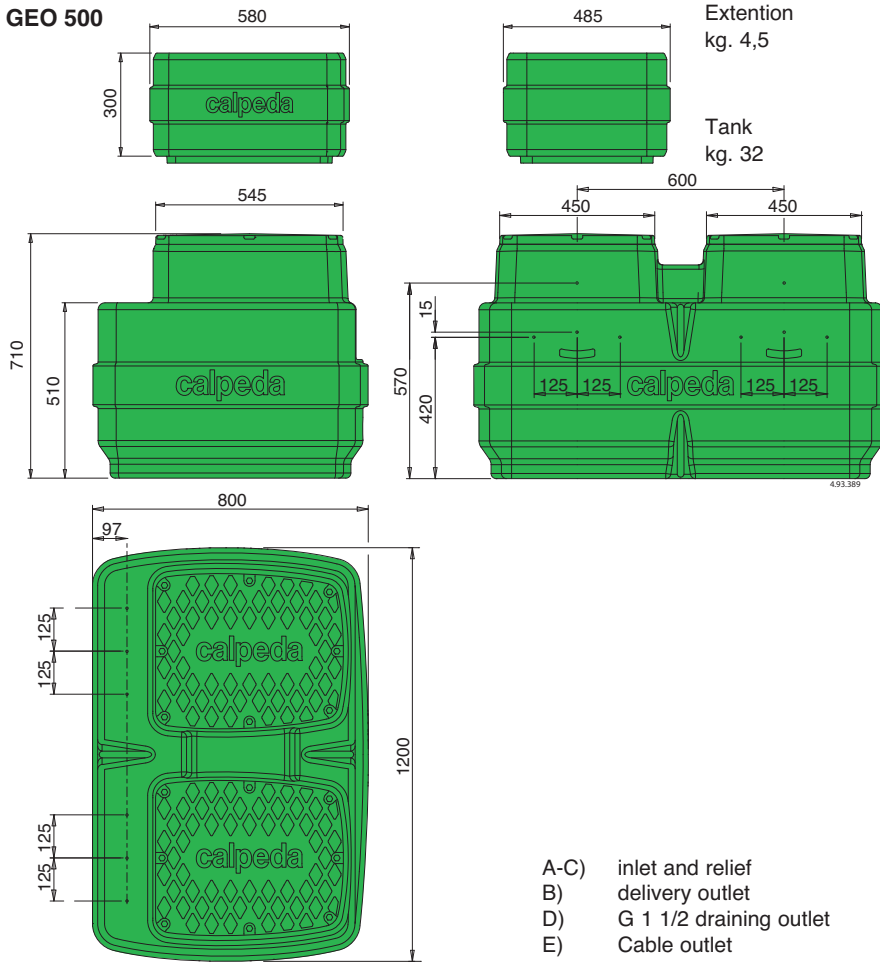
Tank  
kg.16



- A-C) inlet and relief
- B) delivery outlet
- D) G 1 1/2 draining outlet
- E) Cable outlet

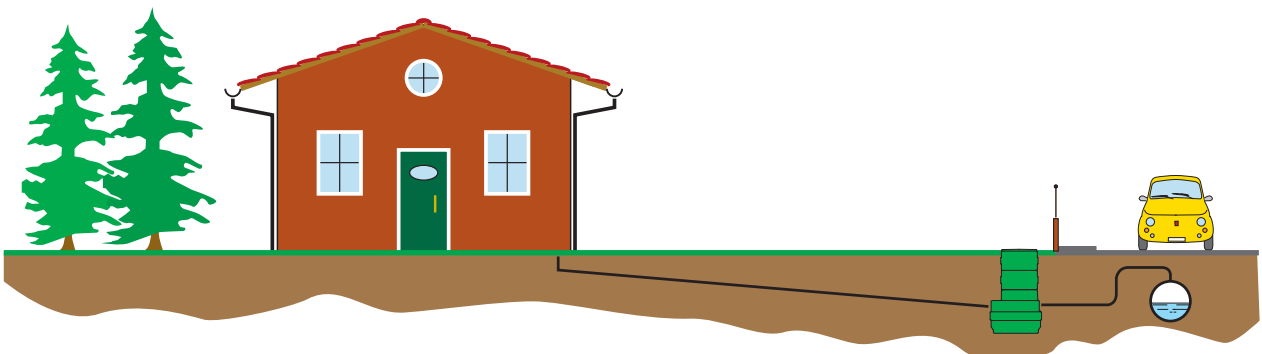
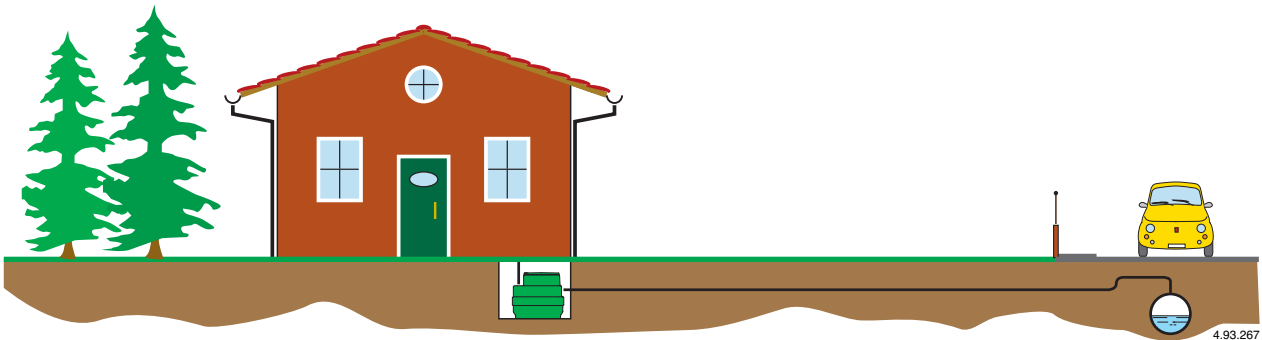
### Dimensions and weights

#### GEO 500



- A-C) inlet and relief
- B) delivery outlet
- D) G 1 1/2 draining outlet
- E) Cable outlet

### Installation examples



### LIFTING STATION SIZING

Normally the domestic waste water flows by gravity into the mains sewage collectors.

If there are underground rooms with discharge positions below the sewage main, a lifting station with one or more pumps may be required.

It is necessary to remember that the UNI-EN 12056-4 standard allows rainwater to be pumped to the sewage main only in exceptional cases.

To sizing a lifting station pump it is necessary to calculate the flow  $Q_{tot}$  and the Head  $h_{mt}$  necessary for the water drainage.

### FLOW CALCULATION

The flow of the lifting pumps can be calculated using Table 1, according to the number of people using the building and the location of the building. It is easy to calculate the flow  $Q_r$  of the sewage water.

The  $Q_r$  value is already adjusted by a coefficient that includes the peak hours, when the water consumption is higher.

The lifting systems of waste water are usually separated from the rainwater system. In case of a mixed system is required to sum the flow  $Q_m$  of the rainwater of the Table 2 with the flow  $Q_r$  of the Table 1.

The table indicates the rainwater flow  $Q_m$  as a function of the exposed surface to rainfall, it varies according to the capacity of the surface to absorb rain water (Table 3).

The total flow of the pump or pumps is:

$$Q_{tot} = Q_r + Q_m$$

### HEAD CALCULATION

To calculate the head  $h_{mt}$  it is necessary to add the geodetic head existing between the fluid levels with the head losses from internal friction created by the flow of the fluid in the hydraulic pipes and fittings (Figure 1).

After the choice of the discharge pipe diameter, such that the flow speed it is not lower than 0,7 m/s (to avoid deposits) and higher than 2,3 m/s, it is possible to determine the distributed head loss  $H_d$  and concentrated head loss  $H_v$   $H_c$ , due to valves and curves (Table 4).

The sum of the head losses  $\Delta P_c$  is:

$$\Delta P_c = H_d + \Sigma H_v + \Sigma H_c$$

The total head  $h_{mt}$  is calculated as:

$$H_{mt} = H_g + \Delta P_c$$

1) Water arriving from sinks discharge, toilets, showers, washing machines etc.  
 2) Excluding consumption from industrial processes.  
 3) The unit flow reference is 1,5 l/min/m<sup>2</sup>

Table 1

Maximum flow of domestic waste water at peak demand

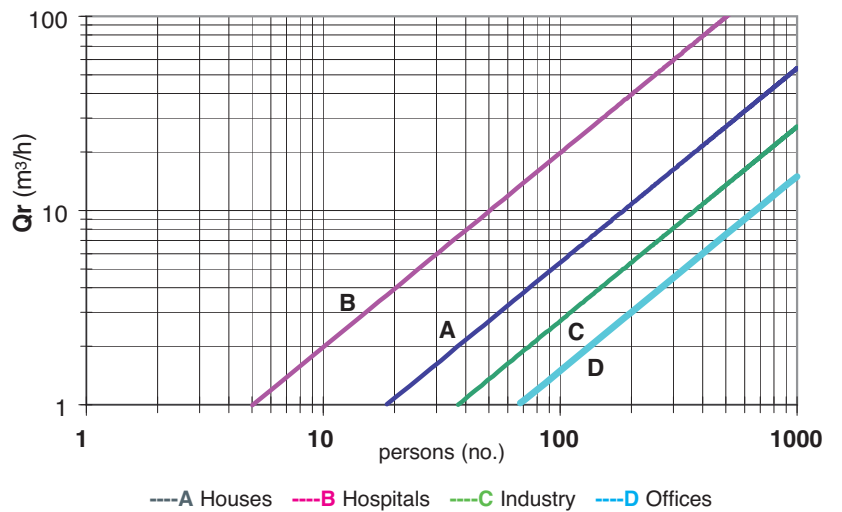


Table 2  
Rainwater Flow

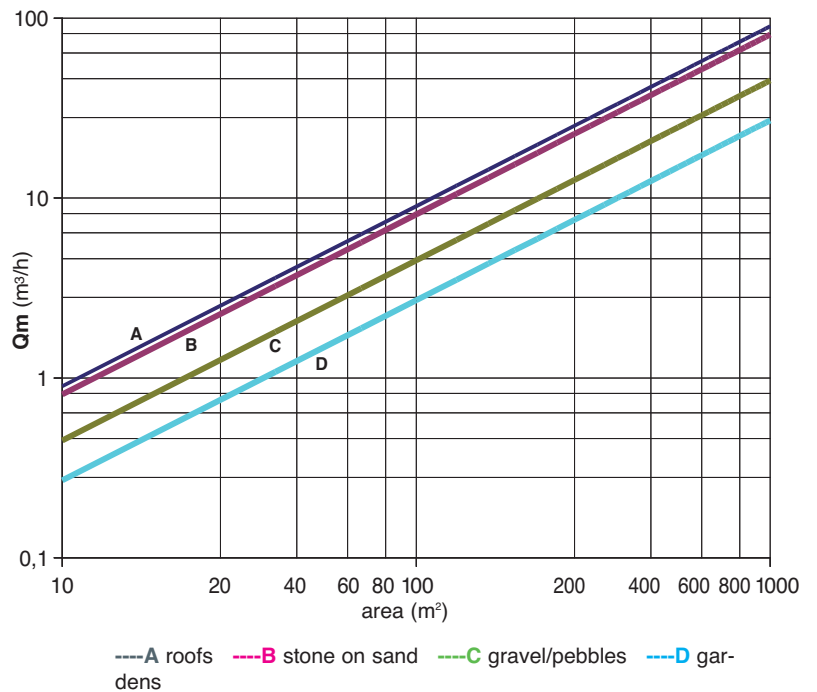


Figure 1

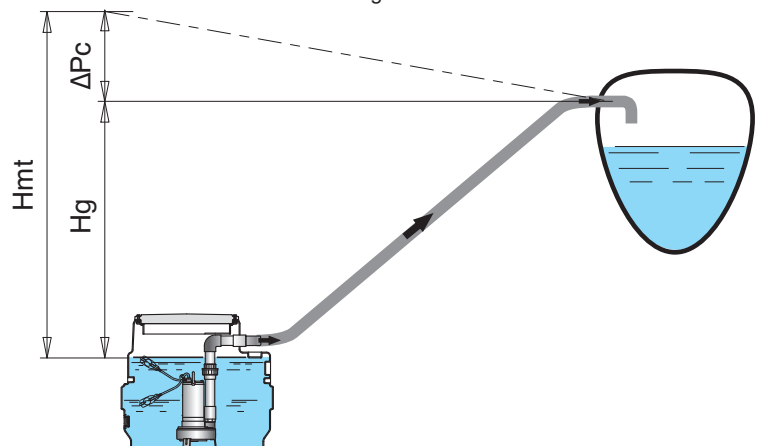


Table no. 3  
Head loss in m for PVC PN6 (m) pipes

PVC pipe PN6 Øe mm	Q m³/h	1,8	3,6	5,4	7,2	9	18	27	36	50,4	64,8	90	126	162	180
	Q l/min	30	60	90	120	150	300	450	600	840	1080	1500	2100	2700	3000
50		0,24	0,85	1,8	3,1	4,6	16,7	35,3	-	-	-	-	-	-	-
	HL	0,30	0,59	0,89	1,18	1,48	2,96	4,44	-	-	-	-	-	-	-
63		0,08	0,26	0,56	0,95	1,11	5,2	10,9	18,6	34,8	-	-	-	-	-
	v	0,18	0,37	0,55	0,73	0,92	1,83	2,75	3,66	5,13	-	-	-	-	-
75		0,11	0,24	0,4	0,61	2,2	4,6	7,9	14,7	23,4	43	-	-	-	-
	m/100m	0,26	0,39	0,51	0,64	1,29	1,93	2,57	3,6	4,63	6,43	-	-	-	-
90		0,05	0,1	0,16	0,25	0,9	1,9	3,3	6,1	9,7	17,8	33,2	-	-	-
	m/s	0,18	0,27	0,36	0,45	0,89	1,34	1,79	2,5	3,22	4,47	6,26	-	-	-
110		0,04	0,06	0,09	0,3	0,67	1,15	2,15	3,4	6,25	11,7	18,5	22,5	-	-
		0,17	0,2	0,29	0,58	0,87	1,16	1,63	2,10	2,91	4,08	5,24	5,82	-	-
125					0,03	0,05	0,17	0,36	0,6	1,15	1,84	3,37	6,3	10	12,2
					0,18	0,23	0,45	0,68	0,90	1,26	1,63	2,26	3,16	4,06	4,52
140					0,03	0,1	0,2	0,35	0,65	1,05	1,95	3,6	5,77	7	-
					0,18	0,36	0,54	0,72	1,01	1,30	1,80	2,52	3,24	3,60	-
160						0,05	0,11	0,18	0,34	0,55	1,02	1,9	3	3,66	-
						0,28	0,41	0,55	0,77	0,99	1,38	1,93	2,48	2,76	-
180						0,03	0,06	0,1	0,19	0,31	0,57	1,06	1,69	2,05	-
						0,22	0,33	0,43	0,61	0,78	1,09	1,52	1,96	2,17	-
200						0,02	0,04	0,06	0,12	0,18	0,34	0,64	1	1,23	-
						0,18	0,26	0,35	0,49	0,63	0,88	1,23	1,59	1,76	-
225						0,02	0,04	0,07	0,1	0,19	0,36	0,57	0,7	-	
						0,21	0,28	0,39	0,55	0,70	0,97	1,25	1,39	-	
250						0,02	0,04	0,06	0,12	0,2	0,36	0,64	1	1,23	-
						0,23	0,32	0,41	0,56	0,79	1,02	1,13	-	-	
280						0,01	0,02	0,04	0,07	0,13	0,2	0,34	0,42	-	
						0,18	0,25	0,32	0,45	0,63	0,81	0,90	-	-	

Table no. 4  
Head loss in cm for bends and gate valves

Water flow velocity m/sec.	α = 90 sweep elbow					Gate valves
	d/R = 0,4	d/R = 0,6	d/R = 0,8	d/R = 1	d/R = 1,5	
0,4	0,11	0,13	0,16	0,23	0,43	0,23
0,5	0,18	0,21	0,26	0,37	0,67	0,37
0,6	0,25	0,29	0,36	0,52	0,97	0,52
0,7	0,34	0,40	0,48	0,70	1,35	0,70
0,8	0,45	0,53	0,64	0,93	1,7	0,95
0,9	0,57	0,67	0,82	1,18	2,2	1,20
1,0	0,7	0,82	1,0	1,45	2,7	1,45
1,5	1,6	1,9	2,3	3,3	6	3,3
2,0	2,8	3,3	4,0	5,8	11	5,8
2,5	4,4	5,2	6,3	9,1	17	9,1
3,0	6,3	7,4	9	13	25	13
3,5	8,5	10	12	18	33	18
4,0	11	13	16	23	42	23
4,5	14	21	26	37	55	37
5,0	18	29	36	52	67	52

### EXAMPLE OF CALCULATION

Suppose it is required to size a lifting station, for a residential building where 80 people live. The pumps will have to lift waste water up to an additional tank located 5m higher, the linear distance between the 2 tanks is 70 m. In addition the station will receive rainwater from 400 m<sup>2</sup> of tarmac, roof surfaces and 120 m<sup>2</sup> of garden.

Considering: **Q tot = Qr + Qm**

It is possible to calculate the Qr from the Table1 which is 4 m<sup>3</sup>/h, while Qm is obtained from the Table 2 and is 36 m<sup>3</sup>/h ( roofs and tarmac) plus 2 m<sup>3</sup>/h from gardens, with this value Qtot is 42 m<sup>3</sup>/h. At this flow it will be necessary split the flow between two pumps.

We choose a delivery pipe diameter such that the flow rate with two pumps in operation does not exceed 2.3 m / sec and not be lower than 0.7 m / s with a single pump.

From (Table 3) we obtain:

**42 m<sup>3</sup>/h => 1,4 m/s => TUBO DN 110** (with two pumps in parallel operation)

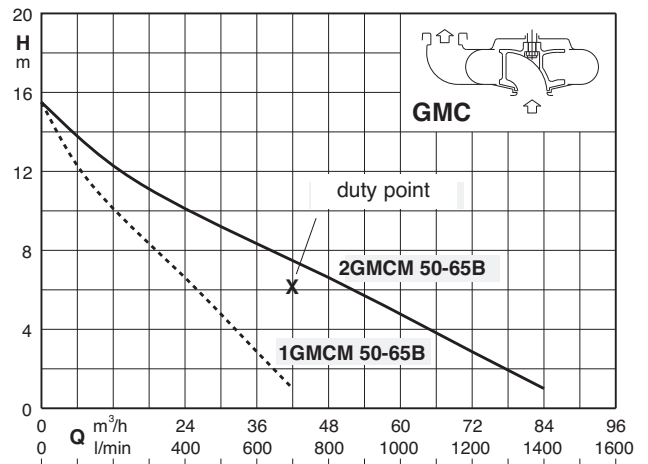
**21 m<sup>3</sup>/h => 0,7 m/s => TUBO DN 110** (with one operating pump)

The distributed head loss in 70 m pipe with 720 l / min is 1.13 m (Table 3), then from the formula:

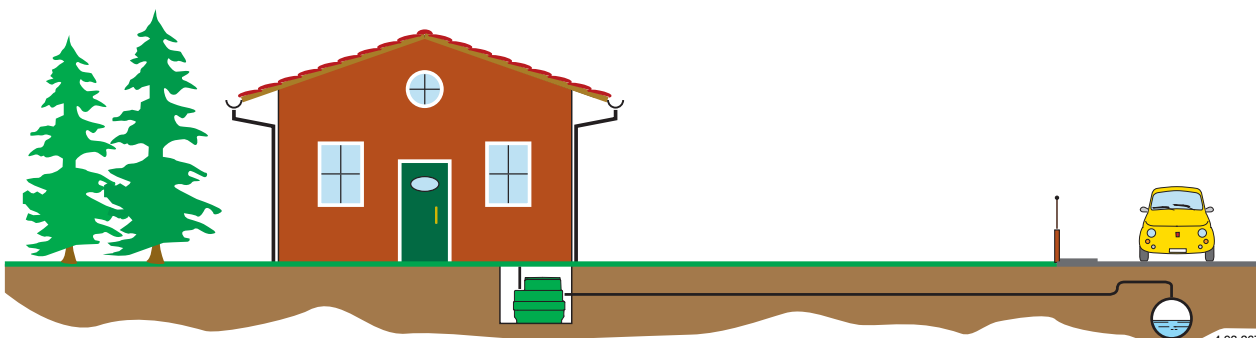
$$H_{mt} = H_g + \Delta p_c$$

It is obtained Hmt = 6,13 mca

he suitable pumps are no. 2 GMCM 50-65B and then it result a station type **GEO 500-2GMCM 50-65B**.



### INSTALLATION EXAMPLE





### Construction

Multi-stage centrifugal submersible pumps with pump jacket in chrome-nickel stainless steel, with vertical delivery port. Motor cooled by the pumped water passing between the motor jacket and the external jacket. Double shaft seal with oil chamber.

### Applications

- For clean water containing solids up to 2 mm grain size.
- For draining rooms or emptying tanks.
- Extraction of water from ponds, streams or pits and for rainwater collection.
- For irrigation purposes.

For outdoor use a power supply cable of not less than 10 m should be used in accordance with: EN 60 335-2-41.

### Operating conditions

Liquid temperature up to 35° C.  
 Maximum immersion depth: 5 m.  
 Minimum water level with float 100 mm.  
 Continuous duty.

### Motor

2-pole induction motor, 50 Hz ( $n \approx 2900$  rpm).

**MP:** three-phase 230 V  $\pm 10\%$ ;  
 three-phase 400 V  $\pm 10\%$ ;

**MPM:** single-phase 230 V,  
 with float switch and thermal protector.  
 Incorporated capacitor.

Insulation class F.

Protection IP X8 (for continuous immersion)

Double impregnation humidity-proof dry winding.

Constructed in accordance with: EN 60034-1;

EN 60335-1, EN 60335-2-41.

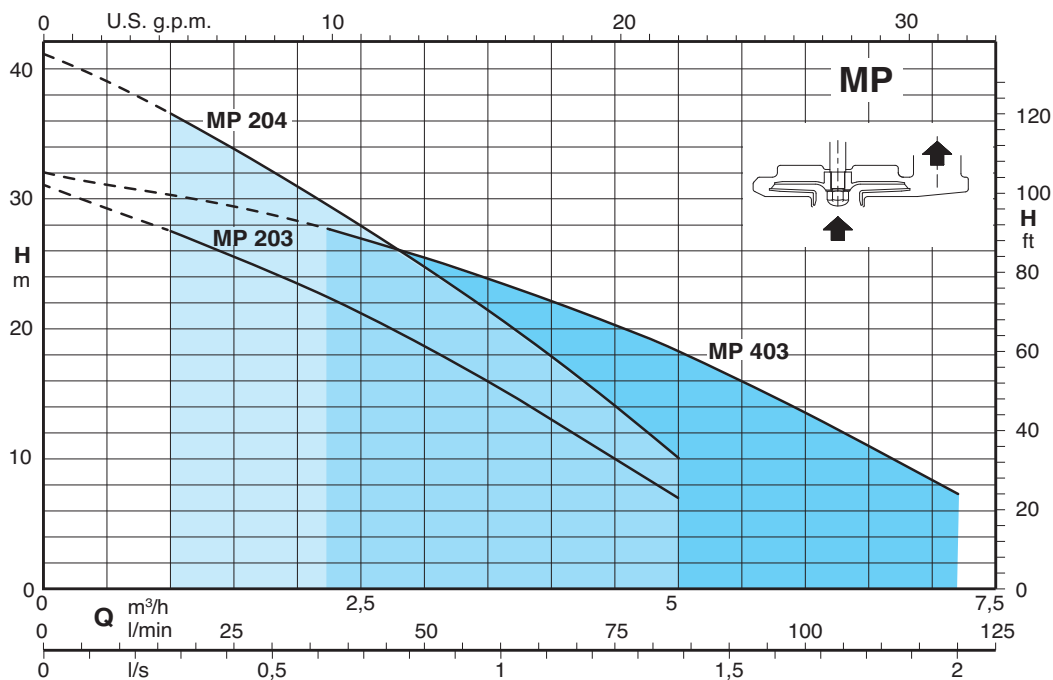
### Other features on request

- Other voltages.
- Frequency 60 Hz (as per 60 Hz data sheet).
- Other mechanical seal.
- Cable length 10 m.
- Vertical magnetic float switch.
- Motor suitable for operation with frequency converter.

### Materials

Component	Material
Pump casing Impeller Stage casing	PPO-GF20 (Noryl)
Motor jacket Pump jacket	Chrome-nickel steel 1.4301 EN 10088 (AISI 304)
Strainer Handle	Polypropylene
Shaft	Chrome-nickel steel 1.4305 EN 10088 (AISI 303)
Mechanical seal	Ceramic alumina/Carbon/NBR
Seal lubrication oil	Oil for food/pharmaceutical machinery

### Coverage chart $n \approx 2900$ rpm



### Performance $n \approx 2900$ rpm

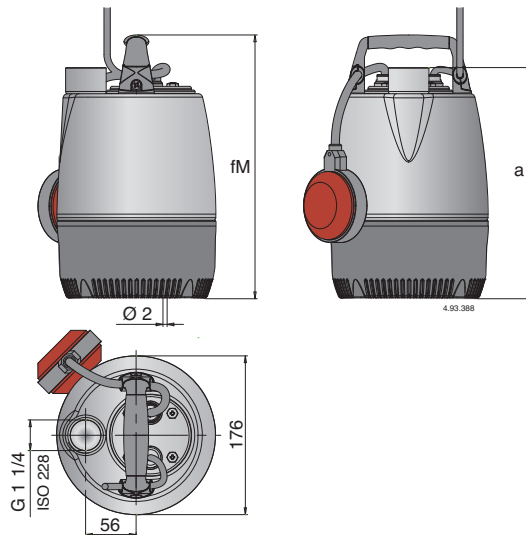
3~	230V 400V		1~	230V Capacitor			P <sub>1</sub>	P <sub>2</sub>		Q											
	A	A		A	$\mu$ f	Vc		kW	kW		HP	m <sup>3</sup> /h	0	1	1,5	2	2,5	3	3,5	4	4,5
<b>MP 203/A</b>	2,3	1,3	<b>MPM 203/A</b>	3,5	12,5	450	0,7	0,37	0,5	H	m	31	27,5	25,5	23,5	21,2	18,6	16	13	10	7
<b>MP 204</b>	2,8	1,6	<b>MPM 204</b>	4,5	16	450	0,95	0,45	0,6		m	41,1	36,5	33,8	30,9	27,9	24,7	21,4	17,9	14,1	10,1

3~	230V 400V		1~	230V Capacitor			P <sub>1</sub>	P <sub>2</sub>		Q											
	A	A		A	$\mu$ f	Vc		kW	kW		HP	m <sup>3</sup> /h	0	2,25	3	3,5	4	4,5	5	6	7,2
<b>MP 403</b>	2,8	1,6	<b>MPM 403</b>	4,5	16	450	0,95	0,45	0,6	H	m	32	27,6	25,5	23,8	22,1	20,3	18,3	13,5	7,3	-
											m										

P<sub>1</sub> Max. power input. P<sub>2</sub> Rated motor power output. Density  $\rho = 1000$  kg/m<sup>3</sup>. Kinematic viscosity  $\nu = \max 20$  mm<sup>2</sup>/sec.  
Tolerances according to UNI EN ISO 9906:2012

Pump type	Power supply cable				Float switch	
	Cable material	Section	Length	Plug CEE 7(VII)	Cable material	Section
MPM 203/A,204,403	H07RN-F	3G1 mm <sup>2</sup>	5 m	SI	H07RN-F	3G1 mm <sup>2</sup>
MP 203/A,204,403	H07RN-F	4G1 mm <sup>2</sup>	5 m	NO	NO	-

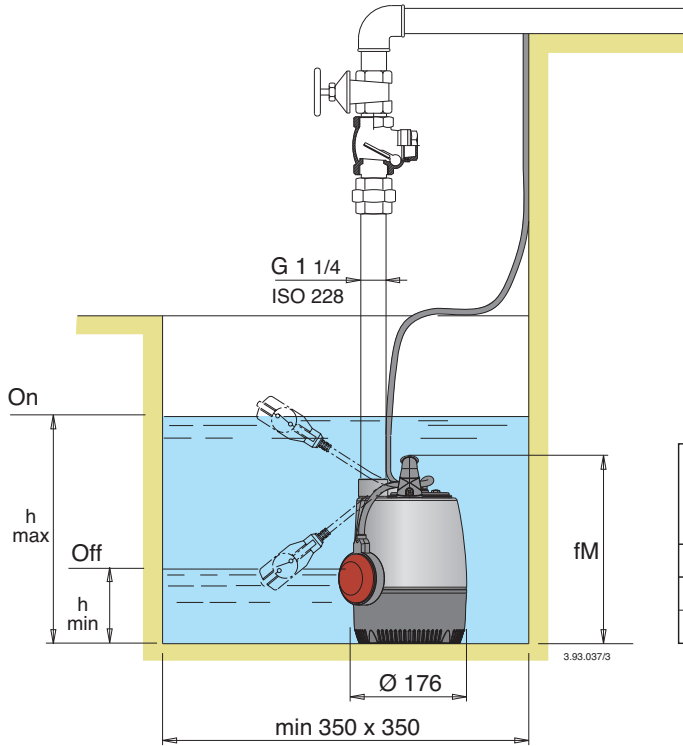
### Dimensions and weights



TYPE	Dimensions mm		(1) kg	
	fM	a	MP	MPM
<b>MP 203/A - MPM 203/A</b>	382,5	346,5	6,4	6,7
<b>MP 204 - MPM 204</b>	382,5	346,5	8,1	8,1
<b>MP 403 - MPM 403</b>	382,5	346,5	8	8

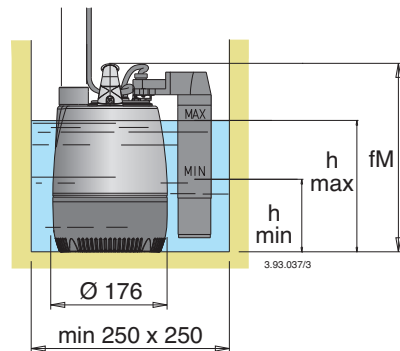
(1) With cable length: 5 m

### Installation examples



TYPE	mm	
	h min	h max
<b>MPM 203/A</b>	218	428
<b>MPM 204</b>	218	428
<b>MPM 403</b>	218	428

### Installation examples with vertical magnetic float switch



TYPE	mm	
	h min	h max
<b>MPM 203/A GF</b>	218	308
<b>MPM 204 GF</b>	218	308
<b>MPM 403 GF</b>	218	308

### Features

G 1 1/4 vertical, upward delivery port for installation in small pits, without the need for an elbow on the pump.

Handle in polypropylene.

Easy inspection of the capacitor area.

Shaft in chrome-nickel stainless steel.

Easy adjustment of the float switch: to allow the adjustment of start/stop pump levels.

Motor cooled by the pumped water passing between the motor jacket and the external jacket.

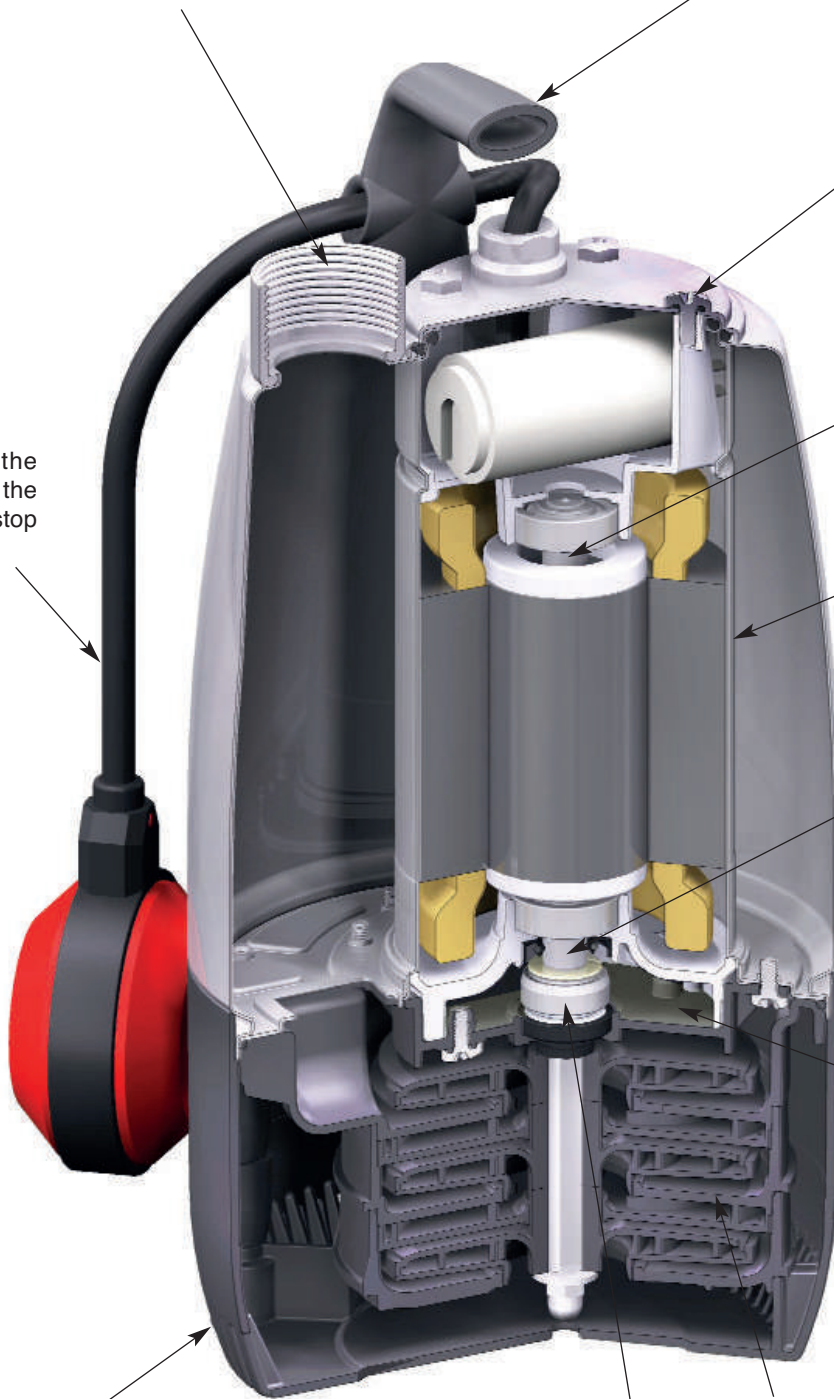
Ceramic stainless steel shaft sleeve.

Oil chamber.

Suction strainer that allows the passage of solids up to 2 mm.

Stage casing and Impeller in PPO-GF20 (Noryl)

The double shaft seal with oil chamber separates the motor from the water and provides further protection against accidental operation when dry.





# MPS

## Multi-Stage Submersible Clean Water Pumps



PATENTED



### Materials

Component	Material
Delivery casing External jacket Suction strainer Motor jacket	Chrome-nickel steel 1.4301 EN 10088 (AISI 304)
Stage casing Impeller	PPO-GF20 (Noryl)
Shaft	Chrome-nickel steel 1.4301 EN 10088 (AISI 304)
Capacitor cover Oil chamber cover Preload ring stages Support ring preload	PPS Polymer (Grivory)
Upper mechanical seal Lower mechanical seal	Steatite, carbon, NBR Carbon, silicon carbide, NBR
Seal lubrication oil	Oil for food machinery and pharmaceutical use

### Construction

5" Close coupled multi-stage submersible pumps.  
**External jacket in stainless steel AISI 304 and stages Noryl.**  
 MPSM with built-in capacitor, accessible through the delivery casing.  
 Hydraulics located below the motor with the motor cooled by the pumped fluid. Safe operation is possible with the motor only partially submerged.  
 Double shaft seal with oil chamber.  
 The suction strainer prevents the entrance of solids with diameter bigger than 2 mm.

### Applications

For water supply from wells, tanks or reservoirs.  
 For domestic, civil and industrial applications, for garden use, irrigation and rain water harvesting systems.

### Operating conditions

Water temperature up to 35 °C.  
 Minimum internal diameter of well: 140 mm.  
 Minimum immersion depth: 100 mm.  
 Maximum immersion depth: 20 m (with suitable cable length).  
 Continuous duty.

### Motor

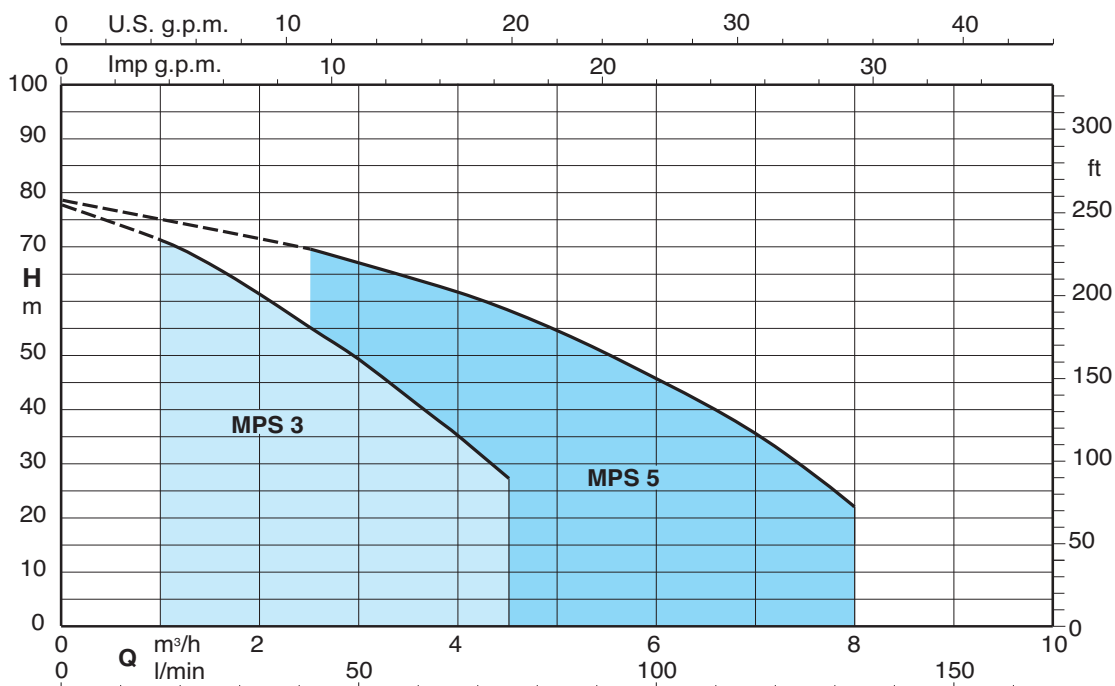
2-pole induction motor, 50 Hz ( $n \approx 2900$  1/min).  
**MPS** : three-phase 230 V  $\pm$  10%;  
 three-phase 400 V  $\pm$  10%.  
 Cable: H07RN8-F, length 15 m, without plug.  
**MPSM** : single-phase 230 V  $\pm$  10%, with thermal protector.  
 Incorporated capacitor.  
 Float switch MPSM.. CG (on demand)  
 Cable: H07RN8-F, length 15 m, with plug CEI-UNEL 47166.

Insulation class F.  
 Protection IP X8 (for continuous immersion).  
 Triple impregnation humidity-proof dry winding.  
 Constructed in accordance with EN 60335-2-41.

### Special features on request

- Other voltages.
- Frequency 60 Hz (as per 60 Hz data sheet).
- Cable length 20 m.
- Motor suitable operation with frequency converter.

### Coverage chart $n \approx 2900$ rpm



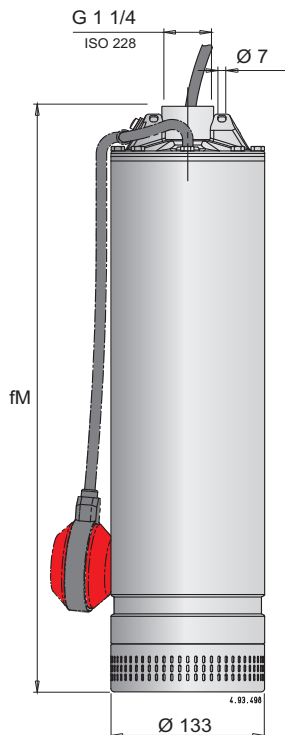
### Performance n ≈ 2900 rpm

3~	230 V 400 V		1~	230 V		Capacitor	P <sub>1</sub>	P <sub>2</sub>		Q	H m								
	A	A		A	μF			V	kW		kW	HP	m <sup>3</sup> /h	0	1	1,5	2	2,5	3
MPS 303	2,4	1,4	MPSM 303	3,5	14	450	0,8	0,45	0,6	H m	0	16,6	25	33,3	41,6	50	58,3	66,6	75
MPS 304	2,8	1,6	MPSM 304	4,1	20	450	0,9	0,55	0,75		0	16,6	25	33,3	41,6	50	58,3	66,6	75
MPS 305	3,3	1,9	MPSM 305	5	20	450	1,1	0,75	1		32,5	29,5	27,5	25,5	23	19,5	17	13	10
MPS 306	3,8	2,2	MPSM 306	6	25	450	1,3	0,9	1,2		44	41,5	39,5	36,5	33,5	29,5	25,5	21	16
MPS 307	4,5	2,6	MPSM 307	6,6	25	450	1,5	0,9	1,2		54	49,5	46,2	43	39,9	35	30	25	19
											66,5	60,5	57	53	48,5	43,5	38	32	26
										75	67,5	63	58	53	47	41	34,5	27	

3~	230 V 400 V		1~	230 V		Capacitor	P <sub>1</sub>	P <sub>2</sub>		Q	H m									
	A	A		A	μF			V	kW		kW	HP	m <sup>3</sup> /h	0	2,5	3	3,5	4	4,5	5
MPS 503	2,8	1,6	MPSM 503	4,1	20	450	0,9	0,55	0,75	H m	0	41,6	50	58,3	66,6	75	83,3	100	116	133
MPS 504	3,8	2,2	MPSM 504	6	25	450	1,2	0,9	1,2		0	41,6	50	58,3	66,6	75	83,3	100	116	133
MPS 505	4,5	2,6	MPSM 505	7	25	450	1,5	1,1	1,5		32,2	28,5	27,5	26	24,5	22,5	21,5	18	13,5	8
MPS 506	4,8	2,8	MPSM 506	8,3	30	450	1,7	1,1	1,5		45	39,5	37,8	35,8	33,5	31	28,5	23	16,5	9,5
MPS 507	6,9	4	MPSM 507	12	35	450	2,2	1,5	2		53	47,5	45,5	43,5	41	38,5	35,5	29,5	22	13,5
											66,5	58	55,6	53	50	46,3	42,5	34	24,5	14
										78,5	69,5	66,5	64	61,5	58	54,5	45,5	36	22	

P1 Max. power input. P2 Rated motor power output. Tolerances according to UNI EN ISO 9906:2012 Test results with clean cold water, without gas content.

### Dimensions and weights



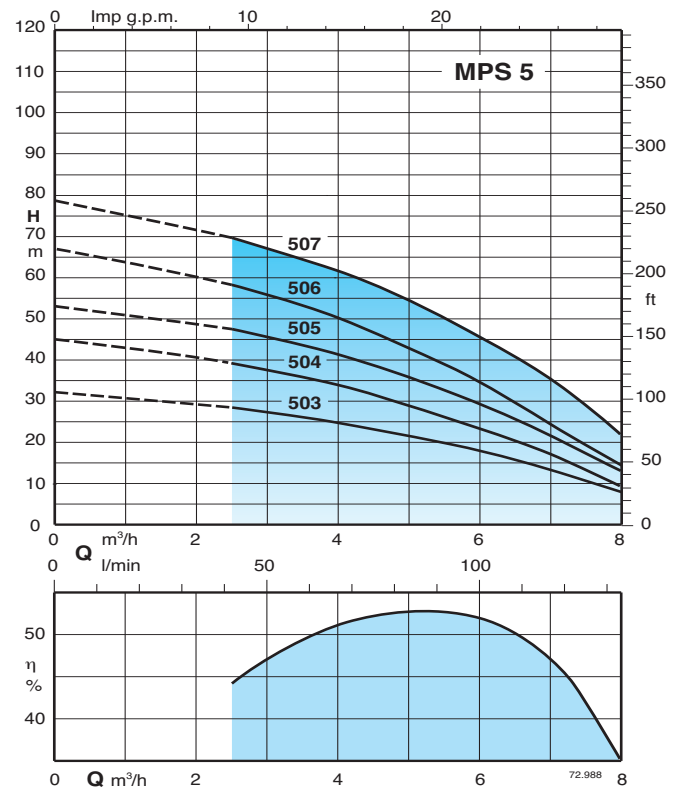
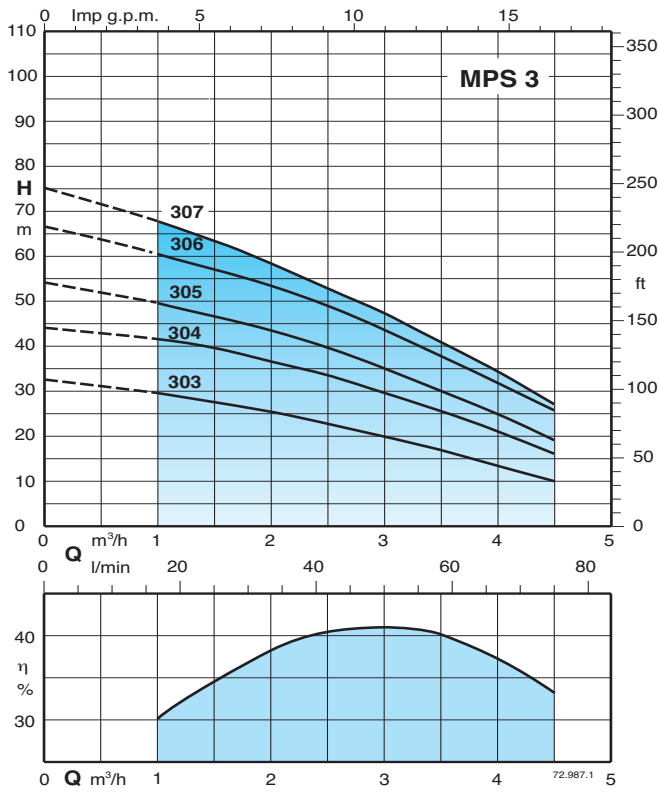
MPSM ... CG

With float switch pump (on demand)

### Weights with cable length: 15 m

Pump	fM mm	kg		Cable H07RN8-F		
		MPS	MPSM	230V 1~	230V 3~	400V 3~
MPS 303 - MPSM 303	465	11	12	3G1 mm <sup>2</sup>	4G1 mm <sup>2</sup>	4G1 mm <sup>2</sup>
MPS 304 - MPSM 304	504	11,5	12,5	3G1 mm <sup>2</sup>	4G1 mm <sup>2</sup>	4G1 mm <sup>2</sup>
MPS 305 - MPSM 305	553	12	13	3G1 mm <sup>2</sup>	4G1 mm <sup>2</sup>	4G1 mm <sup>2</sup>
MPS 306 - MPSM 306	577	13,5	15	3G1 mm <sup>2</sup>	4G1 mm <sup>2</sup>	4G1 mm <sup>2</sup>
MPS 307 - MPSM 307	601	14	15,5	3G1 mm <sup>2</sup>	4G1 mm <sup>2</sup>	4G1 mm <sup>2</sup>
MPS 503 - MPSM 503	480	11,5	12,5	3G1 mm <sup>2</sup>	4G1 mm <sup>2</sup>	4G1 mm <sup>2</sup>
MPS 504 - MPSM 504	529	13,5	14,5	3G1 mm <sup>2</sup>	4G1 mm <sup>2</sup>	4G1 mm <sup>2</sup>
MPS 505 - MPSM 505	553	14	15	3G1 mm <sup>2</sup>	4G1 mm <sup>2</sup>	4G1 mm <sup>2</sup>
MPS 506 - MPSM 506	622	15,5	17	3G1,5 mm <sup>2</sup>	4G1 mm <sup>2</sup>	4G1 mm <sup>2</sup>
MPS 507 - MPSM 507	671	17	18,5	3G2,5 mm <sup>2</sup>	4G1 mm <sup>2</sup>	4G1 mm <sup>2</sup>

### Characteristic curves $n \approx 2900$ rpm



### Features

#### Innovative

Designed to withstand water hammering and the ON-OFF operation of any valve located in the discharge line.

The impacts generated by water hammering or by the closing of the valve are fully supported by the capacitor cover, which relieves the stresses on a specific support made on the stainless steel jacket, without affecting the plastic hydraulic part.

#### Flexible

Allows the inspection of the capacitor without disassembling the pump, through the delivery casing.

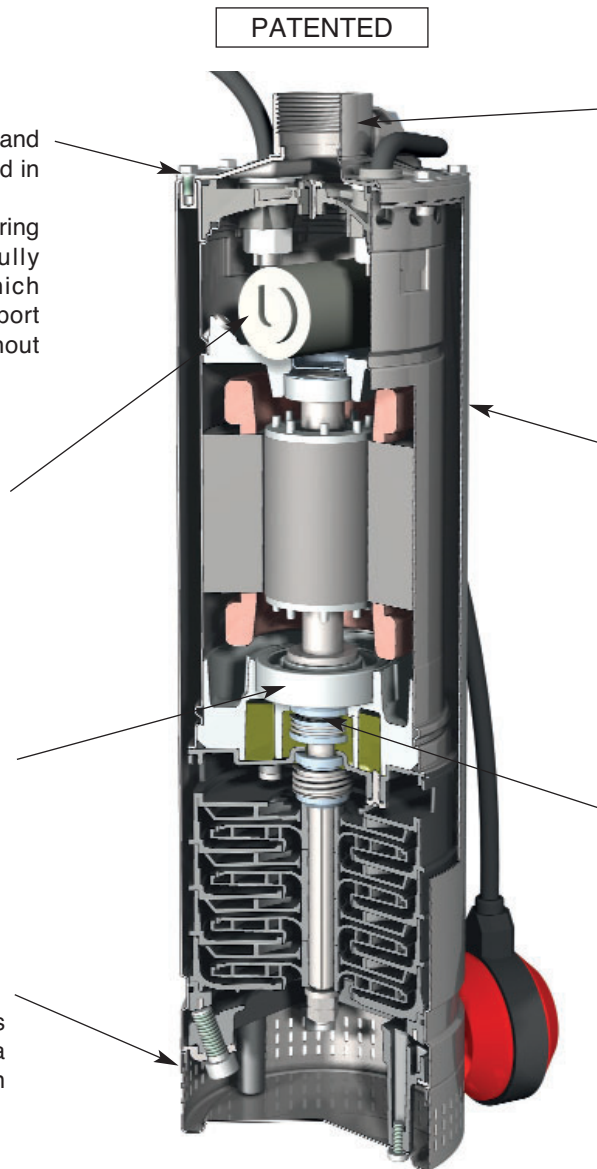
#### Reliable

The ball bearings and shaft are sized in order to reduce stresses, guaranteeing high reliability in any operating condition.

#### Low cost installation

Immersed, without suction pipe and valves. The cylindrical suction strainer provides support for the pump when installed on a flat surface or tank bottom. For operation with 100 mm minimum water level.

PATENTED



#### Robust

Its robust stainless steel external construction allows for the pump to be suspended from the delivery pipe.

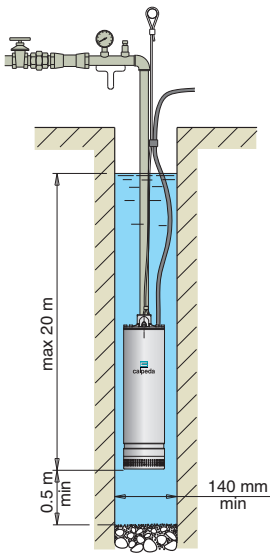
#### Low-Noise operation

The design of hydraulic parts, the water-filled shroud around the motor and the submerged operation ensures low noise operation.

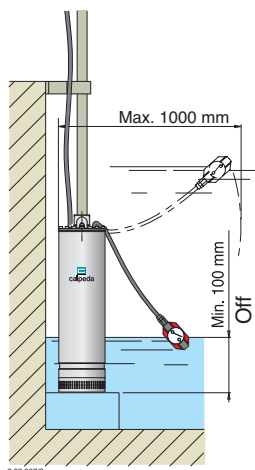
#### Greater Safety

The double shaft sealing with an oil chamber separates the motor from the water and provides further protection against accidental operation when dry.

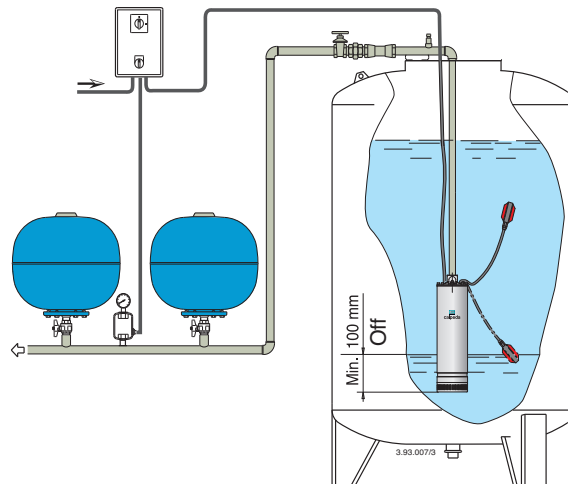
### Installation



Pump in suspended position



Pump with float switch (on demand)



Installation example

# MXS

## Multi-Stage Submersible Clean Water Pumps in stainless steel



PATENTED



### Construction

5" Close coupled multi-stage submersible pumps.  
**All parts in contact with the fluid both internal and external are in chrome-nickel stainless steel.**  
 MXSM with built-in capacitor, accessible through the delivery casing. Hydraulics located below the motor with the motor cooled by the pumped fluid. Safe operation is possible with the motor only partially submerged.  
 Double shaft seal with oil chamber.  
 The suction strainer prevents the entrance of solids with diameter bigger than 2 mm.

### Applications

For water supply from wells, tanks or reservoirs.  
 For domestic, civil and industrial applications, for garden use, irrigation and rain water harvesting systems.

### Operating conditions

Water temperature up to 35 °C.  
 Minimum internal diameter of well: 140 mm.  
 Minimum immersion depth: 100 mm.  
 Maximum immersion depth: 20 m (with suitable cable length).  
 Continuous duty.

### Motor

2-pole induction motor, 50 Hz ( $n \approx 2900$  1/min).  
**MXS** : three-phase 230 V  $\pm$  10%;  
 three-phase 400 V  $\pm$  10%.  
 Cable: H07RN8-F, length 15 m, without plug.  
**MXSM**: single-phase 230 V  $\pm$  10%, with thermal protector.  
 Incorporated capacitor.  
 Float switch MXSM.. CG up to 10A (on demand)  
 Cable: H07RN8-F, length 15 m, with plug CEI-UNEL 47166.  
 Insulation class F.  
 Protection IP X8 (for continuous immersion).  
 Triple impregnation humidity-proof dry winding.  
 Constructed in accordance with EN 60335-2-41.

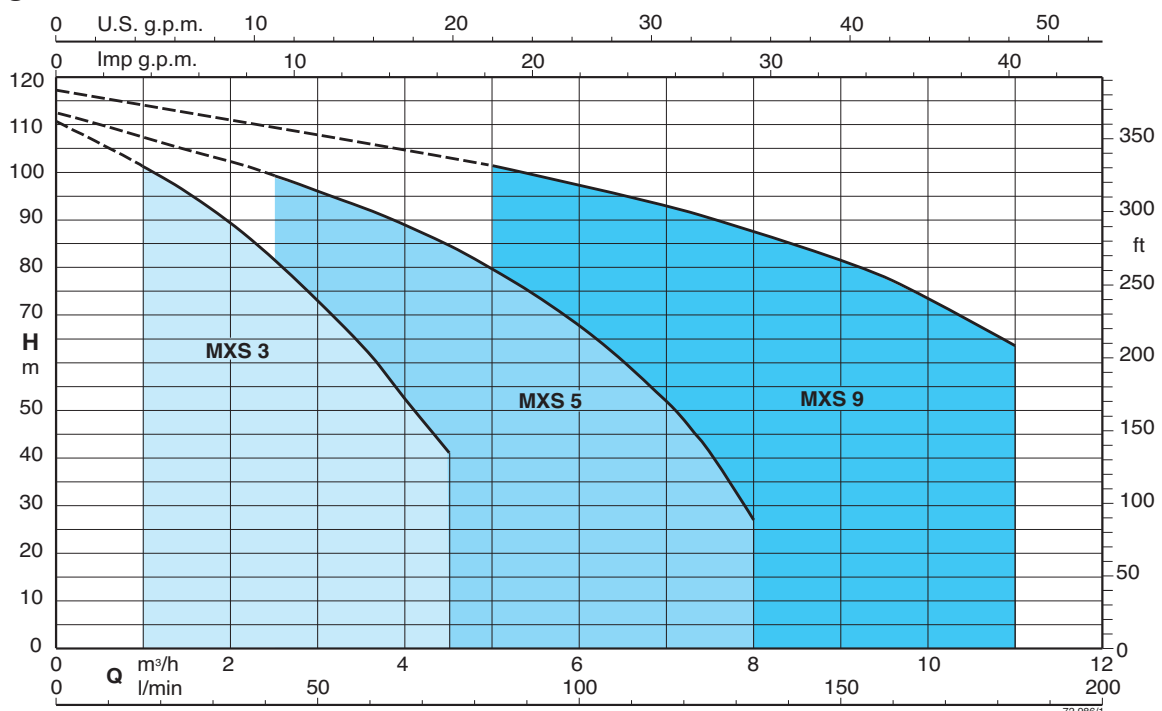
### Materials

Component	Material
Delivery casing	Chrome-nickel steel 1.4301 EN 10088 (AISI 304)
External jacket	
Suction strainer	
Stage casing	
Spacer sleeve	
Impeller	
Motor jacket	
Jacket cover	
Oil chamber cover	
Shaft	
Upper mechanical seal	Steatite, carbon, NBR
Lower mechanical seal	Ceramic alumina, silicon carbide, NBR
Seal lubrication oil	Oil for food machinery and pharmaceutic use

### Special features on request

- Other voltages. - Frequency 60 Hz (as per 60 Hz data sheet).
- Cable length 20 m.
- Motor suitable operation with frequency converter.

### Coverage chart $n \approx 2900$ rpm



### Performance n ≈ 2900 rpm

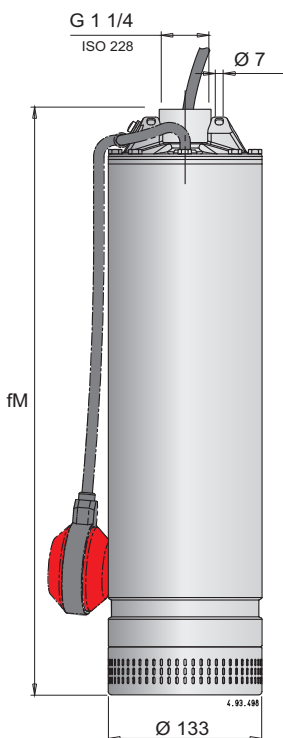
3 ~	230 V		400 V	1 ~	230 V			Capacitor		P1	P2		Q	m³/h								
	A	A			A	µF	V	kW	kW		HP	0		1	1,5	2	2,5	3	3,5	4	4,5	
MXS 303	2,4	1,4	MXSM 303	3,5	14	450	0,8	0,45	0,6	H m	0	16,6	25	33,3	41,6	50	58,3	66,6	75			
MXS 304	2,8	1,6	MXSM 304	4,1	20	450	0,9	0,55	0,75		32,5	29,5	27,5	25,5	23	19,5	17	13	10			
MXS 305	3,3	1,9	MXSM 305	5	20	450	1,1	0,75	1		44	41,5	39,5	36,5	33,5	29,5	25,5	21	16			
MXS 306	3,8	2,2	MXSM 306	6	25	450	1,3	0,9	1,2		53	49,5	47	44	40	35	30	25	19			
MXS 307	4,5	2,6	MXSM 307	6,6	25	450	1,5	0,9	1,2		65	61	58	54	49	43	37	30,5	23			
MXS 308	4,8	2,8	MXSM 308	8,3	30	450	1,7	1,1	1,5		77,5	71	66,5	61	55	49	42	35	27			
MXS 309	6,6	3,8	MXSM 309	9	30	450	1,9	1,5	2		88,5	81,5	76	70,5	64	56,5	49,5	41	32			
MXS 310	7,5	4,3	MXSM 310	12	35	450	2,2	1,5	2		100	91	85	78,5	70,5	62,5	54,4	45	35			
											111	101,5	95	88,5	80	71	62	52,5	41,5			

3 ~	230 V		400 V	1 ~	230 V			Capacitor		P1	P2		Q	m³/h								
	A	A			A	µF	V	kW	kW		HP	0		2,5	3	3,5	4	4,5	5	6	7	8
MXS 503	2,8	1,6	MXSM 503	4,1	20	450	0,9	0,55	0,75	H m	0	41,6	50	58,3	66,6	75	83,3	100	116	133		
MXS 504	3,8	2,2	MXSM 504	6	25	450	1,2	0,9	1,2		32,2	28,5	27,5	26	24,5	22,5	21,5	18	13,5	8		
MXS 505	4,5	2,6	MXSM 505	7	25	450	1,5	1,1	1,5		43	39	38	36,5	34,5	33	30,5	25,5	19,5	13		
MXS 506	4,8	2,8	MXSM 506	8,3	30	450	1,7	1,1	1,5		53	47,5	45,5	43,5	41	38,5	35,5	29,5	22	13,5		
MXS 507	6,9	4	MXSM 507	12	35	450	2,2	1,5	2		66,5	58	55,6	53,5	51	48	45	36,5	27,5	16		
MXS 508	7,5	4,3	MXSM 508	13	35	450	2,4	1,5	2		78,5	69,5	66,5	64	61,5	58	54,5	45,5	36	22		
MXS 509	9,7	5,6	MXSM 509	14,3	40	450	2,9	2,2	3		88,5	78	75	72	68	64	60	50	38	25		
MXS 510	9,7	5,6						2,2	3		101	91	87,5	84	80,5	75,5	71	60	46,5	28,5		
											111	100	96,5	93	89	84,5	80	66,5	52	31		

3 ~	230 V		400 V	1 ~	230 V			Capacitor		P1	P2		Q	m³/h								
	A	A			A	µF	V	kW	kW		HP	0		5	6	7	8	9	10	11		
MXS 903	4,5	2,6	MXSM 903	7	25	450	1,5	1,1	1,5	H m	0	83,3	100	116	133	150	166,6	183,3				
MXS 904	6,6	3,8	MXSM 904	9	30	450	1,9	1,5	2		34	28,2	26,8	25,2	23,3	21,2	18,5	15,5				
MXS 905	7,5	4,3	MXSM 905	13	35	450	2,4	2,2	3		45,5	39	37	35	32,5	30	26,5	22,5				
MXS 906	9,7	5,6	MXSM 906	14,3	40	450	2,9	2,2	3		58	49	46,5	45	42,5	38,5	34	30				
MXS 907	11,4	6,6						3	4		70	59,5	56,5	54	50,5	46,5	42	37				
MXS 908	14,7	8,5						3	4		81	71	68,5	66	62	58	53	47				
MXS 909	14,7	8,5						3	4		93	81	78	75	71	66	60,5	53				
MXS 910	14,7	8,5						3	4		105	92	88	84	79	73,5	67,5	57,5				
											117	101,2	96,5	93	87,5	81,5	73,5	63,5				

P1 Max. power input. P2 Rated motor power output. Tolerances according to UNI EN ISO 9906:2012 Test results with clean cold water, without gas content.

### Dimensions and weights

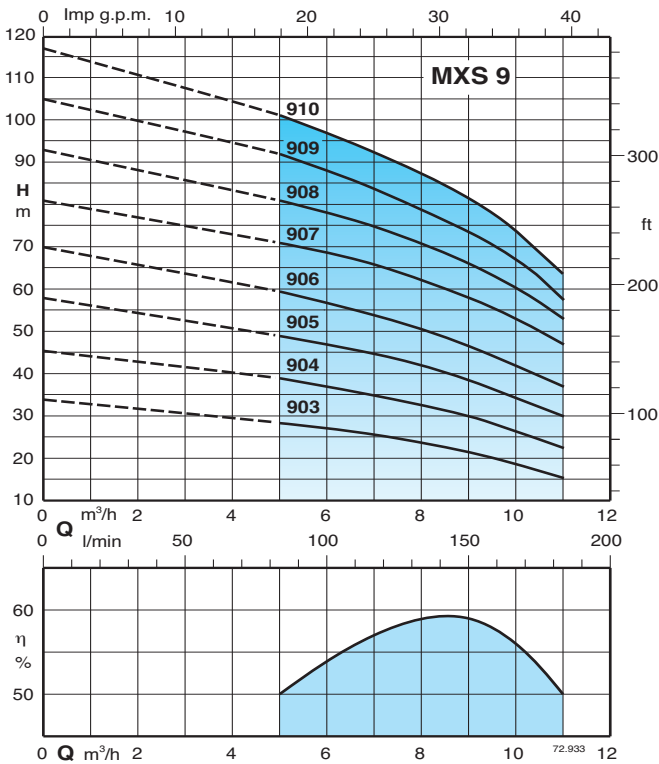
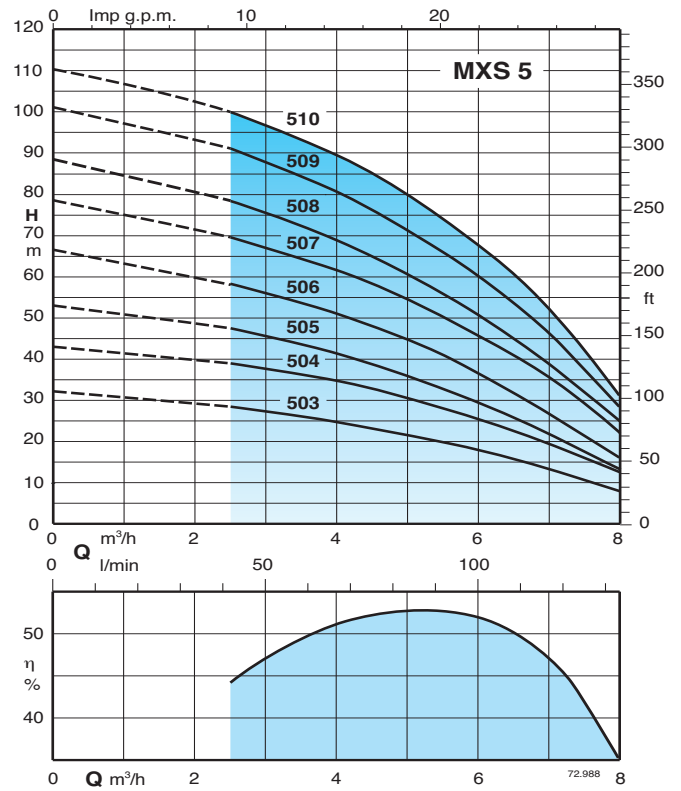
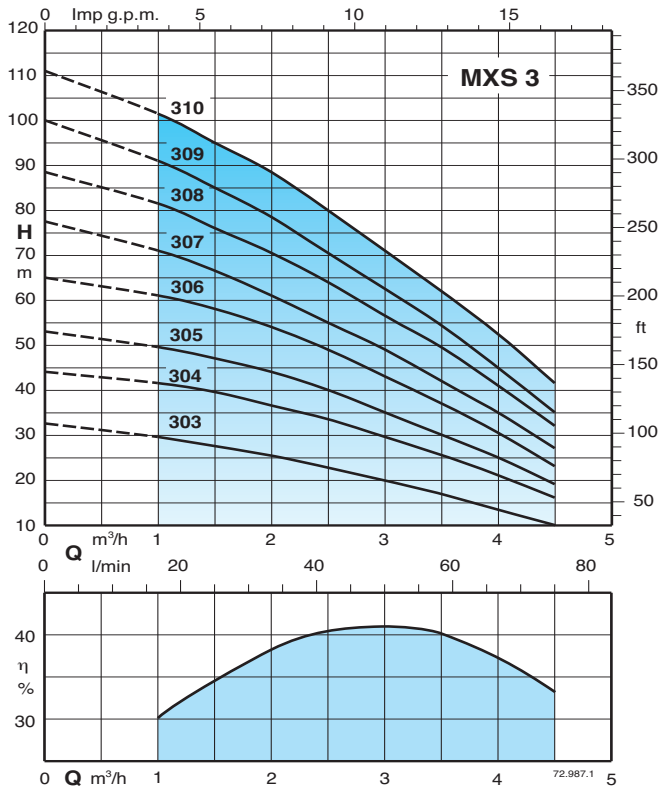


MXSM ... CG  
With float switch pump  
(on demand)

### Weights with cable length: 15 m

Pump	fM mm	kg		Cavo H07RN8-F		
		MXS	MXSM	230V 1 ~	230V 3 ~	400V 3 ~
MXS 303 - MXSM 303	465	12,5	13,5	3G1 mm²	4G1 mm²	4G1 mm²
MXS 304 - MXSM 304	504	14,5	15,5	3G1 mm²	4G1 mm²	4G1 mm²
MXS 305 - MXSM 305	553	15	16,5	3G1 mm²	4G1 mm²	4G1 mm²
MXS 306 - MXSM 306	577	15,5	17	3G1 mm²	4G1 mm²	4G1 mm²
MXS 307 - MXSM 307	601	16	17,5	3G1 mm²	4G1 mm²	4G1 mm²
MXS 308 - MXSM 308	671	18,5	19,5	3G1,5 mm²	4G1 mm²	4G1 mm²
MXS 309 - MXSM 309	695	20,6	21,6	3G1,5 mm²	4G1,5 mm²	4G1 mm²
MXS 310 - MXSM 310	744	23	25,1	3G2,5 mm²	4G1,5 mm²	4G1 mm²
MXS 503 - MXSM 503	480	14,5	15,5	3G1 mm²	4G1 mm²	4G1 mm²
MXS 504 - MXSM 504	529	15	16	3G1 mm²	4G1 mm²	4G1 mm²
MXS 505 - MXSM 505	553	16,1	17,6	3G1 mm²	4G1 mm²	4G1 mm²
MXS 506 - MXSM 506	622	17,5	19	3G1,5 mm²	4G1 mm²	4G1 mm²
MXS 507 - MXSM 507	671	20	21,5	3G2,5 mm²	4G1 mm²	4G1 mm²
MXS 508 - MXSM 508	695	20,5	22	3G2,5 mm²	4G1,5 mm²	4G1 mm²
MXS 509 - MXSM 509	744	23	24,5	3G2,5 mm²	4G1,5 mm²	4G1 mm²
MXS 510	768	27			4G1,5 mm²	4G1 mm²
MXS 903 - MXSM 903	523	16,1	17,6	3G1,5 mm²	4G1 mm²	4G1 mm²
MXS 904 - MXSM 904	573	18,2	19,7	3G1,5 mm²	4G1 mm²	4G1 mm²
MXS 905 - MXSM 905	653	19	22	3G2,5 mm²	4G1,5 mm²	4G1 mm²
MXS 906 - MXSM 906	708	23	26	3G2,5 mm²	4G1,5 mm²	4G1 mm²
MXS 907	738	26,3			4G2,5 mm²	4G1 mm²
MXS 908	793	27			4G2,5 mm²	4G1 mm²
MXS 909	823	28,1			4G2,5 mm²	4G1,5 mm²
MXS 910	853	29,5			4G2,5 mm²	4G1,5 mm²

### Characteristic curves $n \approx 2900$ rpm



### Features

#### Flexible

Allows the inspection of the capacitor without disassembling the pump, through the delivery casing.

#### Reliable

The ball bearings and shaft are sized in order to reduce stresses, guaranteeing high reliability in any operating condition.

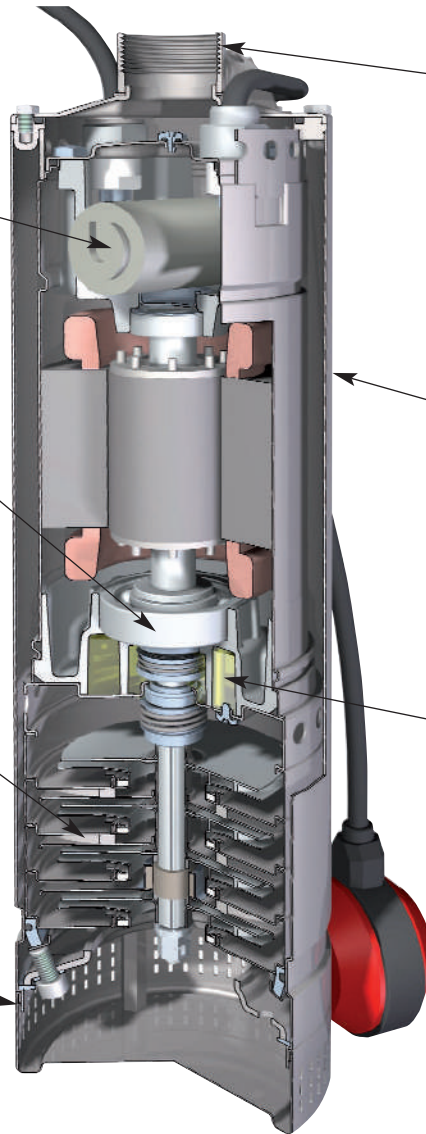
#### Totally in stainless steel

All parts in contact with the pumped liquid both internal and external are in stainless steel AISI 304, without plastic materials and components.

#### Low cost installation

Immersed, without suction pipe and valves. The cylindrical suction strainer provides support for the pump when installed on a flat surface or tank bottom. For operation with 100 mm minimum water level.

PATENTED



#### Robust

Its robust stainless steel construction allows for the pump to be suspended from the delivery pipe.

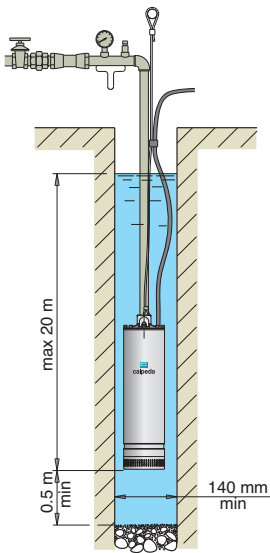
#### Low-Noise operation

The design of hydraulic parts, the water-filled shroud around the motor and the submerged operation ensures low noise operation.

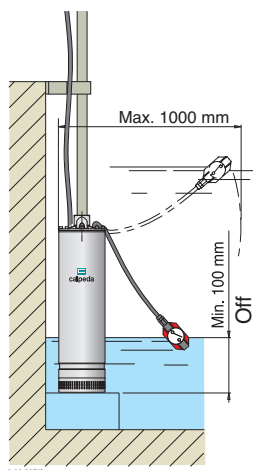
#### Greater Safety

The double shaft sealing with an oil chamber separates the motor from the water and provides further protection against accidental operation when dry.

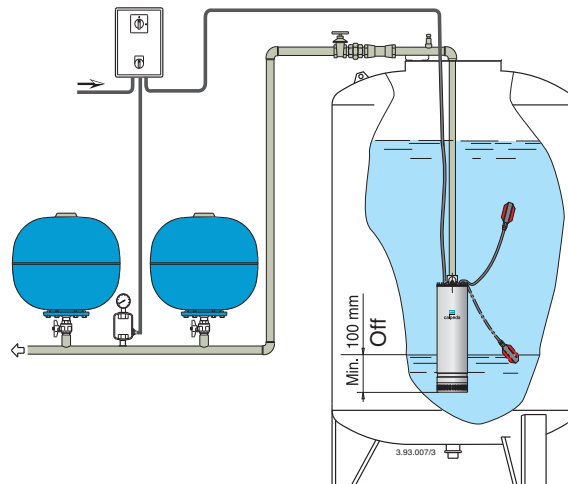
### Installation



Pump in suspended position



Pump with float switch (on demand)



Installation example





### Construction

Submersible borehole pumps for 4" wells (DN 100 mm), and 6" (DN 150 mm), with external jacket in stainless steel AISI 304 and impellers in Noryl.

#### Impellers

radial floating impellers	4SDP
radial impellers	6SDN 12, 16, 21
mixed flow impellers	6SD 18, 19, 20

**Connection:** screwed connection ISO 228.  
Delivery casing with built-in non-return valve.

### Applications

- For water supply.
- For civil and industrial applications.
- For fire fighting applications.
- For irrigation.

### Operating conditions

- Liquid temperature: - up to a 35 °C for 4" motors  
- up to a 25 °C for 6" motors.
- Max. sand quantity into the water: 150 g/m<sup>3</sup> (300 g/m<sup>3</sup> high percentage of solids and sand).
- Continuous duty.

### Rewindable motor CS-R series

- 2-pole induction motor, 50 Hz (n ≈ 2900 rpm).  
Sized for connection to the pumps according to NEMA Standards.  
Standard voltages:
- single-phase 230 V up to 2,2 kW for 4" motors.
  - three-phase 230 V; 400 V, for 4" motors.
  - three-phase 400 V; 400/690 V, for 6" motors.
- Voltage tolerance : +6% / -10%.

In order to limit both current and torque at each starting, for rated motor powers equal to or higher than 7.5 kW, one of the following types of starting is necessary: star/delta, soft starter, stator impedance or autotransformer.

The electropumps 4SDP 1,2,3,6 series comply with the European Regulation no. 547/2012.

### Operating conditions motor

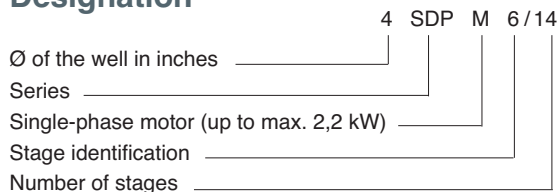
Motor	Max. Liquid temperature	Cooling: minimum flow velocity	Max. starts per hour	Motor P2
4CS-R	35 °C	0,08 m/s	20	all types
6CS-R	30 °C	0,1 m/s	15	4÷11 kW
		0,2 m/s	15	13÷15 kW
	25 °C	0,2 m/s	15	18,5 kW
		0,2 m/s	13	22÷30 kW

Insulation class F for 4" motors, class E for 6" motors.  
Motor suitable operation with frequency converter .  
Protection IP 68.

### Special features on request

- Other voltages.
- 60 Hz frequency.
- Other temperatures.
- Encapsulated motor FK series.

### Designation



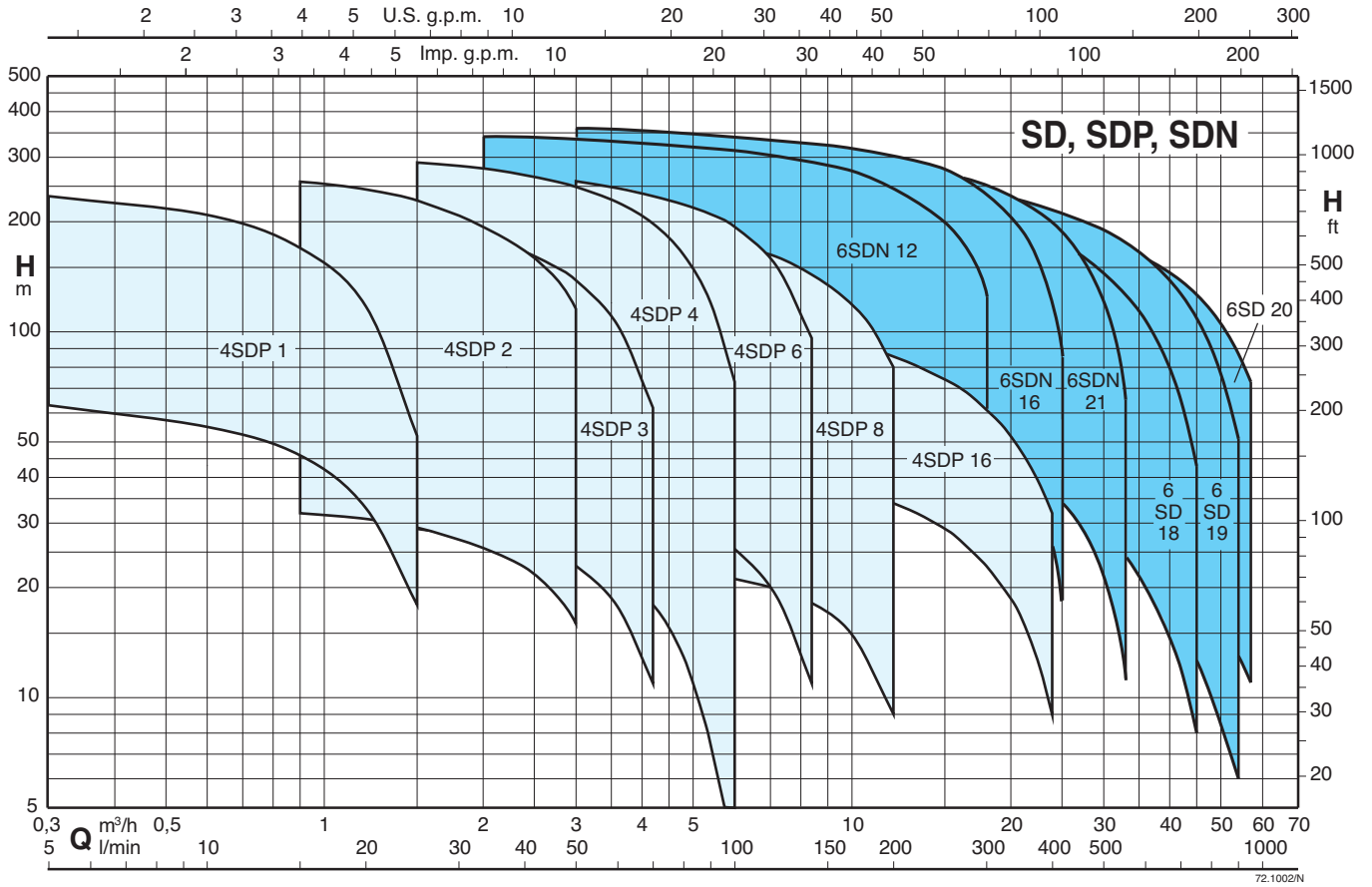
### Materials

Pump Components	4SDP	6SD, 6SDN
External jacket	Cr-Ni steel AISI 304	Cr-Ni steel AISI 304
Stage casing	Cr-Ni steel AISI 304	Cr-Ni steel AISI 304
Diffuser	Polycarbonate	GFN2V* (NORYL®)*
Impeller	GFN2V* (NORYL®)*	GFN2V* (NORYL®)*
Wear ring	-	Cr-Ni steel AISI 304
Shaft	Cr-Ni steel AISI 304	Cr steel AISI 430 F
Delivery casing	Cr-Ni steel	Bronze
Suction lantern	AISI 304	G-Cu Sn 10 EN 1982
Bearing bush	POM - POLYACETAL	Rubber
Strainer	Cr-Ni steel AISI 304	Cr-Ni steel AISI 430
Screws	Cr-Ni steel AISI 304	Cr-Ni steel AISI 304

\* Trademark of General Electric

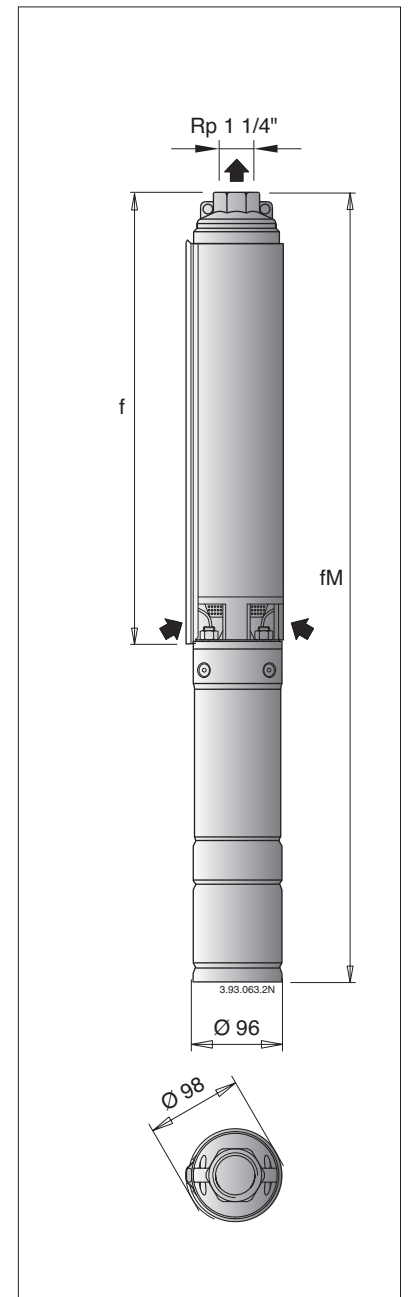
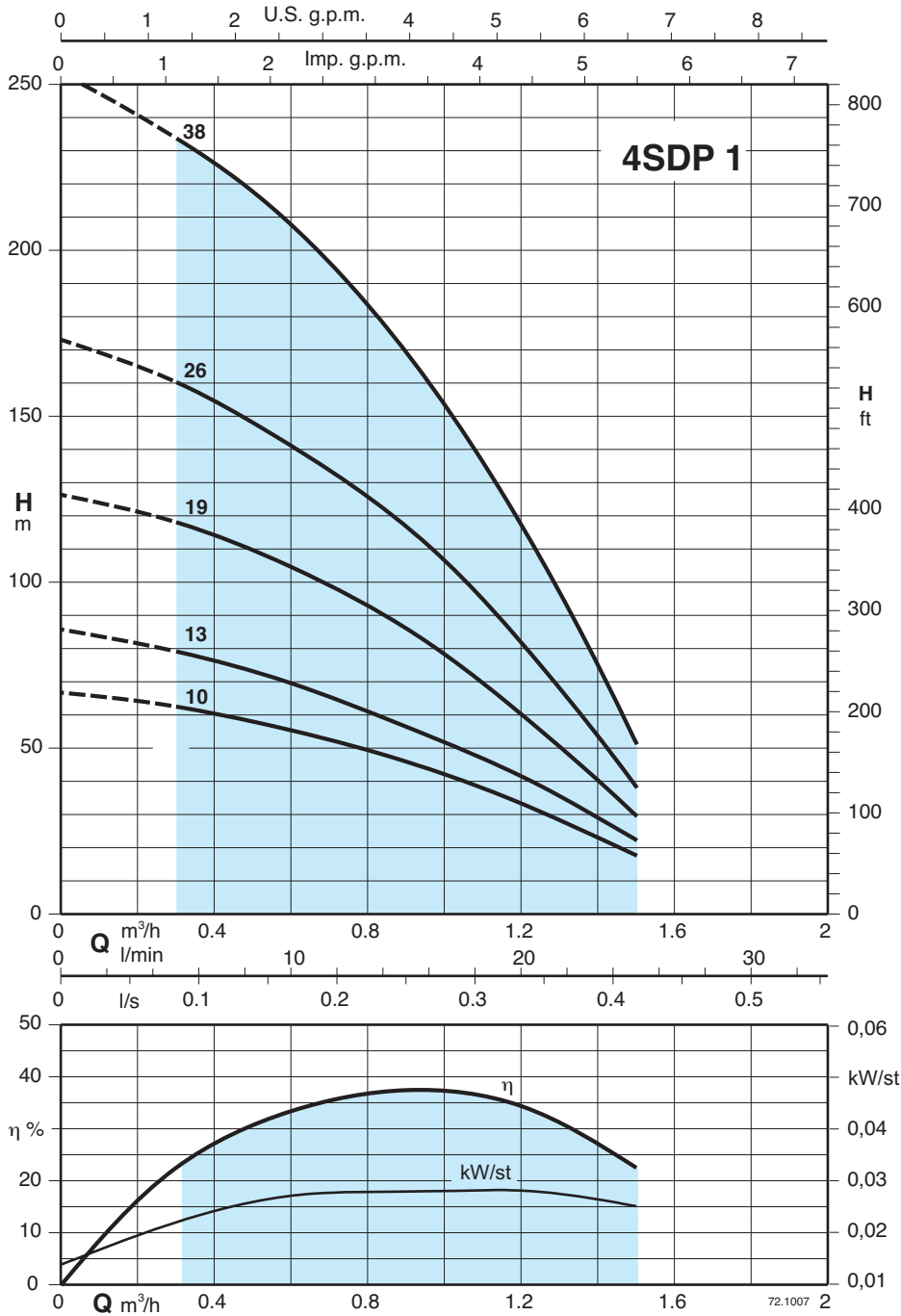
Motor Components	4CS-R	6CS-R
External frame	Cr-Ni steel AISI 304	Cr-Ni steel AISI 304
Motor flange	Cast iron GJL 200 EN 1561 nickel-plated	Cast iron GJL 200 EN 1561
Shaft	Cr-Ni-Mo steel AISI 316 (shaft end)	Cr steel AISI 431
Thrust bearing	Oil wetted ball type	Oscillation pads
Bearing bush	Oil wetted ball type	Graphite

Coverage chart  $n \approx 2900$  rpm





### Characteristic curves, performance $n \approx 2900$ rpm, dimensions and weights



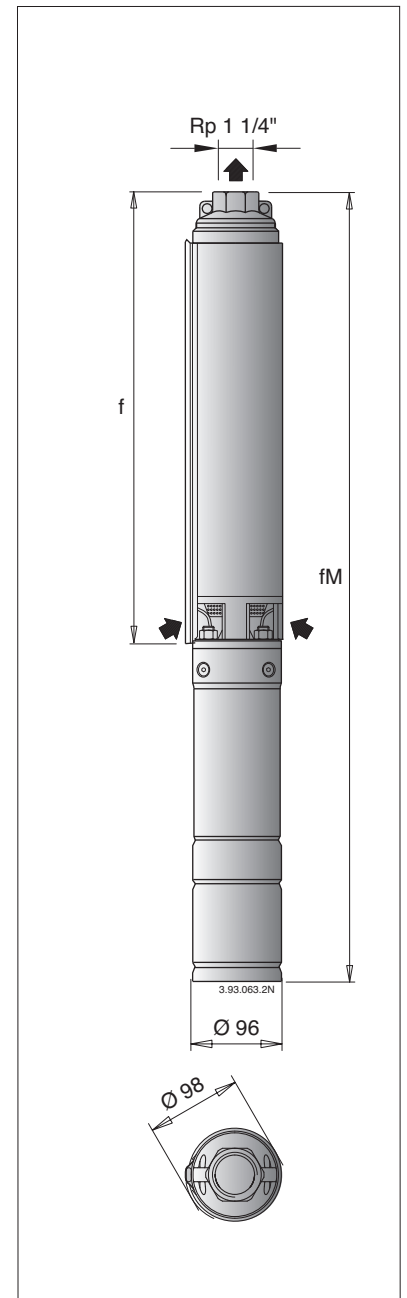
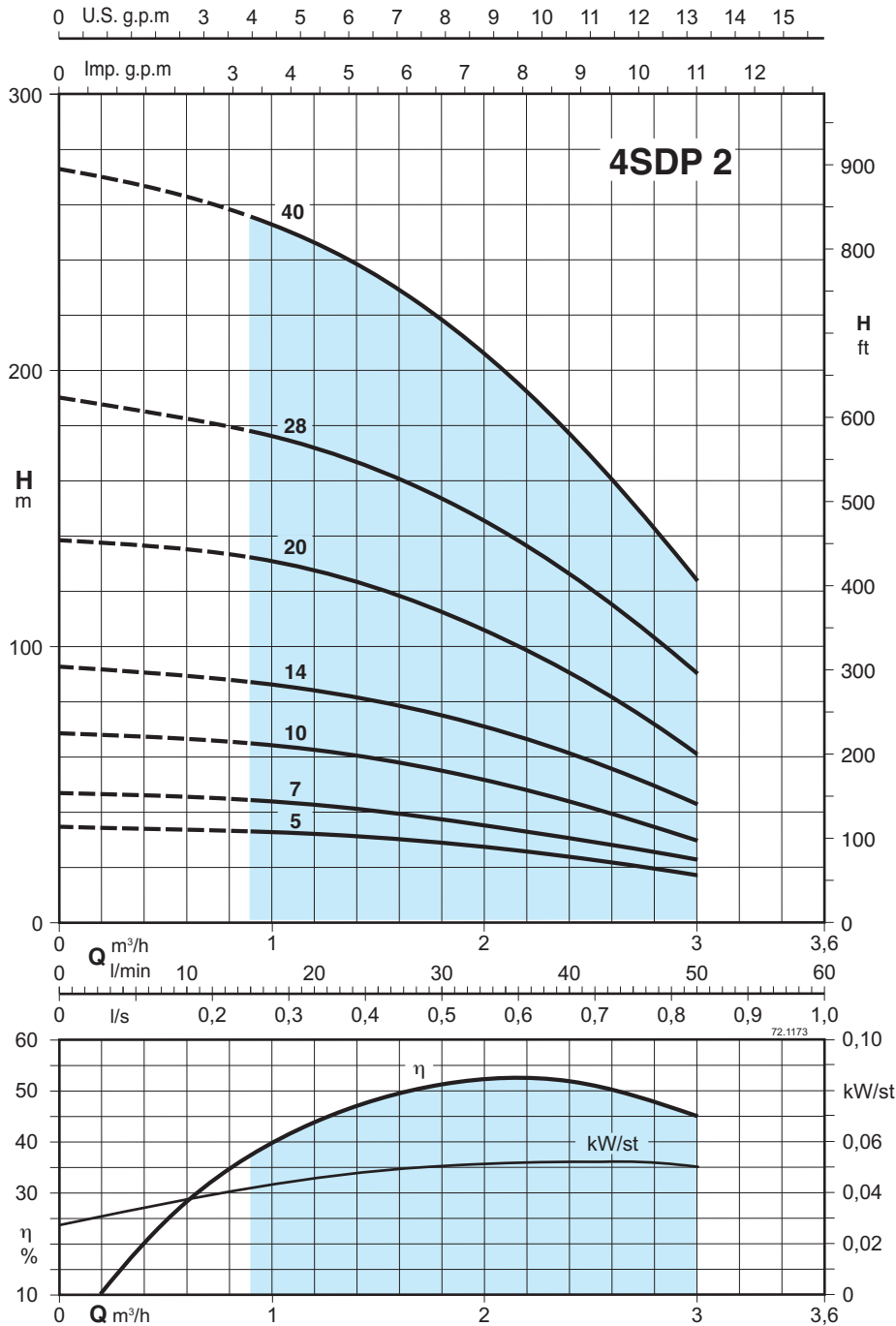
	3~ 400 V (380-415) 50 Hz		1~ 230V		Capacitor P1			P2		Q	n ≈ 2900 rpm														
	A		A	μF	kW	kW	HP	m³/h																	
	A		A	μF	kW	kW	HP	0	0,3		0,6	0,9	1,2	1,5											
4SDP 1/10C	1,2	4SDPM 1/10C	3,2	16	0,71	0,37	0,5	H m	67	63	55	46	33	18											
4SDP 1/13C	1,2	4SDPM 1/13C	3,2	16	0,71	0,37	0,5		86	78	70	56	42	23											
4SDP 1/19C	1,5	4SDPM 1/19C	4	25	0,91	0,55	0,75		126	118	105	86	60	30											
4SDP 1/26C	2,2	4SDPM 1/26C	5,6	30	1,24	0,75	1		173	160	141	117	81	39											
4SDP 1/38C	2,8	4SDPM 1/38C	8	40	1,71	1,1	1,5		253	234	208	169	117	52											

f	4SDP		4SDPM	
	fM	kg	fM	kg
324	651	11	651	10,9
377	704	11,4	704	11,3
481	808	12,4	843	14,1
642	989	14,5	1004	15,2
864	1226	18,7	1266	19,9

P1 Max. power input P2 Rated motor power output \* Only for single-phase motor 230 V - 50 Hz (on request)

Tolerances according to UNI EN ISO 9906:2012

### Characteristic curves, performance $n \approx 2900$ rpm, dimensions and weights



3~	400 V (380-415) 50 Hz	1~	230V Capacitor P1			P2			Q	n $\approx$ 2900 rpm											
			A	$\mu$ F	kW	kW	HP	m³/h		0	0,9	1,2	1,5	1,8	2,1	2,4	2,7	3			
4SDP 2/5C	1,2	4SDPM 2/5C	3,2	16	0,71	0,37	0,5	H m	34	32	31	29	27	25	23	19	16				
4SDP 2/7C	1,2	4SDPM 2/7C	3,2	16	0,71	0,37	0,5		46	43	42	39	36	33	29	26	22				
4SDP 2/10C	1,5	4SDPM 2/10C	4	25	0,91	0,55	0,75		67	64	61	58	54	49	43	36	28				
4SDP 2/14C	2,2	4SDPM 2/14C	5,6	30	1,24	0,75	1		92	86	83	79	74	67	60	52	42				
4SDP 2/20C	2,8	4SDPM 2/20C	8	40	1,71	1,1	1,5		139	131	127	120	111	101	90	75	60				
4SDP 2/28C	3,5	4SDPM 2/28C	10,8	60	2,33	1,5	2		190	178	172	163	153	141	126	108	89				
4SDP 2/40C	5,5	4SDPM 2/40C	14,7	70	3,25	2,2	3		273	256	246	234	218	199	177	151	123				

f	4SDP			4SDPM	
	fM	kg		fM	kg
236	563	10,2		563	10,1
271	598	10,5		598	10,4
324	651	11		686	12,7
394	741	12,6		756	13,3
499	861	14,4		901	15,6
680	1082	17,7		1127	19,3
885	1287	21		1402	25

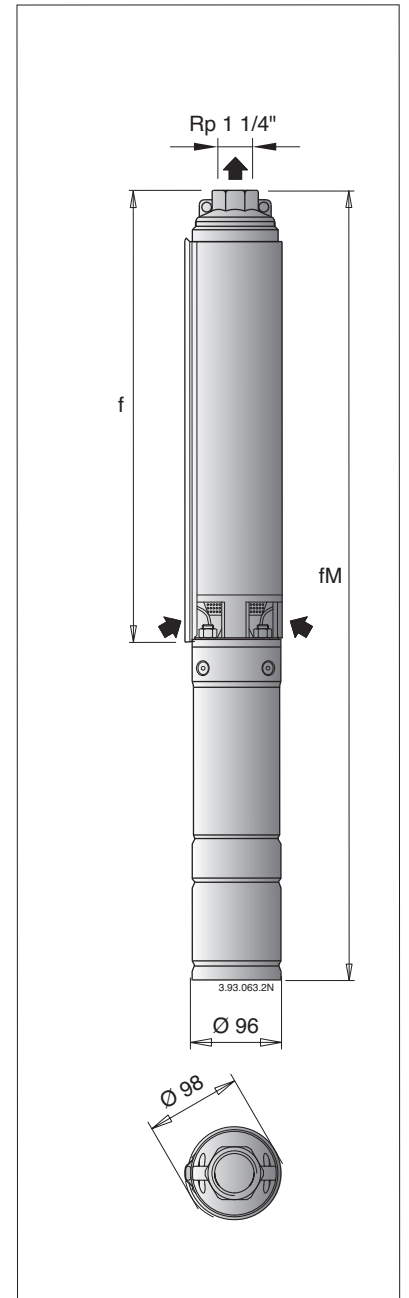
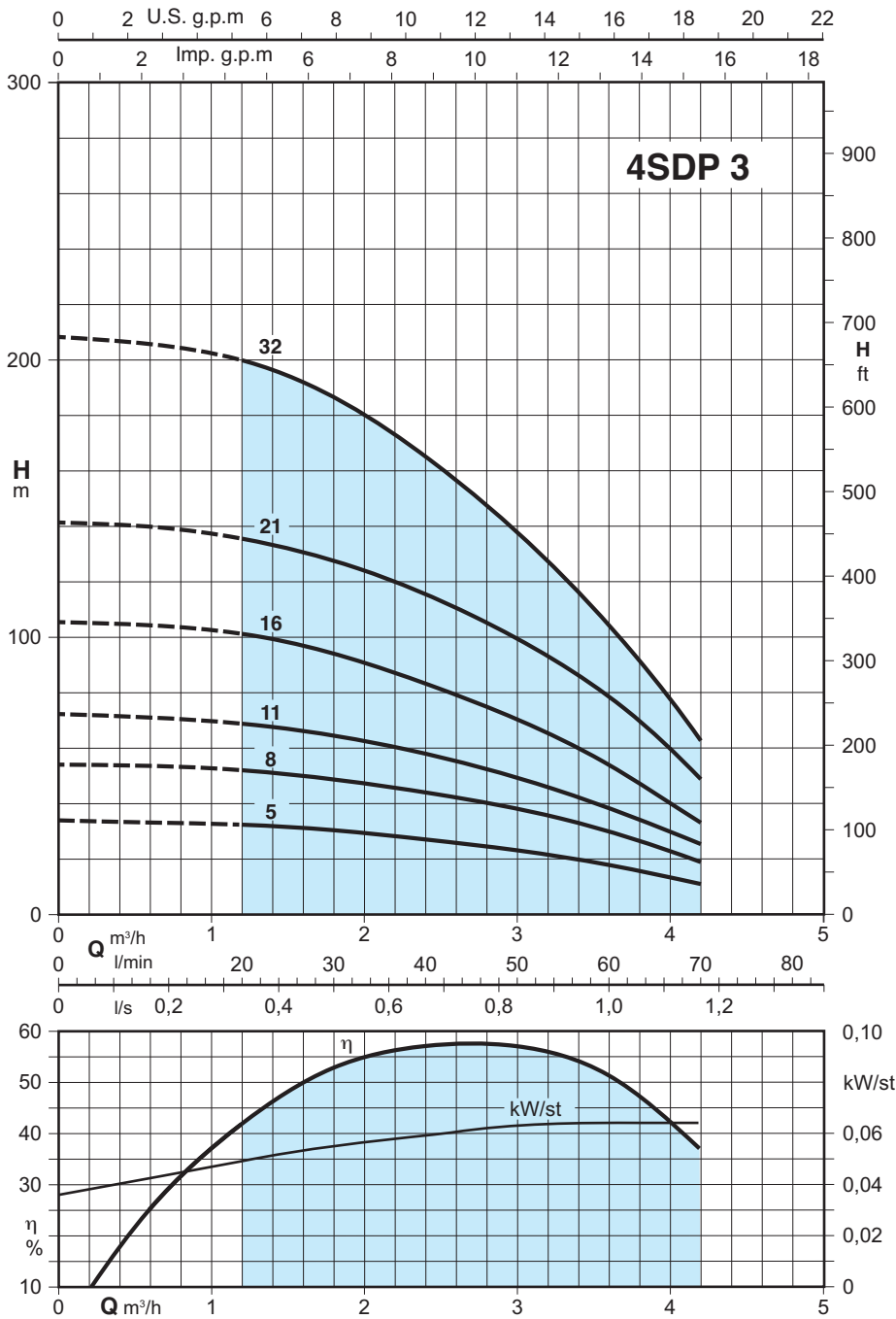
P1 Max. power input

P2 Rated motor power output

\* Only for single-phase motor 230 V - 50 Hz (on request)

Tolerances according to UNI EN ISO 9906:2012

Characteristic curves, performance  $n \approx 2900$  rpm, dimensions and weights



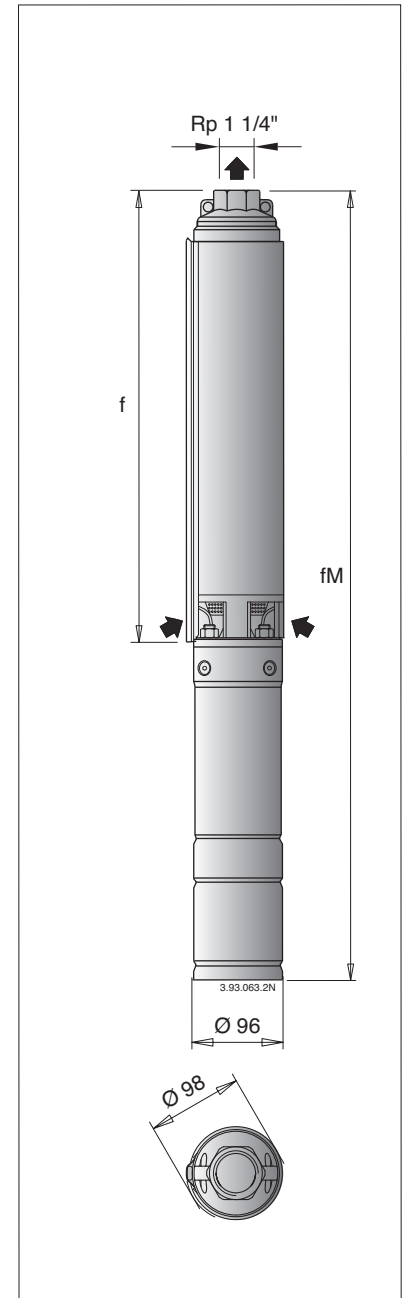
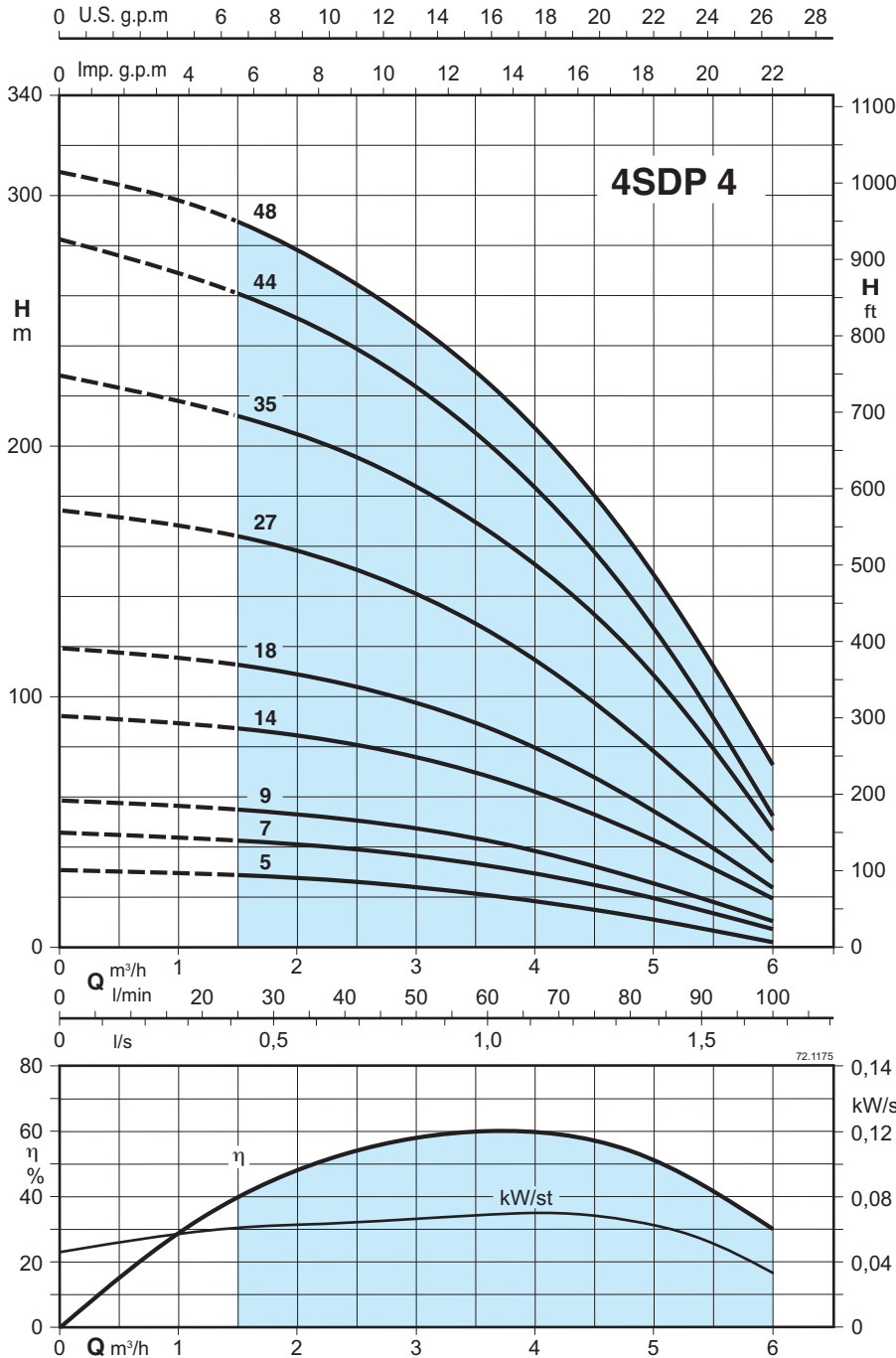
3~	400 V (380-415) 50 Hz A	1~	230V Capacitor P1 * 450 Vc			P2		Q m³/h l/min	n ≈ 2900 rpm										
			A	µF	kW	kW	HP		0	1,2	1,5	1,8	2,1	2,4	2,7	3	3,6	4,2	
4SDP 3/5C	1,2	4SDPM 3/5C	3,2	16	0,71	0,37	0,5	H m	34	32	31	30	29	27	25	23	18	11	
4SDP 3/8C	1,5	4SDPM 3/8C	4	25	0,91	0,55	0,75		54	51	50	49	46	43	41	38	30	19	
4SDP 3/11C	2,2	4SDPM 3/11C	5,6	30	1,24	0,75	1		72	68	66	64	61	58	54	49	38	26	
4SDP 3/16C	2,8	4SDPM 3/16C	8	40	1,71	1,1	1,5		106	101	98	95	89	83	77	70	54	33	
4SDP 3/21C	3,7	4SDPM 3/21C	10,8	60	2,33	1,5	2		142	135	132	127	122	115	108	100	79	49	
4SDP 3/32C	5,5	4SDPM 3/32C	14,7	70	3,25	2,2	3		208	200	194	187	177	165	152	138	104	62	

f	4SDP		4SDPM	
	fM	kg	fM	kg
236	563	10,2	563	10,1
289	616	10,6	651	12,3
342	689	12,1	704	12,8
430	792	13,7	832	14,9
519	921	15,8	966	17,4
787	1189	19,8	1304	23,8

P1 Max. power input P2 Rated motor power output \* Only for single-phase motor 230 V - 50 Hz (on request)

Tolerances according to UNI EN ISO 9906:2012

**Characteristic curves, performance  $n \approx 2900$  rpm, dimensions and weights**



	3~ 400 V (380-415) 50 Hz A	1~	230V Capacitor P1			P2			Q m³/h l/min	n ≈ 2900 rpm												
			450 Vc			kW	kW	HP		H m												
			A	μF	kW					0	1,5	1,8	2,1	2,4	3	3,6	4,2	4,8	6			
4SDP 4/5C	1,2	4SDPM 4/5C	3,2	16	0,71	0,37	0,5	33	29	28	27	26	24	21	18	13	3	257	584	10,4	584	10,3
4SDP 4/7C	1,5	4SDPM 4/7C	4	25	0,91	0,55	0,75	46	43	42	41	39	36	33	28	22	7	301	628	10,7	663	12,4
4SDP 4/9C	2,2	4SDPM 4/9C	5,6	30	1,24	0,75	1	59	55	54	52	51	47	43	37	28	10	344	691	12	706	12,7
4SDP 4/14C	2,8	4SDPM 4/14C	8	40	1,71	1,1	1,5	93	87	86	83	81	76	68	58	47	20	452	814	13,6	854	14,8
4SDP 4/18C	3,7	4SDPM 4/18C	10,8	60	2,33	1,5	2	120	113	111	108	105	98	88	75	60	25	538	940	15,5	985	17,1
4SDP 4/27C	5,5	4SDPM 4/27C	14,7	70	3,25	2,2	3	175	164	161	157	152	141	127	109	87	35	805	1207	18,9	1322	22,9
4SDP 4/35C	7,4					3	4	228	212	208	203	197	184	166	145	119	46	972	1453	23,8		
4SDP 4/44C	9,4					4	5,5	282	261	255	249	241	223	201	173	140	52	1166	1712	28,5		
4SDP 4/48C	9,4					4	5,5	309	289	283	276	267	248	225	197	162	73	1291	1837	29,1		

P1 Max. power input P2 Rated motor power output \* Only for single-phase motor 230 V - 50 Hz (on request)

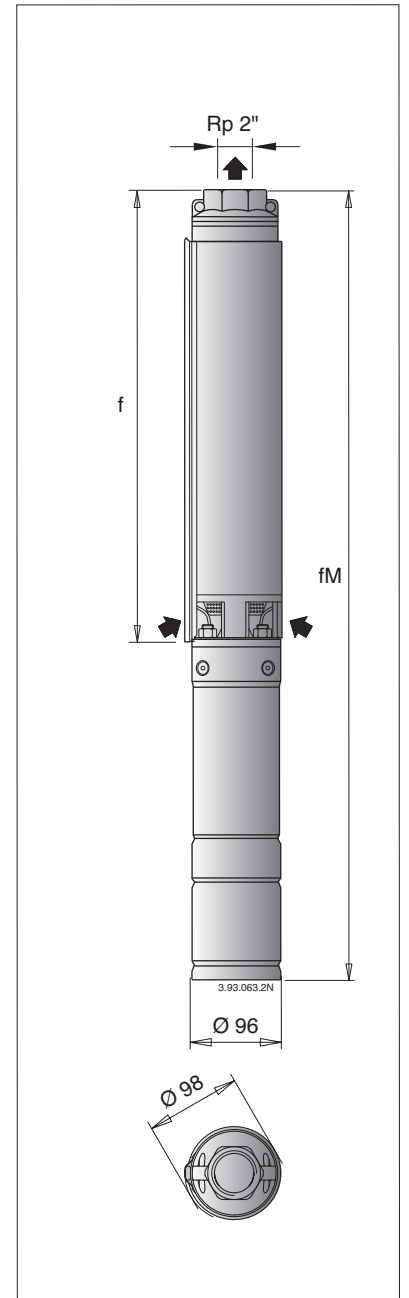
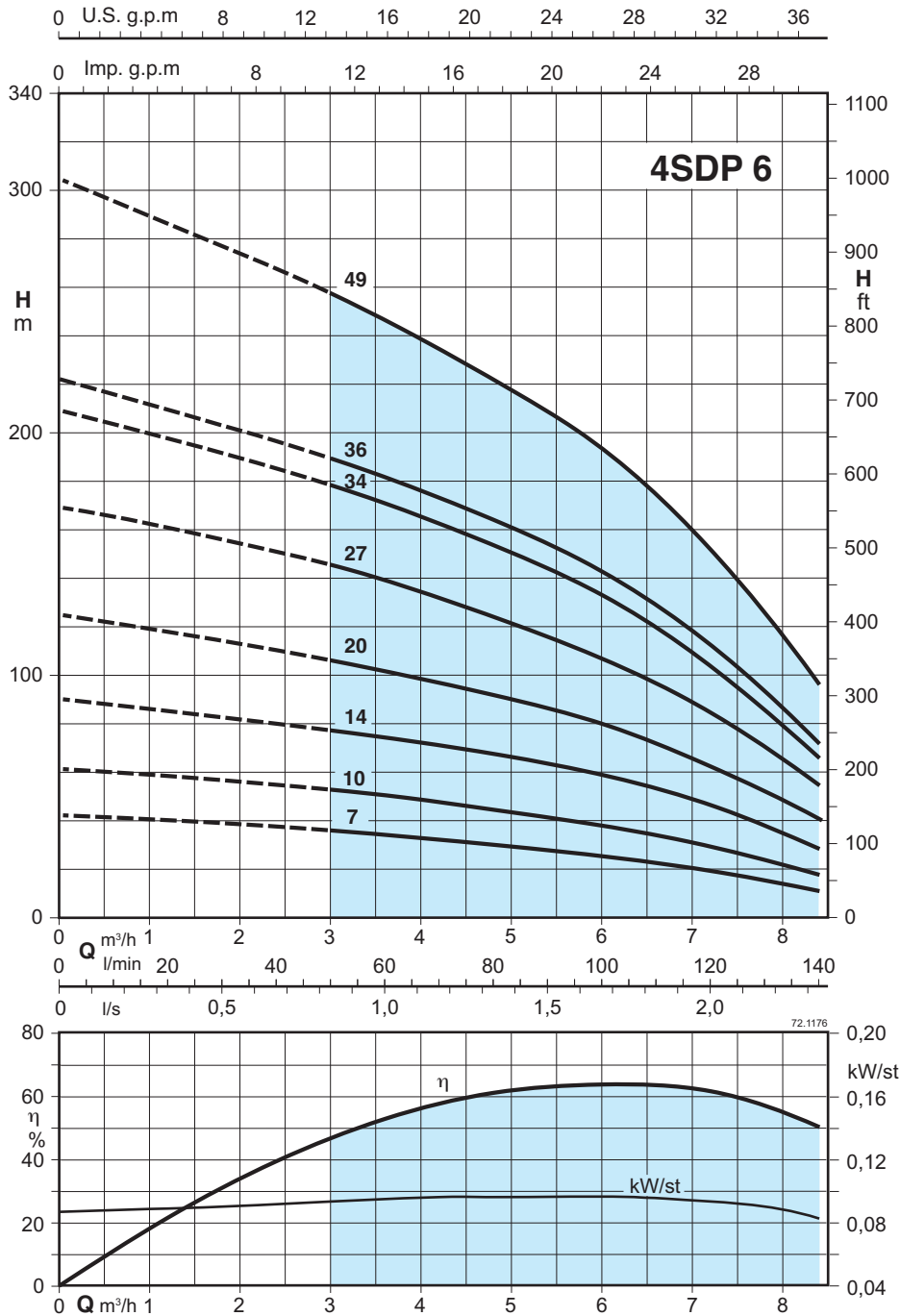
Tolerances according to UNI EN ISO 9906:2012

# 4SDP 6

Submersible borehole pumps for 4" wells



## Characteristic curves, performance $n \approx 2900$ rpm, dimensions and weights



	3~ 400 V (380-415) 50 Hz		1~ 230V Capacitor P <sub>1</sub>		P <sub>2</sub>		Q	n ≈ 2900 rpm															
	A		450 Vc		kW	HP		H m															
	A	μF	μF	kW				0	3	3,6	4,2	4,8	5,4	6	7,2	8,4							
4SDP 6/7C	2,2	4SDPM 6/7C	5,6	30	1,24	0,75	1	42	36	34	32	30	28	25	19	11							
4SDP 6/10C	2,8	4SDPM 6/10C	8	40	1,71	1,1	1,5	62	53	51	48	45	41	38	29	18							
4SDP 6/14C	3,7	4SDPM 6/14C	10,8	60	2,33	1,5	2	90	77	74	71	68	63	59	46	28							
4SDP 6/20C	5,5	4SDPM 6/20C	14,7	70	3,25	2,2	3	125	107	102	97	92	86	80	62	40							
4SDP 6/27C	7,4						3	4	169	145	139	131	123	115	107	84	55						
4SDP 6/34C	9,4						4	5,5	208	178	170	162	153	143	132	103	66						
4SDP 6/36C	9,4						4	5,5	221	190	181	173	164	154	143	112	72						
4SDP 6/49C	13						5,5	7,5	302	257	246	234	222	209	193	151	96						

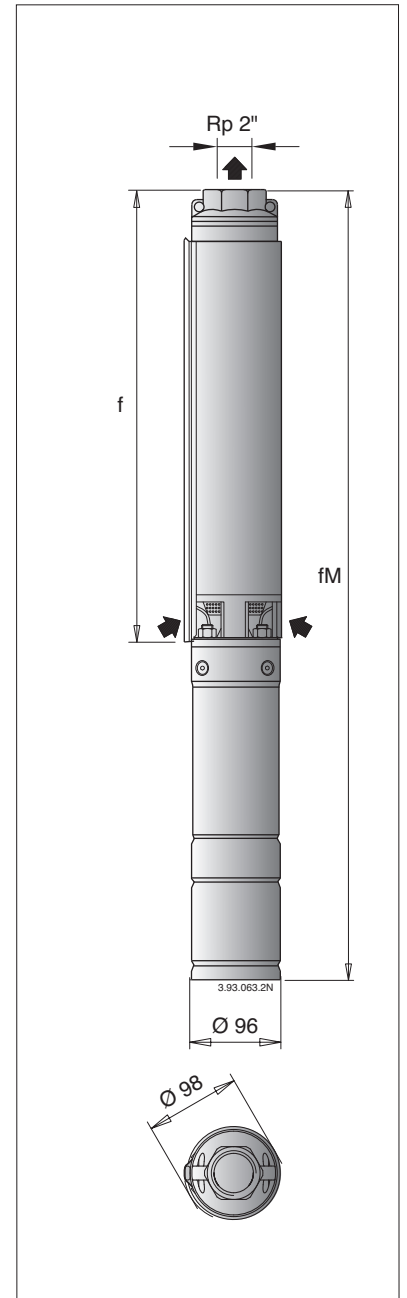
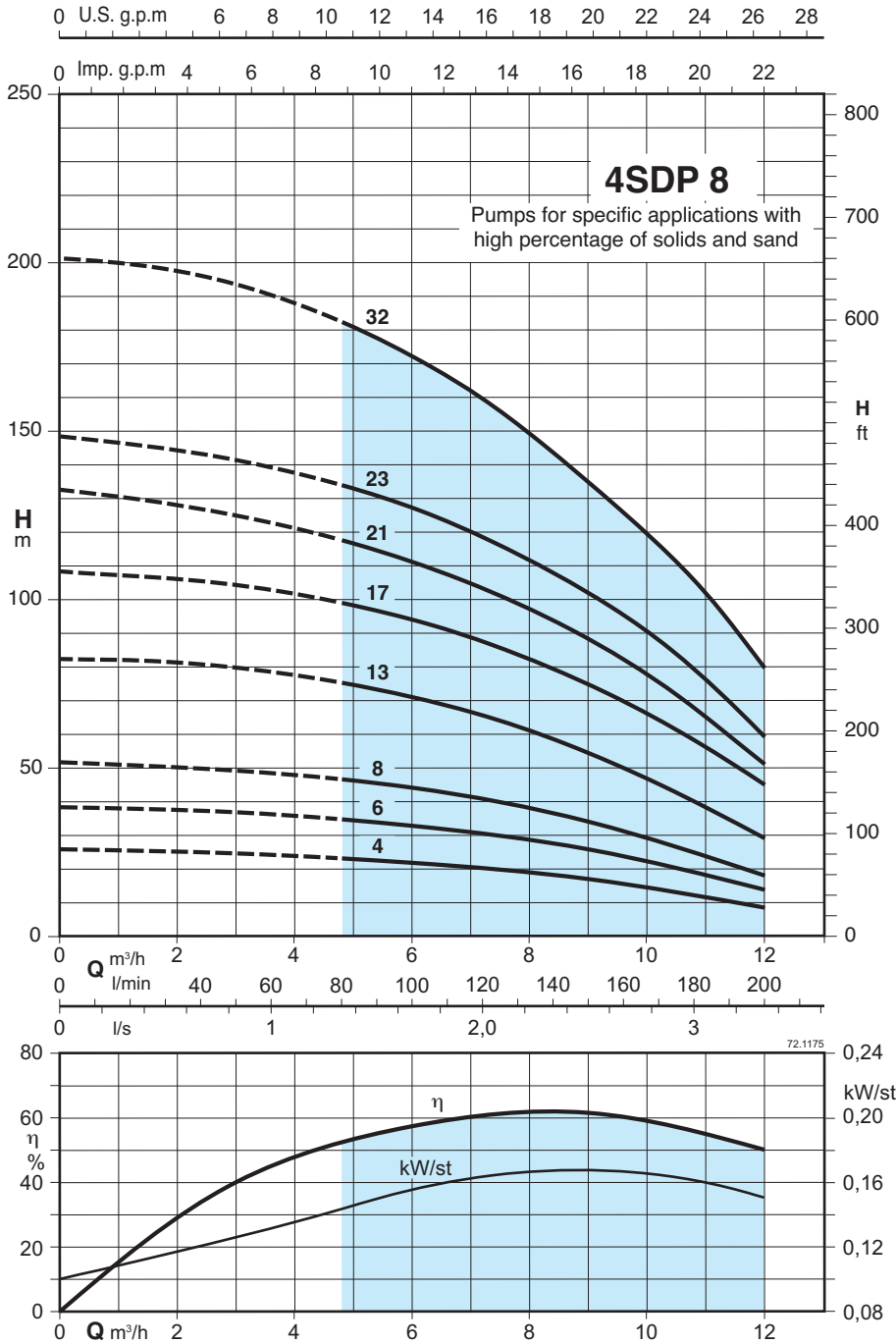
f	4SDP			4SDPM	
	fM	kg	fM	kg	
390	737	12,4	752	13,1	
483	845	14,1	885	15,3	
607	1009	16,5	1054	18,1	
831	1233	19,2	1348	23,2	
1086	1567	25,5			
1295	1841	30,8			
1356	1902	31,4			
1840	2486	39,9			

P<sub>1</sub> Max. power input P<sub>2</sub> Rated motor power output \* Only for single-phase motor 230 V - 50 Hz (on request)

Tolerances according to UNI EN ISO 9906:2012



### Characteristic curves, performance $n \approx 2900$ rpm, dimensions and weights



3~	400 V (380-415) 50 Hz A	1~	230V Capacitor P <sub>1</sub>			P <sub>2</sub>			Q m <sup>3</sup> /h l/min	n ≈ 2900 rpm										
			A	μF	kW	kW	HP	0		4,8	5,4	6	7,2	8,4	9,6	10,8	12			
4SDP 8/4C	2,2	4SDPM 8/4C	5,6	30	1,24	0,75	1	H m	26	23	22	21	20	18	16	12	9			
4SDP 8/6C	2,8	4SDPM 8/6C	8	40	1,71	1,1	1,5		38	35	34	33	31	28	24	19	14			
4SDP 8/8C	3,7	4SDPM 8/8C	10,8	60	2,33	1,5	2		52	47	45	44	41	37	31	25	18			
4SDP 8/13C	5,5	4SDPM 8/13C	14,7	70	3,25	2,2	3		82	75	73	71	66	59	50	40	30			
4SDP 8/17C	7,4					3	4		108	98	96	94	87	79	70	58	46			
4SDP 8/21C	9,4					4	5,5		132	117	114	111	103	93	82	68	52			
4SDP 8/23C	9,4					4	5,5		148	134	131	127	118	108	95	79	60			
4SDP 8/32C	13					5,5	7,5		202	182	178	172	160	143	125	105	80			

f mm	4SDP		4SDPM	
	fM mm	kg	fM mm	kg
294	641	11,5	656	12,2
356	718	12,9	758	14,1
418	820	14,8	865	16,4
573	975	17,2	1090	21,2
697	1178	21,5		
859	1405	26		
959	1505	27,6		
1276	1922	35		

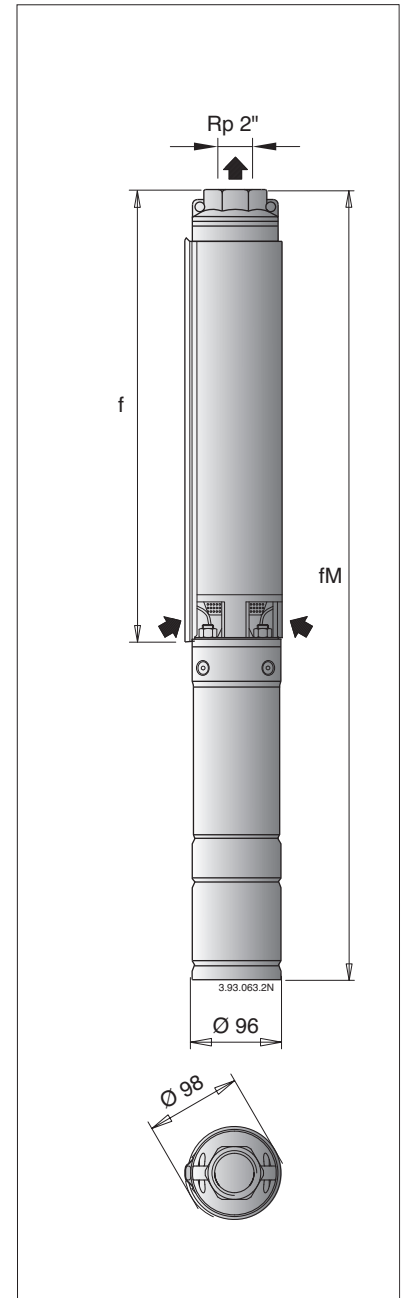
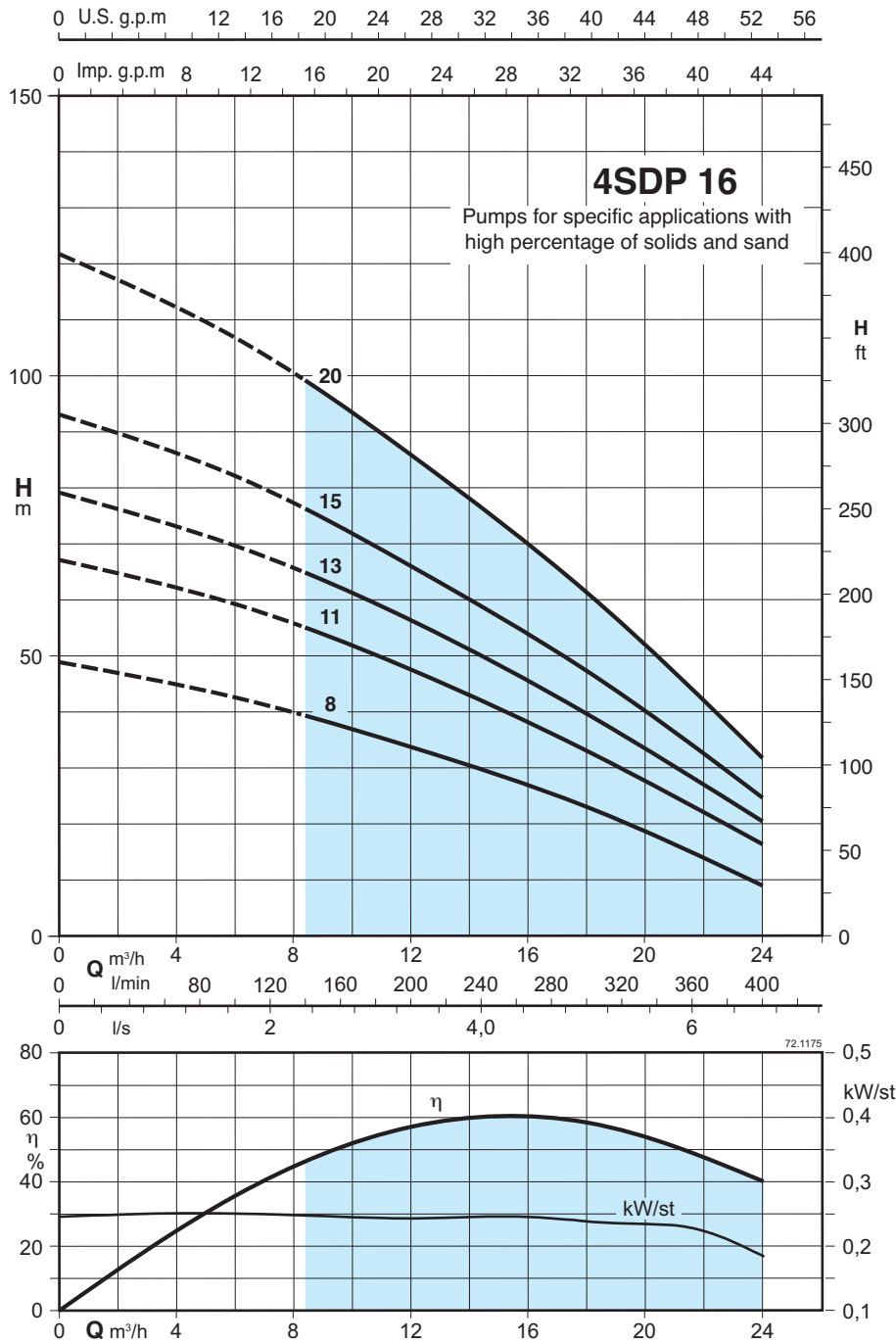
P<sub>1</sub> Max. power input P<sub>2</sub> Rated motor power output \* Only for single-phase motor 230 V - 50 Hz (on request)

Tolerances according to UNI EN ISO 9906:2012

# 4SDP 16 Submersible borehole pumps for 4" wells



## Characteristic curves, performance $n \approx 2900$ rpm, dimensions and weights



	3~ 400 V (380-415) 50 Hz A	1~ 230V Capacitor P1 450 Vc A	* μF	P1 kW	P2			Q m³/h l/min	n ≈ 2900 rpm															
					kW	HP	HP		0	8,4	9,6	10,8	12	13,2	15,6	18	21,6	24						
4SDP 16/8C	5,5	4SDPM 16/8C	14,7	70	3,25	2,2	3	H m	49	39	38	36	34	32	28	23	15	9						
4SDP 16/11C	7,4					3	4		67	55	53	50	48	45	39	33	23	16						
4SDP 16/13C	9,4					4	5,5		79	65	62	59	56	53	47	40	28	20						
4SDP 16/15C	9,4					4	5,5		93	76	73	70	66	62	55	47	34	25						
4SDP 16/20C	13					5,5	7,5		122	99	95	90	86	81	72	61	44	32						

f	4SDP		4SDPM	
	fM	kg	fM	kg
676	1078	18	1193	22
880	1361	23		
1013	1559	27,5		
1149	1695	28,7		
1489	2135	36,5		

P1: Max. power input P2: Rated motor power output \* Only for single-phase motor 230 V - 50 Hz (on request)

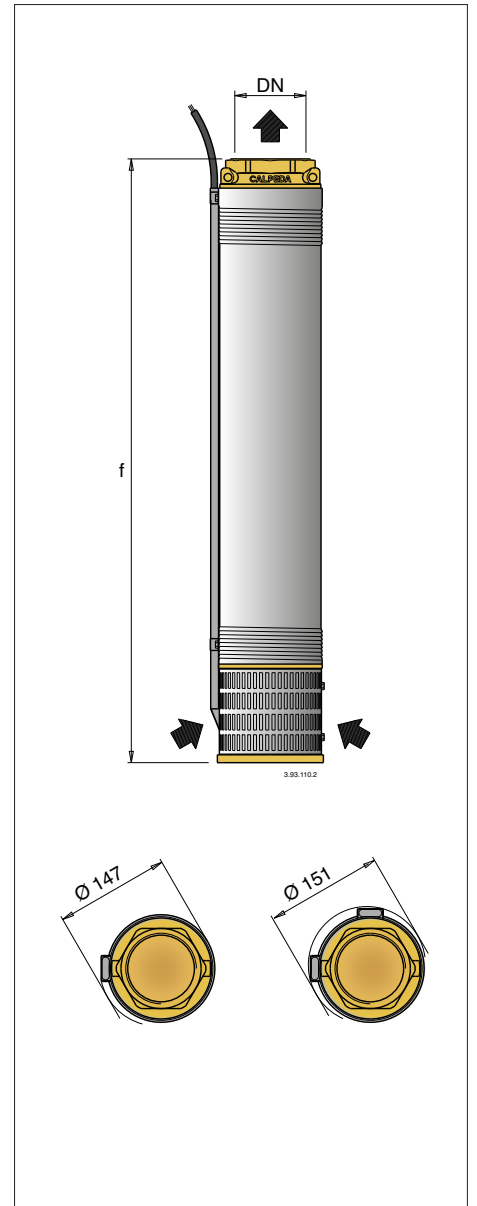
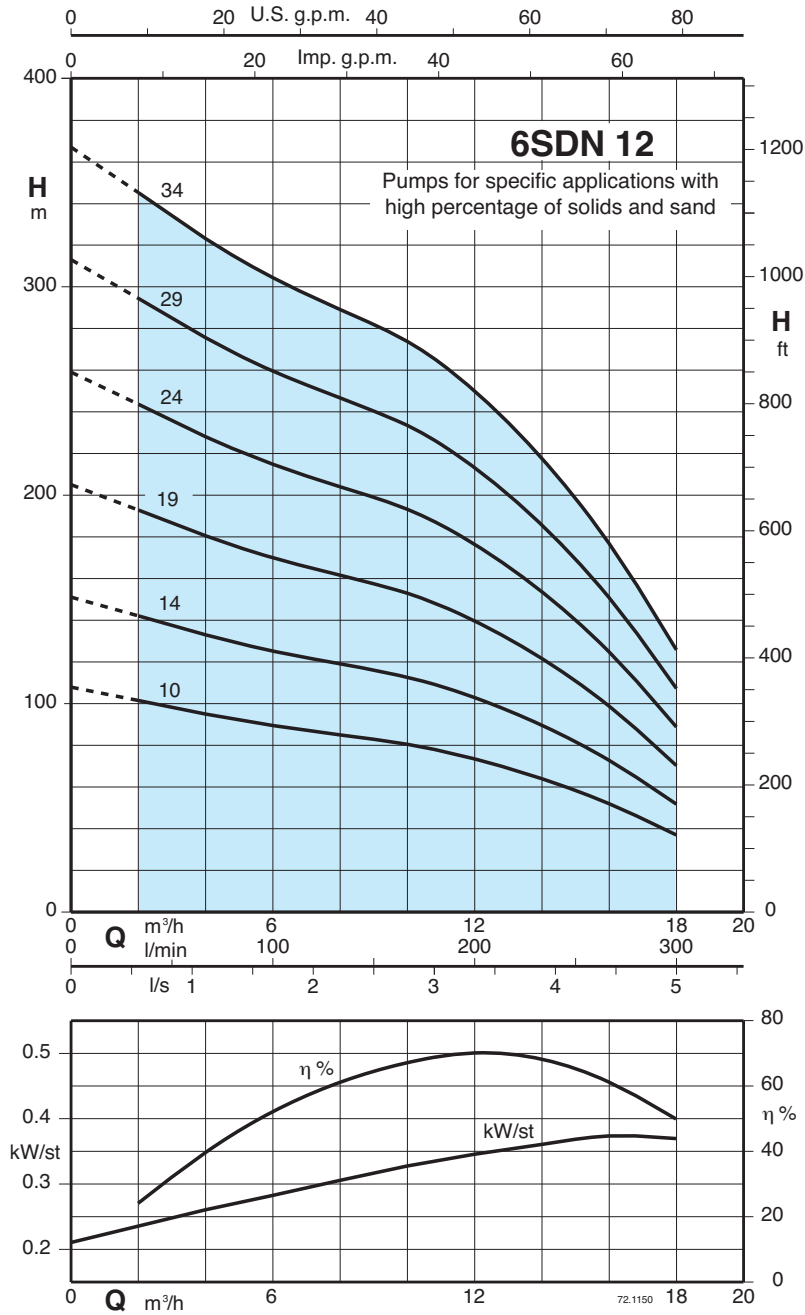
Tolerances according to UNI EN ISO 9906:2012

# 6SDN 12

Submersible borehole pumps for 6" wells



## Characteristic curves, performance $n \approx 2900$ rpm, dimensions and weights



3~	P <sub>2</sub>		Q	n ≈ 2900 rpm												
	kW	HP		m <sup>3</sup> /h	2	4	6	8	10	12	14	16	18			
				l/min	33,3	66,6	100	133,3	166,6	200	233	266	300			
6SDN 12/10	4	5,5	H m	102	95	89,5	85	80,5	73,5	64	52	37				
6SDN 12/14	5,5	7,5		142	133	125	119	113	103	89,5	73	52				
6SDN 12/19	7,5	10		193	181	170	162	153	140	122	99	70,5				
6SDN 12/24	9,2	12,5		244	231	215	204	193	176	154	125	89				
6SDN 12/29	11	15		294	276	260	247	233	213	186	151	107				
6SDN 12/34	13 (15)	17,5 (20)		345	323	304	289	274	250	218	177	126				

DN	f	
	mm	kg
G 3 ISO 228	715	15,5
	870	17,5
	1060	20
	1320	23
	1510	25,7
	1705	28,5

P<sub>2</sub> Rated motor power output

(...) FK motor rated power output

H Total head in m

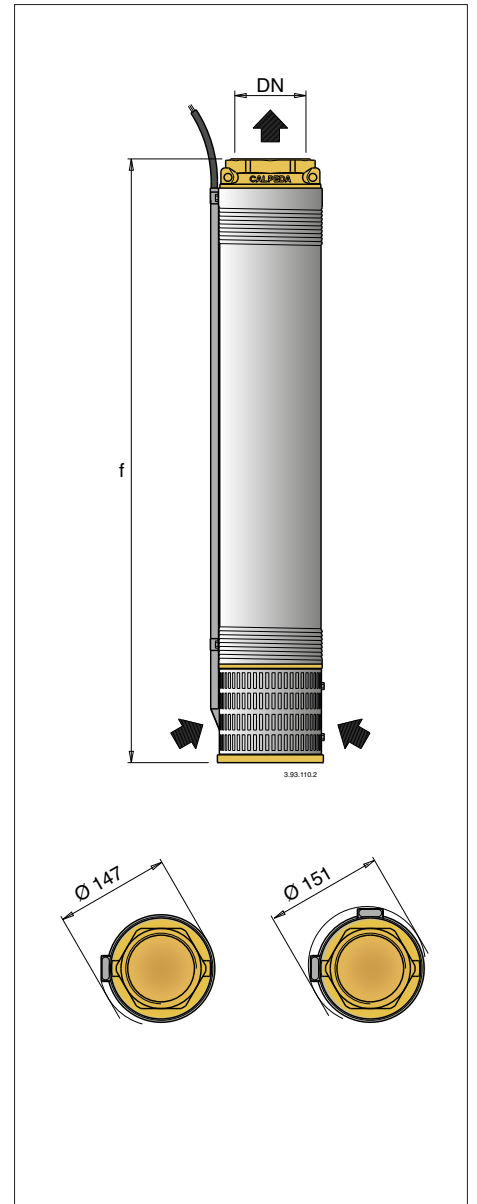
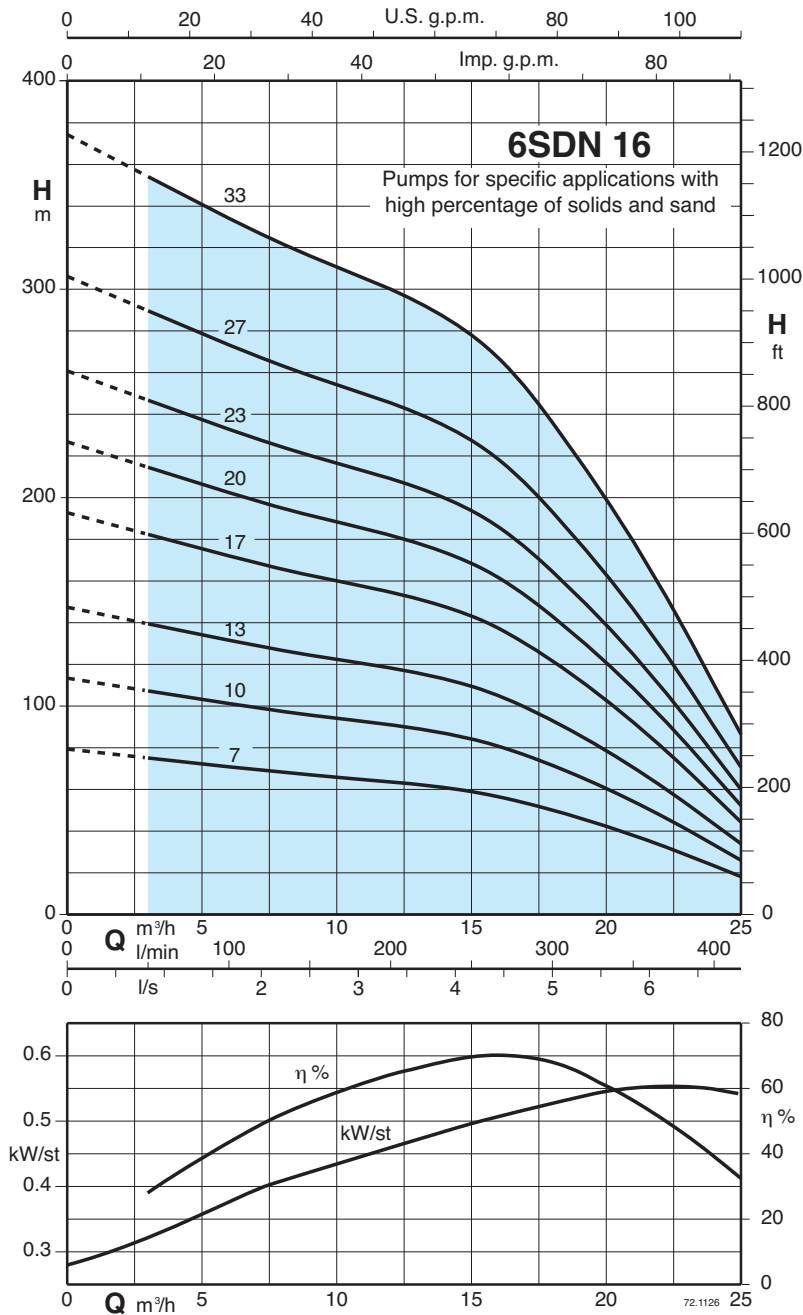
Tolerances according to UNI EN ISO 9906:2012

# 6SDN 16

Submersible borehole pumps for 6" wells



## Characteristic curves, performance $n \approx 2900$ rpm, dimensions and weights



3~	P <sub>2</sub>		Q	n ≈ 2900 rpm										
				m³/h										
	kW	HP	3	6	9	12	15	18	21	25				
6SDN 16/7	4	5,5	75	71	67	63,5	59	50	38	18,5				
6SDN 16/10	5,5	7,5	107	101	96	91	84	71,5	54,5	26				
6SDN 16/13	7,5	10	139	132	124	118	110	93	70,5	34				
6SDN 16/17	9,2	12,5	182	172	163	155	143	122	92,5	44,5				
6SDN 16/20	11	15	215	202	192	182	168	143	109	52,5				
6SDN 16/23	13 (15)	17,5 (20)	247	233	220	209	194	165	125	60				
6SDN 16/27	15	20	290	273	259	245	227	193	147	71				
6SDN 16/33	18,5	25	354	334	316	300	278	236	179	86,5				

DN	f	
	mm	kg
G 3 ISO 228	600	14
	715	15,5
	830	17
	985	19
	1100	20,5
	1285	22,5
	1435	24,6
1665	28	

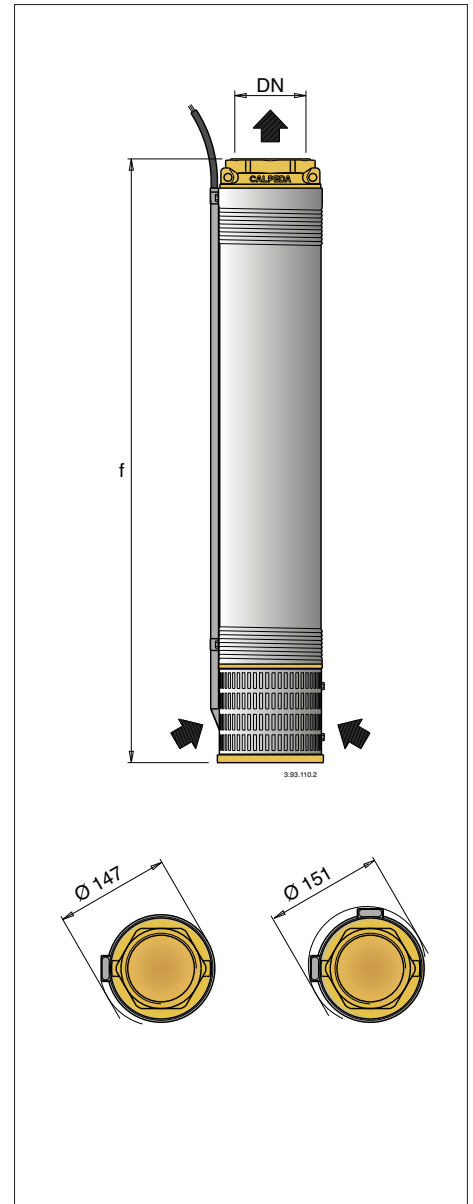
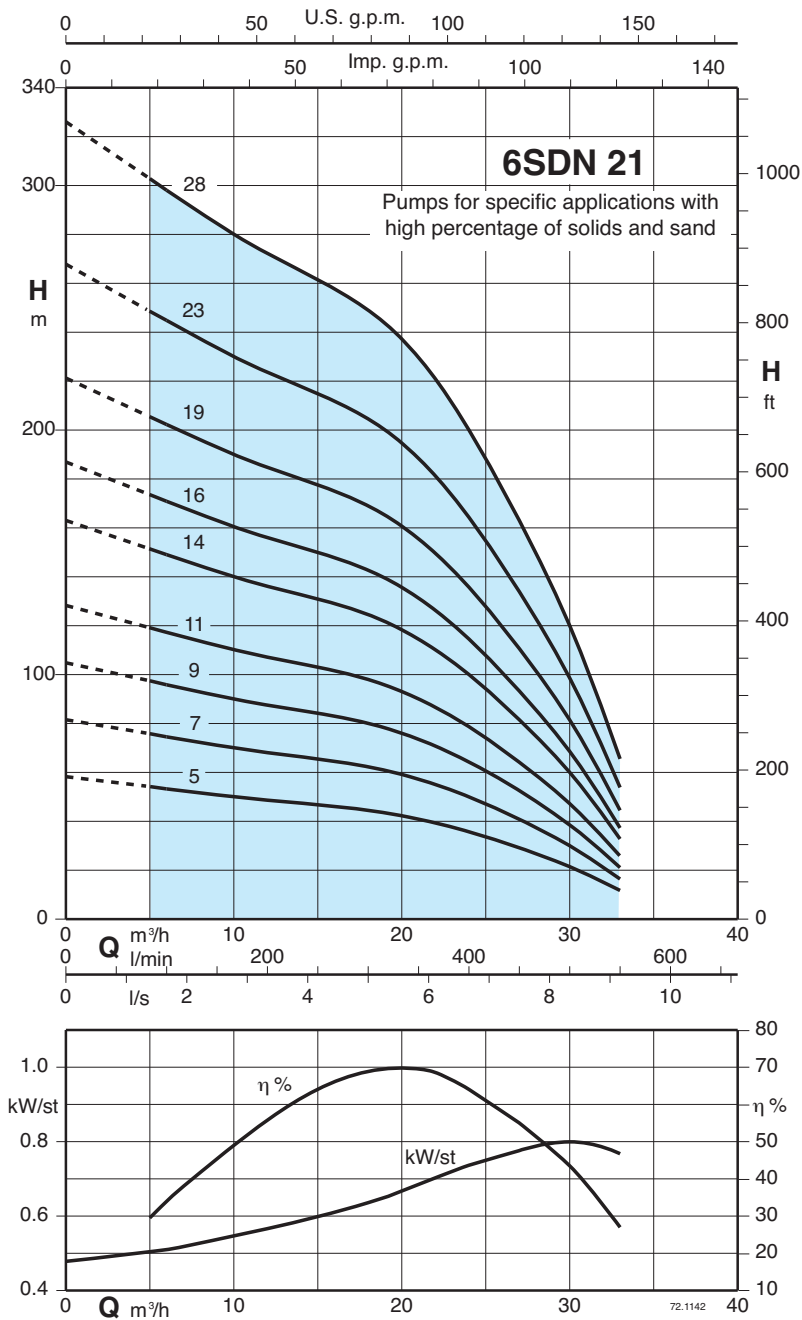
P<sub>2</sub> Rated motor power output

(...) FK motor rated power output

H Total head in m

Tolerances according to UNI EN ISO 9906:2012

## Characteristic curves, performance $n \approx 2900$ rpm, dimensions and weights



3~	P <sub>2</sub>		Q	n $\approx$ 2900 rpm											
	kW	HP		H											
				m³/h	5	9	12	15	18	21	24	27	30	33	
			l/min	83,3	150	200	250	300	350	400	450	500	550		
6SDN 21/5	4	5,5		54	51	48,5	46,5	45	41,5	36	29	21,5	11,5		
6SDN 21/7	5,5	7,5		75,5	71,5	68	65	62,5	58	50	41	30	16		
6SDN 21/9	7,5	10		97	92	87,5	83,5	80,5	74,5	64,5	53	38,5	21		
6SDN 21/11	9,2	12,5		119	112	107	102	99	91	79	64	47	25,5		
6SDN 21/14	11	15		151	143	136	130	125	116	100	81,5	60	32,5		
6SDN 21/16	13 (15)	17,5 (20)		173	163	155	149	143	132	114	93	69	37		
6SDN 21/19	15	20		205	194	185	176	170	157	136	111	81,5	44		
6SDN 21/23	18,5	25		249	235	224	213	206	190	164	134	99	53		
6SDN 21/28	22	30		303	286	272	260	251	231	200	163	120	64,5		

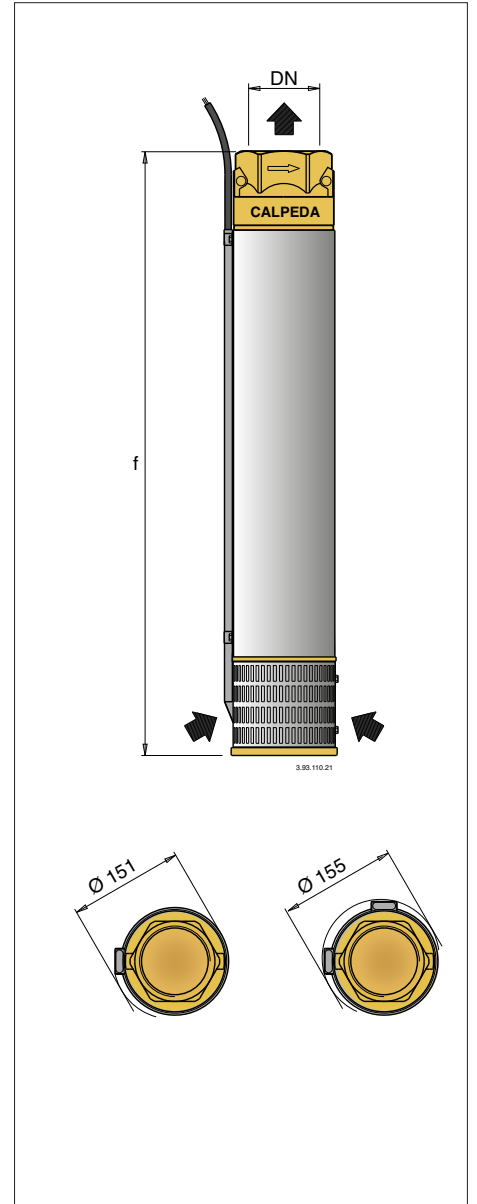
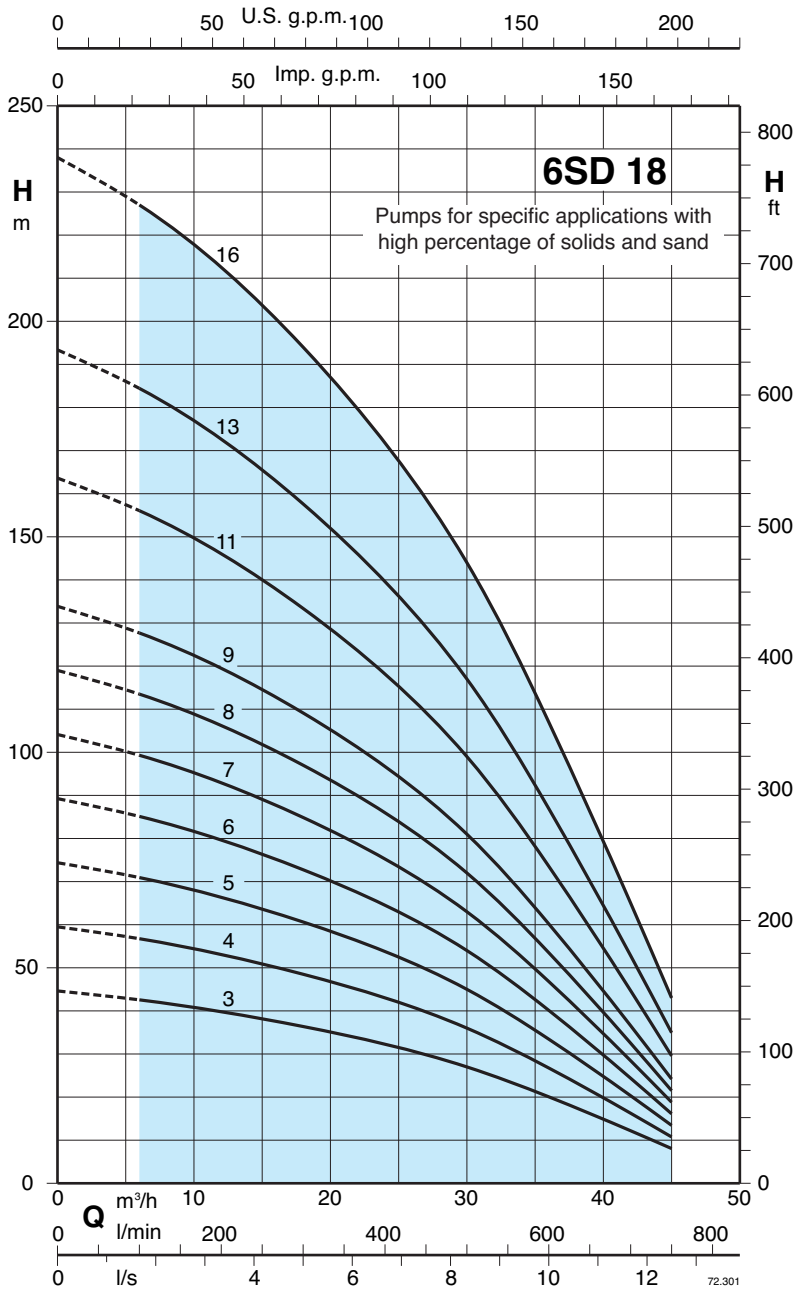
DN	f	kg
G 3 ISO 228	565	13,3
	660	14,5
	755	15,7
	850	16,9
	990	18,7
	1085	19,9
	1225	21,7
	1480	24,5
	1710	27,5

# 6SD 18

Submersible borehole pumps for 6" wells



## Characteristic curves, performance $n \approx 2900$ rpm, dimensions and weights



3~	P <sub>2</sub>		Q	n ≈ 2900 rpm												
	kW	HP		H												
			l/min	6	12	18	24	30	36	42	45					
6SD 18/3	4	5,5	42	39	36	32	27	20	12	8						
6SD 18/4	5,5	7,5	56	53	48	43	36	27	16	11						
6SD 18/5	7,5	10	70	66	60	53	45	34	21	13						
6SD 18/6	9,2	12,5	85	79	72	64	54	40	25	16						
6SD 18/7	9,2	12,5	100	93	84	75	63	46	28	19						
6SD 18/8	11	15	113	105	96	86	72	54	32	21						
6SD 18/9	13 (15)	17,5 (20)	127	119	108	96	81	60	37	24						
6SD 18/11	15	20	156	145	132	118	99	74	45	30						
6SD 18/13	18,5	25	184	172	157	139	117	87	52	35						
6SD 18/16	22	30	227	213	194	172	144	107	65	43						

DN	f	
	mm	kg
G 3 ISO 228	647	20,5
	756	23
	865	25
	974	27
	1083	29,5
	1192	32
	1301	34,5
	1519	39,5
	1737	43
	2064	50,2

P<sub>2</sub> Rated motor power output

(...) FK motor rated power output

H Total head in m

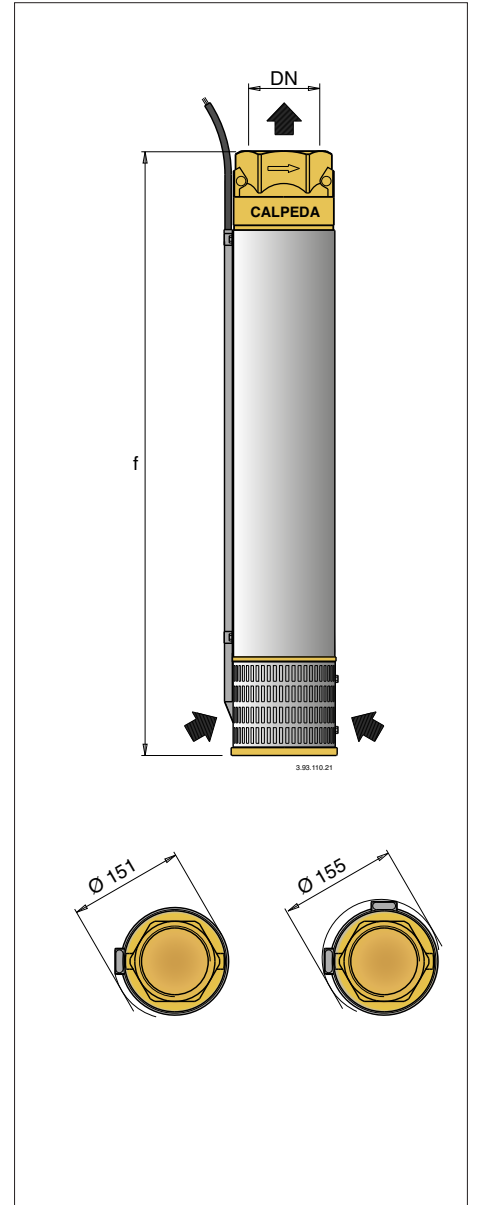
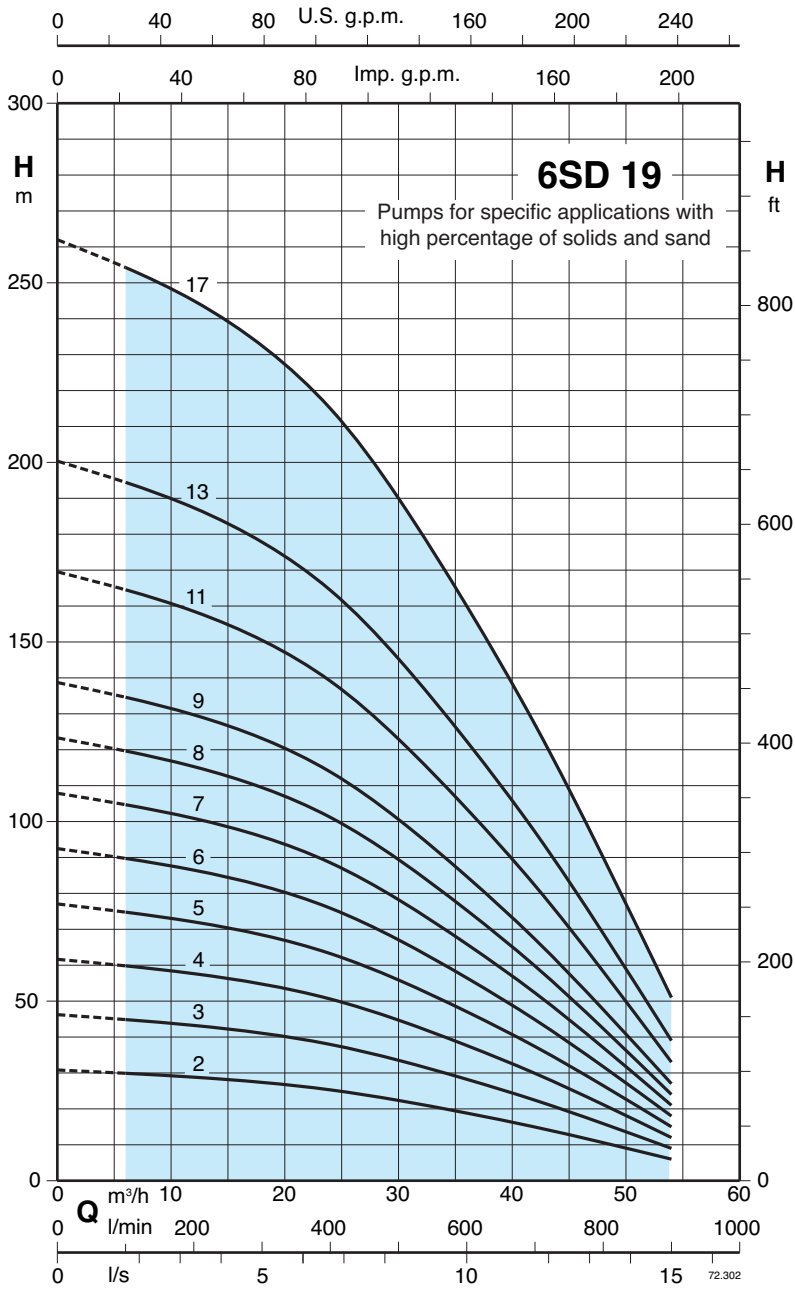
Tolerances according to UNI EN ISO 9906:2012

# 6SD 19

Submersible borehole pumps for 6" wells



## Characteristic curves, performance $n \approx 2900$ rpm, dimensions and weights



3~	P <sub>2</sub>		Q	n ≈ 2900 rpm													
	kW	HP		m³/h	H												
					6	12	18	24	30	36	42	48	54				
6SD 19/2	4	5,5	30	29	27	25	22	19	15	10	6						
6SD 19/3	5,5	7,5	45	43	41	38	33	29	23	15	9						
6SD 19/4	7,5	10	60	57	55	50	45	38	30	21	12						
6SD 19/5	9,2	12,5	75	72	69	63	56	47	38	26	15						
6SD 19/6	11	15	90	86	82	75	67	56	45	31	18						
6SD 19/7	13 (15)	17,5 (20)	105	100	96	88	79	66	53	37	21						
6SD 19/8	15	20	120	115	110	101	89	75	60	42	24						
6SD 19/9	15	20	135	130	123	114	100	85	68	47	27						
6SD 19/11	18,5	25	165	158	151	139	123	104	83	58	33						
6SD 19/13	22	30	195	188	179	164	145	122	98	69	39						
6SD 19/17	30	40	255	245	234	215	190	160	127	90	51						

DN	f	kg
G 3 ISO 228	538	18
	647	20,5
	756	23
	865	25
	974	27
	1083	29,5
	1192	32
	1301	34,5
	1519	39,5
	1737	43
2173	53	

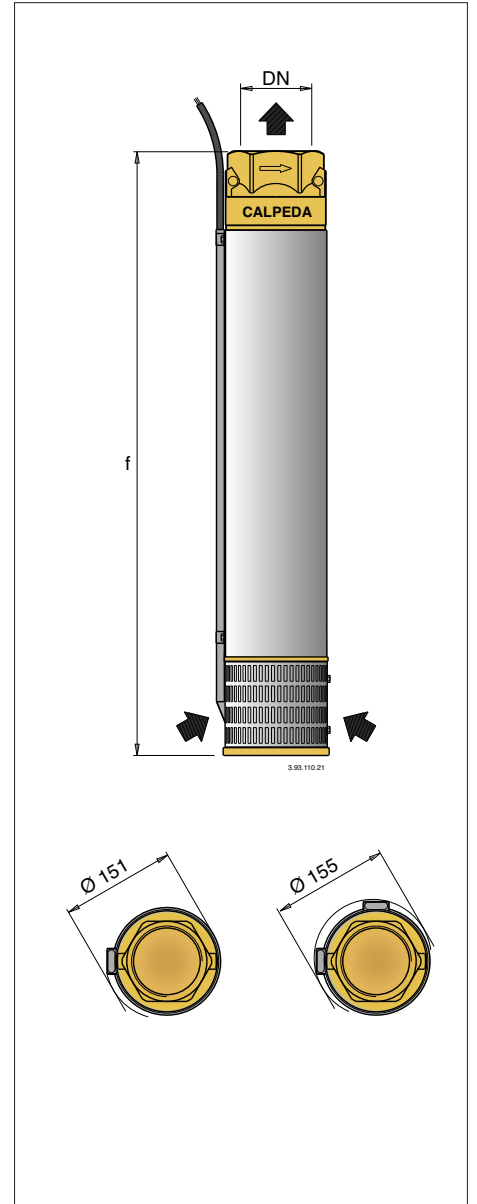
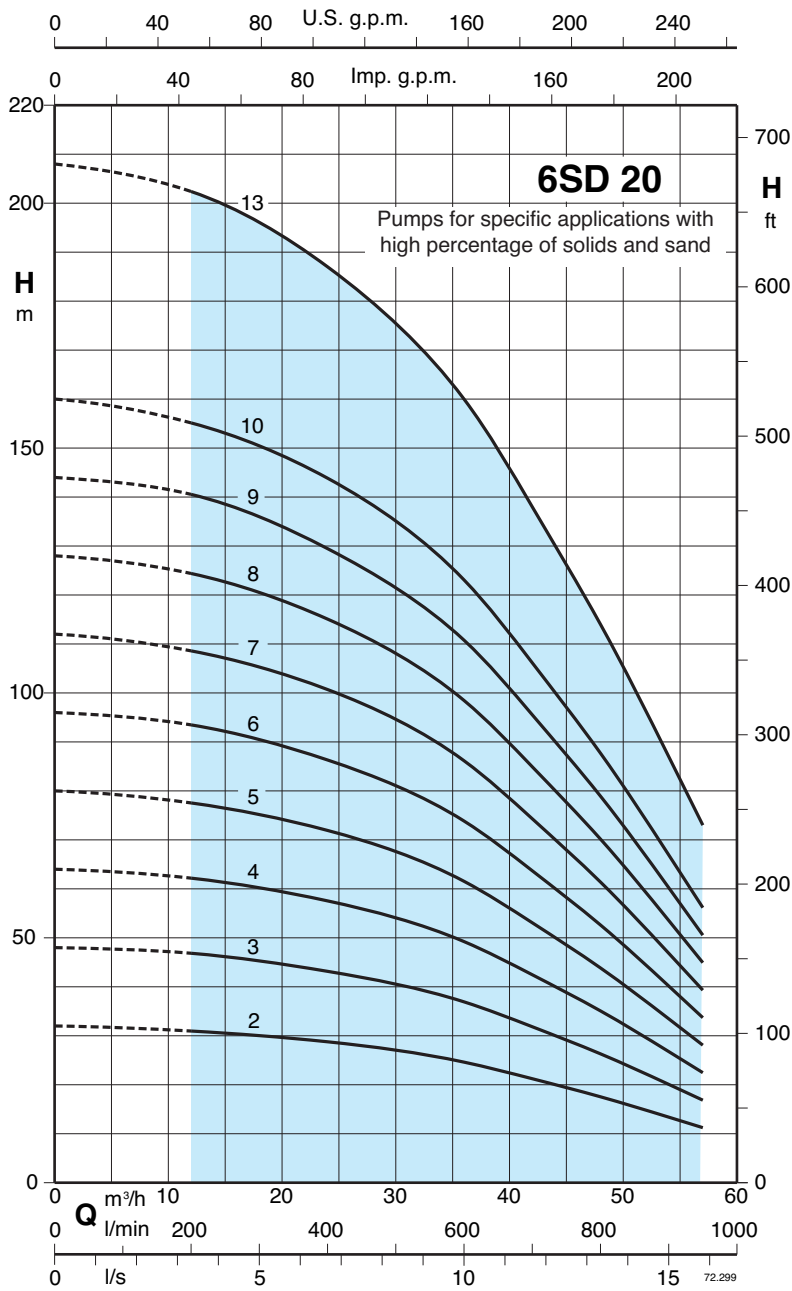
P<sub>2</sub> Rated motor power output

(...) FK motor rated power output

H Total head in m

Tolerances according to UNI EN ISO 9906:2012

**Characteristic curves, performance  $n \approx 2900$  rpm, dimensions and weights**



3~	P <sub>2</sub>		Q	n ≈ 2900 rpm													
	kW	HP		H													
				m													
6SD 20/2	5,5	7,5	31	30	29	28	24	21	17	13	11						
6SD 20/3	7,5	10	46	45	44	42	37	32	26	20	17						
6SD 20/4	9,2	12,5	62	60	58	55	49	42	35	26	22						
6SD 20/5	11	15	77	76	73	68	61	53	44	33	28						
6SD 20/6	13 (15)	17,5 (20)	93	91	87	83	73	63	53	40	34						
6SD 20/7	15	20	108	106	102	96	86	74	61	47	39						
6SD 20/8	18,5	25	124	120	115	110	99	85	70	53	45						
6SD 20/9	18,5	25	140	136	130	124	111	96	79	60	51						
6SD 20/10	22	30	155	151	144	138	123	106	88	67	56						
6SD 20/13	30	40	202	196	188	179	160	138	114	87	73						

DN	f	
	mm	kg
G 3 ISO 228	538	18
	647	20,5
	756	23
	865	25
	974	27
	1083	29,5
	1192	32
	1301	34,5
	1410	36,2
	1737	44,4

P<sub>2</sub> Rated motor power output

(...) FK motor rated power output

H Total head in m

Tolerances according to UNI EN ISO 9906:2012







The electropumps 6SDX, 6SDXL series comply with the European Regulation no. 547/2012.

## Materials

Components	6SDX	6SDXL	8SDX	8SDXL
External jacket	Cr-Ni steel AISI 304	Cr-Ni-Mo steel AISI 316L	Cr-Ni steel AISI 304	Cr-Ni-Mo steel AISI 316
Suction lantern				
Delivery casing				
Upper cover	Cr-Ni steel AISI 304	Cr-Ni-Mo steel AISI 316L	-	-
Strainer	Cr-Ni steel AISI 304	Cr-Ni-Mo steel AISI 316	Cr-Ni-Mo steel AISI 316	Cr-Ni-Mo steel AISI 316
Valve set				
O-ring valve	NBR			
Shaft	Cr steel AISI 431	Cr-Ni-Mo steel AISI 316	Cr-Ni-Mo steel AISI 329	Cr-Ni-Mo steel AISI 329
Coupling set	Cr steel AISI 431	Cr-Ni-Mo steel AISI 316/329		
Diffuser	Cr-Ni steel AISI 304	Cr-Ni-Mo steel AISI 316L	Cr-Ni steel AISI 304	Cr-Ni-Mo steel AISI 316
Stage casing				
Impeller	Cr-Ni steel AISI 304	Cr-Ni-Mo steel AISI 316L	Cr-Ni-Mo steel AISI 316	
Wear ring	NBR		Teflon (PTFE)	
Bearing bush	NBR	HNBR	NBR	HNBR
Cable guard	Cr-Ni steel AISI 304		Cr-Ni-Mo steel AISI 316	
Screws				

## CS, CS-R Motor

Components	CS-R 6", 8", CS 10" standard	I-CS-R 6", 8", I-CS 10" AISI 316
External frame	AISI 304 (AISI 316Ti for 10")	Cr-Ni-Mo steel AISI 316 Ti
Motor flange	Cast iron GJL 200 EN 1561	Cr-Ni-Mo steel AISI 316
Shaft end	Steel AISI 431 (AISI 329 for 10")	AISI 316 (AISI 630 from 30 to 93kW) (AISI 429 for 10")
Thrust bearing	Oscillating pads	Oscillating pads
Bushings	Graphite (Bronze for 8" motor)	Graphite (Bronze for 8" motor)

## Construction

Submersible borehole pumps for 6" wells (DN 150 mm) and 8" (DN 200 mm).

**6SDX 16,28,45,60 - 8SDX 78,97:** with external jacket and stages in stainless steel AISI 304.

**6SDXL 18,30,46,65 - 8SDXL 78,97:** with external jacket and stages in stainless steel AISI 316.

## Impellers

Radial impellers	6SDXL 18
Mixed flow impellers	6SDX 16-28-45-60, 8SDX 78-97 6SDXL 30-46-65, 8SDXL 78-97

**Connection:** Screwed connection Rp 2" 1/2, 3", 4", 5"

Delivery casing with built-in non-return valve.

## Applications

For water supply.  
For civil and industrial applications.  
For fire fighting applications.  
For irrigation.

## Operating conditions

Liquid temperature up to: 30 °C for 6SDX

60 °C for 8SDX

90 °C for SDXL.

Max. sand quantity into the water: 50 g/m<sup>3</sup> per 6SDX

100 g/m<sup>3</sup> per 8SDX

100 g/m<sup>3</sup> per SDXL

Continuous duty.

## Rewindable motor CS-R series

2-pole induction motor, 50 Hz (n ≈ 2900 rpm).

With water wetted winding in rewindable execution.

Sized for connection to the pumps according to NEMA Standards.

Standard voltages:

- three-phase 400 V; 400/690 V.

Voltage tolerance : +6% / -10%.

In order to limit both current and torque at each starting, for rated motor powers equal to or higher than 7.5 kW, one of the following types of starting is necessary: star/delta, soft starter, stator impedance or autotransformer.

Insulation class F for 4" motors, class E for 6-8" motors, PVC coated wire for 10" motors.

Motor suitable operation with frequency converter.

Protection IP 68.

## Operating conditions motor

Motor	Max. Liquid temperature	Cooling: minimum flow velocity	Max. starts per hour	Motor P2
4CS-R	35 °C	0,08 m/s	20	all types
6CS-R	30 °C	0,1 m/s	15	4÷11 kW
		0,2 m/s	15	13÷15 kW
	25 °C	0,2 m/s	15	18,5 kW
		0,2 m/s	13	22÷30 kW
8CS-R	25 °C	0,3 m/s	13	37 kW
			6	45 kW
10CS	25 °C	0,50 m/s	10	30÷45 kW
			8	51÷75 kW
			6	92 kW

## Special features on request

- Other voltages. - 60 Hz frequency.

- Other temperatures.

- Encapsulated motor **FK series**.

## Designation

6 SDX L 30 / 17

Ø of the well in inches \_\_\_\_\_

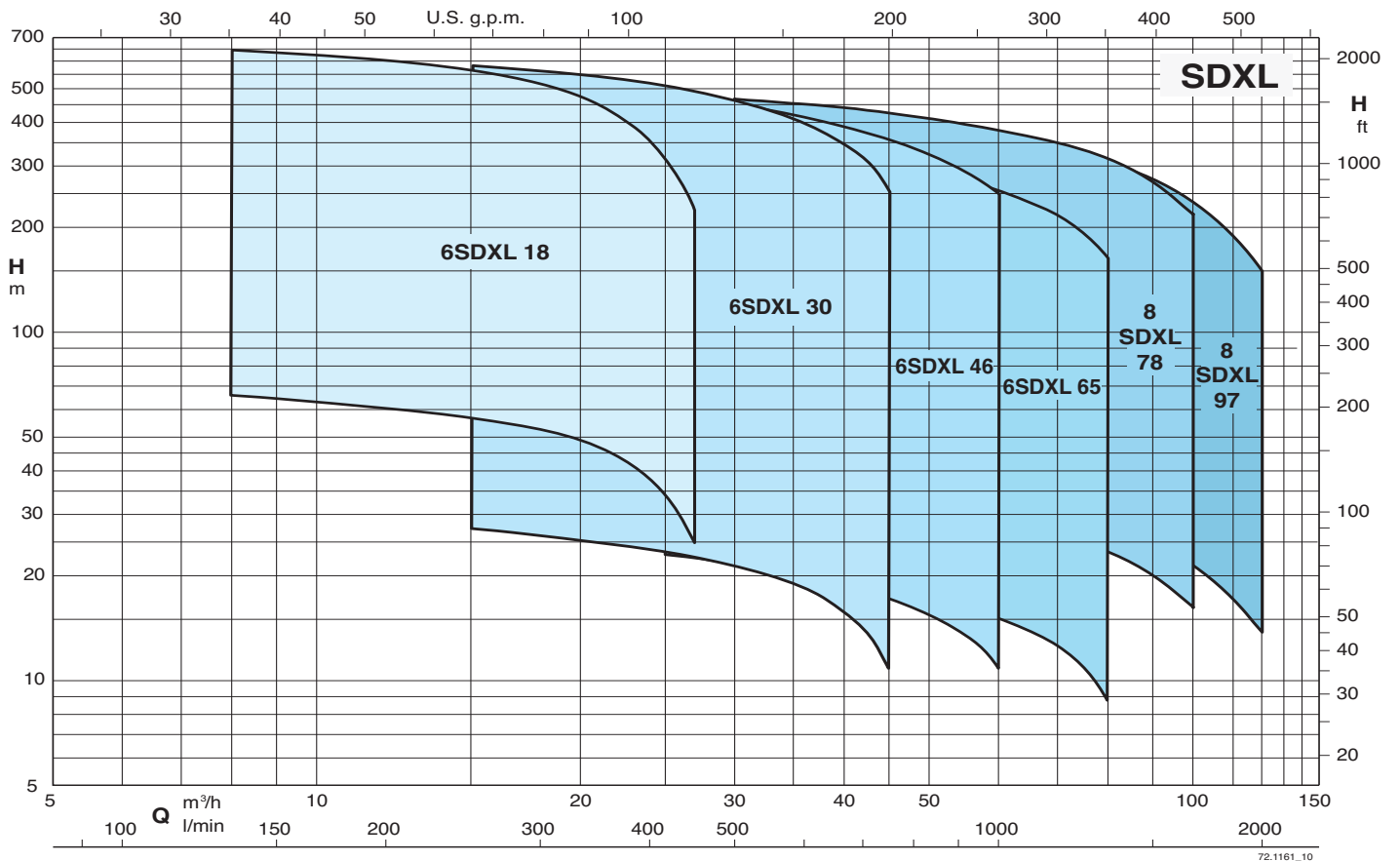
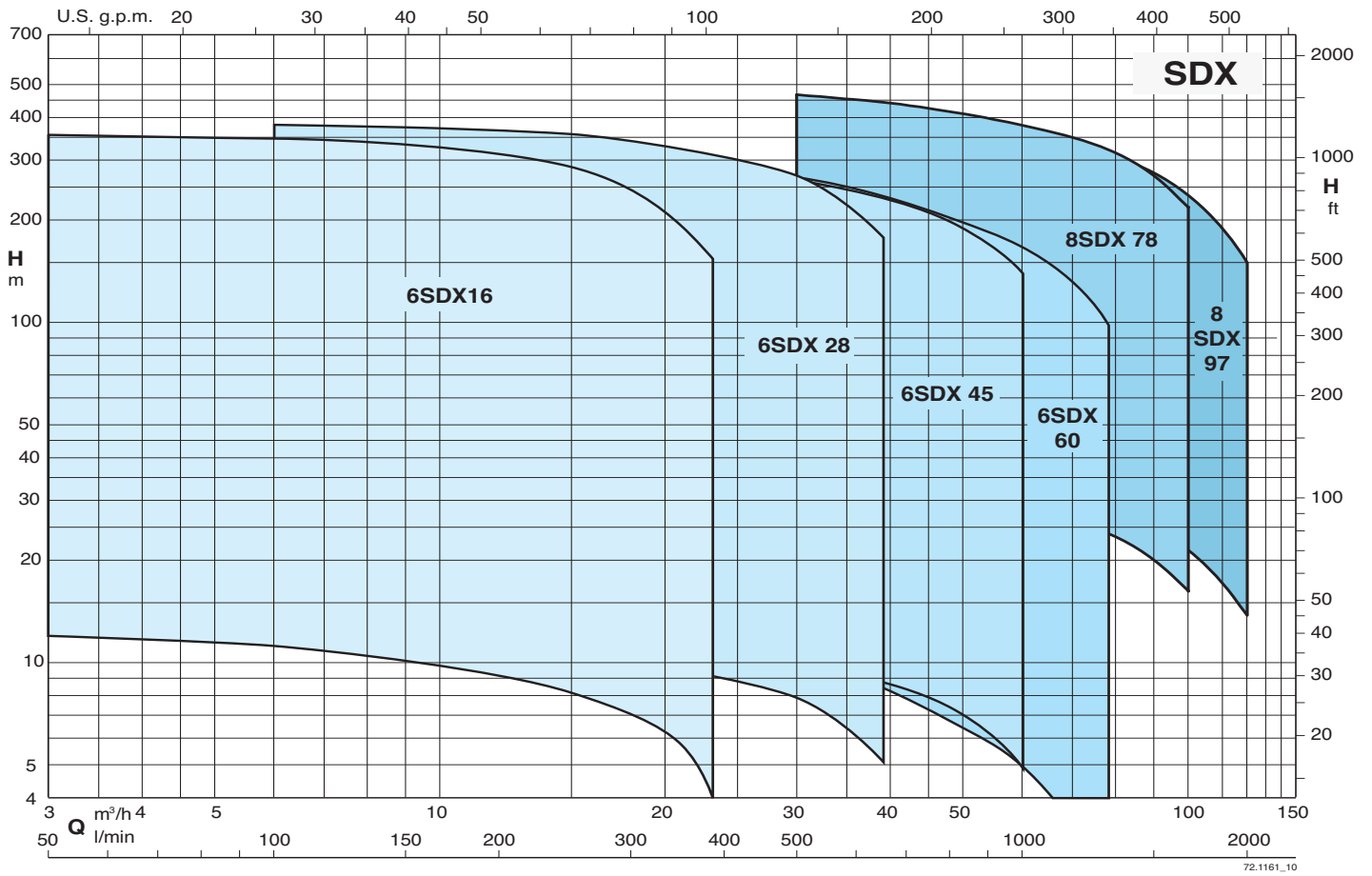
Series \_\_\_\_\_

Cr-Ni-Mo steel AISI 316 construction \_\_\_\_\_

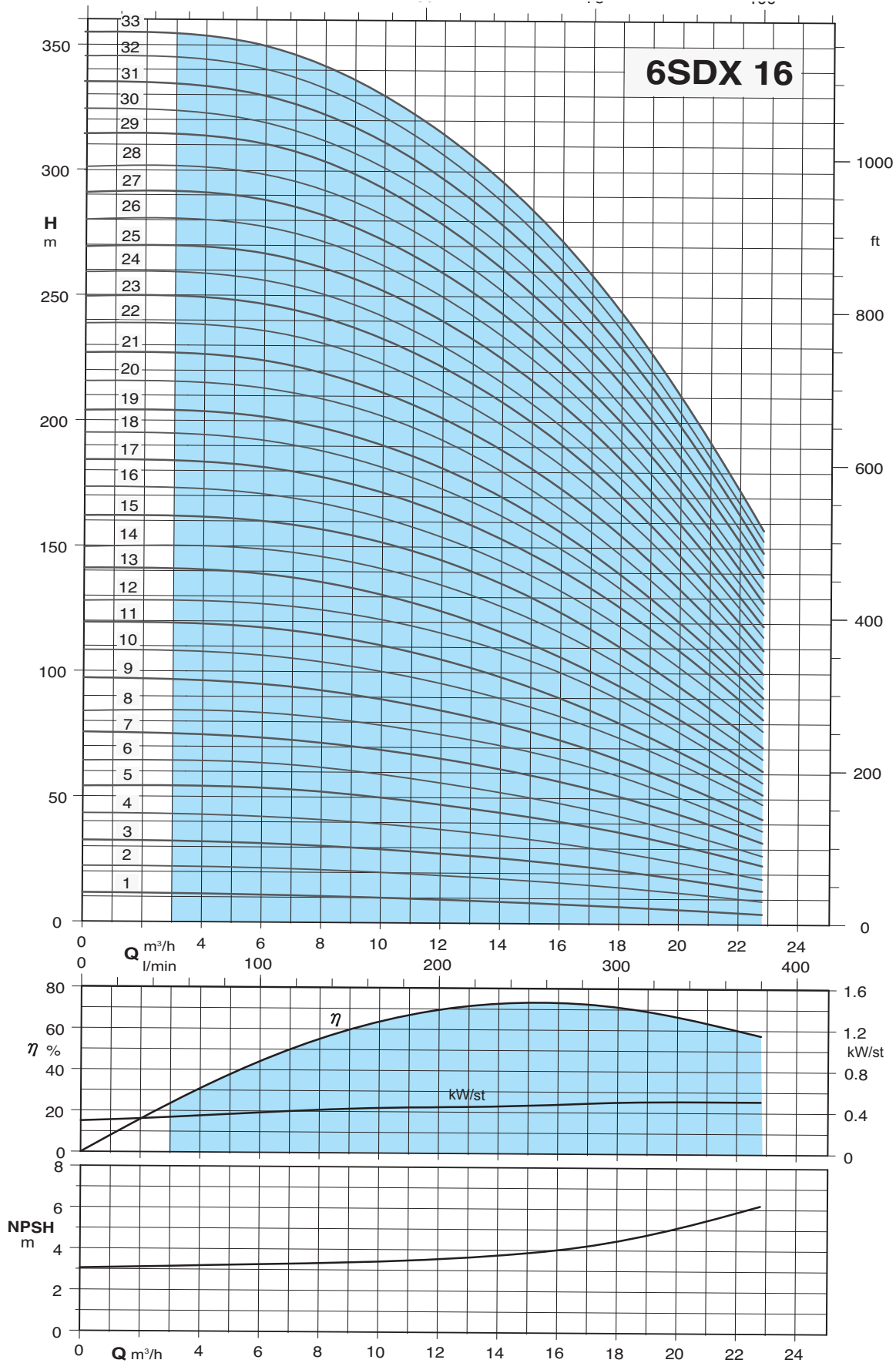
Stage identification \_\_\_\_\_

Number of stages \_\_\_\_\_

**Coverage chart  $n \approx 2900$  rpm**

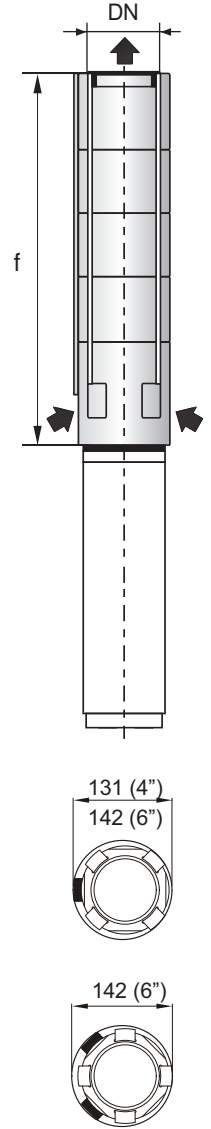


## Characteristic curves



### Performance $n \approx 2900$ rpm, dimensions and weights

3 ~	P <sub>2</sub>		Q	n ≈ 2900 1/min									DN	Motore	f	kg
				m <sup>3</sup> /h												
	kW	HP	l/min	0	3	6	9	12	15	18	21	23				
6SDX 16/1	0.55	0.75	H m	12	12	11	11	10	8	7	6	4	96 4"	343	5.0	
6SDX 16/2	1.1	1.5		22	22	22	20	19	18	14	12	9		403	6.4	
6SDX 16/3	2.2	3		32	32	32	30	28	25	21	17	13		464	7.9	
6SDX 16/4	2.2	3		43	43	42	40	38	33	29	23	18		524	9.3	
6SDX 16/5	3	4		53	53	52	51	48	43	37	29	22		585	10.8	
6SDX 16/6	3.7	5		64	64	63	60	56	50	43	34	27		645	12.2	
6SDX 16/7	4	5.5		75	75	74	70	66	59	51	40	32		706	13.7	
6SDX 16/8	5.5	7.5		85	85	84	80	75	68	59	46	37		766	15.1	
6SDX 16/9	5.5	7.5		97	97	95	91	85	77	65	51	42		827	16.6	
6SDX 16/10	5.5	7.5		108	108	107	102	95	86	74	58	48		887	18.0	
6SDX 16/11	7.5	10		119	119	118	113	105	94	80	63	52		Rp 3"	948	19.5
6SDX 16/12	7.5	10		128	128	127	123	116	105	89	69	57			1008	20.9
6SDX 16/13	7.5	10		141	141	139	133	124	112	95	75	60			1069	22.4
6SDX 16/14	9.2	12.5		150	150	149	144	135	122	103	81	66			1129	23.9
6SDX 16/15	9.2	12.5		162	162	160	155	145	130	110	86	71			1190	25.3
6SDX 16/16	9.2	12.5		173	173	171	165	154	139	119	93	77	1250		26.8	
6SDX 16/17	9.2	12.5		184	184	182	175	163	147	126	100	80	1311		28.2	
6SDX 16/18	9.2	12.5		195	195	192	185	173	156	134	105	86	1371		29.7	
6SDX 16/19	11	15		204	204	202	194	181	163	139	110	91	1432		31.1	
6SDX 16/20	11	15		216	216	213	206	192	173	147	116	95	1492		32.5	
6SDX 16/21	11	15		227	227	224	216	201	182	155	122	100	145 6"		1553	34.0
6SDX 16/22	13	17.5		239	239	237	228	212	190	163	129	105			1613	35.4
6SDX 16/23	13	17.5		250	250	247	237	222	200	171	134	109			1674	36.9
6SDX 16/24	13	17.5		260	260	257	247	230	208	178	140	115			1734	38.3
6SDX 16/25	15	20		270	270	267	257	240	217	185	145	119			1795	39.8
6SDX 16/26	15	20		281	281	278	267	250	225	192	151	124			1855	41.2
6SDX 16/27	15	20		291	291	288	277	259	234	200	158	128			1916	42.7
6SDX 16/28	18.5	25		302	302	298	288	269	242	207	162	133			1976	44.2
6SDX 16/29	18.5	25		314	314	311	300	279	250	215	170	138		2037	45.6	
6SDX 16/30	18.5	25		324	324	319	307	288	260	222	175	144	2097	47.1		
6SDX 16/31	18.5	25		335	335	330	318	298	269	230	181	148	2158	48.5		
6SDX 16/32	18.5	25		345	345	341	328	307	277	237	187	153	2218	50.0		
6SDX 16/33	18.5	25		355	355	350	337	315	285	243	191	157	2279	51.4		

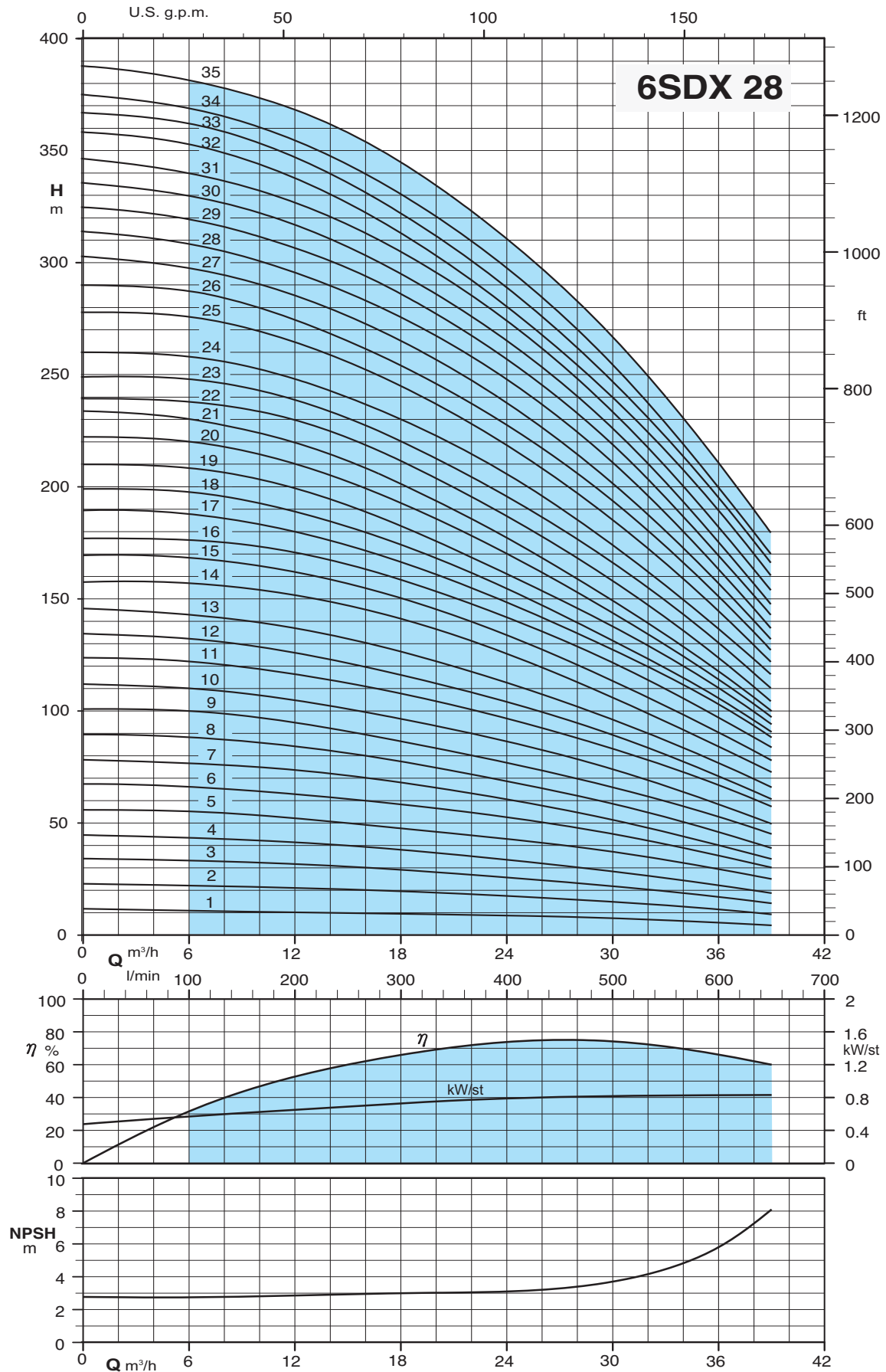


# 6SDX 28

Submersible borehole pumps for 6" wells

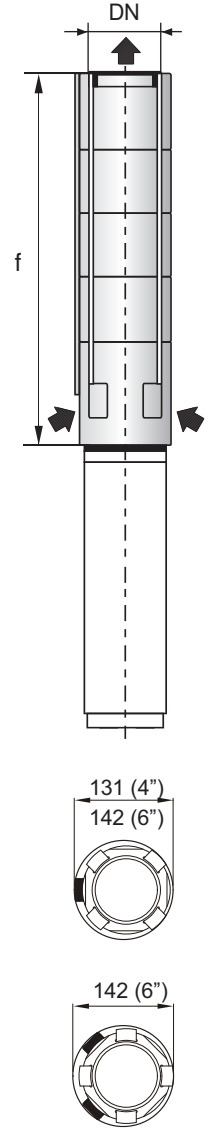


## Characteristic curves

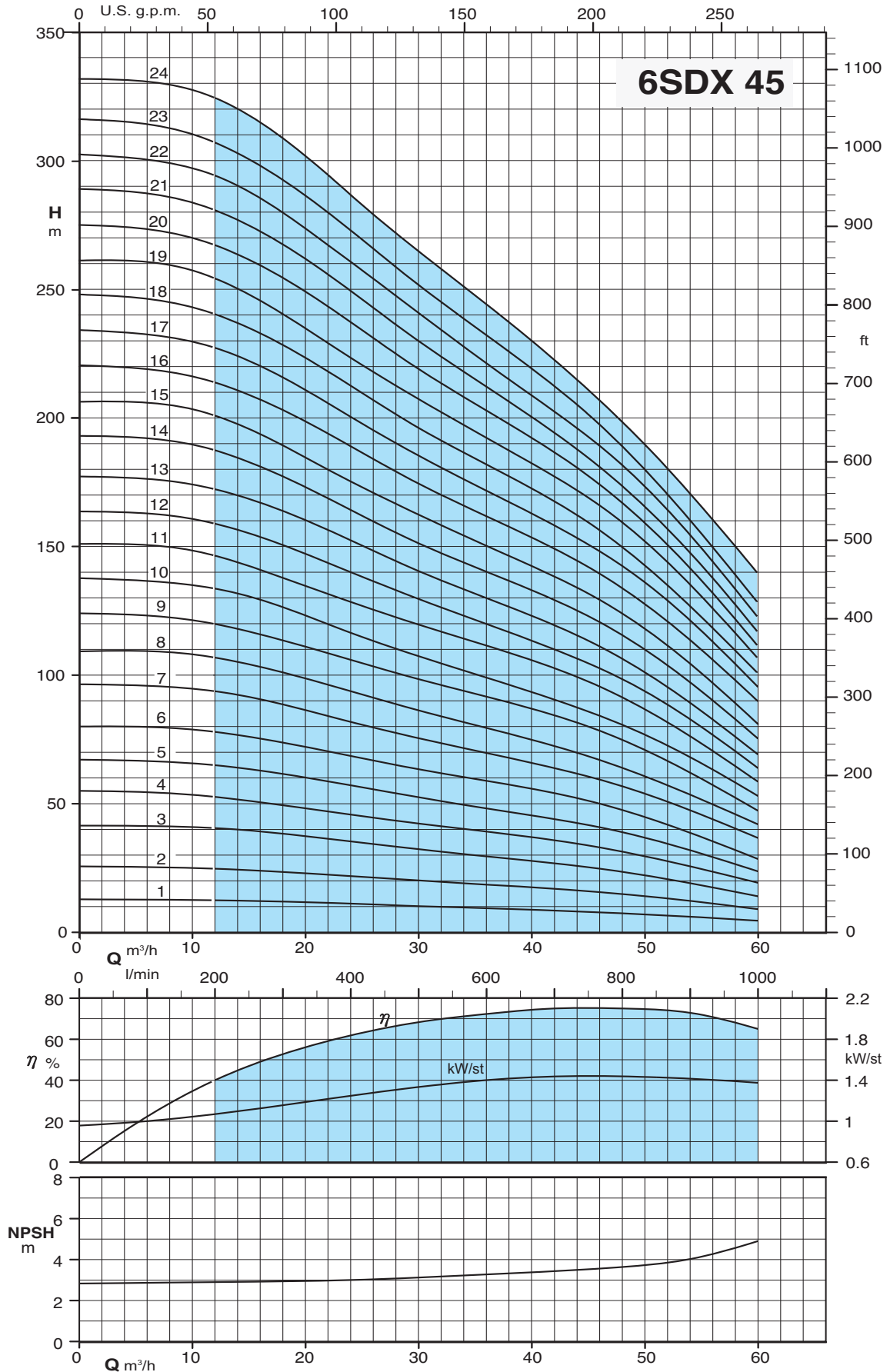


**Performance  $n \approx 2900$  rpm, dimensions and weights**

3 ~	P <sub>2</sub>		Q	n $\approx$ 2900 r/min														DN	Motore											
				H m															Ø mm	f mm	kg									
	kW	HP		m <sup>3</sup> /h	0	6	9	12	15	18	21	24	27	30	33	36	39					l/min	0	100	150	200	250	300	350	400
6SDX 28/1	1,1	1,5	11	11	11	10	10	10	9	9	8	8	7	6	5	23	23	22	21	20	19	18	17	16	15	13	11	9	366	6.7
6SDX 28/2	2,2	3	23	23	22	21	20	19	18	17	16	15	13	11	9	33	33	32	31	30	29	28	26	24	22	20	17	14	462	8.4
6SDX 28/3	3	4	33	33	32	31	30	29	28	26	24	22	20	17	14	44	43	42	41	40	38	36	34	31	28	26	23	19	558	10.1
6SDX 28/4	3,7	5	44	43	42	41	40	38	36	34	31	28	26	23	19	56	55	54	52	50	48	45	43	40	37	34	29	25	654	11.8
6SDX 28/5	5,5	7,5	56	55	54	52	50	48	45	43	40	37	34	29	25	68	67	64	62	60	58	56	52	49	45	40	36	30	750	13.5
6SDX 28/6	5,5	7,5	68	67	64	62	60	58	56	52	49	45	40	36	30	79	77	76	74	71	68	65	61	56	52	46	40	34	846	15.2
6SDX 28/7	7,5	10	79	77	76	74	71	68	65	61	56	52	46	40	34	90	88	87	84	81	78	73	68	64	58	53	46	38	942	16.9
6SDX 28/8	7,5	10	90	88	87	84	81	78	73	68	64	58	53	46	38	101	100	98	95	91	87	82	77	72	66	60	53	45	1038	18.6
6SDX 28/9	9,2	12,5	101	100	98	95	91	87	82	77	72	66	60	53	45	112	110	108	105	101	97	92	86	81	74	67	58	50	1134	20.3
6SDX 28/10	9,2	12,5	112	110	108	105	101	97	92	86	81	74	67	58	50	124	122	120	117	112	108	102	97	90	83	76	67	57	1230	22
6SDX 28/11	11	15	124	122	120	117	112	108	102	97	90	83	76	67	57	134	132	130	126	121	116	110	104	97	89	81	71	61	1326	23.6
6SDX 28/12	11	15	134	132	130	126	121	116	110	104	97	89	81	71	61	146	143	140	137	132	127	120	113	105	97	87	77	66	1422	25.3
6SDX 28/13	11	15	146	143	140	137	132	127	120	113	105	97	87	77	66	158	157	155	152	147	141	134	126	116	108	95	84	73	1518	27
6SDX 28/14	13	17,5	158	157	155	152	147	141	134	126	116	108	95	84	73	170	168	166	162	157	150	142	134	124	113	102	90	77	1614	29.7
6SDX 28/15	15	20	170	168	166	162	157	150	142	134	124	113	102	90	77	178	176	174	171	165	159	151	142	132	122	110	97	84	1710	30.4
6SDX 28/16	15	20	178	176	174	171	165	159	151	142	132	122	110	97	84	190	188	185	180	173	167	158	148	138	127	116	103	88	1806	32.1
6SDX 28/17	15	20	190	188	185	180	173	167	158	148	138	127	116	103	88	199	198	194	189	182	174	165	155	143	130	119	106	90	1902	33.8
6SDX 28/18	18,5	25	199	198	194	189	182	174	165	155	143	130	119	106	90	210	208	205	199	192	182	172	161	150	137	125	110	94	1998	35.5
6SDX 28/19	18,5	25	210	208	205	199	192	182	172	161	150	137	125	110	94	222	220	216	210	202	193	182	170	157	144	129	114	97	2094	37.2
6SDX 28/20	18,5	25	222	220	216	210	202	193	182	170	157	144	129	114	97	232	230	226	220	212	202	190	177	164	149	134	117	100	2190	38.9
6SDX 28/21	18,5	25	232	230	226	220	212	202	190	177	164	149	134	117	100	240	238	235	230	222	212	200	187	173	159	142	124	104	2286	40.6
6SDX 28/22	22	30	240	238	235	230	222	212	200	187	173	159	142	124	104	250	248	245	239	231	221	209	196	182	167	150	131	110	2382	42.3
6SDX 28/23	22	30	250	248	245	239	231	221	209	196	182	167	150	131	110	260	258	254	248	240	230	219	207	191	175	156	137	117	2478	44
6SDX 28/24	22	30	260	258	254	248	240	230	219	207	191	175	156	137	117	278	276	272	265	256	245	233	219	203	187	166	145	122	2574	45.6
6SDX 28/25	22	30	278	276	272	265	256	245	233	219	203	187	166	145	122	290	287	282	275	266	255	242	227	212	194	173	152	127	2670	47.3
6SDX 28/26	22	30	290	287	282	275	266	255	242	227	212	194	173	152	127	302	298	293	286	277	265	253	238	221	202	181	157	132	2766	49
6SDX 28/27	26	35	302	298	293	286	277	265	253	238	221	202	181	157	132	313	309	303	296	287	276	263	248	231	212	189	164	137	2862	50.7
6SDX 28/28	26	35	313	309	303	296	287	276	263	248	231	212	189	164	137	325	319	314	307	298	287	273	257	240	220	196	170	143	2958	52.4
6SDX 28/29	26	35	325	319	314	307	298	287	273	257	240	220	196	170	143	336	330	325	317	307	295	282	266	248	227	202	176	148	3054	54.1
6SDX 28/30	26	35	336	330	325	317	307	295	282	266	248	227	202	176	148	347	340	335	327	317	305	291	275	256	234	209	183	154	3150	55.8
6SDX 28/31	26	35	347	340	335	327	317	305	291	275	256	234	209	183	154	358	353	347	338	327	313	298	281	261	240	217	190	160	3246	57.5
6SDX 28/32	30	40	358	353	347	338	327	313	298	281	261	240	217	190	160	367	362	356	347	336	322	307	289	270	248	223	196	166	3342	59.2
6SDX 28/33	30	40	367	362	356	347	336	322	307	289	270	248	223	196	166	375	369	363	355	344	331	316	298	278	255	229	200	170	3438	60.9
6SDX 28/34	30	40	375	369	363	355	344	331	316	298	278	255	229	200	170	388	382	377	368	358	346	329	311	290	267	240	211	180	3534	62.6
6SDX 28/35	30	40	388	382	377	368	358	346	329	311	290	267	240	211	180														3630	64.3



## Characteristic curves





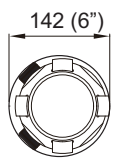
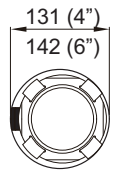
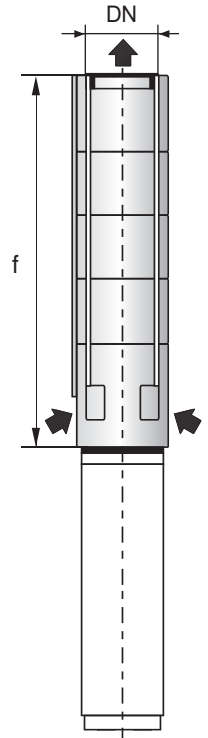
# 6SDX 45

Submersible borehole pumps for 6" wells



## Performance $n \approx 2900$ rpm, dimensions and weights

3 ~	P <sub>2</sub>		Q	n ≈ 2900 r/min													DN	Motore		
				m³/h														Ø mm	f mm	kg
	kW	HP		l/min	0	12	15	18	21	24	27	30	36	42	48	54				
6SDX 45/1	2.2	3	13	13	13	13	12	12	11	11	10	9	9	8	6	5	Rp 4"	96 4"	383	6.9
6SDX 45/2	3	4	25	24	24	23	23	22	21	20	18	17	15	12	9	496			9.2	
6SDX 45/3	5.5	7.5	41	40	39	38	37	35	34	33	29	27	23	18	14	609			11.5	
6SDX 45/4	7.5	10	54	53	51	49	48	46	44	42	39	36	31	26	19	722		13.8		
6SDX 45/5	7.5	10	67	65	63	61	59	57	55	53	48	44	39	32	24	835		16		
6SDX 45/6	9.2	12.5	80	78	76	74	71	69	66	63	59	54	48	39	29	948		18.3		
6SDX 45/7	11	15	97	94	92	88	85	82	79	76	70	64	57	47	37	1061		20.6		
6SDX 45/8	13	17.5	110	107	104	101	97	94	90	86	79	73	64	54	42	1174		22.9		
6SDX 45/9	15	20	124	120	117	114	110	106	102	98	92	85	75	62	47	1287		25.2		
6SDX 45/10	15	20	138	133	130	127	122	117	112	107	98	90	80	67	53	1400		27.4		
6SDX 45/11	18.5	25	151	146	142	138	133	128	124	120	112	103	91	76	59	1513		29.7		
6SDX 45/12	18.5	25	163	158	155	150	145	140	135	130	120	110	98	83	64	1626		32		
6SDX 45/13	22	30	178	172	169	164	158	152	146	140	130	120	106	89	69	1739		34.3		
6SDX 45/14	22	30	193	187	183	177	171	164	158	151	140	129	115	97	75	1852		36.6		
6SDX 45/15	22	30	207	200	195	189	183	176	169	163	150	138	124	103	81	1965		38.8		
6SDX 45/16	26	35	220	214	209	203	196	189	182	174	162	149	134	113	90	2078		41.1		
6SDX 45/17	26	35	234	227	222	215	208	200	193	186	172	158	143	121	96	2191		43.4		
6SDX 45/18	30	40	248	240	235	229	221	213	204	196	182	168	150	127	101	2304		45.7		
6SDX 45/19	30	40	261	254	248	241	233	224	216	208	193	178	160	136	107	2417		47.9		
6SDX 45/20	30	40	275	267	262	255	246	238	228	219	203	187	167	142	112	2530		50.2		
6SDX 45/21	37	50	289	280	275	268	259	250	240	230	212	195	174	148	117	2643		52.5		
6SDX 45/22	37	50	302	294	288	280	270	260	251	241	222	203	183	155	123	2756		54.8		
6SDX 45/23	37	50	317	307	301	293	283	273	262	252	232	213	189	161	129	2869		57.1		
6SDX 45/24	37	50	332	325	317	309	298	287	276	265	244	223	199	171	140	2982		59.3		

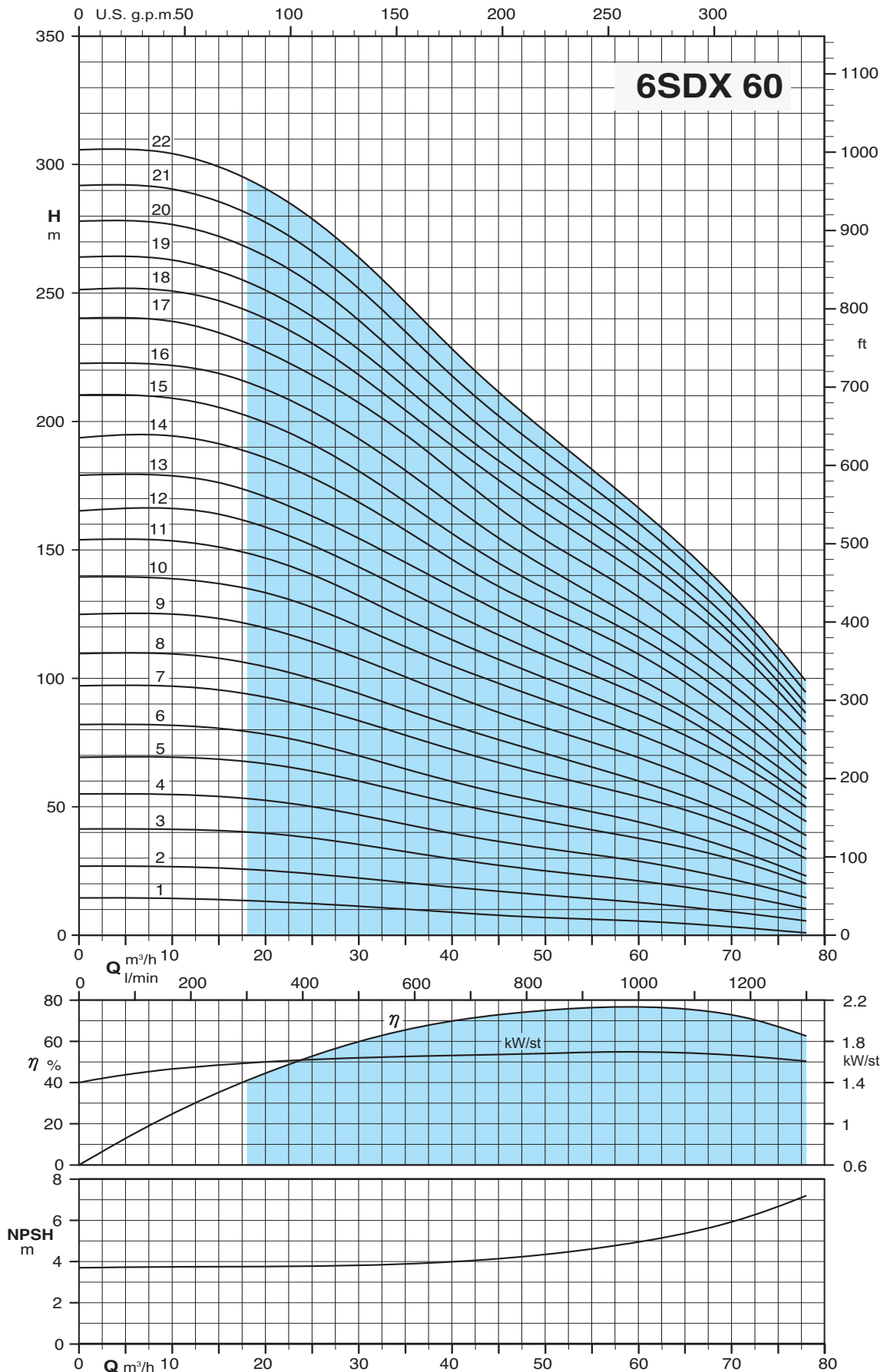


# 6SDX 60

Submersible borehole pumps for 6" wells



## Characteristic curves



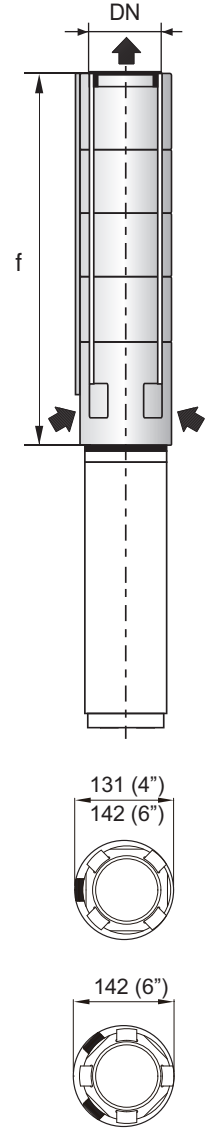
# 6SDX 60

Submersible borehole pumps for 6" wells



## Performance $n \approx 2900$ rpm, dimensions and weights

3 ~	P <sub>2</sub>		Q	n ≈ 2900 1/min													DN	Motore		
				m/h														Ø mm	f mm	kg
	kW	HP	l/min	0	18	21	24	30	36	42	48	54	60	66	72	78				
6SDX 60/1	2.2	3	H m	14	13	13	12	11	10	8	7	6	5	4	2	1	Rp 4"	96	383	6.9
6SDX 60/2	3.7	5		28	26	25	24	22	20	18	16	14	13	11	8	5		4"	496	9.2
6SDX 60/3	5.5	7.5		42	40	39	38	36	32	28	26	24	21	18	14	10		6"	609	11.5
6SDX 60/4	7.5	10		55	53	52	51	47	43	38	35	32	28	25	20	14		722	13.7	
6SDX 60/5	9.2	12.5		69	67	66	64	60	55	50	46	42	38	33	27	19		835	16.0	
6SDX 60/6	11	15		82	79	78	76	70	64	58	53	48	44	38	32	23		948	18.3	
6SDX 60/7	13	17.5		98	94	92	89	84	77	70	64	59	54	47	40	29		1061	20.6	
6SDX 60/8	15	20		110	106	104	101	94	87	80	73	67	60	53	44	33		1174	22.9	
6SDX 60/9	18.5	25		126	122	118	116	108	99	91	83	76	69	61	51	38		1287	25.1	
6SDX 60/10	18.5	25		140	135	132	128	120	111	102	95	87	78	68	57	45		1400	27.4	
6SDX 60/11	22	30		153	148	146	142	132	122	112	103	95	86	76	64	49		1513	29.7	
6SDX 60/12	22	30		166	162	157	153	143	133	122	112	103	94	83	68	53		1626	32.0	
6SDX 60/13	26	35		179	173	169	165	155	143	132	121	110	100	87	73	57		1739	34.3	
6SDX 60/14	26	35		195	188	184	180	168	156	142	130	120	109	96	80	63		1852	36.5	
6SDX 60/15	26	35		210	203	197	193	180	166	152	138	127	116	103	86	67		1965	38.8	
6SDX 60/16	30	40		222	216	211	206	193	178	162	148	135	123	108	92	72		2078	41.1	
6SDX 60/17	37	50		239	230	226	220	207	192	175	158	145	132	116	97	78		2191	43.4	
6SDX 60/18	37	50		252	243	238	233	218	202	185	170	155	141	126	107	83		2304	45.7	
6SDX 60/19	37	50		263	254	249	243	228	210	193	177	163	148	131	110	86		2417	48.0	
6SDX 60/20	37	50		278	267	263	256	239	220	201	184	168	153	136	115	90		2530	50.2	
6SDX 60/21	37	50		292	281	276	269	252	232	211	194	177	161	142	120	95		2463	52.5	
6SDX 60/22	37	50		306	295	289	282	264	243	221	202	184	167	147	125	99		2784	60.2	

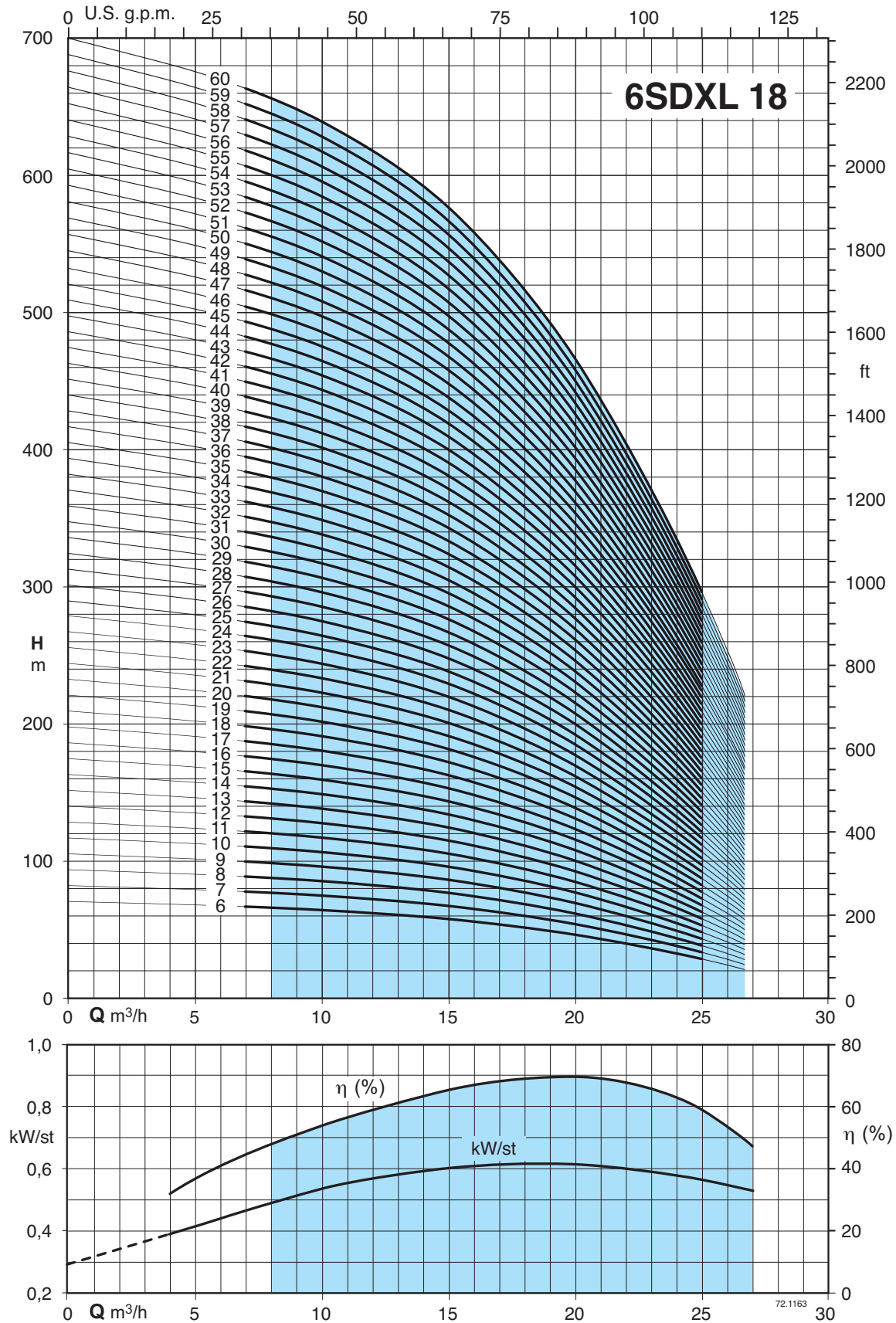


# 6SDXL 18

Submersible borehole pumps for 6" wells



## Characteristic curves



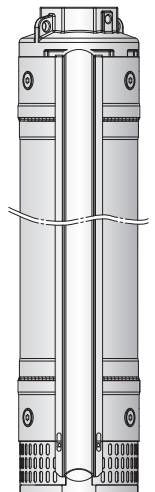
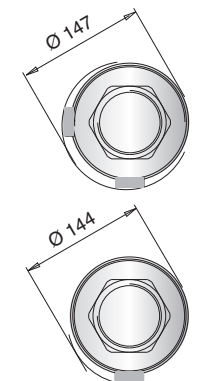
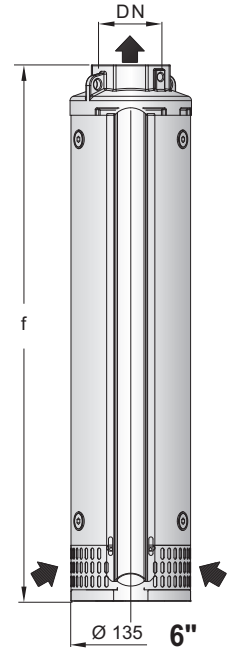
# 6SDXL 18

Submersible borehole pumps for 6" wells



## Performance $n \approx 2900$ rpm, dimensions and weights

3 ~	P <sub>2</sub>		Q	n $\approx$ 2900 rpm									DN	Motore		f	kg
				m <sup>3</sup> /h	0	8	10	12	15	18	21	24		27	CS-R		
	l/min	0	133	167	200	250	300	350	400	450	mm	mm		mm			
6SDXL 18/6	4	5,5		70	66,4	64	62	57,6	51,6	43,2	32,9	20,5				494	12,5
6SDXL 18/7	5,5	7,5		81,7	77,5	74,7	72,3	67,2	60,2	50,4	38,4	23,9				532	13,5
6SDXL 18/8	5,5	7,5		93,3	88,5	85,3	82,7	76,8	68,8	57,6	43,9	27,4				569	14,3
6SDXL 18/9	5,5	7,5		105	99,6	96	93	86,4	77,4	64,8	49,4	30,8				607	15
6SDXL 18/10	7,5	10		117	111	107	103	96	86	72,0	54,9	34,2				644	16
6SDXL 18/11	7,5	10		128	122	117	114	106	94,6	79,2	60,4	37,6				682	17
6SDXL 18/12	7,5	10		140	133	128	124	115	103	86,4	65,8	41,0				719	17,5
6SDXL 18/13	9,2	12,5		152	144	139	134	125	112	93,6	71,3	44,5				757	18,5
6SDXL 18/14	9,2	12,5		163	155	149	145	134	120	101	76,8	47,9				794	19,3
6SDXL 18/15	9,2	12,5		175	166	160	155	144	129	108	82,3	51,3				832	20
6SDXL 18/16	11	15		187	177	171	165	154	138	115	87,8	54,7				869	21
6SDXL 18/17	11	15		198	188	181	176	163	146	122	93,3	58,1				907	22
6SDXL 18/18	11	15		210	199	192	186	173	155	130	98,8	61,6				944	22,5
6SDXL 18/19	13 (15)	17,5 (20)		222	210	203	196	182	163	137	104	65,0				982	23,5
6SDXL 18/20	13 (15)	17,5 (20)		233	221	213	207	192	172	144	110	68,4				1019	24
6SDXL 18/21	13 (15)	17,5 (20)		245	232	224	217	202	181	151	115	71,8				1057	25
6SDXL 18/22	15	20		257	243	235	227	211	189	158	121	75,2				1094	26
6SDXL 18/23	15	20		268	254	245	238	221	198	166	126	78,7				1132	26,5
6SDXL 18/24	15	20		280	266	256	248	230	206	173	132	82,1				1169	27,5
6SDXL 18/25	18,5	25		292	277	267	258	240	215	180	137	85,5				1207	28,3
6SDXL 18/26	18,5	25		303	288	277	269	250	224	187	143	88,9				1244	29
6SDXL 18/27	18,5	25		315	299	288	279	259	232	194	148	92,3				1282	31
6SDXL 18/28	18,5	25		327	310	299	289	269	241	202	154	95,8				1319	31
6SDXL 18/29	18,5	25		338	321	309	300	278	249	209	159	99,2				1356	31,5
6SDXL 18/30	18,5	25		350	332	320	310	288	258	216	165	103				1394	32,5
6SDXL 18/31	22	30		362	343	331	320	298	267	223	170	106				1431	33,3
6SDXL 18/32	22	30		373	354	342	331	307	275	230	176	109				1469	34
6SDXL 18/33	22	30		385	365	352	341	317	284	238	181	113				1506	35
6SDXL 18/34	22	30	H	397	376	363	351	326	292	245	187	116				1544	35,7
6SDXL 18/35	22	30	m	408	387	373	362	336	301	252	192	120				1581	36,3
6SDXL 18/36	22	30		420	398	384	372	346	310	259	198	123				1619	37
6SDXL 18/37	26 (30)	35 (40)		432	409	395	382	355	318	266	203	127				1656	38,4
6SDXL 18/38	26 (30)	35 (40)		443	420	405	393	365	327	274	209	130				1694	39,8
6SDXL 18/39	26 (30)	35 (40)		455	432	416	403	374	335	281	214	133				1731	40
6SDXL 18/40	26 (30)	35 (40)		467	443	427	413	384	344	288	220	137				1769	40,5
6SDXL 18/41	26 (30)	35 (40)		478	454	437	424	394	353	295	225	140				1806	41,8
6SDXL 18/42	26 (30)	35 (40)		490	465	448	434	403	361	302	230	144				1844	43
6SDXL 18/43	30	40		502	476	459	444	413	370	310	236	147				1881	44
6SDXL 18/44	30	40		513	487	469	455	422	378	317	241	151				1919	45
6SDXL 18/45	30	40		525	498	480	465	432	387	324	247	154				1956	46
6SDXL 18/46	30	40		537	509	491	475	442	396	331	252	157				1993	47
6SDXL 18/47	30	40		548	520	501	486	451	404	338	258	161				2031	47,5
6SDXL 18/48	30	40		560	531	512	496	461	413	346	263	164				2068	48
6SDXL 18/49	30	40		572	542	523	506	470	421	353	269	168				2106	50
6SDXL 18/50	37	50		583	553	533	517	480	430	360	274	171				2143	51
6SDXL 18/51	37	50		595	564	544	527	490	439	367	280	174				2181	52
6SDXL 18/52	37	50		607	575	555	537	499	447	374	285	178				2218	53
6SDXL 18/53	37	50		618	586	565	548	509	456	382	291	181				2256	54
6SDXL 18/54	37	50		630	598	576	558	518	464	389	296	185				2293	55
6SDXL 18/55	37	50		642	609	587	568	528	473	396	302	188				2331	56
6SDXL 18/56	37	50		653	620	597	579	538	482	403	307	192				2368	57
6SDXL 18/57	37	50		665	631	608	589	547	490	410	313	195				2406	58
6SDXL 18/58	37	50		677	642	619	599	557	499	418	318	198				2443	59
6SDXL 18/59	37	50		688	653	629	610	566	507	425	324	202				2481	60
6SDXL 18/60	37	50		700	664	640	620	576	516	432	329	205				2518	61



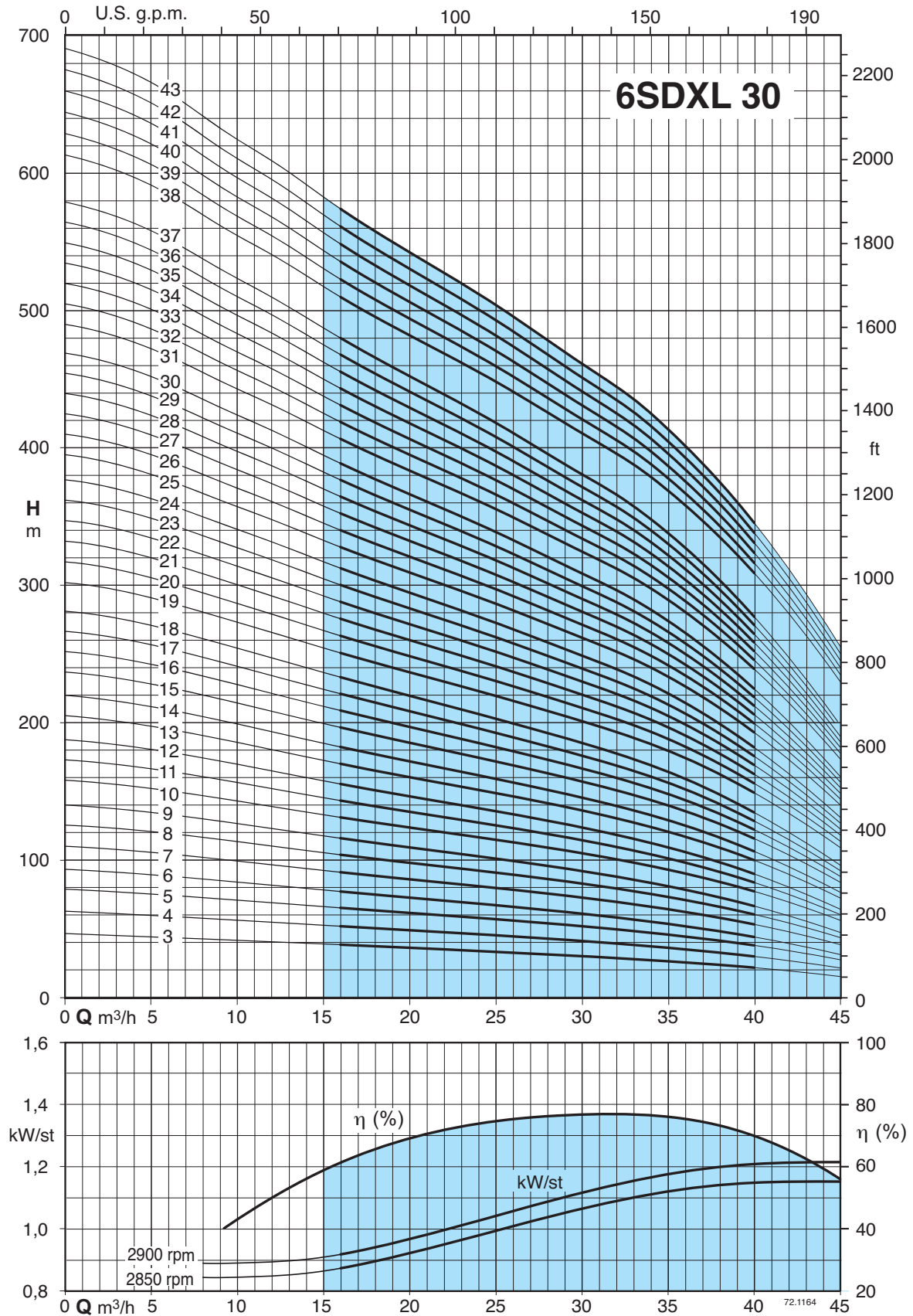
Reinforced with special collar from 6SDX(L) 18/47

# 6SDXL 30

Submersible borehole pumps for 6" wells

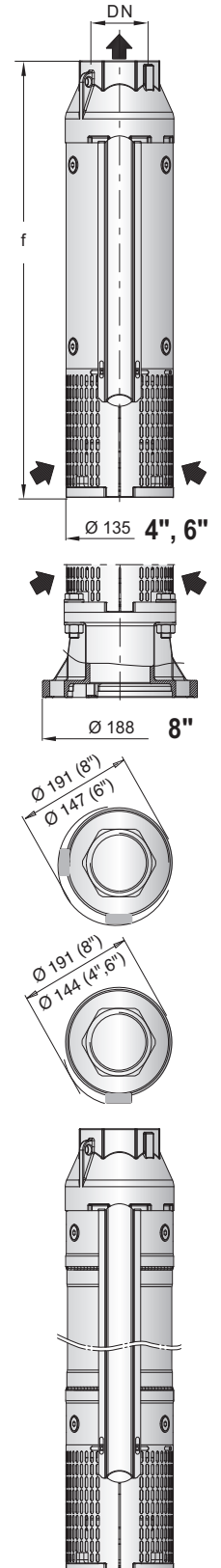


## Characteristic curves



### Performance $n \approx 2900$ rpm, dimensions and weights

3 ~	P <sub>2</sub>		Q	n ≈ 2900 rpm											DN	Motore		f	kg
	kW	HP		m <sup>3</sup> /h	0	15	20	25	30	35	40	45	-	CS-R		FK			
			l/min	0	250	333	416	500	583	666	750	-	mm	mm					
6SDXL 30/3	4	5,5	H m	46,3	38,9	36	33,3	30,2	26,7	21,7	15,3	-	Rp 3"	145 6"	137 6"	620	14,7		
6SDXL 30/4	5,5	7,5		62,5	52,6	48,8	45,2	41,1	36,5	30	21,4	705				16,8			
6SDXL 30/5	7,5	10		78,6	66,2	61,5	56,9	51,8	46,1	38	27,4	790				18,9			
6SDXL 30/6	7,5	10		93,1	78,4	72,6	67,1	61	54	44,1	31,2	876				21			
6SDXL 30/7	9,2	12,5		110	92,6	86	79,7	72,6	64,6	53,3	38,4	961,5				23,1			
6SDXL 30/8	11	15		125	106	98,1	90,9	82,7	73,6	60,5	43,5	1047				25,4			
6SDXL 30/9	11	15		140	118	109	101	91,8	81,4	66,6	47,3	1132				27,3			
6SDXL 30/10	13 (15)	17,5 (20)		158	133	124	115	105	93,5	77,3	56,1	1218				29,4			
6SDXL 30/11	15	20		173	146	135	125	114	102	83,8	60,4	1303				31,5			
6SDXL 30/12	15	20		188	158	147	136	123	110	90	64,4	1389				33,6			
6SDXL 30/13	18,5	25		205	173	161	149	136	121	100	72,4	1474				35,7			
6SDXL 30/14	18,5	25		220	185	172	159	145	129	106	76,7	1560				37,8			
6SDXL 30/15	22	30		237	200	185	172	157	140	116	84	1645				39,9			
6SDXL 30/16	22	30		252	212	197	183	166	148	122	88,3	1730				42			
6SDXL 30/17	22	30		267	224	208	193	176	156	129	92,5	1816				44,1			
6SDXL 30/18	22	30		281	237	220	203	185	164	135	96,5	1901				46,1			
6SDXL 30/19	26 (30)	35 (40)		302	255	237	220	201	180	149	109	1987				48,2			
6SDXL 30/20	26 (30)	35 (40)		317	267	249	231	210	188	156	114	2072				50,3			
6SDXL 30/21	26 (30)	35 (40)		332	280	260	241	220	197	163	118	2157				52,4			
6SDXL 30/22	30	40		347	293	272	252	230	205	169	123	2243				54,5			
6SDXL 30/23	30	40		362	305	283	263	239	213	176	127	2328				56,6			
6SDXL 30/24	30	40		377	317	295	273	249	221	182	131	2414				58,7			
6SDXL 30/25	37	50		395	333	309	287	261	233	193	140	2499				60,8			
6SDXL 30/26	37	50		410	345	321	297	271	242	200	144	2584				62,9			
6SDXL 30/27	37	50		425	358	332	308	280	250	206	149	2670				65			
6SDXL 30/28	37	50		440	370	344	318	290	258	212	153	2755				67,2			
6SDXL 30/29	37	50		454	383	355	329	299	266	219	157	2840				69,2			
6SDXL 30/30	37	50		469	395	366	339	308	274	225	161	2926				71,3			
6SDXL 30/31	45	60		490	413	384	356	324	289	239	174	3011				75,2			
6SDXL 30/32	45	60		505	425	395	366	334	298	246	178	3096				78,3			
6SDXL 30/33	45	60		520	438	407	377	343	306	252	182	3182				80,4			
6SDXL 30/34	45	60		535	450	418	387	353	314	259	186	3267				82,5			
6SDXL 30/35	45	60		549	463	429	398	362	322	265	190	3352				84,6			
6SDXL 30/36	45	60		564	475	441	408	371	330	271	194	3438				87,9			
6SDXL 30/37	45	60		579	487	452	418	380	338	277	198	3523				90			
6SDXL 30/38	51 (55)	70 (75)		613	517	482	448	410	369	309	229	3709				92,3			
6SDXL 30/39	51 (55)	70 (75)		628	530	494	459	420	378	316	234	3794				94,5			
6SDXL 30/40	51 (55)	70 (75)		644	543	506	471	430	387	323	240	3879				96,6			
6SDXL 30/41	51 (55)	70 (75)		659	557	518	482	440	396	330	245	3965				97,6			
6SDXL 30/42	55	75		675	569	530	493	450	404	338	250	4050				98,7			
6SDXL 30/43	55	75		690	582	542	504	460	413	345	255	4135				99,8			



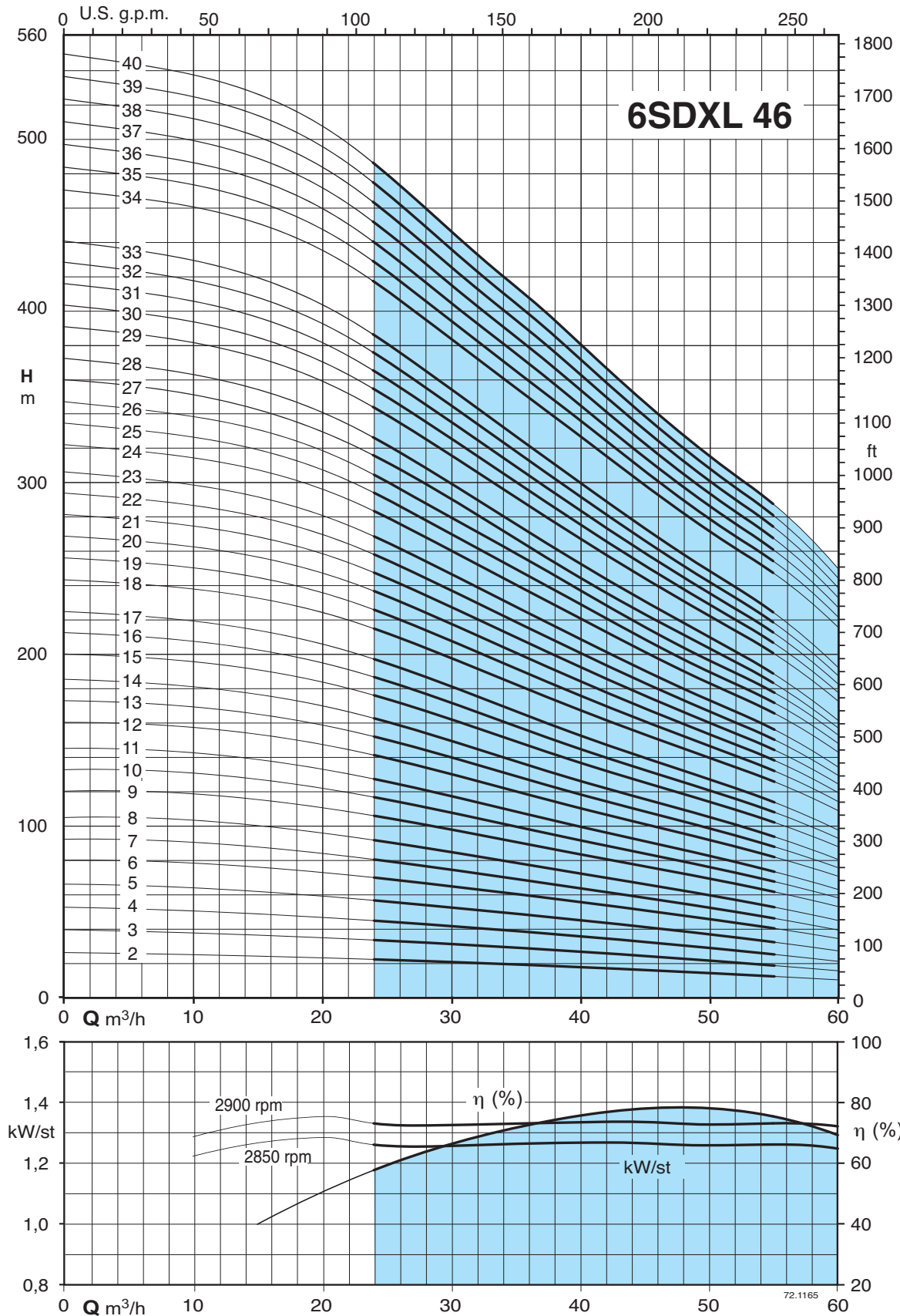
Reinforced with special collar from 6SDX(L) 30/36

# 6SDXL 46

Submersible borehole pumps for 6" wells



## Characteristic curves





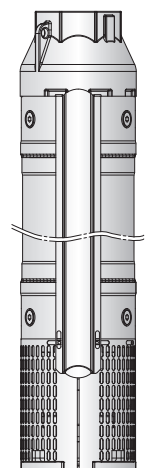
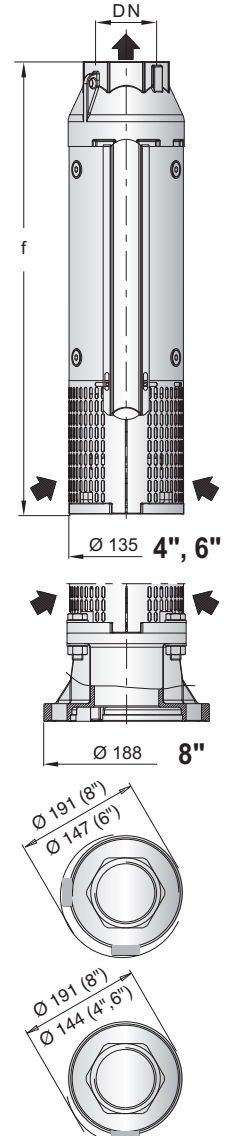
# 6SDXL 46

Submersible borehole pumps for 6" wells



## Performance $n \approx 2900$ rpm, dimensions and weights

3 ~	P <sub>2</sub>		Q	n ≈ 2900 rpm												DN	Motore		f	kg
				H													CS-R	FK		
	kW	HP	m <sup>3</sup> /h	0	25	30	35	40	45	50	55	60	-	-	mm		mm	mm		
6SDXL 46/2	3	4	26,4	22,6	20,9	19,3	17,8	16,6	15,1	13,4	11,3	-	-	96 - 4"	96 - 4"	594	13,5			
6SDXL 46/3	4	5,5	39,4	33,8	31,2	28,8	26,6	24,7	22,5	19,9	16,8	-	-	145 6"	137 6"	705	16,2			
6SDXL 46/4	5,5	7,5	52,5	45	41,5	38,3	35,5	32,9	29,9	26,5	22,3	-	-			819	18,8			
6SDXL 46/5	7,5	10	66,1	56,8	52,3	48,3	44,7	41,5	37,8	33,6	28,4	-	-			933	21,4			
6SDXL 46/6	9,2	12,5	80,7	70	65,2	60,4	55,5	50,3	46	41,6	35,7	-	-			1047	24,0			
6SDXL 46/7	9,2	12,5	93,1	80,4	74,8	69,3	63,5	57,6	52,7	47,5	40,5	-	-			1161	26,6			
6SDXL 46/8	11	15	106	91,6	85,1	78,9	72,2	65,5	59,9	54	46	-	-			1275	29,2			
6SDXL 46/9	13 (15)	17,5 (20)	121	105	98,2	91	83,7	75,9	69,5	62,9	54,1	-	-			1389	31,8			
6SDXL 46/10	13 (15)	17,5 (20)	134	116	108	100	91,9	83,3	76,2	68,9	59	-	-			1503	34,4			
6SDXL 46/11	15	20	146	126	118	109	99,9	90,5	82,8	74,7	63,7	-	-			1617	37,0			
6SDXL 46/12	18,5	25	161	140	130	120	111	101	92	83,3	71,4	-	-			1730	39,6			
6SDXL 46/13	18,5	25	174	150	140	130	119	108	98,7	89,2	76,3	-	-			1844	42,2			
6SDXL 46/14	18,5	25	186	161	149	139	127	115	105	95	81	-	-			1958	44,8			
6SDXL 46/15	22	30	201	174	162	150	138	125	114	103	88,4	-	-			2072	47,4			
6SDXL 46/16	22	30	213	184	171	159	146	132	121	109	93,2	-	-			2186	50,1			
6SDXL 46/17	22	30	225	195	181	168	154	139	127	115	97,8	-	-			2300	52,7			
6SDXL 46/18	26 (30)	35 (40)	244	212	198	183	169	153	140	127	109	-	-			2414	55,3			
6SDXL 46/19	26 (30)	35 (40)	257	223	208	192	177	160	147	133	114	-	-			2527	57,9			
6SDXL 46/20	30	40	269	234	218	208	185	168	154	139	119	-	-			2641	60,5			
6SDXL 46/21	30	40	282	244	227	211	193	175	160	145	124	-	-			2755	63,1			
6SDXL 46/22	30	40	294	255	237	220	202	183	167	151	129	-	-			2869	65,7			
6SDXL 46/23	30	40	307	265	247	229	209	190	174	157	134	-	-			2983	68,3			
6SDXL 46/24	37	50	322	280	260	241	222	201	184	166	143	-	-			3096	70,9			
6SDXL 46/25	37	50	335	290	270	250	230	208	191	172	147	-	-			3210	73,5			
6SDXL 46/26	37	50	347	301	280	259	238	216	197	178	152	-	-			3324	76,1			
6SDXL 46/27	37	50	360	311	289	268	246	223	204	184	157	-	-			3438	79,3			
6SDXL 46/28	37	50	372	321	299	277	254	230	210	190	162	-	-			3552	82,0			
6SDXL 46/29	45	60	390	339	315	292	268	243	223	201	173	-	-			3665	87,4			
6SDXL 46/30	45	60	403	349	325	301	276	251	229	207	178	-	-			3779	90,0			
6SDXL 46/31	45	60	415	360	334	310	284	258	236	213	183	-	-	3893	92,6					
6SDXL 46/32	45	60	427	370	344	319	292	265	243	219	187	-	-	4007	95,2					
6SDXL 46/33	45	60	440	380	353	328	300	272	249	225	192	-	-	4121	97,8					
6SDXL 46/34	51 (55)	70 (75)	469	411	383	355	328	298	272	248	216	-	-	4335	101					
6SDXL 46/35	51 (55)	70 (75)	482	422	394	365	337	306	279	255	221	-	-	4449	103					
6SDXL 46/36	51 (55)	70 (75)	496	434	404	374	346	314	287	261	227	-	-	4562	106					
6SDXL 46/37	51 (55)	70 (75)	509	445	415	384	355	322	294	268	233	-	-	4676	109					
6SDXL 46/38	55	75	522	456	425	394	364	330	302	275	238	-	-	4790	111					
6SDXL 46/39	55	75	535	467	436	403	372	338	309	281	244	-	-	4904	114					
6SDXL 46/40	55	75	548	479	446	413	381	346	316	288	249	-	-	5018	117					



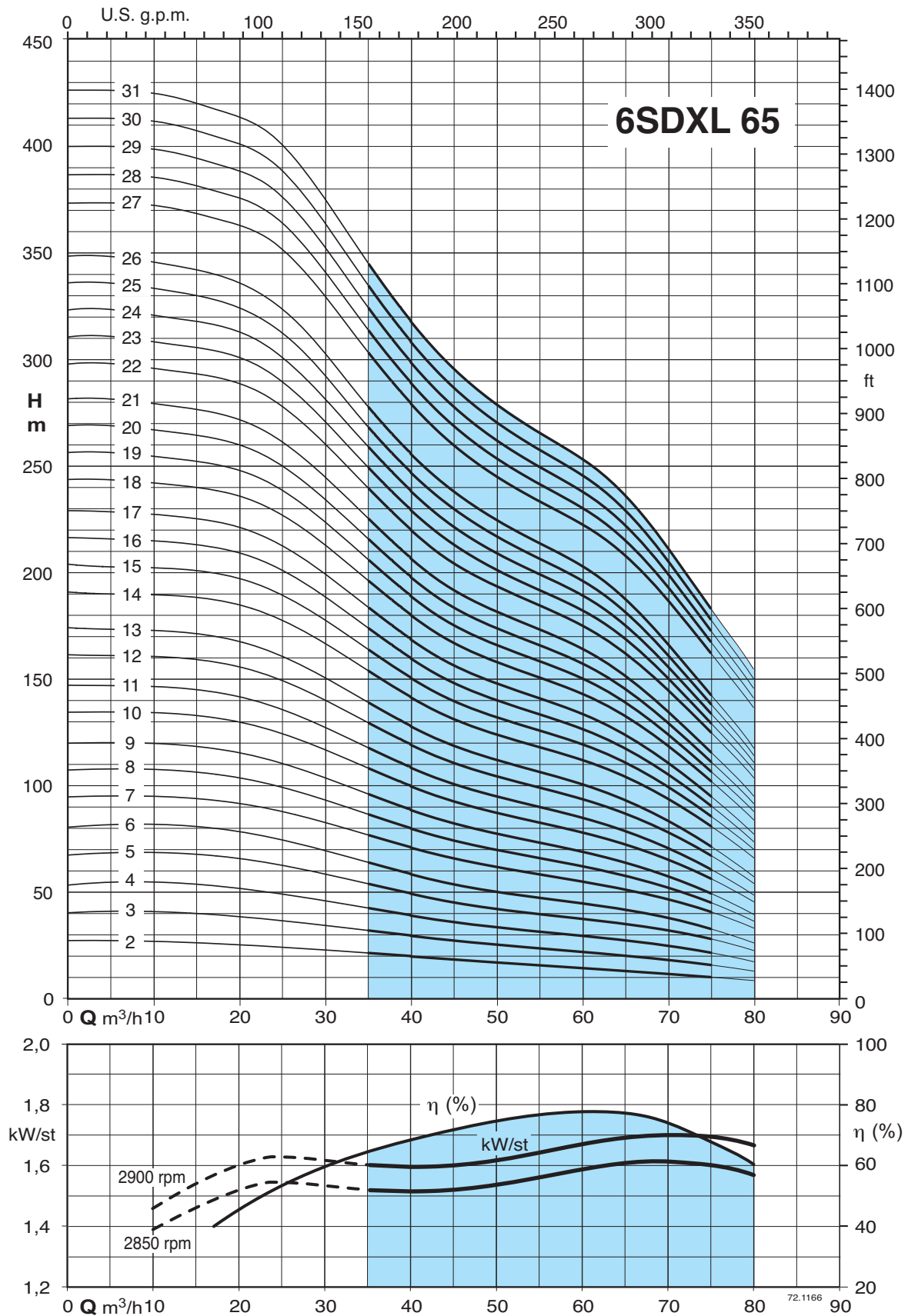
Reinforced with special collar from 6SDX(L) 46/27

# 6SDXL 65

Submersible borehole pumps for 6" wells



## Characteristic curves



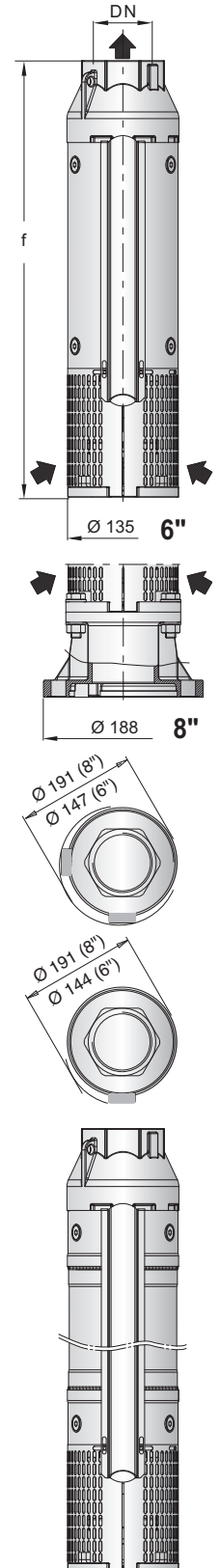
# 6SDXL 65

Submersible borehole pumps for 6" wells



## Performance $n \approx 2900$ rpm, dimensions and weights

3 ~	P <sub>2</sub>		Q	n ≈ 2900 rpm											DN	Motore		f	kg
				m³/h												CS-R	FK		
	kW	HP	l/min	0	35	40	45	50	55	60	65	70	75	80		mm	mm		
6SDXL 65/2	4	5,5		26,8	21,1	19	17,3	16,5	15,7	14,9	13,9	12,4	10,5	8,2			592	13,6	
6SDXL 65/3	5,5	7,5		40,4	31,8	28,8	26,2	24,9	23,7	22,5	21	18,9	16	12,6			705	16,2	
6SDXL 65/4	7,5	10		54	42,5	38,4	35	33,2	31,6	30,1	28	25,2	21,4	16,9			819	18,8	
6SDXL 65/5	9,2	12,5		68	53,8	48,7	44,3	41,9	40,1	38,2	35,6	32,2	27,5	22			933	21,4	
6SDXL 65/6	11	15		81,2	64	57,9	52,7	50	47,7	45,3	42,3	38,1	32,3	25,7			1047	24,0	
6SDXL 65/7	13 (15)	17,5 (20)		94,9	76,2	70,1	65,2	61,7	58,6	55,7	52,1	46,1	39,7	33,4			1161	26,7	
6SDXL 65/8	15	20		108	86	79,1	73,5	69,7	66,1	62,8	58,5	51,6	44,3	37			1275	29,3	
6SDXL 65/9	15	20		120	95,5	87,8	81,5	77,4	73,4	69,6	64,6	56,8	48,6	40,2			1389	31,9	
6SDXL 65/10	18,5	25		134	108	99	91,9	87,2	82,7	78,5	73,2	64,6	55,5	46,3			1503	34,5	
6SDXL 65/11	18,5	25		147	117	108	100	95	90	85,4	79,4	69,8	59,9	49,6			1617	37,1	
6SDXL 65/12	22	30		161	129	118	110	104	99,1	94,1	87,6	77,3	66,3	55,3			1730	39,7	
6SDXL 65/13	22	30		174	138	127	118	112	106	101	93,8	82,5	70,8	58,6			1844	42,4	
6SDXL 65/14	26 (30)	35 (40)	H m	190	153	141	131	124	118	112	105	93	80,2	67,7	Rp 3"	145 6"	137 6"	1958	44,9
6SDXL 65/15	26 (30)	35 (40)		203	163	150	140	132	126	119	111	98,7	85	71,5				2072	47,5
6SDXL 65/16	30	40		216	173	159	148	140	133	126	118	104	89,7	75,2				2186	50,2
6SDXL 65/17	30	40		229	183	168	156	148	141	133	124	110	94,3	78,8				2300	52,8
6SDXL 65/18	37	50		243	195	180	167	158	150	143	133	118	101	85,2				2414	55,4
6SDXL 65/19	37	50		256	205	189	175	166	158	150	140	123	106	88,9				2527	58,0
6SDXL 65/20	37	50		269	215	198	184	174	165	157	146	129	111	92,4				2641	60,7
6SDXL 65/21	37	50		281	225	206	192	182	173	164	152	134	115	95,7				2755	63,3
6SDXL 65/22	45	60		298	239	220	204	194	184	175	163	144	124	104				2869	68,7
6SDXL 65/23	45	60		310	249	229	213	202	191	182	170	150	129	108				2983	71,3
6SDXL 65/24	45	60		323	259	238	221	209	199	189	176	155	133	111				3096	73,9
6SDXL 65/25	45	60		336	268	247	229	217	206	196	182	161	138	115				3210	76,5
6SDXL 65/26	45	60		348	278	255	237	225	213	202	188	166	142	118				3324	79,1
6SDXL 65/27	51 (55)	70 (75)	373	303	279	259	245	233	222	208	186	162	137	3538	82,6				
6SDXL 65/28	51 (55)	70 (75)	386	313	288	268	253	241	229	216	193	167	142	3652	85,3				
6SDXL 65/29	51 (55)	70 (75)	399	324	298	277	262	249	237	223	199	172	146	3765	87,9				
6SDXL 65/30	55	75	413	334	308	286	270	258	245	230	205	177	151	3879	90,5				
6SDXL 65/31	55	75	426	345	317	295	279	265	252	237	211	183	155	3993	93,2				



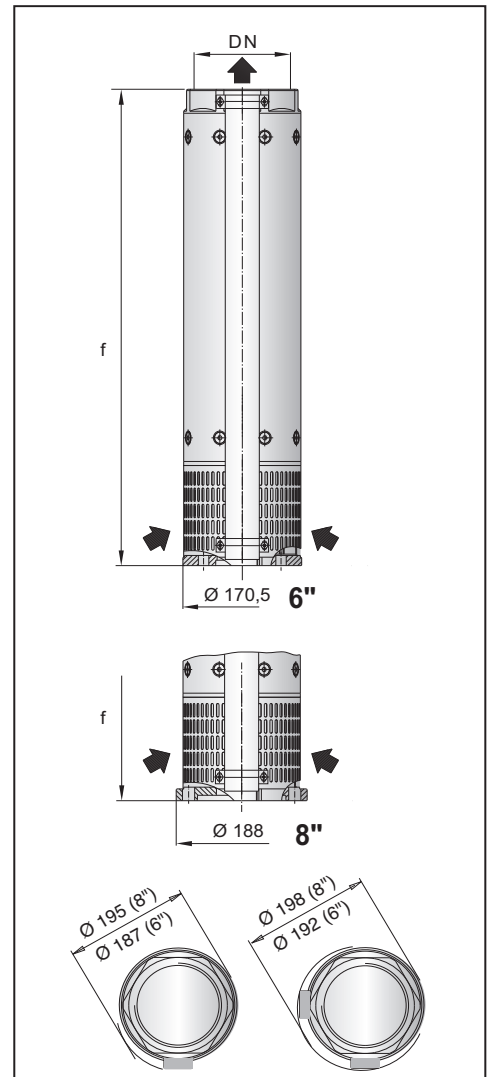
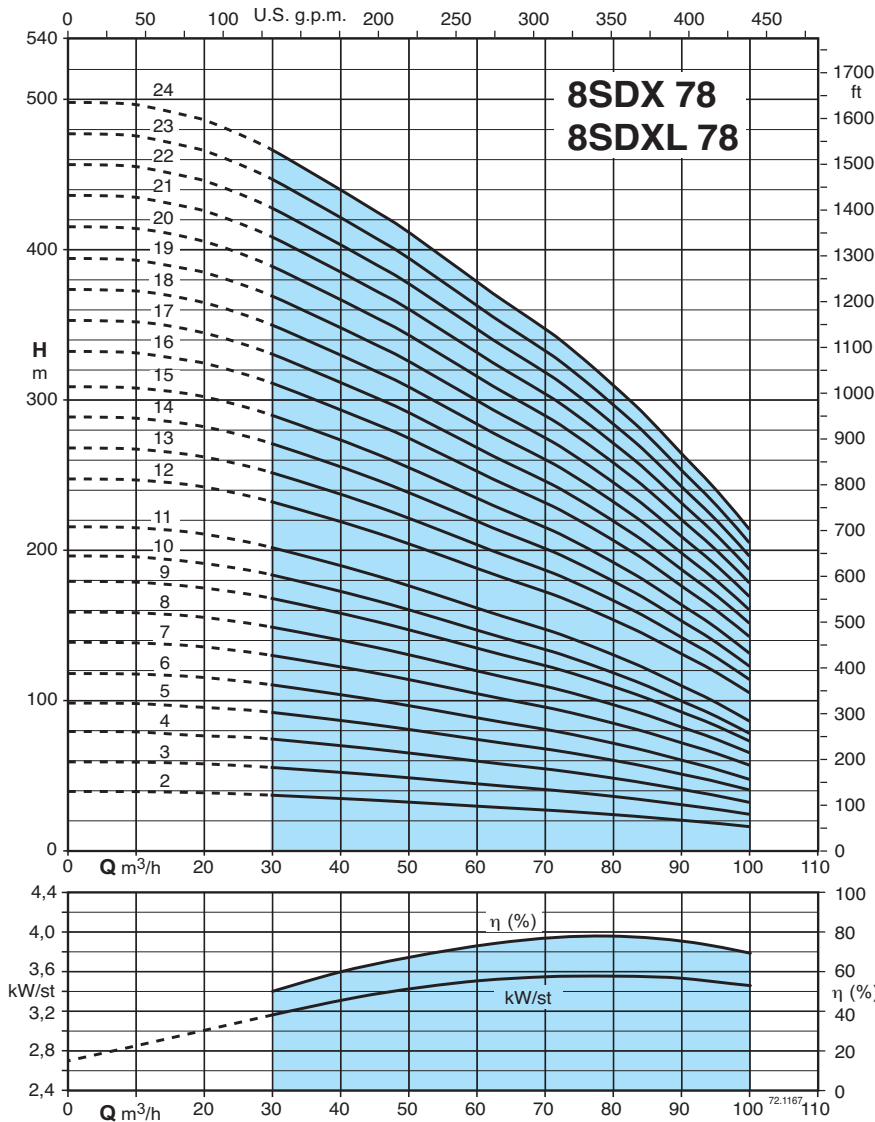
Reinforced with special collar from 6SDX(L) 65/27

# 8SDX(L) 78

Submersible borehole pumps for 8" wells



## Characteristic curves, performance $n \approx 2900$ rpm, dimensions and weights



3 ~	P <sub>2</sub>		Q	n ≈ 2900 rpm										DN	Motor		f	8SDXL		
	kW	HP		H <sub>m</sub>											CS-R	FK			mm	kg
				0	30	40	50	60	70	80	90	100	100							
8SDX 78/2 - 8SDXL 78/2	7,5	10	l/min	0	500	666	833	1000	1166	1333	1500	1666								
8SDX 78/3 - 8SDXL 78/3	11	15		39,9	37,1	34,9	32,6	29,7	27,1	24,3	20,4	16,3					644	31,5		
8SDX 78/4 - 8SDXL 78/4	15	20		59,8	55,7	52,3	48,9	44,6	40,7	36,4	30,6	24,4					770	36,5		
8SDX 78/5 - 8SDXL 78/5	18,5	25		79,7	74,3	69,7	65,1	59,4	54,3	48,6	40,9	32,6					896	41,5		
8SDX 78/6 - 8SDXL 78/6	22	30		99,6	92,9	87,1	81,4	74,3	67,9	60,7	51,1	40,7					1022	46,5		
8SDX 78/7 - 8SDXL 78/7	26 (30)	35 (40)		120	111	105	97,7	89,1	81,4	72,9	61,3	48,9					1148	51		
8SDX 78/8 - 8SDXL 78/8	30	40		140	130	122	114	104	95	85	71,5	57					1274	56		
8SDX 78/9 - 8SDXL 78/9	37	50		156	146	138	128	117	107	94,5	80	63,3					1400	61		
8SDX 78/10 - 8SDXL 78/10	37	50		176	164	155	144	132	120	106	90	71,2					1526	66		
8SDX 78/11 - 8SDXL 78/11	45	60		195	183	173	160	147	134	118	100	79,1					1652	71		
8SDX 78/12 - 8SDXL 78/12	45	60		215	201	190	176	162	147	130	110	87					1778	76		
8SDX 78/13 - 8SDXL 78/13	51 (55)	70 (75)		248	232	218	203	187	171	154	130	105					1909	82		
8SDX 78/14 - 8SDXL 78/14	51 (55)	70 (75)		268	251	237	220	203	185	166	141	114					2035	87		
8SDX 78/15 - 8SDXL 78/15	55	75		289	271	255	237	218	200	179	152	122					2161	92		
8SDX 78/16 - 8SDXL 78/16	59 (75)	80 (100)		310	290	273	254	234	214	192	163	131					2287	97		
8SDX 78/17 - 8SDXL 78/17	66 (75)	90 (100)		332	312	293	274	252	232	206	176	143					2413	101,5		
8SDX 78/18 - 8SDXL 78/18	66 (75)	90 (100)		353	332	311	292	268	247	219	187	152					2539	106,5		
8SDX 78/19 - 8SDXL 78/19	75	100		374	351	329	309	284	261	232	198	161					2665	111,5		
8SDX 78/20 - 8SDXL 78/20	75	100		394	371	348	326	299	276	245	209	170					2791	116,5		
8SDX 78/21 - 8SDXL 78/21	75	100		415	390	366	343	315	290	258	220	179					2917	121		
8SDX 78/22 - 8SDXL 78/22	92	125		436	409	385	361	331	304	271	231	187					3043	126		
8SDX 78/23 - 8SDXL 78/23	92	125		457	428	403	378	347	318	284	242	196					3169	131		
8SDX 78/24 - 8SDXL 78/24	92	125		478	448	422	395	363	333	297	253	205					3295	136		
				499	467	440	412	379	347	310	264	214					3421	141		

P<sub>2</sub> Rated motor power output

(...) FK motor rated power output

H Total head in m

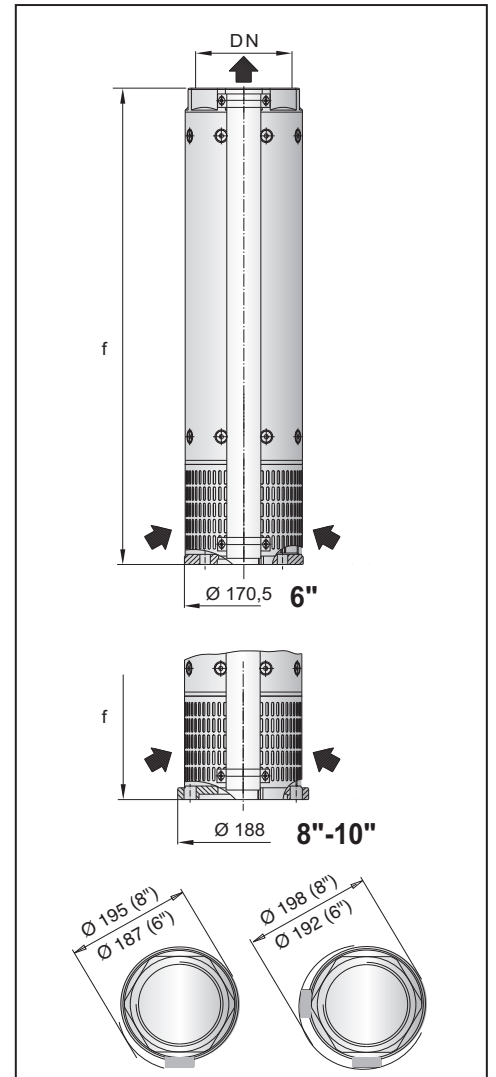
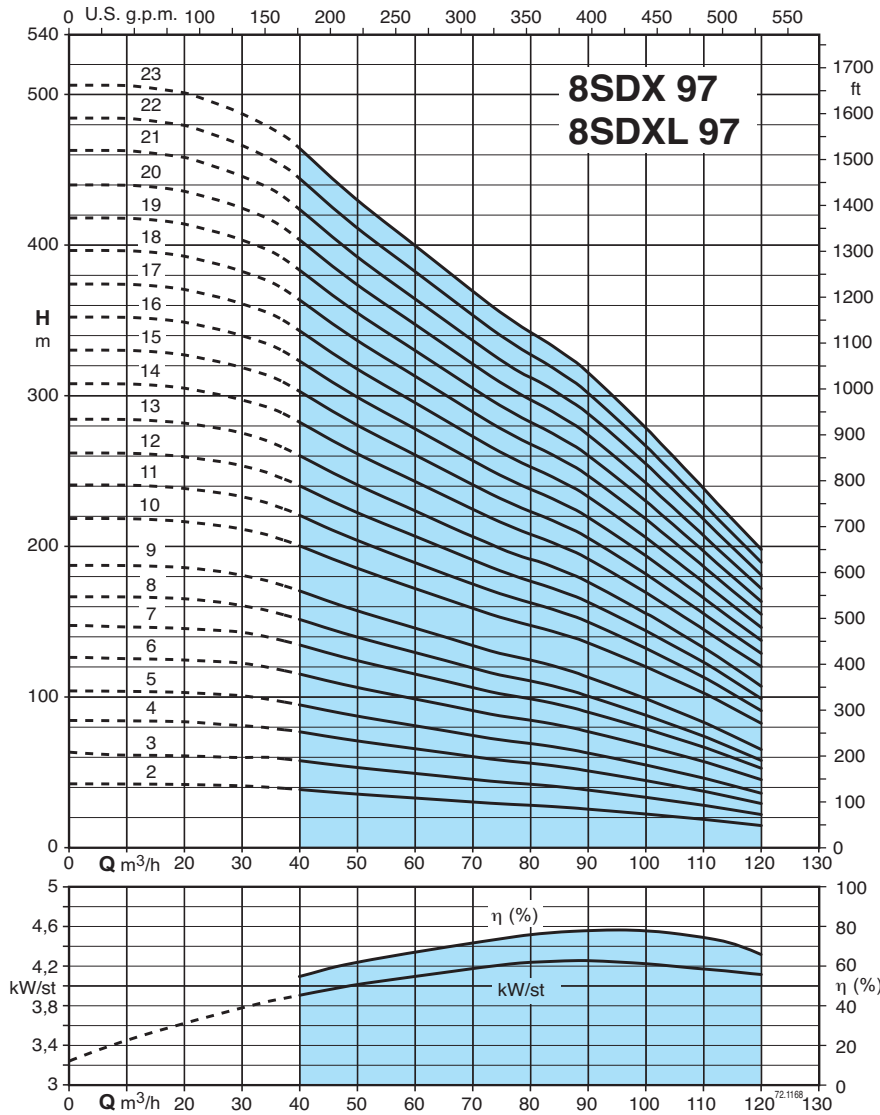
Tolerances according to UNI EN ISO 9906:2012

# 8SDX(L) 97

Submersible borehole pumps for 8" wells



## Characteristic curves, performance $n \approx 2900$ rpm, dimensions and weights



3 ~	P <sub>2</sub>		Q	n $\approx$ 2900 rpm											Motor				
	kW	HP		H m											DN	CS-R mm	FK mm	f mm	8SDXL kg
				m <sup>3</sup> /h															
				0	40	50	60	70	80	90	100	110	120						
				0	666	833	1000	1166	1333	1500	1666	1833	2000						
				0	666	833	1000	1166	1333	1500	1666	1833	2000						
8SDX 97/2 - 8SDXL 97/2	9,2	12,5	H m	41,2	38,6	35,2	32,2	29,8	27,8	24,8	21,8	18,6	14,8	Rp 5"	145 6"	137 6"	644	31,5	
8SDX 97/3 - 8SDXL 97/3	13 (15)	17,5 (20)		61,8	57,9	52,8	48,3	44,7	41,7	37,2	32,7	27,9	22,2				770	36,5	
8SDX 97/4 - 8SDXL 97/4	18,5	25		82,4	77,2	70,4	64,4	59,6	55,6	49,6	43,6	37,2	29,6				896	41,5	
8SDX 97/5 - 8SDXL 97/5	22	30		103	96,5	88	80,5	74,5	69,5	62	54,5	46,5	37				1022	46	
8SDX 97/6 - 8SDXL 97/6	26 (30)	35 (40)		125	113	105	96,7	89	82,7	75	66,3	55	44				1148	51	
8SDX 97/7 - 8SDXL 97/7	30	40		146	132	123	113	104	96,4	87,5	77,4	64,2	51,3				1274	56	
8SDX 97/8 - 8SDXL 97/8	37	50		167	151	140	129	119	110	100	88,4	73,3	58,7				1400	61	
8SDX 97/9 - 8SDXL 97/9	37	50		188	170	158	145	134	124	113	99,5	82,5	66				1526	66	
8SDX 97/10 - 8SDXL 97/10	45	60		219	200	185	172	158	147	135	119	102	83,1				1657	72	
8SDX 97/11 - 8SDXL 97/11	51 (55)	70 (75)		241	220	204	189	174	162	149	131	112	91,4				1783	77	
8SDX 97/12 - 8SDXL 97/12	51 (55)	70 (75)		263	240	222	206	190	176	162	143	122	99,7				1909	82	
8SDX 97/13 - 8SDXL 97/13	55	75		285	260	241	223	206	191	176	155	132	108		2035	87			
8SDX 97/14 - 8SDXL 97/14	59 (75)	80 (100)		309	281	262	242	224	208	191	169	144	120		2161	92			
8SDX 97/15 - 8SDXL 97/15	66 (75)	90 (100)		331	302	279	261	240	222	205	182	156	129		2287	97			
8SDX 97/16 - 8SDXL 97/16	75	100		353	322	298	278	256	237	219	194	166	138		2413	102			
8SDX 97/17 - 8SDXL 97/17	75	100		375	342	317	295	272	251	233	206	176	147		2539	106,5			
8SDX 97/18 - 8SDXL 97/18	92	125		397	362	335	313	288	266	246	218	187	155		2665	111,5			
8SDX 97/19 - 8SDXL 97/19	92	125		419	382	354	330	304	281	260	230	197	164		2791	116,5			
8SDX 97/20 - 8SDXL 97/20	92	125		440	403	374	348	322	298	274	244	209	173		2917	121			
8SDX 97/21 - 8SDXL 97/21	92	125		462	424	393	365	338	313	288	257	219	182		3043	126			
8SDX 97/22 - 8SDXL 97/22	110	150		484	444	411	383	354	328	301	269	230	190		3169	131			
8SDX 97/23 - 8SDXL 97/23	110	150		507	464	430	400	370	343	315	281	240	199		3295	136			
																240 10"			

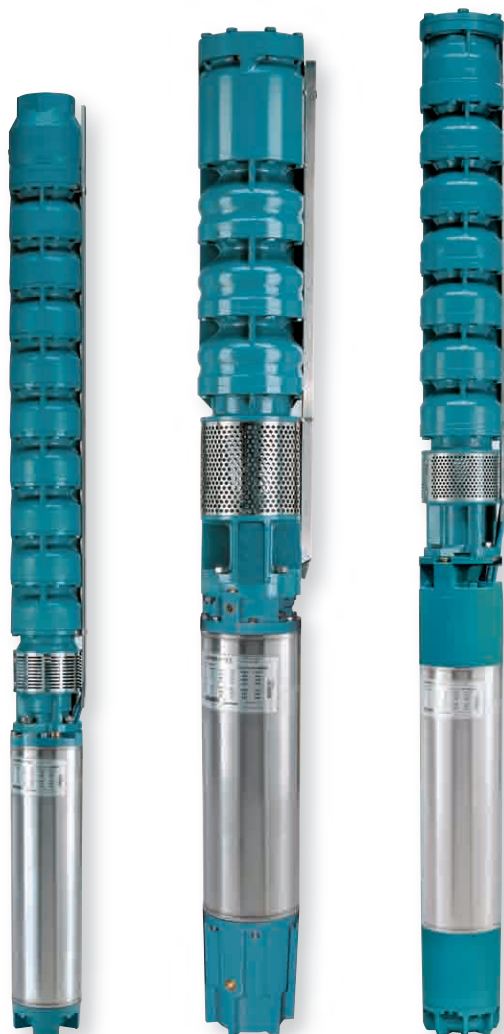
P<sub>2</sub> Rated motor power output

(...) FK motor rated power output

H Total head in m

Tolerances according to UNI EN ISO 9906:2012





### Construction

Submersible borehole pumps for 6" wells (DN 150 mm), 8" (DN 200 mm) and 10" (DN 250 mm), with stages in cast iron or in bronze, on request.

**Impellers:** - mixed flow impellers.

**Connection:** - screwed connection ISO 228 for 6SDS;  
- flange with counter-flange for welding for 8SDS and 10SDS

Delivery casing with built-in non-return valve.

### Applications

For water supply.  
For civil and industrial applications.  
For fire fighting applications.  
For irrigation.

### Operating conditions

Liquid temperature up to a 25 °C.  
Max. sand quantity into the water: 150 g/m<sup>3</sup> (300 g/m<sup>3</sup> high percentage of solids and sand).  
Continuous duty.

### Rewindable motor CS, CS-R series

2-pole induction motor, 50 Hz (n ≈ 2900 rpm).  
With water wetted winding in rewindable execution.  
Sized for connection to the pumps according to NEMA Standards.  
Standard voltages:  
- three-phase 400 V; 400/690 V.  
Voltage tolerance : +6% / -10%.

In order to limit both current and torque at each starting, for rated motor powers equal to or higher than 7.5kW, one of the following types of starting is necessary: star/delta, soft starter, stator impedance or autotransformer.  
Insulation class E for 6-8" motors, PVC coated wire for 10" motors.  
Motor suitable operation with frequency converter.  
Protection IP 68.

### Operating conditions motor

Motor	Max. Liquid temperature	Cooling: minimum flow velocity	Max. starts per hour	Motor P2	
6CS-R	30 °C	0,1 m/s	15	4÷11 kW	
		0,2 m/s	15	13÷15 kW	
	25 °C	0,2 m/s	15	18,5 kW	
		0,2 m/s	13	22÷30 kW	
		40 °C	0,1 m/s	13	37 kW
			0,3 m/s	6	45 kW
8CS-R	25 °C	0,3 m/s	10	30÷45 kW	
			8	51÷75 kW	
			6	92 kW	
10CS	25 °C	0,50 m/s	10	all types	

### Special features on request

- Other voltages.
- 60 Hz frequency.
- Other temperatures.
- Encapsulated motor **FK series**.

### Designation

B 10 SDS 190 / 6

Bronze construction (on request)

Ø of the well in inches

Series

Stage identification

Number of stages

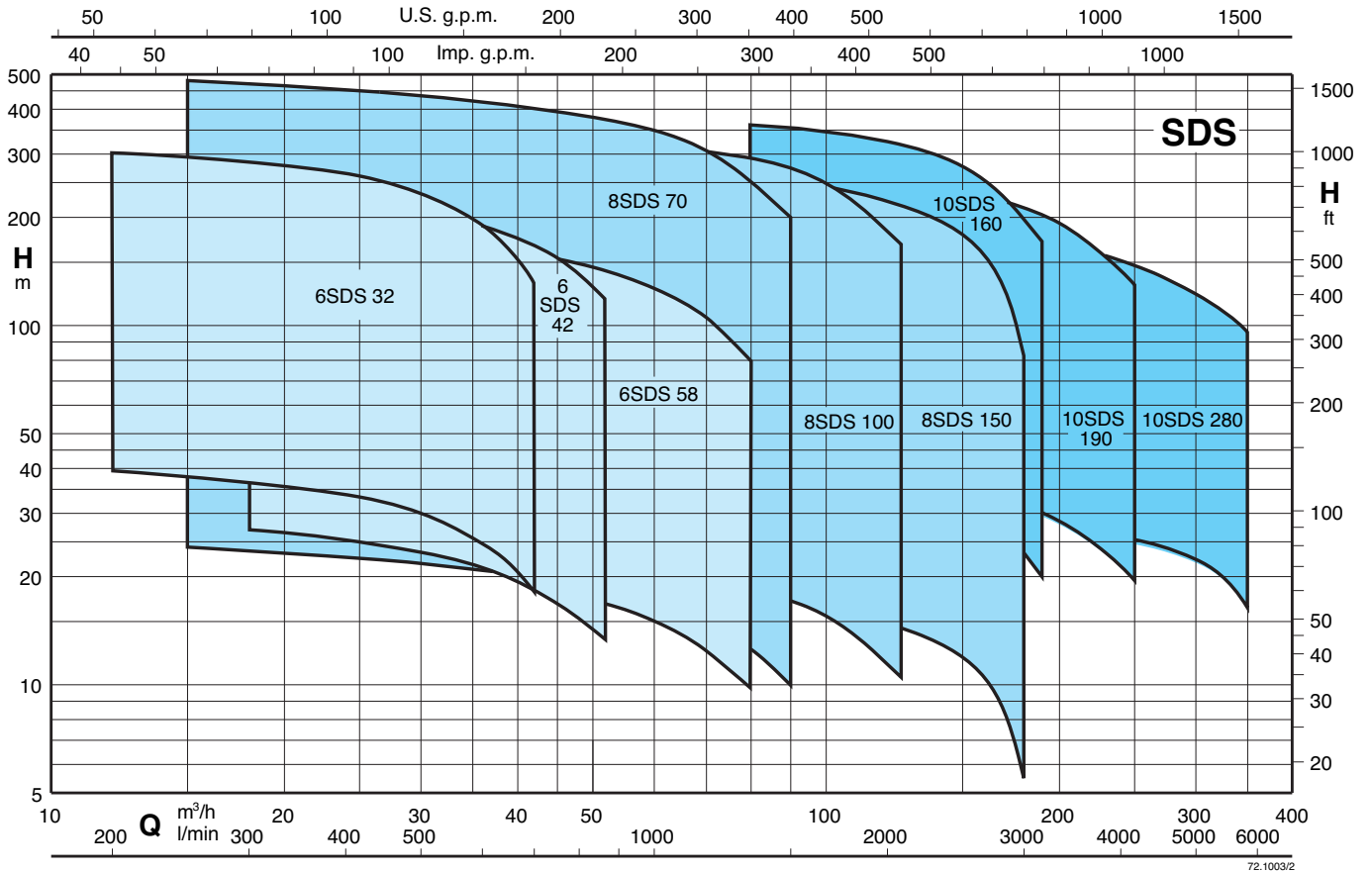
### Materials

Components	Part Nr.	6, 8, 10SDS	B-6, B-8, B-10SDS
Stage casing	25.02	Cast iron GJL 200 EN 1561	Bronze
Diffuser	26.00		G-Cu Sn 10 EN 1982
Impeller	28.00		
Wear ring		Rubber (Bronze for 10SDS 190-280)	
Shaft	64.00	Steel AISI F51duplex	
Shaft sleeve	64.08	Brass with chromate surface treatment (only for 10SDS)	
Delivery casing	12.01	Cast iron GJL 200 EN 1561	Bronze
Suction lantern	32.02		G-Cu Sn 10 EN 1982
Bearing bush	12.03-12.30	Rubber	
Strainer	15.50	Cr-Ni steel	AISI 304
Screws		Cr-Ni steel	AISI 304

### CS, CS-R Motor

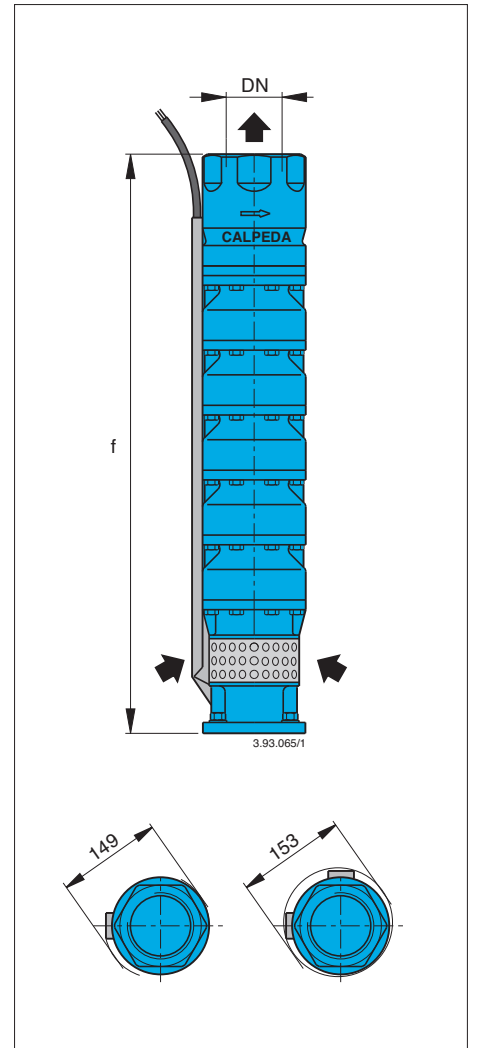
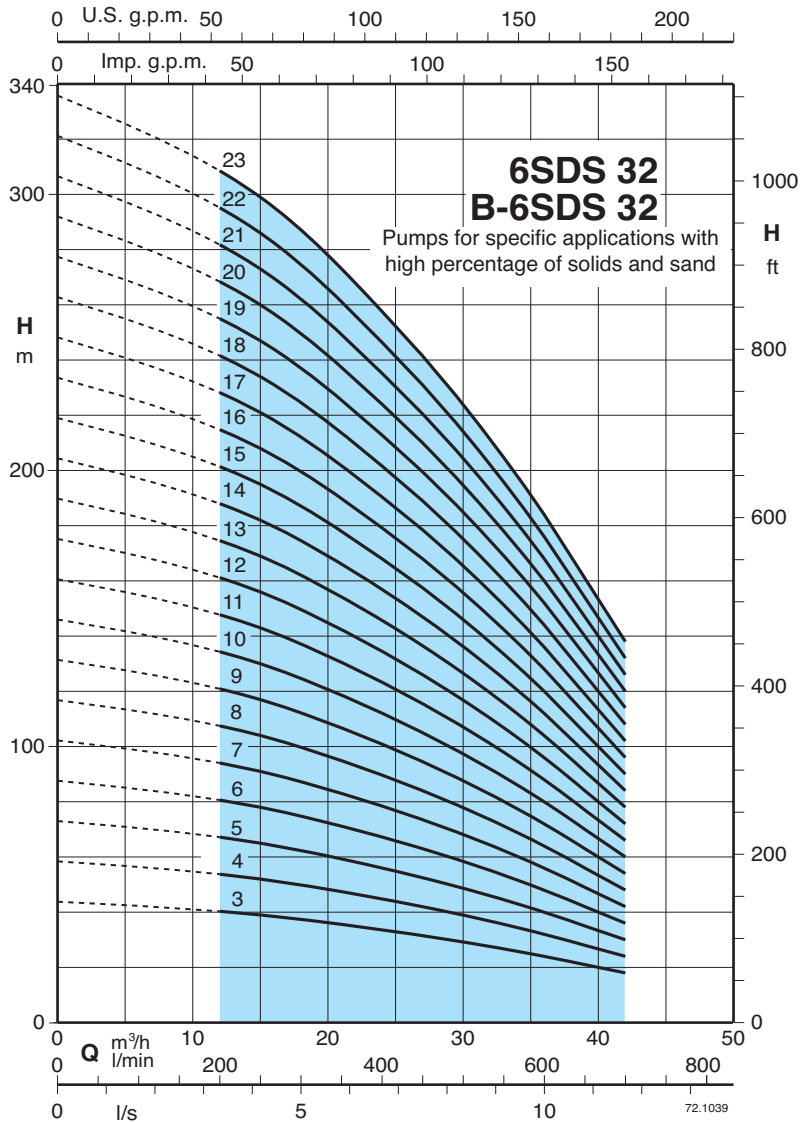
Components	CS-R 6", 8", CS 10" standard	I-CS-R 6", 8", I-CS 10" AISI 316
External frame	AISI 304 (AISI 316Ti for 10")	Cr-Ni-Mo steel AISI 316 Ti
Motor flange	Cast iron GJL 200 EN 1561	Cr-Ni-Mo steel AISI 316
Shaft end	Steel AISI 431 (AISI 329 for 10")	AISI 316 (AISI 630 from 30 to 93kW) (AISI 429 for 10")
Thrust bearing	Oscillating pads	Oscillating pads
Bushings	Graphite (Bronze for 8" motor)	Graphite (Bronze for 8" motor)

Coverage chart  $n \approx 2900$  rpm





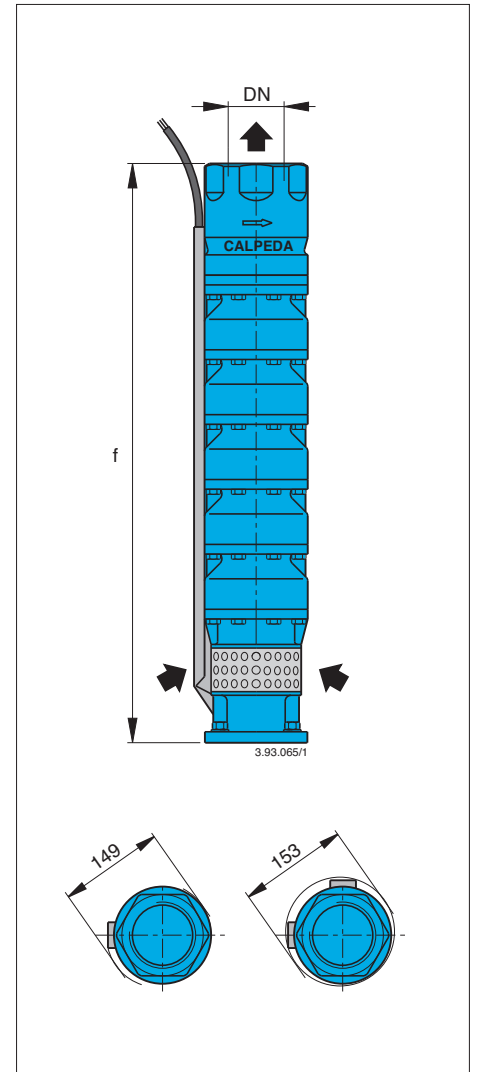
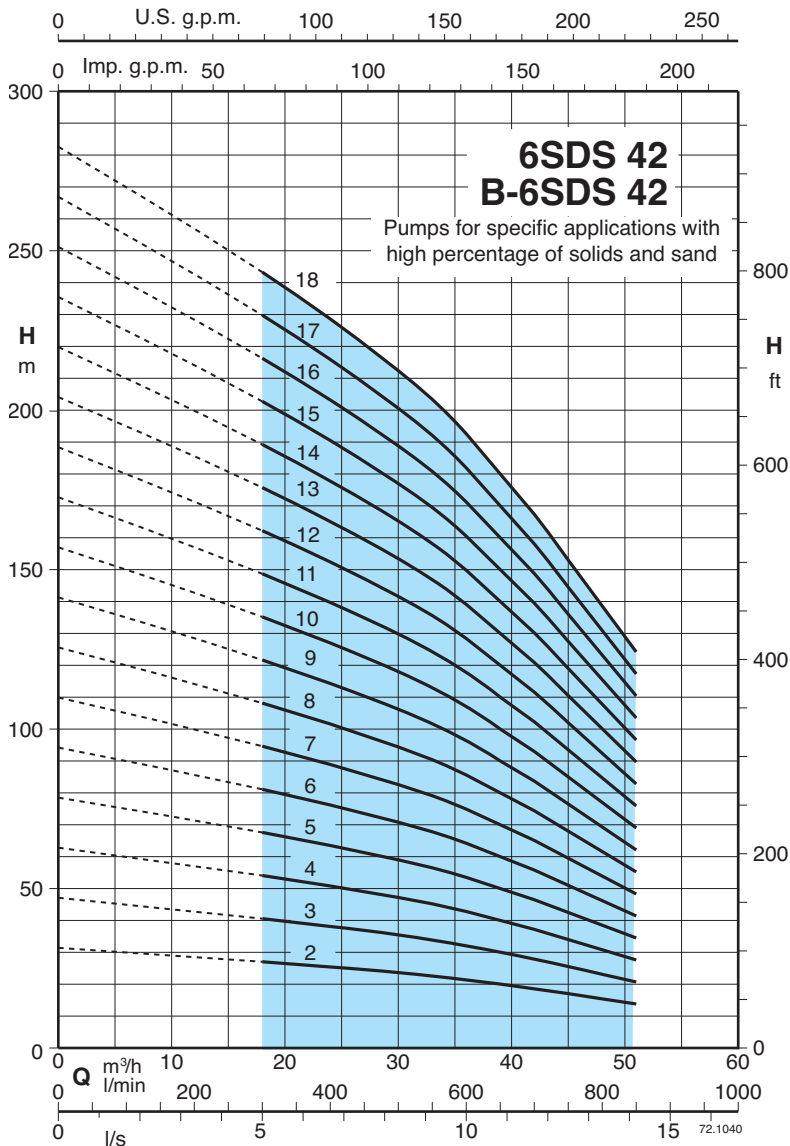
### Characteristic curves, performance $n \approx 2900$ rpm, dimensions and weights



3 ~	P <sub>2</sub>		Q	n ≈ 2900 rpm																						
	kW	HP		H m																						
				m <sup>3</sup> /h		l/min		200		300		350		400		450		500		550		600		650		700
6SDS 32/3 - B-6SDS 32/3	4	5,5	39	37	35,5	33,5	31,5	30	26,5	24	21	18														
6SDS 32/4 - B-6SDS 32/4	5,5	7,5	52	49	47	45	42	39,5	35,5	32	28	24														
6SDS 32/5 - B-6SDS 32/5	7,5	10	65	61,5	59	56	52,5	49,5	44,5	40	35	30														
6SDS 32/6 - B-6SDS 32/6	7,5	10	78	74	71	67	63	59,5	53,5	48	42	36														
6SDS 32/7 - B-6SDS 32/7	9,2	12,5	92	86	82,5	78,5	73,5	69	62	56	49	42														
6SDS 32/8 - B-6SDS 32/8	11	15	105	98,5	94,5	89,5	84	79	71	64	56	48														
6SDS 32/9 - B-6SDS 32/9	13 (15)	17,5 (20)	118	111	106	101	94,5	89	80	72	63	54														
6SDS 32/10 - B-6SDS 32/10	13 (15)	17,5 (20)	131	123	118	112	105	99	89	80	70	60														
6SDS 32/11 - B-6SDS 32/11	15	20	144	135	130	123	115	109	98	88	77	66														
6SDS 32/12 - B-6SDS 32/12	15	20	157	147	141	134	126	119	107	96	84	72														
6SDS 32/13 - B-6SDS 32/13	18,5	25	170	160	153	145	136	129	116	104	91	78														
6SDS 32/14 - B-6SDS 32/14	18,5	25	183	172	165	157	147	138	124	112	98	84														
6SDS 32/15 - B-6SDS 32/15	22	30	196	184	177	168	157	148	133	120	105	90														
6SDS 32/16 - B-6SDS 32/16	22	30	209	197	189	179	168	158	142	128	112	96														
6SDS 32/17 - B-6SDS 32/17	22	30	223	209	200	190	178	168	151	136	119	102														
6SDS 32/18 - B-6SDS 32/18	26 (30)	35 (40)	236	221	212	201	189	178	160	144	126	108														
6SDS 32/19 - B-6SDS 32/19	26 (30)	35 (40)	246	234	224	213	199	188	169	152	133	114														
6SDS 32/20 - B-6SDS 32/20	26 (30)	35 (40)	262	246	236	224	210	198	178	160	140	120														
6SDS 32/21 - B-6SDS 32/21	26 (30)	35 (40)	275	258	248	235	220	208	187	168	147	126														
6SDS 32/22 - B-6SDS 32/22	30	40	288	270	259	246	231	218	196	176	154	132														
6SDS 32/23 - B-6SDS 32/23	30	40	301	283	271	257	241	228	205	184	161	138														

DN	f	6SDS	B-6SDS
	mm	kg	kg
G 3 ISO 228	686	30,5	35,5
	788	35,6	41,6
	890	41	49
	992	46	55
	1094	52,3	62,3
	1196	57	68
	1298	62,5	74,5
	1400	68,5	81,5
	1502	72,5	86,5
	1604	77,5	93,5
	1706	84	101
	1808	89	108
	1910	94,2	112
	2012	100	119
	2114	105	125
	2216	111	132
2318	116	139	
2420	122	145	
2522	127	151	
2624	132	157	
2726	137	164	

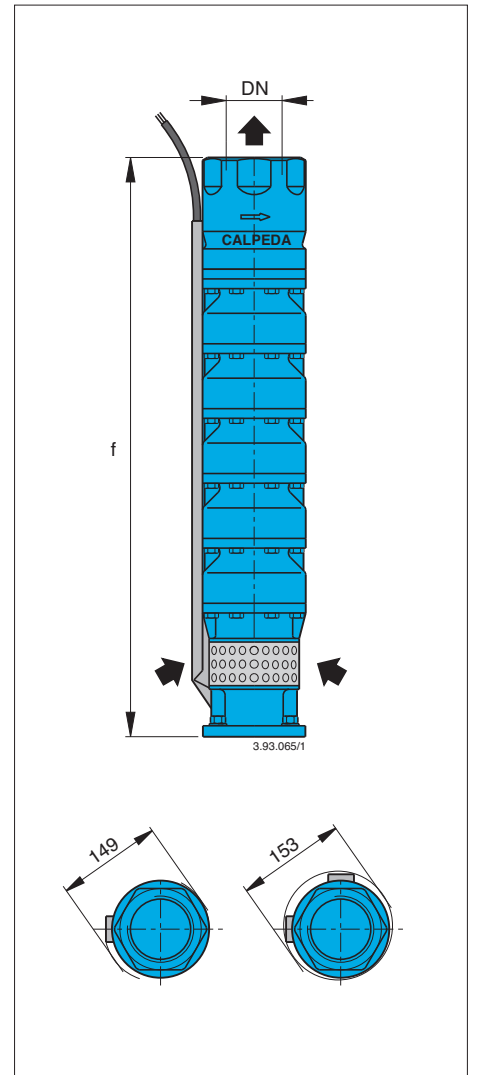
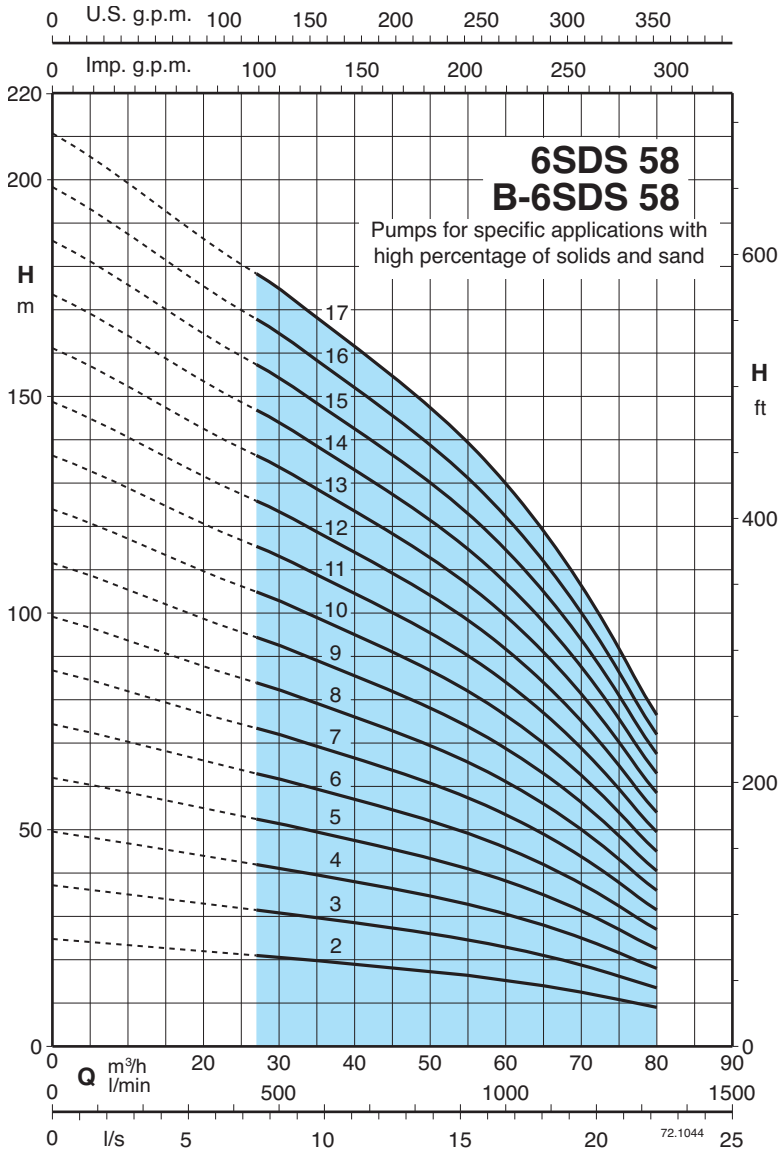
### Characteristic curves, performance $n \approx 2900$ rpm, dimensions and weights



3 ~	P <sub>2</sub>		Q	n ≈ 2900 rpm																				
				H																				
				m³/h	18	24	30	33	36	39	42	45	48	51										
	kW	HP	l/min	300	400	500	550	600	650	700	750	800	850											
6SDS 42/2 - B-6SDS 42/2	4	5,5		27	25,5	23,5	22,5	21,5	20	18,5	17	15,5	14											
6SDS 42/3 - B-6SDS 42/3	5,5	7,5		40	38	35,5	34	32	30	28	25,5	23	21											
6SDS 42/4 - B-6SDS 42/4	7,5	10		53,5	51	47	45	43	40	37	34	31	27,5											
6SDS 42/5 - B-6SDS 42/5	9,2	12,5		67	63,5	59	56,5	53,5	50	46,5	42,5	38,5	34,5											
6SDS 42/6 - B-6SDS 42/6	11	15		80,5	76	71	68	64	60	56	51	46	41,5											
6SDS 42/7 - B-6SDS 42/7	13 (15)	17,5 (20)		94	89	82,5	79	75	70	65	59,5	54	48											
6SDS 42/8 - B-6SDS 42/8	15	20		107	101	94,5	90,5	85,5	80	74,5	68	61,5	55											
6SDS 42/9 - B-6SDS 42/9	15	20		120	114	106	102	96	90	84	76,5	69	62											
6SDS 42/10 - B-6SDS 42/10	18,5	25		134	127	118	113	107	100	93	85	77	69											
6SDS 42/11 - B-6SDS 42/11	18,5	25		147	140	130	124	118	110	102	93,5	85	76											
6SDS 42/12 - B-6SDS 42/12	22	30		161	152	141	135	128	120	111	102	92,5	83											
6SDS 42/13 - B-6SDS 42/13	22	30		174	165	153	147	139	130	121	110	100	90											
6SDS 42/14 - B-6SDS 42/14	26 (30)	35 (40)		187	178	165	158	150	140	130	119	108	96,5											
6SDS 42/15 - B-6SDS 42/15	26 (30)	35 (40)		201	190	177	169	160	150	139	127	115	103											
6SDS 42/16 - B-6SDS 42/16	30	40		214	203	189	181	171	160	149	136	123	110											
6SDS 42/17 - B-6SDS 42/17	30	40		228	216	200	192	182	170	158	144	131	117											
6SDS 42/18 - B-6SDS 42/18	30	40		241	228	212	203	192	180	167	153	138	124											

DN	f	6SDS	B-6SDS
	mm	kg	kg
G 3 ISO 228	584	25,5	29,5
	686	31,6	36,6
	788	36	42
	890	40,3	48,3
	992	47	59
	1094	50,5	65,5
	1196	55,5	66,5
	1298	62,5	74,5
	1400	69	81
	1502	74	86
	1604	79,2	94,2
	1706	83,2	99,2
	1808	91,4	106
	1910	96,4	113
	2012	101	119
2114	106	126	
2216	111	132	

## Characteristic curves, performance $n \approx 2900$ rpm, dimensions and weights



3 ~	P <sub>2</sub>		Q	n ≈ 2900 rpm											
	kW	HP		H											
				m <sup>3</sup> /h	27	35	40	45	50	55	60	65	70	75	80
6SDS 58/2 - B-6SDS 58/2	4	5,5	l/min	450	583	666	750	833	916	1000	1083	1166	1250	1333	
6SDS 58/3 - B-6SDS 58/3	5,5	7,5	H m	21	20	19	18	17	16,5	15,5	14	12,5	11	9	
6SDS 58/4 - B-6SDS 58/4	7,5	10		32	30	28,5	27	26	24,5	23	21	18,5	16	13,5	
6SDS 58/5 - B-6SDS 58/5	9,2	12,5		42,5	39,5	38	36	34,5	33	31	28	25	21,5	18	
6SDS 58/6 - B-6SDS 58/6	11	15		53	49,5	47,5	45	43	41	38,5	35	31	27	22,5	
6SDS 58/7 - B-6SDS 58/7	13 (15)	17,5 (20)		63,5	59,5	57	54	51,5	49	46	42	37	32,5	27	
6SDS 58/8 - B-6SDS 58/8	15	20		74	69,5	66,5	63	60	57,5	54	49	43,5	38	31,5	
6SDS 58/9 - B-6SDS 58/9	18,5	25		85	79	76	72	69	66	62	56	49,5	43	36	
6SDS 58/10 - B-6SDS 58/10	18,5	25		95,5	89	85,5	81	77,5	74	69,5	63	56	49	40,5	
6SDS 58/11 - B-6SDS 58/11	22	30		106	99	95	90	86	82	77	70	62	54	45	
6SDS 58/12 - B-6SDS 58/12	22	30		117	109	104	99	94,5	90	85	77	68	59,5	49,5	
6SDS 58/13 - B-6SDS 58/13	26 (30)	35 (40)		127	119	114	108	103	100	94,5	86,5	76,5	66,5	55,5	
6SDS 58/14 - B-6SDS 58/14	26 (30)	35 (40)		138	129	123	117	112	107	100	91	80,5	70	58,5	
6SDS 58/15 - B-6SDS 58/15	30	40		148	139	133	126	120	115	108	98	87	75,5	63	
6SDS 58/16 - B-6SDS 58/16	30	40		159	148	142	135	129	123	115	105	93	81	67,5	
6SDS 58/17 - B-6SDS 58/17	30	40		170	158	152	144	138	131	123	112	99	86,5	72	
					180	168	162	153	146	139	131	119	105	92	76,5

DN	f	6SDS	B-6SDS
	mm	kg	kg
G 4 ISO 228	584	26,5	29,5
	686	31,6	36,6
	788	37	43
	890	43,3	50,3
	992	48	57
	1094	53,5	63,5
	1196	59,5	70,5
	1298	65	77
	1400	71	84
	1502	76,2	90,2
	1604	82,2	97,2
	1706	87,4	104
	1808	93,4	111
1910	99,4	118	
2012	104	124	
2114	110	131	

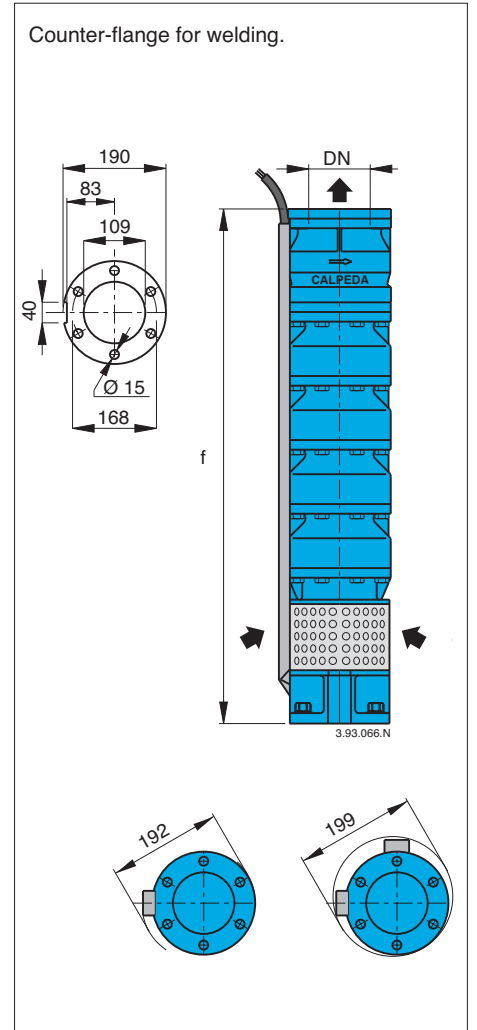
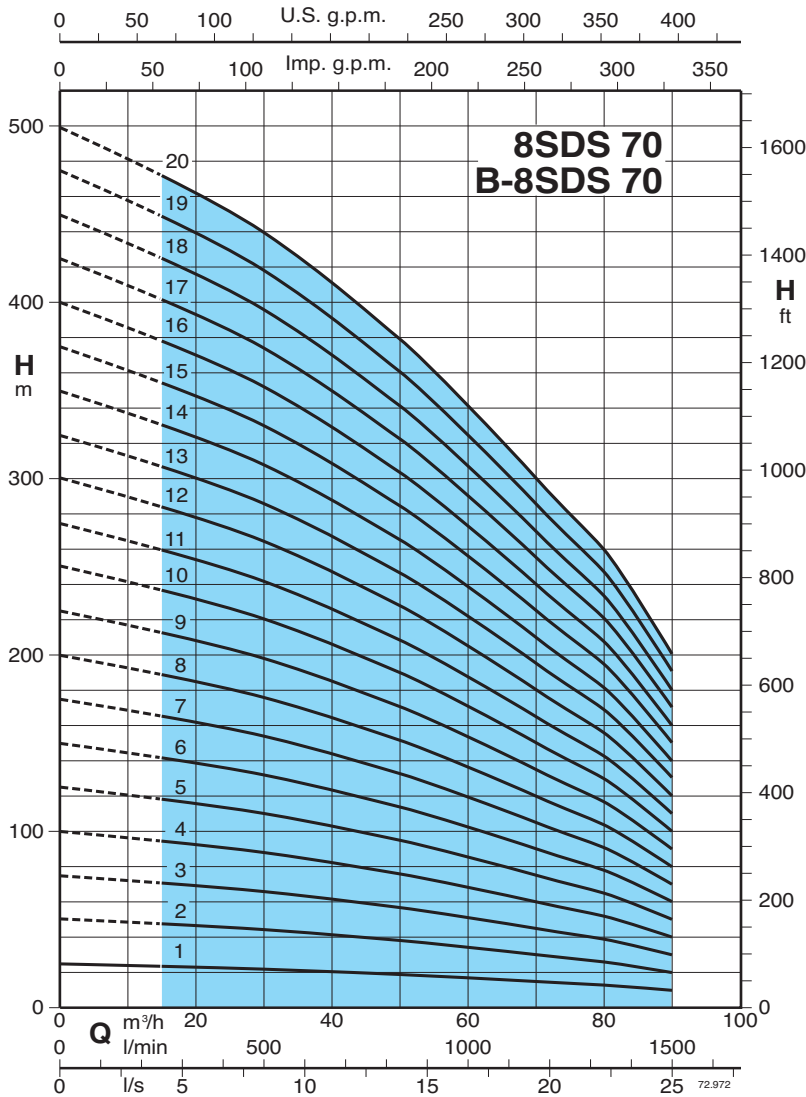
P<sub>2</sub> Rated motor power output

(...) FK motor rated power output

H Total head in m

Tolerances according to UNI EN ISO 9906:2012

**Characteristic curves, performance  $n \approx 2900$  rpm, dimensions and weights**



3 ~	P <sub>2</sub>		Q	n ≈ 2900 rpm										
	kW	HP		m³/h	15	20	30	40	50	60	70	80	90	
					l/min	250	333	500	666	833	1000	1166	1333	1500
8SDS 70/1 - B-8SDS 70/1	5,5	7,5	H m	23,5	23	22	20,5	19	17	15	13	10		
8SDS 70/2 - B-8SDS 70/2	9,2	12,5		47	46	44	41	38	34	30	26	20		
8SDS 70/3 - B-8SDS 70/3	15	20		70,5	69	66	61,5	57	51	45	39	30		
8SDS 70/4 - B-8SDS 70/4	18,5	25		94	92	88	82	76	68	60	52	40		
8SDS 70/5 - B-8SDS 70/5	22	30		118	115	110	102	95	85	75	65	50		
8SDS 70/6 - B-8SDS 70/6	26 (30)	35 (40)		141	138	132	123	114	102	90	78	60		
8SDS 70/7 - B-8SDS 70/7	30	40		165	161	154	143	133	119	105	91	70		
8SDS 70/8 - B-8SDS 70/8	37	50		188	184	176	164	152	136	120	104	80		
8SDS 70/9 - B-8SDS 70/9	45	60		212	207	198	184	171	153	135	117	90		
8SDS 70/10 - B-8SDS 70/10	45	60		235	230	220	205	190	170	150	130	100		
8SDS 70/11 - B-8SDS 70/11	51 (55)	70 (75)		259	253	242	225	209	187	165	143	110		
8SDS 70/12 - B-8SDS 70/12	55	75		282	276	264	246	228	204	180	156	120		
8SDS 70/13 - B-8SDS 70/13	59 (75)	80 (100)		306	299	286	266	247	221	195	169	130		
8SDS 70/14 - B-8SDS 70/14	59 (75)	80 (100)		329	322	308	287	266	238	210	182	140		
8SDS 70/15 - B-8SDS 70/15	66 (75)	90 (100)		353	345	330	307	285	255	225	195	150		
8SDS 70/16 - B-8SDS 70/16	75	100		376	368	352	328	304	272	240	208	160		
8SDS 70/17 - B-8SDS 70/17	75	100		400	391	374	348	323	289	255	221	170		
8SDS 70/18 - B-8SDS 70/18	92	125		423	414	396	369	342	306	270	234	180		
8SDS 70/19 - B-8SDS 70/19	92	125		447	437	418	389	361	323	285	247	190		
8SDS 70/20 - B-8SDS 70/20	92	125		470	460	440	410	380	340	300	260	200		

DN	Motor		f	8SDS	B-8SDS
	CS-R mm	FK mm			
100	145 6"	137 6"	602	38	43
			734	49	55,5
			866	60	68
			998	71,5	80,5
			1130	82,5	93
	1262	93,5	106		
	1394	105	118		
	1526	116	131		
	1658	127	143		
	1790	138	156		
191 8"	196 8"	1922	149	168	
		2054	160	181	
		2186	171	194	
		2318	182	206	
		2450	193	219	
2582	205	231			
2714	216	244			
2846	227	256			
2978	238	269			
3110	249	281			

P<sub>2</sub> Rated motor power output

(...) FK motor rated power output

H Total head in m

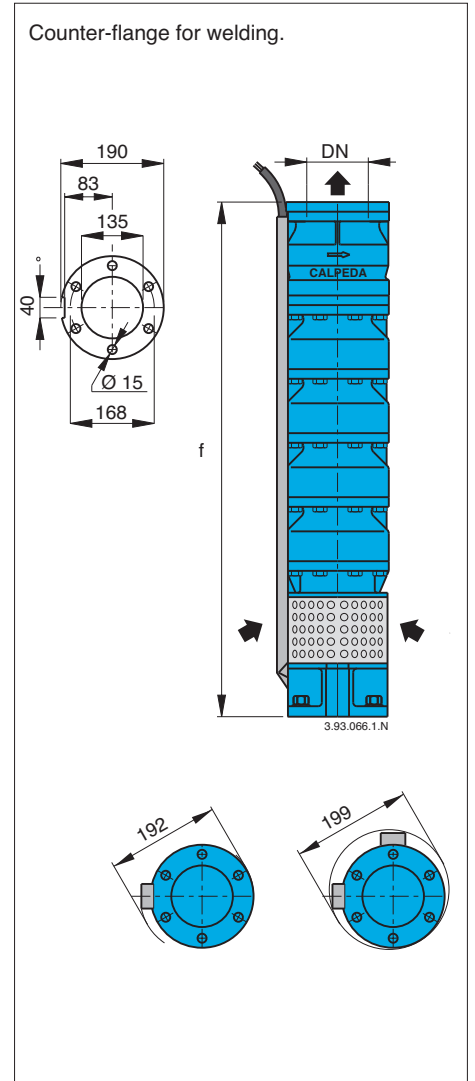
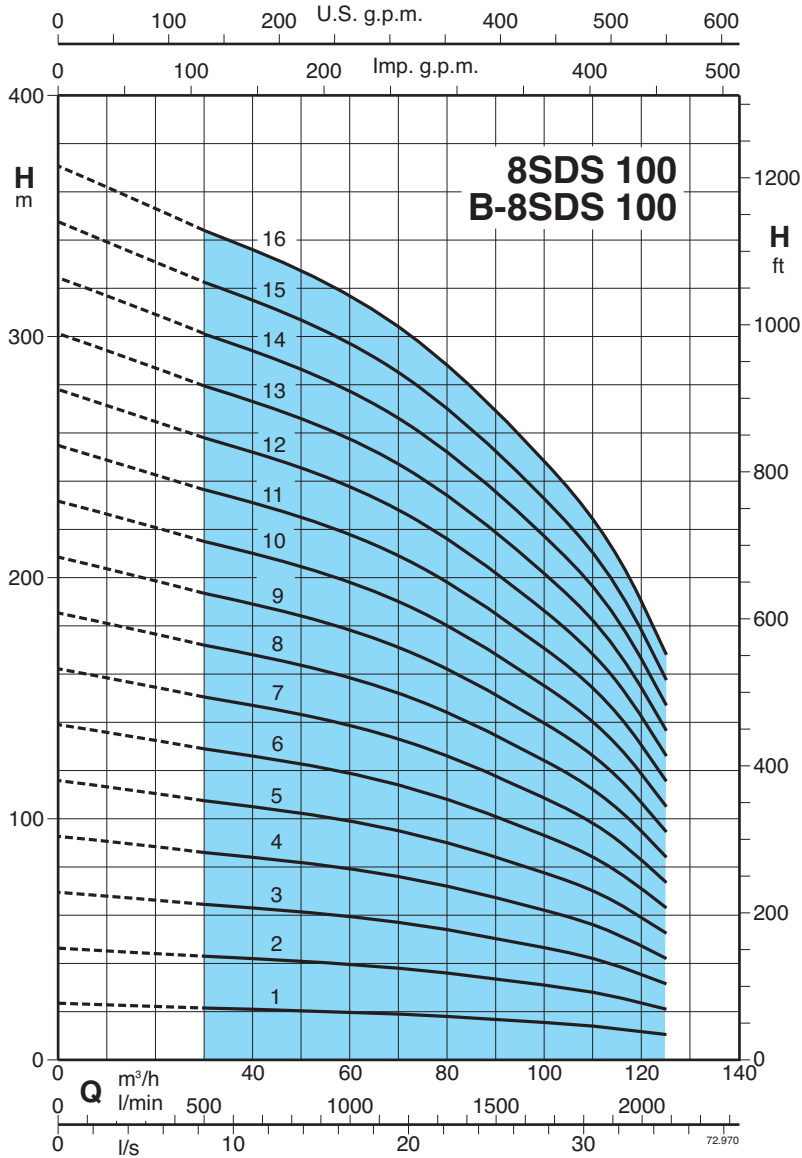
Tolerances according to UNI EN ISO 9906:2012

# 8SDS 100

Submersible borehole pumps for 8" wells



## Characteristic curves, performance $n \approx 2900$ rpm, dimensions and weights



3 ~	P <sub>2</sub>		Q	n ≈ 2900 rpm											
	kW	HP		m <sup>3</sup> /h	30	40	50	60	70	80	90	100	110	125	
				l/min	500	666	833	1000	1166	1333	1500	1666	1833	2083	
8SDS 100/1 - B-8SDS 100/1	5,5	7,5	H m	21,5	21	20,5	20	19	18	17	15,5	14	10,5		
8SDS 100/2 - B-8SDS 100/2	11	15		43	42	41	40	38	36	34	31	28	21		
8SDS 100/3 - B-8SDS 100/3	18,5	25		64,5	63	61,5	60	57	54	51	46,5	42	31,5		
8SDS 100/4 - B-8SDS 100/4	22	30		86	84	82	80	76	72	68	62	56	42		
8SDS 100/5 - B-8SDS 100/5	30	40		107	105	102	100	95	90	85	77,5	70	52,5		
8SDS 100/6 - B-8SDS 100/6	37	50		129	126	123	120	114	108	102	93	84	63		
8SDS 100/7 - B-8SDS 100/7	45	60		150	147	143	140	133	126	119	108	98	73,5		
8SDS 100/8 - B-8SDS 100/8	45	60		172	168	164	160	152	144	136	124	112	84		
8SDS 100/9 - B-8SDS 100/9	51 (55)	70 (75)		193	189	184	180	171	162	153	139	126	94,5		
8SDS 100/10 - B-8SDS 100/10	55	75		215	210	205	200	190	180	170	155	140	105		
8SDS 100/11 - B-8SDS 100/11	66 (75)	90 (100)		236	231	225	220	209	198	187	170	154	115		
8SDS 100/12 - B-8SDS 100/12	66 (75)	90 (100)		258	252	246	240	228	216	204	186	168	126		
8SDS 100/13 - B-8SDS 100/13	75	100		279	273	266	260	247	234	221	201	182	136		
8SDS 100/14 - B-8SDS 100/14	92	125		301	294	287	280	266	252	238	217	196	147		
8SDS 100/15 - B-8SDS 100/15	92	125		322	315	307	300	285	270	255	232	210	157		
8SDS 100/16 - B-8SDS 100/16	92	125		344	336	328	320	304	288	272	248	224	168		

DN	Motor		f	8SDS	B-8SDS
	CS-R mm	FK mm			
125	145 6"	137 6"	602	38	43
			734	49	55
			866	59	67
			998	70	79
			1130	81	91
			1262	92	103
	191 8"	196 8"	1394	102	115
			1526	113	128
			1658	124	140
			1790	135	152
			1922	145	164
			2054	156	176
125	191 8"	196 8"	2186	167	188
			2318	177	200
			2450	188	212
			2582	199	224

P<sub>2</sub> Rated motor power output

(...) FK motor rated power output

H Total head in m

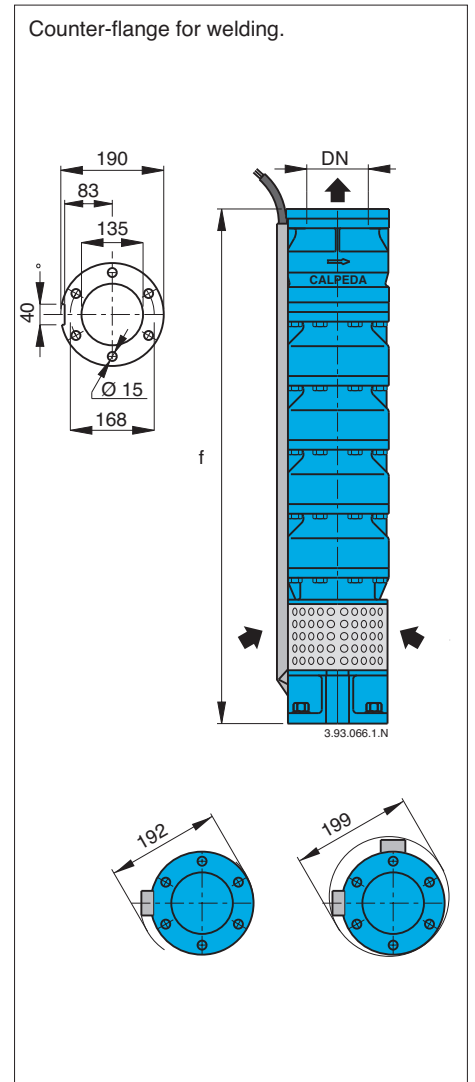
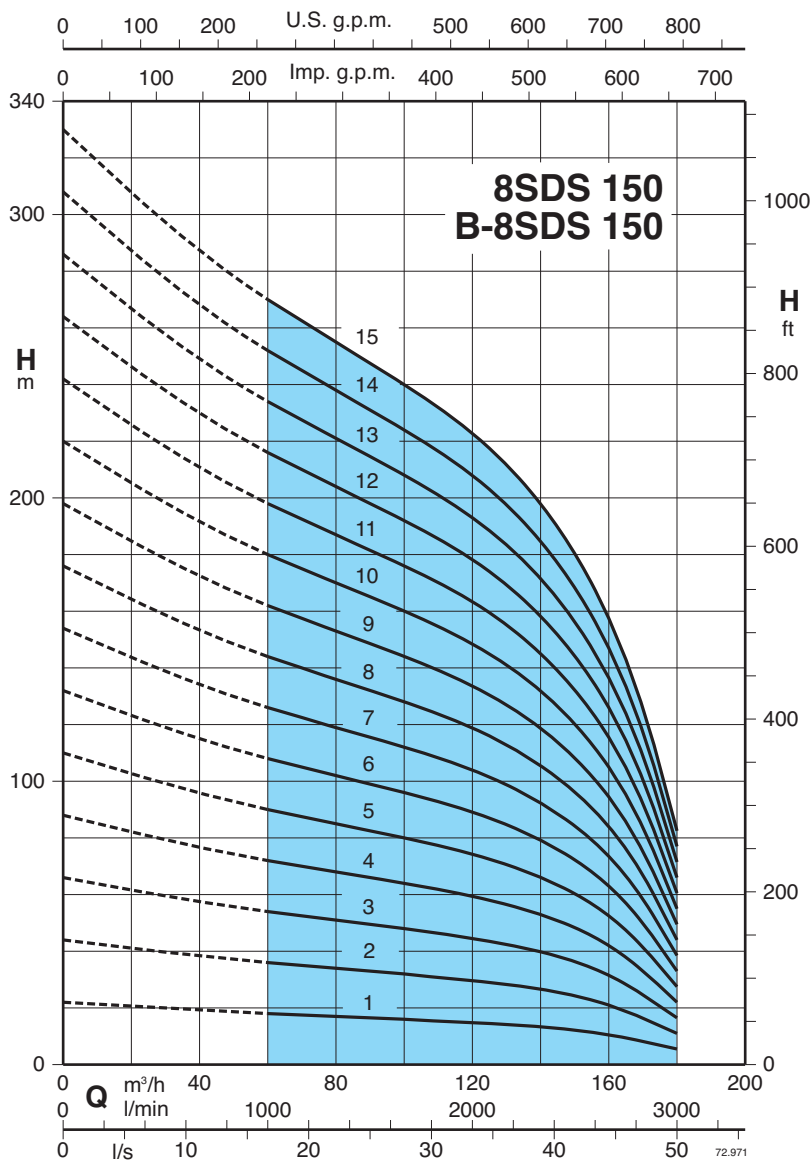
Tolerances according to UNI EN ISO 9906:2012

# 8SDS 150

Submersible borehole pumps for 8" wells



## Characteristic curves, performance $n \approx 2900$ rpm, dimensions and weights



3 ~	P <sub>2</sub>		Q	n ≈ 2900 rpm												DN	Motor		f	8SDS	B-8SDS	
	kW	HP		m <sup>3</sup> /h	n ≈ 2900 rpm												CS-R	FK				
					l/min	60	70	80	90	100	110	125	140	150	160							180
8SDS 150/1 - B-8SDS 150/1	7,5	10	H m	18	17,5	17	16,5	16	15,5	14,5	13	11,5	10,5	5,5	125	145 6"	137 6"	602	38	43		
8SDS 150/2 - B-8SDS 150/2	15	20		36	35	34	33	32	31	29	26	23	21	11				734	49	55,5		
8SDS 150/3 - B-8SDS 150/3	22	30		54	52,5	51	49,5	48	46,5	43,5	39	34,5	31,5	16,5				866	60	68		
8SDS 150/4 - B-8SDS 150/4	30	40		72	70	68	66	64	62	58	52	46	42	22				998	71,5	80,5		
8SDS 150/5 - B-8SDS 150/5	37	50		90	87,5	85	82,5	80	77,5	72,5	65	57,5	52,5	27,5				1130	82,5	93		
8SDS 150/6 - B-8SDS 150/6	45	60		108	105	102	99	96	93	87	78	69	63	33				1262	93,5	106		
8SDS 150/7 - B-8SDS 150/7	51 (55)	70 (75)		126	122	119	115	112	108	101	91	80,5	73,5	38,5		1394	105	118				
8SDS 150/8 - B-8SDS 150/8	59 (75)	80 (100)		144	140	136	132	128	124	116	104	92	84	44		1526	116	131				
8SDS 150/9 - B-8SDS 150/9	66 (75)	90 (100)		162	157	153	148	144	139	130	117	103	94,5	49,5		1658	127	143				
8SDS 150/10 - B-8SDS 150/10	75	100		180	175	170	165	160	155	145	130	115	105	55		1790	138	156				
8SDS 150/11 - B-8SDS 150/11	92	125		198	192	187	181	176	170	159	143	126	115	60,5		1922	149	168				
8SDS 150/12 - B-8SDS 150/12	92	125		216	210	204	198	192	186	174	156	138	126	66		2054	160	181				
8SDS 150/13 - B-8SDS 150/13	110	150		234	227	221	214	208	201	188	169	149	136	71,5		2186	171	194				
8SDS 150/14 - B-8SDS 150/14	110	150		252	245	238	231	224	217	203	182	161	147	77		2318	182	206				
8SDS 150/15 - B-8SDS 150/15	110	150		270	262	255	247	240	232	217	195	172	157	82,5		2450	193	219				

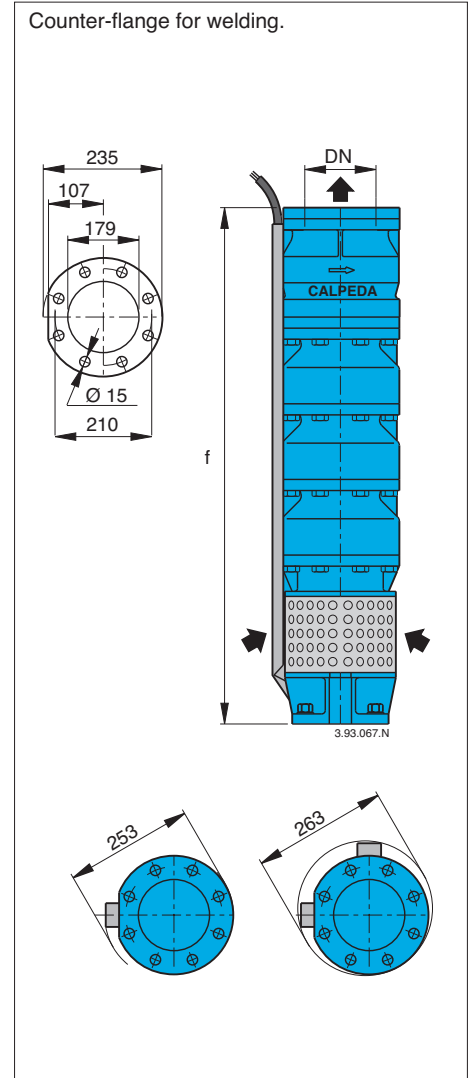
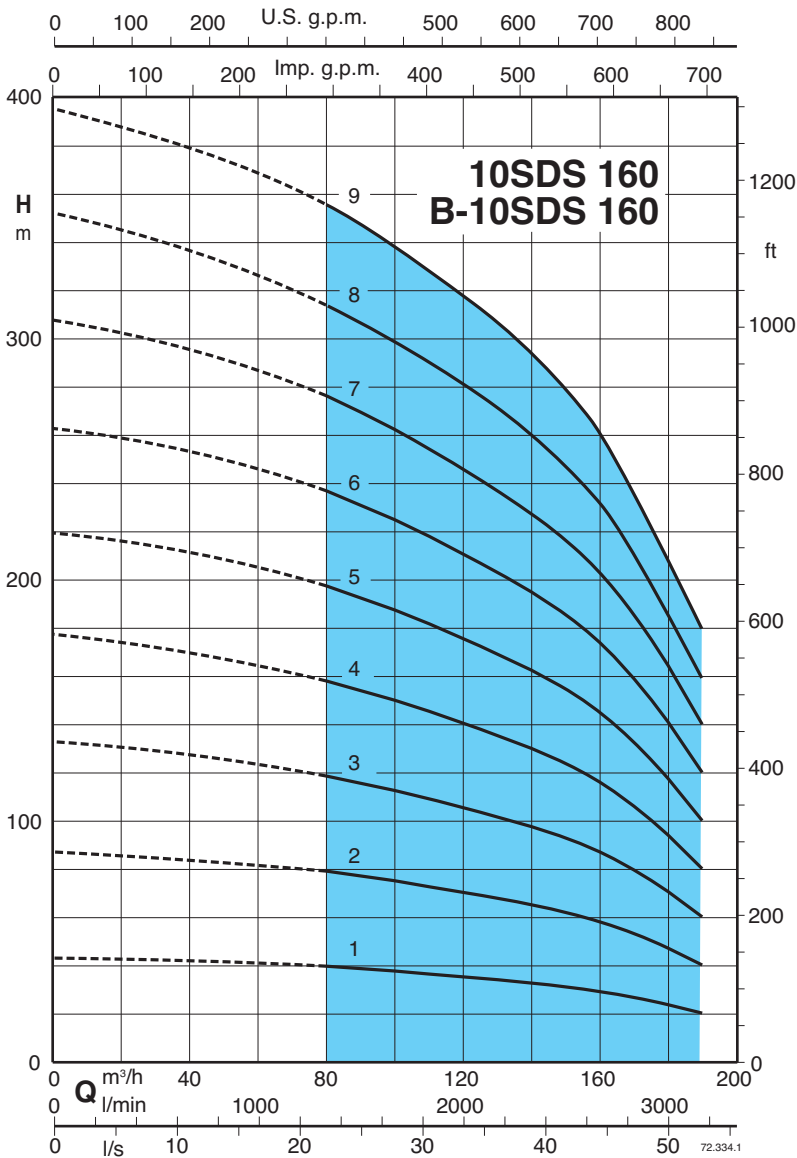
P<sub>2</sub> Rated motor power output

(...) FK motor rated power output

H Total head in m

Tolerances according to UNI EN ISO 9906:2012

## Characteristic curves, performance $n \approx 2900$ rpm, dimensions and weights



3 ~	P <sub>2</sub>		Q	n ≈ 2900 rpm												DN	Motor		f	10SDS	B-10SDS	
	kW	HP		m <sup>3</sup> /h	H												CS-R	FK				
					l/min	1333	1500	1666	1833	2083	2333	2500	2666	2833	3000							3166
10SDS 160/1 - B-10SDS 160/1	18,5	25	39,5	38	37,5	36	34,5	32,5	31	29	26,5	22	20	175	145 6"	137 6"	865	77	87			
10SDS 160/2 - B-10SDS 160/2	37	50	78,5	76,5	74,5	72,5	69	65	62	58,5	53,5	44	40				1035	103	114			
10SDS 160/3 - B-10SDS 160/3	55	75	118	114	112	108	104	98	92,5	87,5	80	66,5	60				1205	126	141			
10SDS 160/4 - B-10SDS 160/4	75	100	157	153	149	145	138	130	123	117	107	88,5	80		1375	150	169					
10SDS 160/5 - B-10SDS 160/5	92	125	196	191	186	181	173	163	154	146	134	111	100		196 8"	196 8"	1545	173	195			
10SDS 160/6 - B-10SDS 160/6	110	150	236	229	224	217	207	195	185	175	160	133	120				1715	197	222			
10SDS 160/7 - B-10SDS 160/7	130	175	275	267	261	253	242	228	216	204	187	155	140				1885	220	249			
10SDS 160/8 - B-10SDS 160/8	150	200	314	305	298	289	276	260	246	233	213	177	160		240 10"	-	2055	244	276			
10SDS 160/9 - B-10SDS 160/9	185	250	356	342	338	324	311	293	279	261	239	198	180				2225	268	303			

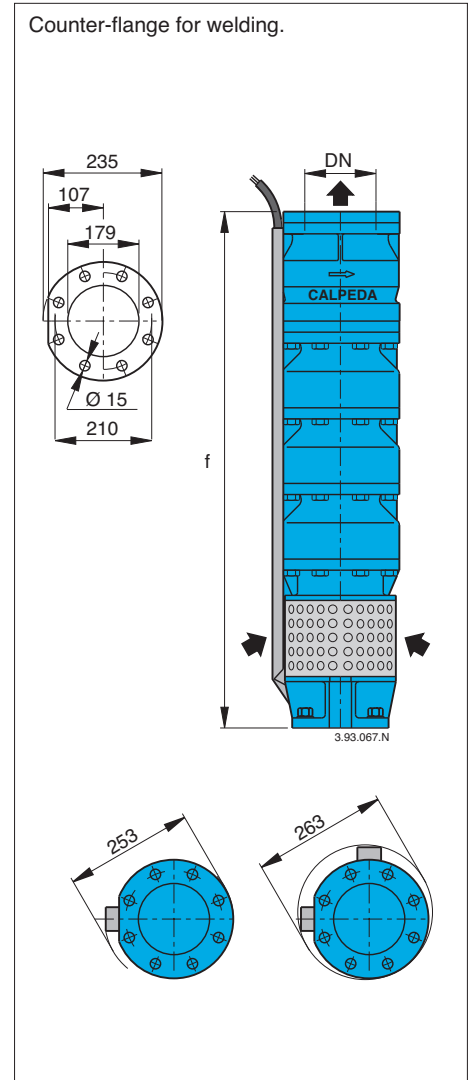
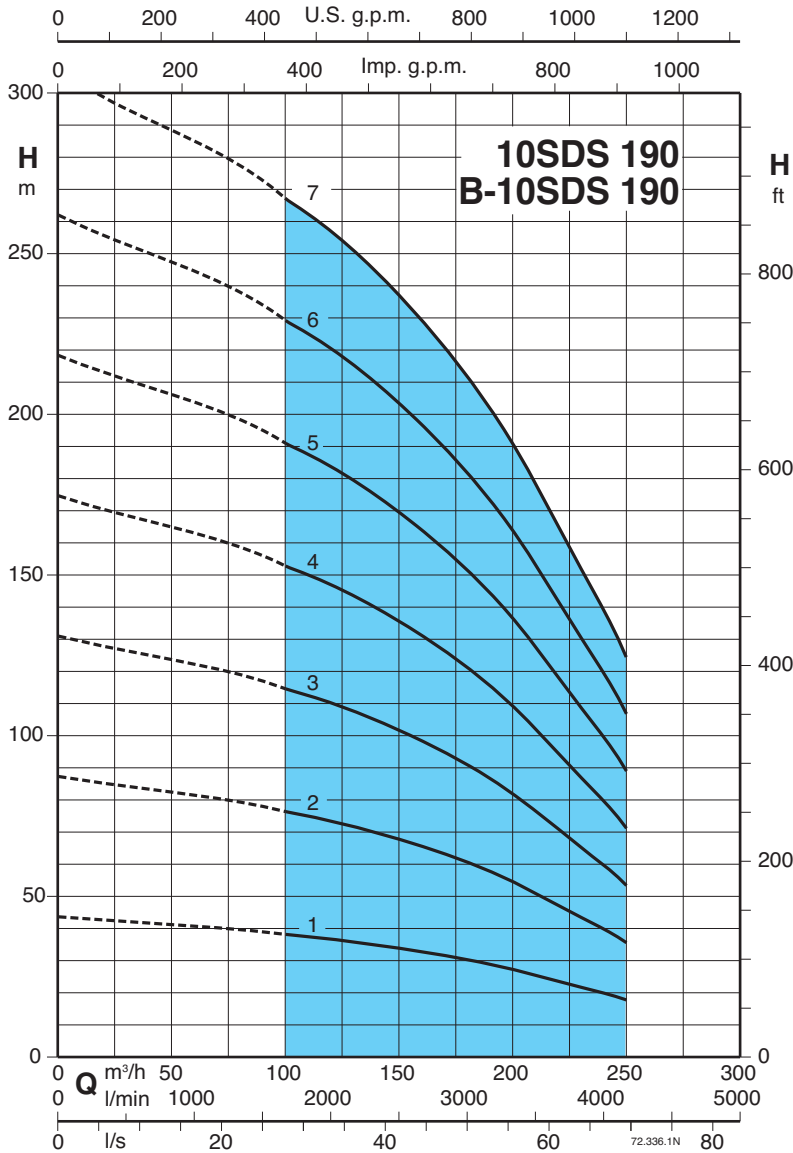
P<sub>2</sub> Rated motor power output

(...) FK motor rated power output

H Total head in m

Tolerances according to UNI EN ISO 9906:2012

**Characteristic curves, performance  $n \approx 2900$  rpm, dimensions and weights**



3 ~	P <sub>2</sub>		Q	n ≈ 2900 rpm											DN	Motor		f	10SDS	B-10SDS		
	kW	HP		m <sup>3</sup> /h												CS-R mm	FK mm					
			100	120	140	160	180	200	220	230	240	250	l/min	1666							2000	2333
10SDS 190/1 - B-10SDS 190/1	22	30	H m	38	37	35	33	30	27	24	22	20	18	175	145 6"	137 6"	865	78	88			
10SDS 190/2 - B-10SDS 190/2	45	60		76	73	70	66	61	55	47	44	40	36							1035	102	115
10SDS 190/3 - B-10SDS 190/3	66 (75)	90 (100)		115	110	105	98	91	82	71	65	59	53							1205	127	143
10SDS 190/4 - B-10SDS 190/4	92	125		153	147	140	131	121	109	95	87	79	71							1375	151	170
10SDS 190/5 - B-10SDS 190/5	110	150		191	183	175	164	152	137	119	109	99	89							1545	175	198
10SDS 190/6 - B-10SDS 190/6	130	175		229	220	210	197	182	164	142	131	119	107							1715	199	225
10SDS 190/7 - B-10SDS 190/7	185	250		267	257	244	230	212	191	166	152	139	125							1885	223	252

P<sub>2</sub> Rated motor power output

(...) FK motor rated power output

H Total head in m

Tolerances according to UNI EN ISO 9906:2012

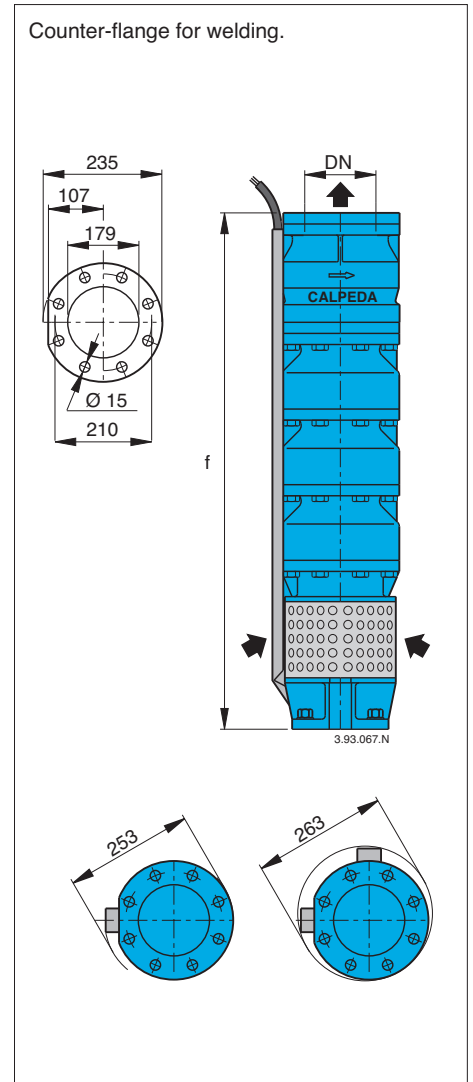
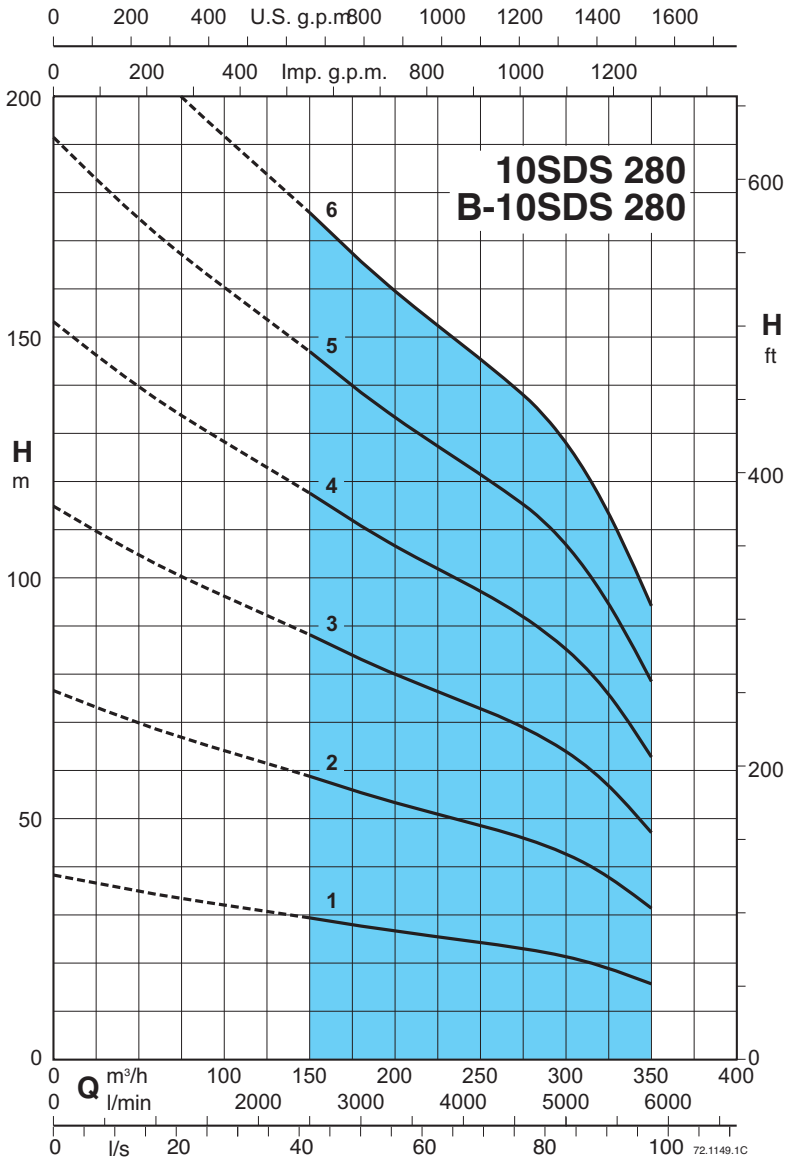


# 10SDS 280

Submersible borehole pumps for 10" wells



## Characteristic curves, performance $n \approx 2900$ rpm, dimensions and weights



3 ~	P <sub>2</sub>		Q	n ≈ 2900 rpm											DN	Motor		f	10SDS	B-10SDS
																CS-R	FK			
	kW	HP	m³/h	150	180	200	220	240	260	280	300	315	350	mm		mm	mm			
			l/min	2500	3000	3333	3666	4000	4333	4666	5000	5250	5833							
			H																	
			m																	
10SDS 280/1 - B-10SDS 280/1	26 (30)	35 (40)		29	28	27	26	25	24	23	21	20	16	175	145-6" 8"	137-6" 8"	196	865	78	88
10SDS 280/2 - B-10SDS 280/2	55	75		59	55	53	51	50	48	46	42	40	31					1035	103	116
10SDS 280/3 - B-10SDS 280/3	75	100		88	83	80	77	75	71	69	64	60	47					1205	127	143
10SDS 280/4 - B-10SDS 280/4	110	150		118	111	106	103	100	95	92	85	80	63					1375	151	170
10SDS 280/5 - B-10SDS 280/5	130	175		147	139	133	129	125	119	115	106	100	79					1545	175	198
10SDS 280/6 - B-10SDS 280/6	150	200		176	167	160	155	150	143	138	127	120	95					1715	199	226

P<sub>2</sub> Rated motor power output

(...) FK motor rated power output

H Total head in m

Tolerances according to UNI EN ISO 9906:2012

### Cables connection kit

It allows connection of electric cables with junction submerged in water.

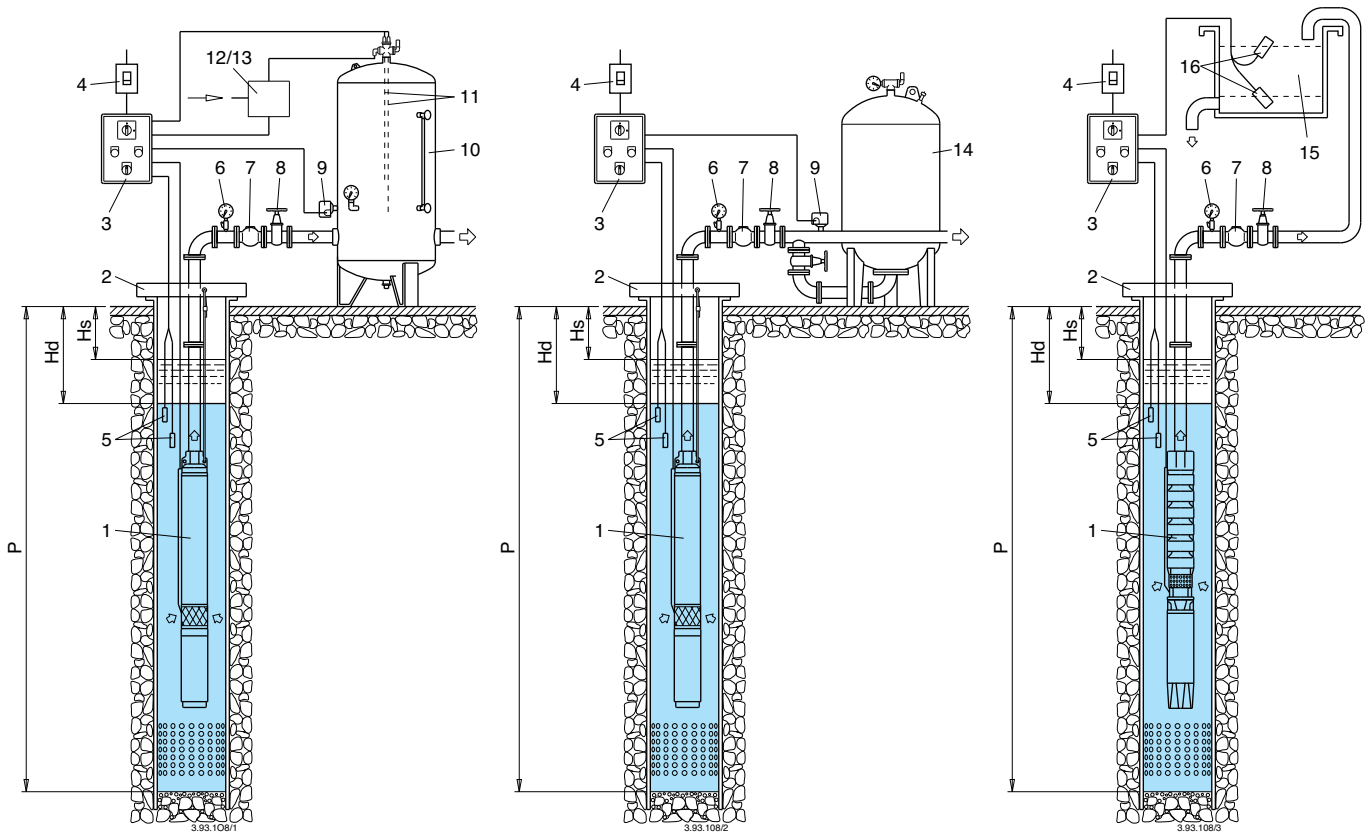
The kit includes:

- 4 connectors
- 4 shrink-sheaths for protection of individual wires
- 1 shrink-sheath for protection of the 4-pole wire.

The sheath shrinks with heating (flame or drier) which causes resin outlet granting connection waterproofing.



### Installation examples



- 1 Submersible pump
- 2 Pump support system
- 3 Electric control board
- 4 Circuit breaker
- 5 Minimum level probes
- 6 Pressure gauge
- 7 Check valve
- 8 Throttle gate valve
- 9 Pressure switch
- 10 Pressure tank
- 11 Probes for air entry control
- 12 Electric valve
- 13 Compressor
- 14 Membrane tank
- 15 Storage tank
- 16 Start-stop probes

Hs Static level  
 Hd Dynamic level  
 P Tubewell depth

# CS, CS-R

## Submersible motors



The Calpeda 4", 6", 8" and 10" submersible motors are built using advanced technology and components of superior quality that they ensure good mechanical strength and excellent electrical reliability. The good performances are guaranteed thanks to strict tests of all the different components during the various production phases.

### Rewindable motor CS-R series

The **CS-R** 6/8/10" motors are in a water bath with the wire being coated with polyvinyl chloride, while the **CS-R** 4" motors have a special food grade dielectric fluid that gives a better lubricant effect, increasing the life of all moving parts and the copper wires. The special design of all our motors allows easy access to the various components, simplifying maintenance and repair.

**CS, CS-R:** Standard construction.  
**I-CS, I-CS-R:** AISI 316 construction.

### Operation data

2-pole induction motor, 50 Hz (n ≈ 2900 rpm).  
 Sized for connection to the pumps according to NEMA Standards (10" excluded).  
 Standard voltages:  
 - single-phase 230 V - up to 2,2 kW for 4" motors.  
 - three-phase 230 V; (5,5 kW excluded) 400 V for 4" motors.  
 - three-phase 400 V; 400/690 V for 6-8-10" motors.  
 Voltage tolerance : ± 10% (+6%/-10% for 4").

In order to limit both current and torque at each starting, for rated motor powers equal to or higher than 7.5kW, one of the following types of starting is necessary: star/delta, soft starter, stator impedance or autotransformer.

Insulation class:  
 - class F for 4" motors,  
 - class E for 6" motors, PVC for I-6" (I-6" 45 kW PE2+PA).  
 - PVC for 8"  
 - PVC for 10" (10" 170kW and 190 kW PE2+PA)

Protection IP 68.  
 Installation below water level: 100 m for 4", 150 m for 6", 500 m for 8,10"

Motor suitable operation with frequency converter (with suitable filter dv/dt for 6.8.10") (4" single-phase excluded).

Horizontal installation (6" 37-45kW, 8" 92kW, 10" 170-190 kW excluded)

### Operating conditions

Motor	P2	Max. Liquid temperature	Cooling minimum flow velocity	Max. starts per hou
4CS-R	all types	35 °C	0,08 m/s	20
6CS-R	4÷11 kW	30 °C	0,1 m/s	15
	13÷15 kW	30 °C	0,2 m/s	15
	18,5 kW	25 °C	0,2 m/s	15
	22÷30 kW	25 °C	0,2 m/s	13
	37 kW	40 °C	0,1 m/s	13
I-6CS-R	45 kW	40 °C	0,3 m/s	6
	4÷37 kW	30 °C	0,15 m/s	20
8CS-R	45 kW	45 °C	0,15 m/s	20
	all types	30 °C	0,15 m/s	10
10CS-R	75÷150 kW	30 °C	0,15 m/s	10
	170÷190 kW	50 °C	0,15 m/s	10

Continuous duty.

### Special features on request

- Other voltage.
- Frequency 60 Hz.
- Higher liquid temperature.
- Bronze, AISI 904 and Super Duplex version for 6.8.10".
- PT100 temperature sensor
- PE2 / PA winding insulation
- Cooling jackets



kW	4" 1~		4" 3~		6" 3~		8" 3~		10" 3~	
	CS-R	CS-R	CS-R	I-CS-R 316	CS-R	I-CS-R 316	CS-R	I-CS-R 316	CS-R	I-CS-R 316
0,37	•	•								
0,55	•	•								
0,75	•	•								
1,1	•	•								
1,5	•	•								
2,2	•	•								
3		•								
4		•	•	•						
5,5		•	•	•						
7,5			•	•						
9,2			•	•						
11			•	•						
13			•	•						
15			•	•						
18,5			•	•						
22			•	•						
26			•	•						
30			•	•	•	•				
37			•	•	•	•				
45			•	•	•	•				
51					•	•				
59					•	•				
66					•	•				
75					•	•	•	•		
92						•	•	•	•	
110							•	•	•	•
132							•	•	•	•
150							•	•	•	•
170							•	•	•	•
190							•	•	•	•

### Materials

Components	4"	
External frame	Cr-Ni steel AISI 304	
Motor flange	Cast iron GJL 200 EN 1561 nickel-plated	
Shaft end	Cr-Ni-Mo steel AISI 316	
Thrust bearing	Oil wetted	
Components	6", 8", 10" standard	6", 8", 10" AISI 316
External frame	Cr-Ni steel AISI 304	Cr-Ni-Mo steel AISI 316
Motor flange	Cast iron GJL 200 EN 1561 (Cast iron G 25 EN 1561 for 8,10")	Cr-Ni-Mo steel AISI 316
Shaft end	Cr-Ni steel AISI 431 (Steel AISI 420 for 8")	Duplex 1.4462
Thrust bearing	Oscillating pads	Oscillating pads
Bushings	Resin/ Graphite compound (Graphite for 6")	Resin/ Graphite compound

### Cable

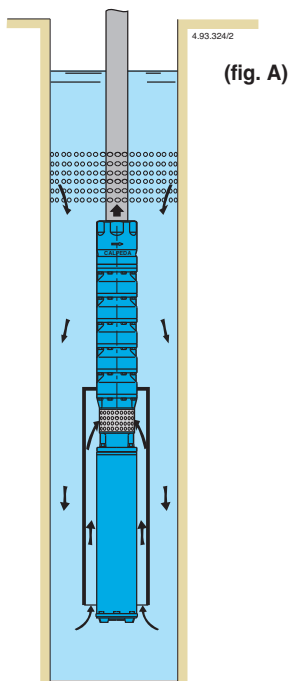
Motor 230V - 50Hz - 1~	Section	Length
4CS-R 0,37 ÷ 2,2 kW	3x2 + 1G2 mm <sup>2</sup>	2 m
Motor 400V - 50Hz - 3 ~	Section	Length
4CS-R 0,37 ÷ 1,5 kW	3x2 + 1G2 mm <sup>2</sup>	2 m
4CS-R 2,2 ÷ 5,5 kW	3x2 + 1G2 mm <sup>2</sup>	3 m
6CS-R 4 ÷ 11 kW	3 x (1x2,5) mm <sup>2</sup>	3,5 m
6CS-R 13 ÷ 22 kW	3 x (1x4) mm <sup>2</sup>	3,5 m
6CS-R 26 - 30 kW	3 x (1x6) mm <sup>2</sup>	3,5 m
6CS-R 37 - 45 kW	3 x (1x10) mm <sup>2</sup>	3,5 m
I-6CS-R 4 ÷ 15 kW	3 x (1x4) mm <sup>2</sup>	3,5 m
I-6CS-R 18,5 ÷ 26 kW	3 x (1x6) mm <sup>2</sup>	3,5 m
I-6CS-R 30 kW	3 x (1x10) mm <sup>2</sup>	3,5 m
I-6CS-R 37 ÷ 45 kW	3 x (1x10) mm <sup>2</sup>	4,5 m
8CS-R 30 kW	3 x (1x10) mm <sup>2</sup>	3,5 m
8CS-R 37 ÷ 59 kW	3 x (1x16) mm <sup>2</sup>	3,5 m
8CS-R 66 ÷ 75 kW	3 x (1x25) mm <sup>2</sup>	3,5 m
8CS-R 92 kW	3 x (1x25) mm <sup>2</sup>	4,5 m
10CS 75 ÷ 92 kW	3x(1x25) mm <sup>2</sup>	4,5 m
10CS 110 kW	3x(1x35) mm <sup>2</sup>	4,5 m
10CS 132 kW	3x(1x50) mm <sup>2</sup>	4,5 m
10CS 150 ÷ 170 kW	3x(1x70) mm <sup>2</sup>	4,5 m
10CS 190 kW	3x(1x95) mm <sup>2</sup>	4,5 m

### Cooling jacket

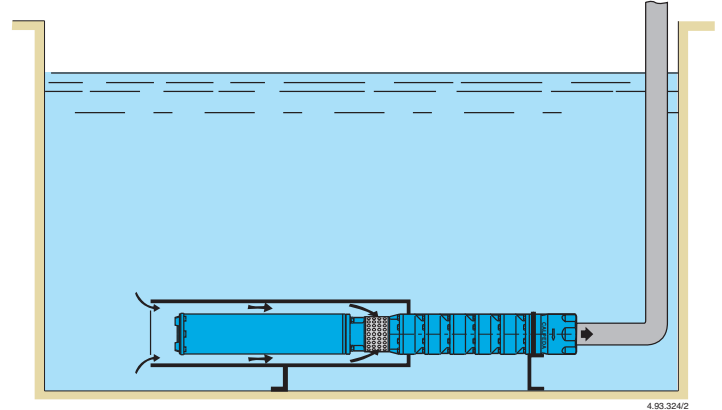
When the submersible motor is installed :

- below the well inlet points (**picture A**);
- in tanks, lakes, basins, etc... (**pictures B and C**)

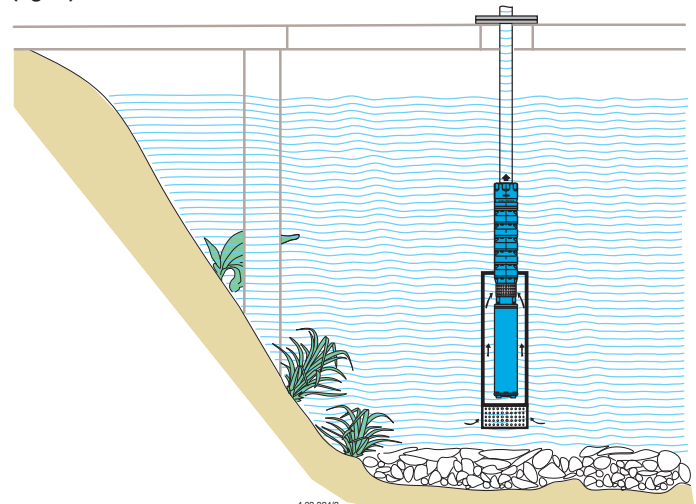
an external jacket must be installed to create a cooling flow around the motor. Only in this way a safe operation can be assured avoiding any overheating which can damage the motor.



(fig. B)



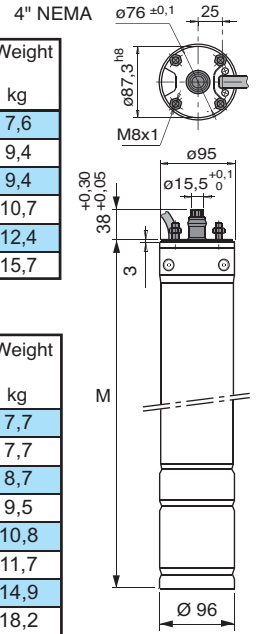
(fig. C)



### Performance, dimensions and weights

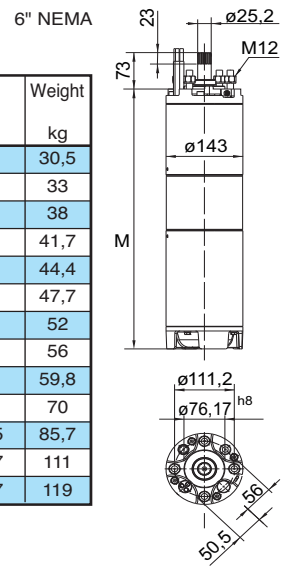
#### 4"CS-R - 1 ~

Type	PN		IN 230 V A	Power factor cos φ			Efficiency η %			R.P.M.	Direct start		Capacitor 450 Vc μF	Axial thrust N	M mm	Weight kg
	kW	HP		4/4	3/4	2/4	4/4	3/4	2/4		I <sub>A</sub> IN	C <sub>A</sub> CN				
4CS-R 0,37M	0,37	0,5	3.2	0.96	0.93	0.85	53	46	29	≈ 2850	3.8	0.78	16	1500	327	7,6
4CS-R 0,55M	0,55	0,75	4.0	0.99	0.97	0.89	62	54	35		4.6	0.80	25		362	9,4
4CS-R 0,75M	0,75	1	5.6	0.96	0.91	0.80	61	55	36		3.6	0.66	30		362	9,4
4CS-R 1,1M	1,1	1,5	8.0	0.93	0.86	0.71	66	59	38		4.2	0.65	40		402	10,7
4CS-R 1,5M	1,5	2	10.8	0.94	0.89	0.75	64	59	39		3.5	0.75	60		447	12,4
4CS-R 2,2M	2,2	3	14.7	0.96	0.93	0.80	67	64	44		4.2	0.51	70		517	15,7



#### 4"CS-R - 3 ~

Type	PN		IN 400 V A	Power factor cos φ			Efficiency η %			R.P.M.	Direct start		Axial thrust N	M mm	Weight kg
	kW	HP		4/4	3/4	2/4	4/4	3/4	2/4		I <sub>A</sub> IN	C <sub>A</sub> CN			
4CS-R 0,37T	0,37	0,5	1.2	0.73	0.64	0.47	63	58	44	≈ 2850	5.6	4.2	1500	327	7,7
4CS-R 0,55T	0,55	0,75	1.5	0.80	0.71	0.53	68	66	52		6.1	4.1		327	7,7
4CS-R 0,75T	0,75	1	2.2	0.77	0.69	0.50	65	63	49		4.2	3		347	8,7
4CS-R 1,1T	1,1	1,5	2.8	0.80	0.71	0.49	72	73	62		4.5	3		362	9,5
4CS-R 1,5T	1,5	2	3.7	0.79	0.70	0.47	76	75	65		5.0	3.1		402	10,8
4CS-R 2,2T	2,2	3	5.5	0.81	0.71	0.47	72	73	62		4.9	2.2		402	11,7
4CS-R 3T	3	4	7.4	0.81	0.72	0.56	73,5	73,5	69		5,7	2,16	4500	481	14,9
4CS-R 4T	4	5,5	9,4	0,82	0,74	0,60	74,5	75	71		6,3	2,19		546	18,2
4CS-R 5,5T	5,5	7,5	13	0,81	0,72	0,57	76	76	71		7,8	3,44		646	23



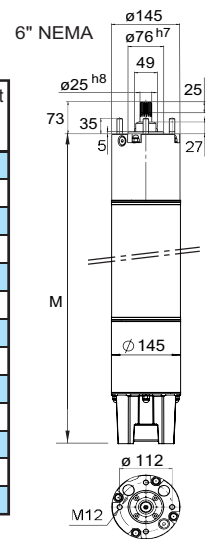
#### 6"CS-R

Type Standard	PN		IN 400 V A	Power factor cos φ		Efficiency η %		R.P.M.	Direct start		Axial thrust N	M mm	Weight kg
	kW	HP		4/4	3/4	4/4	3/4		I <sub>A</sub> IN	C <sub>A</sub> CN			
6CS-R 4	4	5,5	11	0,80	0,70	70	68	2825	3	1,5	30000	530	30,5
6CS-R 5,5	5,5	7,5	14,5	0,81	0,72	72	72	2815	3,2	1,5	30000	550	33
6CS-R 7,5	7,5	10	18,5	0,80	0,72	76	76	2830	4,1	2	30000	595	38
6CS-R 9,2	9,2	12,5	22	0,80	0,71	78	78	2840	4	1,7	30000	640	41,7
6CS-R 11	11	15	26	0,83	0,76	78	79	2835	5,2	2,5	30000	670	44,4
6CS-R 13	13	17,5	31	0,80	0,69	79	78	2840	5	2,6	30000	700	47,7
6CS-R 15	15	20	35	0,80	0,72	81	81	2855	5	1,95	30000	715	52
6CS-R 18,5	18,5	25	42	0,82	0,74	81	82	2840	5,4	2,5	30000	750	56
6CS-R 22	22	30	49,5	0,83	0,76	81	83	2820	4,5	1,7	30000	790	59,8
6CS-R 26	26	35	57,5	0,82	0,74	83	84	2850	5,3	2	30000	875	70
6CS-R 30	30	40	64,6	0,80	0,74	85	87	2845	5,3	2	30000	1025	85,7
6CS-R 37	37	50	82,5	0,80	0,72	86	87	2870	6	2,4	30000	1227	111
6CS-R 45	45	60	98,9	0,80	0,73	85	85	2860	5,1	2	30000	1287	119

### Performance, dimensions and weights

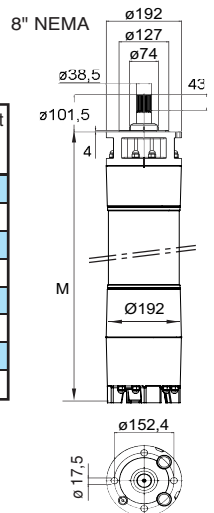
#### I-6"CS-R

Type AISI 316	PN		IN 400 V A	Power factor cos φ			Efficiency η %			R.P.M.	Direct start		Axial thrust N	M mm	Weight kg
	kW	HP		4/4	3/4	2/4	4/4	3/4	2/4		I <sub>A</sub> I <sub>N</sub>	C <sub>A</sub> C <sub>N</sub>			
I-6CS-R 4	4	5,5	9,9	0,80	0,73	0,64	74,8	74,4	67,4	2852	4	1,5	25000	597	44
I-6CS-R 5,5	5,5	7,5	13	0,80	0,75	0,67	76,7	75,2	65,2	2839	4	1,5	25000	627	47
I-6CS-R 7,5	7,5	10	17	0,81	0,76	0,68	78,4	76,9	73,1	2837	4	2	25000	667	51
I-6CS-R 9,2	9,2	12,5	20	0,82	0,77	0,68	79,1	79,4	74,3	2862	4	1,7	25000	697	54
I-6CS-R 11	11	15	24	0,84	0,80	0,72	80,8	81,9	78,6	2841	4	2,5	25000	767	61
I-6CS-R 13	13	17,5	30	0,82	0,77	0,67	80	79,3	76,7	2863	4	2,6	25000	767	62
I-6CS-R 15	15	20	33	0,83	0,77	0,68	81,6	82,8	81,0	2836	4	1,95	25000	827	69
I-6CS-R 18,5	18,5	25	40	0,83	0,78	0,69	81,9	82,6	80,3	2853	4	2,5	35000	897	74
I-6CS-R 22	22	30	47	0,82	0,75	0,64	83,5	84	82,1	2868	4	1,7	35000	967	81
I-6CS-R 26	26	35	54	0,82	0,77	0,66	84,5	86,1	85,2	2864	4	2	35000	1027	90
I-6CS-R 30	30	40	62	0,82	0,77	0,66	85	85,7	84,9	2860	4	2	45000	1167	103
I-6CS-R 37	37	50	79	0,81	0,75	0,63	83,5	84,6	84,1	2856	4	2,4	45000	1297	117
I-6CS-R 45	45	60	98	0,83	0,76	0,63	80,5	83,4	83,8	2827	4	2	45000	1327	119



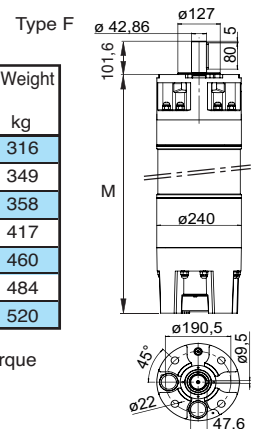
#### 8"CS-R, I-8"CS-R

Type		PN		IN 400 V A	Power factor cos φ			Efficiency η %			R.P.M.	Direct start		Axial thrust N	M mm	Weight kg
Standard	AISI 316	kW	HP		4/4	3/4	2/4	4/4	3/4	2/4		I <sub>A</sub> I <sub>N</sub>	C <sub>A</sub> C <sub>N</sub>			
8CS-R 30	I-8CS-R 30	30	40	61	0,85	0,82	0,75	83,9	84,9	82,3	2886	4,5	1,8	50000	1049	137
8CS-R 37	I-8CS-R 37	37	50	76	0,84	0,8	0,71	84,8	84,7	82,7	2890	4,5	1,8	50000	1119	157
8CS-R 45	I-8CS-R 45	45	60	91	0,84	0,79	0,71	86	86	83,4	2900	4,5	1,9	50000	1229	169
8CS-R 51	I-8CS-R 51	51	70	103	0,85	0,81	0,73	84,9	86,5	85,1	2879	4,5	1,9	60000	1229	170
8CS-R 59	I-8CS-R 59	59	80	116	0,83	0,79	0,69	87,5	88,6	87,4	2898	4,5	2	60000	1349	194
8CS-R 66	I-8CS-R 66	66	90	129	0,84	0,81	0,72	87,1	88	87	2883	4,5	2	70000	1419	210
8CS-R 75	I-8CS-R 75	75	100	146	0,85	0,81	0,73	86,9	87,7	86,5	2890	4,5	2	70000	1609	241
8CS-R 92	I-8CS-R 92	92	125	181	0,83	0,77	0,66	88,5	88,4	87,9	2900	4,5	2,1	70000	1679	251



#### 10"CS-R, I-10"CS-R

Type		PN		IN 400 V A	Power factor cos φ			Efficiency η %			R.P.M.	Direct start		Axial thrust N	M mm	Weight kg
Standard	AISI 316	kW	HP		4/4	3/4	2/4	4/4	3/4	2/4		I <sub>A</sub> I <sub>N</sub>	C <sub>A</sub> C <sub>N</sub>			
10CS-R 75	I-10CS-R 75	75	100	154	0,83	0,81	0,75	84,8	83,7	81,3	2900	4,5	1,1	80000	1439	316
10CS-R 92	I-10CS-R 92	92	125	184	0,84	0,82	0,78	85,7	84	82	2891	4,5	1,3	80000	1569	349
10CS-R 110	I-10CS-R 110	110	150	217	0,84	0,82	0,76	87,1	87,6	86,5	2907	4,5	1,3	80000	1709	358
10CS-R 132	I-10CS-R 132	132	180	262	0,85	0,83	0,78	87	87,3	85,6	2892	4,5	1,3	80000	1809	417
10CS-R 150	I-10CS-R 150	150	200	294	0,83	0,8	0,73	88,1	88,7	87,1	2907	4,5	1,7	80000	1929	460
10CS-R 170	I-10CS-R 170	170	230	334	0,83	0,79	0,71	87,5	88,4	87,2	2900	4,5		80000	2029	484
10CS-R 190	I-10CS-R 190	190	260	374	0,83	0,79	0,7	88,3	89,5	89,2	2904	4,5		80000	2129	520

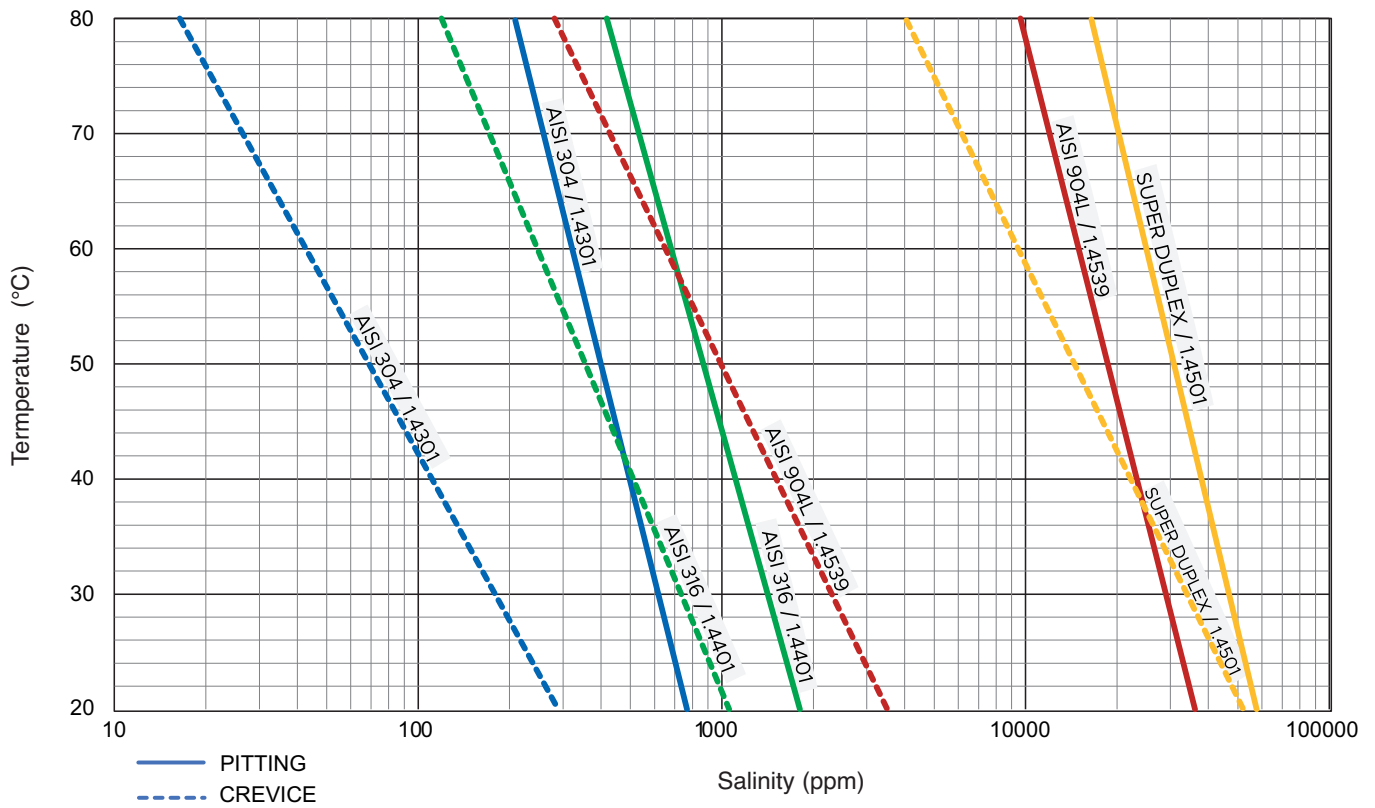


<sup>N</sup> Rated power output IN Rated current

$\frac{I_A}{I_N}$  Starting current / Nominal current

$\frac{C_A}{C_N}$  Starting torque/Nominal torque

## Relationship between temperature and salinity



### Maximum length of electric cables

IN A	230 Volt - 50 Hz - 1 ~				
	1 four-wires cable 4 x ....mm <sup>2</sup>				
	1,5	2,5	4	6	10
	cables max m				
2	142	235			
4	71	118	189		
6	47	78	126	189	
8	35	59	94	142	231
10	28	47	76	113	185
12	24	39	63	95	154
14	20	34	54	81	132
16	18	29	47	71	115
18		26	42	63	103
20		24	38	57	92
25			30	45	74
30			25	38	62

Voltage drop 3%.  
Maximum ambient temperature + 30 °C.

### Direct-starting

IN A	230 Volt - 50 Hz - 3 ~														
	1 four-wires cable 4 x ....mm <sup>2</sup>							4 cables 1 x ....mm <sup>2</sup>							
	1,5	2,5	4	6	10	16	25	35	50	70	95	120	150		
	cables max m														
2	164	272													
4	82	136	218												
6	55	91	145	218											
8	41	68	109	164	267										
10	33	54	87	131	213										
12	27	45	73	109	178										
14	23	39	62	94	152	239									
16	20	34	55	82	133	209									
18		30	48	73	118	186									
20		27	44	65	107	167	257								
25			35	52	85	134	206								
30			29	44	71	111	171	233							
35				37	61	95	147	200							
40				33	53	83	129	175	227						
45					47	74	114	155	202						
50					43	67	103	140	181	249					
60						56	86	116	151	207					
70						48	73	100	130	178	230				
80							64	87	113	155	201	241			
90							57	78	101	138	179	214			
100							51	70	91	124	161	193	224		
110								64	82	113	146	175	203		
120								58	76	104	134	161	186		
130									70	96	124	148	172		
140									65	89	115	138	160		
150									60	83	107	128	149		
160									57	78	101	120	140		
170									53	73	95	113	132		
180									50	69	89	107	124		
190									48	65	85	101	118		
200									45	62	81	96	112		
220										57	73	88	102		
240										52	67	80	93		
260											62	74	86		
280												58	69	80	
300													54	64	75

IN A	400 Volt - 50 Hz - 3 ~															
	1 four-wires cable 4 x ....mm <sup>2</sup>								4 cables 1 x ....mm <sup>2</sup>							
	1,5	2,5	4	6	10	16	25	35	50	70	95	120	150	185	240	
	cables max m															
2	285	473														
4	143	236	379													
6	95	158	253													
8	71	118	190	285												
10	57	95	152	228												
12	48	79	126	190	309											
14	41	68	108	163	265											
16	36	59	95	142	232											
18		53	84	127	206	323										
20		47	76	114	185	290										
25			61	91	148	232	358									
30			51	76	124	194	298									
35				65	106	166	256	347								
40				57	93	145	224	304								
45					82	129	199	270								
50					74	116	179	243	316							
60						97	149	203	263							
70						83	128	174	225	309						
80							112	152	197	270						
90							99	135	175	240	311					
100							89	122	158	216	280					
110								110	143	197	255	305				
120								101	132	180	233	279				
130									121	166	216	258	299			
140									113	155	200	239	278			
150									105	144	187	223	259	302		
160									99	135	175	209	243	283		
170									93	127	165	197	229	267		
180									88	120	156	186	216	252	297	
190									83	114	147	176	205	239	281	
200									79	108	140	168	195	227	267	
220										98	127	152	177	206	243	
240										90	117	140	162	189	223	
260											108	129	150	174	206	
280												100	120	139	162	
300													93	112	130	



### Maximum length of electric cables

#### Star-delta starting

IN A	230 Volt - 50 Hz - 3 ~ Y/Δ													
	2 four-wires cables 4 G ....mm <sup>2</sup>							7 cables 1 x ....mm <sup>2</sup>						
	1,5	2,5	4	6	10	16	25	35	50	70	95	120	150	
cables max m														
30	19	31	50	76	123	193								
35		27	43	65	105	165								
40		24	38	57	92	144								
45		21	34	50	82	128	198							
50			30	45	74	116	178							
60				38	62	96	148	201						
70				32	53	83	127	173	224					
80					46	72	111	151	196					
90					41	64	99	134	174					
100						58	89	121	157	215				
110						53	81	110	143	196				
120						48	74	101	131	179				
130						44	68	93	121	166	214			
140							64	86	112	154	199			
150							59	81	105	143	186			
160							56	76	98	134	174	208		
170							52	71	92	127	164	196		
180								67	87	120	155	185		
190								64	83	113	147	175	204	
200									78	108	139	167	194	
220										98	127	152	176	
240										90	116	139	161	
260										83	107	128	149	
280										77	100	119	138	
300										72	93	111	129	

IN A	400 Volt - 50 Hz - 3 ~ Y/Δ													
	2 four-wires cables 4 G ....mm <sup>2</sup>							7 cables 1 x ....mm <sup>2</sup>						
	1,5	2,5	4	6	10	16	25	35	50	70	95	120	150	
cables max m														
30	33	55	88	131	214	335								
35		47	75	113	183	287								
40		41	66	99	160	251								
45			58	88	143	223	344							
50			53	79	128	201	310							
60				66	107	167	258	350						
70				56	92	144	221	300						
80					80	126	193	263	341					
90					71	112	172	234	303					
100					64	100	155	210	273	374				
110					58	91	141	191	248	340				
120						84	129	175	228	312				
130						77	119	162	210	288	373			
140							111	150	195	267	346			
150							103	140	182	249	323			
160							97	131	171	234	303	362		
170								124	161	220	285	341		
180								117	152	208	269	322		
190								111	144	197	255	305	354	
200									137	187	242	290	337	
220										170	220	264	306	
240										156	202	242	280	
260											186	223	259	
280											173	207	240	
300											162	193	224	

- Against short-circuits and overloads to the electric pumps system we advise to follow the usually applied normative.
- To avoid a possible dry working of the electric pump in is better to install a level control.
- In order to avoid overheatings, tension drops above 3%, we advise to use suitable starting motors systems.
- All the cable wave to respect the usually applied normative and to present excellent insulation characteristics.

The tables show the maximum length of the cable depending on the current absorbed by the motor and the cross section area of the cable, at different voltages. The maximum voltage drop equal to 3%, cable temperature of 80°C, water installation similar to air installation at a temperature of 30°C.

### Choice of electric cable by calculation

For dimensioning the phase cross section area for the submersible motor need the following information:

- V: Rated voltage (V)
- I: Motor current (A)
- L: Length of cable (km)
- cos φ: power factor
- Ambient temperature (°C)

The choice of the minimum cross section area of the phase conductor is determined by the rated motor current and the values reported in Table 1.

Table 1

Type of cable*	Cable cross section mm <sup>2</sup>	Maximum cable current		Resistance R at 80°C ohm/km <sup>4)</sup>	Reactance X at 50Hz ohm/km <sup>4)</sup>
		1 Ader A <sup>1)</sup>	2 Ader A <sup>3)</sup>		
four-wires cable	1.5	18		15.1	0,142
four-wires cable	2.5	24		9.08	0,131
four-wires cable	4	32		5.63	0,121
four-wires cable	6	41		3.73	0,115
four-wires cable	10	57		2.27	0,103
four-wires cable	16	76		1.43	0,098
four-wires cable	25	96		0.91	0,097
four-wires cable	35		119	0.65	0,094
single-wire cable	50		167	0.473	0,121
single-wire cable	70		216	0.328	0,116
single-wire cable	95		264	0.236	0,118
single-wire cable	120		308	0.188	0,113
single-wire cable	150		356	0.153	0,112
single-wire cable	185		409	0.123	0,109
single-wire cable	240		485	0.094	0,110

<sup>1)</sup> IEC 60364-5-52:2009 Tab.B52.4 / C

<sup>2)</sup> IEC 60364-5-52:2009 Tab.B52.6

<sup>3)</sup> 1)×0,85 IEC 60364-5-52:2009 Tab.B52.17 ITEM2

<sup>4)</sup> UNEL 35023-70

\* Up to 35 mm<sup>2</sup> sections four-wire cable are used, from 50 mm<sup>2</sup> single core cables are recommended as well.Tab.1

The maximum current of the cables listed in Table 1 are for ambient temperature of 30 ° C.

When the temperature is different, the maximum current of the cables should be corrected by a factor given in Table 2.

Table 2 (IEC 60364-5-52:2009 Tab.B.52.14)

Ambient Temperature °C	10	15	20	25	30	35	40	45	50	55	60
Correction factor	1,22	1,17	1,12	1,06	1	0,94	0,87	0,79	0,71	0,61	0,5

The cross section area of the phase conductor is chosen by checking the voltage drop along the line , through the following equation:

$$DU\% = 1,73 \cdot I \cdot L \cdot (R \cdot \cos \varphi + X \cdot \sin \varphi) / (V \cdot 1000)$$

DU% the voltage drop should not be greater than 3%

R, X = cable resistance and reactance in ohms/km (indicated in Table 1)

$$\sin \varphi = \sqrt{1 - (\cos \varphi)^2}$$

In case of star / delta starting the rated current of the motor should be divided by 1.73.


Determination of minimal sections of the protective conductor PE.

Table 3 (CEI 64-8:2007 Tab.54F)

Phase cross section area S mm <sup>2</sup>	PE cross section area S <sub>PE</sub> mm <sup>2</sup>
S ≤ 16	S
16 < S ≤ 25	16
S > 25	S/2

### Electric control panels

#### M COMP Control panel for 1 single-phase submersible pump




Type	Protector max A	Capacitor 450Vc	Motor 230V - 1~ kW	Dimensions HxBxP mm
M COMP 4-16	4,5	16 µF	0,37	220x210x110
M COMP 4-20	4,5	20 µF	0,55	220x210x110
M COMP 5-20	5	20 µF	0,55	220x210x110
M COMP 5-25	5	25 µF	0,55	220x210x110
M COMP 6-20	6	20 µF	0,75	220x210x110
M COMP 6-35	6	35 µF	0,9	220x210x110
M COMP 7-25	7	25 µF	0,9	220x210x110
M COMP 7-30	7	30 µF	0,9	220x210x110
M COMP 8-25	8	25 µF	1,1	220x210x110
M COMP 8-30	8	30 µF	1,1	220x210x110
M COMP 10-35	10	35 µF	1,1	220x210x110
M COMP 10-40	10	40 µF	1,1	220x210x110
M COMP 12-35	12	35 µF	1,5	220x210x110
M COMP 12-50	12	50 µF	1,5	220x210x110
M COMP 12-60	12	60 µF	1,5	220x210x110
M COMP 16-70	16	70 µF	2,2	220x210x110

#### Construction

Control panel with ON-OFF switch and capacitor for 1 submersible pump with single-phase motor. Suitable for use with LVBT board for level control.

Protection is provided by means of a main bipolar switch with a phase protected against overload by means of a thermal element.

#### PFC-M Control panel for 1 submersible pump with single-phase motor, PF control



Type	Setting A	Capacitor 450Vc	Motor 50/60Hz 220V-240V - 1~ kW	Dimensions HxBxP mm
PFC-M 18-16	1 - 18	16 µF	0,37	220x210x110
PFC-M 18-20	1 - 18	20 µF	0,55	220x210x110
PFC-M 18-25	1 - 18	25 µF	0,55	220x210x110
PFC-M 18-30	1 - 18	30 µF	0,75	220x210x110
PFC-M 18-35	1 - 18	35 µF	0,75	220x210x110
PFC-M 18-40	1 - 18	40 µF	1,1	220x210x110
PFC-M 18-50	1 - 18	50 µF	1,5	220x210x110
PFC-M 18-60	1 - 18	60 µF	1,5	220x210x110
PFC-M 18-70	1 - 18	70 µF	2,2	220x210x110

#### Construction


Control panel for controlling one submersible pump with single-phase motor. Electronic control of the operation and dry-running protection through the power factor (PF) control.

The installation of level probes into the well is not required.

It stops the pump in case of lack of air cushion in the pressure vessel (patented system).

Displayed operating data and alarms available in four languages.

#### QML/A 1 D Control panel for 1 pump with single-phase motor, direct starting



Type	Motor 230V - 1~ kW	Setting A	Dimensions HxBxP mm
QML/A 1 D 12A-FA	0,25 - 1,5	1 - 12	250x205x105
QML/A 1 D 12A-FA 20	0,25 - 1,5	1 - 12	250x205x105
QML/A 1 D 12A-FA 25	0,25 - 1,5	1 - 12	250x205x105
QML/A 1 D 3 FT	2,2 - 3	13 - 18	400x300x160


#### Construction

Control panel for 1 pump with single-phase motor, direct starting for pressure booster sets, with a patented working time-measuring system that stops the pump in case of lack of air cushion in the pressure vessel.

Arranged for the capacitor internal connection (for pumps without built-in capacitor).

Pump operation controlled by an electronic board type MPS 3000 with microprocessor which allows three different modes of operation of the pump: standard, emergency and timed.

#### T COMP Control panel for 1 submersible pump with three-phase motor



Type	Protector A	Motor 230V - 3~ kW	Motor 400V - 3~ kW	Dimensions HxBxP HxBxP mm
T COMP 8	1 ÷ 8	0,37 ÷ 1,5	0,5 ÷ 2,2	170x145x85
T COMP 10	7 ÷ 10	---	3 ÷ 3,7	230x180x155
T COMP 12	9 ÷ 12	2,2	4	230x180x155
T COMP 16	11 ÷ 16	3	5,5	230x180x155
T COMP 20	14 ÷ 20	3,7 - 4	7,5	230x180x155

#### Construction

Control panel and protection for 1 submersible pump with three-phase motor.

Arranged for the LVBT level control internal connection against dry running (T COMP8 model has the level control as a standard).

Control pumps with pressure switch and float-type switch.

### Electric control panels

#### PFC-T Control panel for 1 submersible pump with three-phase motor, PF control



Type	Motor 400V - 3~ kW	Setting A	Dimensions HxBxP mm
PFC-T 16/A	0,37 - 5,5	1 - 16	250x205x105

#### Construction

Control panel for controlling 1 submersible pump with three-phase motor. Electronic control of the operation and dry-running protection through the power factor (PF) control.

The installation of level probes into the well is not required.

It stops the pump in case of lack of air cushion in the pressure vessel (patented system) Displayed operating data and alarms, available in four languages.

#### QTL/A 1 D Control panel for 1 pump with three-phase motor, direct starting



Type	Motor 400V - 3~ kW	Setting A	Dimensions HxBxP mm
QTL/A 1 D 12A-FA	0,25 - 5,5	1 - 12	250x205x105
QTL/A 1 D 7,5 FT	7,5	13 - 18	400x300x160
QTL/A 1 D 9,2 FT	9,2	17 - 23	400x300x160
QTL/A 1 D 11 FT	11	20 - 25	400x300x160

#### Construction

Control panel for 1 pump with three-phase motor, direct starting for pressure booster sets, with a patented working time-measuring system that stops the pump in case of lack of air cushion in the pressure vessel.

Pump operation controlled by an electronic card type MPS 3000 with microprocessor which allows three different modes of operation of the pump: standard, emergency and timed.

Dry-running protection with float switch.

#### QTL 1 D FTE Control panel for 1 pump with three-phase motor, direct starting



Type	Motor 400V - 3~ kW	Setting A	Dimensions HxBxP mm
QTL 1 D 4 FTE	4	6,3 - 10	400x300x160
QTL 1 D 5,5 FTE	5,5	9 - 12	400x300x160
QTL 1 D 7,5 FTE	7,5	13 - 18	400x300x160
QTL 1 D 9,2 FTE	9,2	17 - 23	400x300x160
QTL 1 D 11 FTE	11	20 - 25	400x300x160
QTL 1 D 15 FTE	15	24 - 32	500x350x200
QTL 1 D 18,5 FTE	18,5	32 - 38	500x350x200
QTL 1 D 22 FTE	22	35 - 50	500x350x200
QTL 1 D 30 FTE	30	46 - 65	500x350x200

#### Construction

Electromechanical control panel for 1 pump with three-phase motor, direct starting.

Operating signals by E 1000 led card.

Dry-running protection with float switch.

Construction with SRLE level control for probes connection against dry-running on request .

#### QTL/A 1 ST FT Control panel for 1 pump with three-phase motor, Y/Δ starting



Type	Motor Power kW	400V - 3~ Current A	Dimensions HxBxP mm
QTL/A 1 ST 5,5 FT	5,5	11 - 15	600x400x200
QTL/A 1 ST 7,5 FT	7,5	12 - 17	600x400x200
QTL/A 1 ST 11 FT	9,2 - 11	16 - 24	600x400x200
QTL/A 1 ST 15 FT	15	23 - 31	600x400x200
QTL/A 1 ST 18,5 FT	18,5	30 - 39	600x400x200
QTL/A 1 ST 22 FT	22	35 - 43	700x500x200
QTL/A 1 ST 30B FT	30	42 - 55	700x500x200
QTL/A 1 ST 30A FT	30	55 - 65	700x500x200
QTL/A 1 ST 37 FT	37	61 - 84	800x600x250
QTL/A 1 ST 45 FT	45	80 - 105	800x600x250

#### Construction

Control panel for 1 pump with three-phase motor, Y/Δ starting for pressure booster sets, with a patented working time-measuring system that stops the pump in case of lack of air cushion in the pressure vessel.

Pump operation controlled by an electronic card type MPS 3000 with microprocessor with different pump operating modes.

Dry-running protection with float switch or level control probes.

### Electric control panels

#### QTL 1 ST FTE Control panel for 1 pump with three-phase motor, Y/Δ starting

Type	Motor 400V - 3~		Dimensions
	Power kW	Current A	HxBxP mm
QTL 1 ST 5,5 FTE	5,5	11 - 15	500x350x200
QTL 1 ST 7,5 FTE	7,5	12 - 17	500x350x200
QTL 1 ST 11 FTE	9,2 - 11	16 - 24	500x350x200
QTL 1 ST 15 FTE	15	23 - 31	500x350x200
QTL 1 ST 18,5 FTE	18,5	30 - 39	500x350x200
QTL 1 ST 22 FTE	22	35 - 43	600x400x200
QTL 1 ST 30B FTE	30	42 - 55	600x400x200
QTL 1 ST 30A FTE	30	55 - 65	600x400x200
QTL 1 ST 37 FTE	37	61 - 84	700x500x200
QTL 1 ST 45 FTE	45	80 - 105	700x500x200
QTL 1 ST 55 FTE	55	100 - 125	700x500x200
QTL 1 ST 75 FTE	75	120 - 160	800x600x250
QTL 1 ST 92 FTE	92	140 - 198	800x600x250
QTL 1 ST 110 FTE	110	180 - 250	800x600x250

#### Construction

Electromechanical control panel for 1 pump with three-phase motor, Y/Δ starting.  
 Operating signals by E 1000 led board.  
 Dry-running protection with float switch.  
 Construction with SRLE level control for probes connection against dry-running on request .

#### QTL 1 SS E Control panel for 1 pump with three-phase motor, start/stop with soft starter

Type	Motor 400V - 3~ kW	Max current output max A	Dimensions HxBxP mm
QTL 1 SS 7,5 E	7,5	17	700x500x250
QTL 1 SS 15 E	9,2 - 11 - 15	30	700x500x250
QTL 1 SS 22 E	18,5 - 22	45	700x500x250
QTL 1 SS 30 E	26 - 30	60	900x600x300
QTL 1 SS 37 E	37	75	900x600x300
QTL 1 SS 45 E	45	85	900x600x300
QTL 1 SS 55 E	55	110	900x600x300
QTL 1 SS 63 E	63	125	1100x700x300
QTL 1 SS 75 E	75	142	1100x700x300
QTL 1 SS 90 E	90	190	1200x800x400
QTL 1 SS 132 E	110 - 132	245	1200x800x400

#### Construction

Control panel for 1 pump with three-phase motor, start/stop with soft starter.  
 Operating signals on E 1000 led board.  
 Application: control of submersible motor with great cable length and surface motors.  
 Dry-running protection with float switch.  
 Construction with SRLE level control for probes connection against dry-running on request .

#### QTL 1 IS FTE Control panel for 1 pump with three-phase motor, with Stator Impedance starter

Type	Motor 400V - 3~		Dimensions
	Power kW	Current A	HxBxP mm
QTL 1 IS 5,5 FTE-2RL	5,5	11 - 15	
QTL 1 IS 7,5 FTE-2RL	7,5	12 - 17	
QTL 1 IS 11 FTE-2RL	9,2 - 11	16 - 24	
QTL 1 IS 15 FTE-2RL	15	23 - 31	
QTL 1 IS 18,5 FTE-2RL	18,5	30 - 39	
QTL 1 IS 22 FTE-2RL	22	35 - 43	
QTL 1 IS 30 FTE-2RL	30	42- 65	
QTL 1 IS 37 FTE-2RL	37	61 - 84	
QTL 1 IS 45 FTE-2RL	45	80 - 105	
QTL 1 IS 55 FTE-2RL	55	100 - 125	
QTL 1 IS 75 FTE-2RL	75	120 - 160	
QTL 1 IS 92 FTE-2RL	92	140 - 198	
QTL 1 IS 110 FTE-2RL	110	180 - 250	

#### Construction

Electromechanical control panel for 1 submersible pump with three-phase motor, with Stator Impedance starter.  
 Operating signals on led board type E 1000.  
 Application : submersible motors control with great cable length.  
 Construction with SRLE level control for probes connection against dry-running .

## Electric control panels

### QML 1 VFT Control panel for 1 pump with variable speed three-phase motor



Type	Motor 230V - 3~ kW	Max current output max A	Dimensions HxBxP mm
QML 1 VFT 0,4	0,37 - 0,45	2,4	500x350x200
QML 1 VFT 0,75	0,55 - 0,75	4,2	500x350x200
QML 1 VFT 1,5	1,1 - 1,5	7,5	500x350x200
QML 1 VFT 2,2	2,2	10	500x350x200

#### Construction

**Single-phase mains supply** control panel with frequency converter for 1 pump with three-phase variable speed motor, for constant pressure booster sets.

Arranged for SRL 3 level control application for probes connection against dry-running.

Pump operation controlled by an electronic board type MPS 4000 with microprocessor.

### QTL 1 VFT Control panel for 1 pump with variable speed three-phase motor



Type	Motor 400V - 3~ kW	Max current output max A	Dimensions HxBxP mm
QTL 1 VFT 0,4	0,4	1,5	500x350x200
QTL 1 VFT 0,75	0,55 - 0,75	2,3	500x350x200
QTL 1 VFT 1,5	1,1 - 1,5	4,1	500x350x200
QTL 1 VFT 2,2	2,2	5,5	500x350x200
QTL 1 VFT 4	3 - 4	9,5	500x350x200
QTL 1 VFT 5,5	5,5	14,3	600x400x250
QTL 1 VFT 7,5	7,5	17	600x400x250
QTL 1 VFT 11	9,2 - 11	27,7	700x500x250
QTL 1 VFT 15	15	33	700x500x250
QTL 1 VFT 18,5	18,5	46,3	800x600x250
QTL 1 VFT 22	22	61,5	800x600x250
QTL 1 VFT 30	30	74,5	900x600x250
QTL 1 VFT 37	37	88	1100x700x300
QTL 1 VFT 45	45	106	1200x800x300
QTL 1 VFT 55	55	145	1200x800x300
QTL 1 VFT 75	75	173	1200x800x300

#### Construction

Control panel with frequency converter for 1 pump with three-phase variable speed motor, for constant pressure booster sets.

Arranged for SRL 3 level control application for probes connection against dry-running.

Pump operation controlled by an electronic board type MPS 4000 with microprocessor.

# NCE

Heating and conditioning



## NCE EI



pag. 450

Energy saving circulating pumps

## NCE EL



pag. 479

Energy saving circulating pumps for solar systems

## NCE(D) H



pag. 454

Energy saving circulating pumps

## NCE ES



pag. 483

Energy saving circulating pumps for sanitary hot water

## NCE(D) H F



pag. 461

Energy saving circulating pumps with flanges

## NCE PS



pag. 486

Energy saving circulating pumps for sanitary hot water

## NCE(D) HQ F



pag. 468

Energy saving circulating pumps

## NCS3



pag. 490

Circulating pumps for sanitary hot water

## NC3



pag. 493

Three speeds circulating pumps with threaded ports



## ENERGY EFFICIENCY OF CIRCULATING PUMPS

### Directive of the European Parliament COMMISSION REGULATION (EC) No 641/2009 and 622/2012

Eco-design Directive of Energy Using Products (**ErP Directive - Energy-related Products**). The European Union wants to improve the design of equipment that "consume" significant energy e.g. (televisions, refrigerators, washing machines, boilers, pumps, and motors etc.) To improve eco-design providing environmental sustainability, reducing negative environmental impact as the consequence of production, use and disposal of products.



The objective of the Directive is to force manufacturers and importers to produce and distribute products with high energy efficiency, and carbon output.

The criteria for eco-design will be an integral part of the declaration of conformity (**CE**), which is a necessary requirement/mark for products being sold in the EU.

#### This Regulation shall apply to:

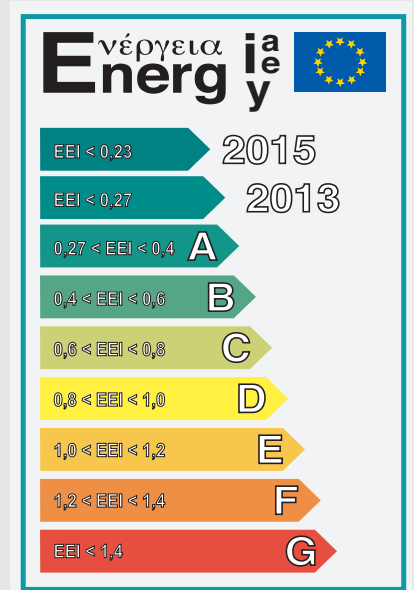
Stand-alone\* or integrated\*\* circulators with the motor immersed in the pumped medium, with hydraulic power from 1 up to 2500 W, designed for use in heating systems or in secondary circuits of cooling distribution systems.

\* Stand alone circulators are commonly available on the market.

\*\* circulators integrated in products are component of a device, such as boilers, heat pumps, etc..

#### This Regulation shall not apply to:

- drinking water circulators
- circulators integrated in products and placed on the market not later than 1 January 2020 as replacement for identical circulators integrated in products and placed on the market no later than 1 August 2015. The replacement product or its packaging must clearly indicate the product(s) for which it is intended.



### STANDARD OPERATING MODE IN CIRCULATING PUMPS

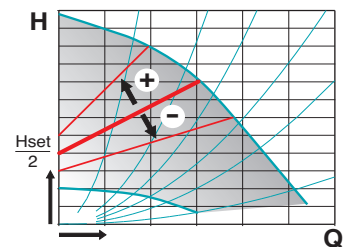


#### Proportional pressure curve

In the proportional pressure operating mode the pump changes the working pressure in-line with the flow demand of the system.

This operating mode is mainly used in:

- two pipe heating systems with thermostatic valves,
- systems with long pipelines;
- systems with high head losses.

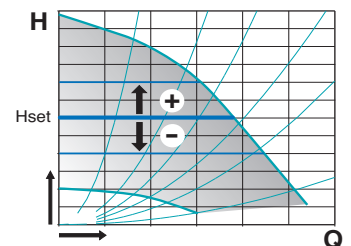


#### Constant pressure curve

In the constant pressure operating mode, the pump, keeps the pressure constant when the demand for water changes.

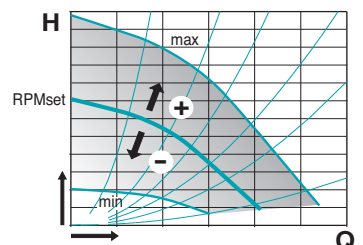
This operating mode is mainly used in:

- two pipe heating systems with thermostatic valves and low head losses
- underfloor heating systems with thermostatic valves;
- one pipe heating systems with thermostatic valves.



#### Constant speed curve

In this operating mode the pump works as a traditional pump with a constant curve, the operating curve can be chosen by the user within a range of curves.





### Construction

Energy saving variable speed circulating pump driven by a permanent magnet synchronous motor (pm) controlled by on board inverter.

### Applications

Small domestic heating systems.  
Floor heating systems.

### Operating conditions

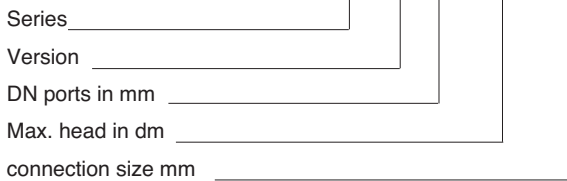
- Liquid temperature from +2 °C to +95 °C
- Ambient temperature from 0 °C to +40 °C
- Maximum permissible working pressure: 6 bar
- Storage: -20°C/+70°C max. relative humidity 95% at 40 °C
- Certifications: in conformity with CE requirements
- Sound pressure  $\leq$  43 dB (A).
- Minimum suction pressure: 0,3 bar at 50 °C  
1,0 bar at 95 °C
- Maximum glycol quantity: 40%
- EMC according to: EN 55014-1, EN 61000-3-2, EN 55014-2
- Connections: threaded ports ISO 228: G 1, G 1 1/2, G 2
- The benchmark for most efficient circulators is EEI  $\leq$  0,20.
- Minimum power: 3 W.

### Motor

- Synchronous motor with permanent magnet.
- Motor: variable speed
  - Standard voltage: single-phase 230 V (-10%;+6%)
  - Frequency: 50-60 Hz
  - Protection: IP 44
  - Insulation class: H
  - Class II appliance
  - Overload protection (jammed rotor):
    - 1) automatic protection with electronic rotor release
    - 2) Overload thermal protector
  - Cable: phases and neutral
  - Constructed in accordance with: EN 60335-1, EN 60335-2-51.

### Designation

NCE EI 32 - 60 / 180



### Special features on request

Brass or cast iron unions.  
EPP thermal insulation shell.

## Features

### Compact design

The space saving **NCE EI** is a very compact circulating pump, allows inr easy installation in small domestic heating systems.

### Easy to install and to adjust

Installing the **NCE EI** is considerably simplified by the quick setting and power installation plug.

### Reliable

Like all our electronic circulating pumps, the **NCE EI** features the patented self-cleaning square chamber design, which eliminates any possibility of rotor blockage.

Ceramic shaft

Hydraulics components are completely painted with cataphoresis.

### Easy use

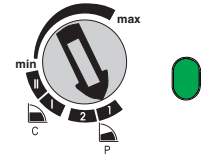
Operating range with fixed curves from 0,5 m to 7 m; possibility to choose 2 (1-2) proportional pressure curves and 2 (I-II) constant pressure curves.

### Operating modes



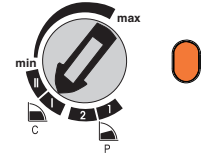
#### PROPORTIONAL CURVE PROGRAMMING $\Delta p-v$ (GREEN LED)

Moving the switch to 1 or 2 setting, the pump operates with the proportional curve. This mode ensures maximum energy efficiency.



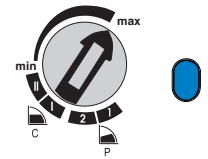
#### CONSTANT CURVE PROGRAMMING $\Delta p-c$ (ORANGE LED)

Moving the switch to I or II setting, the pump operates with a constant curve according to the selected flow rates.



#### MANUAL PROGRAMMING (BLUE LED)

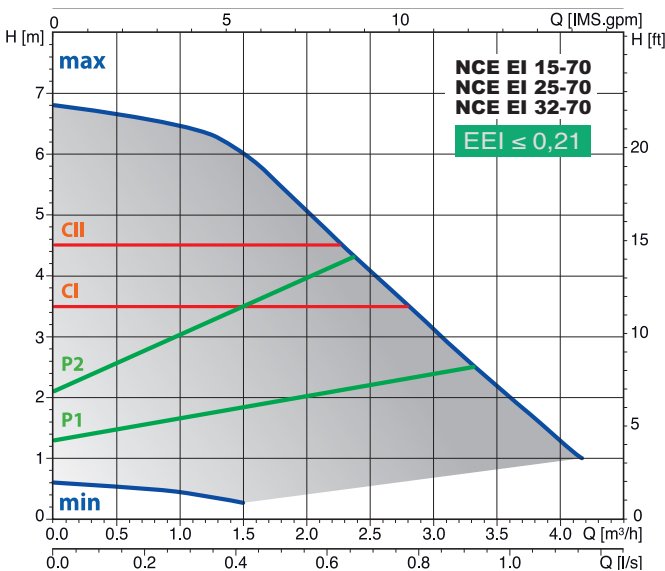
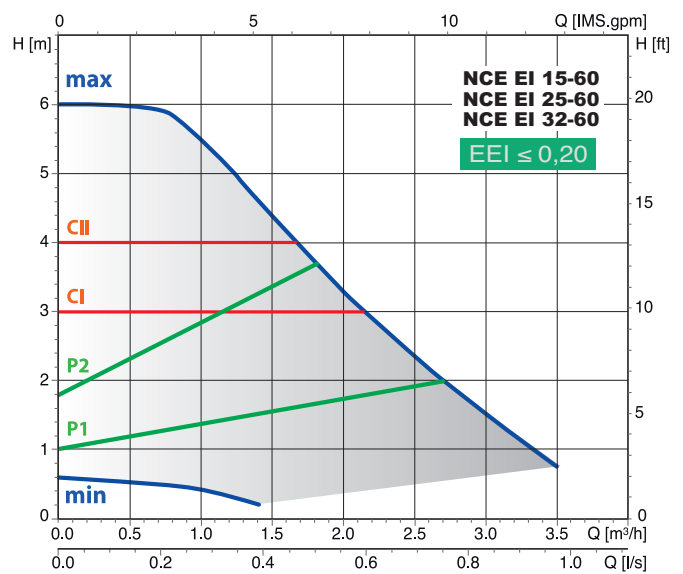
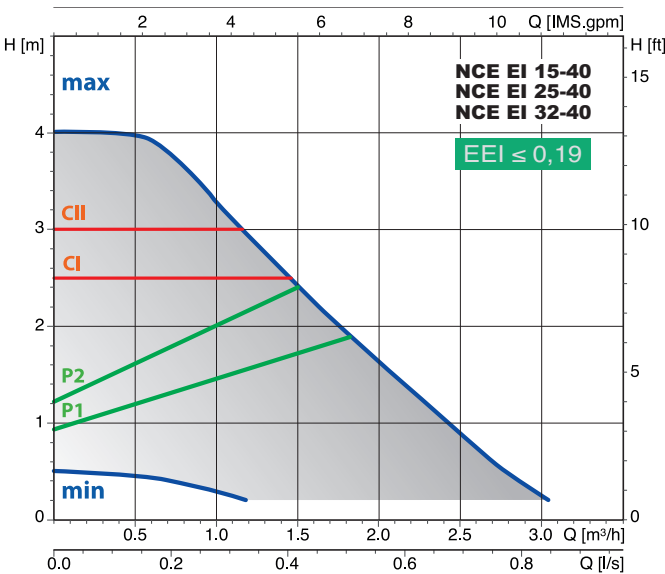
Setting the switch in any position between the MIN and MAX points, the most suitable operating curve for the installation is manually selected.



#### WARNING!

- The red LED indicates that the pump is not rotating but is still under tension.
- White flashing LED : plant degassing requirement, air in the system.

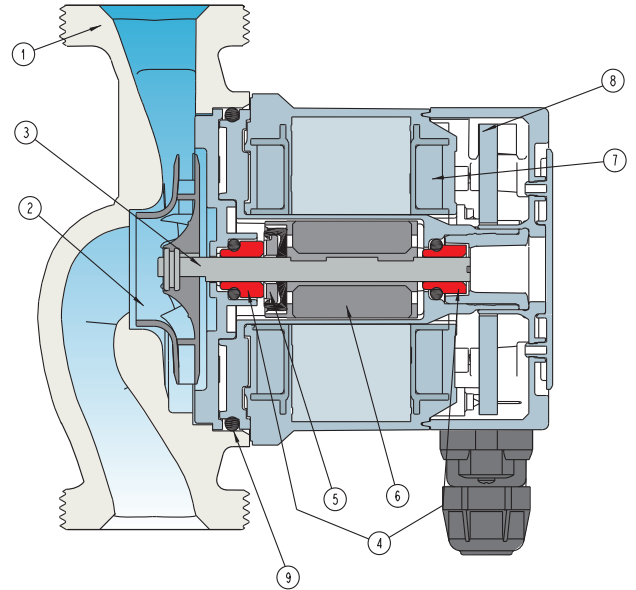
### Characteristic curves



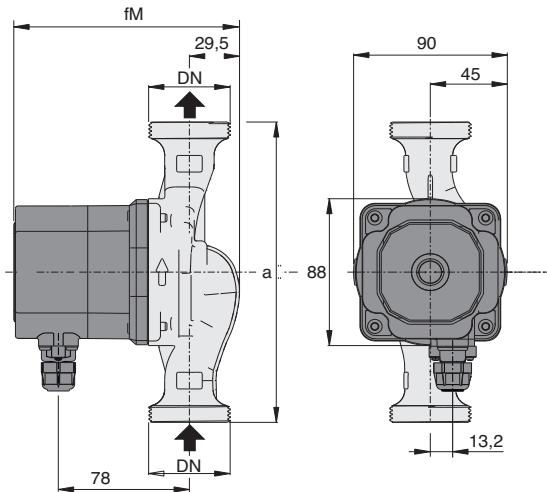
**CI-CII** constant curve  
**P1-P2** proportional curve  
**min-max** n fixed curves

### Materials

Component	Pos.	Material
Pump casing	1	Cast iron GJL 200 EN 1561
Impeller	2	Composite
Shaft	3	Ceramic
Bearings	4	Carbon
Thrust bearing	5	Ceramic
Rotor	6	Composite / Ferrite
Winding	7	Copper wire
Electronic card	8	-
Gasket	9	EPDM

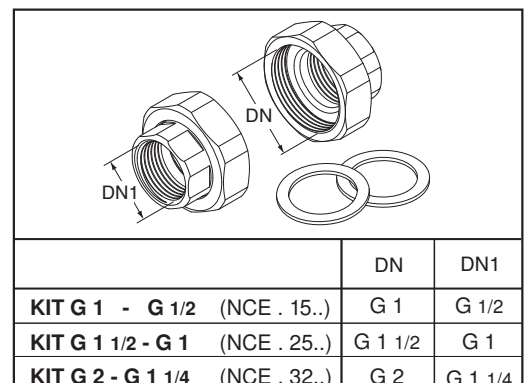


### Dimensions and weights



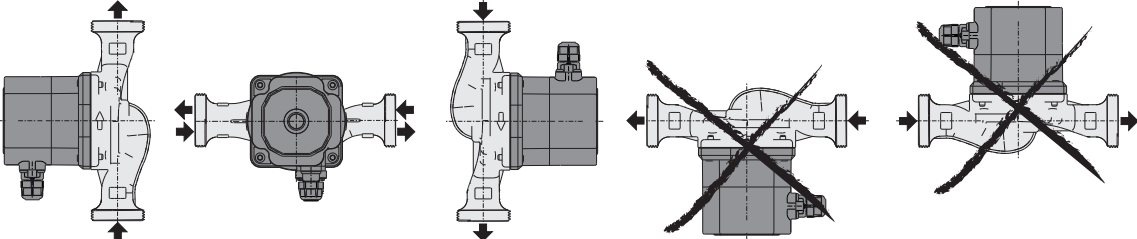
TYPE	DN	230V		P1		mm		kg
		A max	A min	W max	W min	fm	a	
NCE EI 15-40/130	G 1	0,17	0,03	22	3	134	130	1,67
NCE EI 25-40/130	G 1 1/2							1,81
NCE EI 25-40/180	G 1 1/2	0,17	0,03	22	3	134	180	1,96
NCE EI 32-40/180	G 2							2,10
NCE EI 15-60/130/A	G 1	0,33	0,03	42	3	134	130	1,67
NCE EI 25-60/130/A	G 1 1/2							1,81
NCE EI 25-60/180/A	G 1 1/2	0,33	0,03	42	3	134	180	1,96
NCE EI 32-60/180/A	G 2							2,10
NCE EI 15-70/130	G 1	0,44	0,03	56	3	144	130	1,91
NCE EI 25-70/130	G 1 1/2							2,05
NCE EI 25-70/180	G 1 1/2	0,44	0,03	56	3	144	180	2,20
NCE EI 32-70/180	G 2							2,34

### Unions (on request)

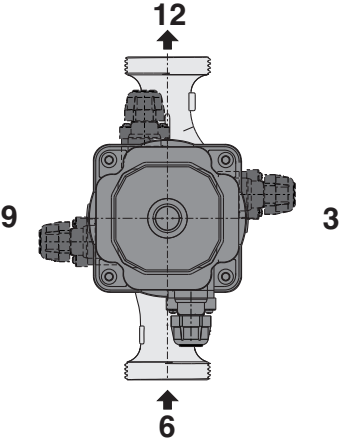


### Examples of installations

#### Installation



#### Terminal box arrangement (on request)



# NCE(D) H

Energy saving circulating pumps



## Construction

Energy saving variable speed circulating pump driven by a permanent magnet synchronous motor (pm) controlled by on board inverter.

## Applications

Heating and conditioning systems.

## Operating conditions

- Liquid temperature from +2 °C to +110 °C
- Ambient temperature from 0 °C to +40 °C
- Maximum permissible working pressure: 10 bar
- Storage: -20°C/+70°C max. relative humidity 95% at 40 °C
- Certifications: in conformity with CE requirements
- Sound pressure  $\leq$  40 dB (A).
- Minimum suction pressure: - 0,05 bar at 75 °C  
- 0,28 bar a 90 °C.
- Maximum glycol quantity: 20%.
- EMC according to: EN 55014-1, EN 55014-2  
EN 61000-3-2, EN 61000-3-2.
- Connections: threaded ports ISO 228: G 1 1/2, G 2.
- The benchmark for most efficient circulators is  $EEL \leq 0,20$ .

## Motor

Synchronous motor with permanent magnet.

- Motor: variable speed
- Standard voltage: single-phase 230 V (-10%;+6%)
- Frequency: 50/60 Hz
- Protection: IP 44
- Insulation class: F
- Overload protection (integrated).
- Cable: phases and neutral.
- Constructed in accordance with: EN 60335-1, EN 60335-2-51.

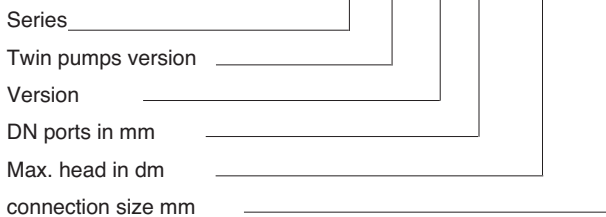
## Special features on request

Additional module (included with NCEDH):

- Modbus
- Ethernet
- analog input 0-10V
- remote on/off input
- output relay

## Designation

NCE(D) H 25 - 100 / 180



## Features

### Smart pump

NCE H adapt its functions to the system: the circulator measures the pressure and the flow and adjusts the speed to the selected pressure.

### Easy use

There are different operating modes selectable from the control panel.

### Operating modes



**Automatic mode**

(factory setting):

In this mode the pump automatically sets the operating pressure, depending on the hydraulic system. This mode is recommended in most systems.



**Proportional pressure mode:**

The circulator changes the pressure proportionally to the current flow.

The pressure value can be adjusted with the + and - buttons.



**Constant pressure mode:**

The circulator maintains the pressure constant when the reference flow changes.

The pressure value can be adjusted with the + and - buttons.



**Fixed speed mode:**

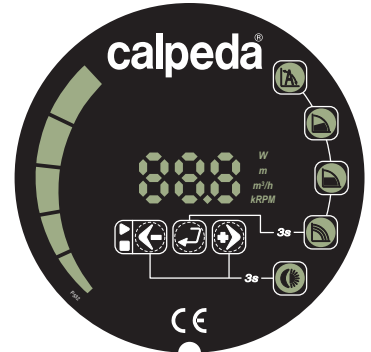
The circulator works with constant curve and the curve could be changed using + e - buttons.



**Night mode:**

When the liquid temperature fall by 15-20°C the pump automatically swiches to night mode, in practice the circulator works at minimum curve.

When the temperature rises again the pump comes back to the selected mode  
The night mode could be selected with any operating mode.



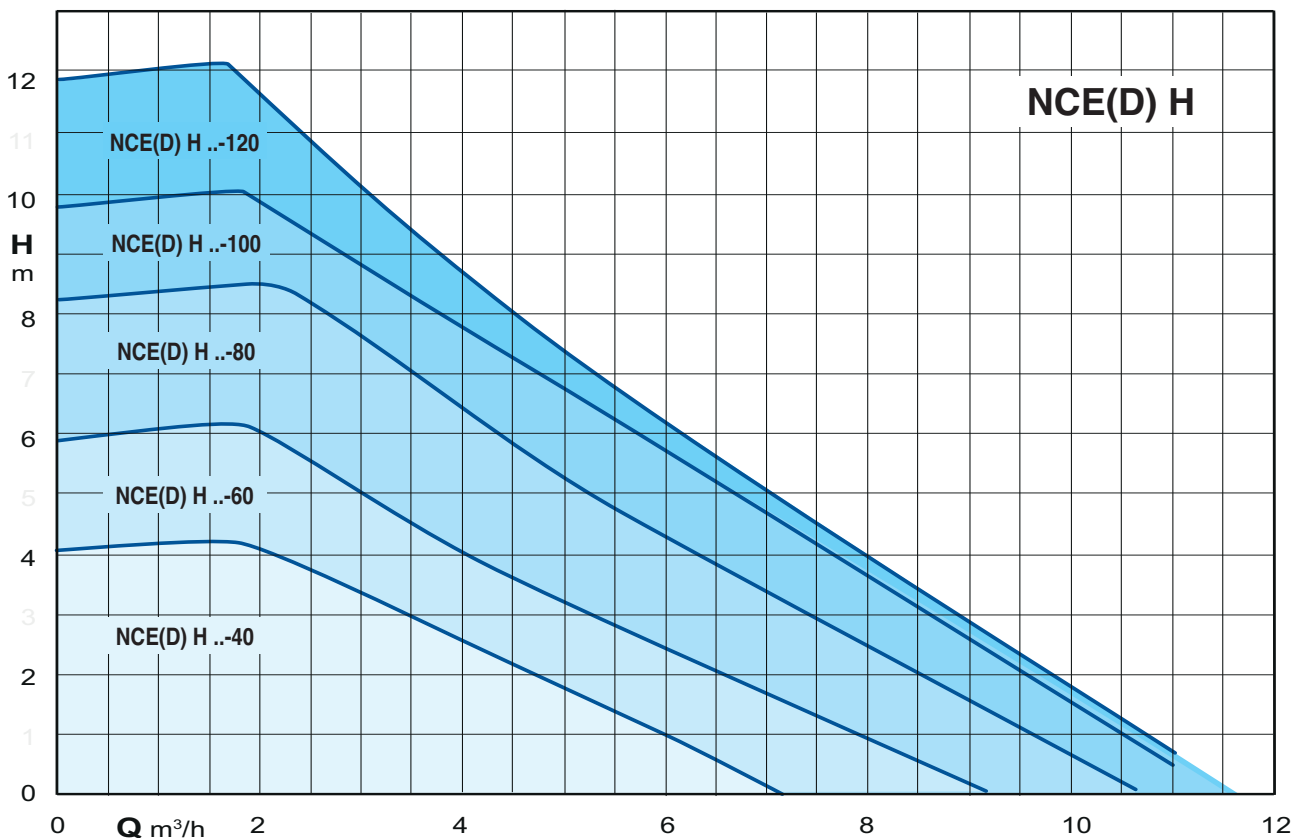
**Operating mode-control panel**

NCE(D) H could works in:

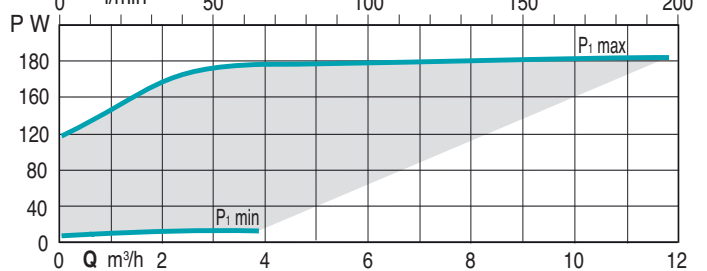
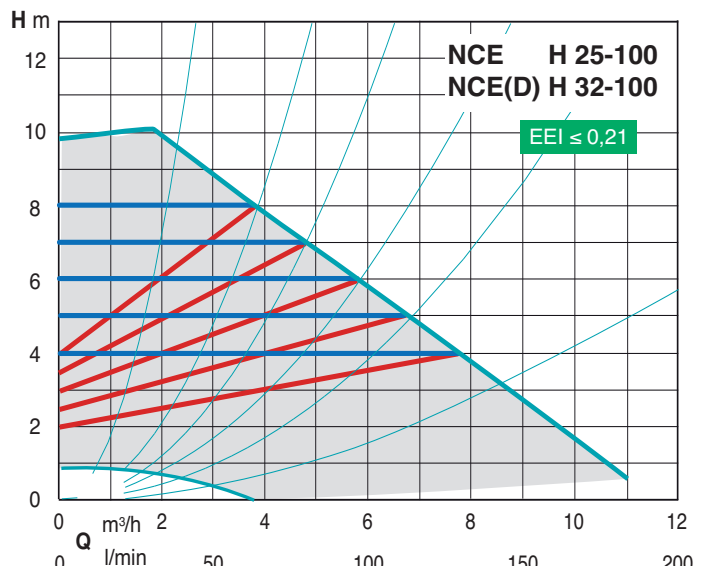
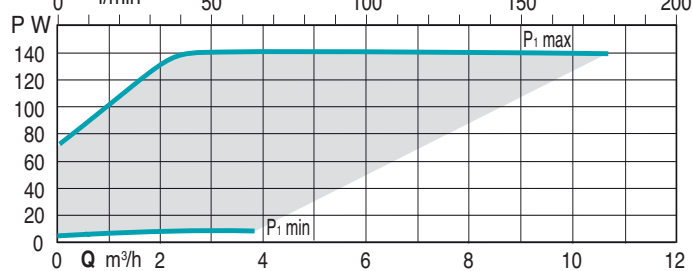
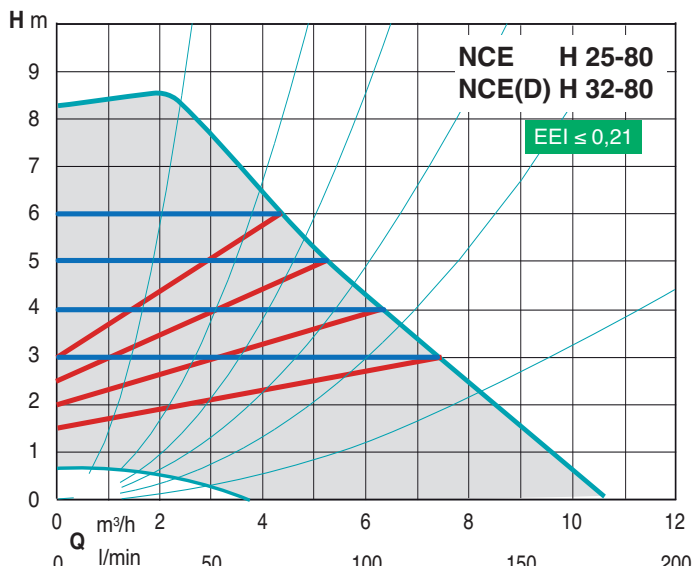
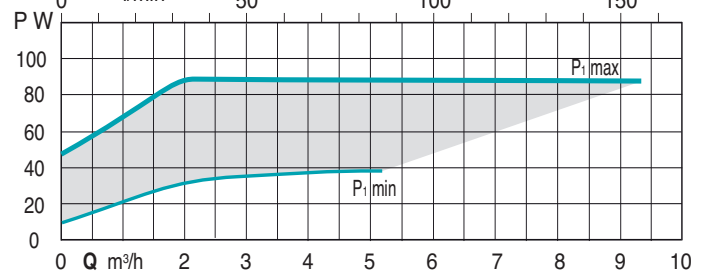
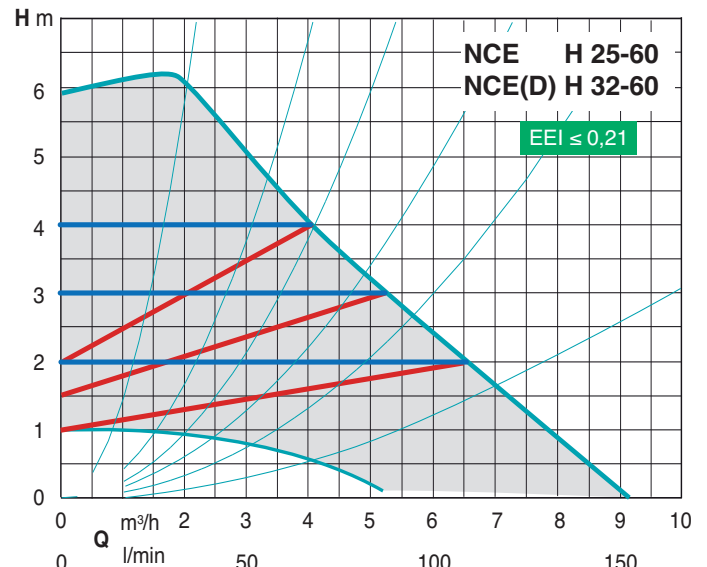
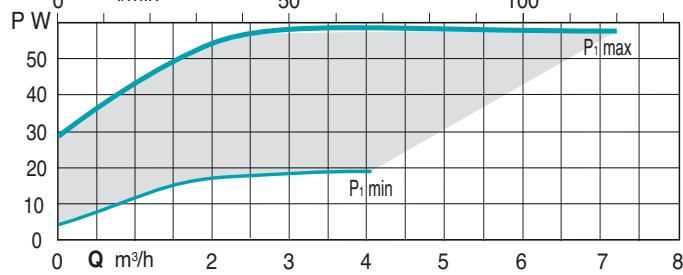
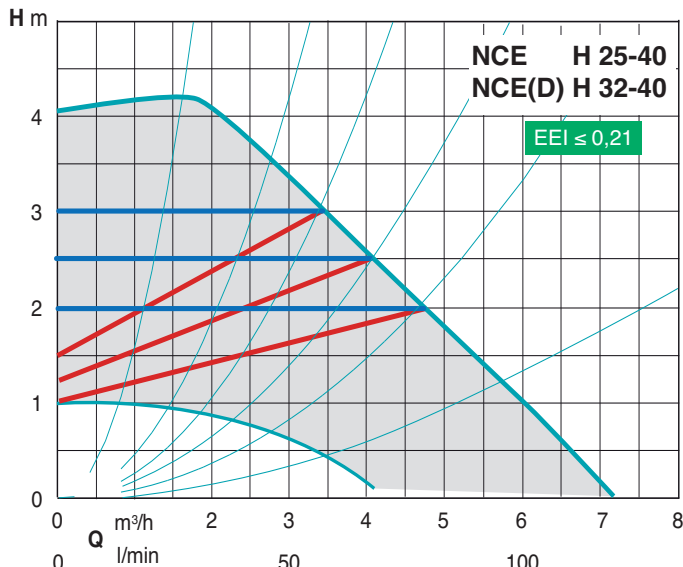
- automatic mode
- proportional pressure mode
- constant pressure mode
- fixed speed mode
- night mode

The night mode could be selected with any operating mode.

### Coverage chart



## Characteristic curves



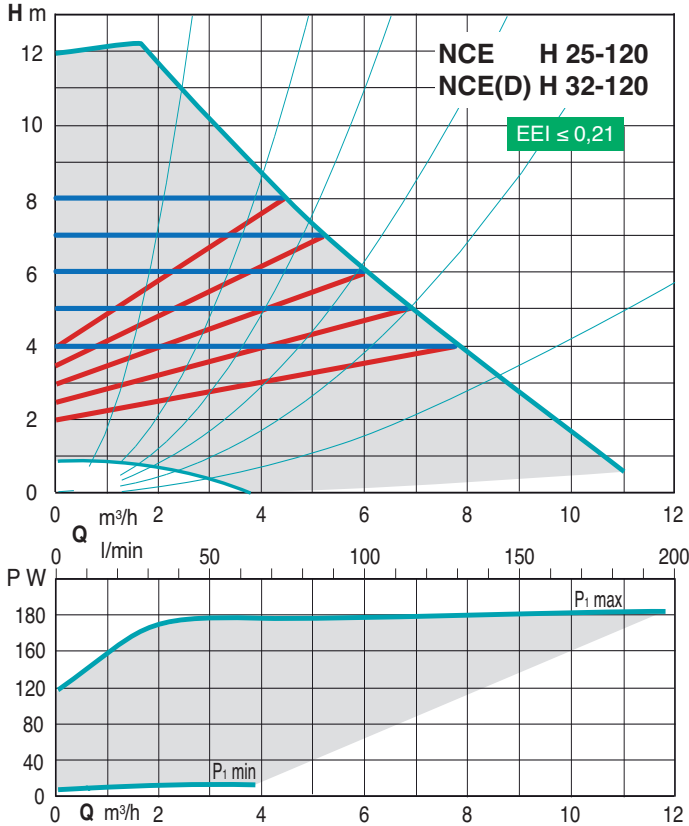


# NCE(D) H

Energy saving circulating pumps

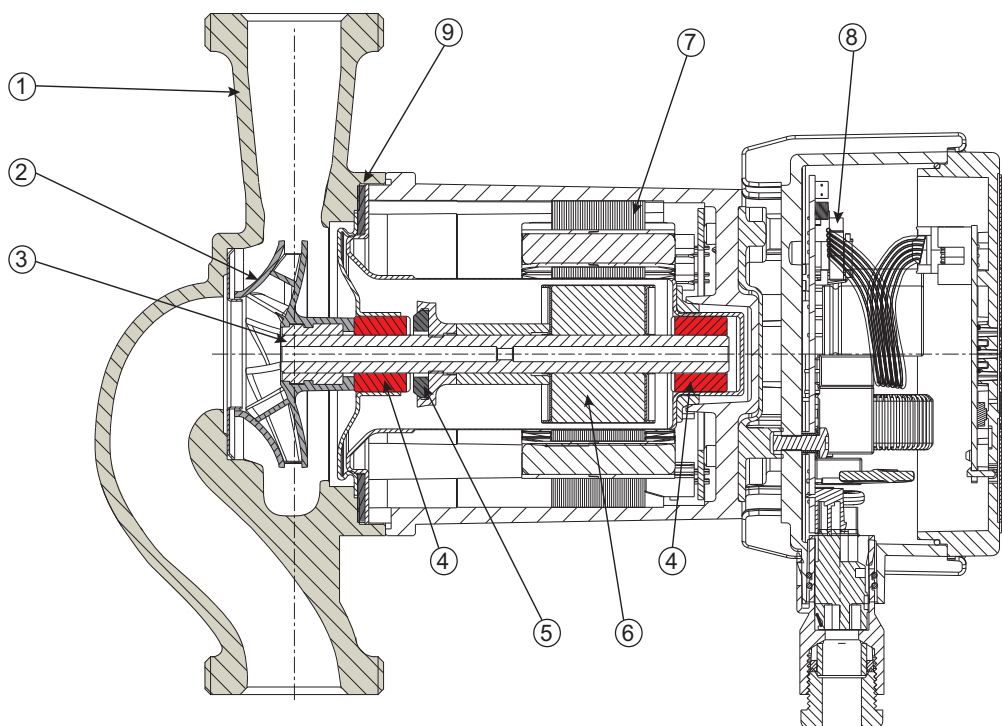


## Characteristic curves

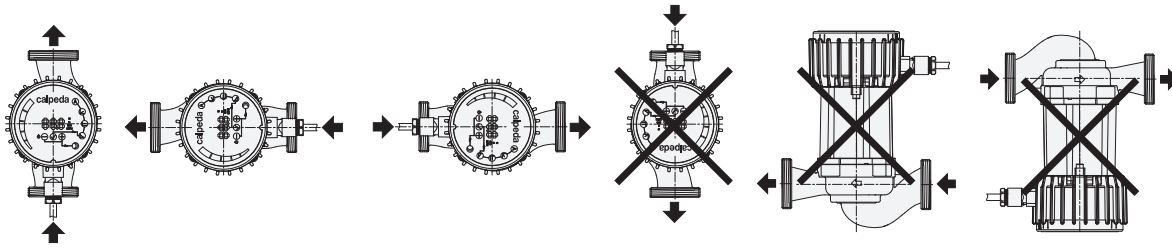


### Materials

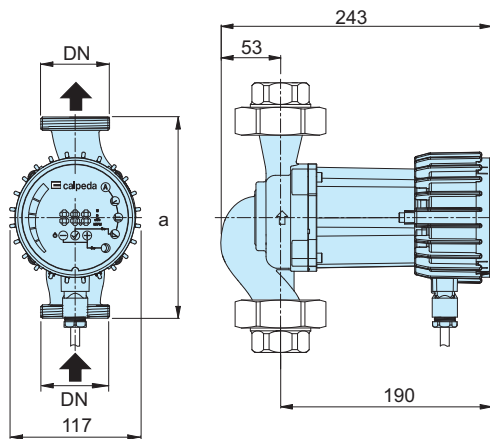
Component	Pos.	Material
Pump casing	1	Cast iron GJL 200 EN 1561
Impeller	2	Composite
Shaft	3	Stainless steel
Bearings	4	Carbon
Thrust bearing	5	Ceramic
Rotor	6	Stainless steel jacket
Winding	7	Copper wire
Electronic card	8	-
Gasket	9	EPDM



### Examples of installations

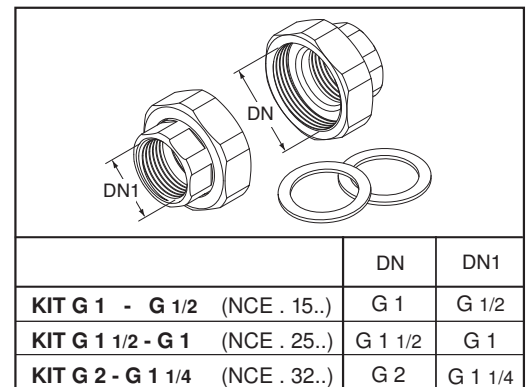


### Dimensions and weights

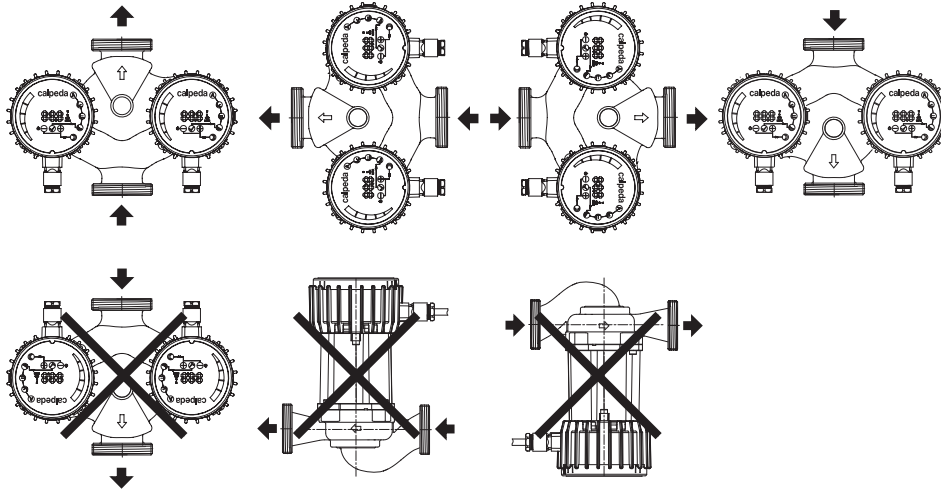


TYPE	DN	H m	Q m <sup>3</sup> /h	1~ 230 V		P <sub>1</sub>		a mm	kg
				A min	A max	W min	W max		
NCE H 25-40/180 NCE H 32-40/180	G 1 1/2 G 2	4	5	0,1	0,5	10	60	180	4 4,1
NCE H 25-60/180 NCE H 32-60/180	G 1 1/2 G 2	6	7,5	0,1	0,75	10	90	180	4 4,1
NCE H 25-80/180 NCE H 32-80/180	G 1 1/2 G 2	8	9	0,1	1,15	10	140	180	4 4,1
NCE H 25-100/180 NCE H 32-100/180	G 1 1/2 G 2	10	11	0,1	1,5	10	180	180	4 4,1
NCE H 25-120/180 NCE H 32-120/180	G 1 1/2 G 2	12	15	0,1	1,5	10	180	180	4 4,1

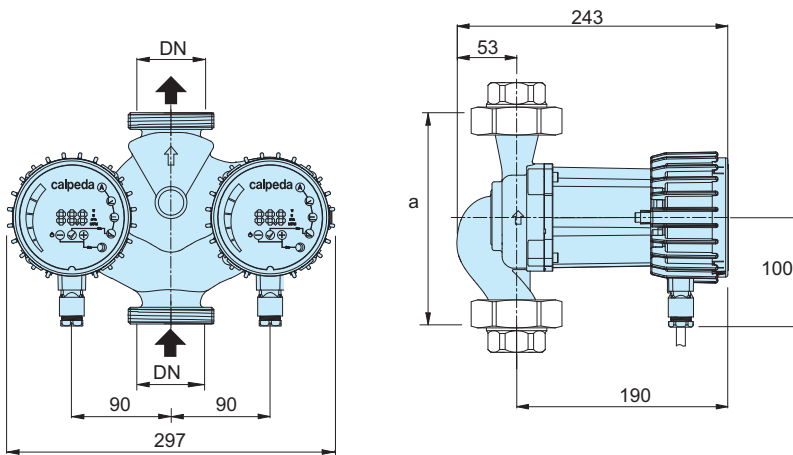
### Unions (on request)



## Examples of installations



## Dimensions and weights



Unions (on request)

TYPE	DN	H m	Q m <sup>3</sup> /h	1~ 230 V		P <sub>1</sub>		a mm	kg
				A min	A max	W min	W max		
NCED H 32-40/180	G 2	4	5	0,1	0,5	10	60	180	8
NCED H 32-60/180	G 2	6	7,5	0,1	0,75	10	90	180	8
NCED H 32-80/180	G 2	8	9	0,1	1,15	10	140	180	8
NCED H 32-100/180	G 2	10	11	0,1	1,5	10	180	180	8
NCED H 32-120/180	G 2	12	15	0,1	1,5	10	180	180	8

TYPE	DN	DN1
KIT G 1 - G 1/2 (NCE . 15..)	G 1	G 1/2
KIT G 1 1/2 - G 1 (NCE . 25..)	G 1 1/2	G 1
KIT G 2 - G 1 1/4 (NCE . 32..)	G 2	G 1 1/4

# NCE(D) H.F Energy saving circulating pumps with flanges



## Construction

Energy saving variable speed circulating pump driven by a permanent magnet synchronous motor (pm) controlled by on board inverter.

## Applications

Heating and conditioning systems.

## Operating conditions

- Liquid temperature from +2 °C to +110 °C
- Ambient temperature from 0 °C to +40 °C
- Maximum permissible working pressure: 10 bar
- Storage: -20°C/+70°C max. relative humidity 95% at 40 °C
- Certifications: in conformity with CE requirements
- Sound pressure  $\leq$  40 dB (A).
- Minimum suction pressure:
  - 0,05 bar at 75 °C
  - 0,28 bar a 90 °C.
- Maximum glycol quantity: 20%.
- EMC according to: EN 55014-1, EN 55014-2  
EN 61000-3-2, EN 61000-3-2.
- Connections: Flanges according to PN 6/10, EN 1092-2, DN 32, 40, 50.
- The benchmark for most efficient circulators is  $EEL \leq 0,20$ .

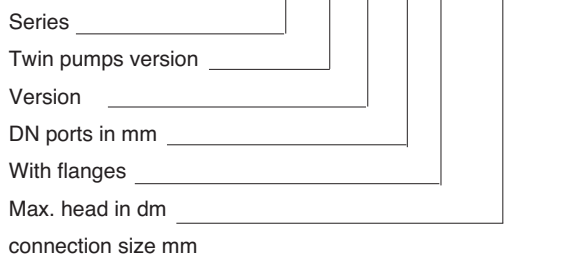
## Motor

Synchronous motor with permanent magnet.

- Motor: variable speed
- Standard voltage: single-phase 230 V (-10%;+6%)
- Frequency: 50/60 Hz
- Protection: IP 44
- Insulation class: F
- Overload protection (integrated).
- Cable: phases and neutral.
- Constructed in accordance with: EN 60335-1, EN 60335-2-51.

## Designation

NCE(D) H 40 F - 60 / 220



## Special features on request

Additional module (included with NCE(D) H.F):

- Modbus
- Ethernet
- analog input 0-10V
- remote on/off input
- output relay

## Features

### Smart pump

NCE H.F adapt its functions to the system: the circulator measures the pressure and the flow and adjusts the speed to the selected pressure.

### Easy use

There are different operating modes selectable from the control panel.

# NCE(D) H.F Energy saving circulating pumps with flanges



## Operating modes



### Automatic mode

(factory setting):

In this mode the pump automatically sets the operating pressure, depending on the hydraulic system. This mode is recommended in most systems.



### Proportional pressure mode:

The circulator changes the pressure proportionally to the current flow. The pressure value can be adjusted with the + and - buttons.



### Constant pressure mode:

The circulator maintains the pressure constant when the reference flow changes. The pressure value can be adjusted with the + and - buttons.



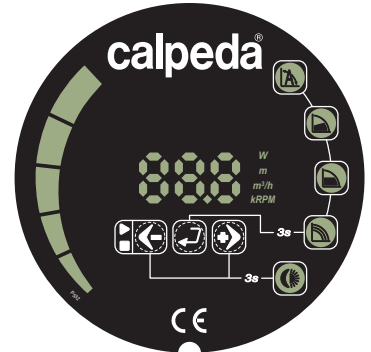
### Fixed speed mode:

The circulator works with constant curve and the curve could be changed using + e - buttons.



### Night mode:

When the liquid temperature fall by 15-20°C the pump automatically swiches to night mode, in practice the circulator works at minimum curve. When the temperature rises again the pump comes back to the selected mode. The night mode could be selected with any operating mode.



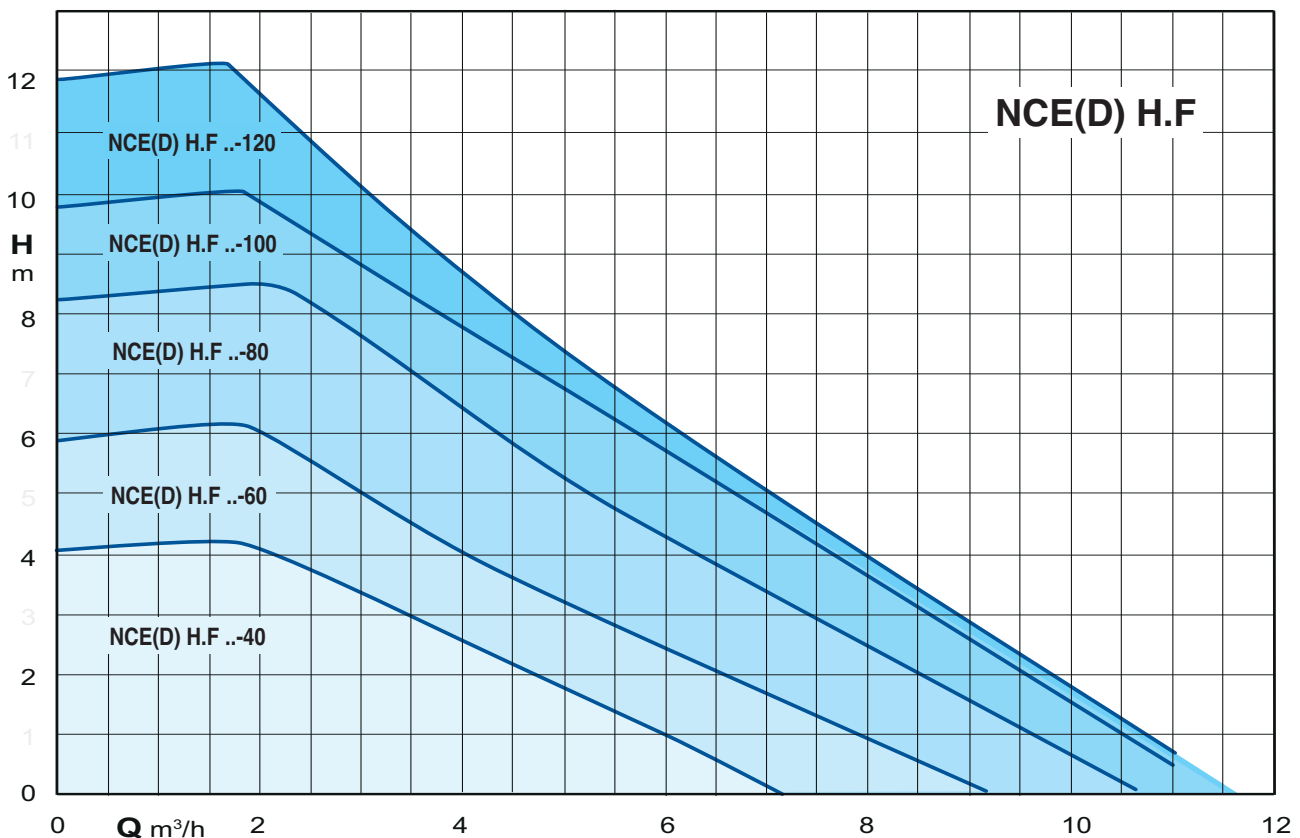
### Operating mode-control panel

NCE(D) H.F could works in:

- automatic mode
- proportional pressure mode
- constant pressure mode
- fixed speed mode
- night mode

The night mode could be selected with any operating mode.

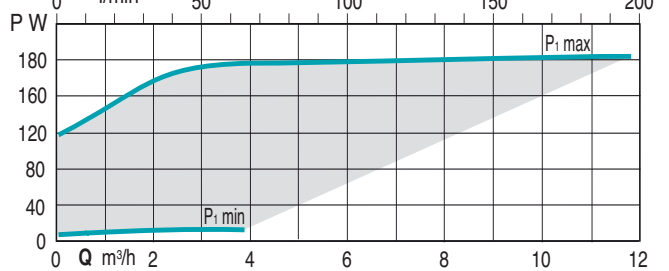
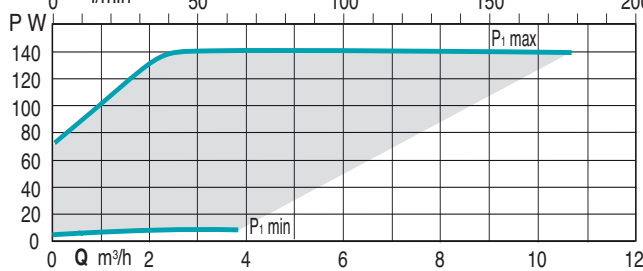
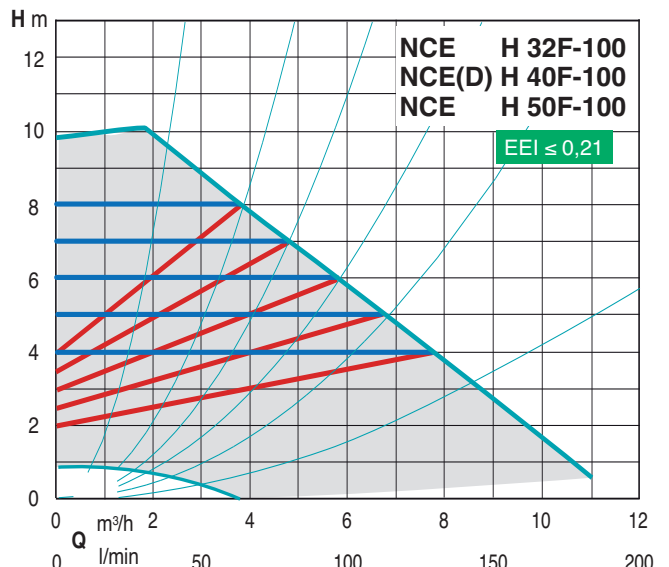
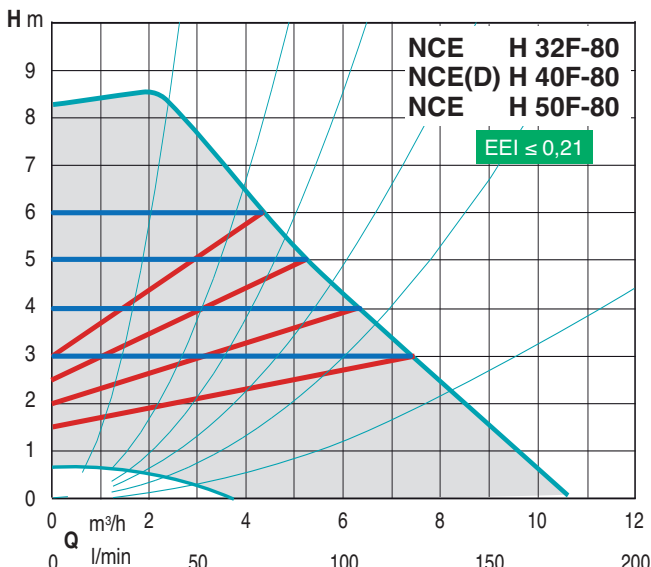
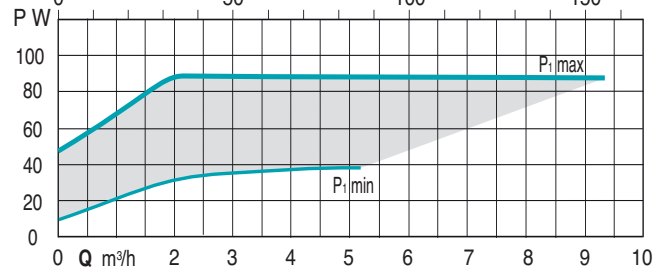
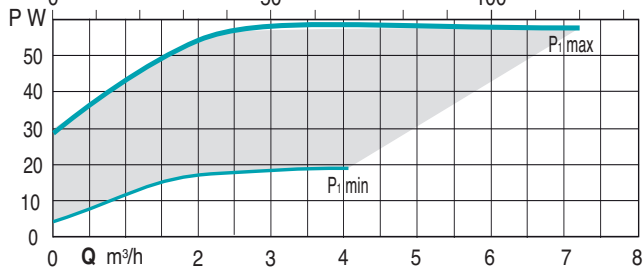
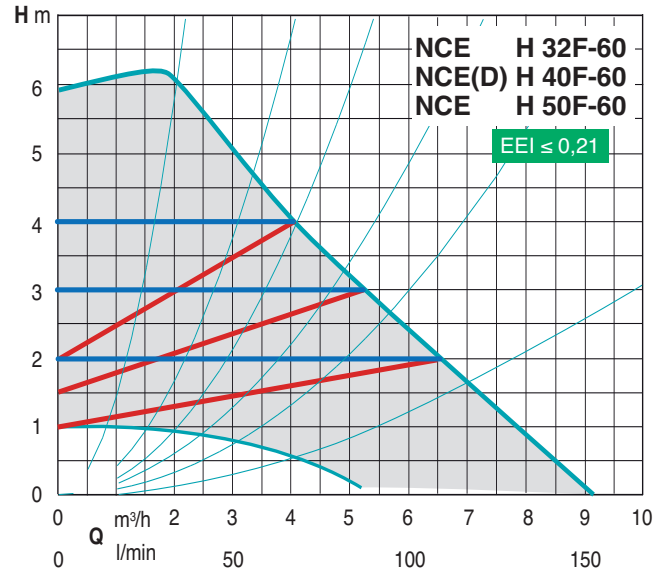
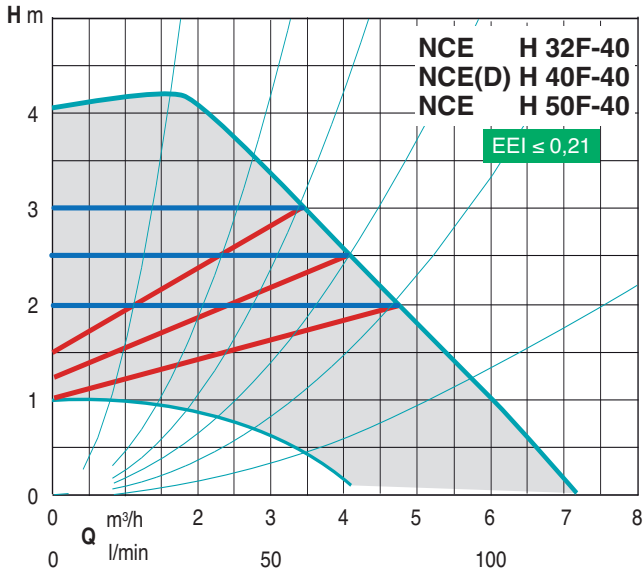
## Coverage chart



# NCE(D) H.F Energy saving circulating pumps with flanges



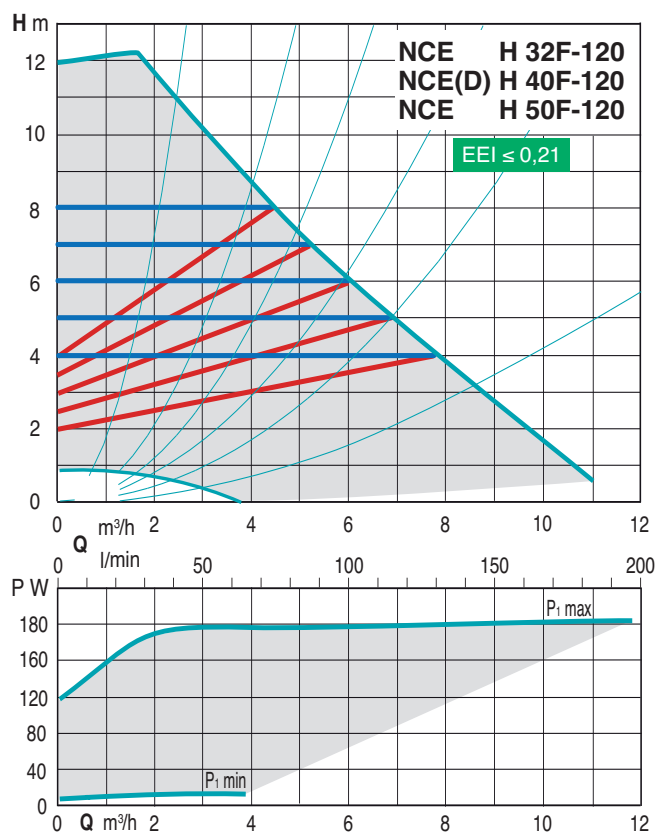
## Characteristic curves



# NCE(D) H.F Energy saving circulating pumps with flanges



## Characteristic curves



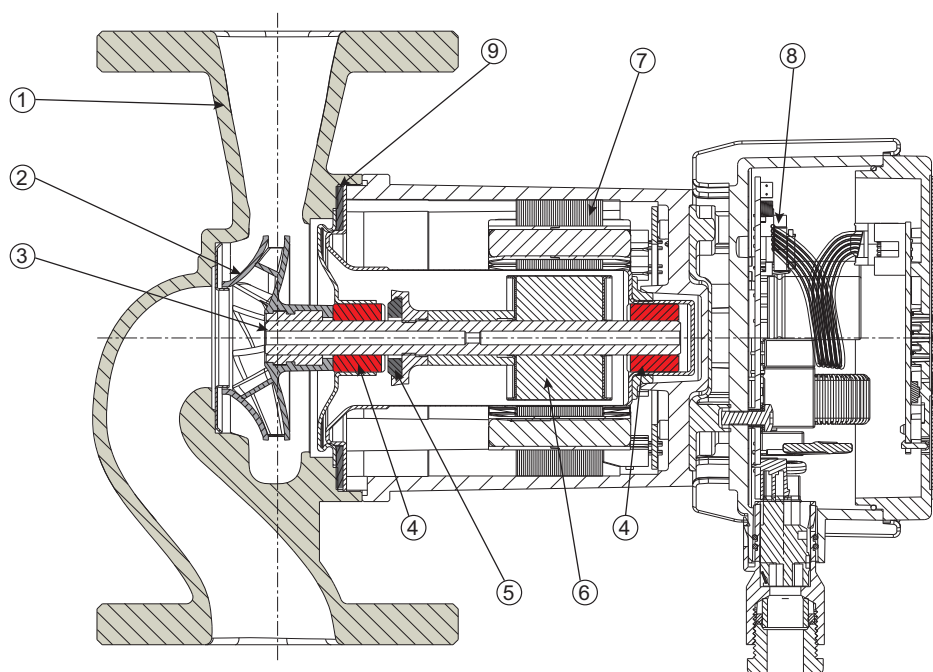


# NCE(D) H.F Energy saving circulating pumps with flanges



## Materials

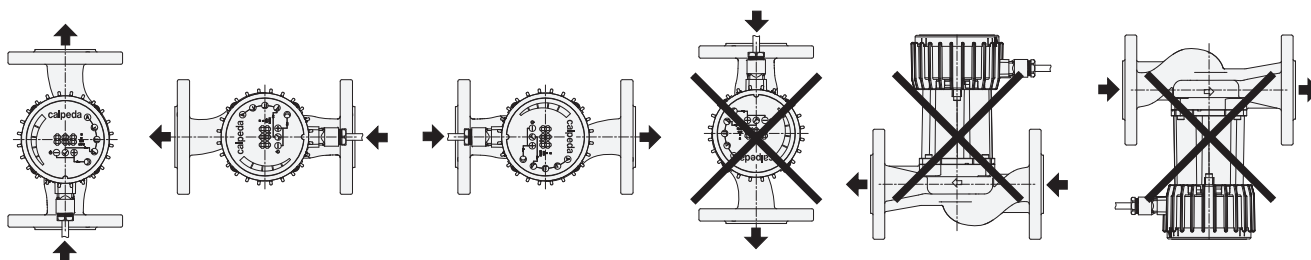
Component	Pos.	Material
Pump casing	1	Cast iron GJL 200 EN 1561
Impeller	2	Composite
Shaft	3	Stainless steel
Bearings	4	Carbon
Thrust bearing	5	Ceramic
Rotor	6	Stainless steel jacket
Winding	7	Copper wire
Electronic card	8	-
Gasket	9	EPDM



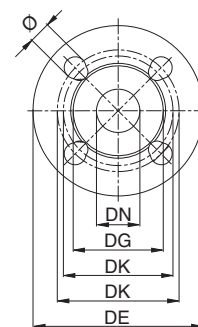
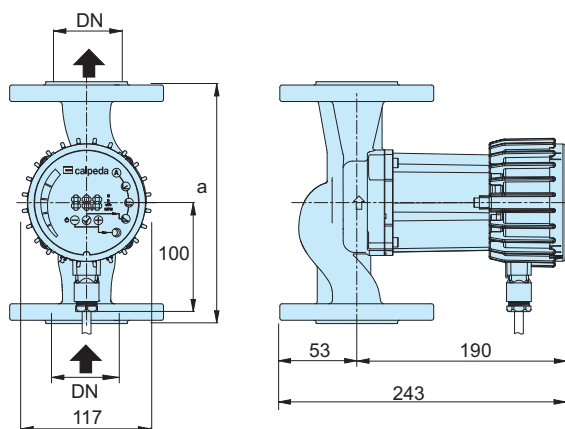
# NCE(D) H.F Energy saving circulating pumps with flanges



## Examples of installations



## Dimensions and weights



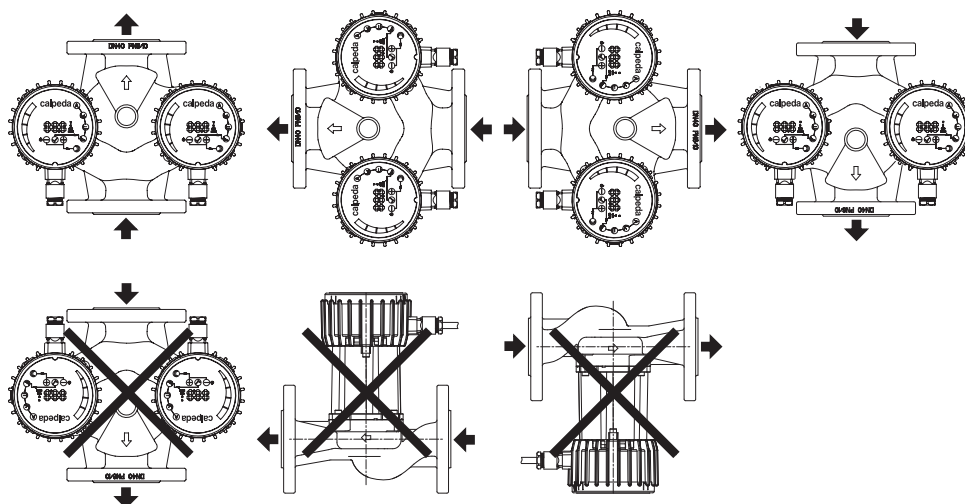
TYPE	DN	H m	Q m <sup>3</sup> /h	1~ 230 V		P <sub>1</sub>		a mm	kg
				A min	A max	W min	W max		
NCE H 32F-40/220	32	4	5	0,1	0,5	10	60	220	7,4
NCE H 40F-40/220	40							220	8,5
NCE H 50F-40/240	50							240	9,8
NCE H 32F-60/220	32	5	7,5	0,1	0,75	10	90	220	7,4
NCE H 40F-60/220	40							220	8,5
NCE H 50F-60/240	50							240	9,8
NCE H 32F-80/220	32	8	9	0,1	1,15	10	140	220	7,4
NCE H 40F-80/220	40							220	8,5
NCE H 50F-80/240	50							240	9,8
NCE H 32F-100/220	32	10	11	0,1	1,5	10	180	220	7,4
NCE H 40F-100/220	40							220	8,5
NCE H 50F-100/240	50							240	9,8
NCE H 32F-120/220	32	12	15	0,1	1,5	10	180	220	7,9
NCE H 40F-120/220	40							220	8,7
NCE H 50F-120/240	50							240	10

DN	DE	DK	DG	holes	
				N.	Ø
32	140	90/100	74	4	14/19
40	150	100/110	80	4	14/19
50	165	110/125	90	4	14/19

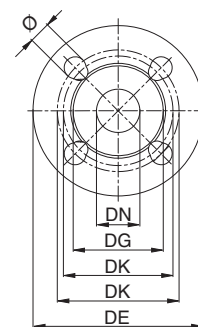
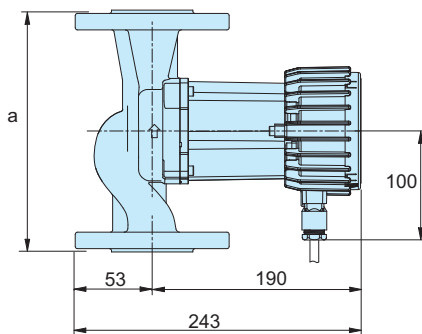
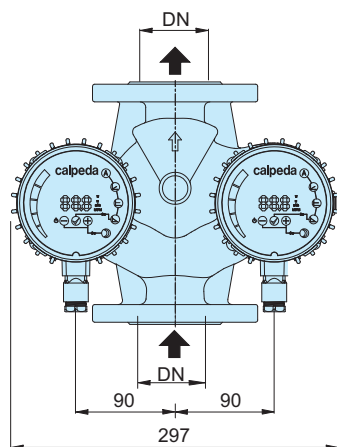
# NCE(D) H.F Energy saving circulating pumps with flanges



## Examples of installations



## Dimensions and weights



TYPE	DN	H m	Q m <sup>3</sup> /h	1~ 230 V		P <sub>1</sub>		a mm	kg
				A min	A max	W min	W max		
<b>NCED H 40F-40/220</b>	40	4	5	0,1	0,5	10	60	220	11,3
<b>NCED H 40F-60/220</b>	40	5	7,5	0,1	0,75	10	90	220	11,3
<b>NCED H 40F-80/220</b>	40	8	9	0,1	1,15	10	140	220	11,3
<b>NCED H 40F-100/220</b>	40	10	11	0,1	1,5	10	180	220	11,3
<b>NCED H 40F-120/220</b>	40	12	15	0,1	1,5	10	180	220	11,3

DN	DE	DK	DG	holes	
				N.	Ø
32	140	90/100	74	4	14/19
40	150	100/110	80	4	14/19
50	165	110/125	90	4	14/19



### Construction

Energy saving variable speed circulating pump driven by a permanent magnet synchronous motor (pm) controlled by on board inverter.

#### Digital input and output:

- Modbus (NCE HQ on request)
- Ethernet (NCE HQ on request)
- analog input 0-10V (NCE HQ on request)
- remote on/off input
- output relay

### Applications

Heating and conditioning systems.

### Operating conditions

- Liquid temperature from +2 °C to +110 °C
- Ambient temperature from 0 °C to +40 °C
- Maximum permissible working pressure: 10 bar
- Storage: -20°C/+70°C max. relative humidity 95% at 40 °C
- Certifications: in conformity with CE requirements
- Sound pressure ≤ 40 dB (A).
- Minimum suction pressure: - 0,05 bar at 75 °C  
- 0,28 bar a 90 °C.
- Maximum glycol quantity: 20%.
- EMC according to: EN 55014-1, EN 55014-2  
EN 61000-3-2, EN 61000-3-2.
- Connections: Flanges according to PN 6/10, EN 1092-2, DN 32,40,50,65,80,100.
- The benchmark for most efficient circulators is  $EEL \leq 0,20$ .

### Designation

NCE (D) HQ 40 F - 120 / 220

Series \_\_\_\_\_

Twin pumps version \_\_\_\_\_

Version \_\_\_\_\_

DN ports in mm \_\_\_\_\_

With flanges \_\_\_\_\_

Max. head in dm \_\_\_\_\_

connection size mm \_\_\_\_\_

### Motor

Synchronous motor with permanent magnet.

- Motor: variable speed
- Standard voltage: single-phase 230 V (-10%;+6%)
- Frequency: 50/60 Hz
- Protection: IP 44
- Insulation class: F
- Overload protection (integrated).
- Cable: phases and neutral.
- Constructed in accordance with: EN 60335-1, EN 60335-2-51.

## Features

### Smart pump

NCE(D) HQ.F adapt its functions to the system: the circulator measures the pressure and the flow and adjusts the speed to the selected pressure.

### Easy use

There are different operating modes selectable from the control panel.

### Operating modes



**Automatic mode**

(factory setting):

In this mode the pump automatically sets the operating pressure, depending on the hydraulic system. This mode is recommended in most systems.



**Proportional pressure mode:**

The circulator changes the pressure proportionally to the current flow. The pressure value can be adjusted with the + and - buttons.



**Constant pressure mode:**

The circulator maintains the pressure constant when the reference flow changes. The pressure value can be adjusted with the + and - buttons.



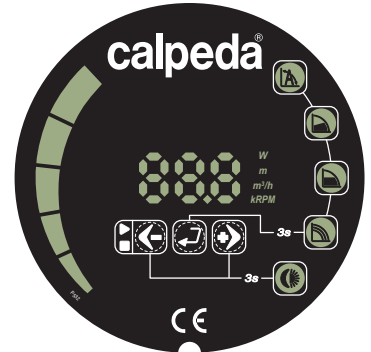
**Fixed speed mode:**

The circulator works with constant curve and the curve could be changed using + e - buttons.



**Night mode:**

When the liquid temperature fall by 15-20°C the pump automatically swiches to night mode, in practice the circulator works at minimum curve. When the temperature rises again the pump comes back to the selected mode. The night mode could be selected with any operating mode.



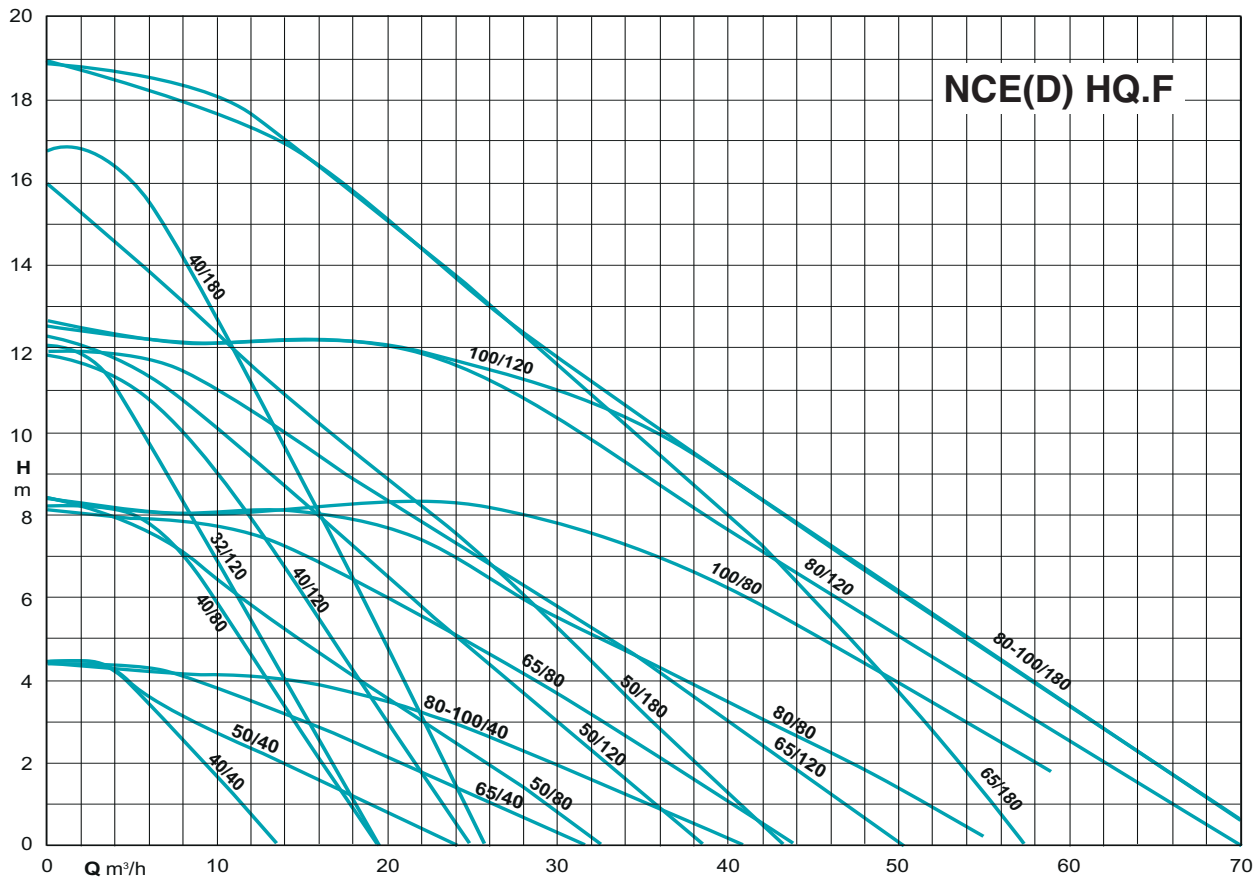
**Operating mode-control panel**

NCE HQ.F could works in:

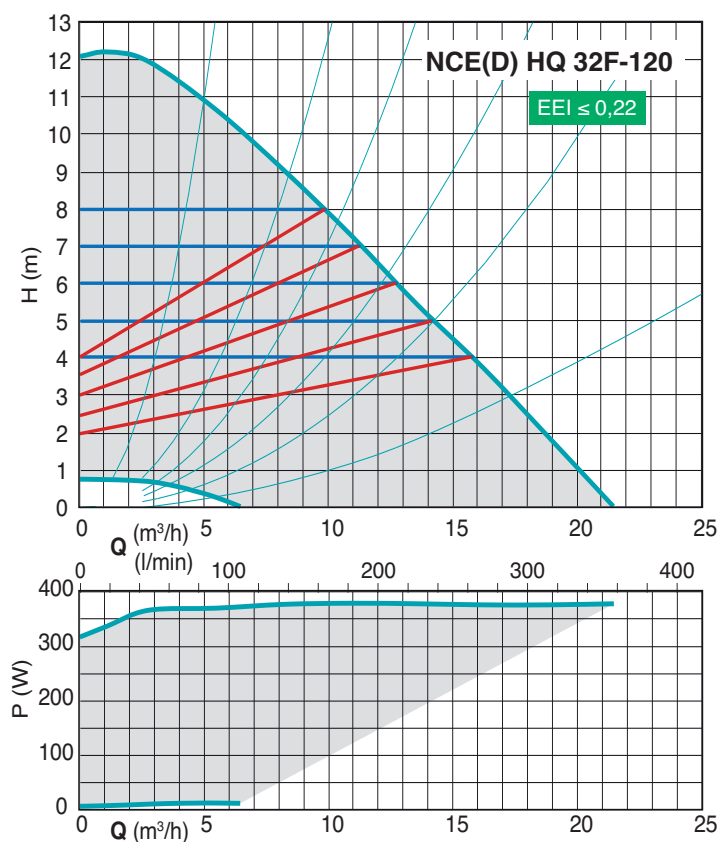
- automatic mode
- proportional pressure mode
- constant pressure mode
- fixed speed mode
- night mode

The night mode could be selected with any operating mode.

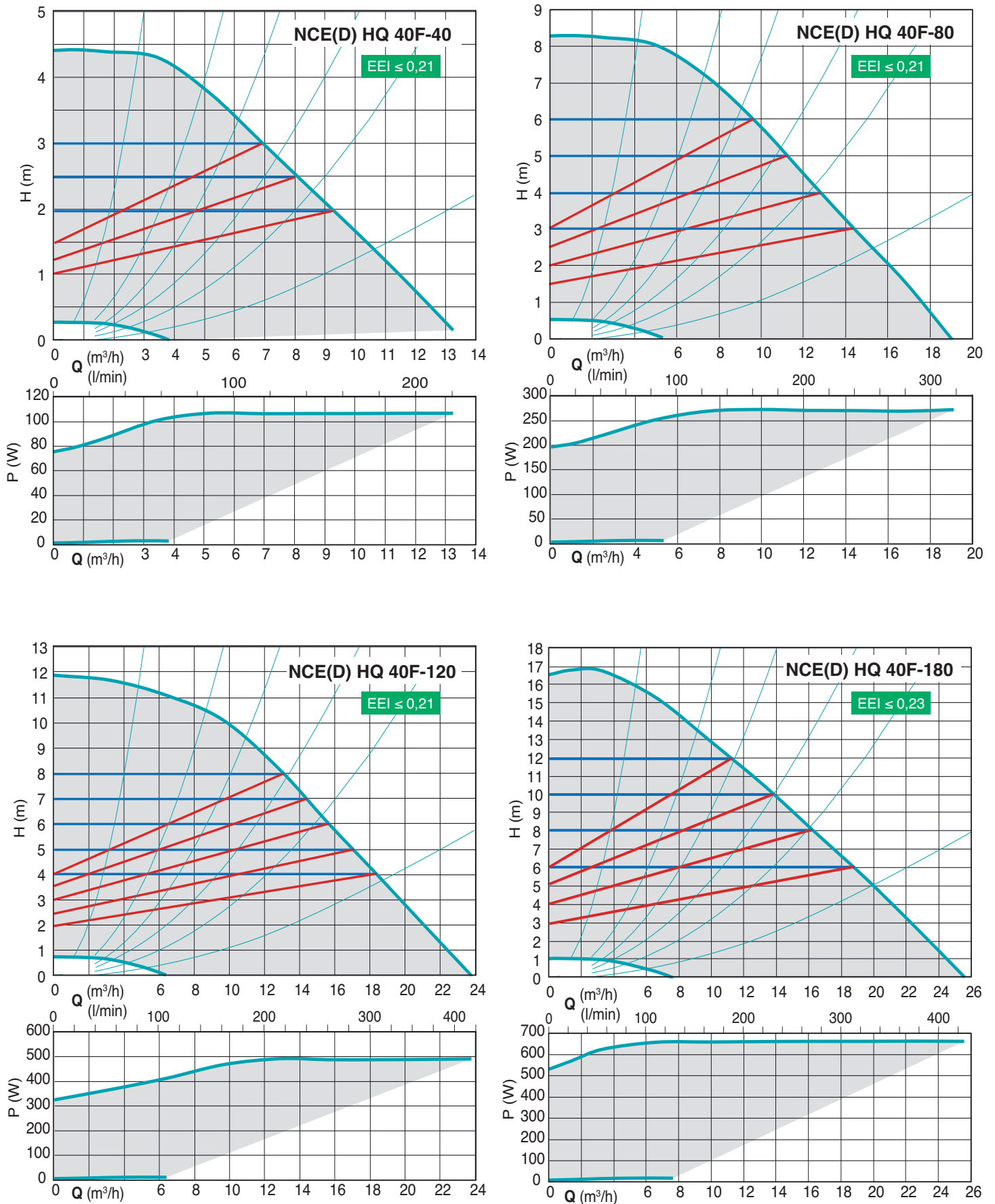
### Coverage chart



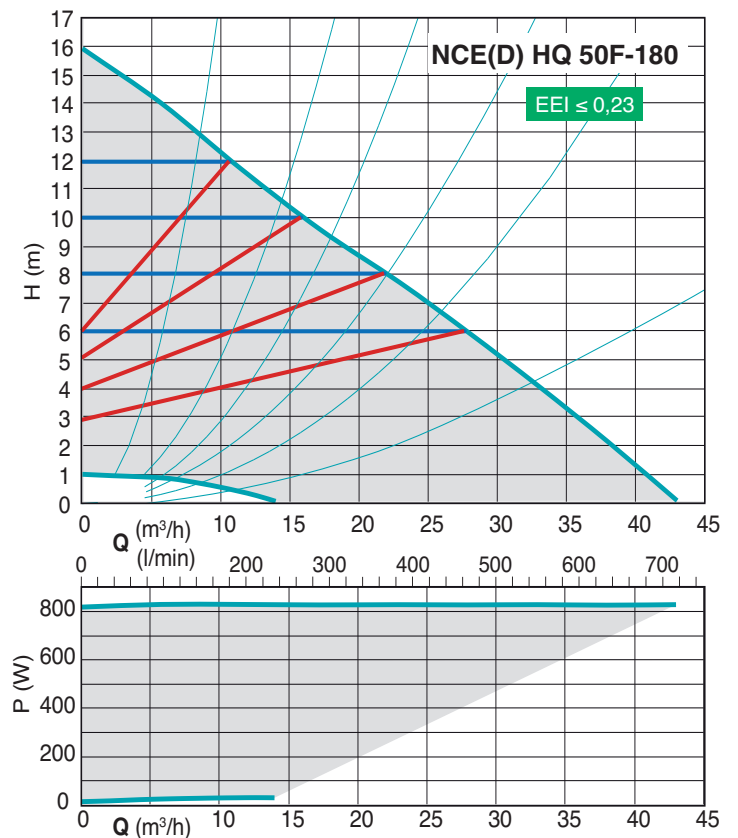
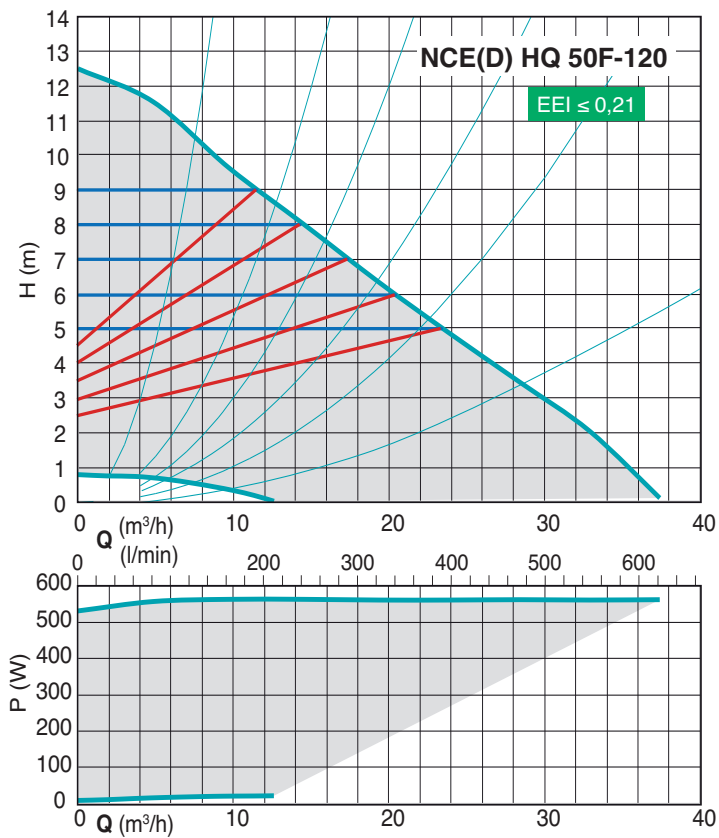
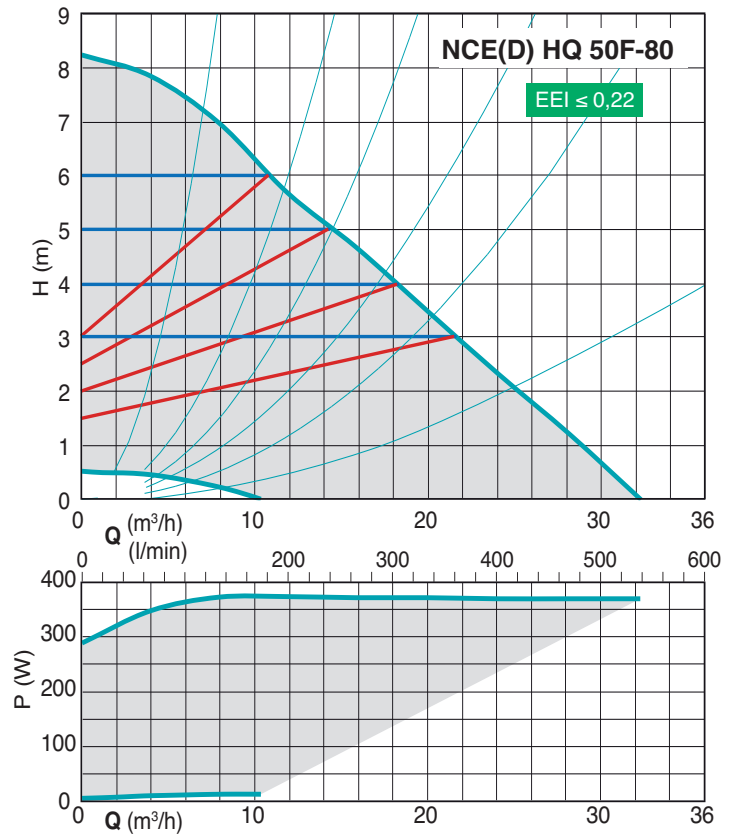
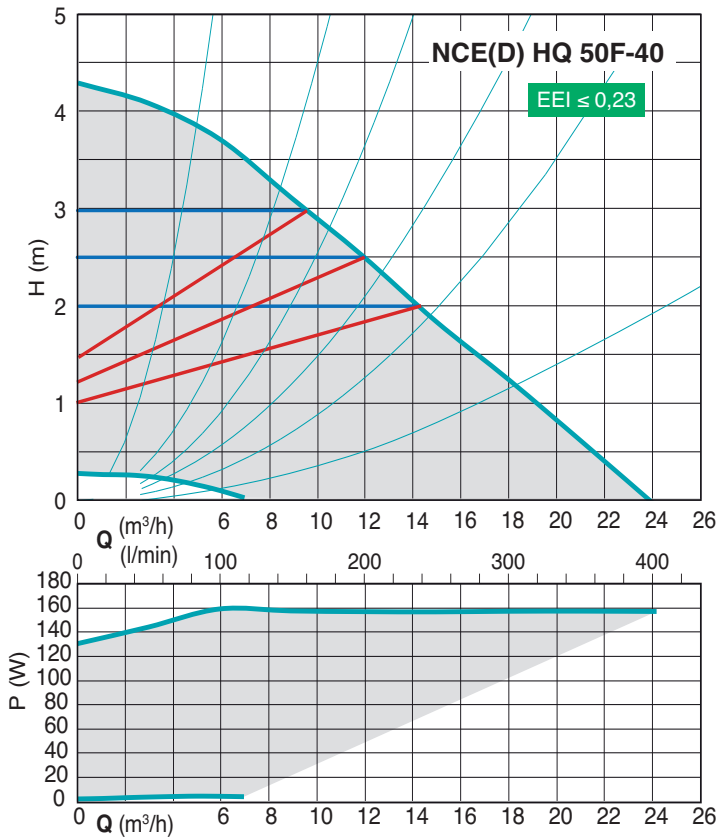
### Characteristic curves



### Characteristic curves

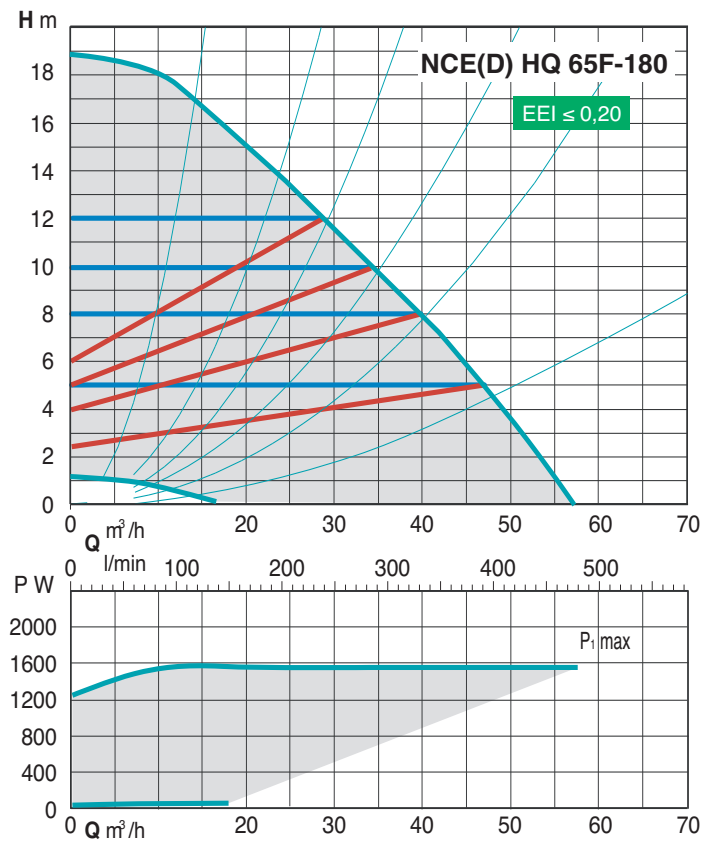
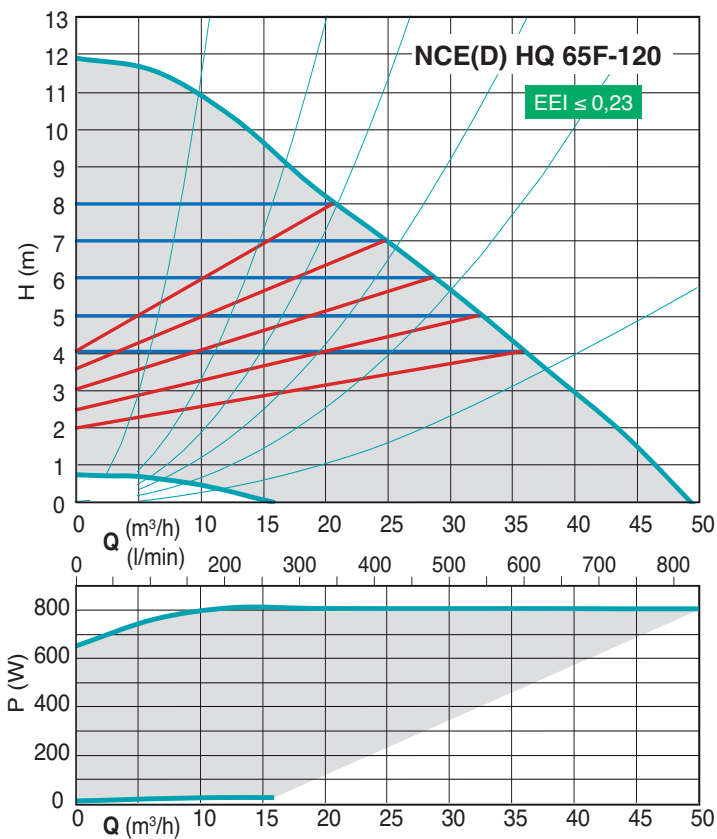
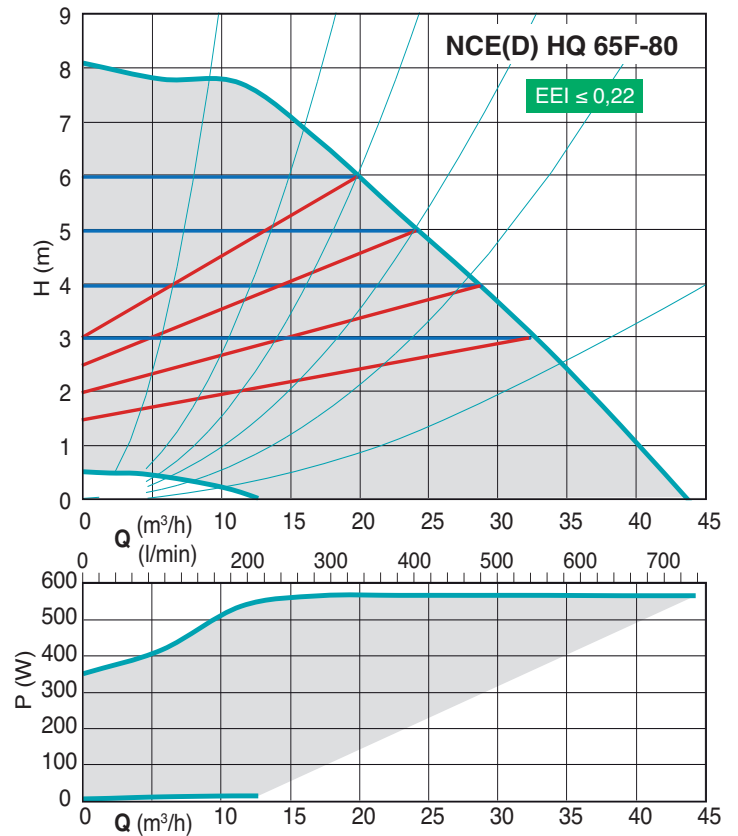
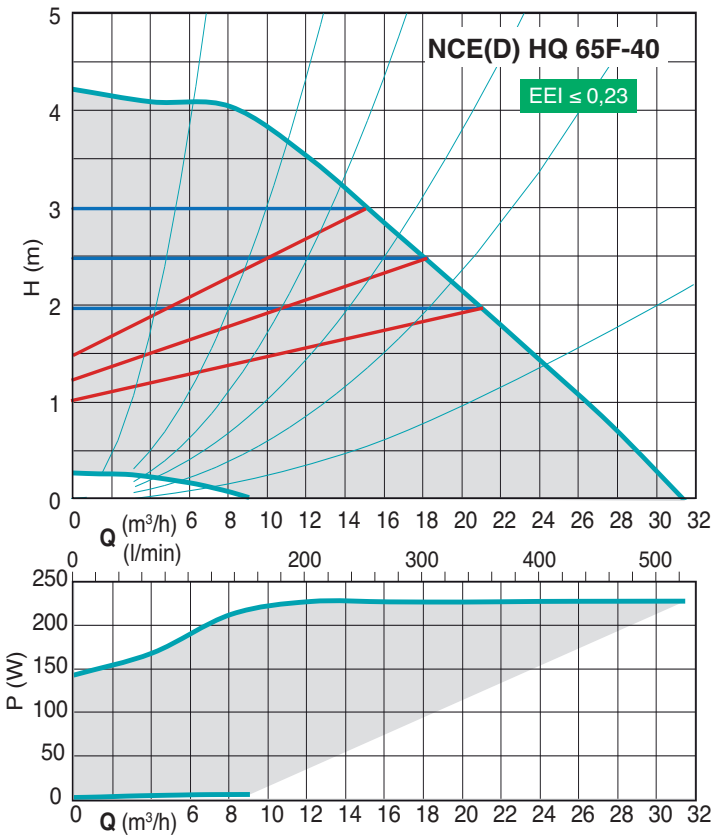


### Characteristic curves

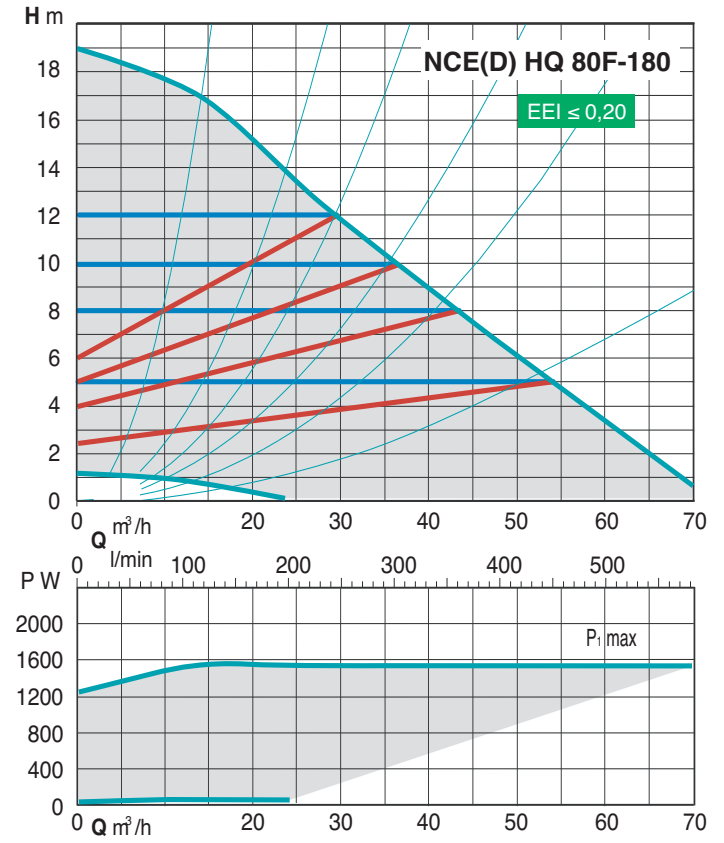
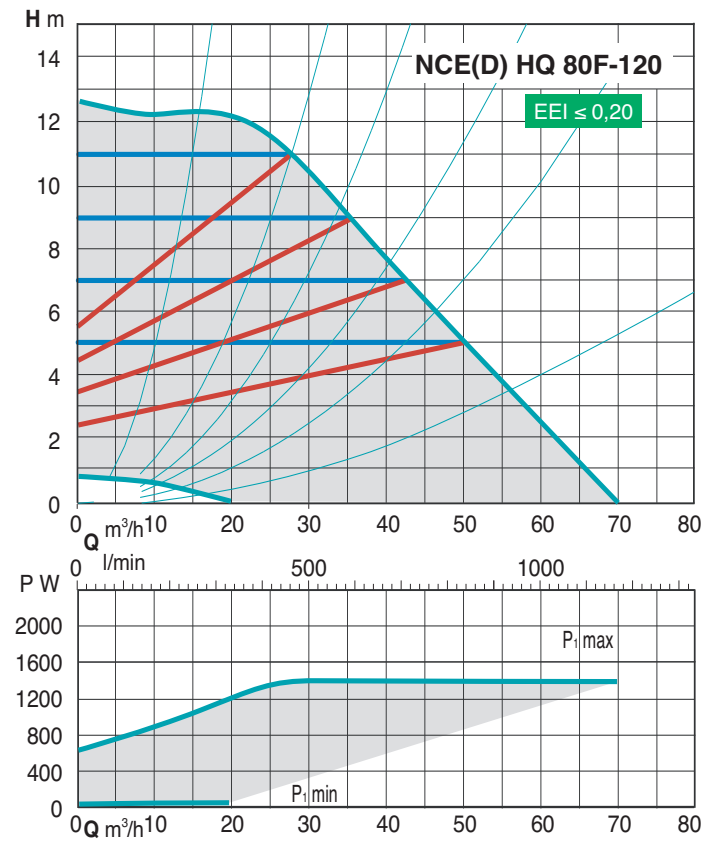
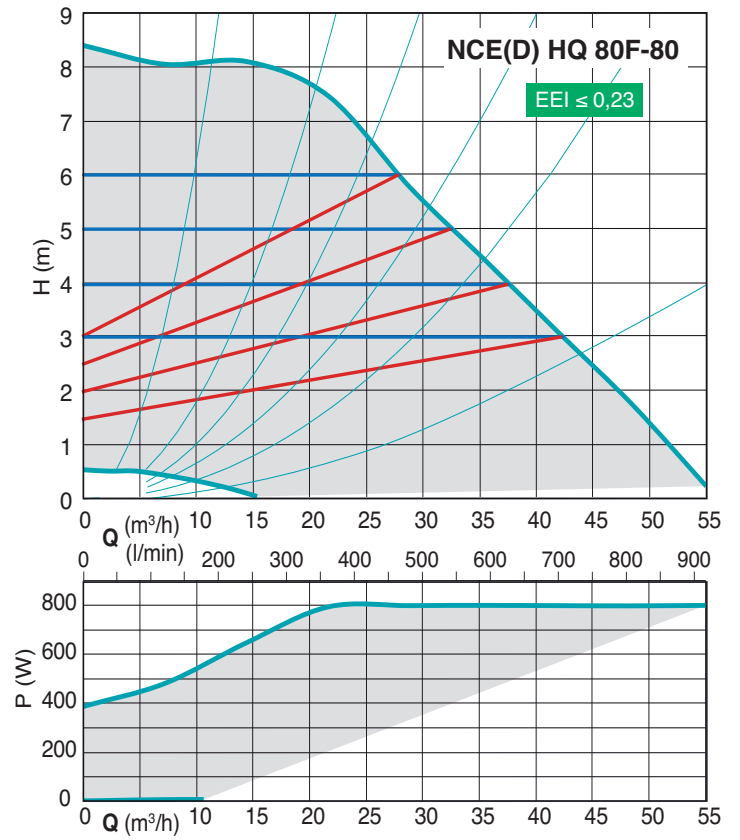
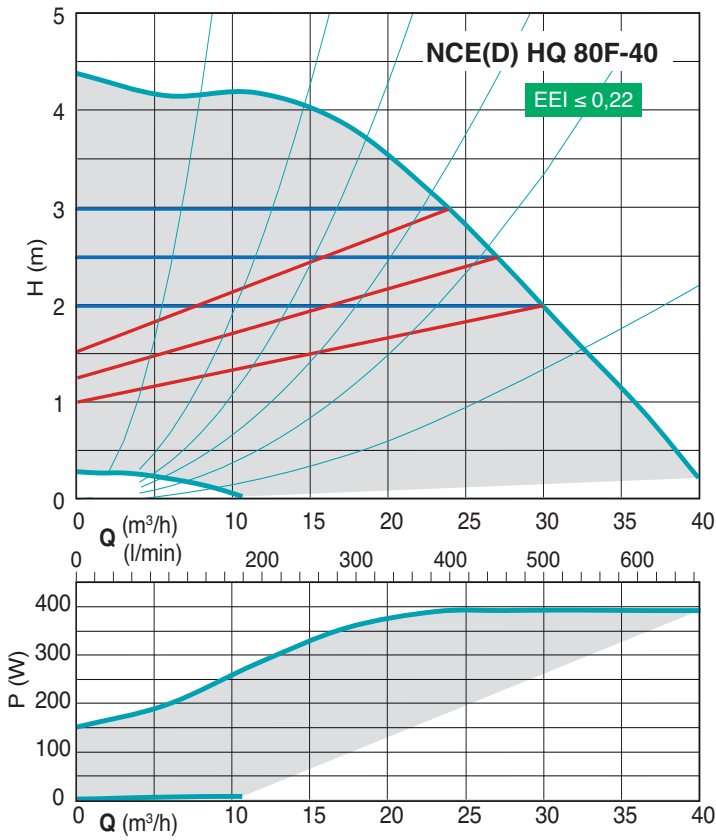




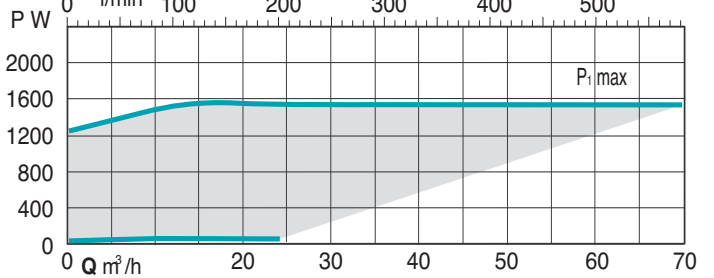
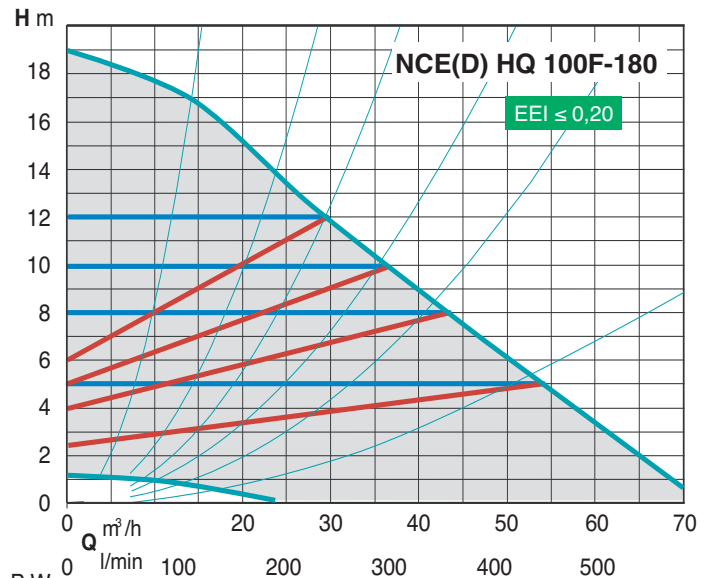
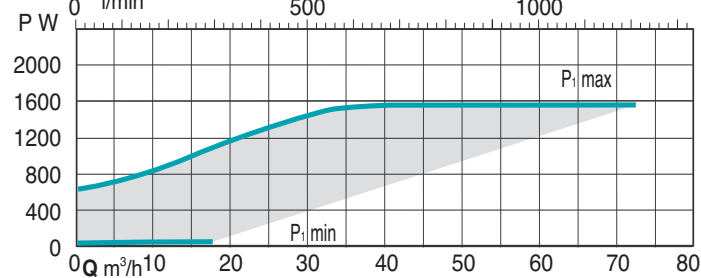
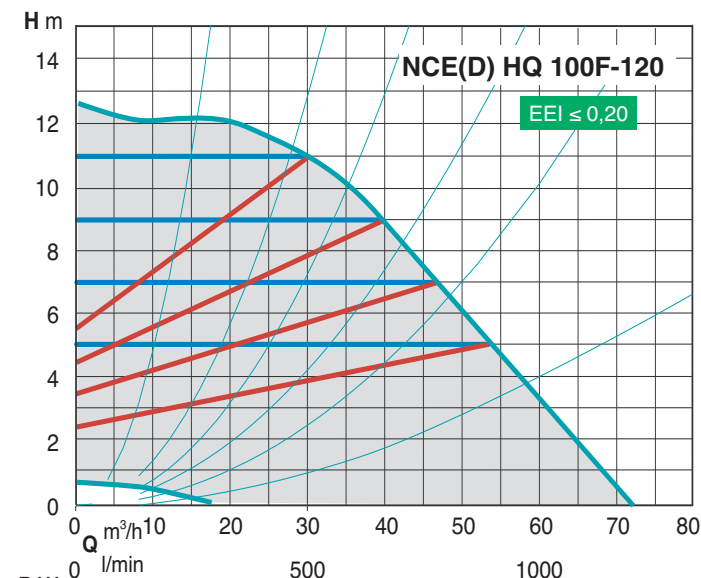
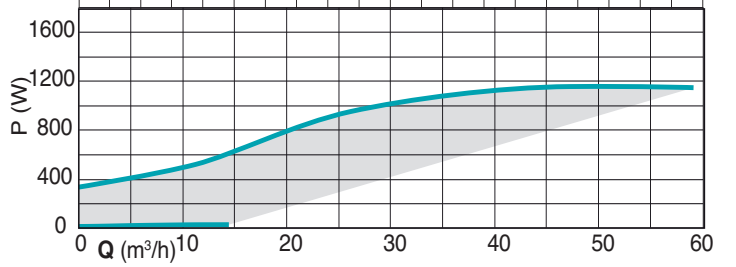
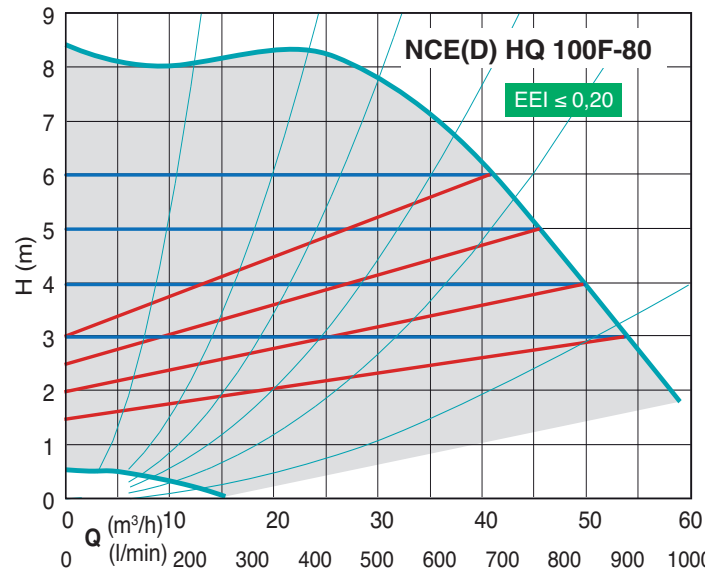
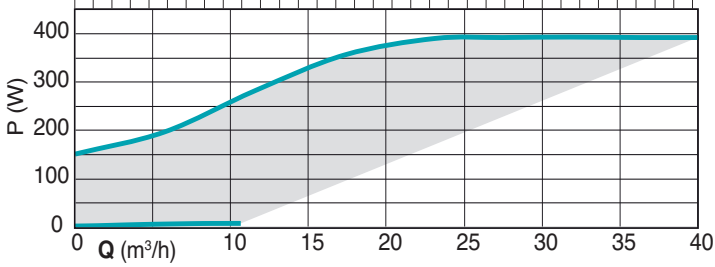
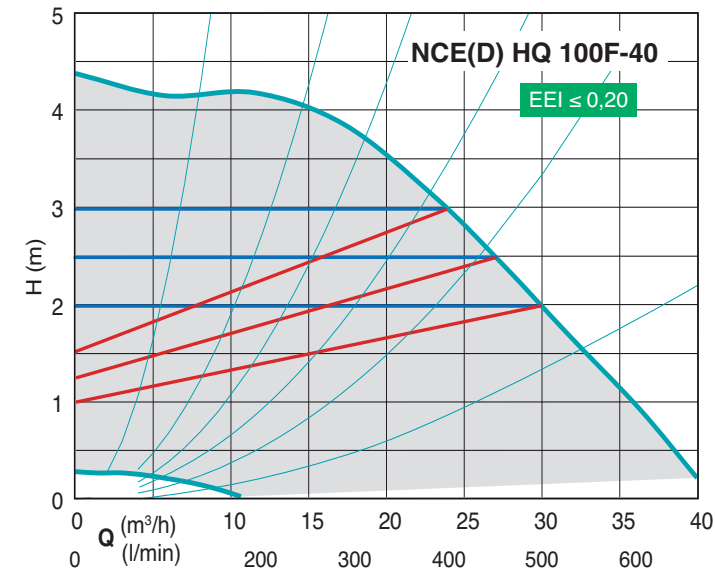
### Characteristic curves



### Characteristic curves

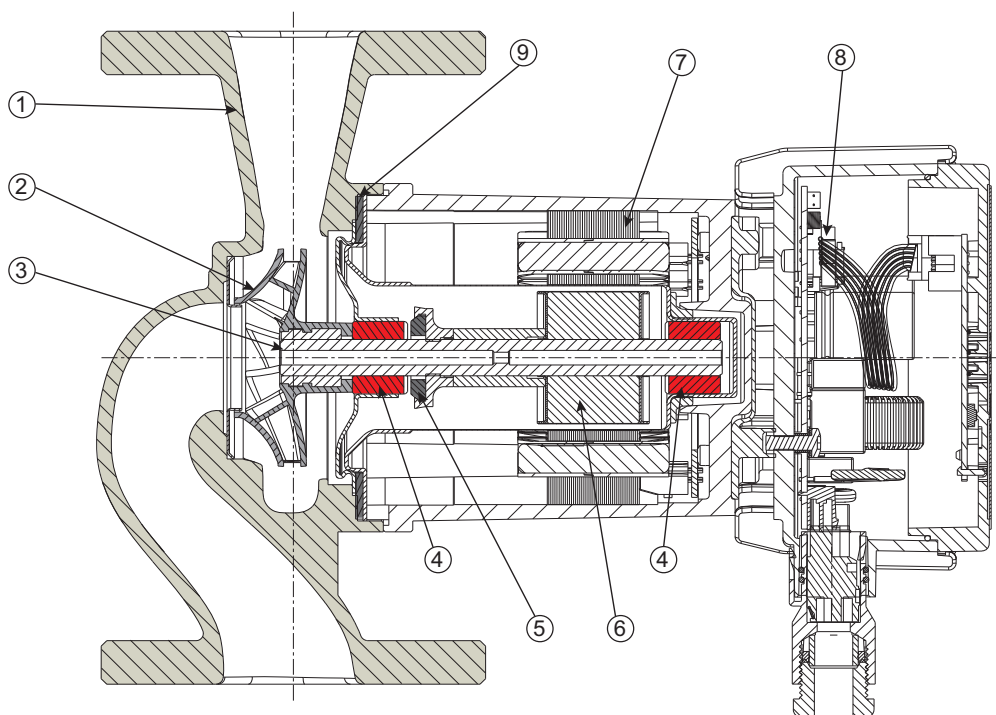


### Characteristic curves

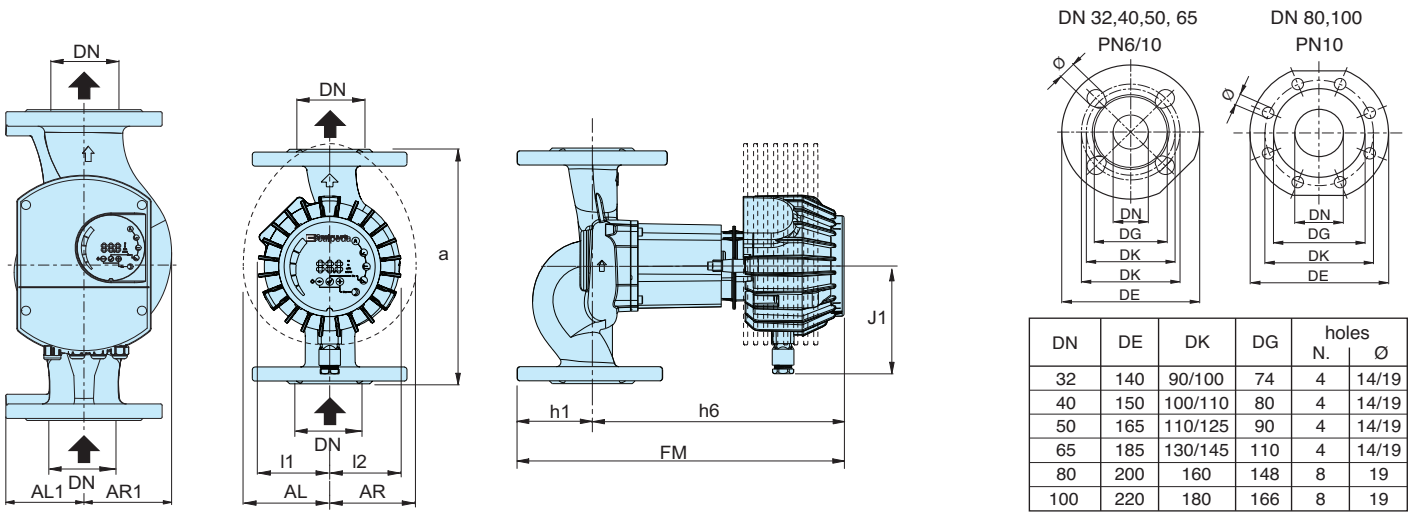


### Materials

Component	Pos.	Material
Pump casing	1	Cast iron GJL 200 EN 1561
Impeller	2	Composite
Shaft	3	Stainless steel
Bearings	4	Carbon
Thrust bearing	5	Ceramic
Rotor	6	Stainless steel jacket
Winding	7	Copper wire
Electronic card	8	-
Gasket	9	EPDM



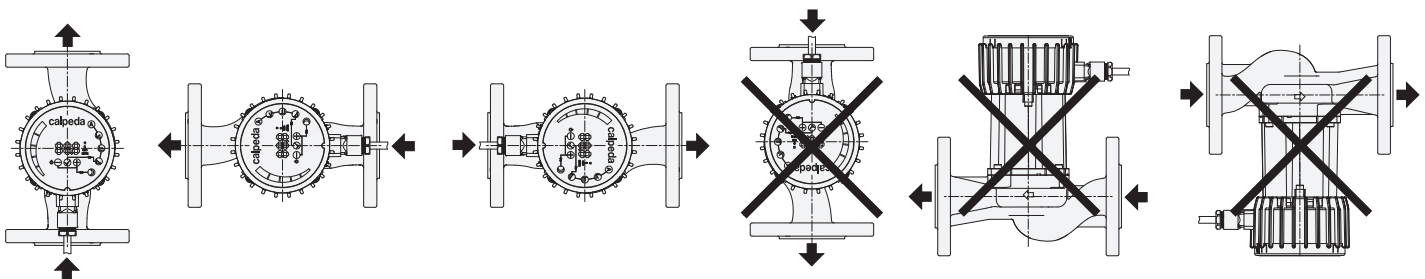
### Dimensions and weights



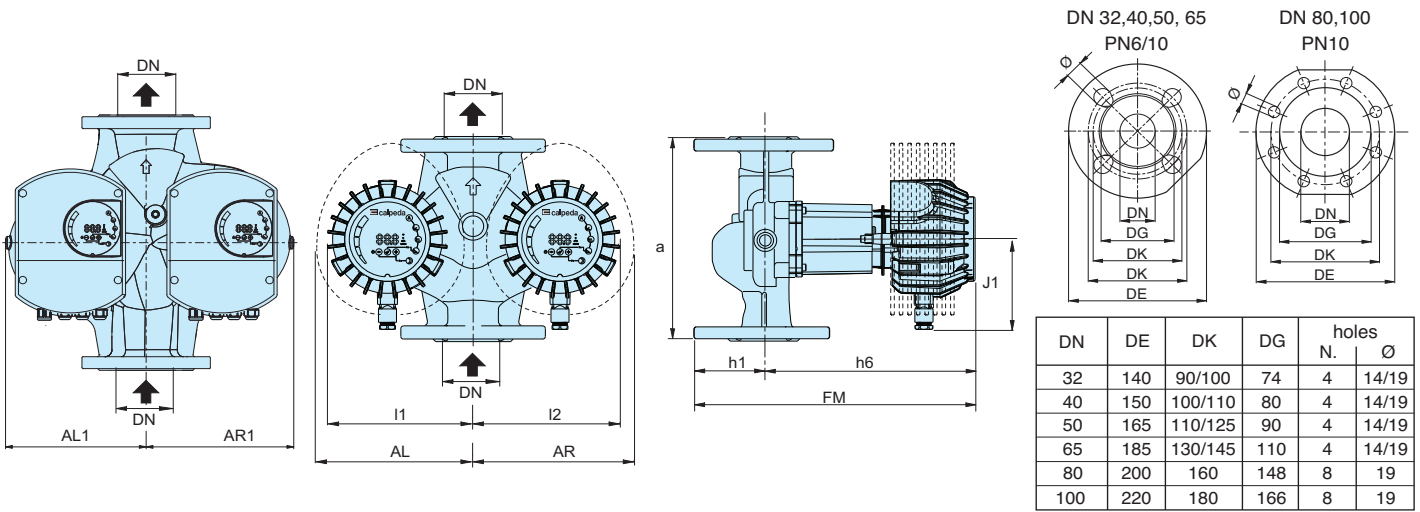
DN	DE	DK	DG	holes	
				N.	Ø
32	140	90/100	74	4	14/19
40	150	100/110	80	4	14/19
50	165	110/125	90	4	14/19
65	185	130/145	110	4	14/19
80	200	160	148	8	19
100	220	180	166	8	19

TYPE	DN	H m	Q m³/h	1~ 230 V A max	P <sub>1</sub> W max	mm											kg
						a	J1	FM	h1	h6	l1	l2	AL	AR	AL1	AR1	
NCE HQ 32F-120/220	32	12	19	1.8	370	220	115	330	65	265	75	75	-	-	-	-	9,1
NCE HQ 40F-40/250	40	4	13	1	110	250	99	270	65	205	59	74	-	-	-	-	8,2
NCE HQ 40F-80/250	40	8	19	1.3	270	250	115	330	65	265	75	75	-	-	-	-	9,6
NCE HQ 40F-120/250	40	12	24	2.3	480	250	115	330	65	265	75	75	-	-	-	-	9,95
NCE HQ 40F-180/250	40	18	25	3.4	680	250	115	330	65	265	-	-	90	90	-	-	14,2
NCE HQ 50F-40/280	50	4	23	1.3	160	280	99	313	65	241	74	92	-	-	-	-	10,8
NCE HQ 50F-80/280	50	8	32	1.7	370	280	115	373	72	301	75	92	-	-	-	-	12,35
NCE HQ 50F-120/280	50	12	36	2.5	560	280	115	373	72	301	75	92	-	-	-	-	13
NCE HQ 50F-180/280	50	18	42	3.6	830	280	115	383	72	311	-	-	92	90	-	-	15,9
NCE HQ 65F-40/340	65	4	31	1.1	230	340	115	386	75	311	83	100	-	-	-	-	15,95
NCE HQ 65F-80/340	65	8	43	2.6	560	340	115	386	75	311	83	103	-	-	-	-	16,65
NCE HQ 65F-120/340	65	12	50	3.5	810	340	115	397	75	322	-	103	90	-	-	-	19,3
NCE HQ 65F-180/340	65	18	57	6,6	1550	340	137	434	75	359	-	-	-	-	94,5	104	-
NCE HQ 80F-40/360	80	4	40	1.8	390	360	115	414	93	321	98	123	-	-	-	-	23,4
NCE HQ 80F-80/360	80	8	53	3.5	800	360	115	425	93	332	98	123	-	-	-	-	25,8
NCE HQ 80F-120/360	80	12	69	6,0	1400	360	137	462	93	369	-	-	-	-	98,5	124	-
NCE HQ 80F-180/360	80	18	72	6,6	1550	360	137	462	93	369	-	-	-	-	98,5	124	-
NCE HQ 100F-40/450	100	4	40	2.4	550	450	115	424	103	321	98	123	-	-	-	-	-
NCE HQ 100F-80/450	100	8	59	4,7	1150	450	137	472	103	369	-	-	-	-	110	124	-
NCE HQ 100F-120/450	100	12	72	6,6	1550	450	137	472	103	369	-	-	-	-	110	124	-
NCE HQ 100F-180/450	100	18	72	6,6	1550	450	137	472	103	369	-	-	-	-	110	124	-

### Examples of installations

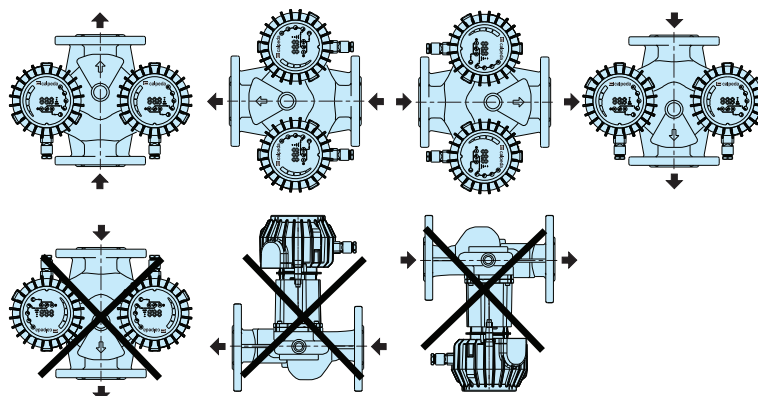


### Dimensions and weights



TYPE	DN	H m	Q m³/h	1~ 230 V A max	P <sub>1</sub> W max	mm											kg		
						a	J1	FM	h1	h6	I1	I2	AL	AR	AL1	AR1			
NCED HQ 32F-120/220	32	12	19	1.8	370	220	115	330	65	265	-	-	185	186	-	-	-	-	-
NCED HQ 40F-40/250	40	4	13	1	110	250	99	270	65	205	181	186	-	-	-	-	-	-	14,3
NCED HQ 40F-80/250	40	8	19	1.3	270	250	115	330	65	265	-	-	185	186	-	-	-	-	16,7
NCED HQ 40F-120/250	40	12	24	2.3	480	250	115	330	65	265	-	-	185	186	-	-	-	-	16,9
NCED HQ 40F-180/250	40	18	25	3.4	680	250	115	390	65	325	-	-	200	200	-	-	-	-	25
NCED HQ 50F-40/280	50	4	23	1.3	160	280	99	313	72	241	199	200	-	-	-	-	-	-	19,6
NCED HQ 50F-80/280	50	8	32	1.7	370	280	115	373	72	301	199	200	-	-	-	-	-	-	22,4
NCED HQ 50F-120/280	50	12	36	2.5	560	280	115	373	72	301	199	200	-	-	-	-	-	-	23,6
NCED HQ 50F-180/280	50	18	42	3.6	830	280	115	373	72	311	-	203	200	-	-	-	-	-	28,8
NCED HQ 65F-40/340	65	4	31	1.1	230	340	115	384	75	309	216	226	-	-	-	-	-	-	32,2
NCED HQ 65F-80/340	65	8	43	2.6	560	340	115	384	75	309	216	226	-	-	-	-	-	-	32,7
NCED HQ 65F-120/340	65	12	50	3.5	810	340	115	395	75	320	216	226	-	-	-	-	-	-	38,4
NCED HQ 65F-180/340	65	18	57	6,6	1550	340	137	432	75	357	-	-	-	-	-	-	216	226	-
NCED HQ 80F-40/360	80	4	40	1.8	390	360	115	414	93	321	241	253	-	-	-	-	-	-	-
NCED HQ 80F-80/360	80	8	53	3.5	800	360	115	425	93	332	241	253	-	-	-	-	-	-	-
NCED HQ 80F-120/360	80	12	69	6,0	1400	360	137	462	93	369	-	-	-	-	-	-	241	253	-
NCED HQ 80F-180/360	80	18	72	6,6	1550	360	137	462	93	369	-	-	-	-	-	-	241	253	-
NCED HQ 100F-40/450	100	4	40	2.4	550	450	115	424	103	321	241	253	-	-	-	-	-	-	-
NCED HQ 100F-80/450	100	8	59	4,7	1150	450	137	472	103	369	-	-	-	-	-	-	241	253	-
NCED HQ 100F-120/450	100	12	72	6,6	1550	450	137	472	103	369	-	-	-	-	-	-	241	253	-
NCED HQ 100F-180/450	100	18	72	6,6	1550	450	137	472	103	369	-	-	-	-	-	-	241	253	-

### Examples of installations



# NCE EL Energy saving circulating pumps for solar systems



## Construction

Energy saving variable speed circulating pump driven by a permanent magnet synchronous motor (pm) controlled by on board inverter.

## Applications

Solar thermal systems.

## Operating conditions

- Liquid temperature from +2 °C to +110 °C
- Ambient temperature from 0 °C to +40 °C
- Maximum permissible working pressure: 10 bar
- Storage: -20°C/+70°C max. relative humidity 95% at 40 °C
- Certifications: in conformity with CE requirements
- Sound pressure  $\leq$  43 dB (A).
- Minimum suction pressure: 0,3 bar at 50 °C  
1,0 bar at 95 °C  
1,5 bar at 110 °C
- Maximum glycol quantity: 40%
- EMC according to: EN 55014-1, EN 61000-3-2, EN 55014-2
- Connections: threaded ports ISO 228: G 1, G 1 1/2.
- The benchmark for most efficient circulators is  $EEL \leq 0,20$ .
- Minimum power: 3 W.

## Designation

NCE EL 25 - 60 / 180

Series \_\_\_\_\_  
Version \_\_\_\_\_  
DN ports in mm \_\_\_\_\_  
Max. head in dm \_\_\_\_\_  
connection size mm \_\_\_\_\_

## Motor

Synchronous motor with permanent magnet.

- Motor: variable speed
- Standard voltage: single-phase 230 V (-10%;+6%)
- Frequency: 50-60 Hz
- Protection: IP 44
- Insulation class: H
- Class II appliance
- Overload protection (jammed rotor):
  - 1) automatic protection with electronic rotor release
  - 2) Overload thermal protector
- Cable: phases and neutral
- Constructed in accordance with: EN 60335-1, EN 60335-2-51.

## Special features on request

Brass or cast iron unions.

## Features

### Compact design

The space saving **NCE EL** is a very compact circulating pump, allows inr easy installation in small domestic heating systems.

### Easy to install and to adjust

Installing the **NCE EL** is considerably simplified by the quick setting and power installation plug.

### Reliable

Like all our electronic circulating pumps, the **NCE EL** features the patented self-cleaning square chamber design, which eliminates any possibility of rotor blockage.

Ceramic shaft.

Hydraulics components are completely painted with cataphoresis.

Program for automatic routine vent and release.

### Easy use

Operating range with fixed curves from 0,6 m to 7 m; possibility to choose proportional pressure curve or selection of the optimum working point.

## Operating modes



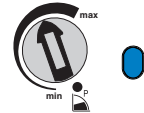
### PROPORTIONAL CURVE PROGRAMMING $\Delta p-v$ (GREEN LED)

Moving the switch to the 'P' setting will allow the pump to operate against a proportional performance curve. This feature ensures maximum energy efficiency.



### MANUAL PROGRAMMING (BLUE LED)

Setting the switch in any position between the MIN and MAX points, the most suitable operating curve for the installation is manually selected.

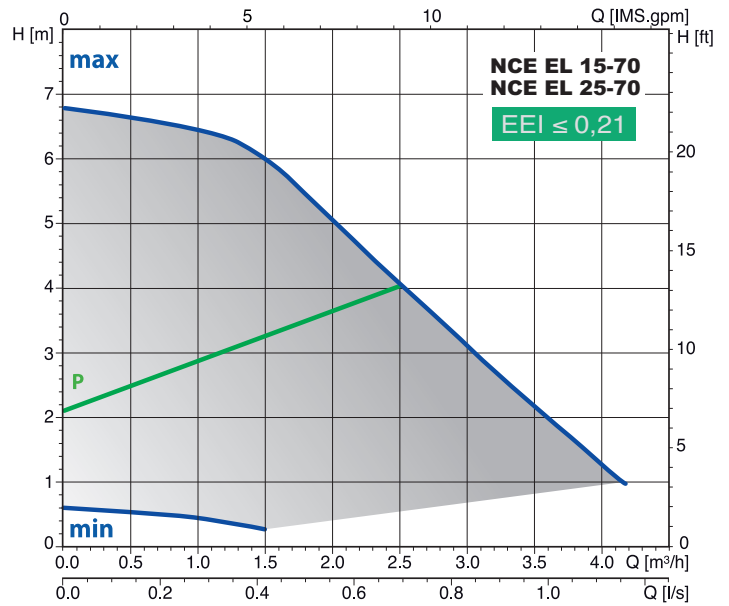
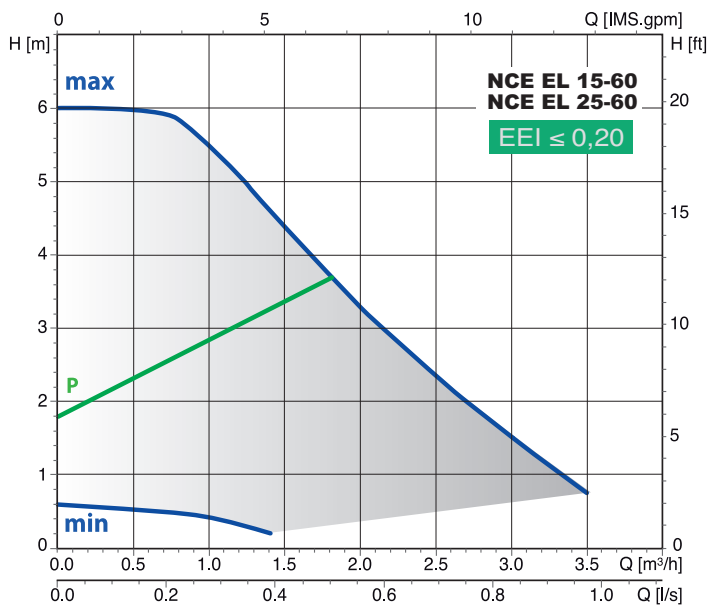


### WARNING!



- The red LED indicates that the pump is not rotating but is still under tension.
- White flashing LED : plant degassing requirement, air in the system.

## Characteristic curves

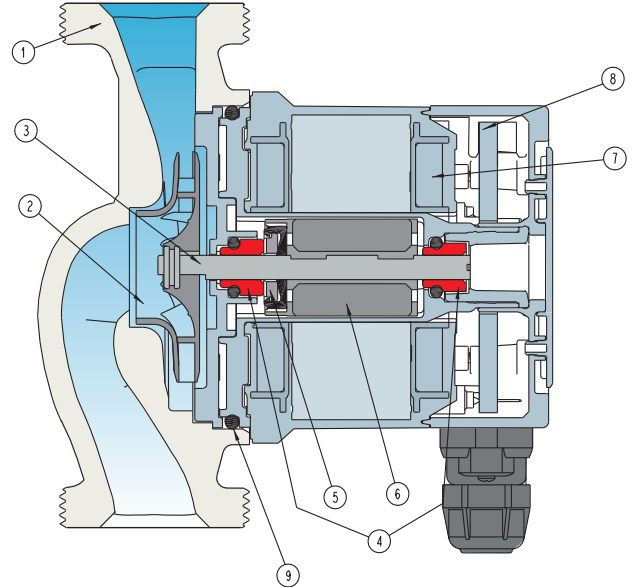


**P** proportional curve  
**min-max** n fixed curves

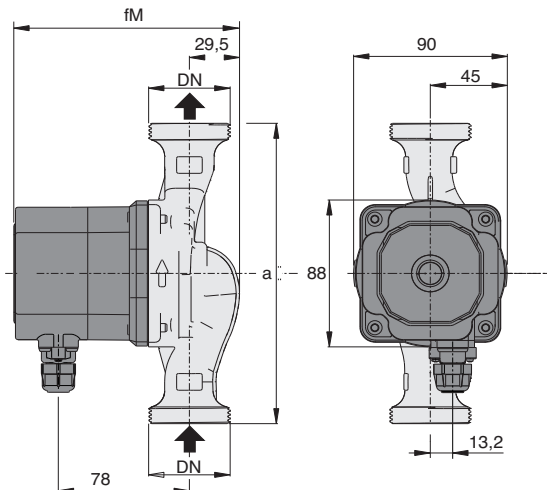


## Materials

Component	Pos.	Material
Pump casing	1	Cast iron GJL 200 EN 1561
Impeller	2	Composite
Shaft	3	Ceramic
Bearings	4	Carbon
Thrust bearing	5	Ceramic
Rotor	6	Composite / Ferrite
Winding	7	Copper wire
Electronic card	8	-
Gasket	9	EPDM

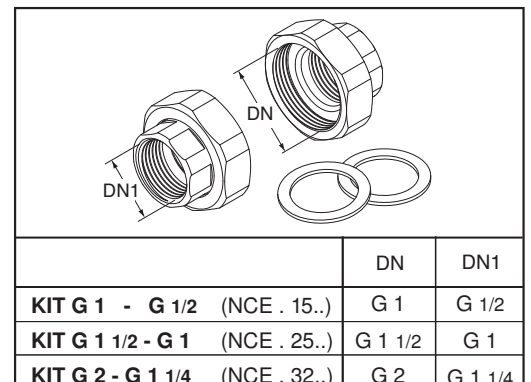


## Dimensions and weights



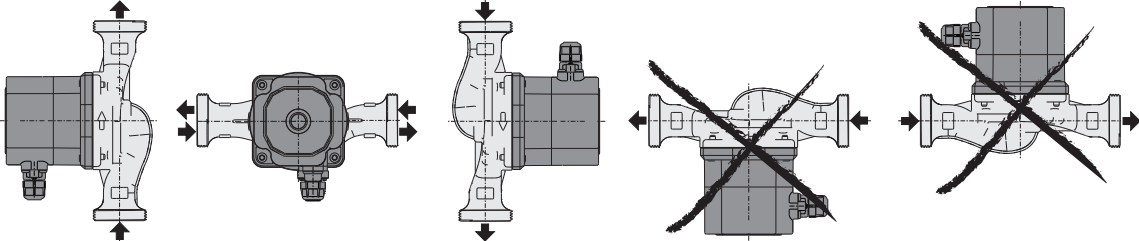
TYPE	DN	230V		P1		mm		kg
		A max	A min	W max	W min	fm	a	
NCE EL 15-60/130/A	G 1	0,33	0,03	42	3	134	130	1,67
NCE EL 25-60/130/A	G 1 1/2						1,81	
NCE EL 25-60/180/A	G 1 1/2	0,33	0,03	42	3	134	180	1,96
NCE EL 15-70/130	G 1	0,44	0,03	56	3	144	130	1,91
NCE EL 25-70/130	G 1 1/2						2,05	
NCE EL 25-70/180	G 1 1/2						2,20	

Unions (on request)

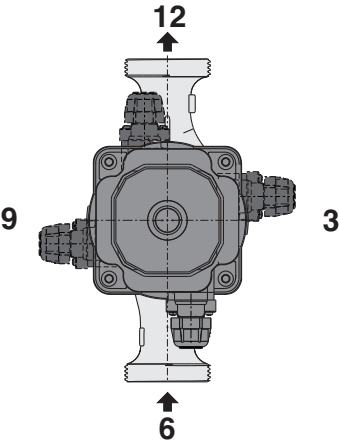


## Examples of installations

### Installation



### Terminal box arrangement (on request)



# NCE ES

## Energy saving circulating pumps for sanitary hot water



### Construction

Energy saving variable speed circulating pump driven by a permanent magnet synchronous motor (pm) controlled by on board inverter. Bronze pump casing.

### Applications

Hot sanitary water systems.

### Operating conditions

- Liquid temperature from +2 °C to +95 °C
- Ambient temperature from +2 °C to +40 °C
- Maximum working pressure: 10 bar
- Storage: -20°C/+70°C UR 95% a 40 °C
- Certifications: in conformity with CE requirements
- Sound pressure  $\leq$  43 dB (A).
- Minimum suction pressure: 0,3 bar at 50 °C  
1,0 bar at 95 °C
- EMC according to: EN 55014-1, EN 55014-2, EN 61000-3-2, EN 61000-3-3.
- Threaded ports ISO 228: G 1, G 1 1/4, G 1 1/2.

### Designation

NCE ES 25 - 40 / 130

Series \_\_\_\_\_  
Version \_\_\_\_\_  
DN ports in mm \_\_\_\_\_  
Max. head in dm \_\_\_\_\_  
connection size mm \_\_\_\_\_

### Motor

Synchronous motor with permanent magnets.

- Motor: variable speed
- Standard voltage: single-phase 230 V (-10%;+6%)
- Frequency: 50-60 Hz
- Protection: IP 44
- Insulation class: H
- Class II appliance
- Overload protection (jammed rotor):
  - 1) automatic protection with electronic rotor release
  - 2) overload thermal protector
- Cable: phases and neutral
- Constructed in accordance with: EN 60335-1, EN 60335-2-51.

### Special features on request

Brass unions.

## Features

### Energy saving

NCE ES is an high energy efficiency product.

### Compact design

The space saving NCE ES facilitate the installation in the smaller systems.

### Easy to install and to adjust

Installing the NCE ES is considerably simplified by the quick setting and power installation plug. The adjustment is simple and intuitive thanks to the ability to be able to select the optimum working point or mode via a simple LED indicator and switch.

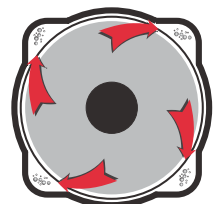
### Reliability

NCE ES features the patented self-cleaning square chamber design, which eliminates any possibility of rotor blockage.

### Easy use

Operating range with fixed curves from 0,6 m to 4 m with selection of the optimum working point.

### Patented



Escape routes for impurities inside the rotor chamber

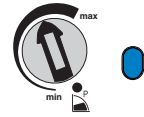
## Operating modes



### MANUAL PROGRAMMING

(BLUE LED)

Setting the switch in any position between the MIN and MAX points, the most suitable operating curve for the installation is manually selected.



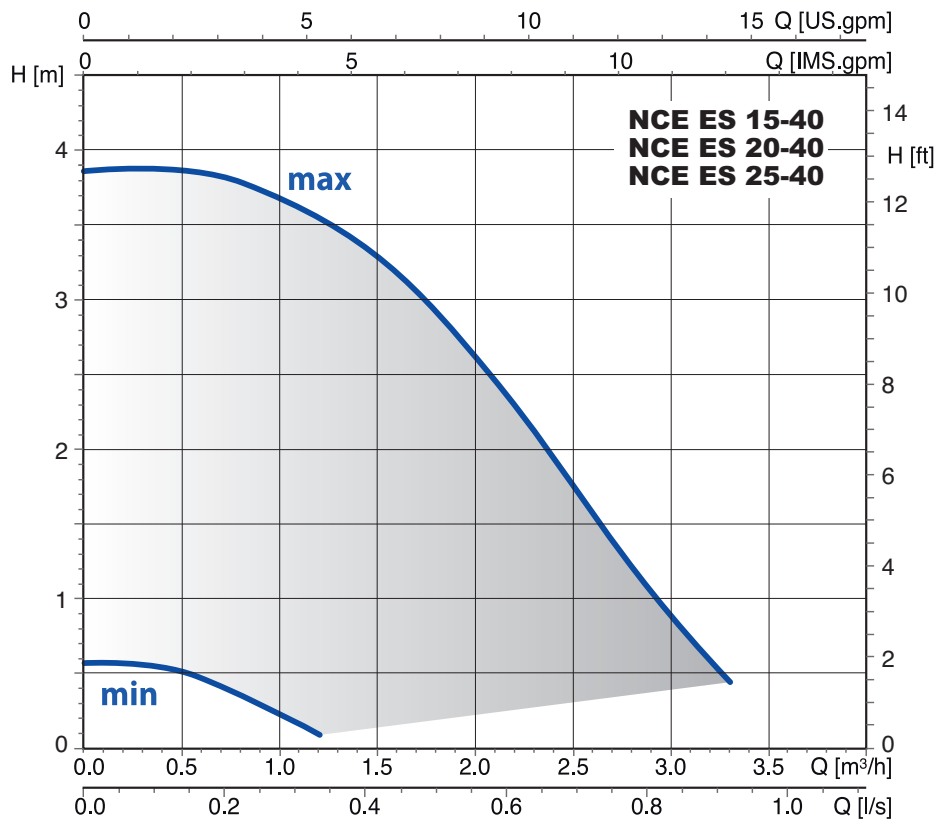
### WARNING!



- The red LED indicates that the pump is not rotating but is still under tension.

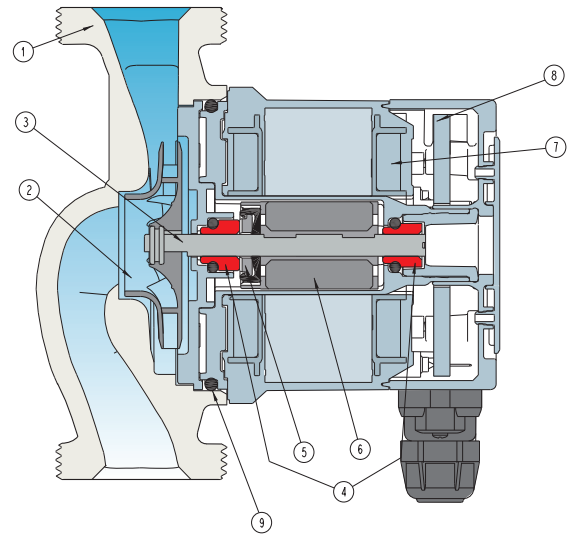
- White flashing LED : plant degassing requirement, air in the system.

## Characteristic curves

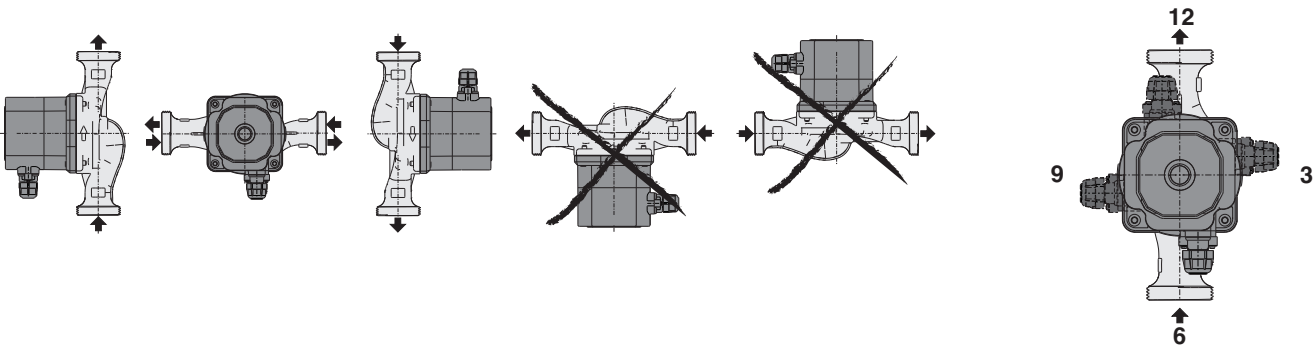


### Materials

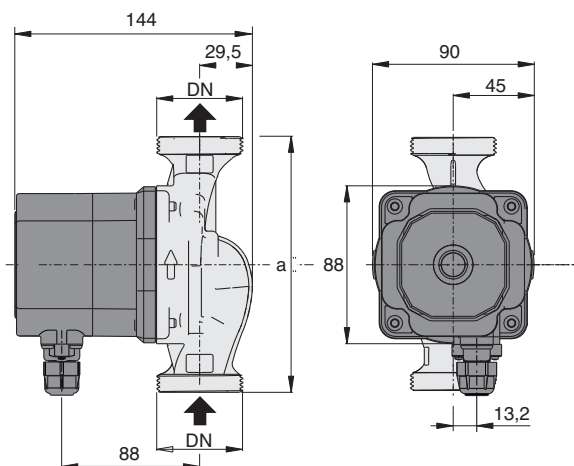
Component	Pos.	Material
Pump casing	1	Bronze
Impeller	2	Composite
Shaft	3	Ceramic
Bearings	4	Carbon
Thrust bearing	5	Ceramic
Rotor	6	Composite / Ferrite
Winding	7	Copper wire
Electronic card	8	-
Gasket	9	EPDM



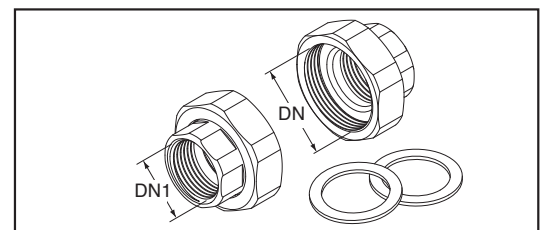
### Examples of installations



### Dimensions and weights



#### Unions (on request)



TYPE	DN	230V		P1		mm a	Net weight kg
		A max	A min	W max	W min		
<b>NCE ES 15-40/130</b>	G 1	0,35	0,03	44	4,5	130	2,15
<b>NCE ES 20-40/130</b>	G 1 1/4	0,35	0,03	44	4,5	130	2,25
<b>NCE ES 25-40/130</b>	G 1 1/2	0,35	0,03	44	4,5	130	2,35

TYPE	DN	DN1
<b>KIT G 1 - G 1/2</b> (NCE ES 15..)	G 1	G 1/2
<b>KIT G 1 1/4 - G 3/4</b> (NCE ES 20..)	G 1 1/4	G 3/4
<b>KIT G 1 1/2 - G 1</b> (NCE ES 25..)	G 1 1/2	G 1

# NCE PS Energy saving circulating pumps for sanitary hot water



## Construction

Energy saving variable speed circulating pump driven by a permanent magnet synchronous motor (pm) controlled by on board inverter. Bronze pump casing.

## Applications

Sanitary hot water systems.

## Operating conditions

- Liquid temperature from +5 °C to +65 °C
- Ambient temperature from 0 °C to +40 °C
- Maximum permissible working pressure: 10 bar
- Storage: -20°C/+70°C max. relative humidity 95% at 40 °C
- Certifications: in conformity with CE requirements
- Sound pressure  $\leq$  38 dB (A).
- Minimum suction pressure: - 0,05 bar at 75 °C  
- 0,28 bar a 90 °C.
- Maximum glycol quantity: 20%.
- EMC according to: EN 55014-1, EN 55014-2  
EN 61000-3-2, EN 61000-3-2.
- Connections: threaded ports ISO 228: G 1 1/4, G 1 1/2.

## Designation

NCE PS 25 - 60 / 180

Series \_\_\_\_\_  
 Version for sanitary hot water \_\_\_\_\_  
 DN ports in mm \_\_\_\_\_  
 Max. head in dm \_\_\_\_\_  
 connection size mm \_\_\_\_\_

## Motor

Synchronous motor with permanent magnet.

- Motor: variable speed
- Standard voltage: single-phase 230 V (-10%;+6%)
- Frequency: 50-60 Hz
- Protection: IP 44
- Insulation class: F
- Overload protection (integrated).
- Cable: phases and neutral.
- Constructed in accordance with: EN 60335-1, EN 60335-2-51.

## Special features on request

The NCE PSR version is equipped with an additional module that allows to control the pump with an analog signal 0-10V. Brass unions.

## Features

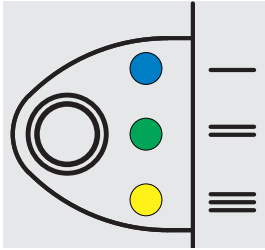
### Easy adjustment

The adjustment is simple and intuitive thanks to the LED indicator.

### Easy use

3 proportional curves and 3 fixed speed curves are available and selectable by the button.

## Operating modes



### Operating functions - control buttons.

NCE PS circulator could work:  
 - with proportional pressure curves  
 - with fixed speed curves



### PROPORTIONAL CURVE PROGRAMMING $\Delta p-v$

- (P1 BLUE LED blinking light)
- (P2 GREEN LED blinking light)
- (P3 YELLOW LED blinking light)

Push repeatedly the button to select the proportional curve.  
 The color changes depending on the selected curve.  
 This operating mode guarantees the maximum energy efficiency.

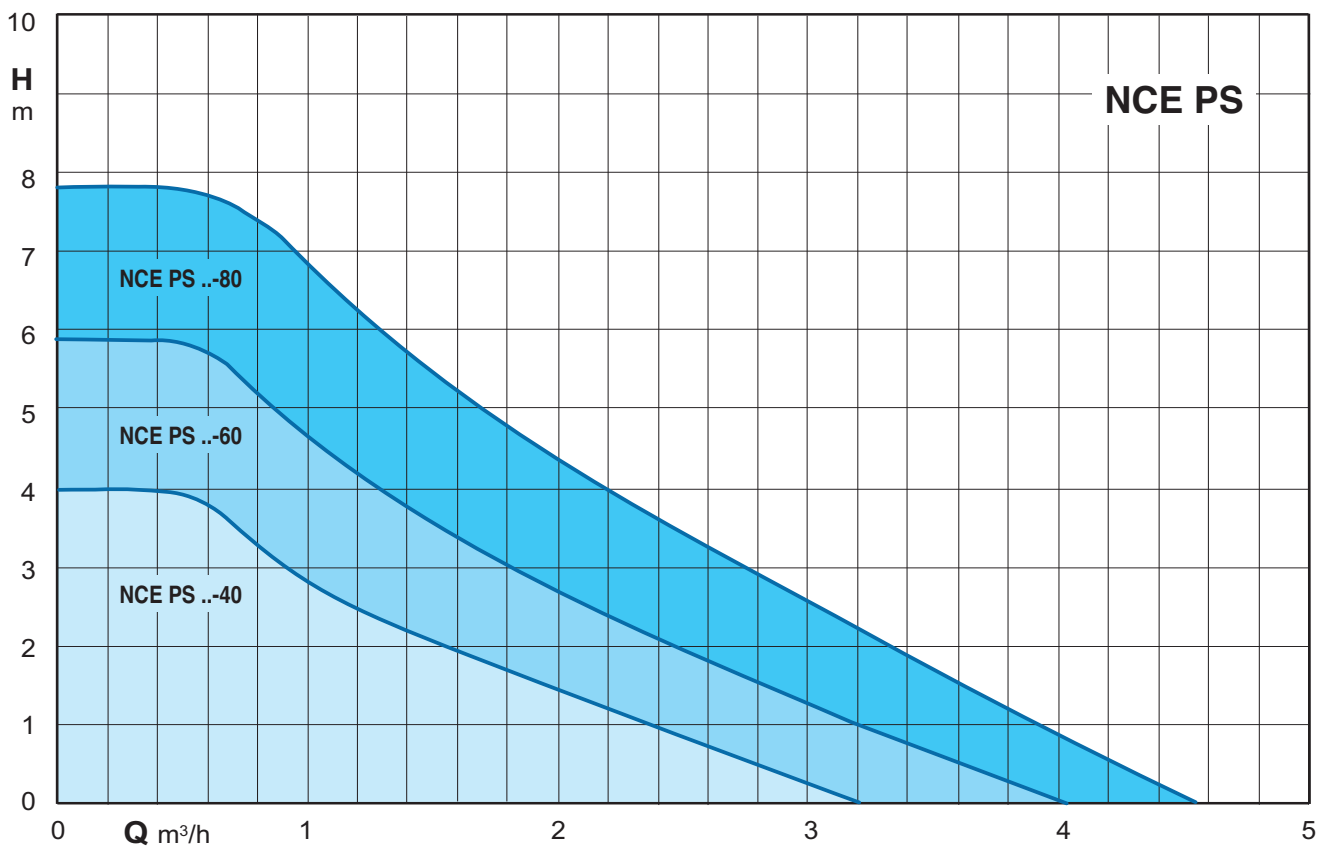


### FIXED SPEED CURVE PROGRAMMING

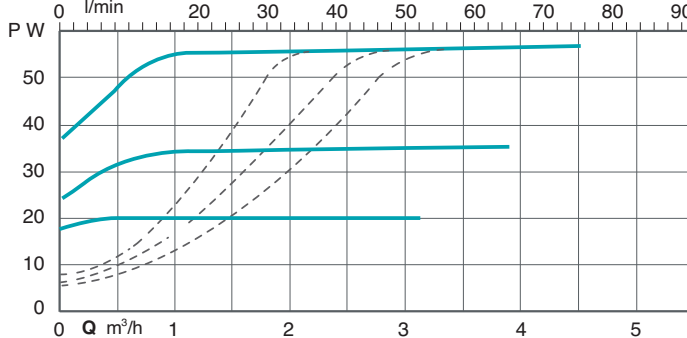
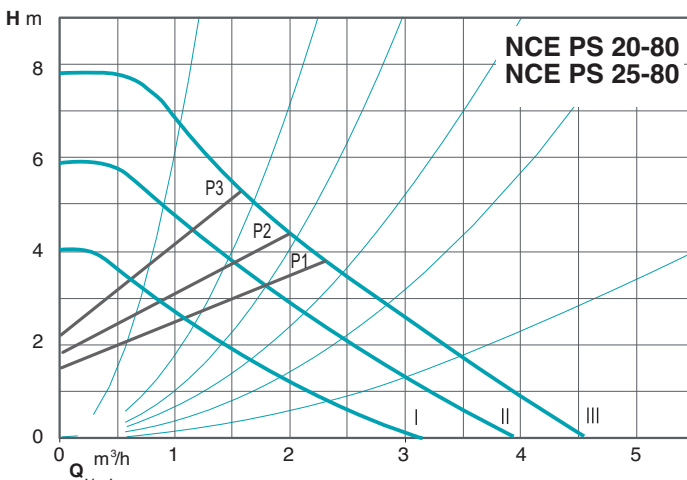
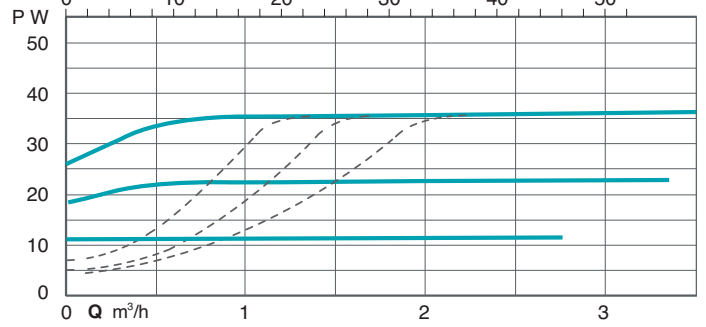
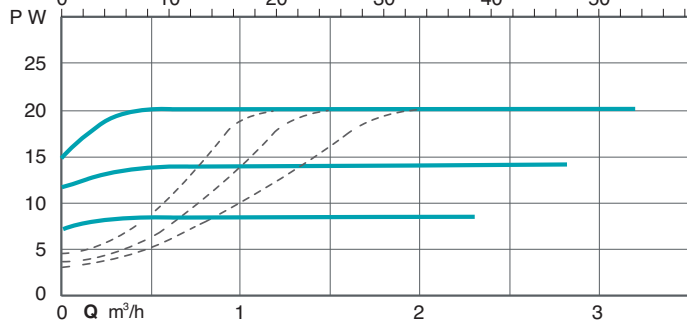
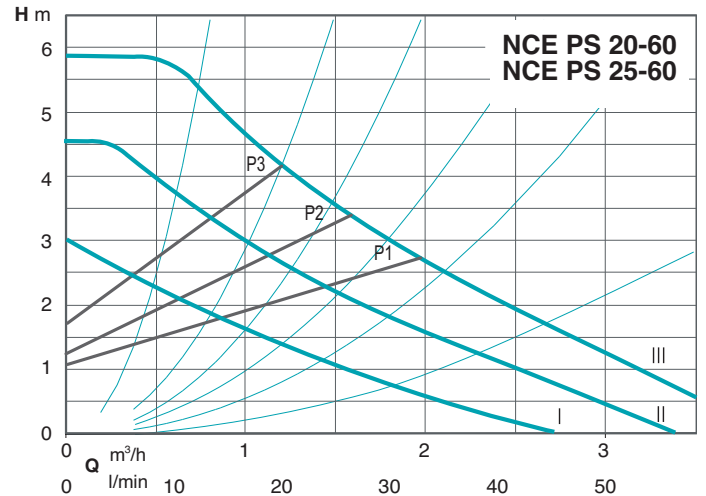
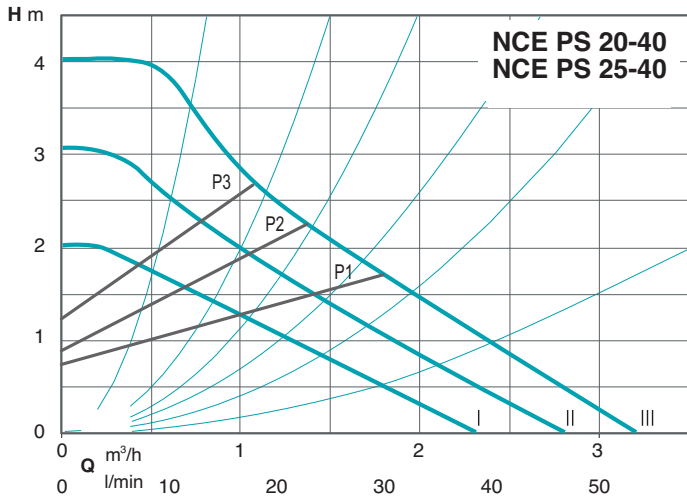
- (I BLUE LED light)
- (II GREEN LED light)
- (III YELLOW LED light)

If you push the button for 5 seconds the pump adopt the fixed speed curve. The color changes depending on the selected curve. (to replace standard 3-speed circulators).

## Coverage chart



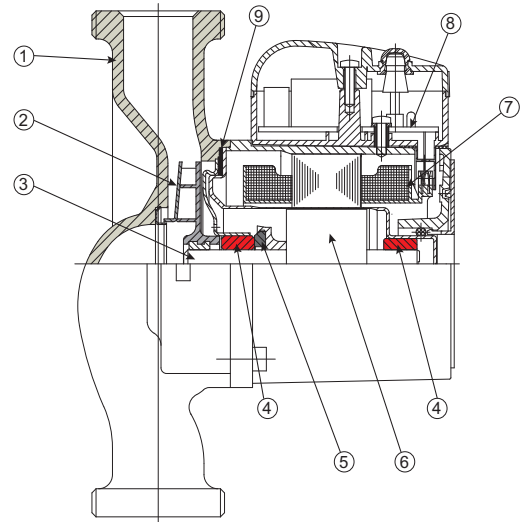
## Characteristic curves



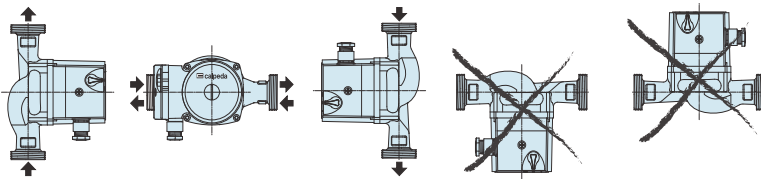


## Materials

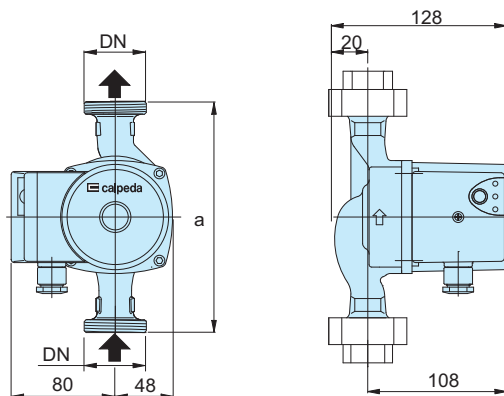
Component	Pos.	Material
Pump casing	1	Bronze
Impeller	2	Composite
Shaft	3	Stainless steel AISI 420
Bearings	4	Carbon
Thrust bearing	5	Ceramic
Rotor	6	Stainless steel jacket
Winding	7	Copper wire
Electronic card	8	-
Gasket	9	EPDM



## Examples of installations

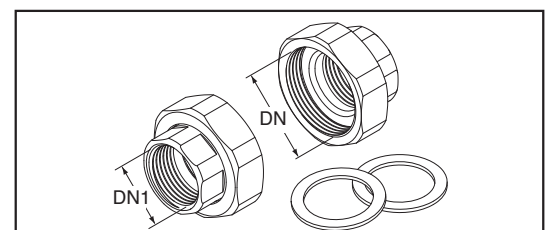


## Dimensions and weights



TYPE	DN	H m	Q m <sup>3</sup> /h	1~ 230 V		P1 W max	a mm	kg
				A min	A max			
NCE PS 20-40/130	G 1 1/4	4	3	0,05	0,2	20	130	2,2
NCE PS 25-40/130	G 1 1/2							2,2
NCE PS 20-60/130	G 1 1/4	6	3,5	0,05	0,32	35	130	2,2
NCE PS 25-60/130	G 1 1/2							2,2
NCE PS 20-80/130	G 1 1/4	8	4	0,05	0,5	55	130	2,2
NCE PS 25-80/130	G 1 1/2							2,2

## Unions (on request)



TYPE	DN	DN1
KIT G 1 - G 1/2 (NCE . 15..)	G 1	G 1/2
KIT G 1 1/4 - G 3/4 (NCE . 20..)	G 1 1/4	G 3/4
KIT G 1 1/2 - G 1 (NCE . 25..)	G 1 1/2	G 1
KIT G 2 - G 1 1/4 (NCE . 32..)	G 2	G 1 1/4

# NCS3

Circulating pumps for sanitary hot water



## Construction

Bronze pump casing with suction and delivery connections with the same diameter and on the same axis (in-line).  
Stainless steel AISI 316 can.

Materials	NCS3 ..-40, -50	NCS3 ...-70
Pump casing	Bronze	Bronze
Impeller	Composite	Composite
Shaft	Stainless steel AISI 420	Stainless steel AISI 420
Bearings	Graphite	Ceramic

## Applications

Circulation of sanitary hot water.

## Operating conditions

Liquid temperature from +5 °C to +65 °C.  
Ambient temperature up to 40 °C.  
Sound pressure ≤ 43 dB (A).  
Minimum suction pressure: 0,05 bar at 50 °C  
Maximum permissible working pressure 10 bar.

## Designation

NCS3 20 - 40 / 130

Series \_\_\_\_\_  
DN ports in mm \_\_\_\_\_  
Max. head in dm \_\_\_\_\_  
connection size mm \_\_\_\_\_

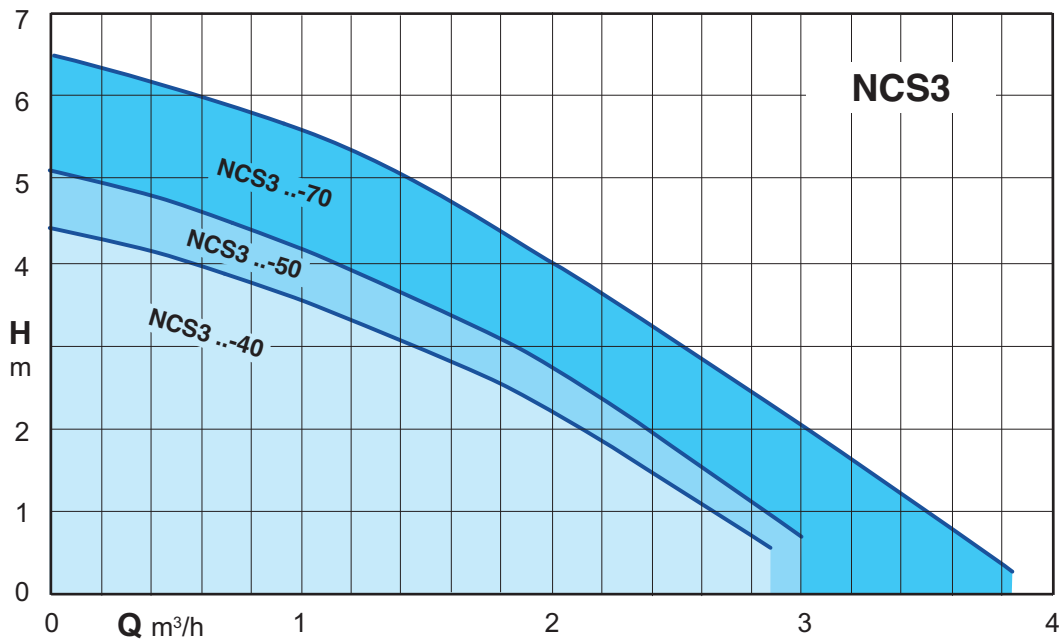
## Motor

2-pole induction motor, 50 Hz.  
Three adjustable speeds.  
**NCS3**: single-phase 230 V.  
Insulation class H.  
Protection IP 44.

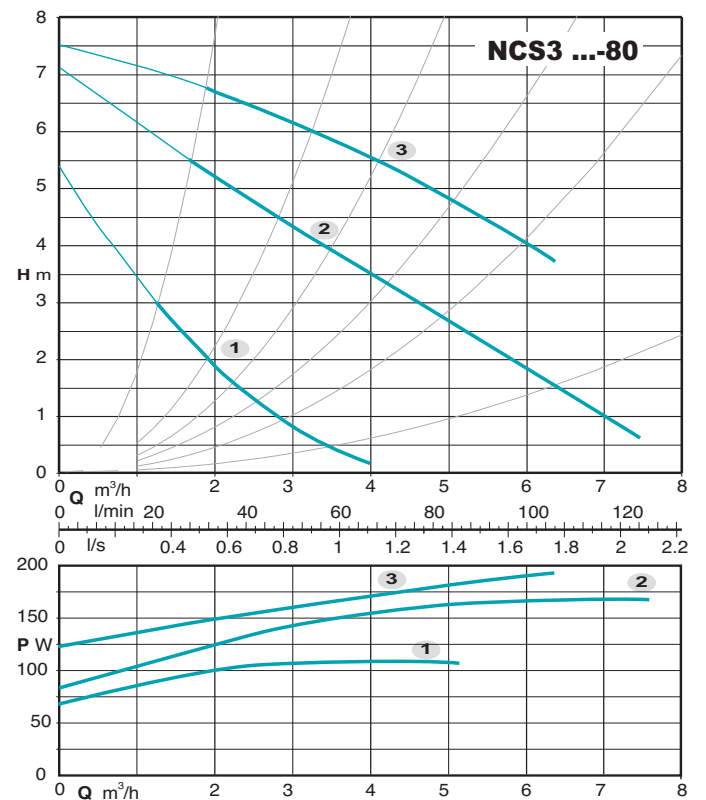
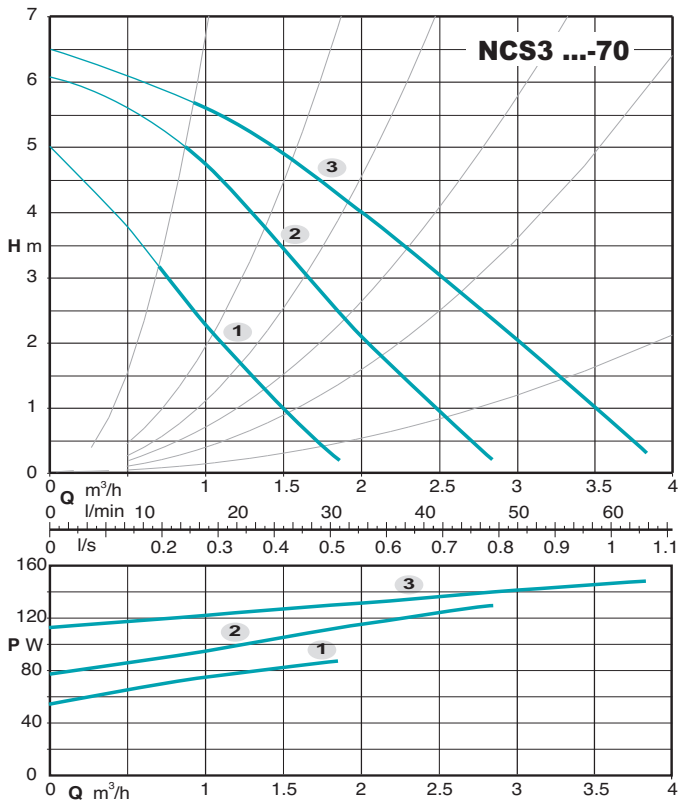
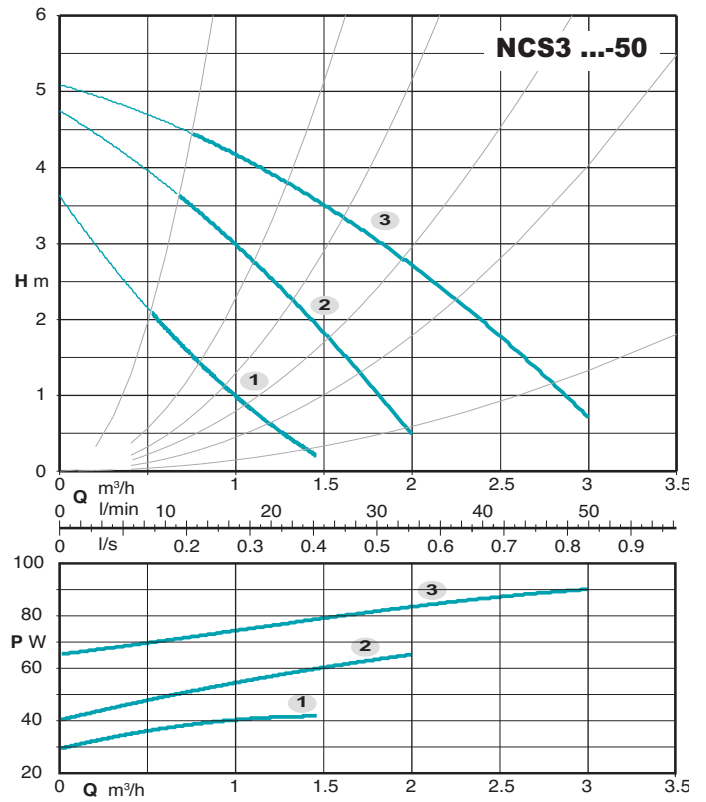
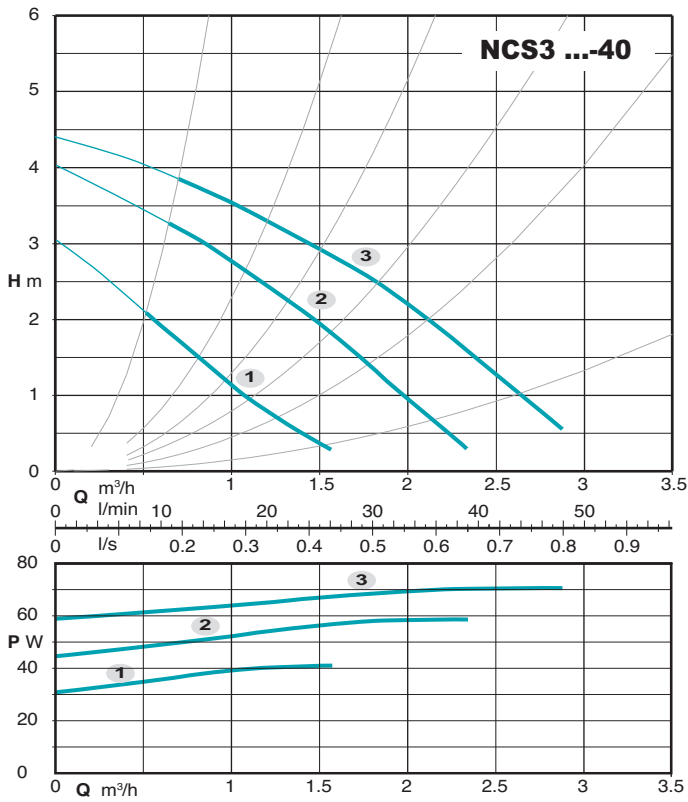
## Special features on request

Brass unions.

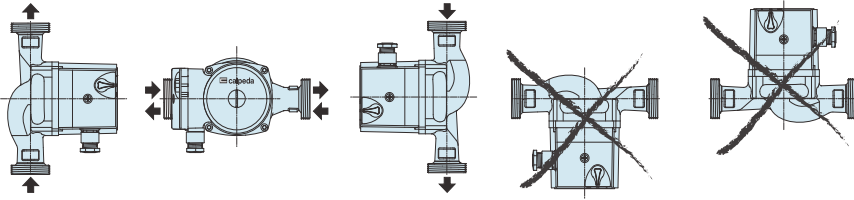
## Coverage chart



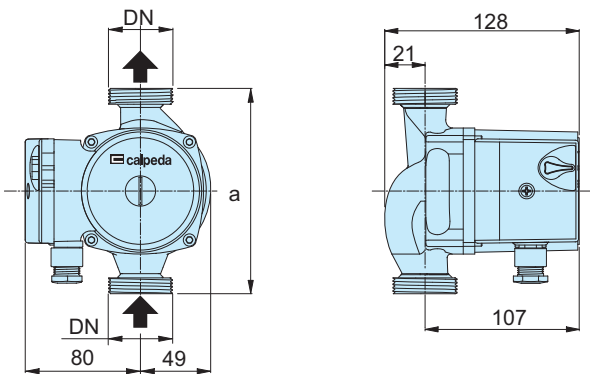
## Characteristic curves



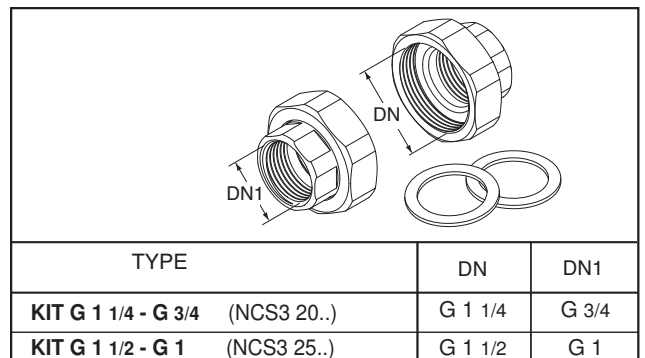
### Examples of installations



### Dimensions and weights



### Unions (on request)



TYPE	DN	Pos.	P1 (W)	1x 230 V [A]	a mm	[kg]
NCS3 20-40/130	G 1 1/4	3	70	0,30	130	2,3
NCS3 25-40/130	G 1 1/2	1	59	0,26		
NCS3 20-50/130	G 1 1/4	3	91	0,38	130	2,5
NCS3 25-50/130	G 1 1/2	1	65	0,28		
NCS3 20-70/130	G 1 1/4	3	148	0,66	130	3,8
NCS3 25-70/130	G 1 1/2	1	128	0,59		
			87	0,41		

# NC3

Three speeds circulating pumps with threaded ports



**CANNOT BE SOLD IN THE EU**

## Construction

Pump casing with suction and delivery connections with the same diameter and on the same axis (in-line).  
Brass or cast iron unions on request.

Component	Materials
Pump casing	Cast iron
Impeller	Composite
Shaft	Stainless steel AISI 420

## Applications

For clean liquids, without abrasives, which are non-aggressive for the pump materials.  
Civil and industrial heaty systems.

## Operating conditions

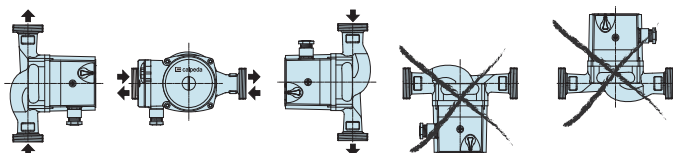
Liquid temperature from +5 °C to +110 °C (from -10 °C to +110 °C for NC3 ..-70 and NC3 ..-80-85-120).  
Ambient temperature up to 40 °C.  
Sound pressure ≤ 43 dB (A).  
Maximum glycol quantity: 50% (Mixture with more than 20% glycol content require rechecking of the pumping data).  
Maximum permissible working pressure 10 bar.

TYPE	Minimum suction pressure: bar		
	Temperature		
	50 °C	80 °C	110 °C
NC3 ..-40,50,60	0,05	0,4	1,1
NC3 ..-70	0,05	0,4	1,1
NC3 ..-80,85,120	0,05	0,4	1,2

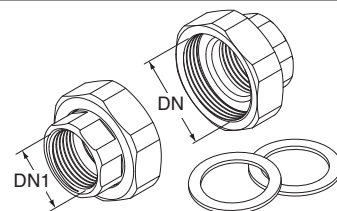
## Motor

2-pole induction motor, 50 Hz.  
Three adjustable speeds.  
**NC3**: single-phase 230 V.  
Insulation class H.  
Protection IP 44.

## Installation



## Unions

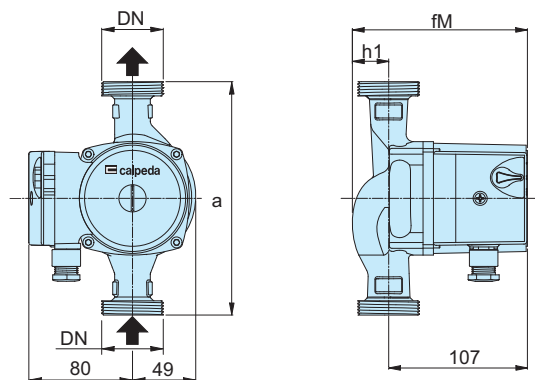
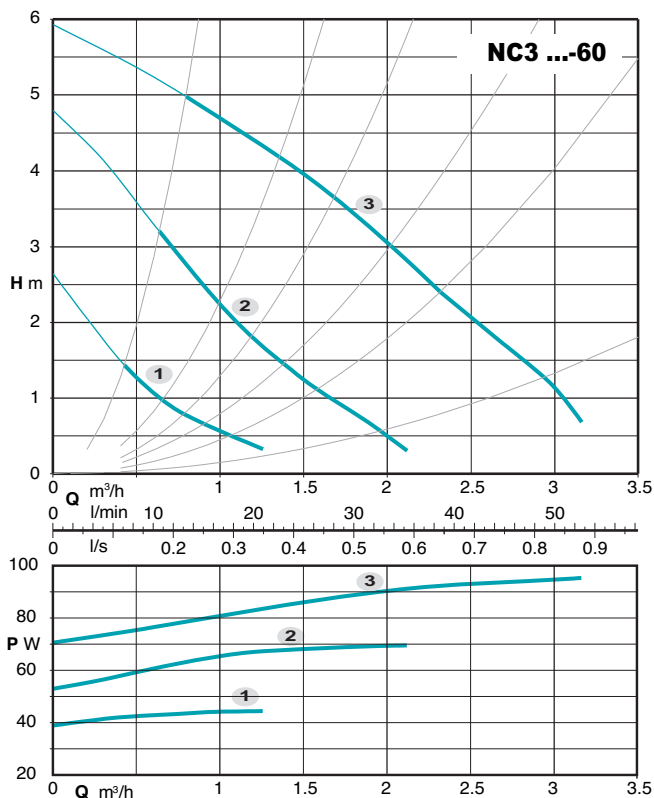
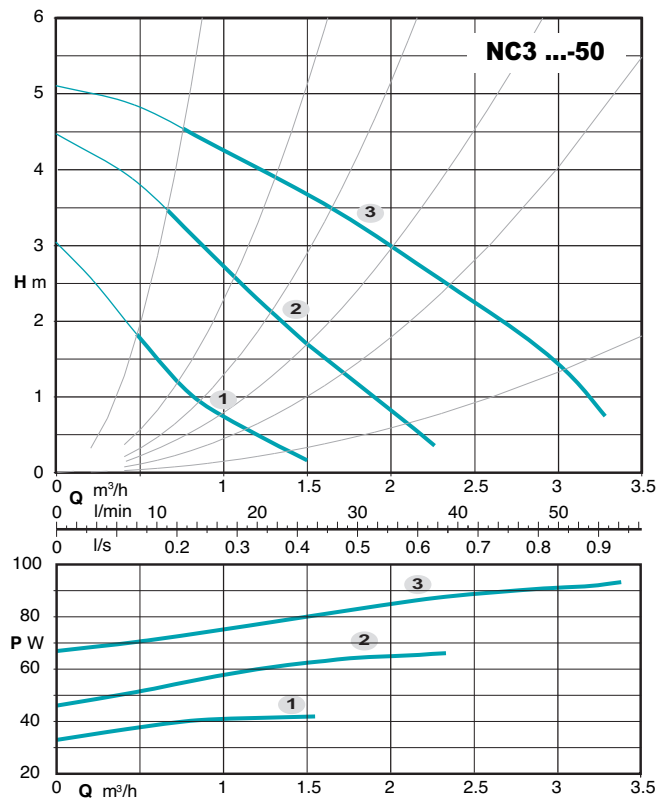
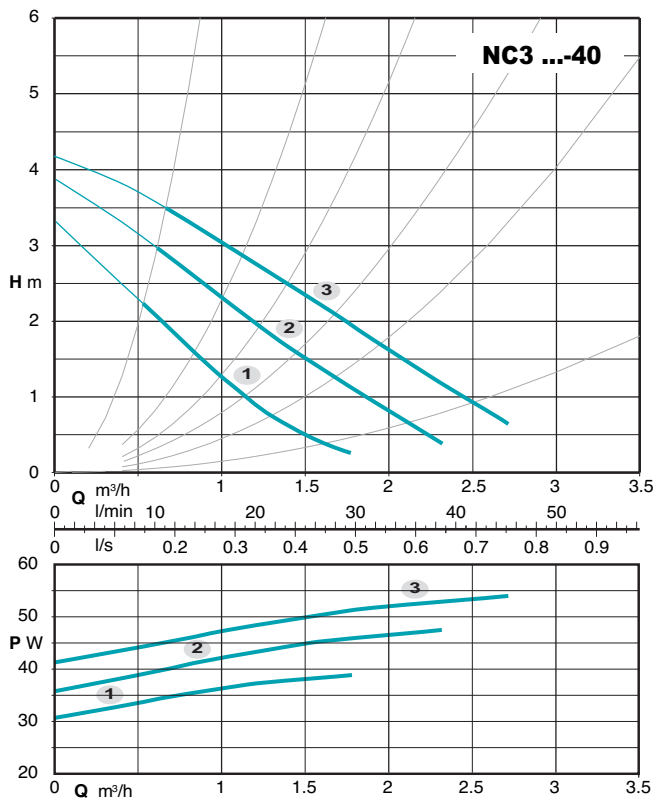


TYPE	DN	DN1
<b>KIT G 1 - G 1/2</b> (NC3 15..)	G 1	G 1/2
<b>KIT G 1 1/2 - G 1</b> (NC3 25..)	G 1 1/2	G 1
<b>KIT G 2 - G 1 1/4</b> (NC3 32..)	G 2	G 1 1/4

## Designation

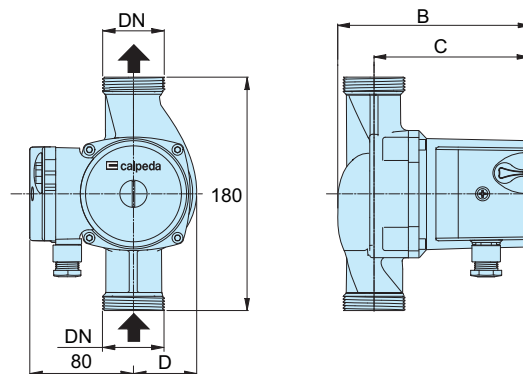
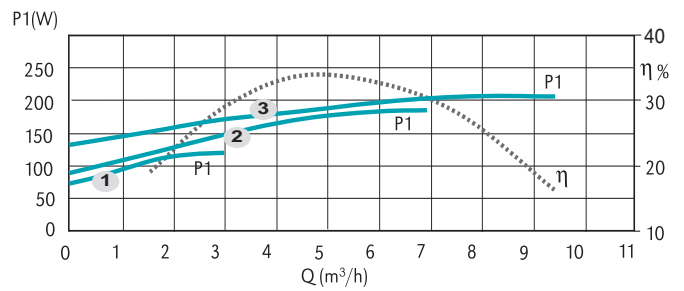
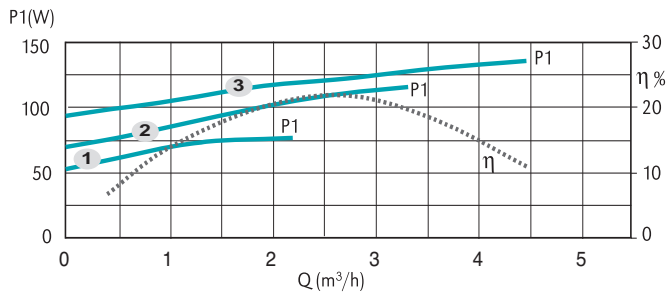
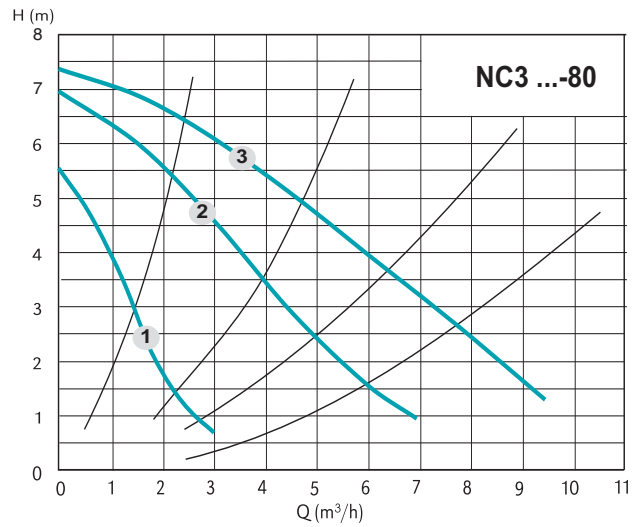
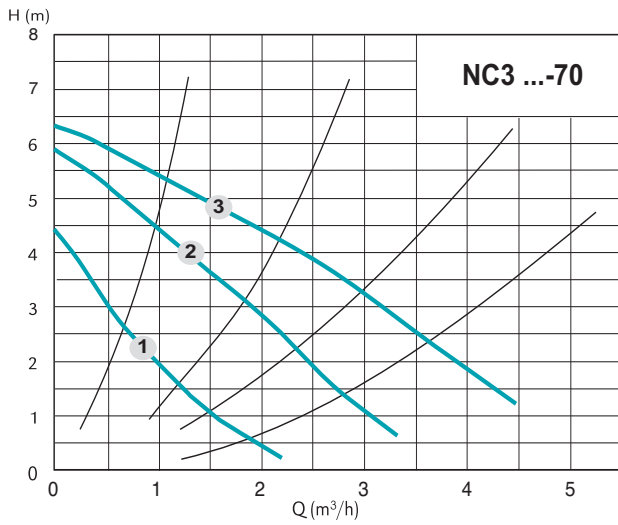
Series \_\_\_\_\_ **NC3 32 - 70 / 180**  
 DN ports in mm \_\_\_\_\_  
 Max. head in dm \_\_\_\_\_  
 connection size mm \_\_\_\_\_

### Characteristic curves, dimensions and weights



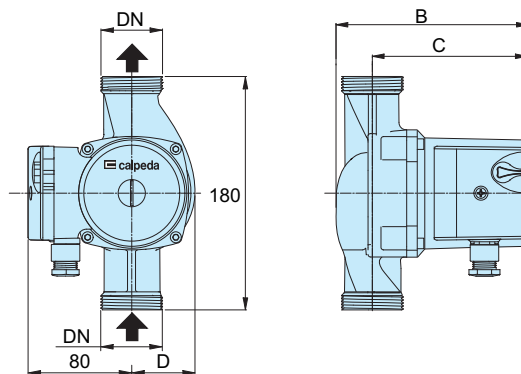
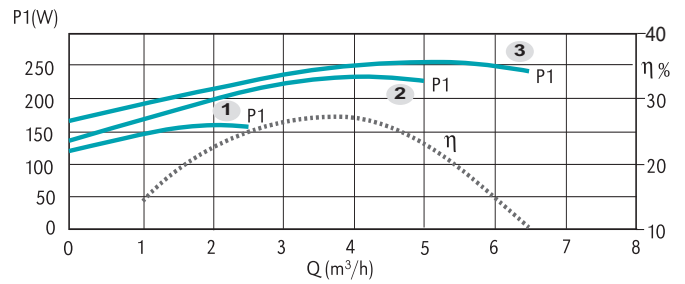
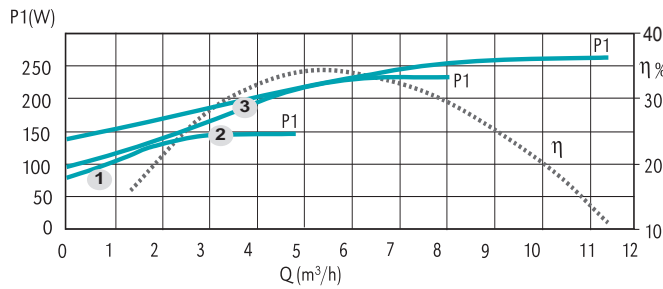
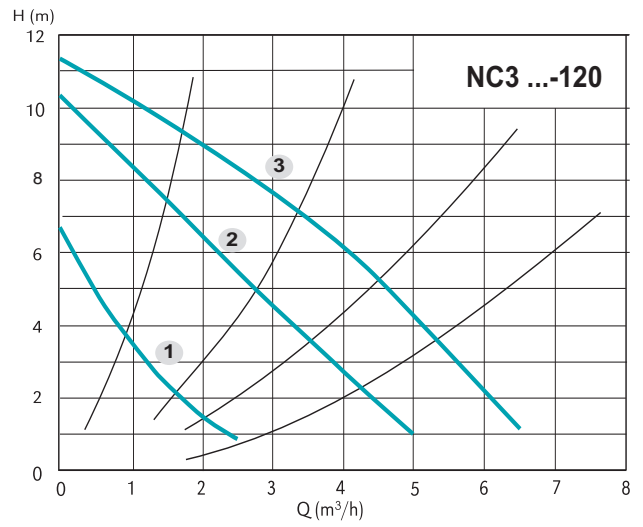
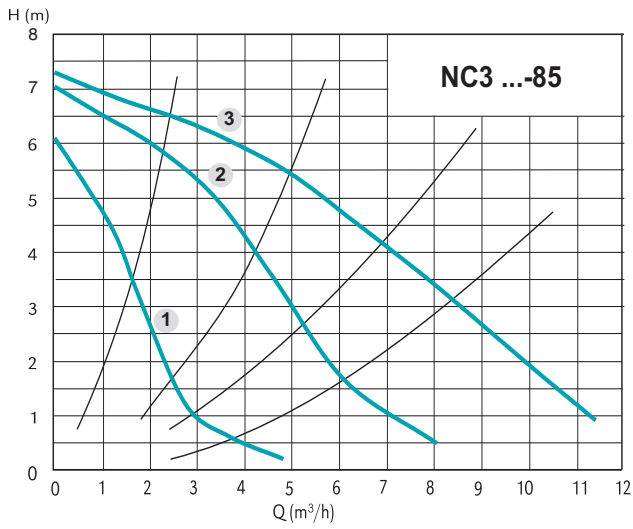
TYPE	DN	Pos.	P1 (W)	1x 230 V [A]	mm			[kg]
					a	fM	h1	
NC3 15-40/130	G 1	3	53	0,23	130	128	21	2,2
NC3 25-40/130	G 1 1/2	2	47	0,21	130	135	28	2,4
NC3 25-40/180	G 1 1/2	1	38	0,17	180	135	28	2,6
NC3 15-50/130	G 1	3	91	0,38	130	128	21	2,2
NC3 25-50/130	G 1 1/2	2	65	0,28	130	135	28	2,4
NC3 25-50/180	G 1 1/2	1	42	0,18	180	135	28	2,6
NC3 32-50/180	G 2	1			180	138	31	3
NC3 15-60/130	G 1	3	95	0,41	130	128	21	2,2
NC3 25-60/130	G 1 1/2	2	70	0,30	130	135	28	2,4
NC3 25-60/180	G 1 1/2	1			180	135	28	2,6
NC3 32-60/180	G 2	1	44	0,20	180	138	31	3

### Characteristic curves, dimensions and weights



TYPE	DN	Pos.	P1 (W)	1x 230 V [A]	[mm]			[kg]
					B	C	D	
NC3 25-70/180	G 1 1/2	3	136	0,61	135	107	49	2,9
		2	116	0,54				
		1	77	0,37				
NC3 32-70/180	G 2	3	136	0,61	138	107	49	3,1
		2	116	0,54				
		1	77	0,37				
NC3 32-80/180	G 2	3	206	0,91	185	143	58	4,7
		2	185	0,88				
		1	120	0,60				

### Characteristic curves, dimensions and weights



TYPE	DN	Pos.	P1 (W)	1x 230 V [A]	[mm]			[kg]
					B	C	D	
NC3 32-85/180	G 2	3	277	1,2	185	143	58	4,9
		2	250	1,16				
		1	172	0,85				
NC3 32-120/180	G 2	3	265	1,15	208	174	68	5,2
		2	251	1,14				
		1	176	0,85				



# IDROMAT

Electronic regulator for pumps



### Construction

Regulation device for pump control equipped with flow and pressure sensor connected to an electronic system.  
 Inlet and delivery connection ports of the same diameter.  
 Built-in check valve.  
 Pressure gauge 0-12 bar supplied as standard for IDROMAT 5.. (IDROMAT 6.. not present).  
 Automatic reset function for the reset of the system without manual operation.

### Applications

Automatic control of pumps for water supply and increase of network pressure.  
**Control of starting/stopping of the pump** when cocks are opened/closed.

#### For protection of the pump:

- against dry running;
- against the risk of operation without water at the inlet (caused by a lack of water inflow in the inlet pipe under positive suction head, by a non-immersed suction pipe, by excessive suctionlift or by air entering the suction pipe);
- against operation with closed connection ports.

### Operating conditions

Mains voltage: single-phase 230 V ±10% Idromat 5e;  
 single-phase 115 - 240 V ±5% for Idromat 5, 6.  
 Frequency: 50 - 60 Hz.  
 Current values:  
 - 8A max during operation (16A max at start-up) for IDROMAT 5;  
 - 16A max during operation (30A max at start-up) for IDROMAT 6  
 Maximum pump motor power 1,5 kW (2,2 kW for IDROMAT 6).  
 Protection: IP 65.  
 Maximum working pressure: 12 bar (1,2 MPa)  
 Maximum Operating temperature up to 65 °C.  
 Minimum flow ~ 1 l/min.  
 Male connections 1" (1 1/4 for IDROMAT 6).

### Operating conditions

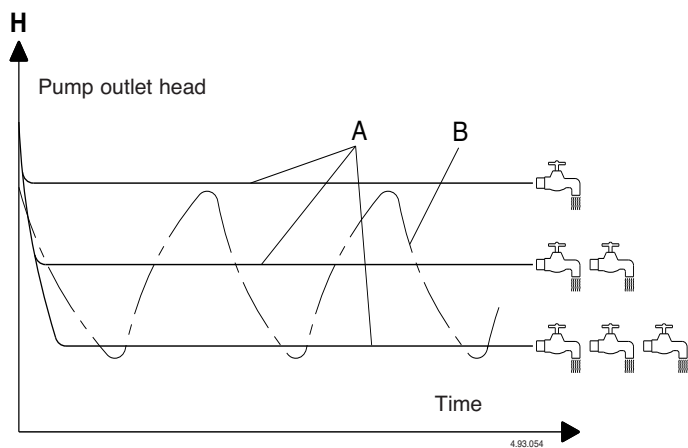
TYPE	Switching-on pressure	Pump head
<b>IDROMAT 5-12</b>	1,2 bar	> 25 m
<b>IDROMAT 5-15</b>	1,5 bar	> 30 m
<b>IDROMAT 5-22</b>	2,2 bar	> 35 m
<b>IDROMAT 5-30</b>	3 bar	> 45 m
<b>IDROMAT 6-15</b>	1,5 bar	> 30 m
<b>IDROMAT 6-30</b>	3 bar	> 45 m
<b>IDROMAT 5e</b>	adjustable from 1,5 to 2,5 bar	(1)

(1) 1,5 bar more than the expected restart pressure

### Materials

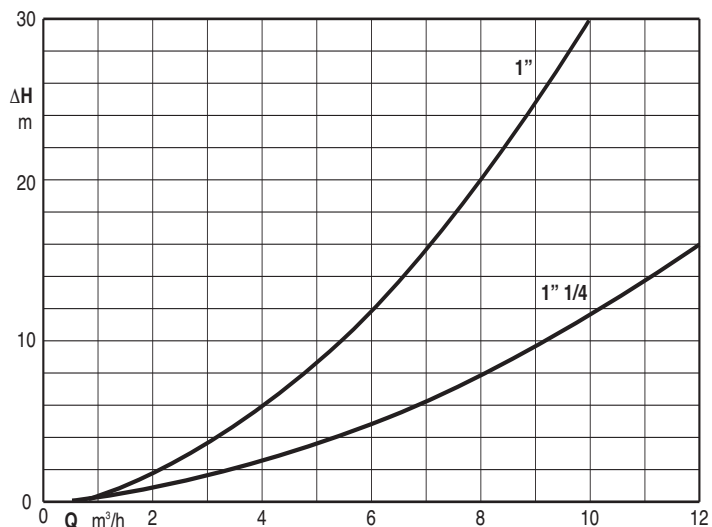
Component	Material
Housing	Polyamide PA 6 G.F. reinforced
Membrane	Natural rubber

### Comparison of pressure values



A = operation with **IDROMAT** = constant pressure;  
 B = operation with traditional vessel and pressure switch system.

### Diagram of head loss



ΔH = Head loss in meters

### Control Panel



#### Status indications and system reset

The three leds give the information about the system operativity, the first led indicates the presence of supply, the second led indicates if the pump is operating and the third led indicates if an alarm has occurred in the system. The Reset button allows to manually restart the system when an alarm occur.



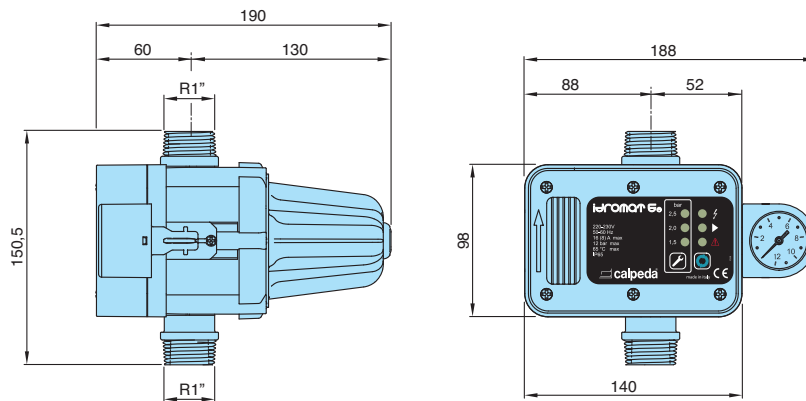
#### Programming of the re-start pressure

The display allows to visualize the re-start pressure of the system, the buttons allow to change the re-start pressure value.

### Dimensions and weights

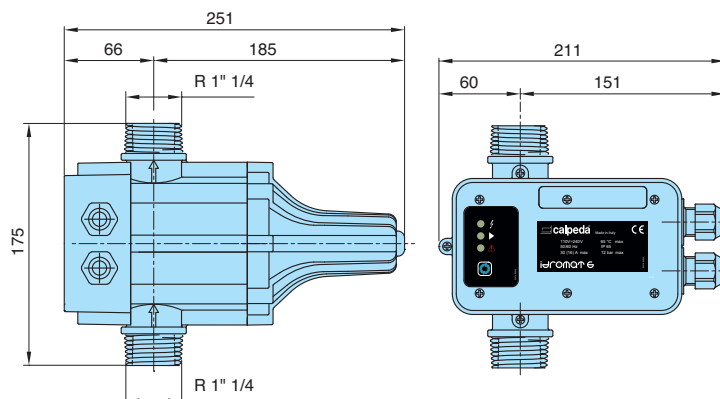
#### IDROMAT 5

kg 1,2

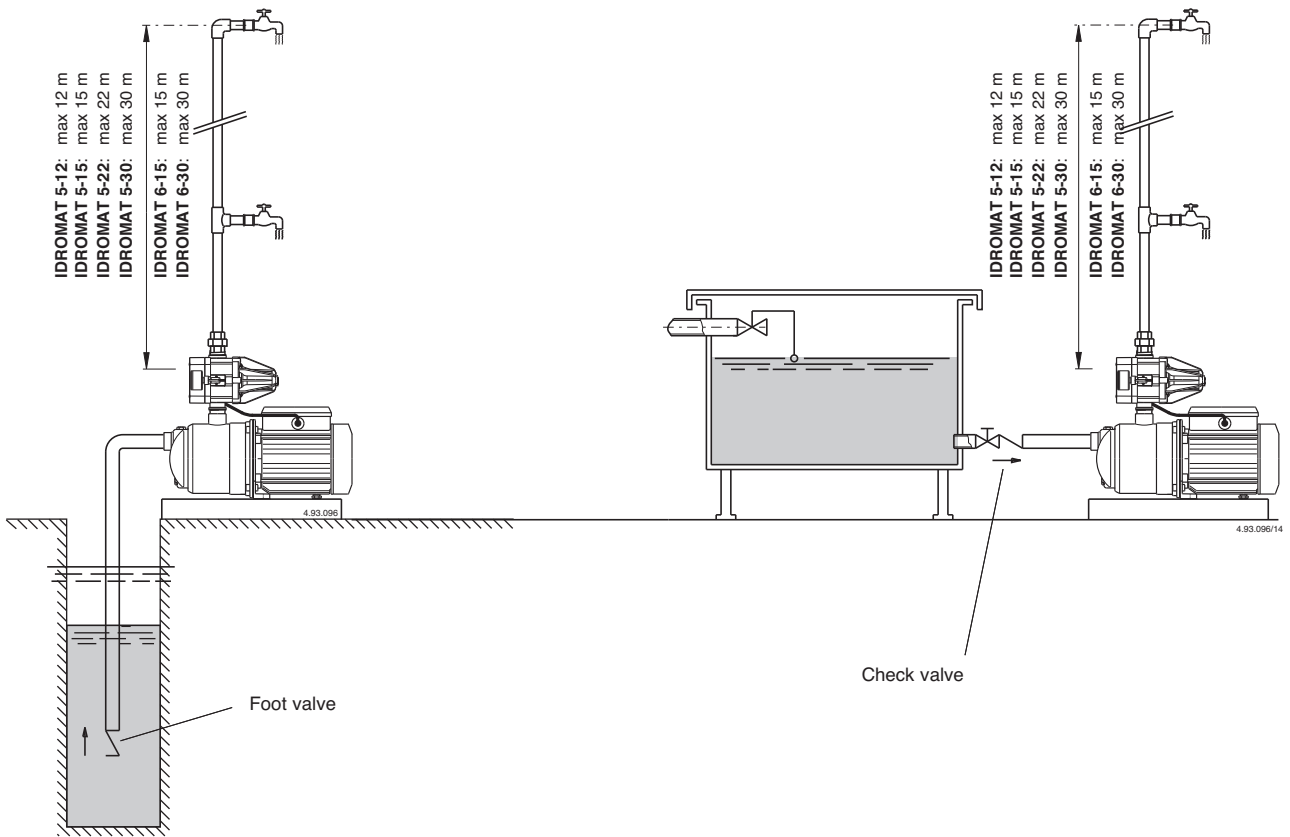


#### IDROMAT 6

kg 1,5



## Installation example



## Features



### Flexibility

The standard double supply voltage (only for Idromat 5 and 6) allows to connect power supply of 115 - 240V without modifications on the device.

### Easy to use

With the Idromat 5e it is possible to change the re-start pressure, the operation is possible also with the pump that operate.

### Safety

The device includes a automatic re-start system with anti-lock mode in order to reduce the user operations.

### Reliability

The pressure gauge locking system (patented) allows an easy replacement in case of failure and an easy drainage of the device.

### User friendly

The high luminosity leds allows a higher visibility of the operating conditions.

# EASYMAT Variable speed system driven by frequency converter



PATENTED



## Features

### Constant pressure

The Easymat via a frequency inverter keeps the pressure constant as the flow demand changes.

### Energy saving

The variable speed operation ensures that only the energy required by the plant at any instant is used.

### System reliability

Because the easymat is independent of the pumped liquid it's operation is not affected by fluid impurity.

A float switch can also be integrated to further protect against dry running.

### Flexibility

Thanks to it's patented design the easymat does not come into contact with the pumped fluid. This provides for more flexibility during installation eliminating the need for pipe-work modifications or the installation of isolating valves.

### Easy to use

The easymat has a clear display making it very simple to set-up.

### Cascade control mode

The system flexibility allows via a microprocessor for cascade operation of two easymat's via one pressure transducer.

## Construction

Variable speed system driven by frequency converter, for the pressure control in domestic and residential plants.

The system is connected to the delivery pipe providing for simple installation and better cooling (patented) making the unit more compact and easy to assemble.

Easymat is supplied with one **pressure transducer**, G 1/4 connection and 1.5 m cable length.

## Applications

Automatic frequency inverter control for use on pumps to increase network pressure.

The system maintains constant pressure whilst the controlling the pump operation against changing system demand.

### For protection of the pumps:

- Against dry running
- Against operations with closed connection ports
- Against overcurrent of the motor
- Against overvoltage and undervoltage of the power supply

## Operating conditions

**EASYMAT MM** - Input voltage: 1~ 230V  $\pm$ 10%  
- Output voltage: 1~ 230V

**EASYMAT MT** - Input voltage: 1~ 230V  $\pm$ 10%  
- Output voltage: 3~ 230V

Input frequency: 50-60 Hz

Output frequency: up to 70 Hz

Protection: IP 55

Max Ambient temperature: 40°C

Max liquid temperature: 40 °C

Minimum Flow: 3 l/min

Altitude: no higher than 1000 m, inside a closed environment.

## Construction

(Standard execution)

The system comprises of:

- Frequency converter.
- Pressure transducer.
- Pipe housing.
- Fixing screws.
- Terminal board.
- Cable glands.
- Multi-hole gaskets.

## Type

Type (single-phase)	Frequency converter max current output A	Standard power motor 230V kW
Easymat 9,2MM	9,2	0,37 - 1,5

Type (three-phase)	Frequency converter max current output A	Standard power motor 230V kW
Easymat 9,2MT	9,2	0,37 - 2,2

### Control Panel

Easymat is equipped with a control panel for simple system programming and parameter monitoring.

The **2 scroll buttons** are used to scroll the different operating parameters that EASYMAT can show.

At the same time you can use the 2 scroll buttons to move in the set up menu and to change the different options.

The **LCD custom display** gives an easy overview of the system situation and of the operating parameters.

The icons on the top and below the display area explain in which way EASYMAT is working and if there are problems on the system.

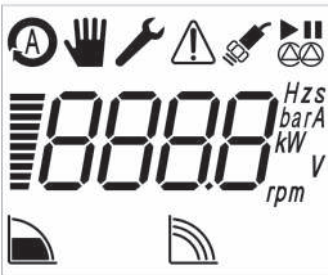
The four set-up buttons allow the operator to move between and set-up the menu's and to start and stop the pump. The symbols help to make the function of each button clear.

With these 4 buttons and the 2 scroll buttons you can manage all the set-up and operating parameters without the use of an other control panel or computer.



4.93.410

### Display LCD



The integrated LCD custom display gives you an easy overview of the system situation and operating parameters.



#### DISPLAY AREA

The display area gives the status of the parameters of the pump.

The **OPERATING ICONS** show in which mode the system is operating:



#### Constant pressure mode

The system keeps the pressure constant when the quantity of water requested by the user changes. The user can choose the operating pressure according his needs.



#### Fixed speed mode

The system works at a fixed speed that user can choose according his needs.

The **SYSTEM ICONS** show in which way the system is operating:



#### Auto Mode

The icon shows that the system is operating in auto mode (constant pressure mode), the constant pressure mode it is indicated by the icon on the lower part of the display.



#### Manual Mode

The icon show that the system is operating in manual mode (fixed speed mode), with the navigation buttons the user can change the speed, the fixed speed mode is indicated by the icon on the lower part of the display.



#### Set-up Mode

The icon shows that the set-up menu is activated, in this mode it is possible to change all the operating parameters of the EASYMAT. With the navigations buttons it is possible to scroll the parameters and, if necessary, change them.



#### Sensor State

indicates the state of the pressure transducer connected to the EASYMAT, if lit it indicates that the pressure transducer is working, if it is blinking there is a fault or a incorrect connection of the pressure transducer.



#### Alarm

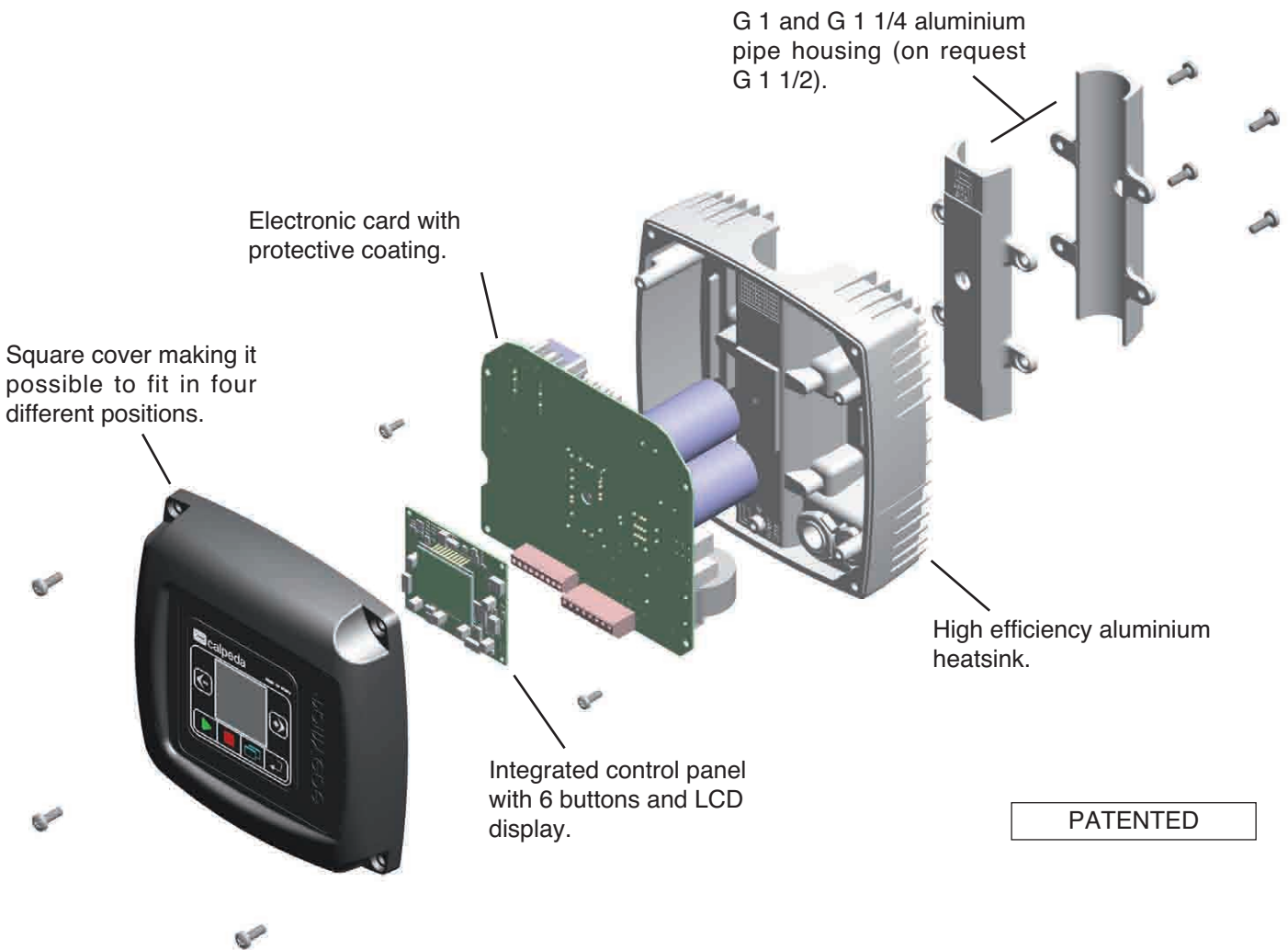
It indicates that there is a fault on the system, the error number appears on the display area.



#### Cascade Mode

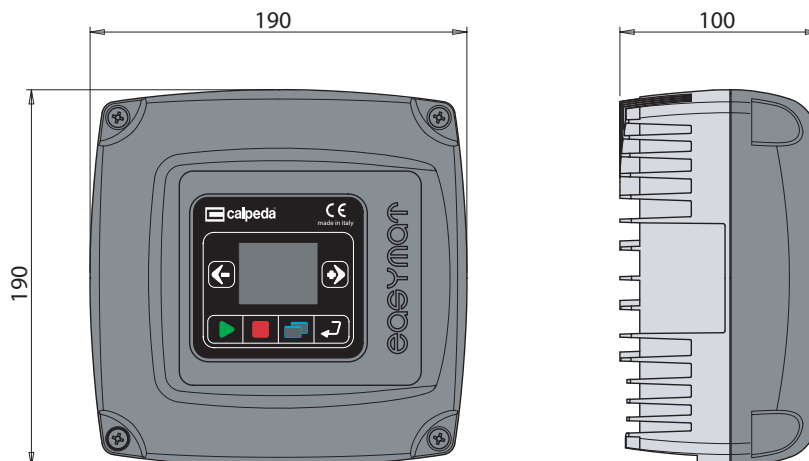
It indicates that the multi-pump mode (up to 2 pumps) is working, the upper icon shows if the pump connected with the frequency converter is running or is in stand-by, the lower icon indicates if the pump is the master pump (the icon is lit) or the slave pump (the icon is blinking).

## Overview



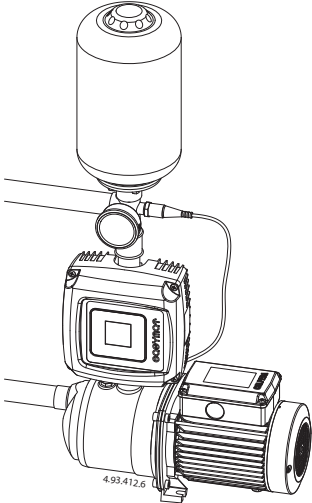
## Dimensions and weights

Weight kg 1,9

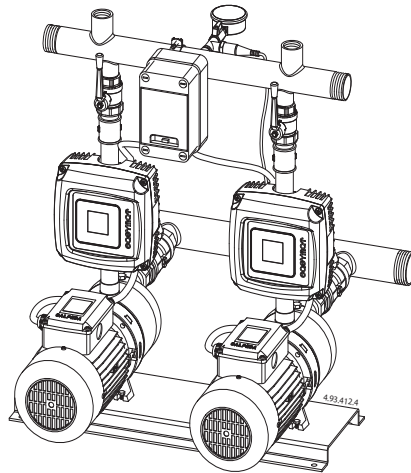


## Installation example

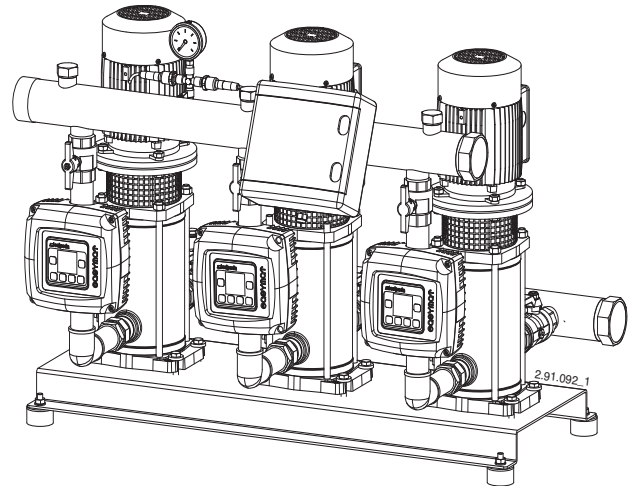
One pump  
installation scheme



Two pumps  
installation scheme

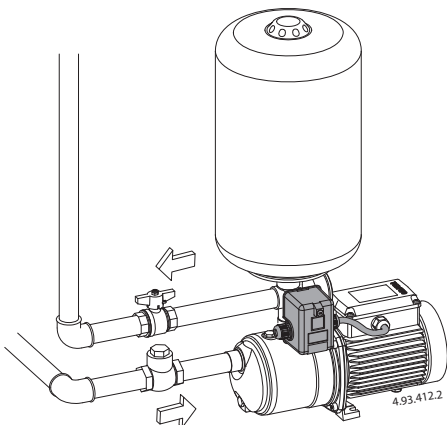


Three pumps  
installation scheme



## Plant conversion scheme

### Existing fixed speed version

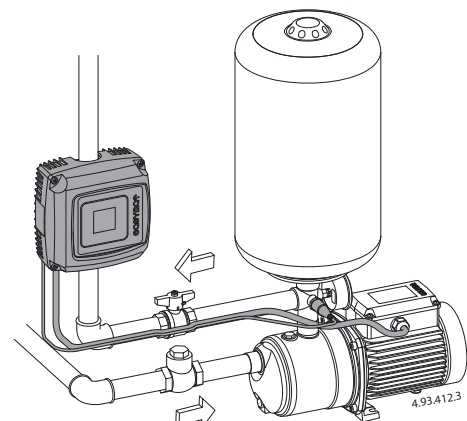


With EASYMAT it is easy to create a variable speed system starting from an existing fixed speed system without disturbing the existing pipe-work.

To create the variable speed system it is only necessary to:

- Disconnect the pressure switch from the system and, in the same housing connect the pressure transducer.
- Connect EASYMAT to the pipe.
- Connect EASYMAT to electric motor.
- Connect the supply cable to the electric grid.

### Variable speed system version





# I-MAT Variable speed system driven by frequency converter



## Benefits

### Flexibility

I-MAT frequency converters are equipped with a software which provide different operating modes in order to cover a wide range of applications.

### Reliability

The high efficiency heatsink with integrated fans allows to cool the frequency converter independently from the motor, to provide a higher reliability of the system.

### Safety

The shape of the I-MAT frequency converters allows to separate the signal terminals area, from the power terminals area, in this way the user can operate on the signals connections in safety conditions.

### Easy to use

The integrated control panel allows to program all the parameters directly on the frequency converters. Moreover it's possible to remove the control panel and remote it with a connection cable.

### Communications between units

The system flexibility allows, with an optional electronic card, to assemble more units making them communicate together. The system is capable to manage variable speed pumps (up to 6) and fixed speed pump (up to 5).

## Construction

Variable speed system driven by frequency converter for the motor control in the water supply applications and in the production/distribution of hot/cold water.

I-MAT is an integrated control system which, applied to the motor, allows to manage a wide range of applications and operating modes.

Classification scheme IE2 in accordance with EN 50598.2

## Applications

Frequency converter for automatic pump control suitable for:

- water supply
- water transport and distribution
- production and distribution of hot/cold water
- water treatment

### For protection of the pumps:

- Against dry running
- Against operations with closed connection ports
- Against overcurrent of the motor
- Against overvoltage and undervoltage of the power supply
- Against unbalance or missing supply phases.

## Operating conditions

Standard voltage: 400 V  $\pm 10\%$  (380-415V) three-phase

Input voltage: 3~380V-10%  $\div$  3~480V+5%

Output voltage: 0  $\div$  100% of the input voltage

Input frequency: 50-60 Hz

Output frequency: up to 70 Hz

Protection: IP55

Max Ambient Temperature: 50°C

Altitude: no higher than 1000 m, inside closed environment.

## Construction

(standard execution)

The system comprises of:

- Frequency converter
- Removable control panel
- Power terminal board
- Signals terminal board
- Cable glands

### On request:

- Adapter for motor mounting
- Adapter for wall mounting
- Pressure and temperature transducer
- Main switch
- Line filter and output filter

## Type

Type (three-phase)	Frequency converter max current output A	Standard power motor 400V kW
I-MAT 5,2 TT-A	5,2	0,55 $\div$ 1,8
I-MAT 11,2 TT-B	11,2	2,2 $\div$ 4
I-MAT 25,8 TT-C	25,8	5,5 $\div$ 11
I-MAT 65,4 TT-D	65,4	15 $\div$ 30 (37)*
I-MAT 119 TT-E	119	37 $\div$ 55

\* 2-pole 37 kW

## Operating modes



### Constant pressure mode

Constant pressure keeps the pressure constant at a fixed value set by the user. This value of pressure is automatically kept by the system to provide to the final user a constant pressure even with different water demand, within the maximum performance of the motor-pump system.



### Proportional pressure modes

Proportional pressure reduces the pressure of the pump (and as a consequence, the operating frequency) proportionally with the water demand of the system.



### Constant temperature mode

In this operating mode the system is used to keep the temperature at a constant value in a specified system point.



### Constant flow mode

Constant flow mode grants that system change the speed of the pump in order to keep constant the flow which pass inside a flow meter.



### Fixed speed mode

In this operating mode the system work as a fixed speed pump. The speed of the pump could be set by the user between a range of speeds, or controlled by an external signal.



### Night mode

The night mode is an optional mode which allows to reduce the speed of the pump if the temperature in the system decreases below a set value, this operating mode can be used with all operating modes over described.

## Control Panel



I-MAT is equipped with a control panel that allows to carry out the set-up of the system and to monitor all system parameters.

The control panel is inside a IP55 enclosure which is possible to rotate and install in remote positions.

It is possible use the control panel in remote positions by means a cable with M12 connectors (standard cable).

The LCD custom display gives an easy overview of the system situation and of the operating parameters.

The icons on the top and below the display area explain in which way i-MAT is working and if there are some problems on the system.

The 2 scroll buttons are used to scroll the different operating parameters that i-MAT can show. At the same time you can use the 2 scroll buttons to move in the set up menu and to change the different options.

**The 4 set-up buttons** are created to enter and to move on the set-up menus and to start and to stop the pump. The symbols help to understand the function of each button. With these 4 buttons and the 2 scroll buttons you can manage all the set-up and operating parameters without the use of another control panel or computers.

# I-MAT Variable speed system driven by frequency converter



## Overview

### Control panel

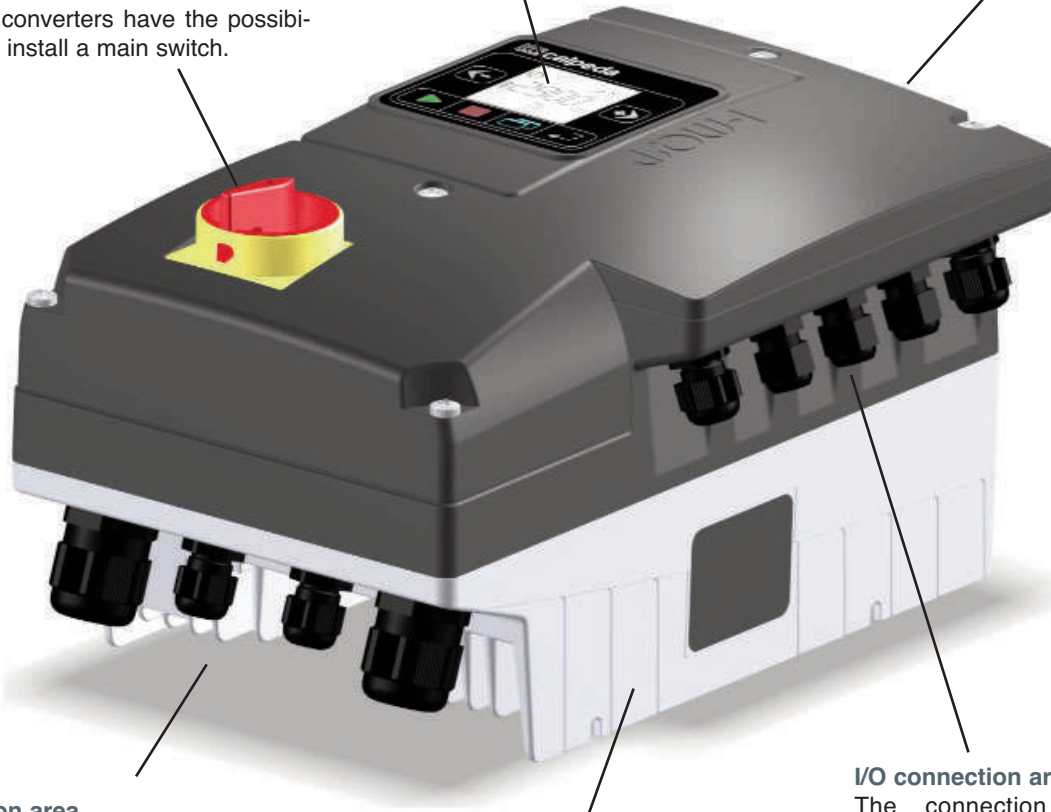
The integrated control panel gives the customer the possibility to set all the parameters of the frequency converter.

### Optional modules

On the front side of the frequency converter are predisposed compartments for connecting the optional modules.

### Main switch

The frequency converters have the possibility (optional) to install a main switch.



### Power connection area

The connection area is protected by a safety cover.

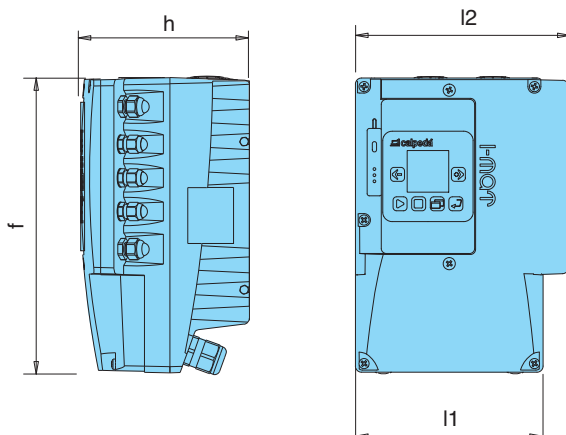
### Heatsink

The high efficiency heat sink cooled by fans guarantees a high reliability. The side connection system allows an easy connection with the motors.

### I/O connection area

The connection area for the input/outputs is separated from the power connection area, this solution allows to connect external.

## Dimensions and weights



TYPE	mm				kg
	h	f	l1	l2	
I-MAT 5,2 TT-A	165	263	170	190	5,8
I-MAT 11,2 TT-B	165	292	185	210	6,7
I-MAT 25,8 TT-C	207	336	255	281	13,5
I-MAT 65,4 TT-D	288	460	320	350	33
I-MAT 119 TT-E	336	700	424	455	59

## Installation example

### One pump installation scheme



MXH EI



NM EI

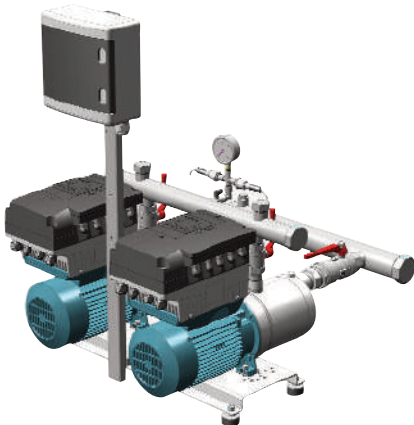


NR EI

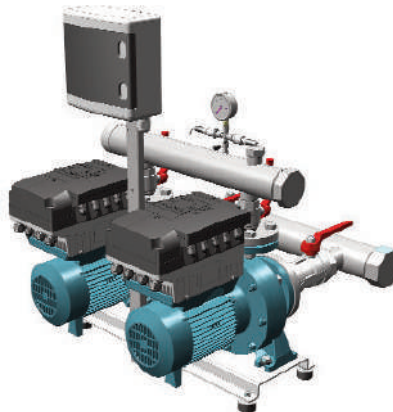


MXV EI

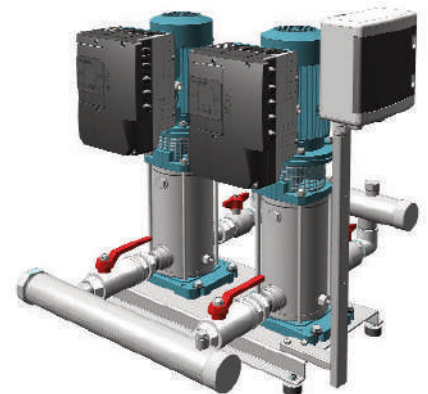
### Two pumps installation scheme



2MXH

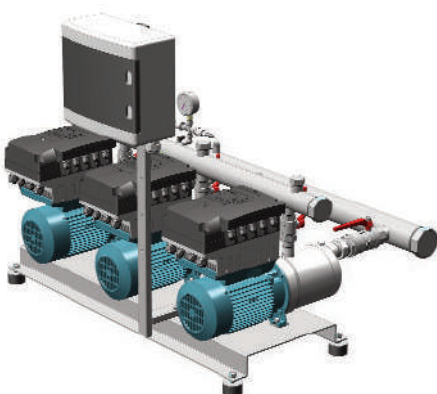


2NM

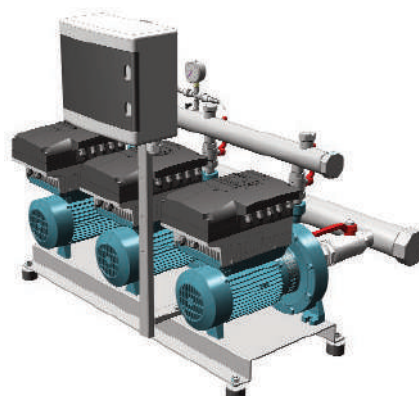


2MXV

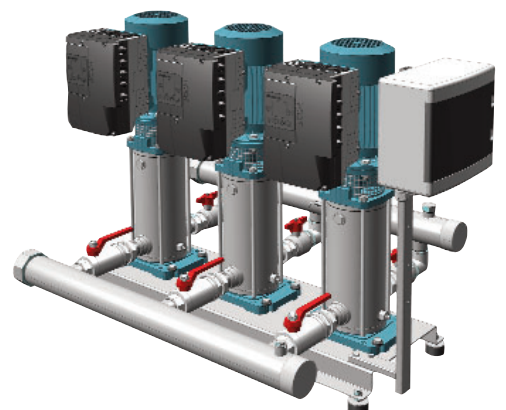
### Three pumps installation scheme



3MXH



3NM



3MXV

# BS

**Fixed speed pump units**

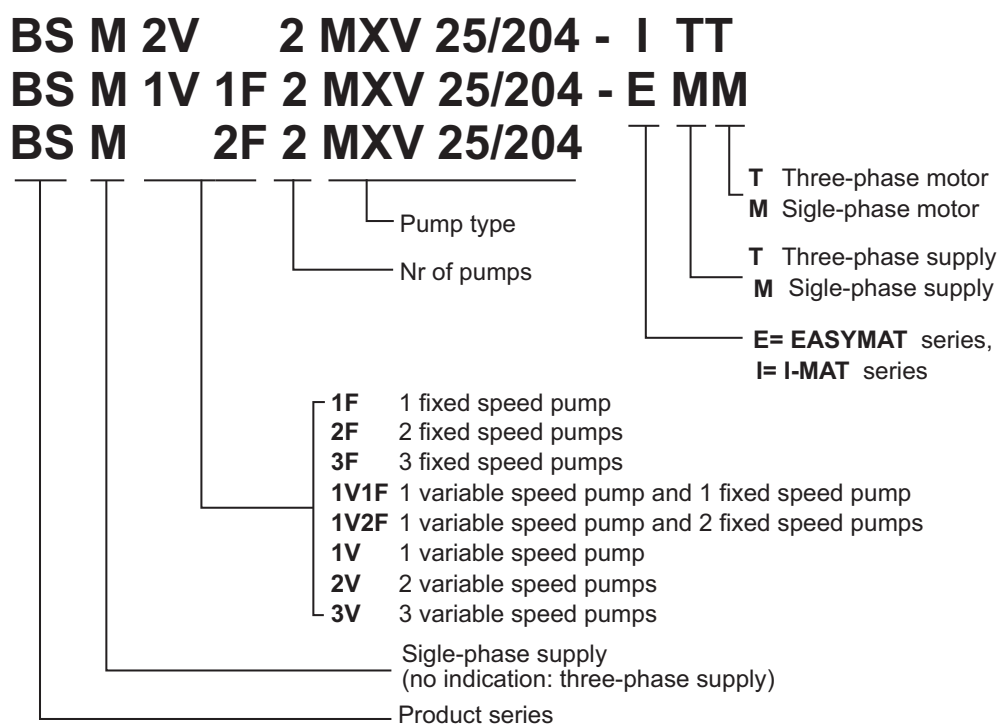
**Variable speed pump units with frequency converter**



	<p>Pressure boosting sets with <b>NM, NMD</b> pag. 518</p> <p><b>BS .F</b> fixed speed 1/3 pumps</p> <p><b>BS1V.F, BS.V</b> variable speed with <b>(frequency converter into the control panel)</b> 1/3 pumps</p> <p>variable speed with <b>I-MAT</b> 2/3 pumps</p>
	<p>Pressure boosting sets with <b>MXH</b> pag. 539</p> <p><b>BS .F</b> fixed speed 1/3 pumps</p> <p><b>BS1V.F, BS.V</b> variable speed with <b>(frequency converter into the control panel)</b> 1/3 pumps</p> <p>variable speed with <b>EASYMAT</b> 1/3 pumps</p> <p>variable speed with <b>I-MAT</b> 2/3 pumps</p>
	<p>Pressure boosting sets with <b>MGP, MXP</b> pag. 550</p> <p><b>BS .F</b> fixed speed 2 pumps</p> <p><b>BS1V.F, BS.V</b> variable speed with <b>(frequency converter into the control panel)</b> 2 pumps</p> <p>variable speed with <b>EASYMAT</b> 1/3 pumps</p>
	<p>Pressure boosting sets with <b>MPSU</b> pag. 559</p> <p><b>BS .F</b> fixed speed 1/3 pumps</p> <p><b>BS1V.F, BS.V</b> variable speed with <b>(frequency converter into the control panel)</b> 1/3 pumps</p> <p>variable speed with <b>EASYMAT</b> 1/3 pumps</p>
	<p>Pressure boosting sets with <b>MXVB</b> pag. 566</p> <p><b>BS .F</b> fixed speed 1/3 pumps</p> <p><b>BS1V.F, BS.V</b> variable speed with <b>(frequency converter into the control panel)</b> 1/3 pumps</p> <p>variable speed with <b>EASYMAT</b> 1/3 pumps</p> <p>variable speed with <b>I-MAT</b> 2/3 pumps</p>
	<p>Pressure boosting sets with <b>MXV</b> pag. 575</p> <p><b>BS .F</b> fixed speed 1/3 pumps</p> <p><b>BS1V.F, BS.V</b> variable speed with <b>(frequency converter into the control panel)</b> 1/3 pumps</p> <p>variable speed with <b>I-MAT</b> 2/3 pumps</p>
	<p>Pressure boosting sets with <b>NG, NGL, NGX</b> pag. 589</p> <p><b>BS .F</b> fixed speed 2 pumps</p>
	<p>Pressure boosting sets with <b>4SDP</b> pag. 593</p> <p><b>BS .V</b> variable speed with <b>EASYMAT</b> 1 pump</p>

**TO SELECT A PRESSURE BOOSTING SET** page 625

## Designation

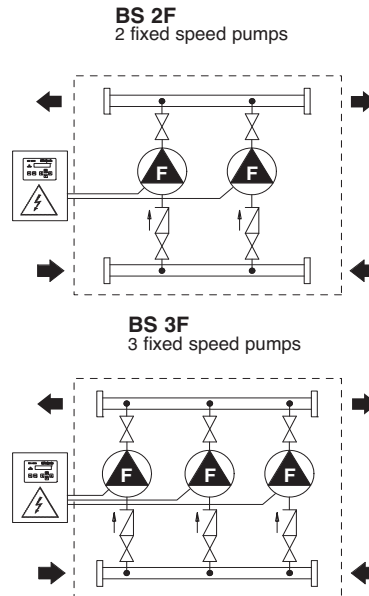


To select a Pressure Boosting Set see technical appendix at page 616.  
**For booster sets with 4, 5 and 6 pumps contact our Technical Sales Department.**

## BSF with 2 and 3 fixed speed pumps

### Construction

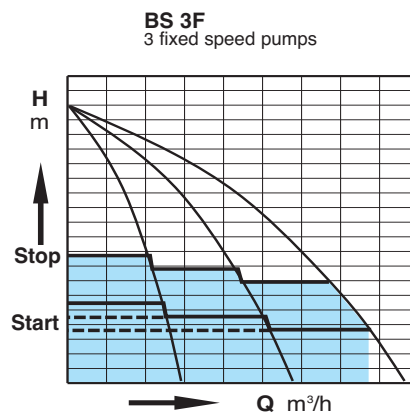
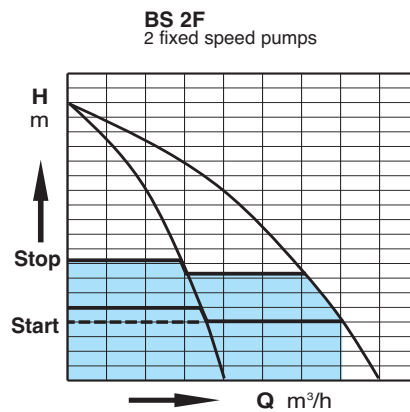
Pressure boosting sets with automatic operation, consisting in 2 and 3 pumps on a common baseplate, with suction and delivery manifolds, gate and non-return valves, pressure switches, pressure gauge, control panel and from 100 to 1000 litres diaphragm tank (on request).



### Operation

The control panel, with electronic card, manages the pump operation, the changeover of pump starting sequence and it stops the system when there is no air in the tank (patented system).

Pumps starting in a cascade sequence, with a signal from the pressure switches.



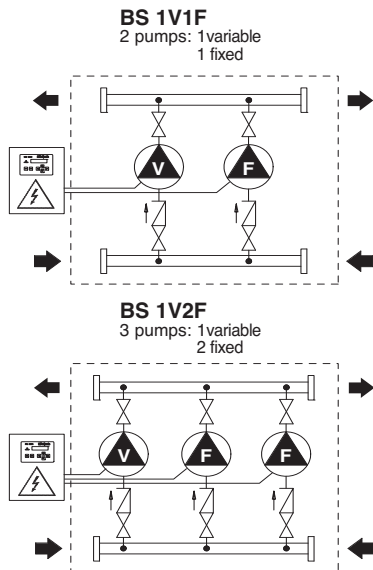


## BSV.F.

1 variable speed pump (with frequency converter)  
1 to 5 fixed speed pumps

### Construction

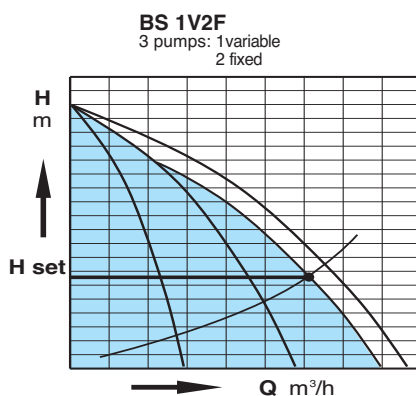
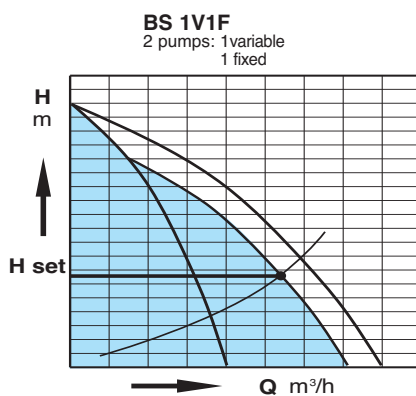
Pressure boosting sets with automatic operation, consisting of 1 variable speed pump with frequency converter and from 1 to 5 fixed speed pumps, assembled on a common baseplate, with suction and delivery manifolds, gate and non-return valves, pressure gauge, control panel and 20 litres diaphragm tank (on request).



### Operation

The control panel, with electronic card, manages the pump operation, the changeover of fixed speed pumps starting sequence. Pumps starting is in a cascade sequence, with a signal from the pressure transducer.

Constant pressure is guaranteed by the variable speed pumps, while fixed speed pumps start when the request is higher than the capacity of the variable speed pump.

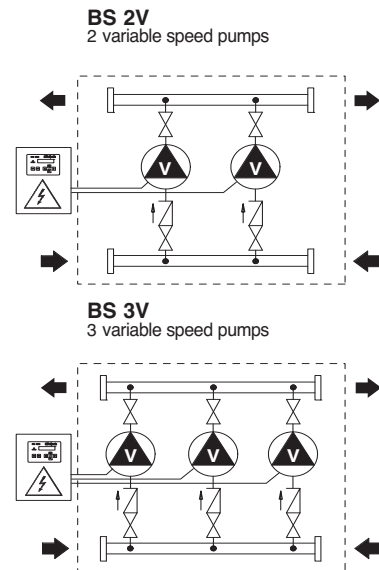


## BSV

2-6 variable speed pumps (with frequency converter)

### Construction

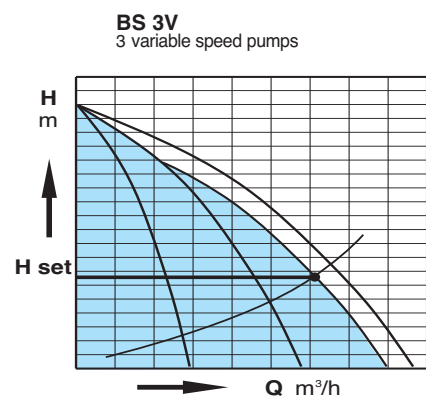
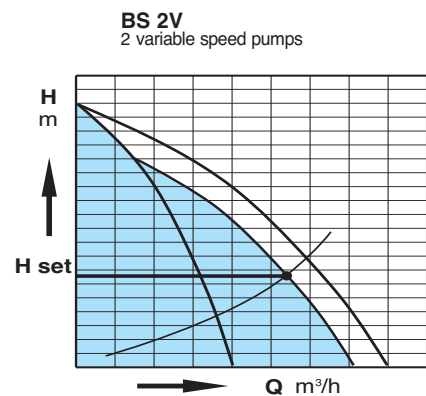
Pressure boosting sets with automatic operation, consisting of variable speed pumps (from 1 to 6) with frequency converter, assembled on a common baseplate, with suction and delivery manifolds, gate and non-return valves, pressure transducer, pressure gauge, control panel and 20 litres diaphragm tank (on request).



### Operation

The control panel, with electronic card, manages the pump operation, the changeover of pumps starting sequence.

Pumps starting in a cascade sequence, with a signal from the pressure transducer.



## Fixed speed pump units

### New electrical control panels for fixed speed pump units.

New electrical control panels for pressurisation units, all with electronic card with microprocessors, for managing pump operation.

**The microprocessor** carries out continuous secure checks during all the various work phases of the pumps and incorporates all necessary functions, thus reducing electrical and electronic components inside the panel.

#### In particular:

- pumps starting in a cascade sequence according to water demand.
- changeover of pump starting sequence.
- delay start-up of the 2nd/3rd pump in case of breakdown of pressure switch 1 or after a power cut.
- avoid pump starting in case of water hammering.
- activate the alarm when pressure 1 fails.
- activate the alarm when air cushion in the vessel drops.
- stop the pump when air cushion is over.

#### Maximum clarity for all signals

The status of the unit can easily be identified on the front of the electronic card with the following signals:

- Power on.
- No water.
- Failure.
- Pump running.
- Thermal block.
- Pump automatic operation.
- Pump stop.

#### Maximum simplicity of control

The front of electronic card features the following signals and controls:

- AUT-STOP push-button (1 for each pump)
- MAN push-button (1 for each pump)
- RESET push-button.

#### Optional remote control

The RA 100 panel enables a remote warning light and acoustic signal.

#### Control panel for units up to 6 pumps

Using the MPS 6000 (Multi Pumps System) electronic card it is possible to control pressure units up to a maximum of 6 fixed speed pumps with a single pressure calibration.

#### Automatic air supply systems

The pump control panels are completed by microprocessor controlled systems for automatic air supply in the pressure vessels by means of a compressor or solenoid valve.

#### Operation

For booster sets made up to three pumps: according to the pressure decrease in the system, the pressure switches (pressure transducer for 3-pump sets) make the pumps to start in cascade mode and the starting changeover is made by the microprocessor.

For sets made of 4, 5, 6 pumps: Operation controlled by a microprocessor with signal from a pressure transducer. The pumps operate with only one pressure setting.



# Pressure Boosting Sets



## Variable speed pump units with frequency converter

### New electrical control panels for variable speed pump units.

New electrical control panels for pressurisation units with variable speed pumps.

These are indispensable in all those cases where constant pressure is required and when high pressure pumps are being controlled. All the various working phases are managed and controlled by the MPS 4000 (Multi Pumps System) electronic card with microprocessor, which can operate up to 6 pumps working simultaneously.

### Maximum clarity of signals

All the various calibration parameters appear as messages on the display of the MPS 4000 electronic card.

If there are any faults or defects a message appears on the display giving details of the problem.

### Possibility of remote control

The pump status can be displayed and the unit can be controlled by means of a special computer program.

It is possible to obtain a remote warning light and acoustic signal on the RA 100 panel.

### Constant or increased pressure

All the pumps can work with the same pressure value (set point), or, for systems with high head losses, the pressure can be increased depending on the number of pumps operating.

### Silent operation

Motors working at reduced speed and check valves that close gradually mean that operation is particularly quiet.

### Long life for pumps

All the mechanical components of the pumps and motors are stressed to a minimum, due to the variable speed operation.

### Energy savings

The motors consume only the precise level of power necessary moment to moment, in order to supply the quantity of water required by the system.

### No more high capacity vessels

The use of inverters means that high capacity pressure vessels and membrane vessels are no longer necessary. Even units with high flowrate pumps only require a small number of 20 litre membrane vessels.

### Great versatility

The great versatility of the MPS 4000 electronic card enables the construction of special units with operational logics different from those of normal pressurisation units, depending on the requirements and characteristics of the systems.

### Operation

Depending on water consumption, one or more pumps are activated, all at variable speed, in order to guarantee the quantity of water required at the set pressure.



# Pressure Boosting Sets



## Variable speed pump units with EASYMAT

### EASYMAT for variable speed pump units.

Variable speed system driven by frequency converter, for the pressure control in domestic and residential plants. The system maintains constant pressure whilst controlling the pump operation against changing system demand.

### Maximum clarity of signals

Easymat is equipped with a control panel for simple system programming and parameter monitoring.

The **2 scroll buttons** are used to scroll the different operating parameters that EASYMAT can show.

At the same time you can use the 2 scroll buttons to move in the set up menu and to change the different options.

The LCD custom display gives an easy overview of the system situation and of the operating parameters.

The icons on the top and below the display area explain in which way EASYMAT is working and if there are problems on the system.

The four set-up buttons allow the operator to move between and set-up the menu's and to start and stop the pump. The symbols help to make the function of each button clear.

With **these 4 buttons and the 2 scroll buttons** you can manage all the set-up and operating parameters without the use of an other control panel or computer



### Operation

Depending on water consumption, one or more pumps are activated, all at variable speed, in order to guarantee the quantity of water required at the set pressure.



#### CONSTANT PRESSURE MODE:

The system keeps the pressure constant when the quantity of water requested by the user changes. The user can choose the operating pressure according his needs.



#### FIXED SPEED MODE:

The system works at a fixed speed that user can choose according his needs.

The system is connected to the delivery pipe providing for simple installation and better cooling (patented) making the unit more compact and easy to assemble.

Easymat is supplied with one pressure transducer, G 1/4 connection and 1.5 m cable length.

### For protection of the pumps:

- Against dry running
- Against operations with closed connection ports
- Against overcurrent of the motor
- Against overvoltage and undervoltage of the power supply

### Silent operation

Motors working at reduced speed and check valves that close gradually mean that operation is particularly quite.

### Long life for pumps

All the mechanical components of the pumps and motors are stressed to a minimum, due to the variable speed operation.

### Energy savings

The motors consume only the precise level of power necessary moment to moment, in order to supply the quantity of water required by the system.

### No more high capacity vessels

The use of inverters means that high capacity pressure vessels and membrane vessels are no longer necessary. Even units with high flowrate pumps only require a small number of 20 litre membrane vessels.

# Pressure Boosting Sets



## Variable speed pump units with I-MAT

### I-MAT for variable speed pump units.

Variable speed system driven by frequency converter, for the pressure control in domestic and residential plants.

The system maintains constant pressure whilst the controlling the pump operation against changing system demand.

### Maximum clarity of signals

I-MAT is equipped with a control panel that allows to carry out the set-up of the system and to monitor all system parameters. The control panel is inside a IP55 enclosure which is possible to rotate and install in remote positions.

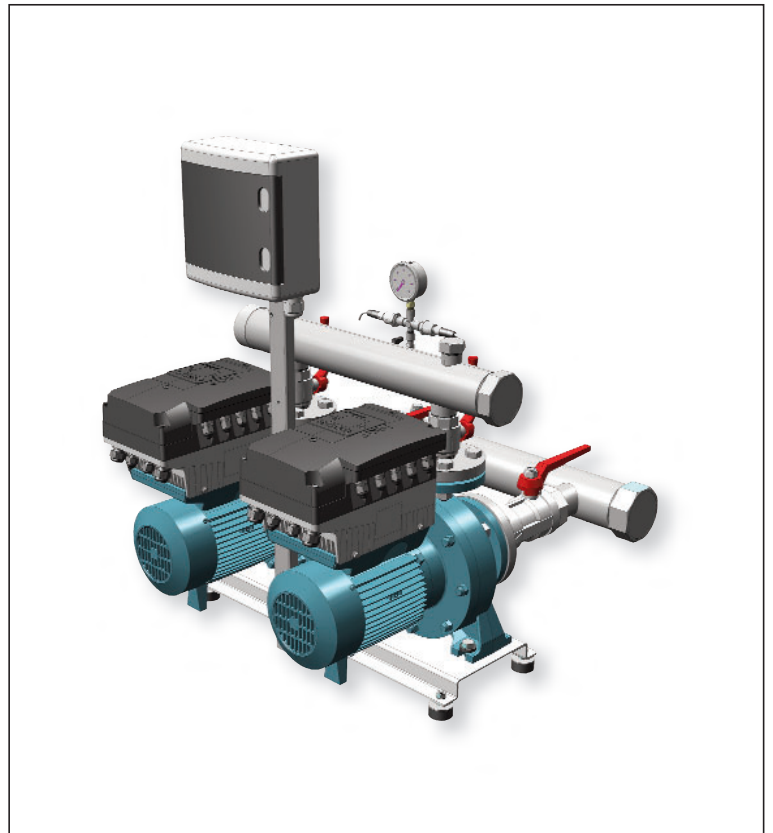
It is possible use the control panel in remote positions by means a cable with M12 connectors (standard cable).

The LCD custom display gives an easy overview of the system situation and of the operating parameters.

The icons on the top and below the display area explain in which way I-MAT is working and if there are some problems on the system.

The 2 scroll buttons are used to scroll the different operating parameters that I-MAT can show. At the same time you can use the 2 scroll buttons to move in the set up menu and to change the different options.

The 4 set-up buttons are created to enter and to move on the set-up menus and to start and to stop the pump. The symbols help to understand the function of each button. With these 4 buttons and the 2 scroll buttons you can manage all the set-up and operating parameters without the use of another control panel or computers.



### Operation

Depending on water consumption, one or more pumps are activated, all at variable speed, in order to guarantee the quantity of water required at the set pressure.



#### Constant pressure mode

Constant pressure keeps the pressure constant at a fixed value set by the user. This value of pressure is automatically kept by the system to provide to the final user a constant pressure even with different water demand, within the maximum performance of the motor-pump system.



#### Proportional pressure modes

Proportional pressure reduces the pressure of the pump (and as a consequence, the operating frequency) proportionally with the water demand of the system.



#### Constant temperature mode

In this operating mode the system is used to keep the temperature at a constant value in a specified system point.



#### Constant flow mode

Constant flow mode grants that system change the speed of the pump in order to keep constant the flow which pass inside a flow meter.



#### Fixed speed mode

In this operating mode the system work as a fixed speed pump. The speed of the pump could be set by the user between a range of speeds, or controlled by an external signal.



#### Night mode

The night mode is an optional mode which allows to reduce the speed of the pump if the temperature in the system decreases below a set value, this operating mode can be used with all operating modes over described.

### Silent operation

Motors working at reduced speed and check valves that close gradually mean that operation is particularly quite.

### Long life for pumps

All the mechanical components of the pumps and motors are stressed to a minimum, due to the variable speed operation.

### Energy savings

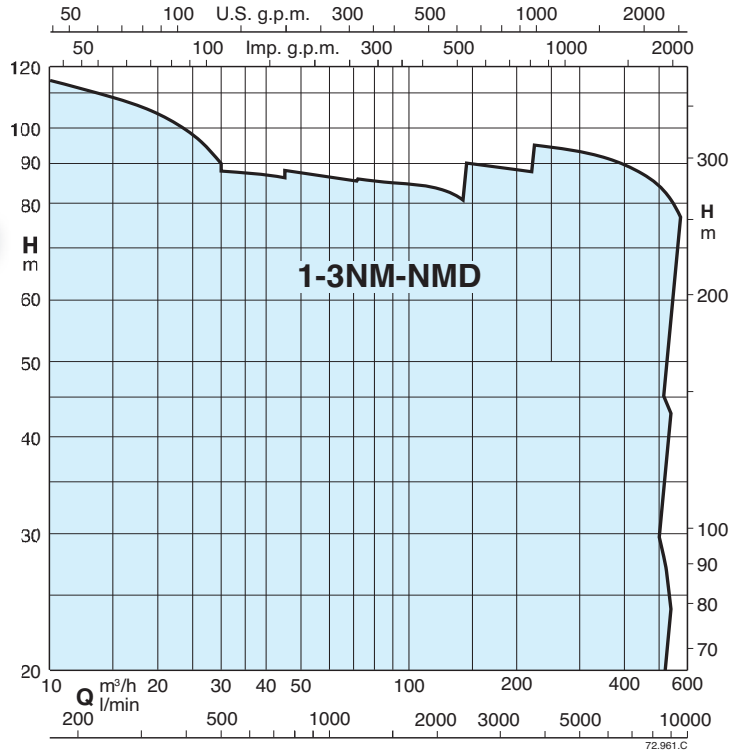
The motors consume only the precise level of power necessary moment to moment, in order to supply the quantity of water required by the system.

### No more high capacity vessels

The use of inverters means that high capacity pressure vessels and membrane vessels are no longer necessary. Even units with high flowrate pumps only require a small number of 20 litre membrane vessels.



Coverage chart



### Operation

**BS 1-6F Pressure boosting sets with 1 to 6 fixed speed pump. Sets with 4,5 and 6 pumps on request.**  
Depending on the reduction of the pressure in the system, the pressure switches (pressure transducer for 3-pump sets) determine the starting up of the pumps in sequence and the microprocessor alternates the starts.

**BS2-3V Pressure boosting sets with 2 to 3 variable speed pumps (with I-MAT).**  
Depending on water consumption, one or more pumps are activated, all at variable speed, in order to guarantee the quantity of water required at the set pressure.

**BS1V2-5F Pressure boosting sets with 1 variable speed pump (with frequency converter into the control panel) and from 1 to 5 fixed speed pumps. Sets with 4,5 and 6 pumps on request.**  
According to the water consumption, one or more pumps start, one at variable speed and the others at fixed speed, to grant the water quantity required at the set pressure.

**BS1-6V Pressure boosting sets with 1 to 6 variable speed pumps (with frequency converter into the control panel). Sets with 4,5 and 6 pumps on request.**  
Depending on water consumption, one or more pumps are activated, all at variable speed, in order to guarantee the quantity of water required at the set pressure.

### Construction

- Automatic pressure boosting plant consisting of 1 to 6 centrifugal pumps complete with ball, non return valve on the suction side and ball valves on the delivery side.

### Suction and delivery manifolds for boosting sets with 2,3 pumps:

- stainless steel AISI 304 up to 2NM 40.. and 3NM 32...
- steel S235JR from 2NM 50.. and 3NM 40...

Connections are located on the delivery manifold for the installation of vessels G1 connection.

### Electrical control boards:

- with microprocessor for fixed speed pump units. Motor starting is D.O.L. up to 5,5 kW and Y/Δ for power rating 7,5 up to 55 kW.
- with frequency converter for variable speed pump units.

The unit includes one pressure gauge and three adjustable differential pressure switches or pressure transducer.

### Applications

To supply water in civil and industrial buildings. As pressure boosting pump to increase water pressure when needed (follow local rules).

### Motors

2-pole induction motors, 50 Hz, n ≈ 2900 rpm, suitable for operation with frequency converter.

- Three-phase 230/400V ± 10% up to 3 kW;
- 400/690V ± 10% for 4 kW to 55 kW;

Insulation class F.

Protection IP 54.

Constructed in accordance with: IEC 60034.

Other voltages and frequencies on request.

### Vessels on request

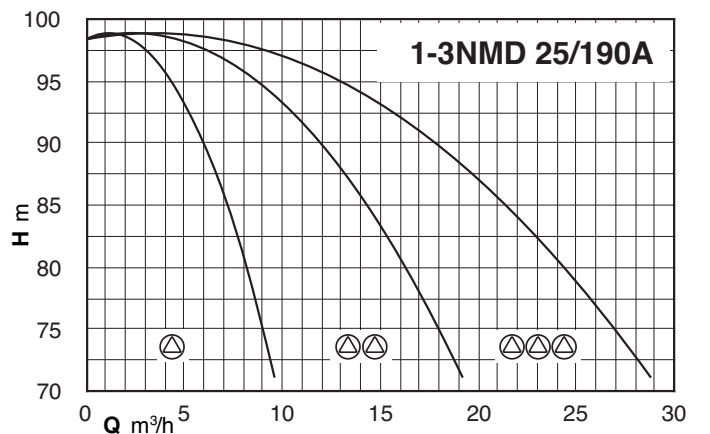
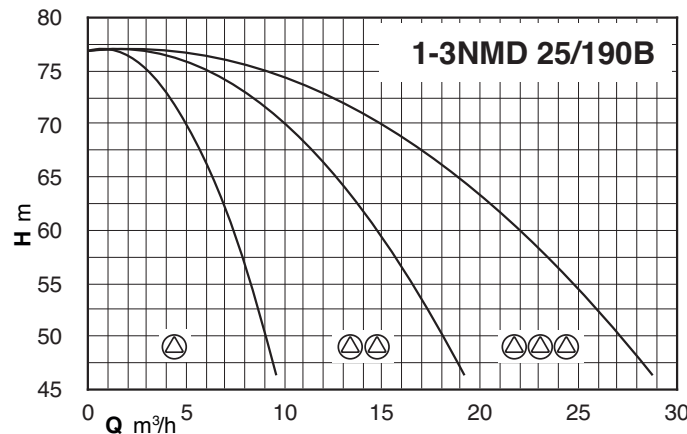
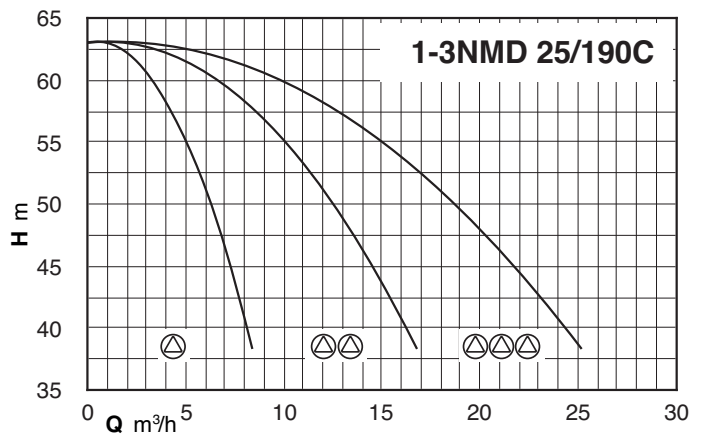
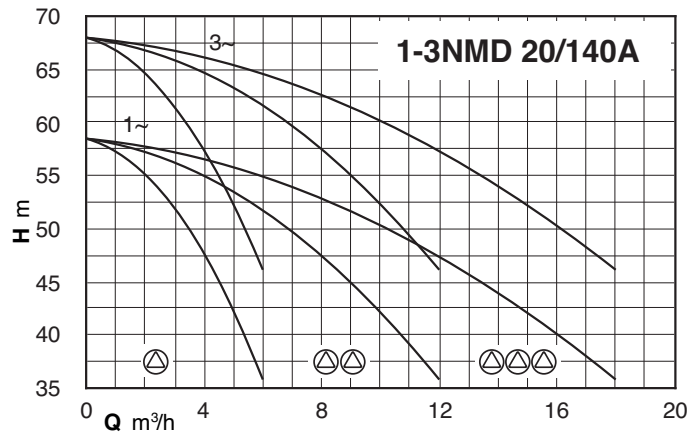
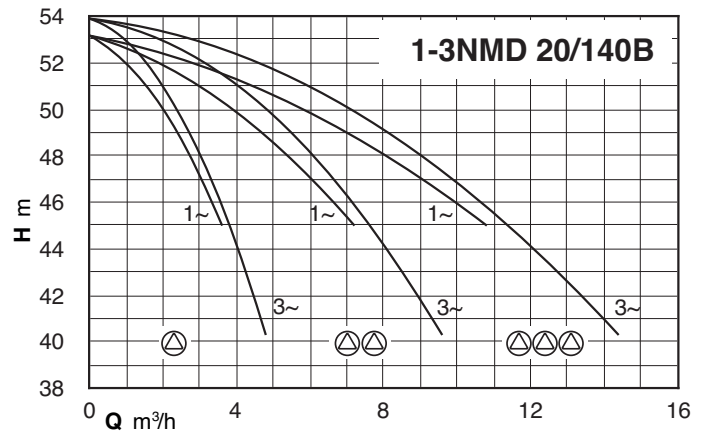
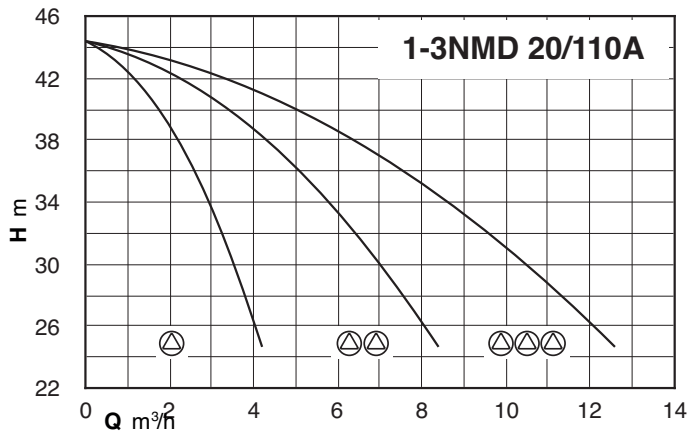
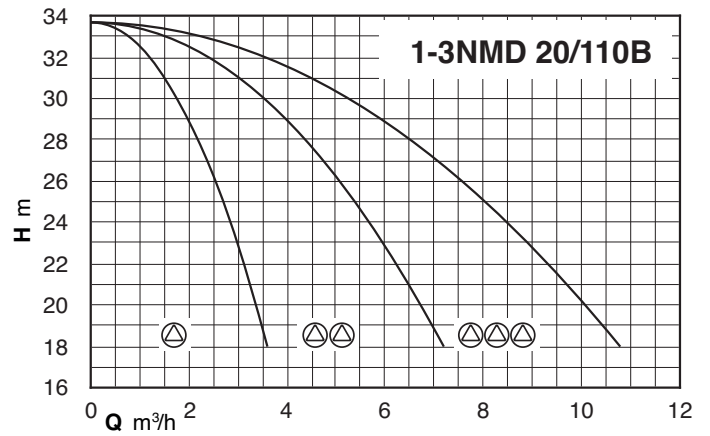
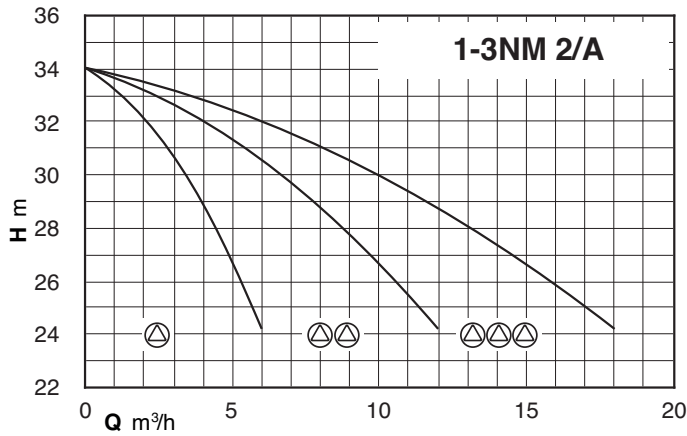
When installing the unit, connect in the delivery section to a diaphragm or galvanised tank.

The recommended sized are shown in the following page.

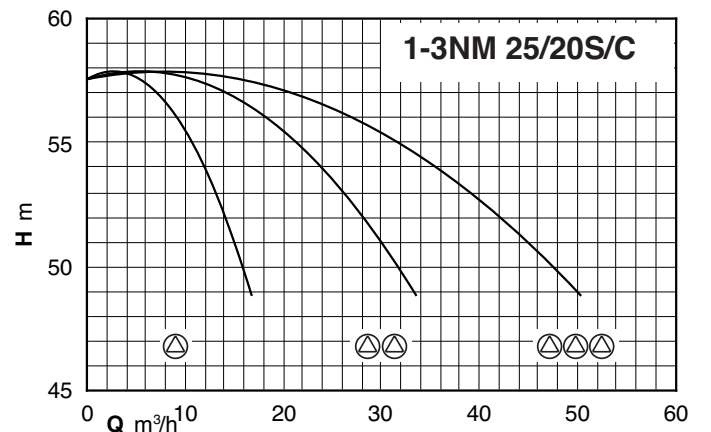
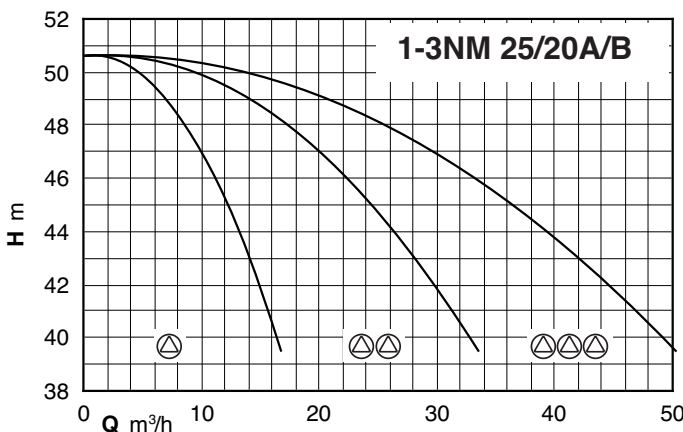
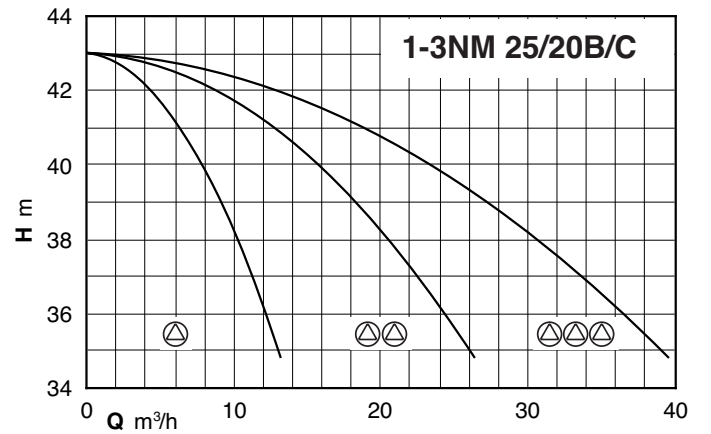
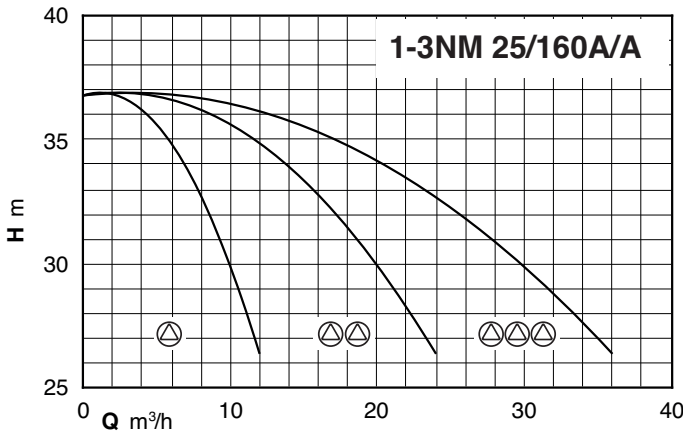
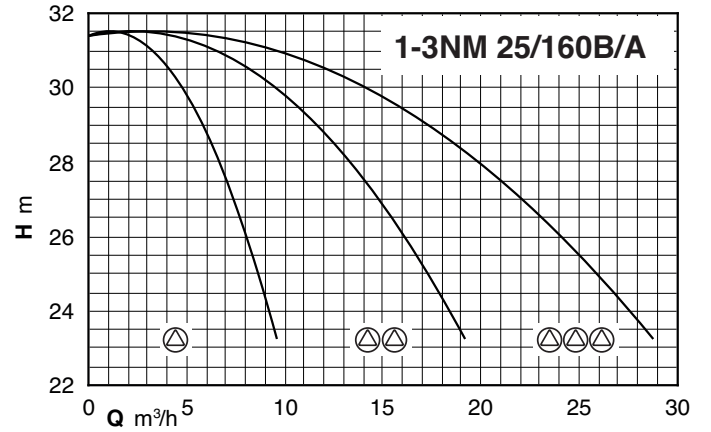
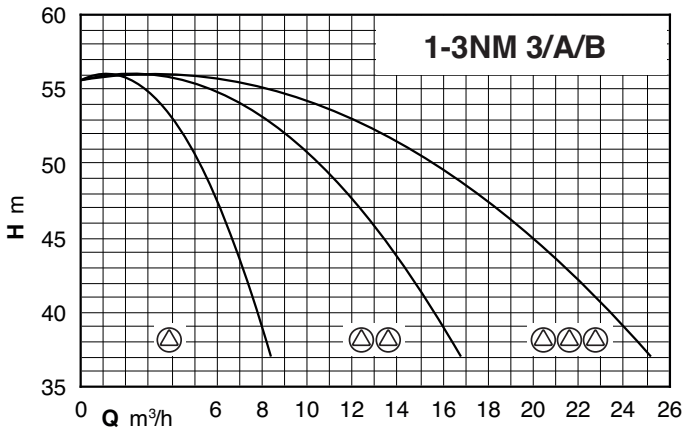
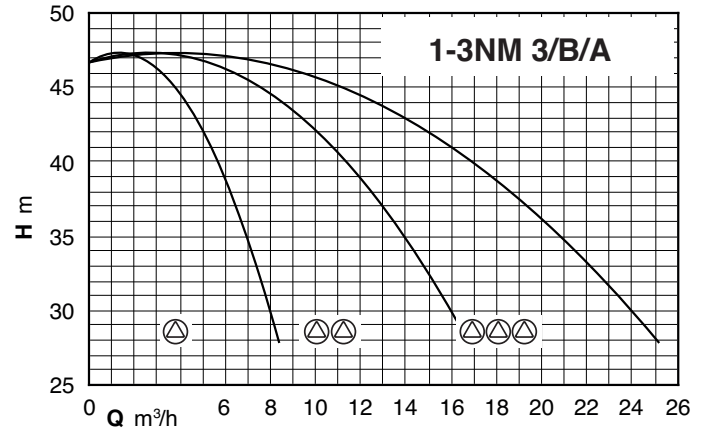
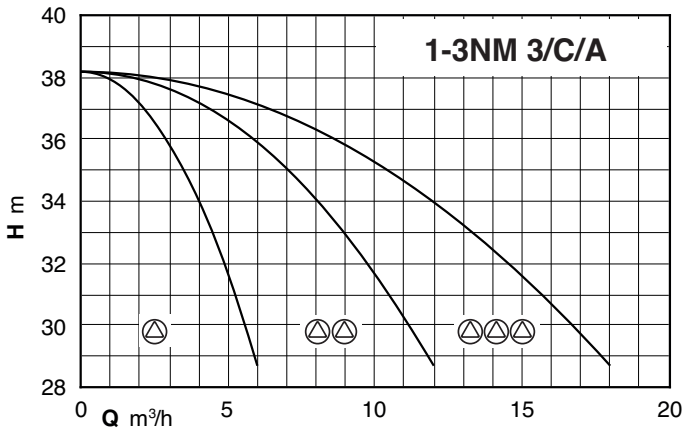
### Special features on request

Pressure boosting sets with 4,5 and 6 pumps.

## Coverage chart

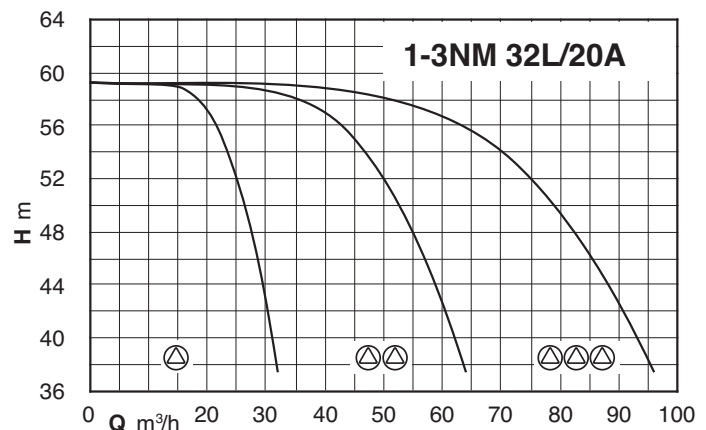
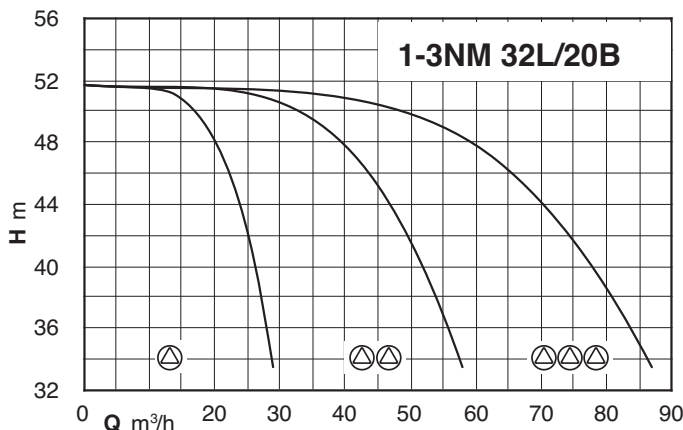
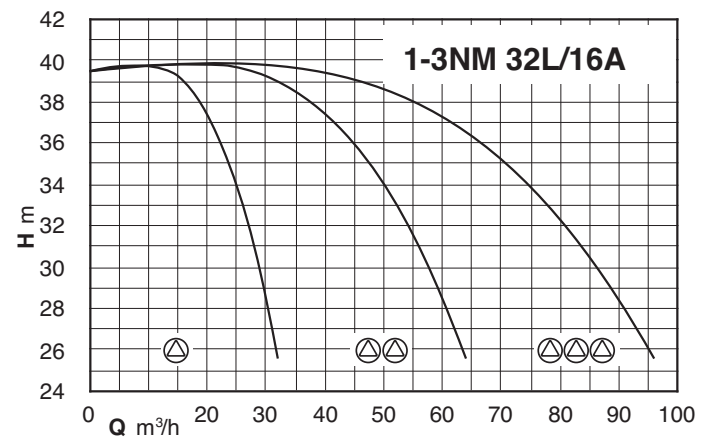
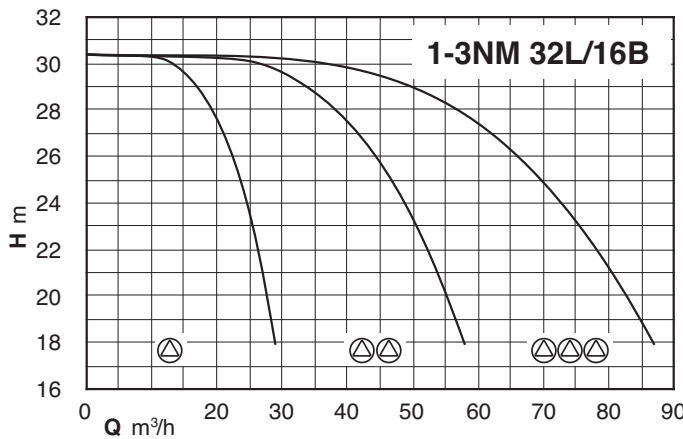
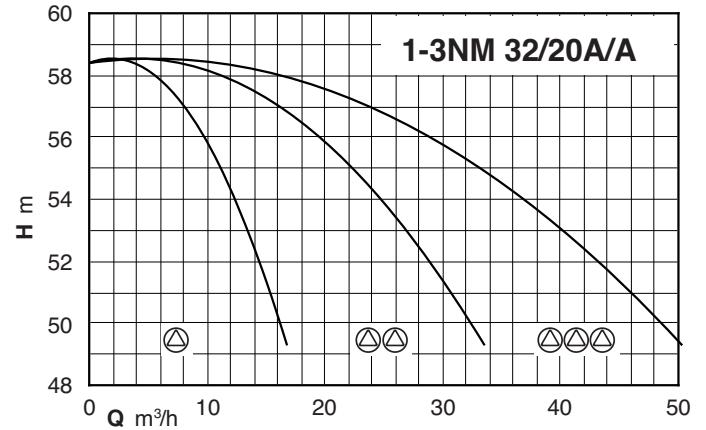
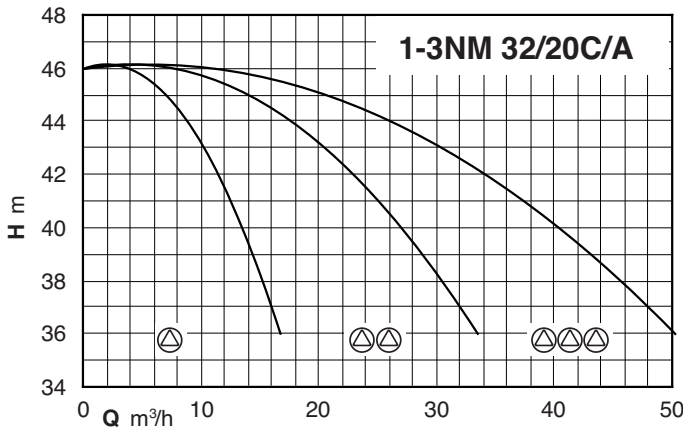
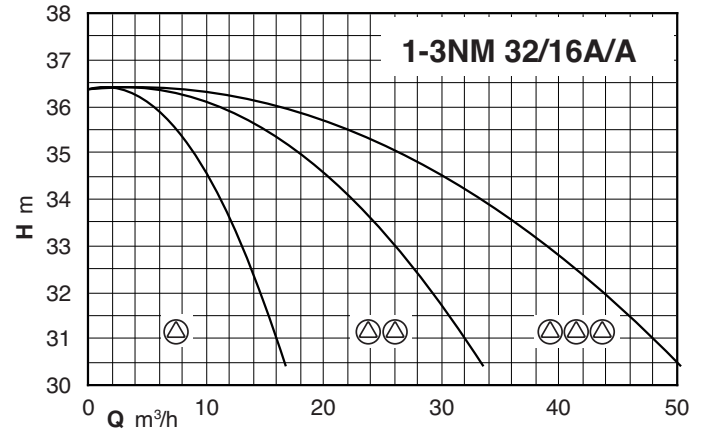
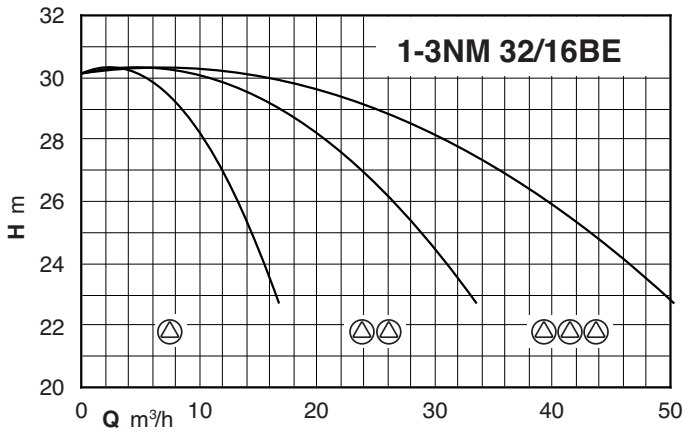


## Coverage chart

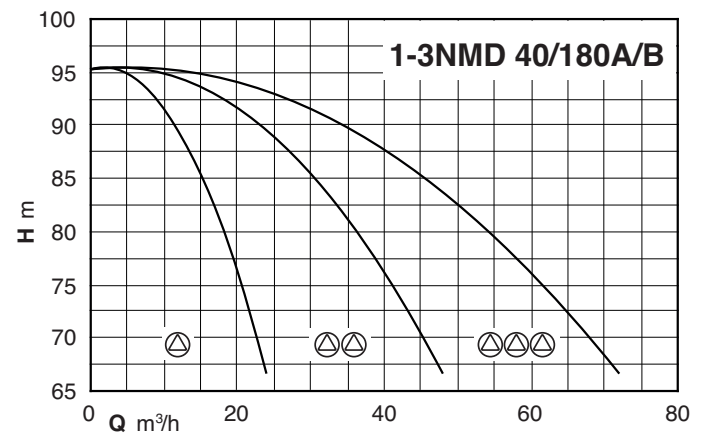
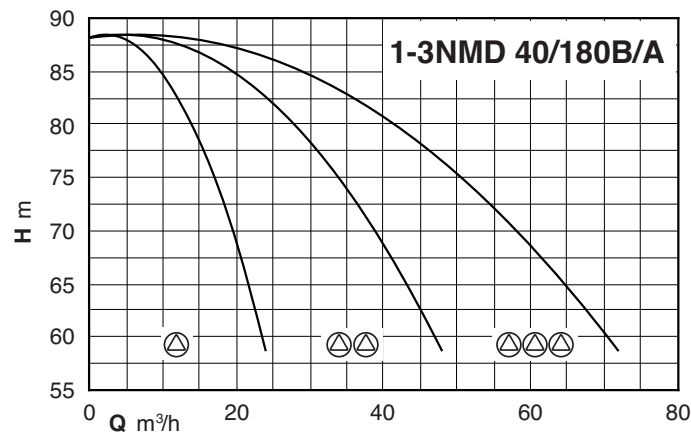
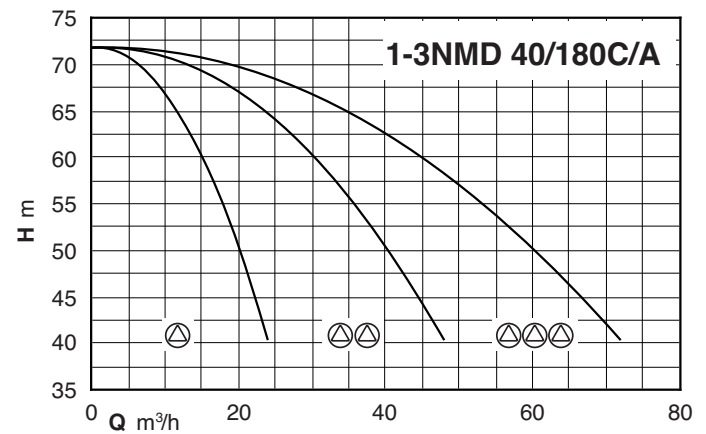
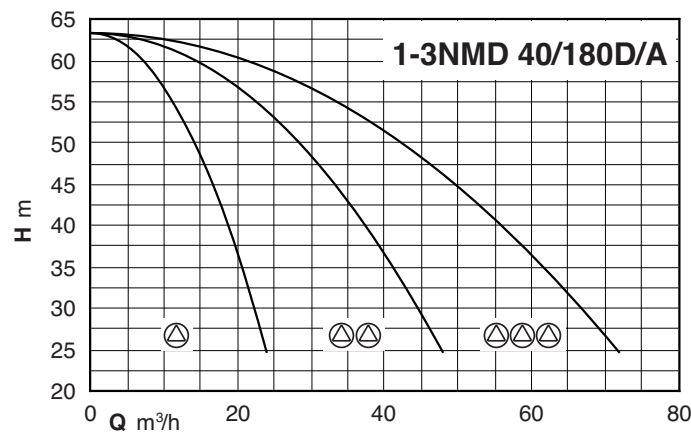
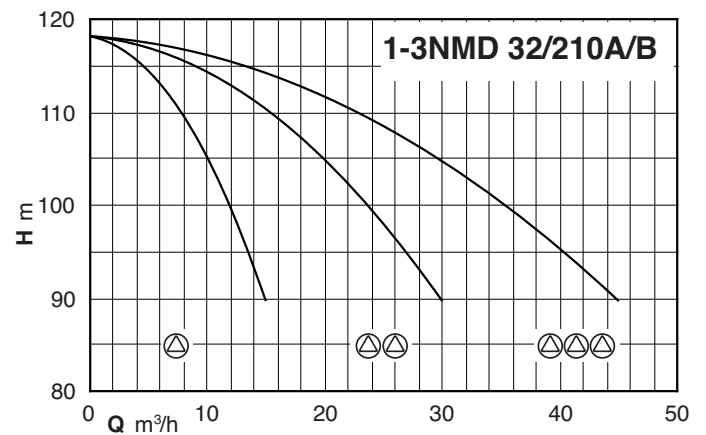
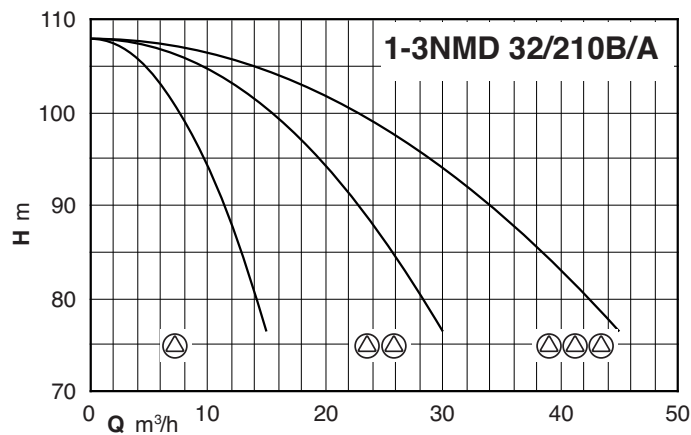
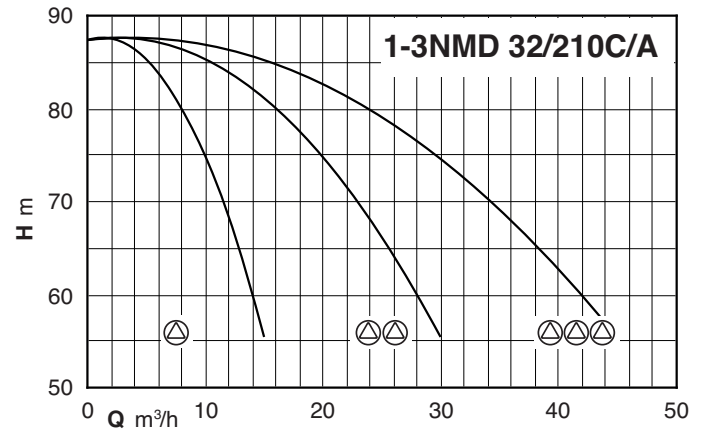
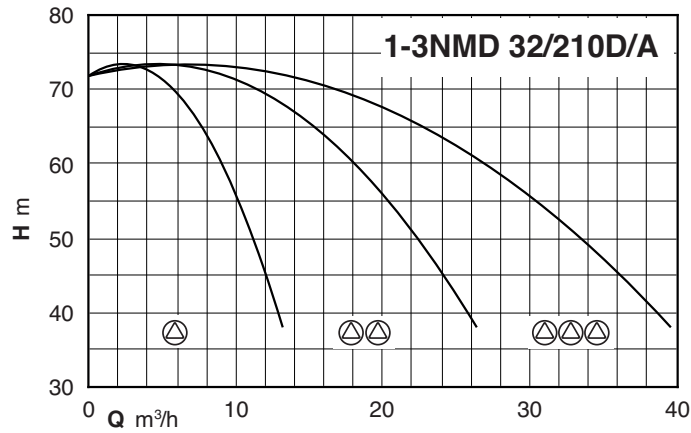




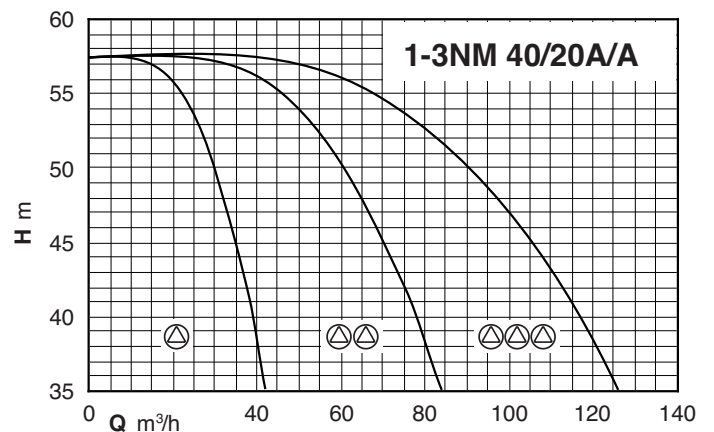
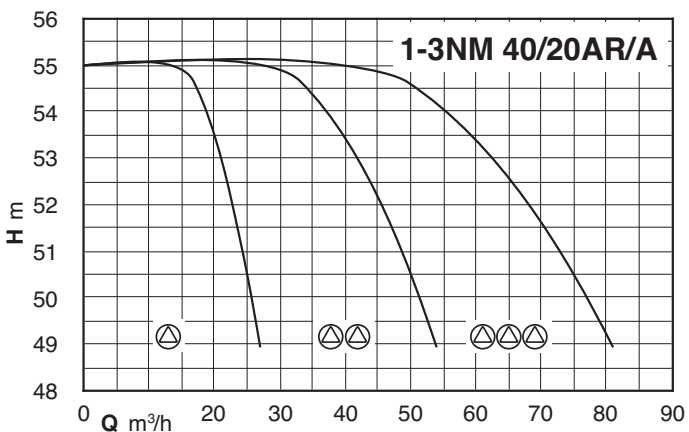
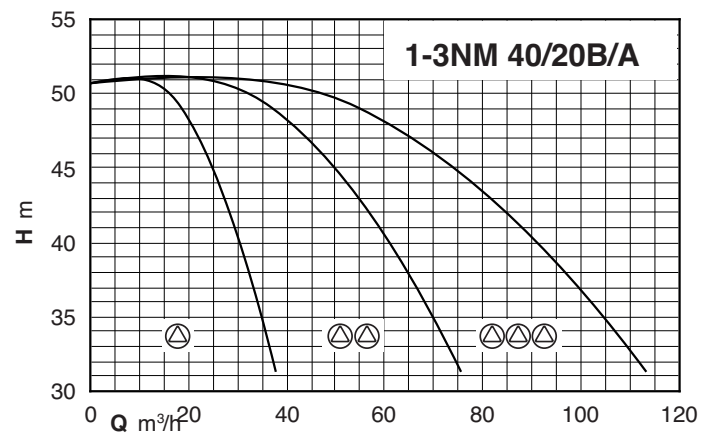
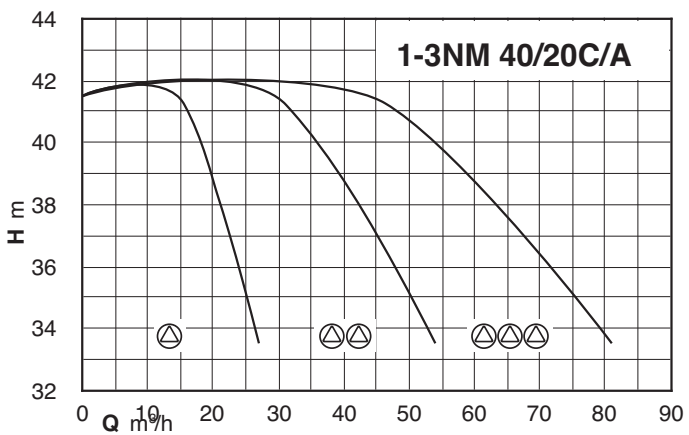
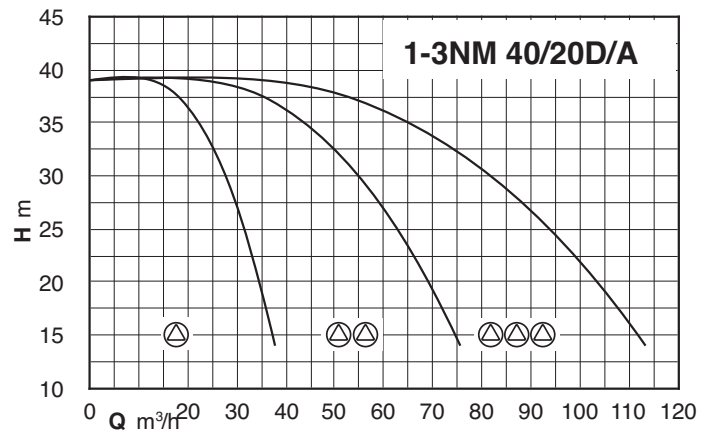
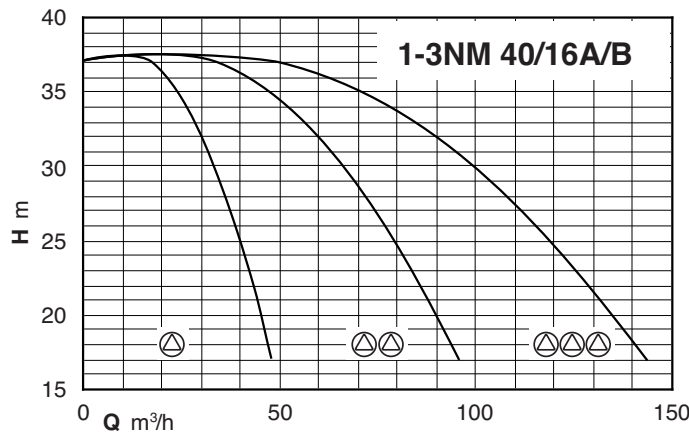
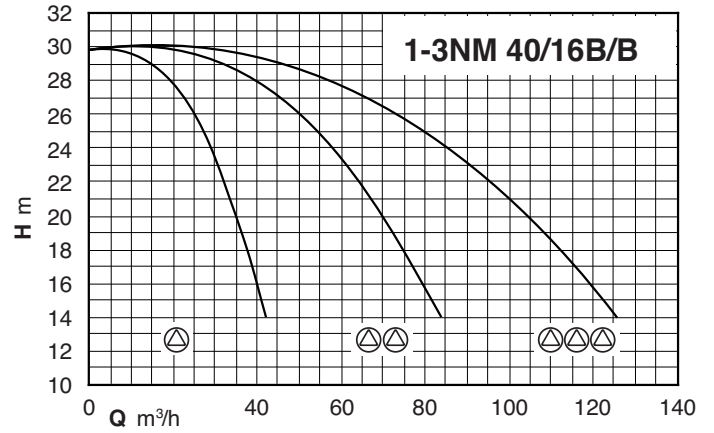
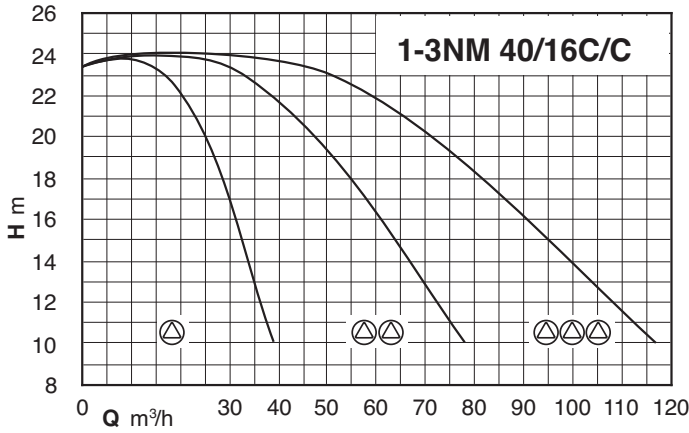
## Coverage chart



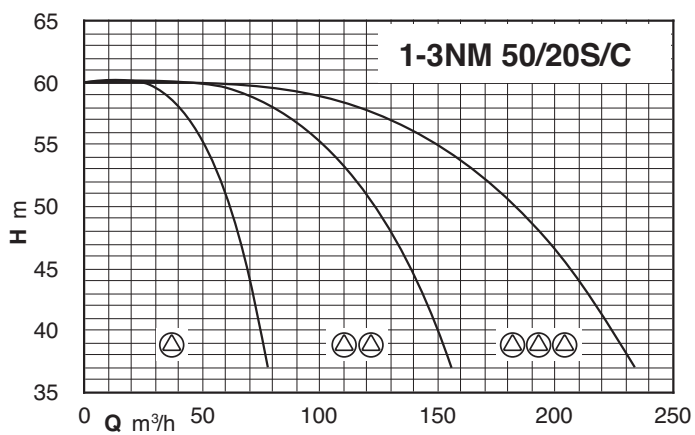
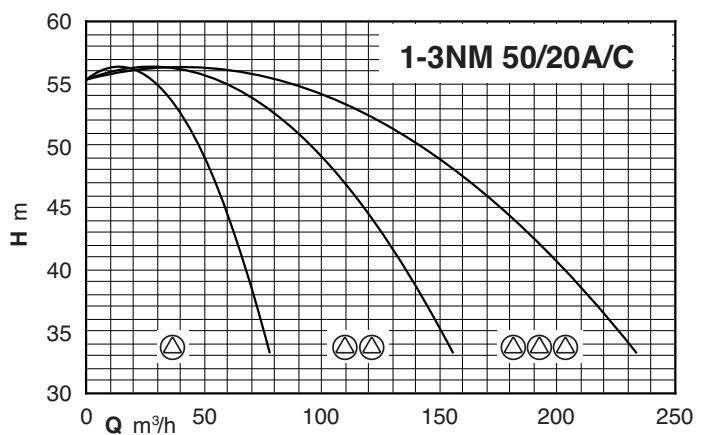
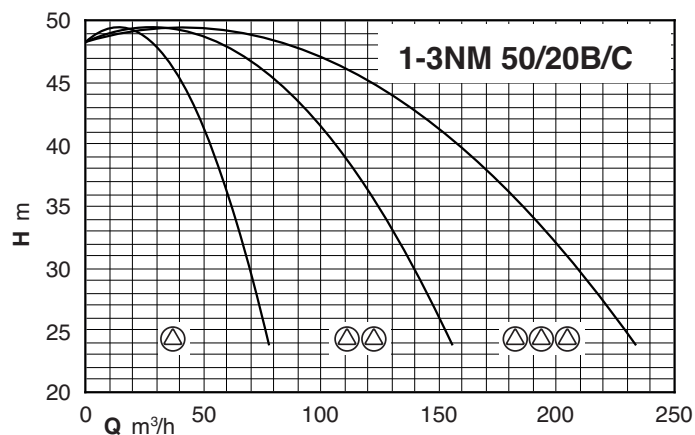
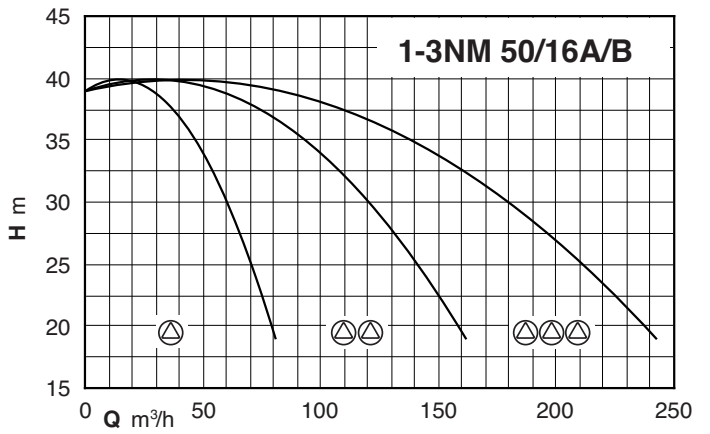
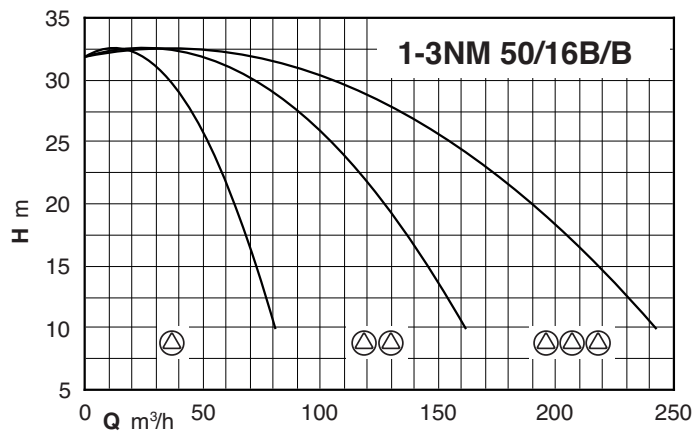
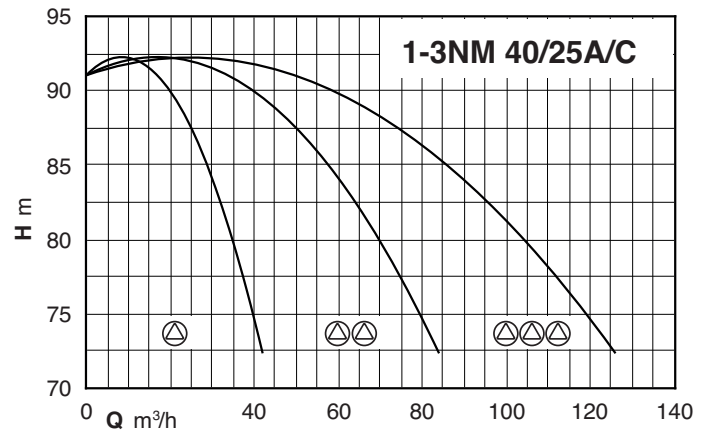
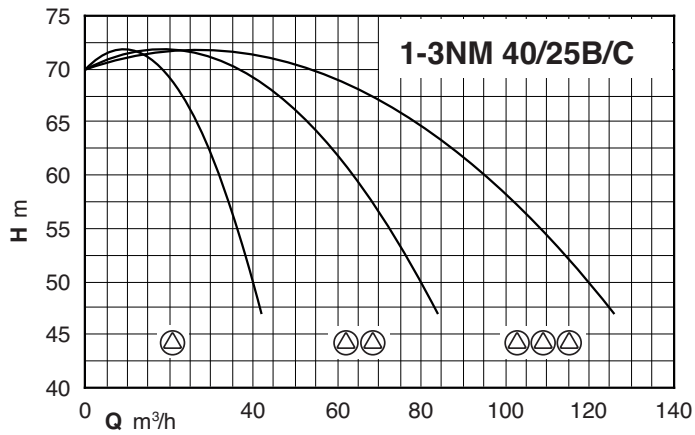
## Coverage chart



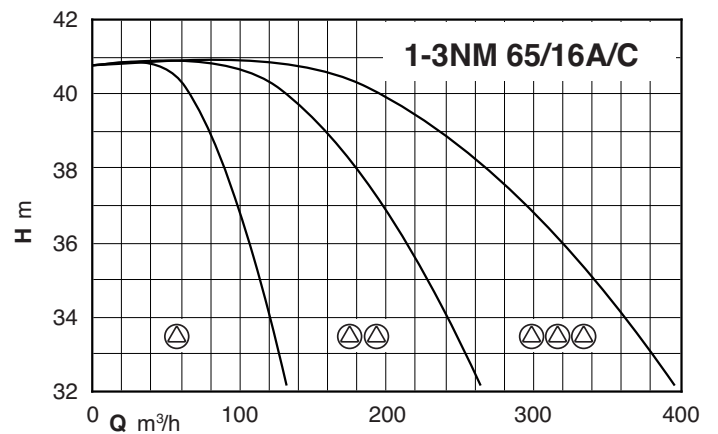
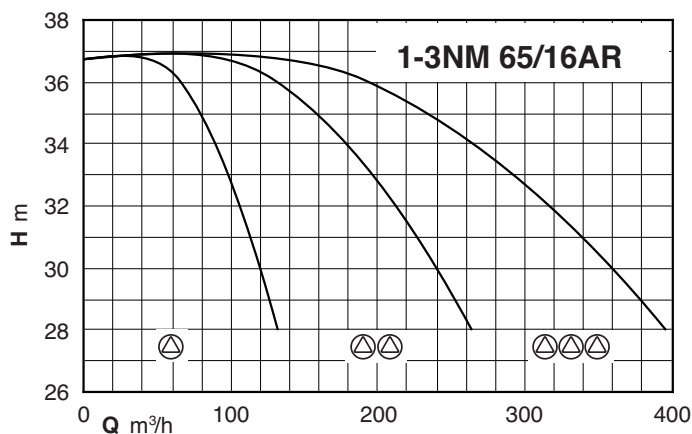
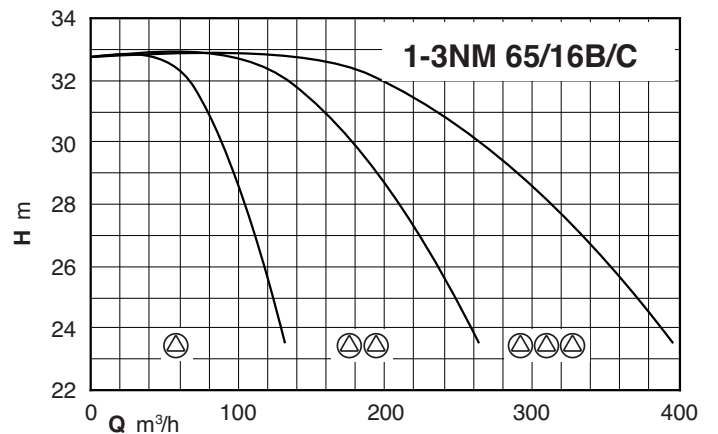
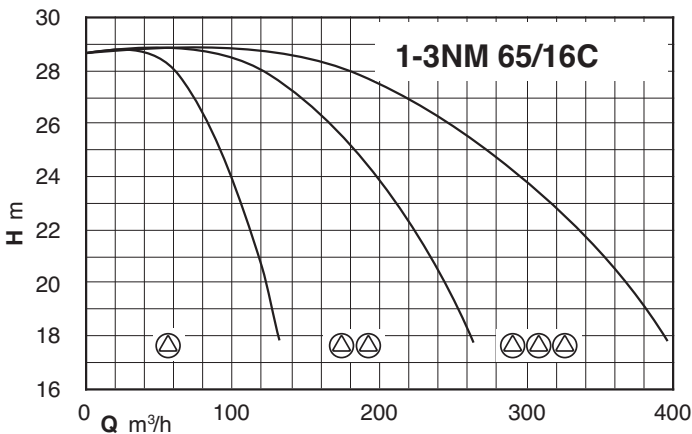
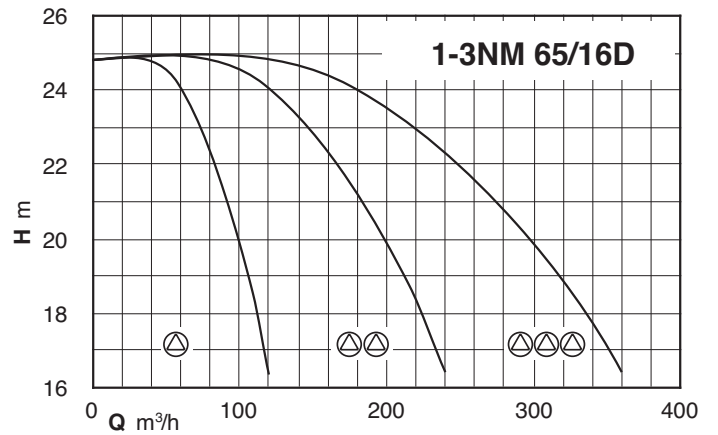
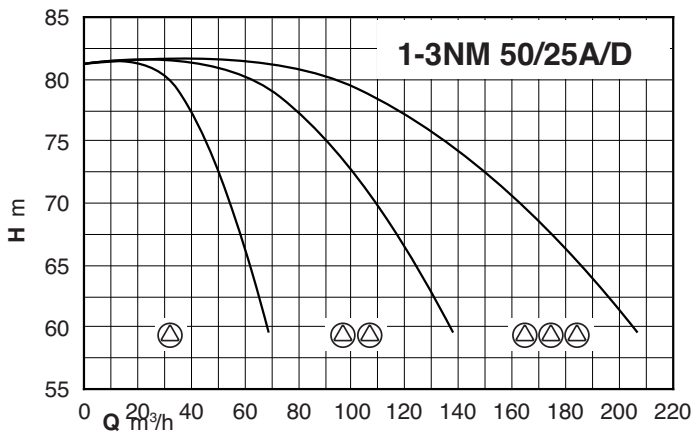
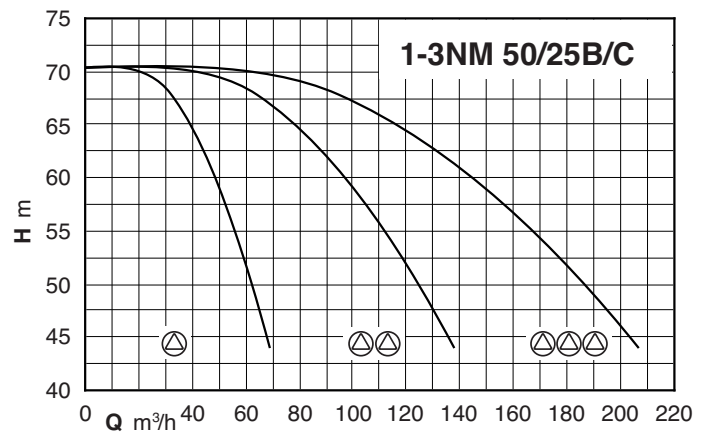
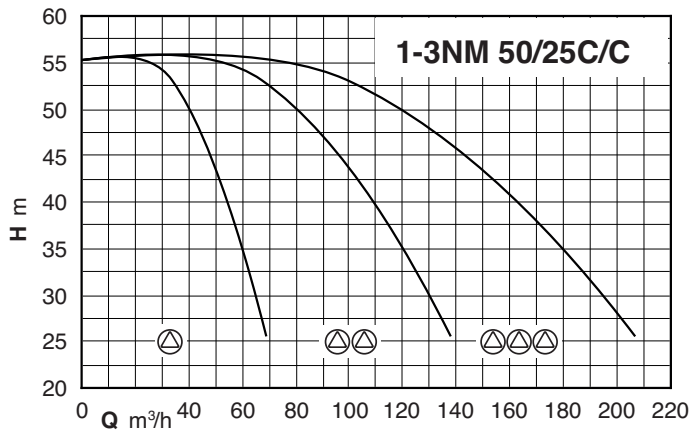
## Coverage chart



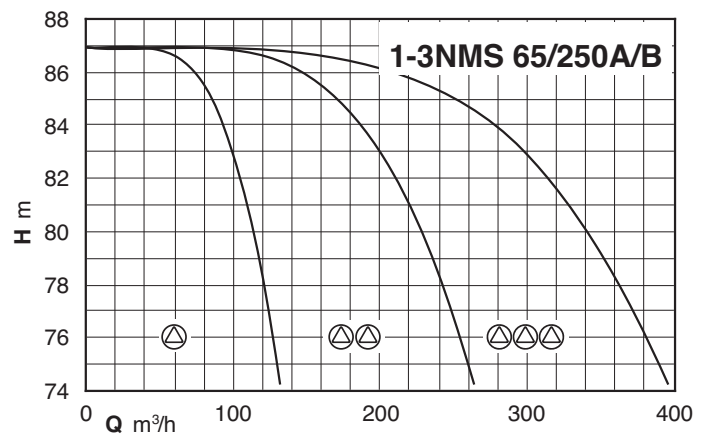
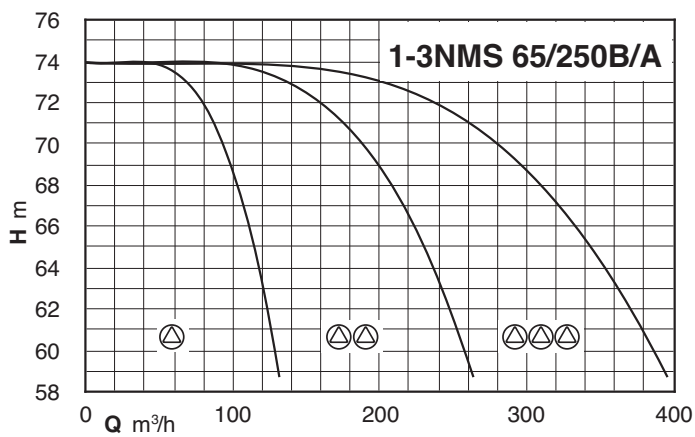
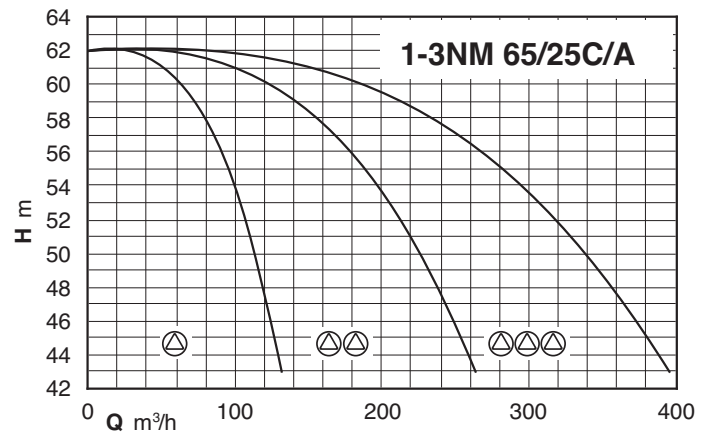
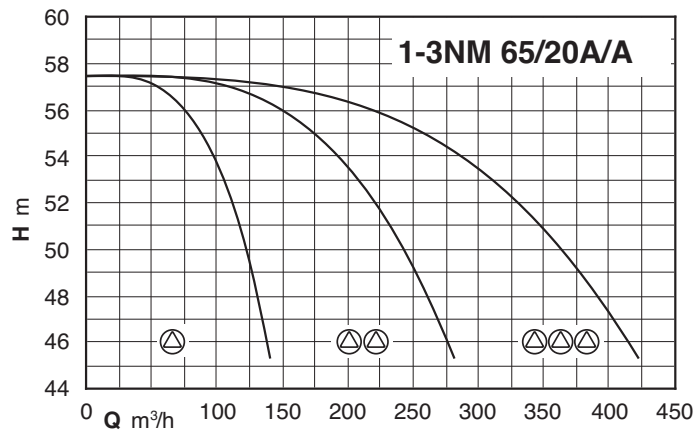
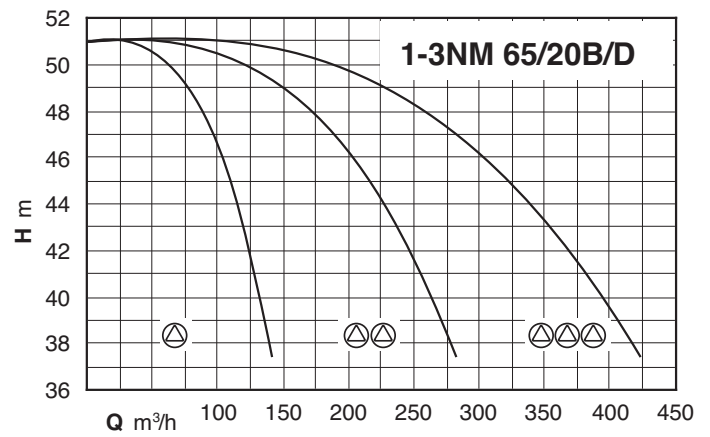
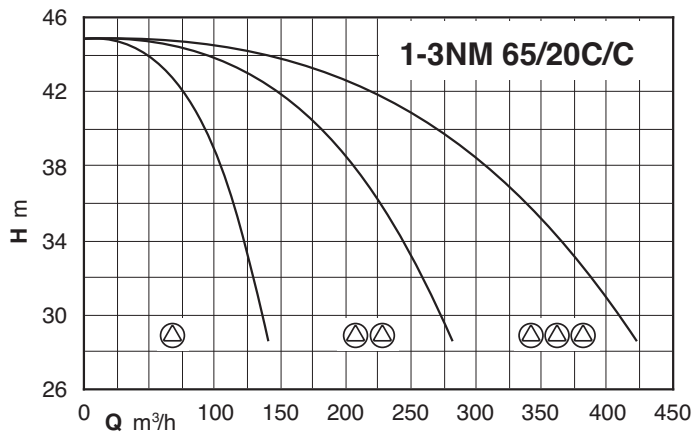
## Coverage chart



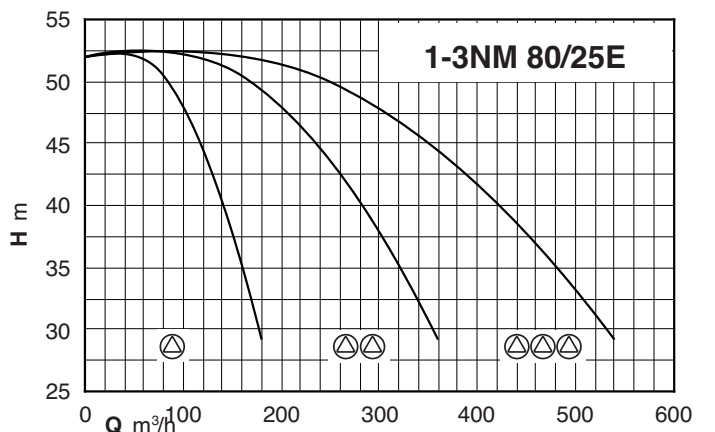
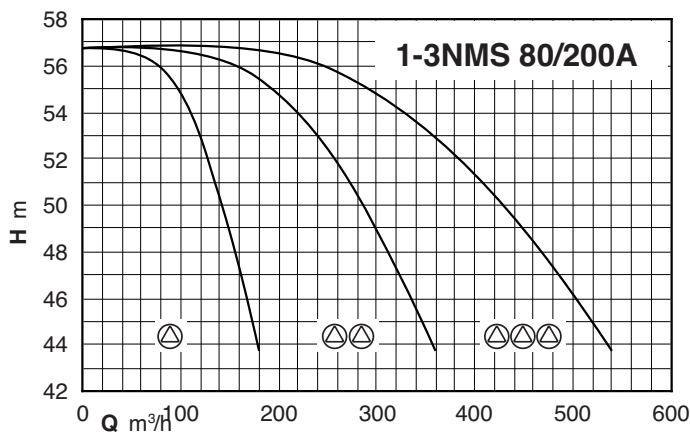
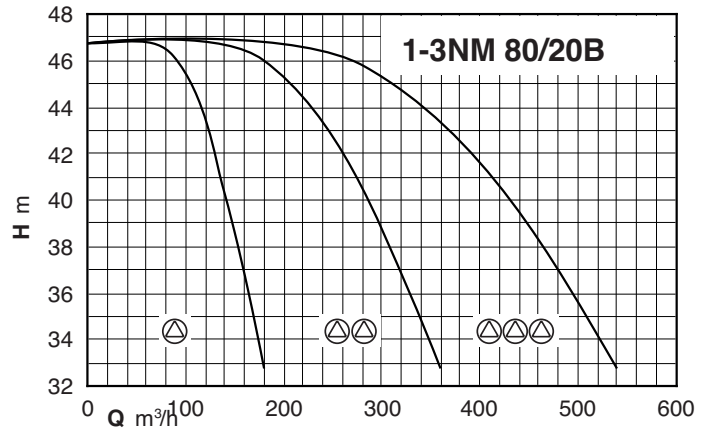
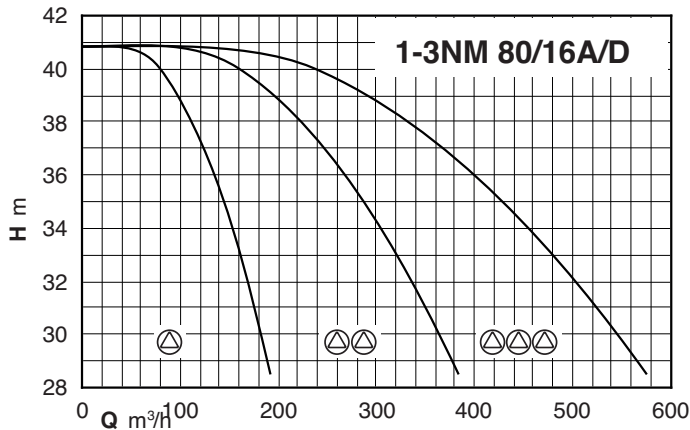
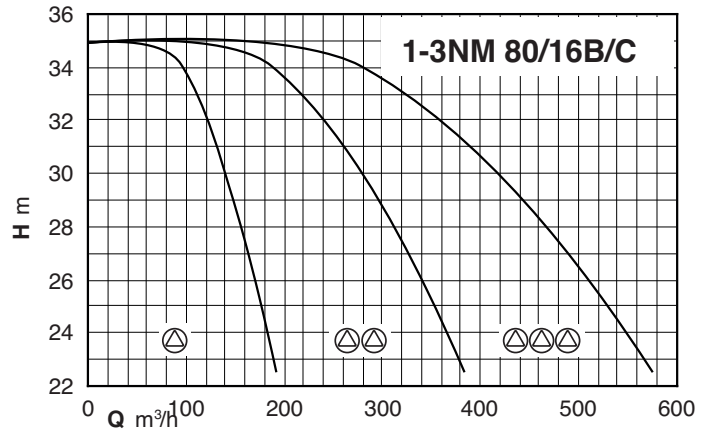
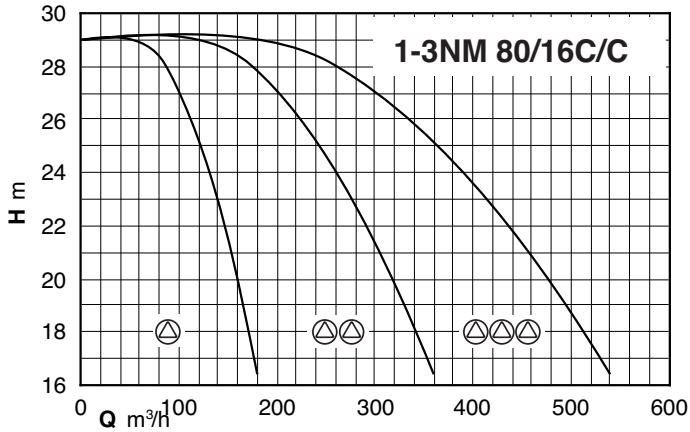
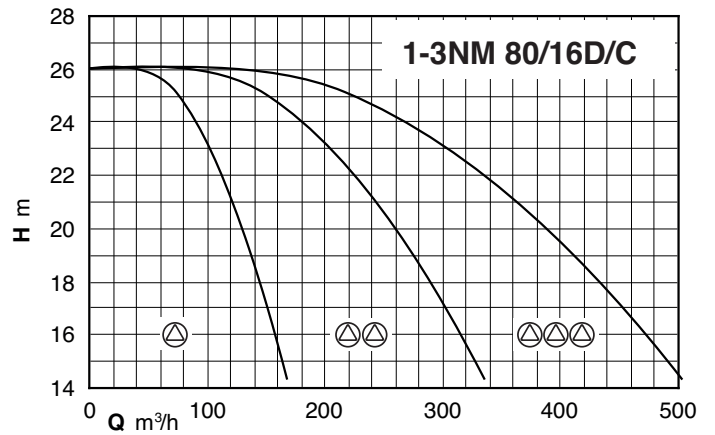
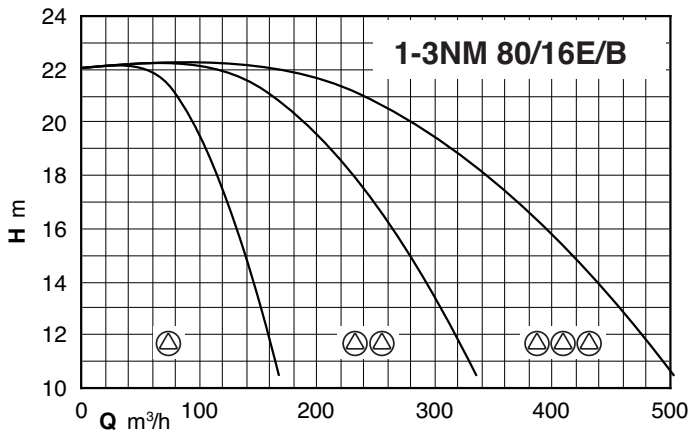
## Coverage chart



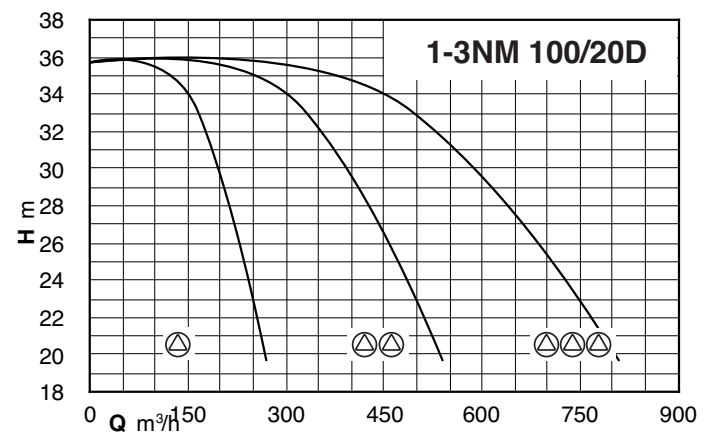
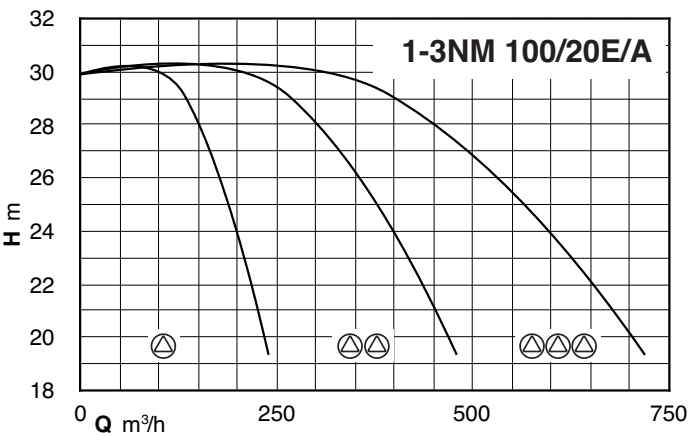
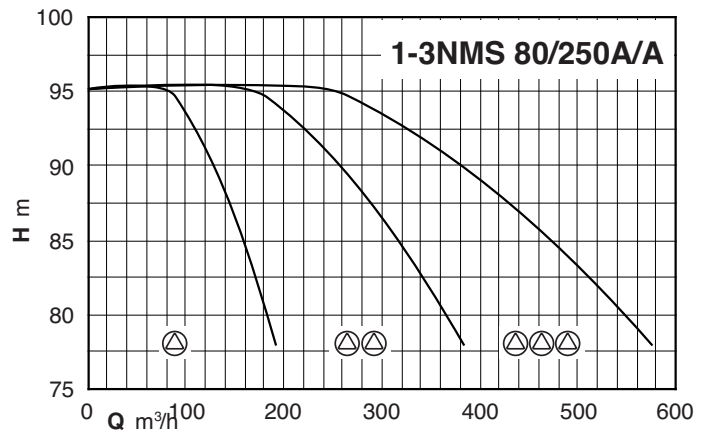
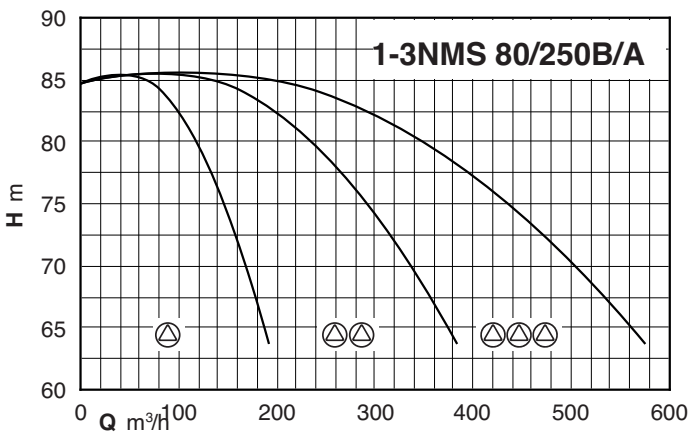
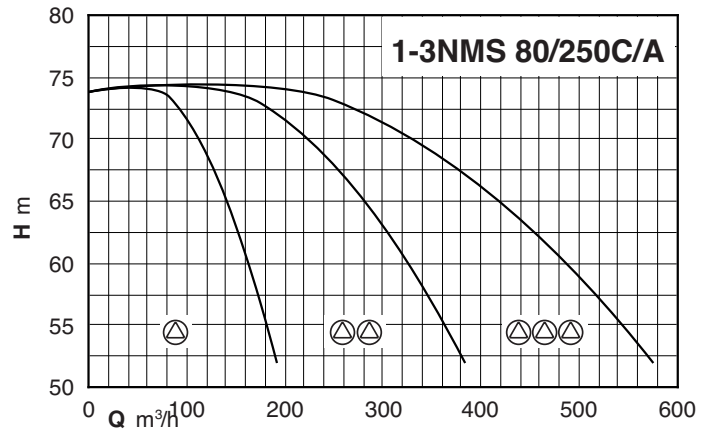
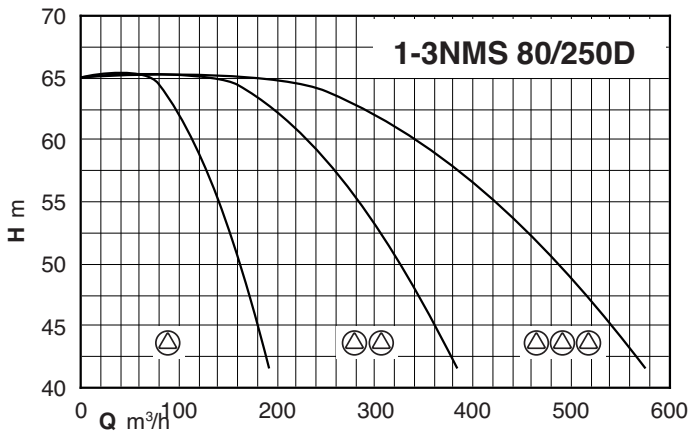
## Coverage chart



## Coverage chart



## Coverage chart





### Performance

#### BS1F

Mains: 400V 3~ Motor: 400V 3~	Motor		Pres. switch 1 bar		Vessel Membrane litre	Vessel litre
	kW	HP	min	max		
BS1F 1NM 32/16B/A	1,5	2	2,2	2,8	500	800
BS1F 1NM 32/16A/B	2,2	3	2,7	3,4	500	1000
BS1F 1NM 32/20C/A	3	4	3,2	4,2	500	1000
BS1F 1NM 32/20A/B	4	5,5	4,5	5,5	750	1000
BS1F 1NM 32L/16B	3	4	1,9	2,7	750	1500
BS1F 1NM 32L/16A	4	5,5	2,8	3,6	1500	3000
BS1F 1NM 32L/20B	5,5	7,5	3,1	4,6	1000	1500
BS1F 1NM 32L/20A	7,5	10	3,7	5,3	1500	3000
BS1F 1NMD 32/210D/B	4	5,5	5	7	500	500
BS1F 1NMD 32/210C/A	5,5	7,5	6	8	500	800
BS1F 1NMD 32/210B/A	7,5	10	8	10	750	1000
BS1F 1NMD 32/210A/B	9,2	12,5	9,5	11	1000	1500
BS1F 1NMD 40/180D/B	4	5,5	4	5,5	500	1000
BS1F 1NMD 40/180C/A	5,5	7,5	5	6,5	750	1500
BS1F 1NMD 40/180B/A	7,5	10	6,7	8,2	1000	2000
BS1F 1NMD 40/180A/B	9,2	12,5	7,5	9	1500	2000
BS1F 1NM 40/16B/B	3	4	1,5	2,5	750	1500
BS1F 1NM 40/16A/C	4	5,5	2,4	3,4	1000	2000
BS1F 1NM 40/20B/A	5,5	7,5	3,7	4,7	1500	3000
BS1F 1NM 40/20A/A	7,5	10	4,4	5,4	2000	4000
BS1F 1NM 40/25B/C	11	15	5,6	6,6	3000	5000
BS1F 1NM 40/25A/C	15	20	7,7	8,7	4000	-
BS1F 1NM 50/16B/B	5,5	7,5	1,7	2,7	2000	4000
BS1F 1NM 50/16A/B	7,5	10	2,5	3,5	3000	5000
BS1F 1NM 50/20B/C	9,2	12,5	3,5	4,5	3000	5000
BS1F 1NM 50/20A/C	11	15	4,2	5,2	4000	-
BS1F 1NM 50/25C/C	11	15	4,1	5,1	4000	-
BS1F 1NM 50/25B/C	15	20	5,6	6,6	4000	-
BS1F 1NM 50/25A/D	18,5	25	6,6	7,6	5000	-
BS1F 1NM 65/16B/C	11	15	2,2	3,2	4000	-
BS1F 1NM 65/16A/R	15	20	2,6	3,6	5000	-
BS1F 1NM 65/16A/C	15	20	3,1	4,1	5000	-
BS1F 1NM 65/20C/C	15	20	3	4	-	-
BS1F 1NM 65/20B/D	18,5	25	3,6	4,6	-	-
BS1F 1NM 65/20A/A	22	30	4,2	5,2	-	-
BS1F 1NM 65/25C/A	22	30	5	6	-	-
BS1F 1NMS 65/250B/A	30	40	6,6	7,6	-	-
BS1F 1NMS 65/250A/A	37	50	7,7	8,7	-	-
BS1F 1NM 80/16B/C	15	20	2,5	3,5	-	-
BS1F 1NM 80/16A/D	18,5	25	2	3	-	-
BS1F 1NM 80/20B	22	30	3,3	4,3	-	-
BS1F 1NMS 80/200A	30	40	4,3	5,3	-	-
BS1F 1NM 80/25E	22	30	3,8	4,8	-	-
BS1F 1NMS 80/250D	30	40	4,5	6	-	-
BS1F 1NMS 80/250C/A	37	50	5,5	7	-	-
BS1F 1NMS 80/250B/A	45	60	6,5	8	-	-
BS1F 1NMS 80/250A/A	55	75	8	9	-	-

## Performance

## BS2F

Mains: 400V 3~ Motor: 400V 3~	Motor		Pres. switch 1 bar		Pres. switch 2 bar		Vessel Membrane litre	Vessel litre
	kW	HP	min	max	min	max		
BS2F 2NMD 20/110B/A	0,45 x2	0,6 x2	2,0	3,0	1,7	2,7	24x2	100
BS2F 2NMD 20/110A/B	0,75 x2	1 x2	2,8	4,0	2,4	3,6	60	100
BS2F 2NM 2/A/B	0,75 x2	1 x2	2,0	3,0	1,7	2,7	80	200
BS2F 2NMD 20/140B/A	1,1 x2	1,5 x2	3,4	4,9	3,2	4,7	80	200
BSM2F 2NMDM 20/140AE	1,5 x2	2 x2	4,0	5,3	3,7	5,0	100	200
BS2F 2NMD 20/140A/A	1,5 x2	2 x2	5,0	6,3	4,7	6,0	100	200
BS2F 2NM 3/C/A	1,1 x2	1,5 x2	2,5	3,5	2,2	3,2	100	200
BSM2F 2NMM 3/BE	1,5 x2	2 x2	3,0	4,0	2,7	3,7	100	300
BS2F 2NM 3/B/A	1,5 x2	2 x2	3,2	4,5	2,9	4,2	100	300
BS2F 2NM 3/A/B	2,2 x2	3 x2	4,0	5,3	3,7	5,0	200	300
BS2F 2NM 25/20B/C	2,2 x2	3 x2	3,0	4,0	2,7	3,7	300	500
BS2F 2NM 25/20A/B	3 x2	4 x2	3,8	4,8	3,5	4,5	500	800
BS2F 2NM 25/20S/C	4 x2	5,5 x2	4,0	5,5	3,5	5,0	500	800
BS2F 2NMD 25/190C/B	2,2 x2	3 x2	4,3	5,8	3,8	5,3	200	300
BS2F 2NMD 25/190B/A	3 x2	4 x2	5,0	7,0	4,5	6,5	200	300
BS2F 2NMD 25/190A/B	4 x2	5,5 x2	7,5	9,0	7,0	8,5	300	500
BS2F 2NM 32/16B/A	1,5 x2	2 x2	2,2	2,8	2	2,6	500	800
BS2F 2NM 32/16A/B	2,2 x2	3 x2	2,7	3,4	2,5	3,2	500	1000
BS2F 2NM 32/20C/A	3 x2	4 x2	3,2	4,2	3	4	500	1000
BS2F 2NM 32/20A/B	4 x2	5,5 x2	4,5	5,5	4	5	750	1000
BS2F 2NM 32L/16B	3 x2	4 x2	1,9	2,7	1,6	2,4	750	1500
BS2F 2NM 32L/16A	4 x2	5,5 x2	2,8	3,6	2,5	3,3	1000	2000
BS2F 2NM 32L/20B	5,5 x2	7,5 x2	3,2	4,7	2,9	4,4	750	1000
BS2F 2NM 32L/20A	7,5 x2	10 x2	3,7	5,4	3,5	5,1	1000	1500
BS2F 2NMD 32/210D/B	4 x2	5,5 x2	5	7	4,5	6,5	500	500
BS2F 2NMD 32/210C/A	5,5 x2	7,5 x2	6	8	5,5	7,5	500	800
BS2F 2NMD 32/210B/A	7,5 x2	10 x2	8	10	7,5	9,5	750	1000
BS2F 2NMD 32/210A/B	9,2 x2	12,5 x2	9,5	11	9	10,5	1000	1500
BS2F 2NMD 40/180D/B	4 x2	5,5 x2	4	5,5	3,5	5	500	1000
BS2F 2NMD 40/180C/A	5,5 x2	7,5 x2	5	6,5	4,5	6	750	1500
BS2F 2NMD 40/180B/A	7,5 x2	10 x2	6,7	8,2	6,2	7,7	1000	2000
BS2F 2NMD 40/180A/B	9,2 x2	12,5 x2	7,5	9	7	8,5	1500	2000
BS2F 2NM 40/16B/B	3 x2	4 x2	1,5	2,5	1,2	2,2	750	1500
BS2F 2NM 40/16A/C	4 x2	5,5 x2	2,4	3,4	2	3	1000	2000
BS2F 2NM 40/20B/A	5,5 x2	7,5 x2	3,7	4,7	3,3	4,3	1500	3000
BS2F 2NM 40/20A/A	7,5 x2	10 x2	4,4	5,4	3,9	4,9	2000	4000
BS2F 2NM 40/25B/C	11 x2	15 x2	5,6	6,6	5,1	6,1	3000	5000
BS2F 2NM 40/25A/C	15 x2	20 x2	7,7	8,7	7,3	8,3	4000	-
BS2F 2NM 50/16B/B	5,5 x2	7,5 x2	1,7	2,7	1,2	2,2	2000	4000
BS2F 2NM 50/16A/B	7,5 x2	10 x2	2,5	3,5	2	3	3000	5000
BS2F 2NM 50/20B/C	9,2 x2	12,5 x2	3,5	4,5	3	4	3000	5000
BS2F 2NM 50/20A/C	11 x2	15 x2	4,2	5,2	3,7	4,7	4000	-
BS2F 2NM 50/25C/C	11 x2	15 x2	4,1	5,1	3,6	4,6	4000	-
BS2F 2NM 50/25B/C	15 x2	20 x2	5,6	6,6	5,1	6,1	4000	-
BS2F 2NM 50/25A/D	18,5 x2	25 x2	6,6	7,6	6,1	7,1	5000	-
BS2F 2NM 65/16B/C	11 x2	15 x2	2,2	3,2	1,7	2,7	4000	-
BS2F 2NM 65/16AR	15 x2	15 x2	2,6	3,6	2,1	3,1	5000	-
BS2F 2NM 65/16A/C	15 x2	15 x2	3,1	4,1	2,6	3,6	5000	--
BS2F 2NM 65/20C/C	15 x2	20 x2	3	4	2,5	3,5	-	-
BS2F 2NM 65/20B/D	18,5 x2	25 x2	3,6	4,6	3,2	4,2	-	-
BS2F 2NM 65/20A/A	22 x2	30 x2	4,2	5,2	3,8	4,8	-	-
BS2F 2NM 65/25C/A	22 x2	30 x2	5	6	4,6	5,6	-	-
BS2F 2NMS 65/250B/A	30 x2	40 x2	6,6	7,6	6,2	7,2	-	-
BS2F 2NMS 65/250A/A	37 x2	50 x2	7,7	8,7	7,3	8,3	-	-
BS2F 2NM 80/16B/C	15 x2	20 x2	2,2	3,2	1,7	2,7	-	-
BS2F 2NM 80/16A/D	18,5 x2	25 x2	2,8	3,8	2,3	3,3	-	-
BS2F 2NM 80/20B	22 x2	30 x2	3,3	4,3	3	4	-	-
BS2F 2NMS 80/200A	30 x2	40 x2	4,3	5,3	4	5	-	-
BS2F 2NM 80/25E	22 x2	30 x2	3,8	4,8	3,2	4,2	-	-
BS2F 2NMS 80/250D	30 x2	40 x2	4,5	6	4	5,5	-	-
BS2F 2NMS 80/250C/A	37 x2	50 x2	5,5	7	5	6,5	-	-
BS2F 2NMS 80/250B/A	45 x2	60 x2	6,5	8	6	7,5	-	-
BS2F 2NMS 80/250A/A	55 x2	75 x2	8	9	7,5	8,5	-	-

## Performance

## BS3F

Mains: 400V 3~ Motor: 400V 3~	Motor		pressure transducer bar		Vessel Membrane litre	Vessel litre
	kW	HP	min	max		
BS3F 3NM 40/16B/B	3 x3	4 x3	1,8	2,6	750	2000
BS3F 3NM 40/16A/C	4 x3	5,5 x3	2,5	3,3	1500	3000
BS3F 3NM 40/20B/A	5,5 x3	7,5 x3	3	4,5	1000	2000
BS3F 3NM 40/20A/A	7,5 x3	10 x3	3,5	5,1	1500	3000
BS3F 3NM 40/25B/C	11 x3	15 x3	4,5	6,2	2000	3000
BS3F 3NM 40/25A/C	15 x3	20 x3	6,1	8,1	3000	4000
BS3F 3NM 50/16B/B	5,5 x3	7,5 x3	2	2,8	2000	4000
BS3F 3NM 50/16A/B	7,5 x3	10 x3	2,6	3,4	3000	6000
BS3F 3NM 50/20B/C	9,2 x3	12,5 x3	3,4	4,3	-	6000
BS3F 3NM 50/20A/C	11 x3	15 x3	3,4	4,9	3000	5000
BS3F 3NM 50/25C/C	11 x3	15 x3	3,4	4,9	3000	5000
BS3F 3NM 50/25B/C	15 x3	20 x3	4,5	6,2	-	6000
BS3F 3NM 50/25A/D	18,5 x3	25 x3	5,4	7,2	-	8000
BS3F 3NM 65/16B/C	11 x3	15 x3	2,1	2,9	-	10000
BS3F 3NM 65/16A/R	15 x3	20 x3	2,4	3,2	-	-
BS3F 3NM 65/16A/C	15 x3	20 x3	2,8	3,6	-	-
BS3F 3NM 65/20C/C	15 x3	20 x3	3	3,9	-	-
BS3F 3NM 65/20B/D	18,5 x3	25 x3	2,9	4,4	-	-
BS3F 3NM 65/20A/A	22 x3	30 x3	3,5	5	-	-
BS3F 3NM 65/25C/A	22 x3	30 x3	4	5,7	-	-
BS3F 3NMS 65/250B/A	30 x3	40 x3	5,3	7,1	-	-
BS3F 3NMS 65/250A/A	37 x3	50 x3	6,1	8,1	-	-
BS3F 3NM 80/16B/C	15 x3	20 x3	2,3	3,1	-	-
BS3F 3NM 80/16A/C	18,5 x3	25 x3	2,7	3,5	-	-
BS3F 3NM 80/20B	22 x3	30 x3	3,2	4,1	-	-
BS3F 3NMS 80/200A	30 x3	40 x3	3,4	4,9	-	-
BS3F 3NM 80/25E	22 x3	30 x3	3	4,5	-	-
BS3F 3NMS 80/250D	30 x3	40 x3	4,1	5,8	-	-
BS3F 3NMS 80/250C/A	37 x3	50 x3	4,8	6,6	-	-
BS3F 3NMS 80/250B/A	45 x3	60 x3	5,7	7,6	-	-
BS3F 3NMS 80/250A/A	55 x3	75 x3	6,6	8,6	-	-

## Performance

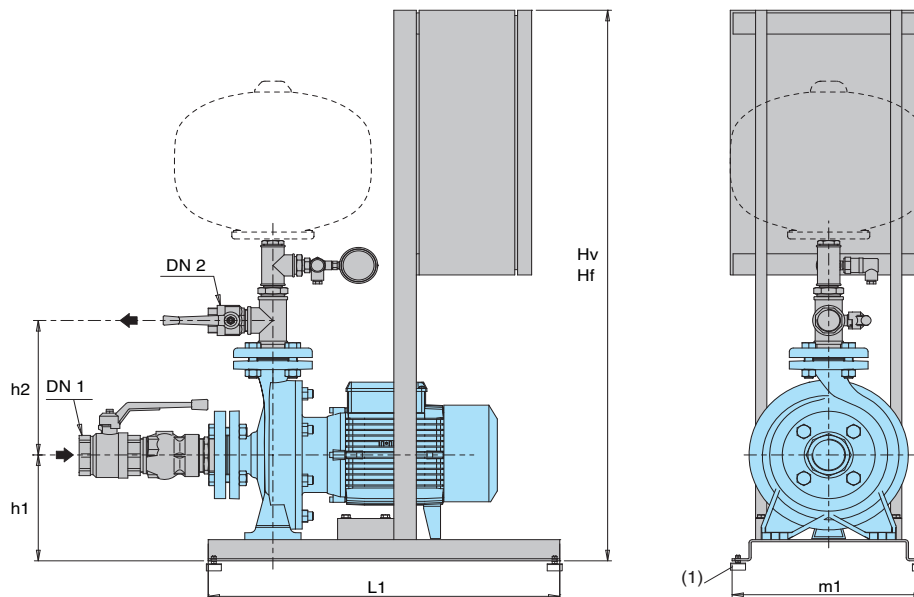
### BS..

PUMPS Nos						PUMP TYPE	P <sub>2</sub>	
1	2	3	4	5	6		For each pump	
							kW	HP
BS2V BS1V1F						NM 2/A/B	0,75	1
						NMD 20/110B/A	0,45	0,6
						NMD 20/110A/B	0,75	1
						NMD 20/140B/A	1,1	1,5
						NMD 20/140A/A	1,5	2
						NM 3/C/A	1,1	1,5
						NM 3/B/A	1,5	2
						NM 3/A/B	2,2	3
						NM 25/20B/C	2,2	3
						NM 25/20A/B	3	4
						NM 25/20S/C	4	5,5
						NMD 25/190C/B	2,2	3
						NMD 25/190B/A	3	4
						NMD 25/190A/B	4	5,5
						NM 32/16B/A	1,5	2
						NM 32/16A/B	2,2	3
						NM 32/20C/A	3	4
						NM 32/20A/B	4	5,5
						NM 32L/16B	3	4
						NM 32L/16A	4	5,5
NM 32L/20B	5,5	7,5						
NM 32L/20A	7,5	10						
NMD 32/210D/B	4	5,5						
NMD 32/210C/A	5,5	7,5						
NMD 32/210B/A	7,5	10						
NMD 32/210A/B	9,2	12,5						
NMD 40/180D/B	4	5,5						
NMD 40/180C/A	5,5	7,5						
NMD 40/180B/A	7,5	10						
NMD 40/180A/B	9,2	12,5						
NM 40/16B/B	3	4						
NM 40/16A/C	4	5,5						
NM 40/20B/A	5,5	7,5						
NM 40/20A/A	7,5	10						
NM 40/25B/C	11	15						
NM 40/25A/C	15	20						
NM 50/16B/B	5,5	7,5						
NM 50/16A/B	7,5	10						
NM 50/20B/C	9,2	12,5						
NM 50/20A/C	11	15						
NM 50/25C/C	11	15						
NM 50/25B/C	15	20						
NM 50/25A/D	18,5	25						
NM 65/16B/C	11	15						
NM 65/16AR	15	20						
NM 65/16A/C	15	20						
NM 65/20C/C	15	20						
NM 65/20B/D	18,5	25						
NM 65/20A/A	22	30						
NM 65/25C/A	22	30						
NMS 65/250B/A	30	40						
NMS 65/250A/A	37	50						
NM 80/16B/C	15	20						
NM 80/16A/D	18,5	25						
NM 80/20B	22	30						
NMS 80/200A	30	40						
NM 80/25E	22	30						
NMS 80/250D	30	40						
NMS 80/250C/A	37	50						
NMS 80/250B/A	45	60						
NMS 80/250A /A	55	75						

### BS.. ..-ITT

PUMPS Nos		PUMP TYPE	P <sub>2</sub>	
2	3		For each pump	
			kW	HP
BS2V -ITT	BS3V -ITT	NM 3/C/A-ITT	1,1	1,5
		NM 3/B/A-ITT	1,5	2
		NM 3/A/B-ITT	2,2	3
		NM 25/160B/A-ITT	1,1	1,5
		NM 25/160A/A-ITT	1,5	2
		NM 25/20B/C-ITT	2,2	3
		NM 25/20A/B-ITT	3	4
		NM 25/20S/C-ITT	4	5,5
		NM 32/16B/A-ITT	1,5	2
		NM 32/16A/B-ITT	2,2	3
		NM 32/20D/B-ITT	2,2	3
		NM 32/20C/A-ITT	3	4
		NM 32/20A/B-ITT	4	5,5
		NM 32L/16B-ITT	3	4
		NM 32L/16A-ITT	4	5,5
		NM 32L/20B-ITT	5,5	7,5
		NM 32L/20A-ITT	7,5	10
		NM 40/16C/C-ITT	2,2	3
		NM 40/16B/B-ITT	3	4
		NM 40/16A/C-ITT	4	5,5
		NM 40/20D/B-ITT	4	5,5
		NM 40/20C/B-ITT	4	5,5
		NM 40/20B/A-ITT	5,5	7,5
		NM 40/20A/A-ITT	5,5	7,5
		NM 40/20A/A-ITT	7,5	10
		NM 40/25C/C-ITT	9,2	12,5
		NM 40/25B/C-ITT	11	15
		NM 40/25A/C-ITT	15	20
		NM 50/16B/B-ITT	5,5	7,5
		NM 50/16A/B-ITT	7,5	10
		NM 50/20B/C-ITT	9,2	12,5
		NM 50/20A/C-ITT	11	15
		NM 50/20S/C-ITT	15	20
		NM 50/25C/C-ITT	11	15
		NM 50/25B/C-ITT	15	20
		NM 50/25A/D-ITT	18,5	25
		NM 65/16D/B-ITT	7,5	10
		NM 65/16C/C-ITT	9,2	12,5
		NM 65/16B/C-ITT	11	15
		NM 65/16AR-ITT	15	20
NM 65/16A/C-ITT	15	20		
NM 65/20C/C-ITT	15	20		
NM 65/20B/D-ITT	18,5	25		
NM 65/20A/A-ITT	22	30		
NM 65/25C/A-ITT	22	30		
NM 80/16E/B-ITT	7,5	10		
NM 80/16D/C-ITT	9,2	12,5		
NM 80/16C/C-ITT	11	15		
NM 80/16B/C-ITT	15	20		
NM 80/16A/D-ITT	18,5	25		
NM 80/20B-ITT	22	30		
NM 80/25E-ITT	22	30		
NM 100/20E/A-ITT	18,5	25		
NM 100/20D-ITT	22	30		

## Dimensions and weights



TYPE	Connection		mm						weight
	DN 1	DN 2	Hv	Hf	h1	L1	m1	kg	
BS1.. 1NM 32/16B/A	G 2	G 1	1045	875	175	625	365	-	
BS1.. 1NM 32/16A/B									
BS1.. 1NM 32/20C/A	G 2	G 1	1045	875	205	625	365	-	
BS1.. 1NM 32/20A/B									
BS1.. 1NM 32L/16B	G 2	G 1	1045	875	175	625	365	-	
BS1.. 1NM 32L/16A									
BS1.. 1NM 32L/20B	G 2	G 1	1045	875	205	625	365	-	
BS1.. 1NM 32L/20A									
BS1.. 1NMD 32/210D/B					135				
BS1.. 1NMD 32/210C/A	G 2	G 1 1/4	1045	875	155	625	365	-	
BS1.. 1NMD 32/210B/A					155				
BS1.. 1NMD 32/210A/B					175				
BS1.. 1NMD 40/180D/B					135				
BS1.. 1NMD 40/180C/A	G 2	G 1 1/2	1045	875	155	625	365	-	
BS1.. 1NMD 40/180B/A					155				
BS1.. 1NMD 40/180A/B					175				
BS1.. 1NM 40/16B/B	G 2 1/2	G 1 1/2	1045	875	175	625	365	-	
BS1.. 1NM 40/16A/C									
BS1.. 1NM 40/20B/A	G 2 1/2	G 1 1/2	1145	875	205	625	365	-	
BS1.. 1NM 40/20A/A				1145					
BS1.. 1NM 40/25B/C	G 2 1/2	G 1 1/2	-	-	-	-	-	-	
BS1.. 1NM 40/25A/C									
BS1.. 1NM 50/16B/B	G 2 1/2	G 2	-	-	-	-	-	-	
BS1.. 1NM 50/16A/B									
BS1.. 1NM 50/20B/C	G 2 1/2	G 2	-	-	-	-	-	-	
BS1.. 1NM 50/20A/C									
BS1.. 1NM 50/25C/D	G 2 1/2	G 2	-	-	-	-	-	-	
BS1.. 1NM 50/25B/C									
BS1.. 1NM 50/25A/C									
BS1.. 1NM 65/16B/C									
BS1.. 1NM 65/16A/R	G 3	G 2 1/2	-	-	-	-	-	-	
BS1.. 1NM 65/16A/C									
BS1.. 1NM 65/20C/C									
BS1.. 1NM 65/20B/C	G 3	G 2 1/2	-	-	-	-	-	-	
BS1.. 1NM 65/20A/A									
BS1.. 1NM 65/25C/A									
BS1.. 1NMS 65/250B/A	G 3	G 2 1/2	-	-	-	-	-	-	
BS1.. 1NMS 65/250A/A									
BS1.. 1NM 80/16B/C									
BS1.. 1NM 80/16A/B	100	80	-	-	-	-	-	-	
BS1.. 1NM 80/20B									
BS1.. 1NMS 80/200A	100	80	-	-	-	-	-	-	
BS1.. 1NM 80/25E									
BS1.. 1NMS 80/250D									
BS1.. 1NMS 80/250C/A	100	80	-	-	-	-	-	-	
BS1.. 1NMS 80/250B/A									
BS1.. 1NMS 80/250A/A									

Dimensions not binding to be verified when ordering

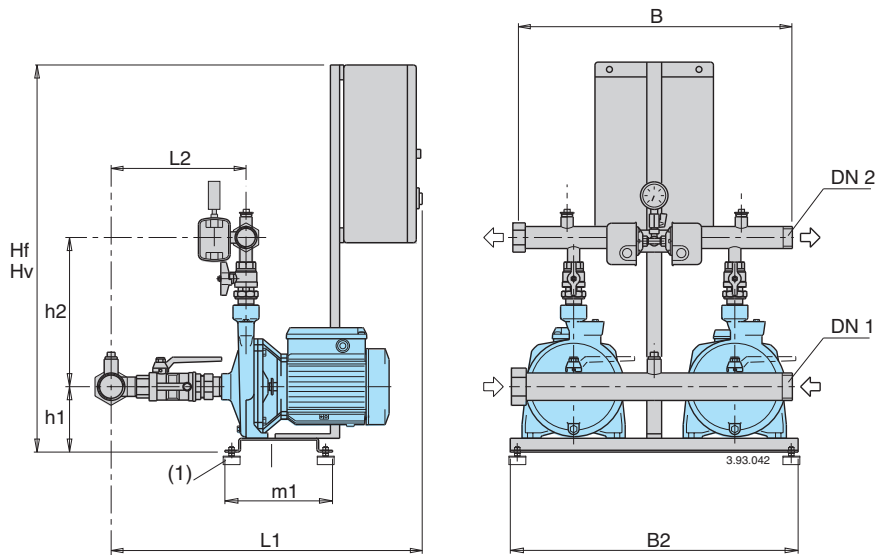
(1) Anti-vibration pads kit supplied loose as standard

Dimensions on request

Hf= Fixed speed boosting sets

Hv= Variable speed boosting sets

## Dimensions and weights



TYPE	Connection		mm									weight kg
	DN 1	DN 2	Hf	Hv	h1	h2	L1	L2	m1	B	B2	
BS.. 2NMD 20/110B/A	G 2	G 1 1/2	840		129	277	670	315	235	600	625	51
BS.. 2NMD 20/110A/B					129	277	670	315				55
BS.. 2NM 2/A/B	G 2	G 1 1/2			129	295	620	262				54
BS.. 2NMD 20/140B/A	G 2	G 1 1/2	840		146	295	670	320	235	600	625	72
BS.. 2NMD 20/140A/A					146	295	670	320				77
BS.. 2NM 3/C/A	G 2	G 1 1/2	867		156	307	650	254	365	600	625	71
BS.. 2NM 3/B/A					156	307	650	254				76
BS.. 2NM 3/A/B					156	307	650	254				78
BS.. 2NM 25/20B/C	G 2 1/2	G 2	840		160	330	725	373	235	600	625	87
BS.. 2NM 25/20A/B					160	330	725	373				106
BS.. 2NM 25/20S/C					160	330	725	373				114
BS.. 2NMD 25/190C/B	G 2 1/2	G 2	840		175	330	760	407	235	600	625	108
BS.. 2NMD 25/190B/A					175	330	760	407				123
BS.. 2NMD 25/190A/B					175	330	760	407				132
BS.. 2NM 32/16B/A	G 3	G 2 1/2	830	1210	266	345	304	389	476	600	625	
BS.. 2NM 32/16A/B			830	1210	266			389				
BS.. 2NM 32/20C/A	G 3	G 2 1/2	830	1210	294	365	324	389	476	600	625	
BS.. 2NM 32/20A/B			830	1210	294			389				
BS.. 2NMD 32/210D/B				890	1270			245				
BS.. 2NMD 32/210C/A	G 3	G 2 1/2	890	1370	272	380	460	440	550	700	800	
BS.. 2NMD 32/210B/A			1370	1370	272			440				
BS.. 2NMD 32/210A/B			1370	1670	307			515				
BS.. 2NMD 40/180D/B			890	1270	245			415				
BS.. 2NMD 40/180C/A	G 3	G 2 1/2	890	1370	272	460	475	435	550	700	800	
BS.. 2NMD 40/180B/A			1370	1370	272			435				
BS.. 2NMD 40/180A/B			1370	1670	307			510				

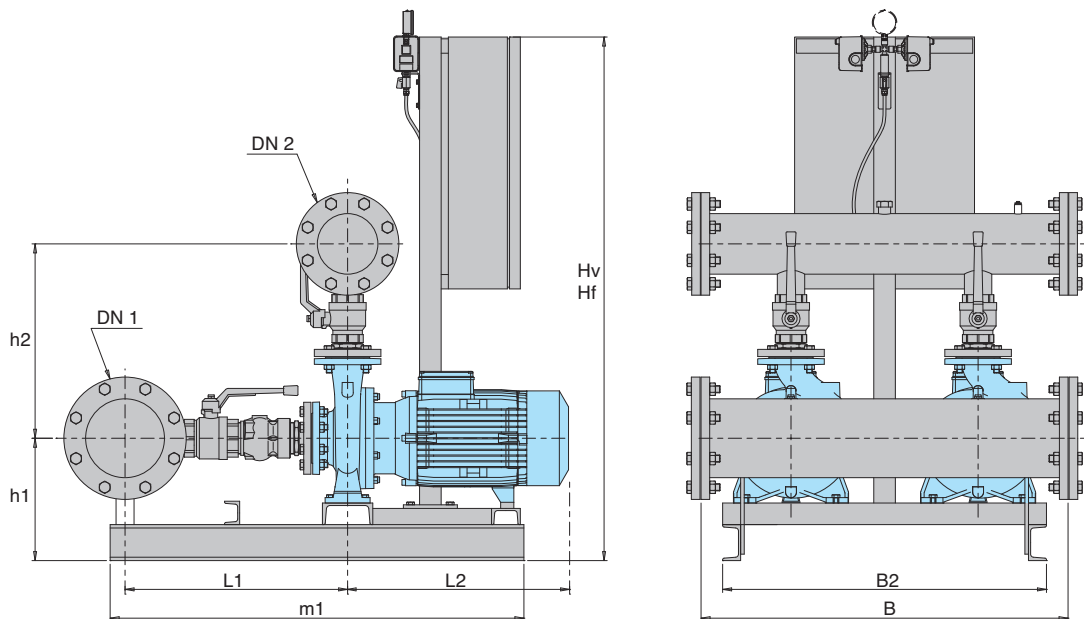
Dimensions not binding to be verified when ordering

Dimensions on request

Hf= Fixed speed boosting sets  
Hv= Variable speed boosting sets

(1) Anti-vibration pads kit supplied loose as standard

## Dimensions and weights



TYPE	Connection		mm									weight kg
	DN 1	DN 2	Hf	Hv	h1	h2	L1	L2	m1	B	B2	
BS.. 2NM 32L/16B	100	80	830	1210	280	387	487	330	476	820	800	-
BS.. 2NM 32L/16A			830	1210	280			370				
BS.. 2NM 32L/20B	100	80	830	1310	320	407	507	395	1040	820	900	-
BS.. 2NM 32L/20A			1310	1310	320			395				
BS.. 2NM 40/16B/B	100	80	830	1210	280	387	487	395	476	820	800	-
BS.. 2NM 40/16A/C			830	1210	280			395				
BS.. 2NM 40/20B/A	100	80	830	1310	320	407	507	425	1040	820	900	-
BS.. 2NM 40/20A/A			1310	1310	320			425				
BS.. 2NM 40/25B/C	100	80	1455	1755	340	452	507	540	1040	820	900	-
BS.. 2NM 40/25A/C			1455	1755	340			615				
BS.. 2NM 50/16B/B	125	100	975	1455	315	435	515	425	-	920	-	-
BS.. 2NM 50/16A/B			1455	1455	315			425				
BS.. 2NM 50/20B/C	125	100	1455	1755	315	455	515	540	-	920	-	-
BS.. 2NM 50/20A/C			1455	1755	315			540				
BS.. 2NM 50/25C/D	125	100	1455	1755	340	480	515	545	-	920	-	-
BS.. 2NM 50/25B/C			1455	1755	340			620				
BS.. 2NM 50/25A/D	125	100	1455	1855	340	515	515	620	-	920	-	-
BS.. 2NM 50/25C/A			1455	1855	340			620				
BS.. 2NM 65/16B/C	200	150	1455	1755	320	525	625	540	-	1020	-	-
BS.. 2NM 65/16A/R			1455	1755	320			540				
BS.. 2NM 65/16A/C	200	150	1455	1755	320	525	625	615	-	1020	-	-
BS.. 2NM 65/20C/C			1455	1755	340			615				
BS.. 2NM 65/20B/C	200	150	1455	1855	340	550	625	615	-	1200	-	-
BS.. 2NM 65/20A/A			1655	1855	340			615				
BS.. 2NM 65/25C/A	200	150	1655	1855	360	575	625	725	-	1200	-	-
BS.. 2NMS 65/250B/A			1655	1855	360			725				
BS.. 2NMS 65/250A/A	200	150	1855	1600*	360	575	625	975	-	1200	-	-
BS.. 2NM 80/16B/C			1455	1755	340			620				
BS.. 2NM 80/16A/D	250	200	1455	1855	340	615	730	620	-	1200	-	-
BS.. 2NM 80/20B			1455	1855	340			620				
BS.. 2NMS 80/200A	250	200	1655	1855	360	640	730	725	-	1200	-	-
BS.. 2NM 80/25E			1655	1855	360			725				
BS.. 2NMS 80/250D	250	200	1655	1855	360	670	730	725	-	1200	-	-
BS.. 2NMS 80/250C/A			1855	1600*	310			725				
BS.. 2NMS 80/250B/A	250	200	1400*	2100*	310	670	730	1040	-	1200	-	-
BS.. 2NMS 80/250A/A			1400*	2100*	310			1110				

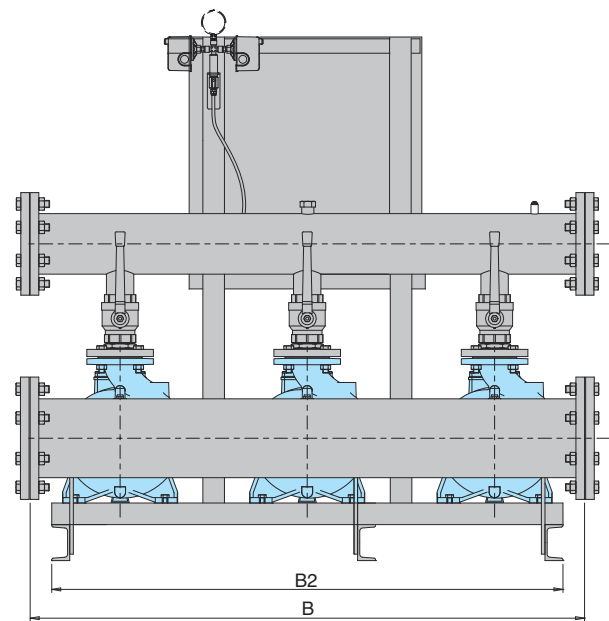
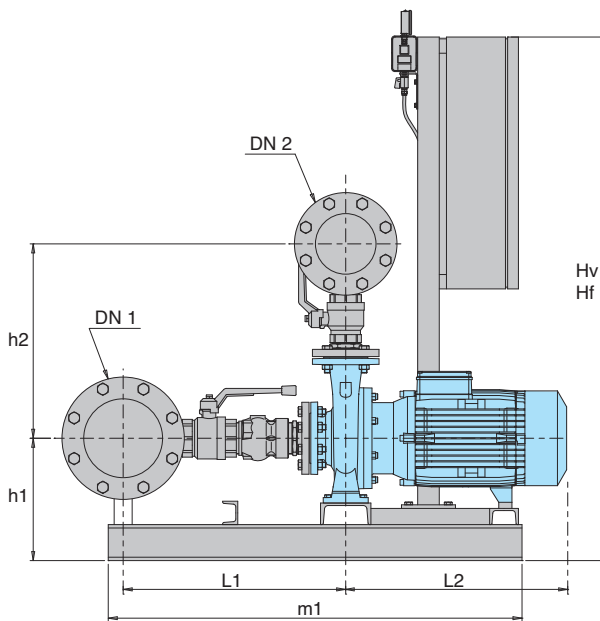
Dimensions not binding to be verified when ordering

Dimensions on request

Hf= Fixed speed boosting sets  
Hv= Variable speed boosting sets

\* Cabinet version

## Dimensions and weights



TYPE	Connection		mm										weight kg
	DN 1	DN 2	Hf	Hv	h1	h2	L1	L2	m1	B	B2		
BS.. 3NM 40/16B/B	125	100	830	1310	292	400	500	395	1100	1340	1400	-	
BS.. 3NM 40/16A/C			830	1310	292			395					
BS.. 3NM 40/20B/A			830	1610	320			425					
BS.. 3NM 40/20A/A	125	100	1410	1610	320	420	520	425	1100	1340	1400	-	
BS.. 3NM 40/25B/B			1555	1700*	340			615					
BS.. 3NM 40/25A/B	125	100	1555	1700*	340	465	520	540	1100	1340	1400	-	
BS.. 3NM 50/16B/B			975	1755	315			425					
BS.. 3NM 50/16A/B	150	125	1555	1755	315	448	525	425	-	1340	-	-	
BS.. 3NM 50/20B/C			1555	1700*	315			540					
BS.. 3NM 50/20A/C	150	125	1555	1700*	315	468	525	540	-	1340	-	-	
BS.. 3NM 50/25C/D			1555	1700*	340			545					
BS.. 3NM 50/25B/C	150	125	1555	1700*	340	493	525	620	-	1440	-	-	
BS.. 3NM 50/25A/D			1755	1700*	340			620					
BS.. 3NM 65/16B/C	250	200	1555	1700*	320	555	650	540	-	1540	-	-	
BS.. 3NM 65/16A/R			1555	1700*	320			615					
BS.. 3NM 65/16A/C	250	200	1555	1700*	340	580	650	615	-	1540	-	-	
BS.. 3NM 65/20C/C			1755	1700*	340			725					
BS.. 3NM 65/20B/C			1855	1700*	340			1900					
BS.. 3NM 65/20A/A	250	200	1855	1700*	340	580	650	725	-	1900	-	-	
BS.. 3NM 65/25C/A			1855	1700*	360			725					
BS.. 3NMS 65/250B/A	250	200	1855	1700*	260	605	650	725	-	1900	-	-	
BS.. 3NMS 65/250A/A			1545	-	310			975					
BS.. 3NM 80/16B/C	300	250	1555	1700*	340	645	755	620	-	1900	-	-	
BS.. 3NM 80/16A/D			1755	1700*	240			620					
BS.. 3NM 80/20B	300	250	1855	1700*	360	670	755	725	-	1900	-	-	
BS.. 3NMS 80/200A			1855	1700*	260			725					
BS.. 3NM 80/25E			1855	1700*	360			725					
BS.. 3NMS 80/250D	300	250	1855	1700*	260	700	755	725	-	1900	-	-	
BS.. 3NMS 80/250C/A			1400*	-	310			975					
BS.. 3NMS 80/250B/A			1400*	-	310			1040					
BS.. 3NMS 80/250A/A			1400*	-	310			1110					

Dimensions not binding to be verified when ordering

Dimensions on request

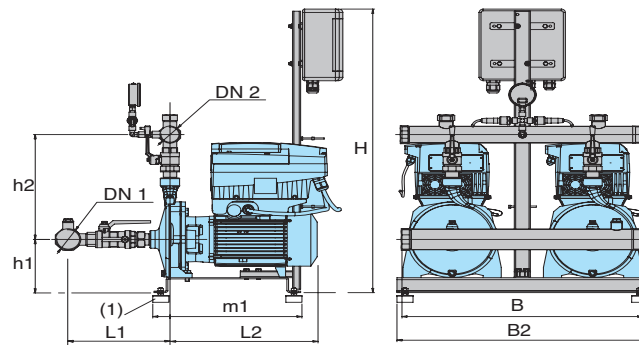
Hf= Fixed speed boosting sets

Hv= Variable speed boosting sets

\* Cabinet version

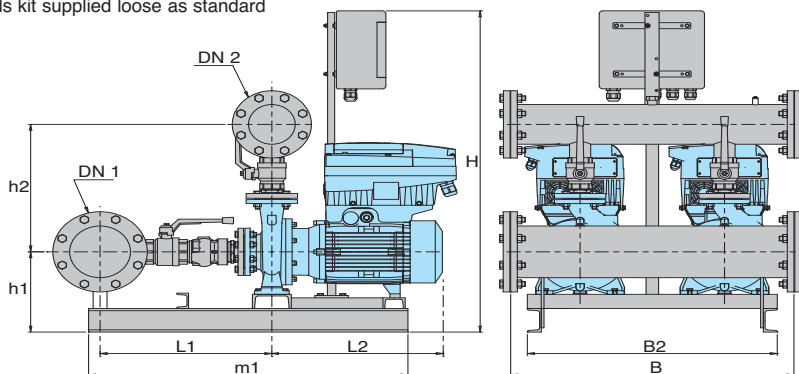


### Dimensions and weights



TYPE	Motor			Connection		mm							weight kg
	kW	HP	A	DN 1	DN 2	H	h1	h2	L1	L2	m1	B	
BS2V 2NM 3/C/A-ITT	1,1 x2	1,5 x2	2,7 x2	G 2	G 1 1/2	876	156	307	254	325	365	600	625
BS2V 2NM 3/B/A-ITT	1,5 x2	2 x2	4,3 x2			876							
BS2V 2NM 3/A/B-ITT	2,2 x2	3 x2	5,3 x2			876							
BS2V 2NM 25/160B/A-ITT	1,1 x2	1,5 x2	2,7 x2	G 2	G 1 1/2	876	135	305	273	324	365	600	625
BS2V 2NM 25/160A/A-ITT	1,5 x2	2 x2	4,3 x2			876							
BS2V 2NM 25/20B/C-ITT	2,2 x2	3 x2	5,3 x2			876							
BS2V 2NM 25/20A/B-ITT	3 x2	4 x2	6,6 x2	G 2 1/2	G 2	883	169	330	373	397	365	600	625
BS2V 2NM 25/20S/C-ITT	4 x2	5,5 x2	9,6 x2			883							
BS2V 2NM 32/16B/A-ITT	1,5 x2	2 x2	4,3 x2	G 3	G 2 1/2	876	266	304	389	330	476	600	625
BS2V 2NM 32/16A/B-ITT	2,2 x2	3 x2	5,3 x2			876							
BS2V 2NM 32/20D/B-ITT	2,2 x2	3 x2	5,3 x2			876							
BS2V 2NM 32/20C/A-ITT	3 x2	4 x2	6,6 x2	G 3	G 2 1/2	876	294	324	389	395	476	600	625
BS2V 2NM 32/20A/B-ITT	4 x2	5,5 x2	9,6 x2			876							

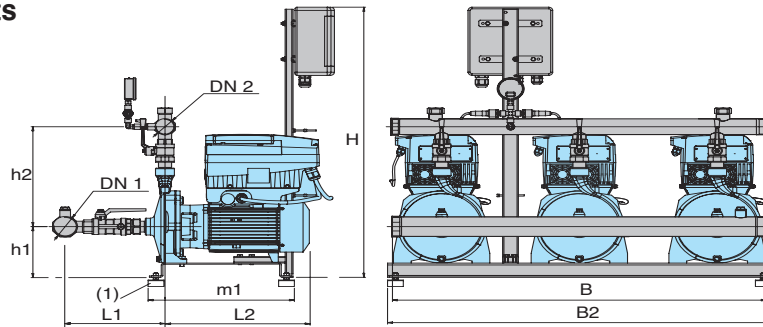
(1) Anti-vibration pads kit supplied loose as standard



TYPE	Motor			Connection		mm							weight kg
	kW	HP	A	DN 1	DN 2	H	h1	h2	L1	L2	m1	B	
BS2V 2NM 32L/16B-ITT	3 x2	4 x2	6,6 x2	100	80	897	280	387	487	330	476	820	800
BS2V 2NM 32L/16A-ITT	4 x2	5,5 x2	9,6 x2			897							
BS2V 2NM 32L/20B-ITT	5,5 x2	7,5 x2	10,8 x2	100	80	897	320	407	507	395	1040	820	900
BS2V 2NM 32L/20A-ITT	7,5 x2	10 x2	14,3 x2			897							
BS2V 2NM 40/16C/A-ITT	2,2 x2	3 x2	5,3 x2	100	80	897	280	387	487	370	476	820	800
BS2V 2NM 40/16B/B-ITT	3 x2	4 x2	6,6 x2			897							
BS2V 2NM 40/16A/C-ITT	4 x2	5,5 x2	9,6 x2			897							
BS2V 2NM 40/20D/B-ITT	4 x2	5,5 x2	9,6 x2	100	80	897	309	395	476	395	476	800	800
BS2V 2NM 40/20C/B-ITT	4 x2	5,5 x2	9,6 x2			897							
BS2V 2NM 40/20A/A-ITT	5,5 x2	7,5 x2	10,8 x2	100	80	897	320	407	507	425	1040	820	900
BS2V 2NM 40/20AR/A-ITT	5,5 x2	7,5 x2	10,8 x2			897							
BS2V 2NM 40/20A/A-ITT	7,5 x2	10 x2	14,3 x2	100	80	897	320	407	507	425	1040	820	900
BS2V 2NM 40/25C/A-ITT	9,2 x2	12,5 x2	18,5 x2			897							
BS2V 2NM 40/25B/C-ITT	11 x2	15 x2	21,5 x2	100	80	977	340	452	507	590	1040	820	-
BS2V 2NM 40/25A/C-ITT	15 x2	20 x2	27,3 x2			977							
BS2V 2NM 50/16B/B-ITT	5,5 x2	7,5 x2	10,8 x2	125	100	977	315	435	515	425	-	920	-
BS2V 2NM 50/16A/B-ITT	7,5 x2	10 x2	14,3 x2			977							
BS2V 2NM 50/20B/C-ITT	9,2 x2	12,5 x2	18,5 x2	125	100	977	315	480	515	620	-	920	-
BS2V 2NM 50/20A/C-ITT	11 x2	15 x2	21,5 x2			977							
BS2V 2NM 50/20S/C-ITT	15 x2	20 x2	27,3 x2	125	100	977	340	480	515	620	-	920	-
BS2V 2NM 50/25C/A-ITT	11 x2	15 x2	21,5 x2			977							
BS2V 2NM 50/25B/C-ITT	15 x2	20 x2	27,3 x2	125	100	977	340	480	515	620	-	920	-
BS2V 2NM 50/25A/D-ITT	18,5 x2	25 x2	34 x2			977							
BS2V 2NM 65/16D/B-ITT	7,5 x2	10 x2	14,3 x2	200	150	977	320	525	625	540	-	1020	-
BS2V 2NM 65/16C/C-ITT	9,2 x2	12,5 x2	18,5 x2			977							
BS2V 2NM 65/16B/C-ITT	11 x2	15 x2	21,5 x2	200	150	977	320	525	625	540	-	1020	-
BS2V 2NM 65/16A/R-ITT	15 x2	20 x2	27,3 x2			977							
BS2V 2NM 65/16A/C-ITT	15 x2	20 x2	27,3 x2	200	150	977	320	525	625	540	-	1020	-
BS2V 2NM 65/20C/C-ITT	15 x2	20 x2	27,3 x2			977							
BS2V 2NM 65/20B/D-ITT	18,5 x2	25 x2	34 x2	200	150	977	340	550	730	620	-	1200	-
BS2V 2NM 65/20A/A-ITT	22 x2	30 x2	41 x2			977							
BS2V 2NM 65/25C/A-ITT	22 x2	30 x2	41 x2	200	150	977	360	575	725	620	-	1200	-
BS2V 2NM 80/16E/B-ITT	7,5 x2	10 x2	14,3 x2			977							
BS2V 2NM 80/16D/C-ITT	9,2 x2	12,5 x2	18,5 x2	250	200	977	-	615	-	545	-	1050	-
BS2V 2NM 80/16C/C-ITT	11 x2	15 x2	21,5 x2			977							
BS2V 2NM 80/16B/C-ITT	15 x2	20 x2	27,3 x2	250	200	977	340	-	-	620	-	1050	-
BS2V 2NM 80/16A/D-ITT	18,5 x2	25 x2	34 x2			977							
BS2V 2NM 80/20B-ITT	22 x2	30 x2	41 x2	250	200	-	360	640	725	620	-	1200	-
BS2V 2NM 80/25E-ITT	22 x2	30 x2	41 x2			-							
BS2V 2NM 100/20E/A-ITT	18,5 x2	25 x2	34 x2	300	250	1490	410	770	1083	662	1835	1200	1200
BS2V 2NM 100/20D-ITT	22 x2	30 x2	41 x2			1490							

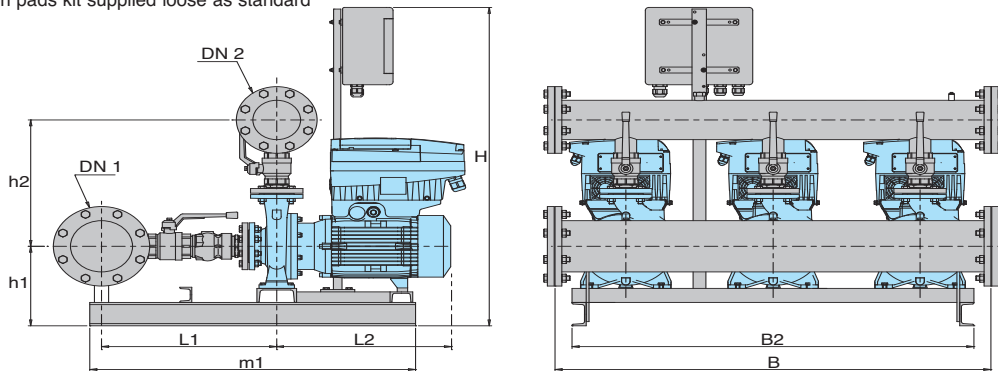
Dimensions not binding to be verified when ordering

### Dimensions and weights



TYPE	Motor			Connection		mm								weight kg
	kW	HP	A	DN 1	DN 2	H	h1	h2	L1	L2	m1	B	B2	
BS3V 3NM 3/C/A-ITT	1,1 x3	1,5 x3	2,7 x3	G 2 1/2	G 2	876	171	316	-	325	406	950	1000	
BS3V 3NM 3/B/A-ITT	1,5 x3	2 x3	4,3 x3			876				365				
BS3V 3NM 3/A/B-ITT	2,2 x3	3 x3	5,3 x3			876				365				
BS3V 3NM 25/160B/A-ITT	1,1 x3	1,5 x3	2,7 x3	G 2	G 2	876	135	290	-	324	406	950	1000	
BS3V 3NM 25/160A/A-ITT	1,5 x3	2 x3	4,3 x3			876				365				
BS3V 3NM 25/20B/C-ITT	2,2 x3	3 x3	5,3 x3			876				370				
BS3V 3NM 25/20A/B-ITT	3 x3	4 x3	6,6 x3	G 3	G 2 1/2	883	184	316	-	397	406	950	1000	
BS3V 3NM 25/20S/C-ITT	4 x3	5,5 x3	9,6 x3			883				397				

(1) Anti-vibration pads kit supplied loose as standard

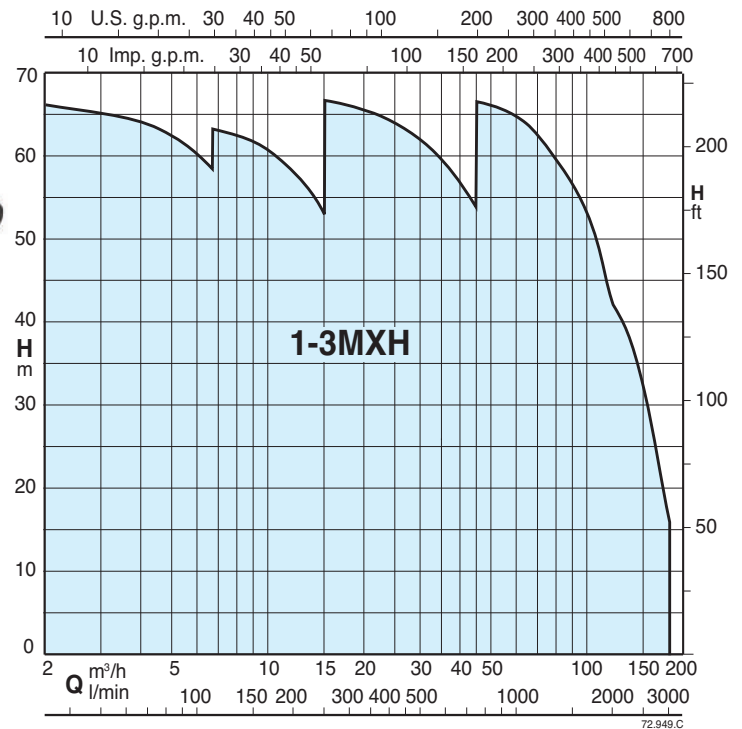


TYPE	Motor			Connection		mm								weight kg
	kW	HP	A	DN 1	DN 2	H	h1	h2	L1	L2	m1	B	B2	
BS3V 3NM 32/16B/A-ITT	1,5 x3	2 x3	4,3 x3	100	80	876	165	-	-	330	-	950	-	
BS3V 3NM 32/16A/B-ITT	2,2 x3	3 x3	5,3 x3			876	165							
BS3V 3NM 32/20D/B-ITT	2,2 x3	3 x3	5,3 x3	100	80	876	195	-	-	370	-	950	-	
BS3V 3NM 32/20C/A-ITT	3 x3	4 x3	6,6 x3			876	195							
BS3V 3NM 32/20A/B-ITT	4 x3	5,5 x3	9,6 x3	125	100	876	195	400	500	330	1100	1340	1400	
BS3V 3NM 32L/16-ITT	3 x3	4 x3	6,6 x3			876	292							
BS3V 3NM 32L/16A-ITT	4 x3	5,5 x3	9,6 x3	125	100	876	292	420	500	370	1100	1340	1400	
BS3V 3NM 32L/20B-ITT	5,5 x3	7,5 x3	10,8 x3			876	320							
BS3V 3NM 32L/20A-ITT	7,5 x3	10 x3	14,3 x3	125	100	876	320	420	520	395	1100	1340	1400	
BS3V 3NM 40/16C/B-ITT	2,2 x3	3 x3	5,3 x3			897	292							
BS3V 3NM 40/16B/C-ITT	3 x3	4 x3	6,6 x3	125	100	897	292	400	500	395	1100	1340	1400	
BS3V 3NM 40/16A/C-ITT	4 x3	5,5 x3	9,6 x3			897	292							
BS3V 3NM 40/20D/B-ITT	4 x3	5,5 x3	9,6 x3	125	100	897	320	420	520	395	1100	1340	1400	
BS3V 3NM 40/20C/B-ITT	4 x3	5,5 x3	9,6 x3			897	320							
BS3V 3NM 40/20B/A-ITT	5,5 x3	7,5 x3	10,8 x3	125	100	897	320	420	520	425	1100	1340	1400	
BS3V 3NM 40/20A/B-ITT	5,5 x3	7,5 x3	10,8 x3			897	320							
BS3V 3NM 40/20A/A-ITT	7,5 x3	10 x3	14,3 x3	150	125	897	320	448	525	425	-	1340	-	
BS3V 3NM 40/25C/C-ITT	9,2 x3	12,5 x3	18,5 x3			897	320							
BS3V 3NM 40/25B/C-ITT	11 x3	15 x3	21,5 x3	125	100	977	340	465	520	540	1100	1340	1400	
BS3V 3NM 40/25A/D-ITT	15 x3	20 x3	27,3 x3			977	340							
BS3V 3NM 50/16B/B-ITT	5,5 x3	7,5 x3	10,8 x3	150	125	977	315	448	525	425	-	1340	-	
BS3V 3NM 50/16A/B-ITT	7,5 x3	10 x3	14,3 x3			977	315							
BS3V 3NM 50/20B/C-ITT	9,2 x3	12,5 x3	18,5 x3	150	125	977	315	468	525	540	-	1340	-	
BS3V 3NM 50/20A/C-ITT	11 x3	15 x3	21,5 x3			977	315							
BS3V 3NM 50/20S/C-ITT	15 x3	20 x3	27,3 x3	150	125	977	315	493	525	620	-	1440	-	
BS3V 3NM 50/25C/C-ITT	11 x3	15 x3	21,5 x3			977	340							
BS3V 3NM 50/25B/C-ITT	15 x3	20 x3	27,3 x3	150	125	977	340	493	525	620	-	1440	-	
BS3V 3NM 50/25A/D-ITT	18,5 x3	25 x3	34 x3			977	340							
BS3V 3NM 65/16D/B-ITT	7,5 x3	10 x3	14,3 x3	250	200	977	320	555	650	425	-	1540	-	
BS3V 3NM 65/16C/C-ITT	9,2 x3	12,5 x3	18,5 x3			977	320							
BS3V 3NM 65/16B/C-ITT	11 x3	15 x3	21,5 x3	250	200	977	320	555	650	540	-	1540	-	
BS3V 3NM 65/16A/R-ITT	15 x3	20 x3	27,3 x3			977	320							
BS3V 3NM 65/16A/C-ITT	15 x3	20 x3	27,3 x3	250	200	977	320	580	-	615	-	1900	-	
BS3V 3NM 65/20C/C-ITT	15 x3	20 x3	27,3 x3			977	320							
BS3V 3NM 65/20B/D-ITT	18,5 x3	25 x3	34 x3	250	200	977	340	580	-	445	-	1540	-	
BS3V 3NM 65/20A/A-ITT	22 x3	30 x3	41 x3			977	340							
BS3V 3NM 65/25C/A-ITT	22 x3	30 x3	41 x3	250	200	977	360	605	-	725	-	1900	-	
BS3V 3NM 80/16E/B-ITT	7,5 x3	10 x3	14,3 x3			977	340							
BS3V 3NM 80/16D/C-ITT	9,2 x3	12,5 x3	18,5 x3	300	250	977	340	645	-	420	-	1900	-	
BS3V 3NM 80/16C/C-ITT	11 x3	15 x3	21,5 x3			977	340							
BS3V 3NM 80/16B/C-ITT	15 x3	20 x3	27,3 x3	300	250	977	340	645	-	545	-	1900	-	
BS3V 3NM 80/16A/D-ITT	18,5 x3	25 x3	34 x3			977	340							
BS3V 3NM 80/20B-ITT	22 x3	30 x3	41 x3	300	250	-	360	670	-	725	-	1900	-	
BS3V 3NM 80/25E-ITT	22 x3	30 x3	41 x3			-	360							
BS3V 3NM 100/20E/A-ITT	18,5 x3	25 x3	34 x3	350	300	-	-	-	-	700	-	1900	-	
BS3V 3NM 100/20D-ITT	22 x3	30 x3	41 x3			-	-							

Dimensions not binding to be verified when ordering



Coverage chart



## Operation

**BS 1-6F Pressure boosting sets with 1 to 6 fixed speed pump. Sets with 4,5 and 6 pumps on request.**  
Depending on the reduction of the pressure in the system, the pressure switches (pressure transducer for 3-pump sets) determine the starting up of the pumps in sequence and the microprocessor alternates the starts.

**BS2-3V Pressure boosting sets with 2 to 3 variable speed pumps (with I-MAT).**  
Depending on water consumption, one or more pumps are activated, all at variable speed, in order to guarantee the quantity of water required at the set pressure.

**BS1-3V Pressure boosting sets with 1 to 3 variable speed pumps (with EASYMAT).**  
Depending on water consumption, one or more pumps are activated, all at variable speed, in order to guarantee the quantity of water required at the set pressure.

**BS1V2-5F Pressure boosting sets with 1 variable speed pump (with frequency converter into the control panel) and from 1 to 5 fixed speed pumps. Sets with 4,5 and 6 pumps on request.**  
According to the water consumption, one or more pumps start, one at variable speed and the others at fixed speed, to grant the water quantity required at the set pressure.

**BS1-6V Pressure boosting sets with 1 to 6 variable speed pumps (with frequency converter into the control panel). Sets with 4,5 and 6 pumps on request.**  
Depending on water consumption, one or more pumps are activated, all at variable speed, in order to guarantee the quantity of water required at the set pressure.

## Construction

- Automatic pressure boosting plant consisting of 1 to 6 horizontal multi-stage pumps complete with ball, non return valve on the suction side and ball valves on the delivery side.

**Suction and delivery manifolds for boosting sets with 2,3 pumps:**  
- stainless steel AISI 304.  
Connections are located on the delivery manifold for the installation of vessels G1 connection.

**Electrical control boards:**  
- with microprocessor for fixed speed pump units. Motor starting is D.O.L. up to 5,5 kW and Y/Δ for power rating 7,5 kW.  
- with frequency converter for variable speed pump units.

The unit includes one pressure gauge and three adjustable differential pressure switches or pressure transducer.

## Applications

To supply water in civil and industrial buildings.  
As pressure boosting pump to increase water pressure when needed (follow local rules).

## Motors

2-pole induction motors, 50 Hz,  $n \approx 2900$  rpm, suitable for operation with frequency converter.  
- Three-phase 230/400V  $\pm 10\%$  up to 3 kW;  
400/690V  $\pm 10\%$  for 4 kW to 7,5 kW;  
- Single-phase 230 V  $\pm 10\%$ , with thermal protector.  
Insulation class F.  
Protection IP 54.  
Constructed in accordance with: IEC 60034.  
Other voltages and frequencies on request.

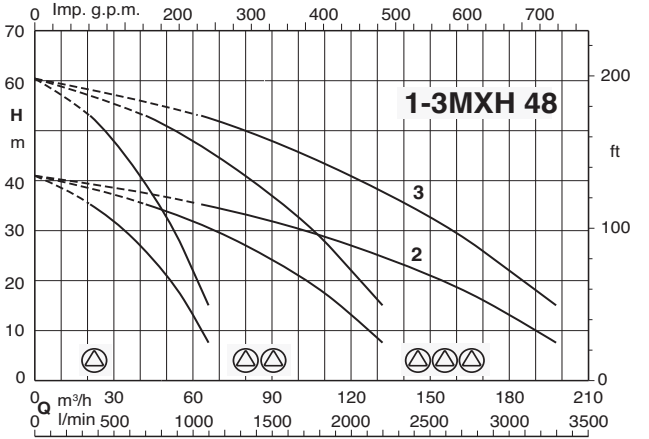
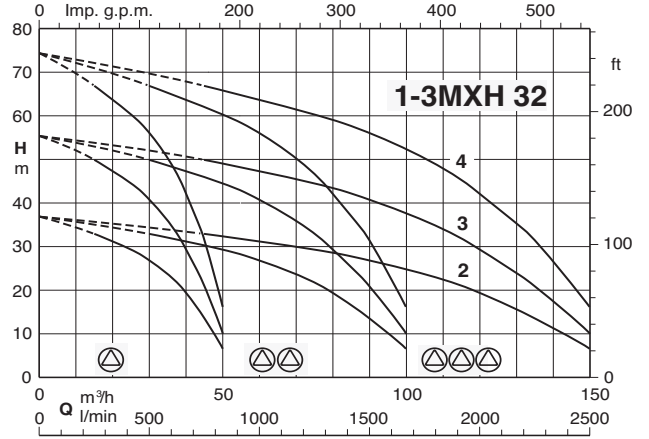
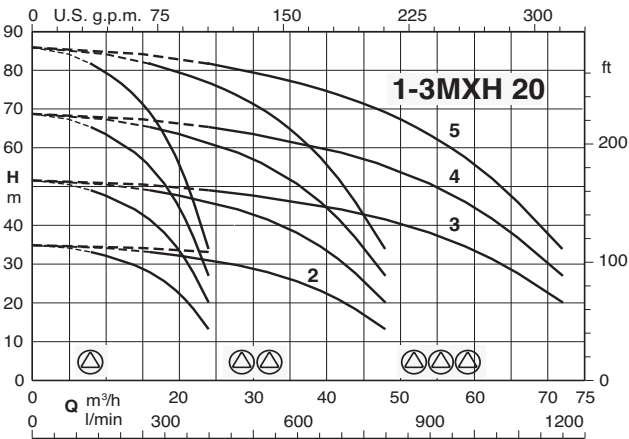
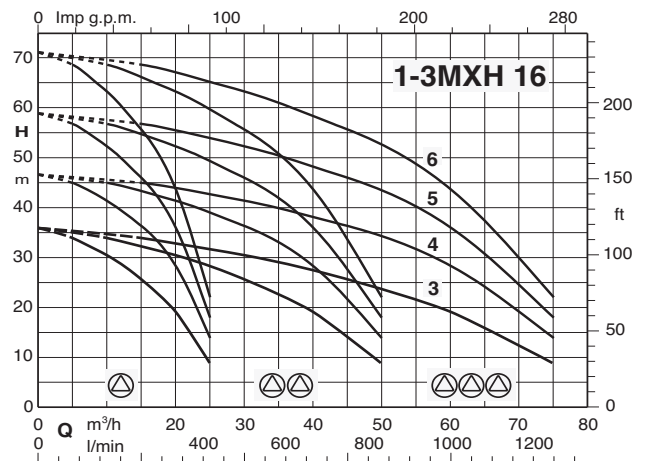
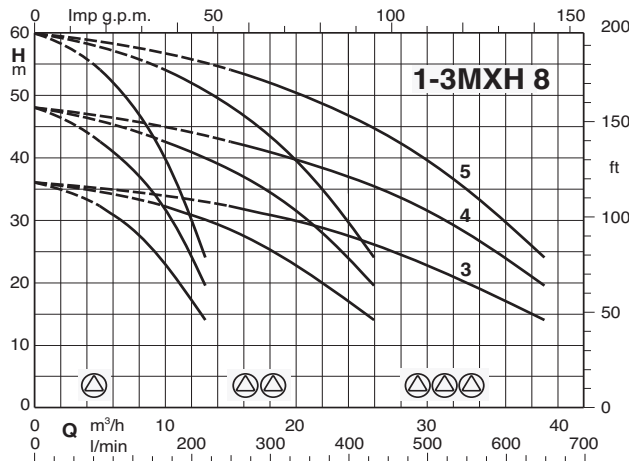
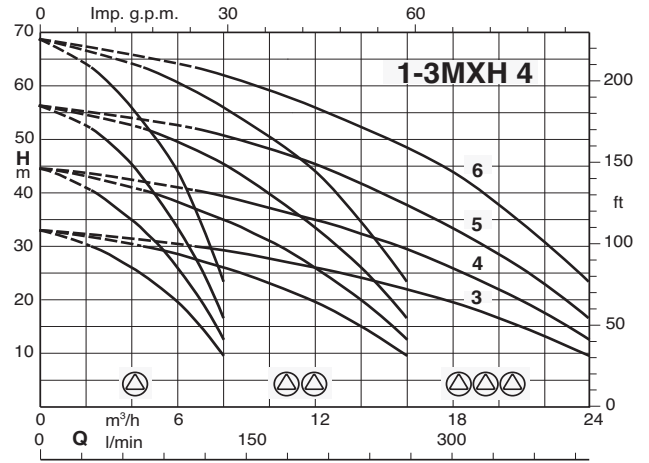
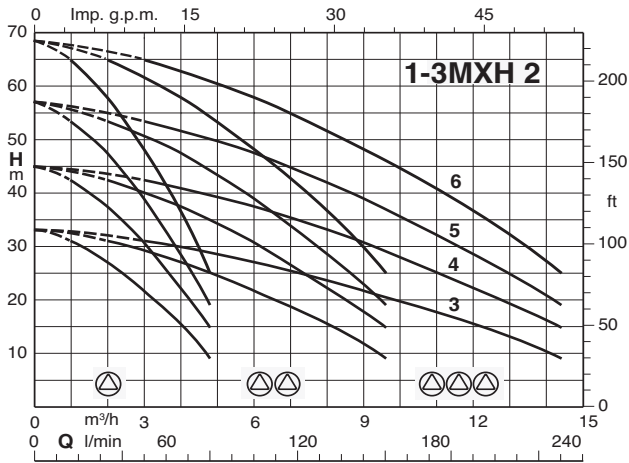
## Vessels on request

When installing the unit, connect in the delivery section to a diaphragm or galvanised tank.  
The recommended sized are shown in the following page.

## Special features on request

Pressure boosting sets with 4,5 and 6 pumps.

## Coverage chart



## Performance

### BS1F

### BSM1F

Mains: 400V 3~ Motor: 400V 3~	Mains: 230V 1~ Motor: 230V 1~	Motor		Pres. switch 1 bar		Vessel Membrane litre	Vessel litre
		kW	HP	min	max		
BS1F 1MXH 203E	BSM1F 1MXHM 203E	0,45	0,6	1,4	2,8	24	100
BS1F 1MXH 204/A	BSM1F 1MXHM 204/A	0,55	0,75	2,8	4	40	100
BS1F 1MXH 205/B	BSM1F 1MXHM 205/A	0,75	1	3,5	5	50	100
BS1F 1MXH 206/C	BSM1F 1MXHM 206	1,1	1,5	4	6	50	100
BS1F 1MXH 403/A	BSM1F 1MXHM 403/A	0,55	0,75	1,4	2,6	60	100
BS1F 1MXH 404/B	BSM1F 1MXHM 404/A	0,75	1	2,4	3,6	80	200
BS1F 1MXH 405/C	BSM1F 1MXHM 405	1,1	1,5	3,4	4,9	100	200
BS1F 1MXH 406/A	BSM1F 1MXHM 406	1,5	2	4	6	100	200
BS1F 1MXH 803/A	BSM1F 1MXHM 803	1,1	1,5	1,6	2,8	100	300
BS1F 1MXH 804/A	BSM1F 1MXHM 804	1,5	2	2,8	4	200	300
BS1F 1MXH 805/B		1,8	2,5	3,5	5	200	500
BS1F 1MXH 1603/B		1,8	2,5	1,5	3	300	500
BS1F 1MXH 1604/A		3	4	2,8	4	500	1000
BS1F 1MXH 1605/B		3,7	5	3,8	5,3	500	1000
BS1F 1MXH 1606/B		4	5,5	4,5	6,5	500	800
BS1F 1MXH 2002/A		1,8	2,5	1,5	2,8	300	500
BS1F 1MXH 2003		3	4	3	4,5	500	1000
BS1F 1MXH 2004/A		4	5,5	4,4	5,9	1000	1500
BS1F 1MXH 2005		5,5	7,5	5,5	7	1000	1500
BS1F 1MXH-F 3202/B		4	5,5	1,5	3	1000	2000
BS1F 1MXH-F 3203/A		5,5	7,5	3	4,5	1000	2000
BS1F 1MXH-F 3204/A		7,5	10	4	6	1500	3000
BS1F 1MXH-F 4802/A		5,5	7,5	1,5	3	1500	2000
BS1F 1MXH-F 4803/A		7,5	10	3	4,5	2000	3000

### BS2F

### BSM2F

Mains: 400V 3~ Motor: 400V 3~	Alimentazione 230V 1~ Motore 230V 1~	Motor		Pres. switch 1 bar		Pres. switch 2 bar		Vessel Membrane litre	Vessel litre
		kW	HP	min	max	min	max		
BS2F 2MXH 203E	BSM2F 2MXHM 203E	0,45 x2	0,6 x2	1,4	2,8	1	2,4	24	100
BS2F 2MXH 204/A	BSM2F 2MXHM 204/A	0,55 x2	0,75 x2	2,8	4	2,4	3,6	40	100
BS2F 2MXH 205/B	BSM2F 2MXHM 205/A	0,75 x2	1 x2	3,5	5	3	4,5	50	100
BS2F 2MXH 206/C	BSM2F 2MXHM 206	1,1 x2	1,5 x2	4	6	3,5	5,5	50	100
BS2F 2MXH 403/A	BSM2F 2MXHM 403/A	0,55 x2	0,75 x2	1,4	2,6	1	2,2	60	100
BS2F 2MXH 404/B	BSM2F 2MXHM 404/A	0,75 x2	1 x2	2,4	3,6	2	3,2	80	200
BS2F 2MXH 405/C	BSM2F 2MXHM 405	1,1 x2	1,5 x2	3,4	4,9	3	4,5	100	200
BS2F 2MXH 406/A	BSM2F 2MXHM 406	1,5 x2	2 x2	4	6	3,5	5,5	100	200
BS2F 2MXH 803/A	BSM2F 2MXHM 803	1,1 x2	1,5 x2	1,6	2,8	1,2	2,4	100	300
BS2F 2MXH 804/A	BSM2F 2MXHM 804	1,5 x2	2 x2	2,8	4	2,4	3,6	200	300
BS2F 2MXH 805/B		1,8 x2	2,5 x2	3,5	5	3	4,5	200	500
BS2F 2MXH 1603/B		1,8 x2	2,5 x2	1,5	3	1,2	2,7	300	500
BS2F 2MXH 1604/A		3 x2	4 x2	2,8	4	2,4	3,6	500	1000
BS2F 2MXH 1605/B		3,7 x2	5 x2	3,8	5,3	3,4	4,9	500	1000
BS2F 2MXH 1606/B		4 x2	5,5 x2	4,5	6,5	4	6	500	800
BS2F 2MXH 2002/A		1,8 x2	2,5 x2	1,5	2,8	1,2	2,5	300	500
BS2F 2MXH 2003		3 x2	4 x2	3	4,5	2,5	4	500	1000
BS2F 2MXH 2004/A		4 x2	5,5 x2	4,4	5,9	3,9	5,4	1000	1500
BS2F 2MXH 2005		5,5 x2	7,5 x2	5,5	7	5,1	6,6	1000	1500
BS2F 2MXH-F 3202/B		4 x2	5,5 x2	1,5	3	1,2	2,7	1000	2000
BS2F 2MXH-F 3203/A		5,5 x2	7,5 x2	3	4,5	2,5	4	1000	2000
BS2F 2MXH-F 3204/A		7,5 x2	10 x2	4	6	3,5	5,5	1500	3000
BS2F 2MXH-F 4802/A		5,5 x2	7,5 x2	1,5	3	1,2	2,7	1500	2000
BS2F 2MXH-F 4803/A		7,5 x2	10 x2	3	4,5	2,5	4	2000	3000

### BS3F

Mains: 400V 3~ Motor: 400V 3~	Motor		Pressure transducer bar		Vessel Membrane litre	Vessel litre
	kW	HP	min	max		
BS3F 3MXH 203E	0,45 x3	0,6 x3	2	2,8	24x2	100
BS3F 3MXH 204/A	0,55 x3	0,75 x3	2,9	3,8	24x2	100
BS3F 3MXH 205/B	0,75 x3	1 x3	3,3	4,8	24x2	100
BS3F 3MXH 206/C	1,1 x3	1,5 x3	4,2	5,9	60	100
BS3F 3MXH 403/A	0,55 x3	0,75 x3	1,9	2,7	80	200
BS3F 3MXH 404/B	0,75 x3	1 x3	2,8	3,6	100	200
BS3F 3MXH 405/C	1,1 x3	1,5 x3	3,2	4,7	100	200
BS3F 3MXH 406/A	1,5 x3	2 x3	4	5,7	150	200
BS3F 3MXH 803/A	1,1 x3	1,5 x3	2,1	2,9	200	500
BS3F 3MXH 804/A	1,5 x3	2 x3	2,9	3,8	300	500
BS3F 3MXH 805/B	1,8 x3	2,5 x3	3,4	4,9	300	500
BS3F 3MXH 1603/B	1,8 x3	2,5 x3	2,2	3	300	800
BS3F 3MXH 1604/A	3 x3	4 x3	3,3	4,2	500	1000
BS3F 3MXH 1605/B	3,7 x3	5 x3	3,6	5,2	500	1000
BS3F 3MXH 1606/B	4 x3	5,5 x3	4,4	6,1	500	1000
BS3F 3MXH 2003	3 x3	4 x3	3,4	4,3	500	800
BS3F 3MXH 2004/A	4 x3	5,5 x3	4,1	5,8	500	1000
BS3F 3MXH 2005	5,5 x3	7,5 x3	5,4	7,3	750	1500
BS3F 3MXH-F 3202/B	4 x3	5,5 x3	2,1	2,9	1000	2000
BS3F 3MXH-F 3203/A	5,5 x3	7,5 x3	2,9	4,4	1000	2000
BS3F 3MXH-F 3204/A	7,5 x3	10 x3	4,3	6	1500	3000
BS3F 3MXH-F 4802/A	5,5 x3	7,5 x3	2,3	3,1	1500	3000
BS3F 3MXH-F 4803/A	7,5 x3	10 x3	3,2	4,7	1500	3000

## Performance

### BS..

PUMPS Nos						PUMP TYPE	P <sub>2</sub> For each pump	
1	2	3	4	5	6		kW	HP
BS1V	BS2V BS1V1F BSM1V1F* BSM2V**	BS3V BS1V2F	BS4V BS1V3F	BS5V BS1V4F	BS6V BS1V5F	MXH 203E	0,45	0,6
						MXH 204/A	0,55	0,75
						MXH 205/B	0,75	1
						MXH 206/C	1,1	1,5
						MXH 403/A	0,55	0,75
						MXH 404/B	0,75	1
						MXH 405/C	1,1	1,5
						MXH 406/A	1,5	2
						MXH 803/A	1,1	1,5
						MXH 804/A	1,5	2
						MXH 805/B	1,8	2,5
						MXH 1603/B	1,8	2,5
						MXH 1604/A	3	4
						MXH 1605/B	3,7	5
						MXH 1606/B	4	5,5
						MXH 2002/A	1,8	2,5
						MXH 2003	3	4
						MXH 2004/A	4	5,5
						MXH 2005	5,5	7,5
						MXH-F 3202/B	4	5,5
MXH-F 3203/A	5,5	7,5						
MXH-F 3204/A	7,5	10						
MXH-F 4802/A	5,5	7,5						
MXH-F 4803/A	7,5	10						

### BS.. ..-ITT

PUMPS Nos		PUMP TYPE	P <sub>2</sub> For each pump	
2	3		kW	HP
BS2V -ITT	BS3V -ITT	MXH 204/A-ITT	0,55	0,75
		MXH 205/B-ITT	0,75	1
		MXH 206/C-ITT	1,1	1,5
		MXH 403/A-ITT	0,55	0,75
		MXH 404/B-ITT	0,75	1
		MXH 405/C-ITT	1,1	1,5
		MXH 406/A-ITT	1,5	2
		MXH 803/A-ITT	1,1	1,5
		MXH 804/A-ITT	1,5	2
		MXH 805/B-ITT	1,8	2,5
		MXH 1603/B-ITT	1,8	2,5
		MXH 1604/A-ITT	3	4
		MXH 1605/B-ITT	3,7	5
		MXH 1606/B-ITT	4	5,5
		MXH 2001/A-ITT	1,1	1,5
		MXH 2002/A-ITT	1,8	2,5
		MXH 2003-ITT	3	4
		MXH 2004/A-ITT	4	5,5
		MXH 2005-ITT	5,5	7,5
		MXH-F 3201/B-ITT	2,2	3
MXH-F 3202/B-ITT	4	5,5		
MXH-F 3203/A-ITT	5,5	7,5		
MXH-F 3204/A-ITT	7,5	10		
MXH-F 4801/A-ITT	3	4		
MXH-F 4802/A-ITT	5,5	7,5		
MXH-F 4803/A-ITT	7,5	10		

(\*) SYSTEMS WITH:

- 1 variable speed pump three-phase motor
- 1 fixed speed pump single-phase motor
- Power supply to control panel 230 V single-phase

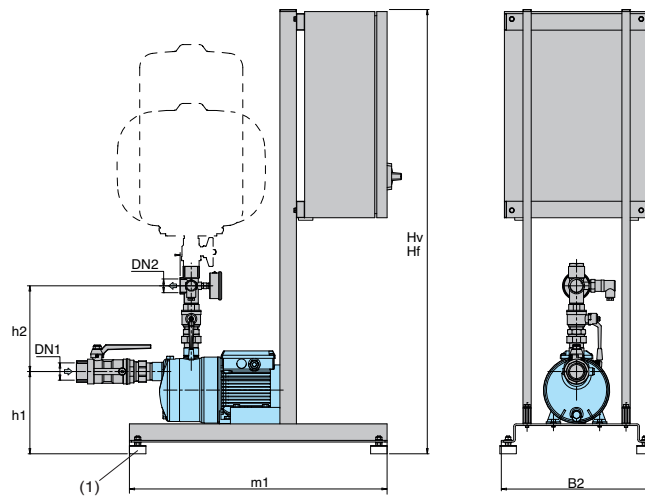
(\*\*) Three-phase motor 230 V.

- Power supply to control panel: - 230 V three-phase
- 230 V single-phase
- Frequency converter output is always 230 V three-phase.

### BS.. ..-EMT, EMM

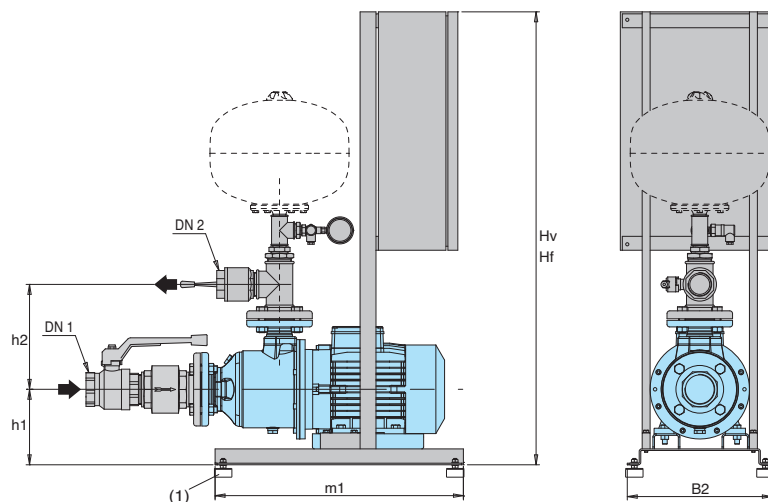
PUMPS Nos			PUMP TYPE	P <sub>2</sub> For each pump	
1	2	3		kW	HP
BSM1V -EMT -EMM	BSM2V -EMT	BSM3V -EMT	MXH 203E-EMT	0,45	0,6
			MXH 204/A-EMT	0,55	0,75
			MXH 205/B-EMT	0,75	1
			MXH 206/C-EMT	1,1	1,5
			MXH 403/A-EMT	0,55	0,75
			MXH 404/B-EMT	0,75	1
			MXH 405/C-EMT	1,1	1,5
			MXH 406/A-EMT	1,5	2
			MXH 803/A-EMT	1,1	1,5
			MXH 804/A-EMT	1,5	2
			MXH 805/B-EMT	1,8	2,5
			MXH 1602/A-EMT	1,5	2
			MXH 1603/B-EMT	1,8	2,5

## Dimensions and weights



TYPE	Connection		mm						weight kg
	DN 1	DN 2	Hv	Hf	h1	h2	m1	B2	
BS1.. 1MXH 203E									-
BS1.. 1MXH 204/A	G 1 1/4	G 1	1045	875	170	145	625	365	
BS1.. 1MXH 205/B									
BS1.. 1MXH 206/C									
BS1.. 1MXH 403/A									
BS1.. 1MXH 404/B	G 1 1/4	G 1	1045	875	170	145	625	365	
BS1.. 1MXH 405/C									
BS1.. 1MXH 406/A									
BS1.. 1MXH 803/A									
BS1.. 1MXH 804/A	G 1 1/2	G 1	1045	875	170	145	625	365	
BS1.. 1MXH 805/B									
BS1.. 1MXH 1603/B									
BS1.. 1MXH 1604/A	G 1 1/2	G 1 1/2	1045	875	175	195	625	365	
BS1.. 1MXH 1605/B									
BS1.. 1MXH 1606/B									

Dimensions not binding to be verified when ordering (1) Anti-vibration pads kit supplied loose as standard

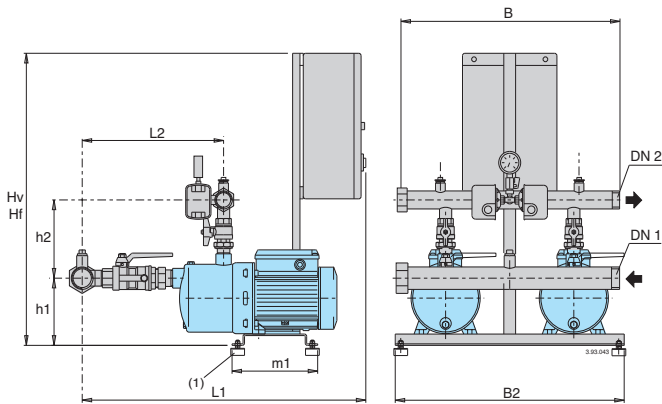


TYPE	Connection		mm						weight kg
	DN 1	DN 2	Hv	Hf	h1	h2	m1	B2	
BS1.. 1MXH 2002/A									
BS1.. 1MXH 2003	G 2	G 1 1/2	1045	875	195	197	625	365	
BS1.. 1MXH 2004/A									
BS1.. 1MXH 2005			1145	1145					
BS1.. 1MXH-F 3202/B									
BS1.. 1MXH-F 3203/A	65	50	1045	875	195	265	625	365	
BS1.. 1MXH-F 3204/A									
BS1.. 1MXH-F 4802/A	80	65	1145	1145	195	275	625	365	
BS1.. 1MXH-F 4803/A									

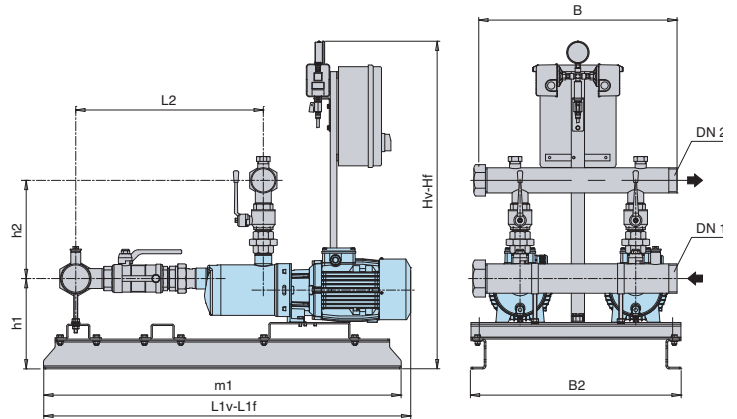
Dimensions not binding to be verified when ordering (1) Anti-vibration pads kit supplied loose as standard

## Dimensions and weights

### BS.. 2MXH 2,4,8



### BS.. 2MXH 16

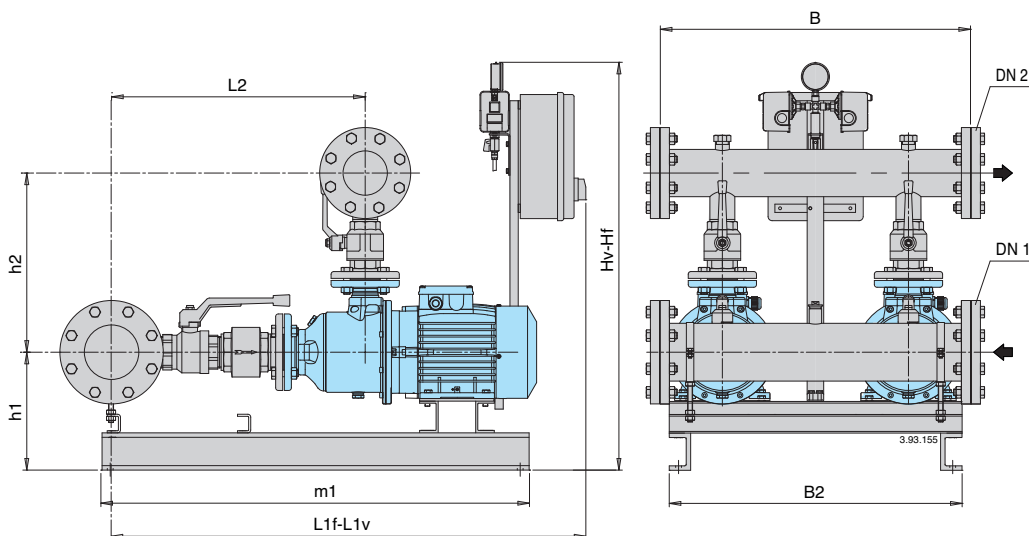


TYPE	Connection		mm									weight	
	DN 1	DN 2	Hf	Hv	h1	h2	L1f	L1v	L2	m1	B2	B	kg
BS.. 2MXH 203E	G 2	G 1 1/2	840	-	162	202	773	-	335				42
BS.. 2MXH 204/A	G 2	G 1 1/2	840	-	162	202	796	-	358				47
BS.. 2MXH 205/B	G 2	G 1 1/2	840	-	162	202	820	-	382				50
BS.. 2MXH 206/C	G 2	G 1 1/2	840	-	162	202	845	-	406				54
BS.. 2MXH 403/A	G 2	G 1 1/2	840	-	162	202	773	-	335				46
BS.. 2MXH 404/B	G 2	G 1 1/2	840	-	162	202	796	-	358				49
BS.. 2MXH 405/C	G 2	G 1 1/2	840	-	162	202	820	-	382	235	625	600	53
BS.. 2MXH 406/A	G 2	G 1 1/2	840	-	162	202	845	-	406				57
BS.. 2MXH 803/A	G 2 1/2	G 2	840	-	162	208	866	-	428				61
BS.. 2MXH 804/A	G 2 1/2	G 2	840	-	162	208	896	-	458				66
BS.. 2MXH 805/B	G 2 1/2	G 2	840	-	162	208	926	-	488				68
BS.. 2MXH 1603/B	G 3	G 2 1/2	1040	980	258	281	1050	1115	490				-
BS.. 2MXH 1604/A	G 3	G 2 1/2	1040	980	273	281	1085	1150	530	1090	625	600	-
BS.. 2MXH 1605/B	G 3	G 2 1/2	1040	980	273	281	1120	1185	565				-
BS.. 2MXH 1606/B	G 3	G 2 1/2	1040	980	273	281	1178	1245	605				-
BS.. 2MXH 2002/A	G 3	G 2 1/2	1040	980	220	351	1155	1220	484				-
BS.. 2MXH 2003	G 3	G 2 1/2	1040	980	230	351	1155	1220	503	1090	625	600	-
BS.. 2MXH 2004/A	G 3	G 2 1/2	1040	980	230	351	1180	1245	537				-
BS.. 2MXH 2005	G 3	G 2 1/2	1040	980	252	351	1230	1295	572				-

Dimensions not binding to be verified when ordering

(1) Anti-vibration pads kit supplied loose as standard

Hf= Fixed speed boosting sets  
Hv= Variable speed boosting sets



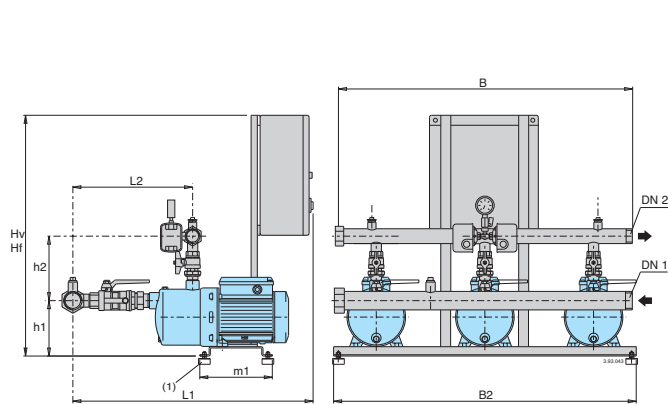
TYPE	Connection		mm									weight	
	DN 1	DN 2	Hf	Hv	h1	h2	L1f	L1v	L2	m1	B2	B	kg
BS.. 2MXH-F 3202/B	100	80	1510	-	298	402	1265	-	558	1175			214
BS.. 2MXH-F 3203	100	80	1510	-	298	402	1270	-	604	1150			243
BS.. 2MXH-F 3204/A	100	80	1510	-	298	402	1320	-	650	1175	750	750	260
BS.. 2MXH-F 4802/A	125	100	1510	-	298	465	1380	-	654	1175			268
BS.. 2MXH-F 4803/A	125	100	1510	-	298	465	1420	-	716	1220			286

Dimensions not binding to be verified when ordering

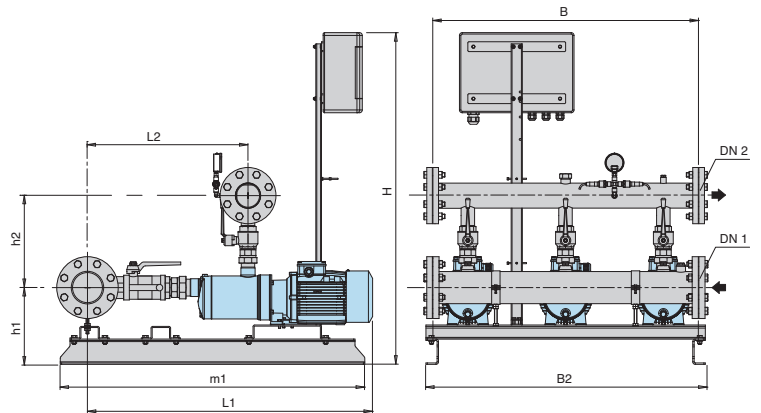


## Dimensions and weights

### BS.. 3MXH 2,4,8



### BS.. 3MXH 16

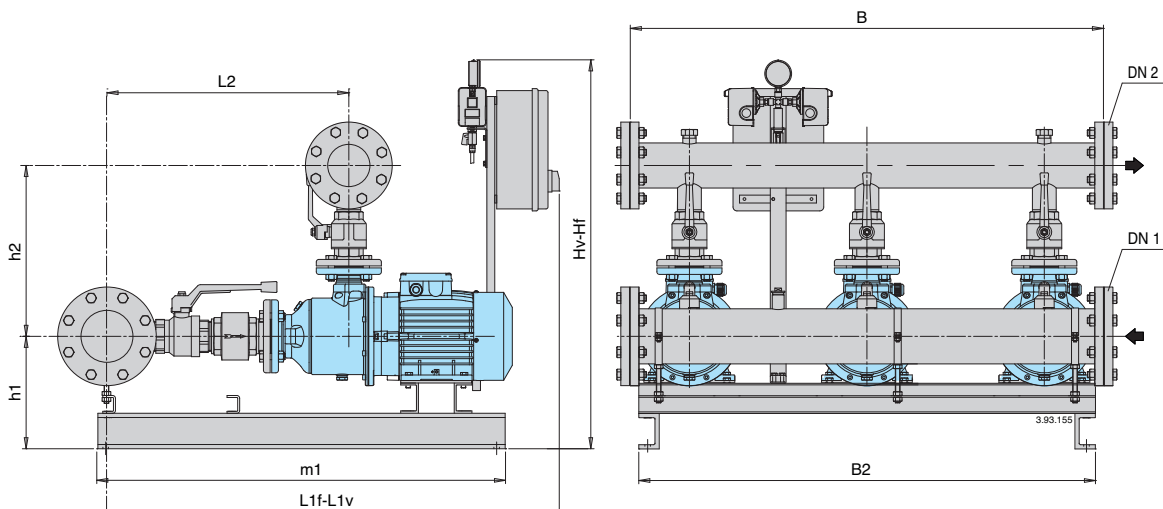


TYPE	Connection		mm										weight kg
	DN 1	DN 2	Hf	Hv	h1	h2	L1f	L1v	L2	m1	B2	B	
BS.. 3MXH 203E	G 2 1/2	G 2	840	-	162	202	773	-	335	305	1000	950	-
BS.. 3MXH 204/A	G 2 1/2	G 2	840	-	162	202	796	-	358				-
BS.. 3MXH 205/B	G 2 1/2	G 2	840	-	162	202	820	-	382				-
BS.. 3MXH 206/C	G 2 1/2	G 2	840	-	162	202	845	-	406				-
BS.. 3MXH 403/A	G 2 1/2	G 2	840	-	162	202	773	-	335				-
BS.. 3MXH 404/B	G 2 1/2	G 2	840	-	162	202	796	-	358				-
BS.. 3MXH 405/C	G 2 1/2	G 2	840	-	162	202	820	-	382				-
BS.. 3MXH 406/A	G 2 1/2	G 2	840	-	162	202	845	-	406				-
BS.. 3MXH 803/A	G 3	G 2 1/2	840	-	162	208	866	-	428				-
BS.. 3MXH 804/A	G 3	G 2 1/2	840	-	162	208	896	-	458				-
BS.. 3MXH 805/B	G 3	G 2 1/2	840	-	162	208	926	-	488	-			
BS.. 3MXH 1603/B	DN 100	DN 80	1060	1550	258	327	1096	1100	500	1090	1000	950	-
BS.. 3MXH 1604/A	DN 100	DN 80	1060	1550	273	327	1131	1135	538				-
BS.. 3MXH 1605/B	DN 100	DN 80	1060	1550	273	327	1167	1171	575				-
BS.. 3MXH 1606/B	DN 100	DN 80	1060	1550	273	327	1227	1231	613				-
BS.. 3MXH 2002/A	DN 100	DN 80	1060	1550	290	398	1166	1170	499	1090	1000	950	-
BS.. 3MXH 2003	DN 100	DN 80	1060	1550	290	398	1166	1170	518				-
BS.. 3MXH 2004/A	DN 100	DN 80	1060	1550	290	398	1226	1230	553				-
BS.. 3MXH 2005	DN 100	DN 80	1060	1550	252	398	1241	1245	587				-

Dimensions not binding to be verified when ordering

(1) Anti-vibration pads kit supplied loose as standard

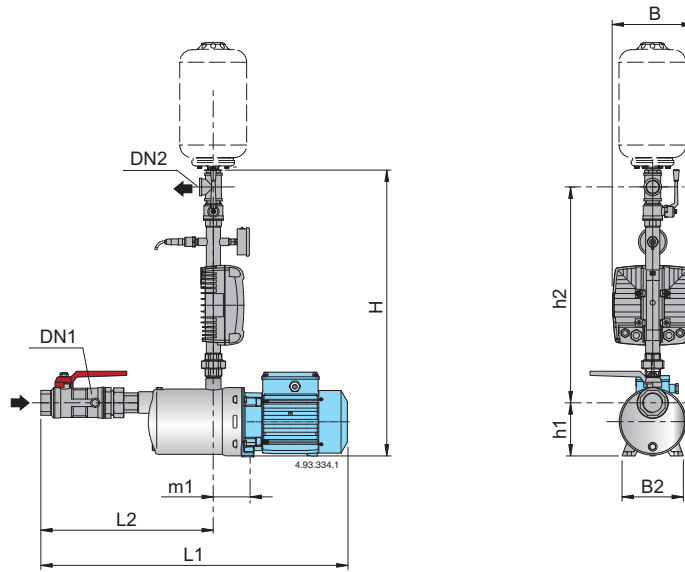
Hf= Fixed speed boosting sets  
Hv= Variable speed boosting sets



TYPE	Connection		mm										weight kg
	DN 1	DN 2	Hf	Hv	h1	h2	L1f	L1v	L2	m1	B2	B	
BS.. 3MXH-F 3202/B	125	100	1510	-	318	415	1265	-	565	1175	1150	1200	-
BS.. 3MXH-F 3203/A	125	100	1510	-	318	415	1270	-	617	1060			-
BS.. 3MXH-F 3204/A	125	100	1510	-	318	415	1320	-	660	1175			-
BS.. 3MXH-F 4802/A	150	125	1510	-	318	465	1380	-	665	1175			-
BS.. 3MXH-F 4803/A	150	125	1510	-	318	465	1420	-	725	1220	-		

Dimensions not binding to be verified when ordering

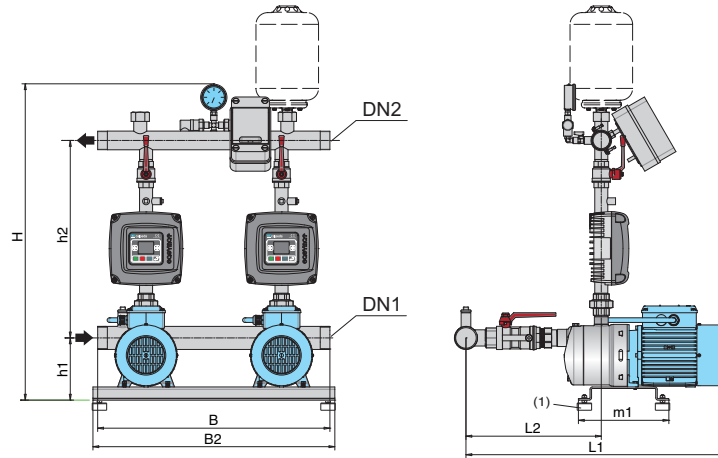
## Characteristic and dimensions



Mains: 1~ 230V Motor: 3~ 230V	mains A	motor A	Mains: 1~ 230V Motor: 1~ 230V	A	P2		Connection		mm							
					kW	HP	DN1	DN2	H	h1	h2	L1	L2	m1	B	B2
BSM1V 1MXH 203E-EMT	3,2	2,4	BSM1V 1MXHM 203E-EMM	3	0,45	0,6	G 1 1/4	G 1	708	127	516	511	274	88	165	146
BSM1V 1MXH 204/A-EMT	4	2,8	BSM1V 1MXHM 204/A-EMM	4,2	0,55	0,75						561	298			
BSM1V 1MXH 205/B-EMT	5	3,5	BSM1V 1MXHM 205/A-EMM	5,4	0,75	1						585	322			
BSM1V 1MXH 206/C-EMT	6,3	4,7	BSM1V 1MXHM 206-EMM	7,4	1,1	1,5	G 1 1/4	G 1	708	127	516	609	346	88	165	146
BSM1V 1MXH 403/A-EMT	4	2,8	BSM1V 1MXHM 403/A-EMM	4,2	0,55	0,75						537	274			
BSM1V 1MXH 404/B-EMT	5	3,5	BSM1V 1MXHM 404/A-EMM	5,4	0,75	1						561	298			
BSM1V 1MXH 405/C-EMT	6,7	4,7	BSM1V 1MXHM 405-EMM	7,4	1,1	1,5	G 1 1/2	G 1	708	127	516	585	322	88	165	146
BSM1V 1MXH 406/A-EMT	8	6,2			1,5	2						680	346			
BSM1V 1MXH 803/A-EMT	7,1	5	BSM1V 1MXHM 803-EMM	7,4	1,1	1,5						657	323			
BSM1V 1MXH 804/A-EMT	8,6	6,2			1,5	2	G 2	G 1 1/2	750	117	560	687	353	101	165	146
BSM1V 1MXH 805/B-EMT	10,7	7,5			1,8	2,5						717	383			
BSM1V 1MXH 1602/A-EMT	9,1	6,2			1,5	2						752	404			
BSM1V 1MXH 1603/B-EMT	10,7	7,5			1,8	2,5	752	404								

Dimensions not binding to be verified when ordering

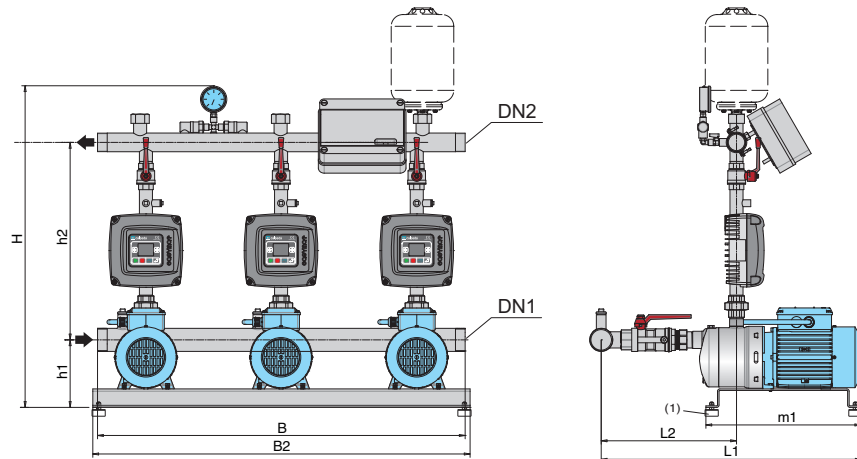
## Characteristic and dimensions



Mains: 1~ 230V Motor: 3~ 230V	mains A	motor A	P2		Connection		mm							
			kW	HP	DN1	DN2	H	h1	h2	L1	L2	m1	B	B2
BSM2V 2MXH 203E-EMT	2x3,2	2x2,4	2x0,45	2x0,6	G 2	G 1 1/2	848	161	506	563	326	240	600	625
BSM2V 2MXH 204/A-EMT	2x4	2x2,8	2x0,55	2x0,75						613	350			
BSM2V 2MXH 205/B-EMT	2x5	2x3,5	2x0,75	2x1						637	374			
BSM2V 2MXH 206/C-EMT	2x6,3	2x4,7	2x1,1	2x1,5	G 2	G 1 1/2	848	161	506	661	398	240	600	625
BSM2V 2MXH 403/A-EMT	2x4	2x2,8	2x0,55	2x0,75						589	326			
BSM2V 2MXH 404/B-EMT	2x5	2x3,5	2x0,75	2x1						613	350			
BSM2V 2MXH 405/C-EMT	2x6,7	2x4,7	2x1,1	2x1,5	G 2 1/2	G 2	854	161	512	637	374	240	600	625
BSM2V 2MXH 406/A-EMT	2x8	2x6,2	2x1,5	2x2						732	398			
BSM2V 2MXH 803/A-EMT	2x7,1	2x5	2x1,1	2x1,5						727	393			
BSM2V 2MXH 804/A-EMT	2x8,6	2x6,2	2x1,5	2x2	G 2 1/2	G 2	854	161	512	757	423	240	600	625
BSM2V 2MXH 805/B-EMT	2x10,7	2x7,5	2x1,8	2x2,5						787	453			
BSM2V 2MXH 1602/A-EMT	2x9,1	2x6,2	2x1,5	2x2						829	481			
BSM2V 2MXH 1603/B-EMT	2x10,7	2x7,5	2x1,8	2x2,5	G 3	G 2 1/2	882	151	551	829	481	240	600	625
										829	481			

Dimensions not binding to be verified when ordering

(1) Anti-vibration pads kit supplied loose as standard



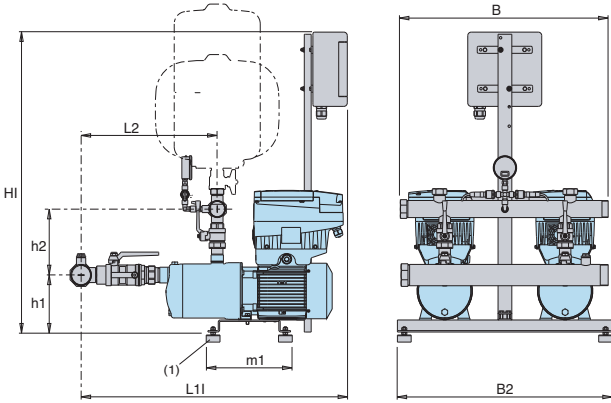
Mains: 1~ 230V Motor: 3~ 230V	mains A	motor A	P2		Connection		mm							
			kW	HP	DN1	DN2	H	h1	h2	L1	L2	m1	B	B2
BSM3V 3MXH 203E-EMT	3x3,2	3x2,4	3x0,45	3x0,6	G 2	G 1 1/2	848	161	506	563	326	240	600	625
BSM3V 3MXH 204/A-EMT	3x4	3x2,8	3x0,55	3x0,75						613	350			
BSM3V 3MXH 205/B-EMT	3x5	3x3,5	3x0,75	3x1						637	374			
BSM3V 3MXH 206/C-EMT	3x6,3	3x4,7	3x1,1	3x1,5	G 2	G 1 1/2	848	161	506	661	398	240	600	625
BSM3V 3MXH 403/A-EMT	3x4	3x2,8	3x0,55	3x0,75						589	326			
BSM3V 3MXH 404/B-EMT	3x5	3x3,5	3x0,75	3x1						613	350			
BSM3V 3MXH 405/C-EMT	3x6,7	3x4,7	3x1,1	3x1,5	G 2 1/2	G 2	854	161	512	637	374	240	600	625
BSM3V 3MXH 406/A-EMT	3x8	3x6,2	3x1,5	3x2						732	398			
BSM3V 3MXH 803/A-EMT	3x7,1	3x5	3x1,1	3x1,5						727	393			
BSM3V 3MXH 804/A-EMT	3x8,6	3x6,2	3x1,5	3x2	G 2 1/2	G 2	854	161	512	757	423	240	600	625
BSM3V 3MXH 805/B-EMT	3x10,7	3x7,5	3x1,8	3x2,5						787	453			
BSM3V 3MXH 1602/A-EMT	3x9,1	3x6,2	3x1,5	3x2						829	481			
BSM3V 3MXH 1603/B-EMT	3x10,7	3x7,5	3x1,8	3x2,5	G 3	G 2 1/2	882	151	551	829	481	240	600	625
										829	481			

Dimensions not binding to be verified when ordering

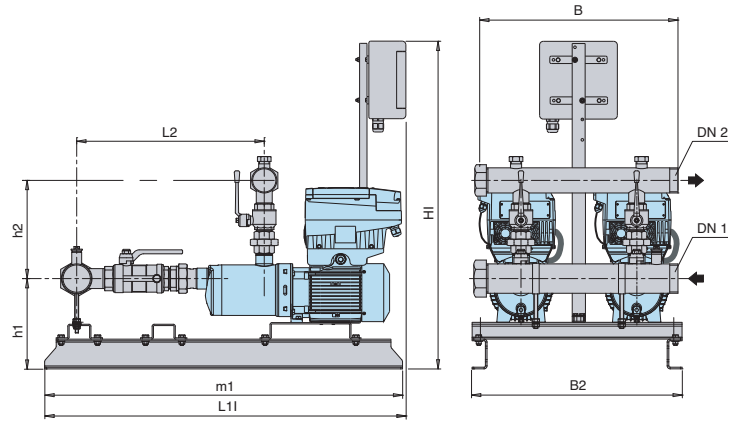
(1) Anti-vibration pads kit supplied loose as standard

## Dimensions and weights

### BS.. 2MXH 2,4,8



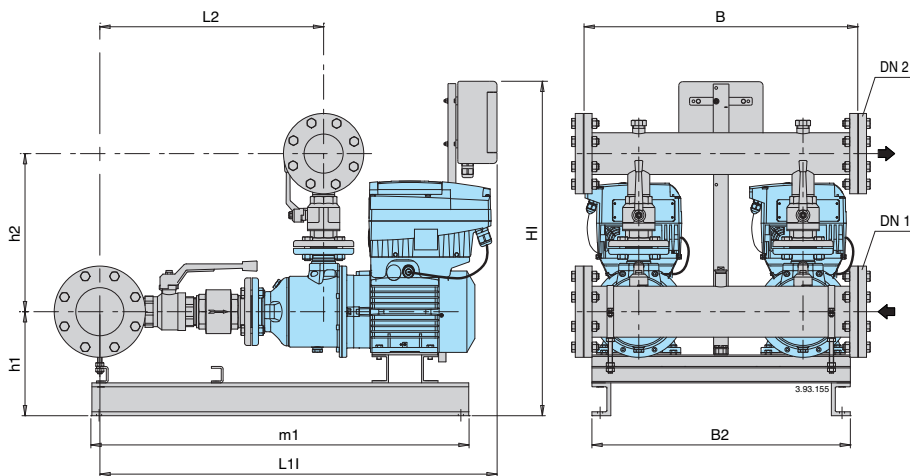
### BS.. 2MXH 16



TYPE	Motor			Connection		mm							weight kg	
	kW	HP	A	DN 1	DN 2	HI	h1	h2	L11	L2	m1	B2		B
BS2V 2MXH 204/A-ITT	0,55 x2	0,75 x2	1,6 x2	G 2	G 1 1/2	848	162	187	725	347				47
BS2V 2MXH 205/B-ITT	0,75 x2	1 x2	2 x2	G 2	G 1 1/2	848	162	187	749	371				50
BS2V 2MXH 206/C-ITT	1,1 x2	1,5 x2	2,7 x2	G 2	G 1 1/2	848	162	187	773	395				54
BS2V 2MXH 403/A-ITT	0,55 x2	0,75 x2	1,6 x2	G 2	G 1 1/2	848	162	187	701	323				46
BS2V 2MXH 404/B-ITT	0,75 x2	1 x2	2 x2	G 2	G 1 1/2	848	162	187	725	347				49
BS2V 2MXH 405/C-ITT	1,1 x2	1,5 x2	2,7 x2	G 2	G 1 1/2	848	162	187	749	371				53
BS2V 2MXH 406/A-ITT	1,5 x2	2 x2	3,6 x2	G 2	G 1 1/2	848	162	187	773	395	235	625	600	57
BS2V 2MXH 803/A-ITT	1,1 x2	1,5 x2	2,7 x2	G 2 1/2	G 2	848	162	193	764	386				61
BS2V 2MXH 804/A-ITT	1,5 x2	2 x2	3,6 x2	G 2 1/2	G 2	848	162	193	794	416				66
BS2V 2MXH 805/B-ITT	1,8 x2	2,5 x2	4,3 x2	G 2 1/2	G 2	848	162	193	830	446				68
BS2V 2MXH 1603/B-ITT	1,8 x2	2,5 x2	4,3 x2	G 3	G 2 1/2	980	258	281	1065	490				87
BS2V 2MXH 1604/A-ITT	3 x2	4 x2	6,6 x2	G 3	G 2 1/2	980	273	281	1100	530				114
BS2V 2MXH 1605/B-ITT	3,7 x2	5 x2	9,6 x2	G 3	G 2 1/2	980	273	281	1133	565				122
BS2V 2MXH 1606/B-ITT	4 x2	5,5 x2	9,6 x2	G 3	G 2 1/2	980	273	281	1192	605				124
BS2V 2MXH 2001/A-ITT	1,1 x2	1,5 x2	2,7 x2	G 3	G 2 1/2	980	220	351	1170	484				
BS2V 2MXH 2002/A-ITT	1,8 x2	2,5 x2	5,3 x2	G 3	G 2 1/2	980	220	351	1170	484	1090	625	600	
BS2V 2MXH 2003-ITT	3 x2	4 x2	6,6 x2	G 3	G 2 1/2	980	230	351	1170	503				
BS2V 2MXH 2004/A-ITT	4 x2	5,5 x2	9,6 x2	G 3	G 2 1/2	980	230	351	1195	537				
BS2V 2MXH 2005-ITT	5,5 x2	7,5 x2	10,9 x2	G 3	G 2 1/2	980	252	351	1245	572				

Dimensions not binding to be verified when ordering

(1) Anti-vibration pads kit supplied loose as standard



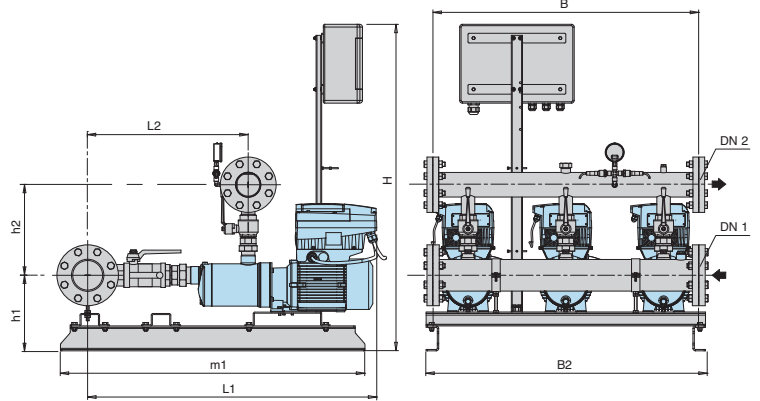
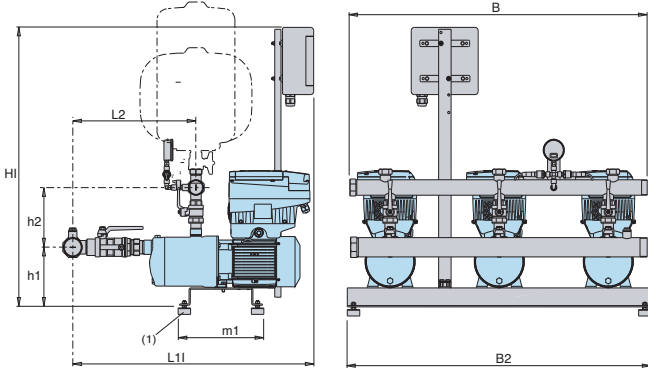
TYPE	Motor			Connection		mm							weight kg	
	kW	HP	A	DN 1	DN 2	HI	h1	h2	L11	L2	m1	B2		B
BS2V 2MXH-F 3201/B-ITT	2,2 x2	3 x2	5,3 x2	100	80	1100	266	402	1164	558	990			214
BS2V 2MXH-F 3202/B-ITT	4 x2	5,5 x2	9,6 x2	100	80	1180	298	402	1180	558	1010			243
BS2V 2MXH-F 3203/A-ITT	5,5 x2	7,5 x2	10,9 x2	100	80	1180	298	402	1274	604	1050			260
BS2V 2MXH-F 3204/A-ITT	7,5 x2	10 x2	14,3 x2	100	80	1180	298	402	1320	650	1110			
BS2V 2MXH-F 4801/A-ITT	3 x2	4 x2	6,6 x2	125	100	1198	298	468	1250	654	1010	750	750	268
BS2V 2MXH-F 4802/A-ITT	5,5 x2	7,5 x2	10,9 x2	125	100	1198	298	468	1306	654	1065			286
BS2V 2MXH-F 4803/A-ITT	7,5 x2	10 x2	14,3 x2	125	100	1198	298	468	1367	716	1110			

Dimensions not binding to be verified when ordering

## Dimensions and weights

### BS.. 3MXH 2,4,8

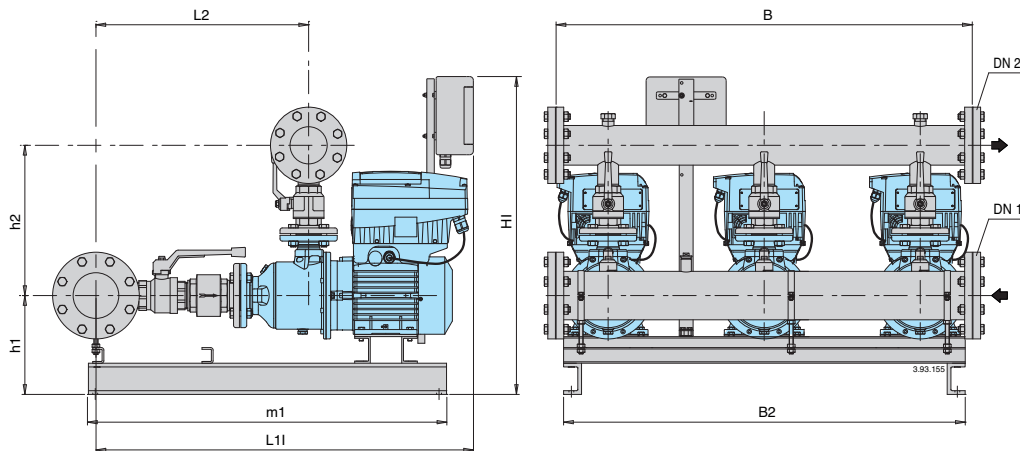
### BS.. 3MXH 16



TYPE	Motor			Connection		mm									weight kg
	kW	HP	A	DN 1	DN 2	H1	h1	h2	L1	L2	m1	B2	B		
BS3V 3MXH 204/A-ITT	0,55 x3	0,75 x3	1,6 x3	G 2 1/2	G 2	913	227	193	857	356	423	1000	950	-	
BS3V 3MXH 205/B-ITT	0,75 x3	1 x3	2 x3	G 2 1/2	G 2	913	227	193	881	380					
BS3V 3MXH 206/C-ITT	1,1 x3	1,5 x3	2,7 x3	G 2 1/2	G 2	913	227	193	905	404					
BS3V 3MXH 403/A-ITT	0,55 x3	0,75 x3	1,6 x3	G 2 1/2	G 2	913	227	193	833	332					
BS3V 3MXH 404/B-ITT	0,75 x3	1 x3	2 x3	G 2 1/2	G 2	913	227	193	857	356					
BS3V 3MXH 405/C-ITT	1,1 x3	1,5 x3	2,7 x3	G 2 1/2	G 2	913	227	193	881	390					
BS3V 3MXH 406/A-ITT	1,5 x3	2 x3	3,6 x3	G 2 1/2	G 2	913	227	193	905	404					
BS3V 3MXH 803/A-ITT	1,1 x3	1,5 x3	2,7 x3	G 3	G 2 1/2	913	227	193	905	404					
BS3V 3MXH 804/A-ITT	1,5 x3	2 x3	3,6 x3	G 3	G 2 1/2	913	227	193	933	432					
BS3V 3MXH 805/B-ITT	1,8 x3	2,5 x3	4,3 x3	G 3	G 2 1/2	913	227	193	950	449					
BS3V 3MXH 1603/B-ITT	1,8 x3	2,5 x3	4,3 x3	DN 100	DN 80	980	258	321	1100	500	1090	1000	950	-	
BS3V 3MXH 1604/A-ITT	3 x3	4 x3	6,6 x3	DN 100	DN 80	980	273	321	1135	538					
BS3V 3MXH 1605/B-ITT	3,7 x3	5 x3	9,6 x3	DN 100	DN 80	980	273	321	1171	575					
BS3V 3MXH 1606/B-ITT	4 x3	5,5 x3	9,6 x3	DN 100	DN 80	980	273	321	1231	613					
BS3V 3MXH 2001/A-ITT	1,1 x3	1,5 x3	2,7 x3	DN 100	DN 80	980	290	391	1170	499					
BS3V 3MXH 2002/A-ITT	1,8 x3	2,5 x3	5,3 x3	DN 100	DN 80	980	290	391	1170	499					
BS3V 3MXH 2003-ITT	3 x3	4 x3	6,6 x3	DN 100	DN 80	980	290	391	1170	518					
BS3V 3MXH 2004/A-ITT	4 x3	5,5 x3	9,6 x3	DN 100	DN 80	980	290	391	1230	553					
BS3V 3MXH 2005-ITT	5,5 x3	7,5 x3	10,9 x3	DN 100	DN 80	980	252	391	1245	587					

Dimensions not binding to be verified when ordering

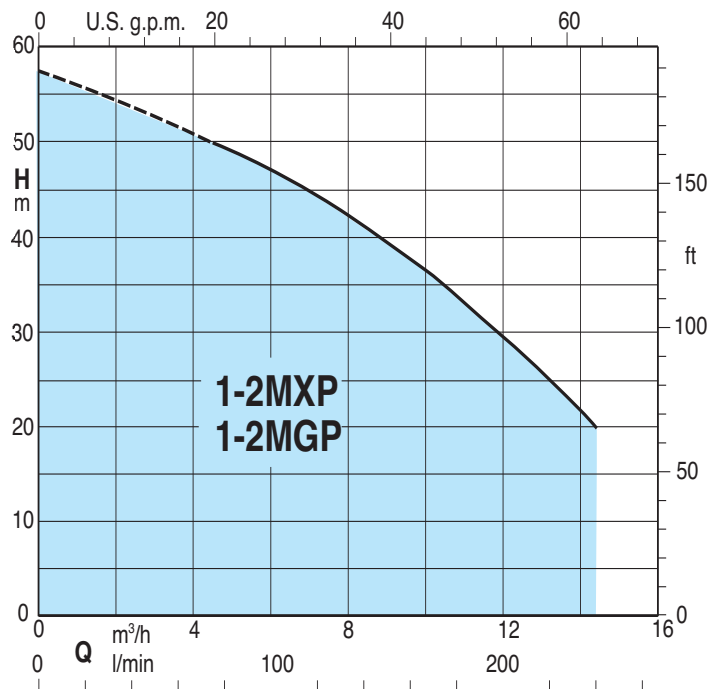
(1) Anti-vibration pads kit supplied loose as standard



TYPE	Motor			Connection		mm									weight kg
	kW	HP	A	DN 1	DN 2	H1	h1	h2	L1	L2	m1	B2	B		
BS3V 3MXH-F 3201/B-ITT	2,2 x3	3 x3	5,3 x3	125	100	1246	286	415	1164	571	1010	1150	1200	-	
BS3V 3MXH-F 3202/B-ITT	4 x3	5,5 x3	9,6 x3	125	100	1246	318	415	1180	571	1065				
BS3V 3MXH-F 3203/A-ITT	5,5 x3	7,5 x3	10,9 x3	125	100	1246	318	415	1096	617	1060				
BS3V 3MXH-F 3204/A-ITT	7,5 x3	10 x3	14,3 x3	125	100	1246	318	415	1320	663	1110				
BS3V 3MXH-F 4801/A-ITT	3 x3	4 x3	6,6 x3	150	125	1246	316	480	1272	668	1010				
BS3V 3MXH-F 4802/A-ITT	5,5 x3	7,5 x3	10,9 x3	150	125	1246	316	480	1320	668	1065				
BS3V 3MXH-F 4803/A-ITT	7,5 x3	10 x3	14,3 x3	150	125	1246	316	480	1381	750	1110				

Dimensions not binding to be verified when ordering

## Coverage chart



## Operation

**BS 2F** **Pressure boosting sets with 2 fixed speed pump.**  
Depending on the reduction of the pressure in the system, the pressure switches determine the starting up of the pumps in sequence and the microprocessor alternates the starts.

**BS1-3V** **Pressure boosting sets with 1 to 3 variable speed pumps (with EASYMAT).**  
Depending on water consumption, one or more pumps are activated, all at variable speed, in order to guarantee the quantity of water required at the set pressure.

**BS1V1F** **Pressure boosting sets with 1 variable speed pump (with frequency converter into the control panel) and from 1 fixed speed pump**  
According to the water consumption, one or more pumps start, one at variable speed and the others at fixed speed, to grant the water quantity required at the set pressure.

**BS2V** **Pressure boosting sets with two variable speed pumps (with frequency converter into the control panel).**  
Depending on water consumption, one or more pumps are activated, all at variable speed, in order to guarantee the quantity of water required at the set pressure.

## Construction

- Automatic pressure boosting plant consisting of 1 to 3 horizontal multi-stage pumps complete with ball, non return valve on the suction side and ball valves on the delivery side.

**Suction and delivery manifolds for boosting sets with 2,3 pumps:**  
- stainless steel AISI 304.  
Connections are located on the delivery manifold for the installation of vessels G1 connection.

### Electrical control boards:

- with microprocessor for fixed speed pump units. Motor starting is D.O.L.  
- with frequency converter for variable speed pump units.

The unit includes one pressure gauge and three adjustable differential pressure switches or pressure transducer.

## Applications

To supply water in civil and industrial buildings.  
As pressure boosting pump to increase water pressure when needed (follow local rules).

## Motors

2-pole induction motors, 50 Hz,  $n \approx 2900$  rpm, suitable for operation with frequency converter.

- Three-phase 230/400V  $\pm 10\%$  up to 3 kW;  
400/690V  $\pm 10\%$  for 4 kW to 7,5 kW;

- Single-phase 230 V  $\pm 10\%$ , with thermal protector.

Insulation class F.

Protection IP 54.

Constructed in accordance with: IEC 60034.

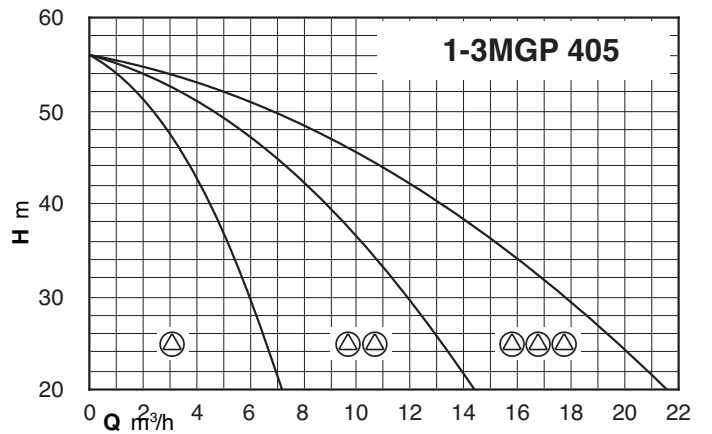
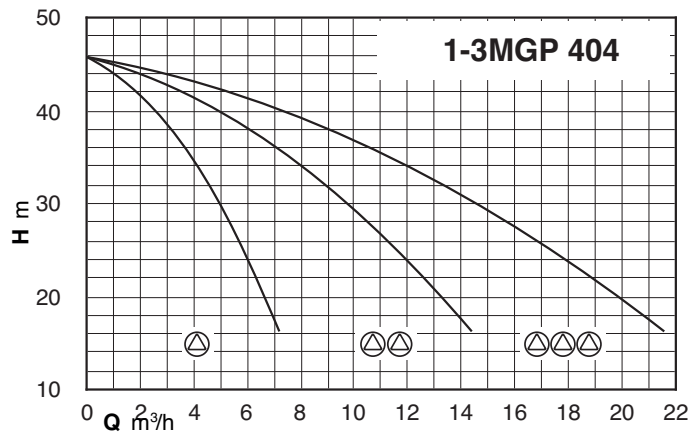
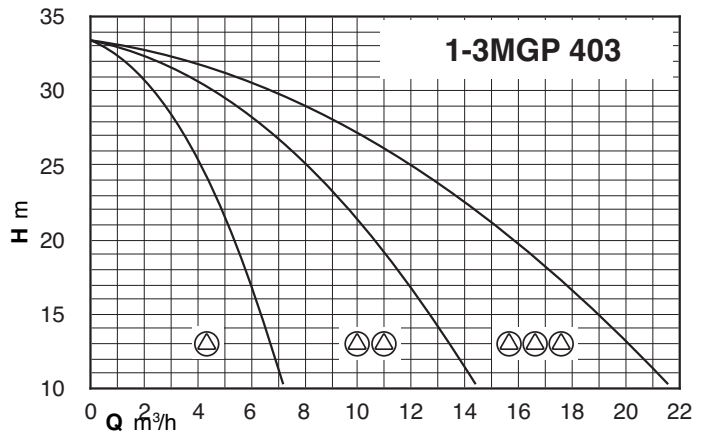
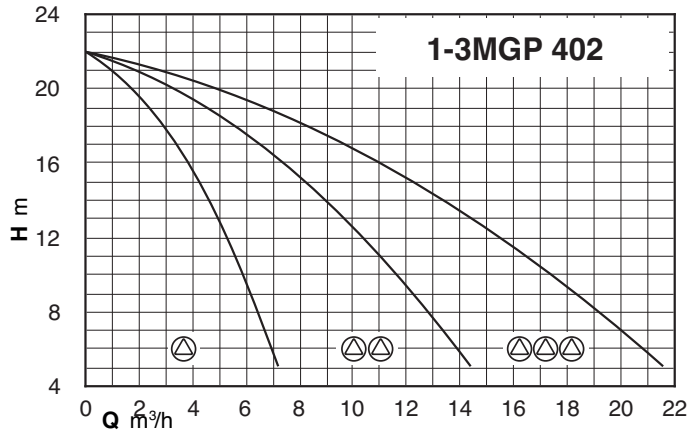
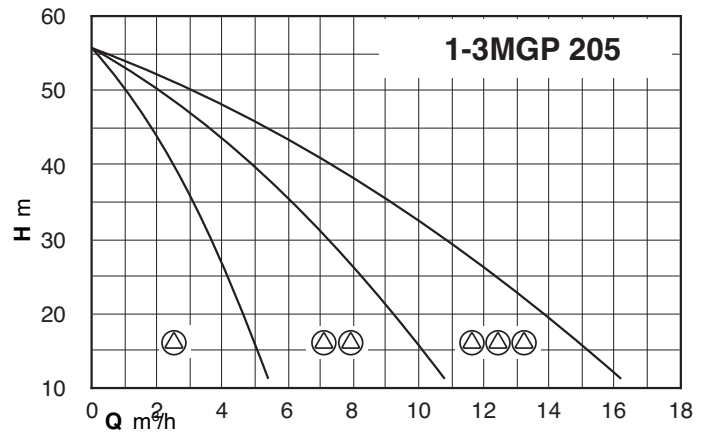
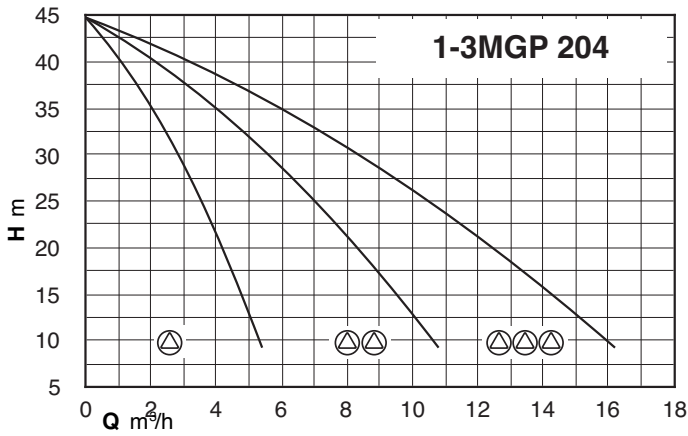
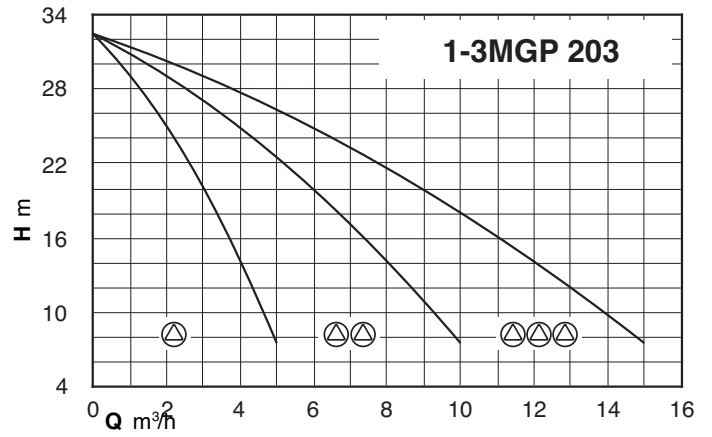
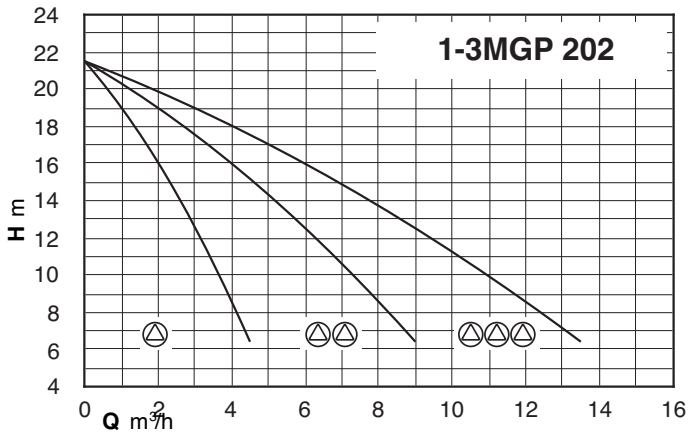
Other voltages and frequencies on request.

## Vessels on request

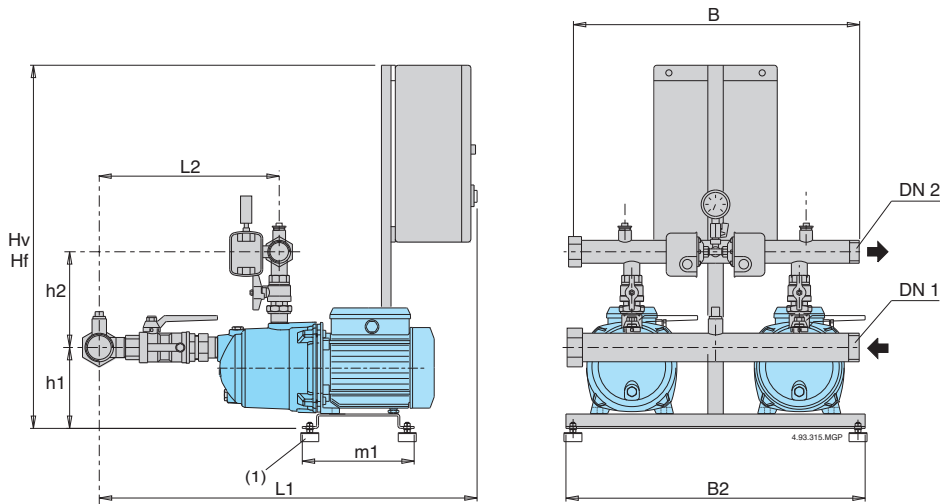
When installing the unit, connect in the delivery section to a diaphragm or galvanised tank.

The recommended sized are shown in the following page.

## Coverage chart



## Characteristic, dimensions and weights



(1) Anti-vibration pads kit supplied loose as standard

Hf= Fixed speed boosting sets  
Hv= Variable speed boosting sets

### BS2F BSM2F

Mains: 400V 3~ Motor: 400V 3~	Mains: 230V 1~ Motor: 230V 1~	Motor		Q <sub>max</sub> * l/min	Pres. switch setting		Connection		mm								Weight kg	Vessel	
		kW	HP		bar	bar	DN <sub>1</sub>	DN <sub>2</sub>	H	h1	h2	L1	L2	m1	B2	B		Mem.	Vessel
BS2F 2MGP 203	BSM2F 2MGPM 203	0,45+0,45	0,6+0,6	155	1,4÷2,6	1,0÷2,2	G 2	G 1 1/2	840	151	206	793	355	235	625	600	41	24x2	100
BS2F 2MGP 204	BSM2F 2MGPM 204	0,55+0,55	0,75+0,75	160	2,0÷3,2	1,5÷2,7	G 2	G 1 1/2	840	151	206	793	355				46	24x2	100
BS2F 2MGP 205/A	BSM2F 2MGPM 205	0,75+0,75	1+1	160	3,0÷4,5	2,5÷4,0	G 2	G 1 1/2	840	151	206	793	355				52	24x2	100
BS2F 2MGP 403	BSM2F 2MGPM 403	0,55+0,55	0,75+0,75	230	1,2÷2,4	0,9÷2,1	G 2	G 1 1/2	840	151	206	793	355				46	24x2	100
BS2F 2MGP 404/A	BSM2F 2MGPM 404	0,75+0,75	1+1	220	2,4÷3,6	2,0÷3,2	G 2	G 1 1/2	840	151	206	793	355				48	80	200
BS2F 2MGP 405	BSM2F 2MGPM 405	1,1+1,1	1,5+1,5	220	3,0÷4,5	2,5÷4,0	G 2	G 1 1/2	840	151	206	793	355				54	80	200

\* Maximum pumps flow at minimum set pressure of 2<sup>nd</sup> pressure switch.

### BS1V1F BSM1V1F

Mains: 400V 3~ Motor: 400V 3~	Mains: 230V 1~ Motor: 230V 3~ and 230V 1~	Motor		Connection		mm								Weight kg	Vessel	
		kW	HP	DN <sub>1</sub>	DN <sub>2</sub>	H	h1	h2	L1	L2	m1	B2	B		Membrane	litre
BS1V1F 2MGP 203	BSM1V1F 2MGP 203	0,45+0,45	0,6+0,6	G 2	G 1 1/2	1100	151	206	793	355	235	625	600	41	24x2	
BS1V1F 2MGP 204	BSM1V1F 2MGP 204	0,55+0,55	0,75+0,75	G 2	G 1 1/2	1100	151	206	793	355				46	24x2	
BS1V1F 2MGP 205/A	BSM1V1F 2MGP 205	0,75+0,75	1+1	G 2	G 1 1/2	1100	151	206	793	355				52	24x2	
BS1V1F 2MGP 403	BSM1V1F 2MGP 403	0,55+0,55	0,75+0,75	G 2	G 1 1/2	1100	151	206	793	355				46	24x2	
BS1V1F 2MGP 404/A	BSM1V1F 2MGP 404	0,75+0,75	1+1	G 2	G 1 1/2	1100	151	206	793	355				48	24x2	
BS1V1F 2MGP 405	BSM1V1F 2MGP 405	1,1+1,1	1,5+1,5	G 2	G 1 1/2	1100	151	206	793	355				54	24x2	

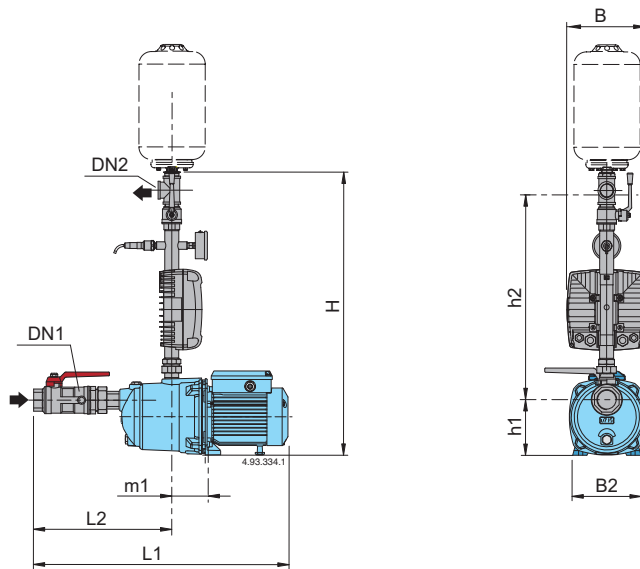
### BS2V BSM2V

Mains: 400V 3~ Motor: 400V 3~	Mains: 230V 1~ Motor: 230V 3~	Motor		Connection		mm								Weight kg	Vessel	
		kW	HP	DN <sub>1</sub>	DN <sub>2</sub>	H	h1	h2	L1	L2	m1	B2	B		Membrane	litre
BS2V 2MGP 203	BSM2V 2MGP 203	0,45+0,45	0,6+0,6	G 2	G 1 1/2	1100	151	206	793	355	235	625	600	41	24x2	
BS2V 2MGP 204	BSM2V 2MGP 204	0,55+0,55	0,75+0,75	G 2	G 1 1/2	1100	151	206	793	355				46	24x2	
BS2V 2MGP 205/A	BSM2V 2MGP 205	0,75+0,75	1+1	G 2	G 1 1/2	1100	151	206	793	355				52	24x2	
BS2V 2MGP 403	BSM2V 2MGP 403	0,55+0,55	0,75+0,75	G 2	G 1 1/2	1100	151	206	793	355				46	24x2	
BS2V 2MGP 404/A	BSM2V 2MGP 404	0,75+0,75	1+1	G 2	G 1 1/2	1100	151	206	793	355				48	24x2	
BS2V 2MGP 405	BSM2V 2MGP 405	1,1+1,1	1,5+1,5	G 2	G 1 1/2	1100	151	206	793	355				54	24x2	

Dimensions not binding to be verified when ordering



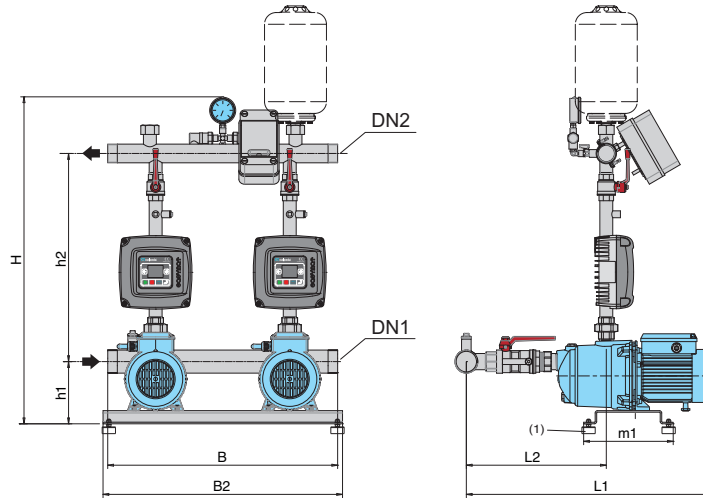
## Characteristic, dimensions and weights



Mains: 1~ 230V Motor: 3~ 230V	mains A	motor A	Mains: 1~ 230V Motor: 1~ 230V	A	P <sub>2</sub>		Connection		mm							
					kW	HP	DN1	DN2	H	h1	h2	L1	L2	m1	B	B2
BSM1V 1MGP 202-EMT	2,1	1,7	BSM1V 1MGPM 202-EMM	2,3	0,33	0,45	G 1	G 1	691	116	535	516	269	95	200	146
BSM1V 1MGP 203-EMT	3,2	2,4	BSM1V 1MGPM 203-EMM	3	0,45	0,6						516				
BSM1V 1MGP 204-EMT	4	2,8	BSM1V 1MGPM 204-EMM	3,3	0,55	0,75						516				
BSM1V 1MGP 205/A-EMT	5	3,5	BSM1V 1MGPM 205-EMM	5,4	0,75	1						545				
BSM1V 1MGP 402-EMT	3,2	2,4	BSM1V 1MGPM 402-EMM	3	0,45	0,6	G 1	G 1	691	116	535	516	269	95	200	146
BSM1V 1MGP 403-EMT	4,3	3	BSM1V 1MGPM 403-EMM	3,5	0,55	0,75						516				
BSM1V 1MGP 404/A-EMT	5	3,5	BSM1V 1MGPM 404-EMM	5,4	0,75	1						545				
BSM1V 1MGP 405-EMT	6,4	4,5	BSM1V 1MGPM 405-EMM	7	1,1	1,5						575				

Dimensions not binding to be verified when ordering

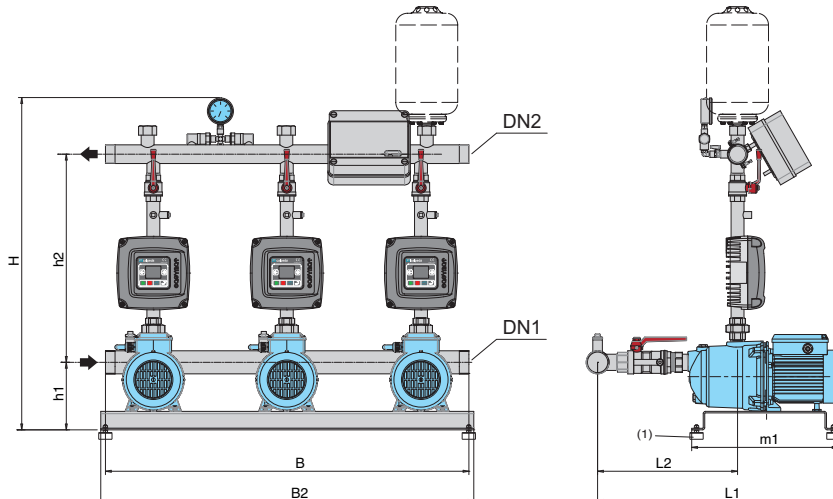
## Characteristic and dimensions



Mains: 1~ 230V Motor: 3~ 230V	mains A	motor A	P <sub>2</sub>		Connection		mm							
			kW	HP	DN1	DN2	H	h1	h2	L1	L2	m1	B	B2
BSM2V 2MGP 202-EMT	2 x 2,1	2 x 1,7	2 x 0,33	2 x 0,45	G 2	G 1 1/2	783	151	480	566	319	240	600	625
BSM2V 2MGP 203-EMT	2 x 3,2	2 x 2,4	2 x 0,45	2 x 0,6						566				
BSM2V 2MGP 204-EMT	2 x 4	2 x 2,8	2 x 0,55	2 x 0,75						566				
BSM2V 2MGP 205/A-EMT	2 x 5	2 x 3,5	2 x 0,75	2 x 1						595				
BSM2V 2MGP 402-EMT	2 x 3,2	2 x 2,4	2 x 0,45	2 x 0,6	G 2	G 1 1/2	783	151	480	566	319	240	600	625
BSM2V 2MGP 403-EMT	2 x 4,3	2 x 3	2 x 0,55	2 x 0,75						566				
BSM2V 2MGP 404/A-EMT	2 x 5	2 x 3,5	2 x 0,75	2 x 1						595				
BSM2V 2MGP 405-EMT	2 x 6,4	2 x 4,5	2 x 1,1	2 x 1,5						625				

Dimensions not binding to be verified when ordering

(1) Anti-vibration pads kit supplied loose as standard

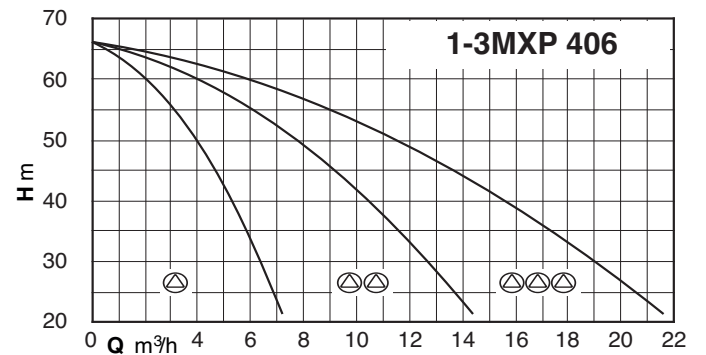
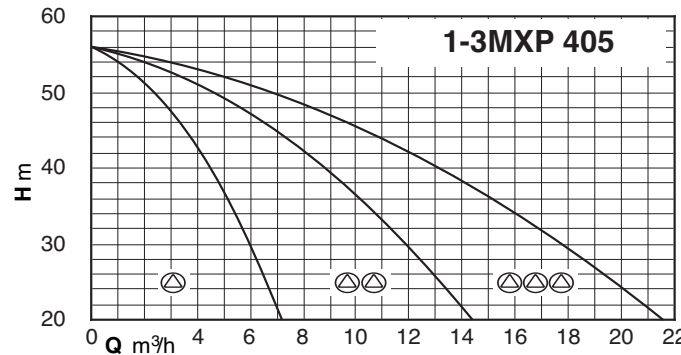
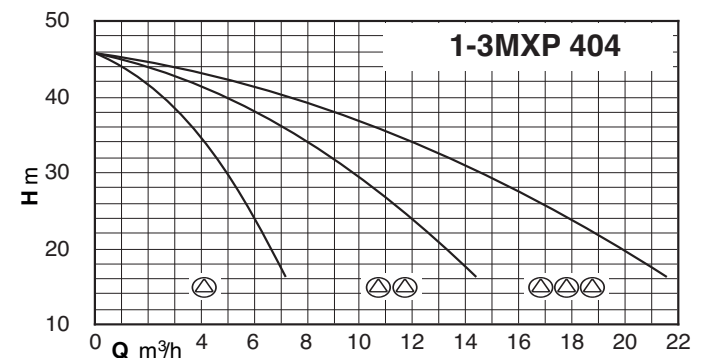
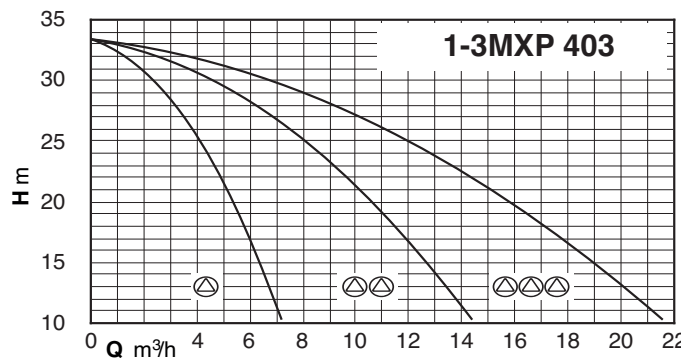
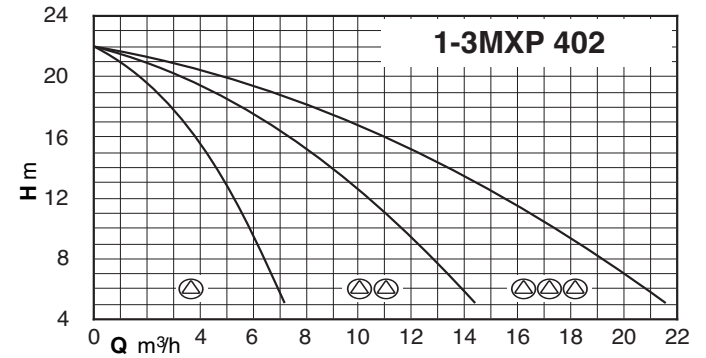
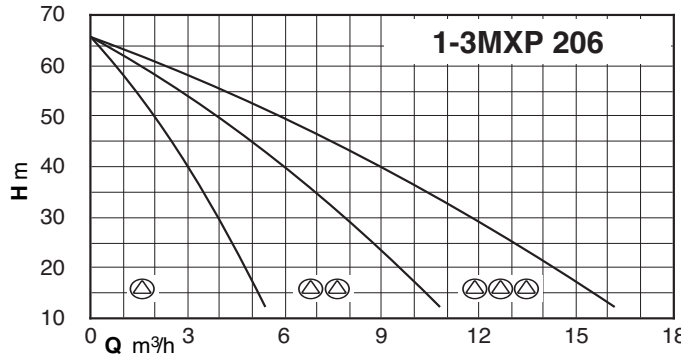
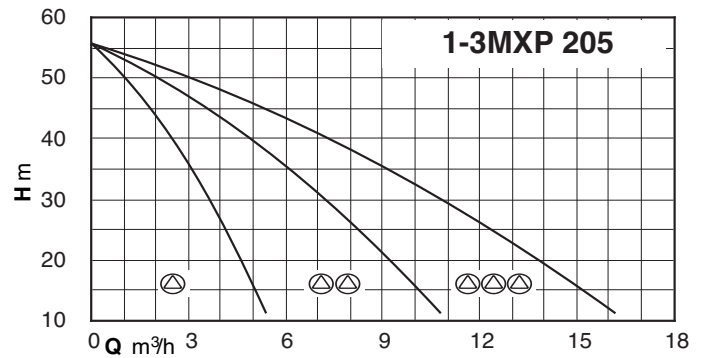
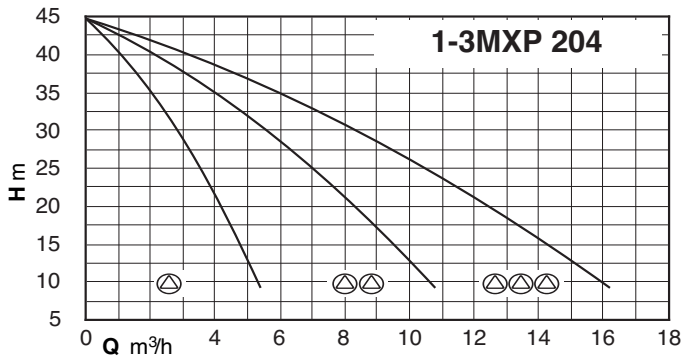
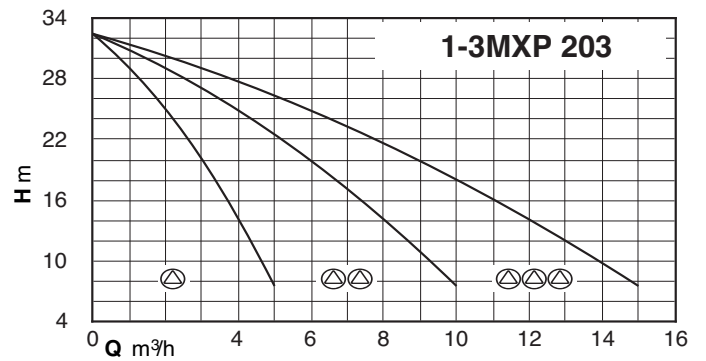
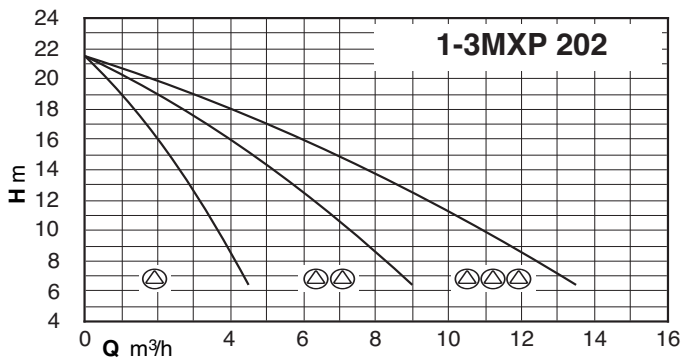


Mains: 1~ 230V Motor: 3~ 230V	mains A	motor A	P <sub>2</sub>		Connection		mm							
			kW	HP	DN1	DN2	H	h1	h2	L1	L2	m1	B	B2
BSM3V 3MGP 202-EMT	3 x 2,1	3 x 1,7	3 x 0,33	3 x 0,45	G 2 1/2	G 2	805	167	486	573	326	305	950	1000
BSM3V 3MGP 203-EMT	3 x 3,2	3 x 2,4	3 x 0,45	3 x 0,6						573				
BSM3V 3MGP 204-EMT	3 x 4	3 x 2,8	3 x 0,55	3 x 0,75						573				
BSM3V 3MGP 205/A-EMT	3 x 5	3 x 3,5	3 x 0,75	3 x 1						602				
BSM3V 3MGP 402-EMT	3 x 3,2	3 x 2,4	3 x 0,45	3 x 0,6	G 2 1/2	G 2	805	167	486	573	326	305	950	1000
BSM3V 3MGP 403-EMT	3 x 4,3	3 x 3	3 x 0,55	3 x 0,75						573				
BSM3V 3MGP 404/A-EMT	3 x 5	3 x 3,5	3 x 0,75	3 x 1						602				
BSM3V 3MGP 405-EMT	3 x 6,4	3 x 4,5	3 x 1,1	3 x 1,5						632				

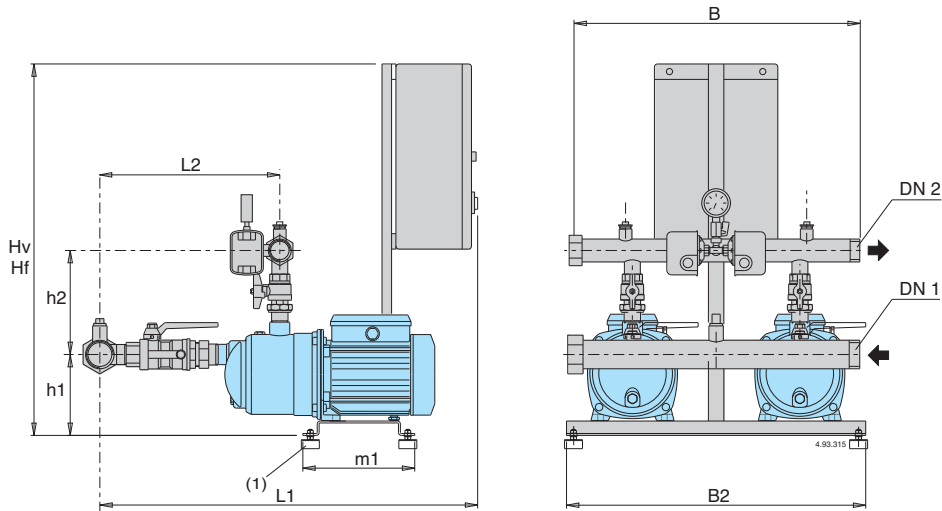
Dimensions not binding to be verified when ordering

(1) Anti-vibration pads kit supplied loose as standard

**Coverage chart**



**Characteristic, dimensions and weights**



(1) Anti-vibration pads kit supplied loose as standard  
Hf= Fixed speed boosting sets  
Hv= Variable speed boosting sets

**BS2F BSM2F**

Mains: 400V 3~ Motor: 400V 3~	Mains: 230V 1~ Motor: 230V 1~	Motor		Q <sub>max</sub> * l/min	Pres. switch setting		Connection		mm								kg	Vessel	
		kW	HP		bar	bar	DN1	DN2	Hf	h1	h2	L1	L2	m1	B2	B		Mem. litre	Vessel litre
BS2F 2MXP 203	BSM2F 2MXPM 203	0,45+0,45	0,6+0,6	155	1,4±2,6	1,0±2,2	G 2	G 1/2	857	151	191	729	319				41	24x2	100
BS2F 2MXP 204/A	BSM2F 2MXPM 204/A	0,55+0,55	0,75+0,75	160	2,0±3,2	1,5±2,7	G 2	G 1/2	857	151	191	729	319				46	24x2	100
BS2F 2MXP 205/A	BSM2F 2MXPM 205	0,75+0,75	1+1	160	3,0±4,5	2,5±4,0	G 2	G 1/2	857	151	191	729	319				48	24x2	100
BS2F 2MXP 206	BSM2F 2MXPM 206	0,75+0,75	1+1	160	3,7±5,3	3,4±5	G 2	G 1/2	857	187	198	779	369	240	625	600		24x2	100
BS2F 2MXP 403/A	BSM2F 2MXPM 403/A	0,55+0,55	0,75+0,75	230	1,5±2,7	1,2±2,4	G 2	G 1/2	857	151	191	729	319				46	24x2	100
BS2F 2MXP 404/B	BSM2F 2MXPM 404/A	0,75+0,75	1+1	220	2,4±3,6	2,0±3,2	G 2	G 1/2	857	151	191	729	319				48	80	200
BS2F 2MXP 405	BSM2F 2MXPM 405	1,1+1,1	1,5+1,5	220	3,0±4,5	3,5±4,0	G 2	G 1/2	857	151	191	729	319				54	80	200
BS2F 2MXP 406	BSM2F 2MXPM 406	1,1+1,1	1,5+1,5	220	3,8±5,4	3,5±5,1	G 2	G 1/2	857	187	198	779	369				80	200	

\* Maximum pumps flow at minimum set pressure of 2<sup>nd</sup> pressure switch.

**BS1V1F BSM1V1F**

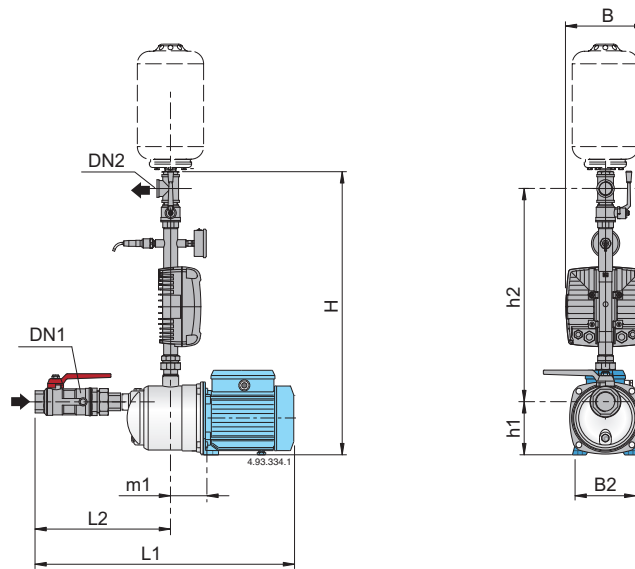
Mains: 400V 3~ Motor: 400V 3~	Mains: 230V 1~ Motor: 230V 3~ and 230V 1~	Motor		Connection		mm								Weight kg	Vessel Membrane litre			
		kW	HP	DN1	DN2	Hf	h1	h2	L1	L2	m1	B2	B					
BS1V1F 2MXP 203	BSM1V1F 2MXP 203	0,45+0,45	0,6+0,6	G 2	G 1/2	1349	257	206	814	319							41	24x2
BS1V1F 2MXP 204/A	BSM1V1F 2MXP 204/A	0,55+0,55	0,75+0,75	G 2	G 1/2	1349	257	206	814	319							46	24x2
BS1V1F 2MXP 205/A	BSM1V1F 2MXP 205	0,75+0,75	1+1	G 2	G 1/2	1349	257	206	814	319							48	24x2
BS1V1F 2MXP 206	BSM1V1F 2MXP 206	0,75+0,75	1+1	G 2	G 1/2	1349	293	213	864	369								24x2
BS1V1F 2MXP 403/A	BSM1V1F 2MXP 403/A	0,55+0,55	0,75+0,75	G 2	G 1/2	1349	257	206	814	319	476	625	600				46	24x2
BS1V1F 2MXP 404/B	BSM1V1F 2MXP 404/A	0,75+0,75	1+1	G 2	G 1/2	1349	257	206	814	319							48	80
BS1V1F 2MXP 405	BSM1V1F 2MXP 405	1,1+1,1	1,5+1,5	G 2	G 1/2	1349	257	206	814	319							54	80
BS1V1F 2MXP 406	BSM1V1F 2MXP 406	1,1+1,1	1,5+1,5	G 2	G 1/2	1349	293	213	864	369							80	

**BS2V BSM2V**

Mains: 400V 3~ Motor: 400V 3~	Mains: 230V 1~ Motor: 230V 3~	Motor		Connection		mm								Weight kg	Vessel Membrane litre			
		kW	HP	DN1	DN2	Hf	h1	h2	L1	L2	m1	B2	B					
BS2V 2MXP 203	BSM2V 2MXP 203	0,45+0,45	0,6+0,6	G 2	G 1/2	1349	257	206	814	319							41	24x2
BS2V 2MXP 204/A	BSM2V 2MXP 204/A	0,55+0,55	0,75+0,75	G 2	G 1/2	1349	257	206	814	319							46	24x2
BS2V 2MXP 205/A	BSM2V 2MXP 205	0,75+0,75	1+1	G 2	G 1/2	1349	257	206	814	319							48	24x2
BS2V 2MXP 206	BSM2V 2MXP 206	0,75+0,75	1+1	G 2	G 1/2	1349	293	213	864	369								24x2
BS2V 2MXP 403/A	BSM2V 2MXP 403/A	0,55+0,55	0,75+0,75	G 2	G 1/2	1349	257	206	814	319	476	625	600				46	24x2
BS2V 2MXP 404/B	BSM2V 2MXP 404/A	0,75+0,75	1+1	G 2	G 1/2	1349	257	206	814	319							48	80
BS2V 2MXP 405	BSM2V 2MXP 405	1,1+1,1	1,5+1,5	G 2	G 1/2	1349	257	206	814	319							54	80
BS2V 2MXP 406	BSM2V 2MXP 406	1,1+1,1	1,5+1,5	G 2	G 1/2	1349	293	213	814	369							80	

Dimensions not binding to be verified when ordering

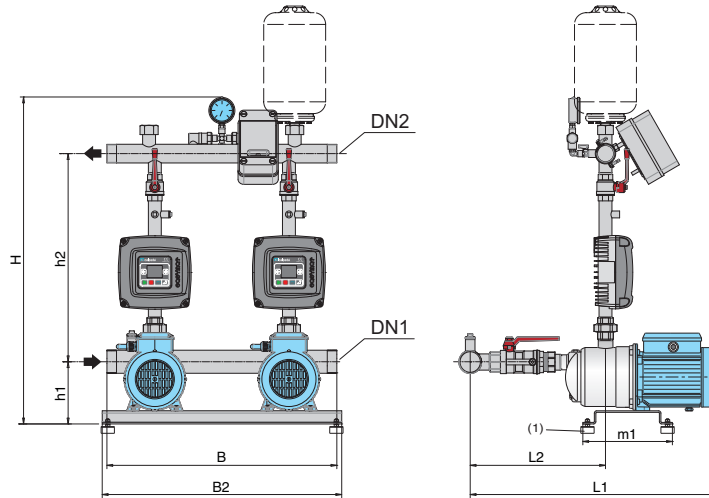
## Characteristic, dimensions and weights



Mains: 1~ 230V Motor: 3~ 230V	mains A	motor A	Mains: 1~ 230V Motor: 1~ 230V	A	P <sub>2</sub>		Connection		mm							
					kW	HP	DN1	DN2	H	h1	h2	L1	L2	m1	B	B2
BSM1V 1MXP 202-EMT	2,1	1,7	BSM1V 1MXPM 202-EMM	2,3	0,33	0,45	G 1	G 1	701	116	545	516	269	95	200	146
BSM1V 1MXP 203-EMT	3,2	2,4	BSM1V 1MXPM 203-EMM	3	0,45	0,6						516				
BSM1V 1MXP 204/A-EMT	4	2,8	BSM1V 1MXPM 204/A-EMM	3,3	0,55	0,75						545				
BSM1V 1MXP 205/A-EMT	5	3,5	BSM1V 1MXPM 205-EMM	5,4	0,75	1						545				
BSM1V 1MXP 206-EMT	5	3,5	BSM1V 1MXPM 206-EMM	5,4	0,75	1	G 1 1/4	G 1	744	152	552	646	324	113	214	185
BSM1V 1MXP 402-EMT	3,2	2,4	BSM1V 1MXPM 402-EMM	3	0,45	0,6	G 1	G 1	701	116	545	516	269	95	200	146
BSM1V 1MXP 403/A-EMT	4,3	3	BSM1V 1MXPM 403/A-EMM	3,5	0,55	0,75						516				
BSM1V 1MXP 404/B-EMT	5	3,5	BSM1V 1MXPM 404/A-EMM	5,4	0,75	1						545				
BSM1V 1MXP 405-EMT	6,4	4,5	BSM1V 1MXPM 405-EMM	7	1,1	1,5						575				
BSM1V 1MXP 406-EMT	10,8	7,5	BSM1V 1MXPM 406-EMM	9,2	1,5	2	G 1 1/4	G 1	744	152	552	673	324	113	214	185

Dimensions not binding to be verified when ordering

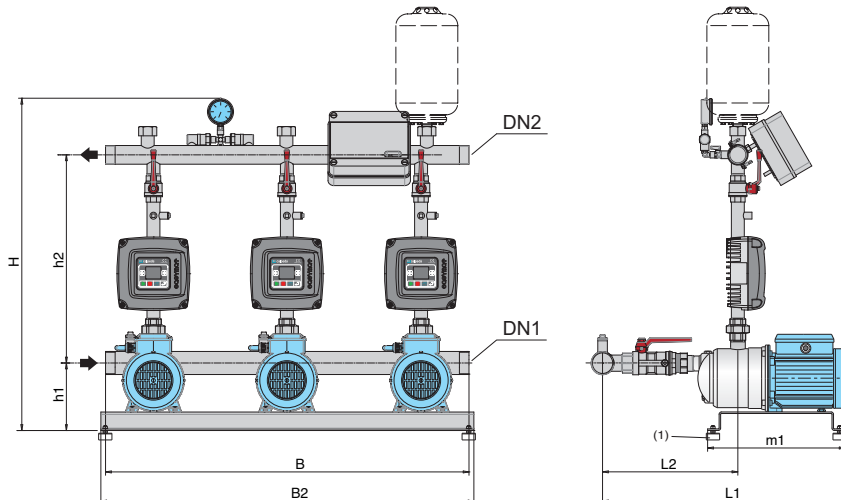
## Characteristic and dimensions



Mains: 1~ 230V Motor: 3~ 230V	mains A	motor A	P <sub>2</sub>		Connection		mm							
			kW	HP	DN1	DN2	H	h1	h2	L1	L2	m1	B	B2
BSM2V 2MXP 202-EMT	2 x 2,1	2 x 1,7	2 x 0,33	2 x 0,45	G 2	G 1 1/2	793	151	490	566	319	240	600	625
BSM2V 2MXP 203-EMT	2 x 3,2	2 x 2,4	2 x 0,45	2 x 0,6						566				
BSM2V 2MXP 204/A-EMT	2 x 4	2 x 2,8	2 x 0,55	2 x 0,75	G 2	G 1 1/2	793	151	490	595	319	240	600	625
BSM2V 2MXP 205/A-EMT	2 x 5	2 x 3,5	2 x 0,75	2 x 1						595				
BSM2V 2MXP 206-EMT	2 x 5	2 x 3,5	2 x 0,75	2 x 1	G 2	G 1 1/2	836	187	497	691	369	240	600	625
BSM2V 2MXP 402-EMT	2 x 3,2	2 x 2,4	2 x 0,45	2 x 0,6						566				
BSM2V 2MXP 403/A-EMT	2 x 4,3	2 x 3	2 x 0,55	2 x 0,75	G 2	G 1 1/2	793	151	490	595	319	240	600	625
BSM2V 2MXP 404/B-EMT	2 x 5	2 x 3,5	2 x 0,75	2 x 1						595				
BSM2V 2MXP 405-EMT	2 x 6,4	2 x 4,5	2 x 1,1	2 x 1,5	G 2	G 1 1/2	836	187	497	625	369	240	600	625
BSM2V 2MXP 406-EMT	2 x 10,8	2 x 7,5	2 x 1,5	2 x 2						718				

Dimensions not binding to be verified when ordering

(1) Anti-vibration pads kit supplied loose as standard



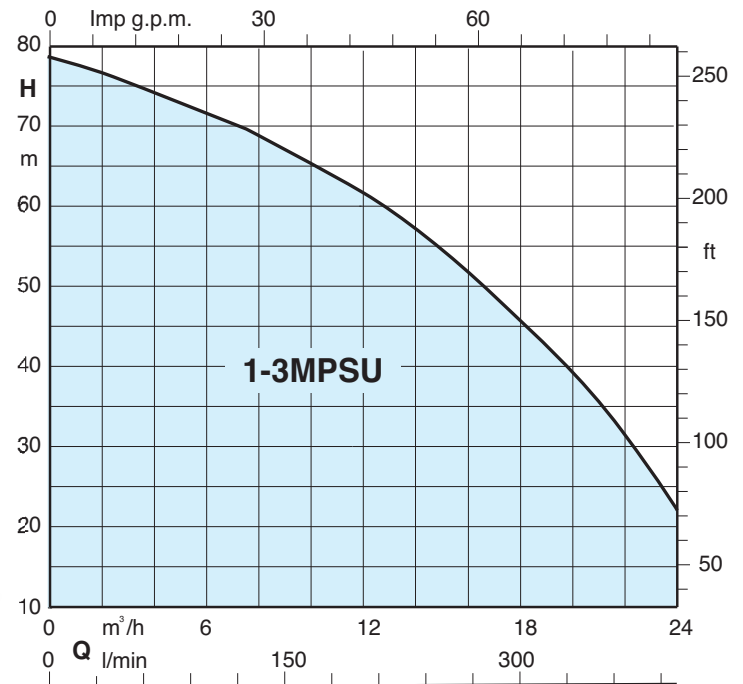
Mains: 1~ 230V Motor: 3~ 230V	mains A	motor A	P <sub>2</sub>		Connection		mm							
			kW	HP	DN1	DN2	H	h1	h2	L1	L2	m1	B	B2
BSM3V 3MXP 202-EMT	3 x 2,1	3 x 1,7	3 x 0,33	3 x 0,45	G 2 1/2	G 2	815	167	496	573	326	305	950	1000
BSM3V 3MXP 203-EMT	3 x 3,2	3 x 2,4	3 x 0,45	3 x 0,6						573				
BSM3V 3MXP 204/A-EMT	3 x 4	3 x 2,8	3 x 0,55	3 x 0,75	G 2 1/2	G 2	815	167	496	602	326	305	950	1000
BSM3V 3MXP 205/A-EMT	3 x 5	3 x 3,5	3 x 0,75	3 x 1						602				
BSM3V 3MXP 206-EMT	3 x 5	3 x 3,5	3 x 0,75	3 x 1	G 2 1/2	G 2	858	203	503	699	377	305	950	1000
BSM3V 3MXP 402-EMT	3 x 3,2	3 x 2,4	3 x 0,45	3 x 0,6						573				
BSM3V 3MXP 403/A-EMT	3 x 4,3	3 x 3	3 x 0,55	3 x 0,75	G 2 1/2	G 2	815	167	496	602	326	305	950	1000
BSM3V 3MXP 404/B-EMT	3 x 5	3 x 3,5	3 x 0,75	3 x 1						602				
BSM3V 3MXP 405-EMT	3 x 6,4	3 x 4,5	3 x 1,1	3 x 1,5	G 2 1/2	G 2	858	203	503	632	377	305	950	1000
BSM3V 3MXP 406-EMT	3 x 10,8	3 x 7,5	3 x 1,5	3 x 2						726				

Dimensions not binding to be verified when ordering

(1) Anti-vibration pads kit supplied loose as standard



## Coverage chart



## Operation

### BS 1-6F Pressure boosting sets with 1 to 6 fixed speed pump.

#### Sets with 4,5 and 6 pumps on request.

Depending on the reduction of the pressure in the system, the pressure switches (pressure transducer for 3-pump sets) determine the starting up of the pumps in sequence and the microprocessor alternates the starts.

### BS1-3V Pressure boosting sets with 1 to 3 variable speed pumps (with EASYMAT).

Depending on water consumption, one or more pumps are activated, all at variable speed, in order to guarantee the quantity of water required at the set pressure.

### BS1V2-5F Pressure boosting sets with 1 variable speed pump (with frequency converter into the control panel) and from 1 to 5 fixed speed pumps

#### Sets with 4,5 and 6 pumps on request.

According to the water consumption, one or more pumps start, one at variable speed and the others at fixed speed, to grant the water quantity required at the set pressure.

### BS1-6V Pressure boosting sets with 1 to 6 variable speed pumps (with frequency converter into the control panel).

#### Sets with 4,5 and 6 pumps on request.

Depending on water consumption, one or more pumps are activated, all at variable speed, in order to guarantee the quantity of water required at the set pressure.

## Construction

- Automatic pressure boosting plant consisting of 1 to 6 vertical multi-stage close coupled pumps complete with ball, non return valve on the suction side and ball valves on the delivery side.

### Suction and delivery manifolds for boosting sets with 2,3 pumps:

- stainless steel AISI 304.

Connections are located on the delivery manifold for the installation of vessels G1 connection.

### Electrical control boards:

- with microprocessor for fixed speed pump units.

- with frequency converter for variable speed pump units.

The unit includes one pressure gauge and three adjustable differential pressure switches or pressure transducer.

## Applications

To supply water in civil and industrial buildings.

As pressure boosting pump to increase water pressure when needed (follow local rules).

## Motors

2-pole induction motors, 50 Hz,  $n \approx 2900$  rpm, suitable for operation with frequency converter.

- Three-phase 230V - 400V  $\pm 10\%$ ;

- Single-phase 230 V  $\pm 10\%$ .

Insulation class F.

Protection IP 68.

Constructed in accordance with: IEC 60034.

Other voltages and frequencies on request.

## Vessels on request

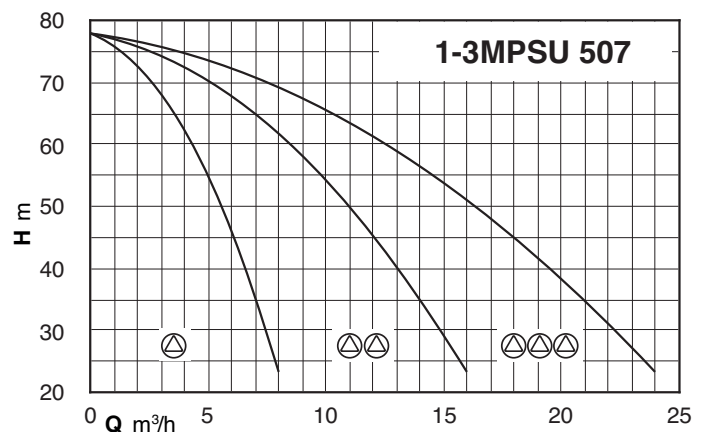
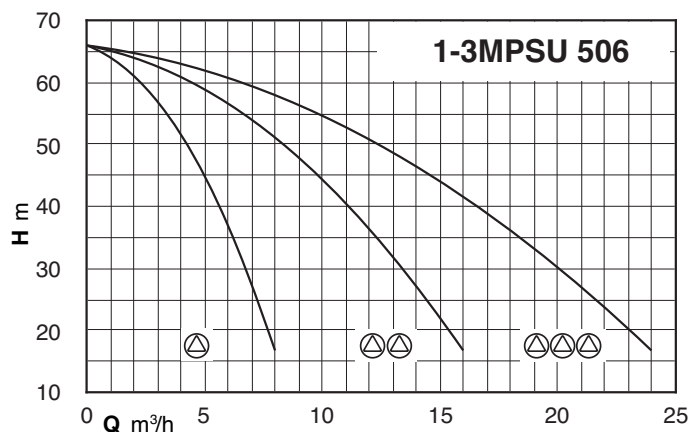
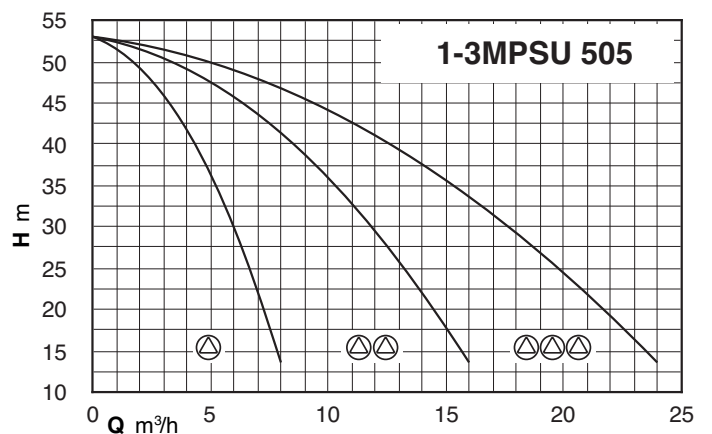
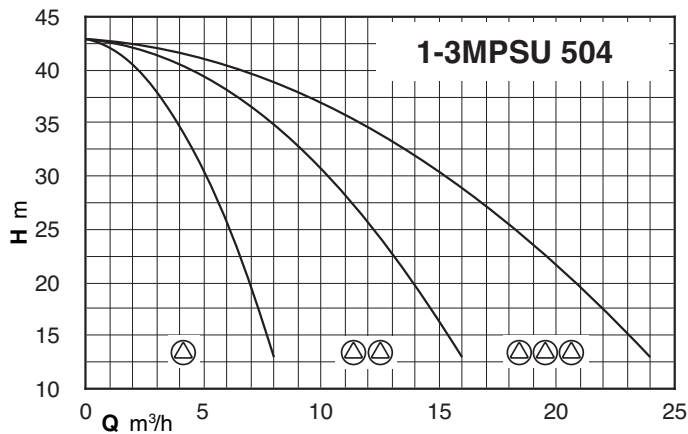
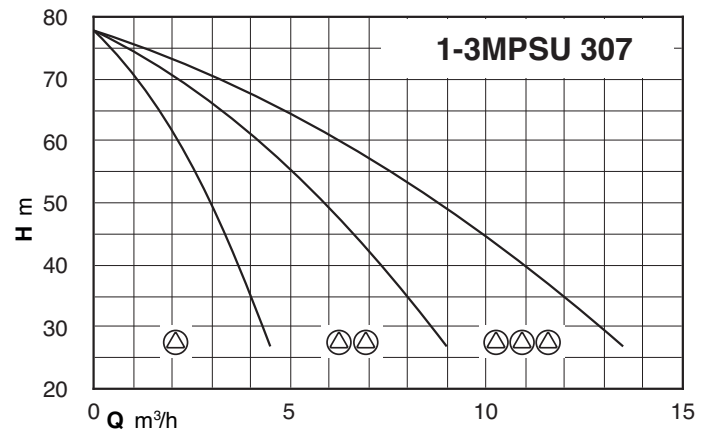
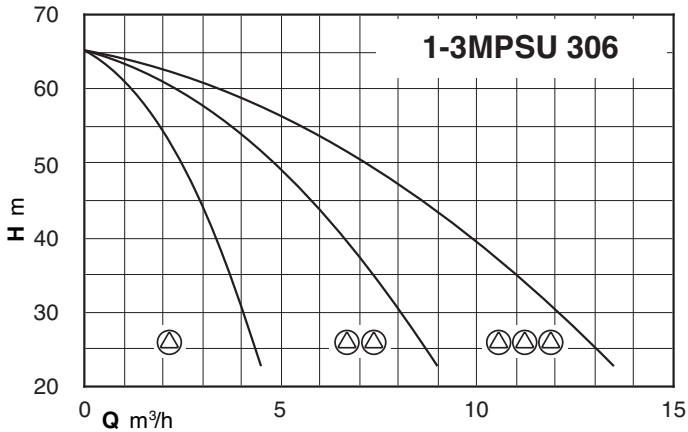
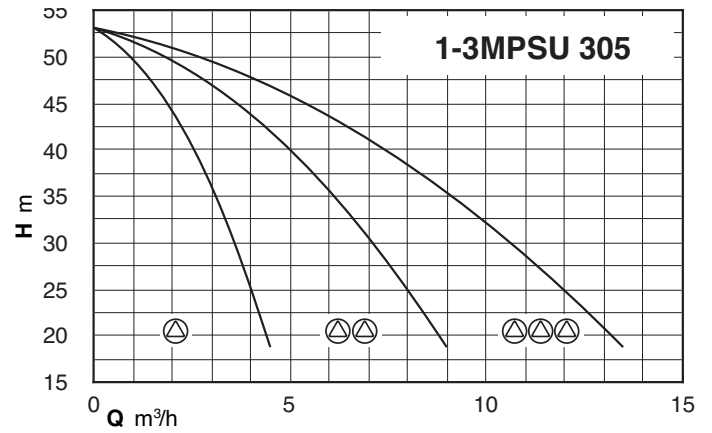
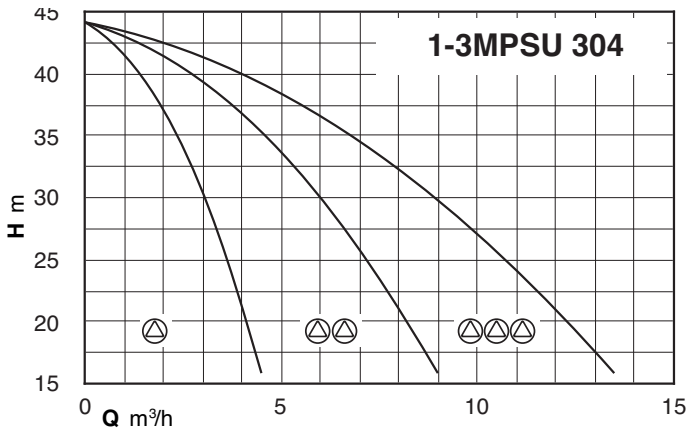
When installing the unit, connect in the delivery section to a diaphragm or galvanised tank.

The recommended sized are shown in the following page.

## Special features on request

Pressure boosting sets with 4,5 and 6 pumps.

## Coverage chart





## Performance

### BS1F

### BSM1F

Mains: 400V 3~ Motor: 400V 3~	Mains: 230V 1~ Motor: 230V 1~	Motor		Pres. switch 1 bar		Vessel Membrane litre	Vessel litre
		kW	HP	min	max		
BS1F 1MPSU 304	BSM1F 1MPSUM 304	0,55	0,75	2,3	3,8	40	100
BS1F 1MPSU 305	BSM1F 1MPSUM 305	0,75	1	3	4,5	40	100
BS1F 1MPSU 306	BSM1F 1MPSUM 306	0,9	1,2	3,8	5,8	50	100
BS1F 1MPSU 307	BSM1F 1MPSUM 307	0,9	1,2	4,7	6,4	50	100
BS1F 1MPSU 504	BSM1F 1MPSUM 504	0,9	1,2	2,1	3,6	60	100
BS1F 1MPSU 505	BSM1F 1MPSUM 505	1,1	1,5	3	4,5	80	200
BS1F 1MPSU 506	BSM1F 1MPSUM 506	1,1	1,5	4,3	6	150	200
BS1F 1MPSU 507	BSM1F 1MPSUM 507	1,5	2	5,3	7,1	150	200

### BS2F

### BSM2F

Mains: 400V 3~ Motor: 400V 3~	Alimentazione 230V 1~ Motore 230V 1~	Motor		Pres. switch 1 bar		Pres. switch 2 bar		Vessel Membrane litre	Vessel litre
		kW	HP	min	max	min	max		
BS2F 2MPSU 304	BSM2F 2MPSUM 304	0,55 x2	0,75 x2	2,3	3,8	1,8	3,3	40	100
BS2F 2MPSU 305	BSM2F 2MPSUM 305	0,75 x2	1 x2	3	4,5	2,5	4	40	100
BS2F 2MPSU 306	BSM2F 2MPSUM 306	0,9 x2	1,2 x2	3,8	5,8	3,5	5,5	50	100
BS2F 2MPSU 307	BSM2F 2MPSUM 307	0,9 x2	1,2 x2	4,7	6,4	4,4	6,1	50	100
BS2F 2MPSU 504	BSM2F 2MPSUM 504	0,9 x2	1,2 x2	2,1	3,6	1,7	3,2	60	100
BS2F 2MPSU 505	BSM2F 2MPSUM 505	1,1 x2	1,5 x2	3	4,5	2,5	4	80	200
BS2F 2MPSU 506	BSM2F 2MPSUM 506	1,1 x2	1,5 x2	4,3	6	4,1	5,7	150	200
BS2F 2MPSU 507	BSM2F 2MPSUM 507	1,5 x2	2 x2	5,3	7,1	5	6,8	150	200

### BS3F

Mains: 400V 3~ Motor: 400V 3~	Motor		Pressure transducer bar		Vessel Membrane litre	Vessel litre
	kW	HP	min	max		
BS3F 3MPSU 304	0,55 x3	0,75 x3	1,8	2,6	24x2	100
BS3F 3MPSU 305	0,75 x3	1 x3	2,3	3,1	24x2	100
BS3F 3MPSU 306	0,9 x3	1,2 x3	3	3,9	24x2	100
BS3F 3MPSU 307	0,9 x3	1,2 x3	2,9	4,4	24x2	100
BS3F 3MPSU 504	0,9 x3	1,2 x3	2,7	3,5	150	200
BS3F 3MPSU 505	1,1 x3	1,5 x3	3,4	4,3	150	200
BS3F 3MPSU 506	1,1 x3	1,5 x3	3,6	5,2	150	200
BS3F 3MPSU 507	1,5 x3	2 x3	4,6	6,3	150	200

### BS..

PUMPS Nos						PUMP TYPE	P <sub>2</sub> For each pump	
1	2	3	4	5	6		kW	HP
BS1V	BS2V	BS3V	BS4V	BS5V	BS6V	MPSU 304	0,55	0,75
	BS1V1F	BS1V2F	BS1V3F	BS1V4F	BS1V5F	MPSU 305	0,75	1
	BSM1V1F*					MPSU 306	0,9	1,2
	BSM2V**					MPSU 307	0,9	1,2
						MPSU 504	0,9	1,2
						MPSU 505	1,1	1,5
						MPSU 506	1,1	1,5
						MPSU 507	1,5	2

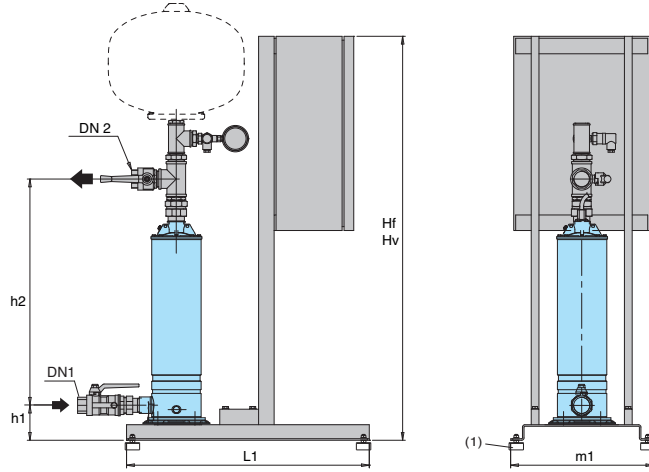
### BS.. ..-EMT, EMM

PUMPS Nos			PUMP TYPE	P <sub>2</sub> For each pump	
1	2	3		kW	HP
BS1V -EMT -EMM	BS2V -EMT	BS3V -EMT	MPSU 304-EMT	0,55	0,75
			MPSU 305-EMT	0,75	1
			MPSU 306-EMT	0,9	1,2
			MPSU 307-EMT	0,9	1,2
			MPSU 504-EMT	0,9	1,2
			MPSU 505-EMT	1,1	1,5
			MPSU 506-EMT	1,1	1,5
			MPSU 507-EMT	1,5	2

(\*) SYSTEMS WITH:  
1 variable speed pump three-phase motor  
1 fixed speed pump single-phase motor  
Power supply to control panel 230 V single-phase

(\*\*) Three-phase motor 230 V.  
Power supply to control panel: - 230 V three-phase  
- 230 V single-phase  
Frequency converter output is always 230 V three-phase.

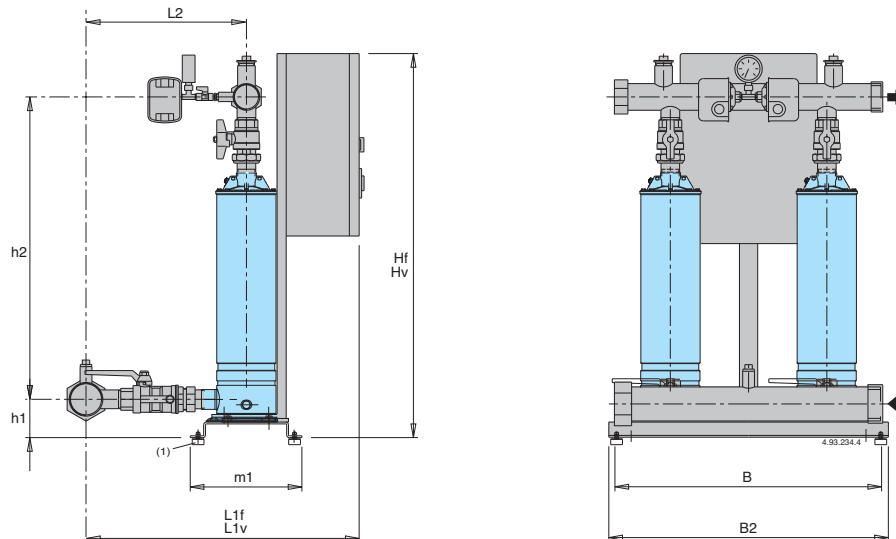
## Dimensions and weights



TYPE	TYPE	Connection		mm							weight kg
		DN 1	DN 2	Hf	Hv	h1	h2	L1	m1		
BS1. 1MPSU 304	BSM1. 1MPSUM 304	G 1 1/4	G 1 1/4	875	1045	94	619	625	365		
BS1. 1MPSU 305	BSM1. 1MPSUM 305						668				
BS1. 1MPSU 306	BSM1. 1MPSUM 306						692				
BS1. 1MPSU 307	BSM1. 1MPSUM 307						716				
BS1. 1MPSU 504	BSM1. 1MPSUM 504						644				
BS1. 1MPSU 505	BSM1. 1MPSUM 505						668				
BS1. 1MPSU 506	BSM1. 1MPSUM 506						737				
BS1. 1MPSU 507	BSM1. 1MPSUM 507						786				

Dimensions not binding to be verified when ordering  
Hf= Fixed speed boosting sets  
Hv= Variable speed boosting sets

(1) Anti-vibration pads kit supplied loose as standard

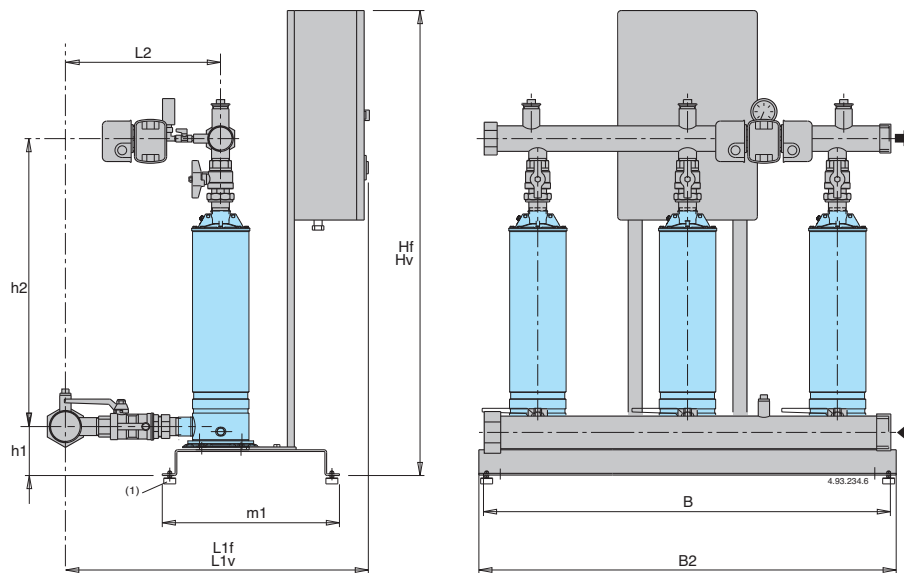


TYPE	TYPE	Connection		mm										weight kg
		DN 1	DN 2	Hf	Hv	h1	h2	L1f	L1v	L2	m1	B	B2	
BS.. 2MPSU 304	BSM.. 2MPSUM 304	G 2	G 2	865	1135	84	629	690	740	320	240	600	625	50 - 50
BS.. 2MPSU 305	BSM.. 2MPSUM 305						698							52 - 52
BS.. 2MPSU 306	BSM.. 2MPSUM 306						722							54 - 55
BS.. 2MPSU 307	BSM.. 2MPSUM 307						746							56 - 58
BS.. 2MPSU 504	BSM.. 2MPSUM 504						674							52 - 52
BS.. 2MPSU 505	BSM.. 2MPSUM 505						698							54 - 54
BS.. 2MPSU 506	BSM.. 2MPSUM 506						767							56 - 57
BS.. 2MPSU 507	BSM.. 2MPSUM 507						816							58 - 60

Dimensions not binding to be verified when ordering

(1) Anti-vibration pads kit supplied loose as standard

## Dimensions and weights



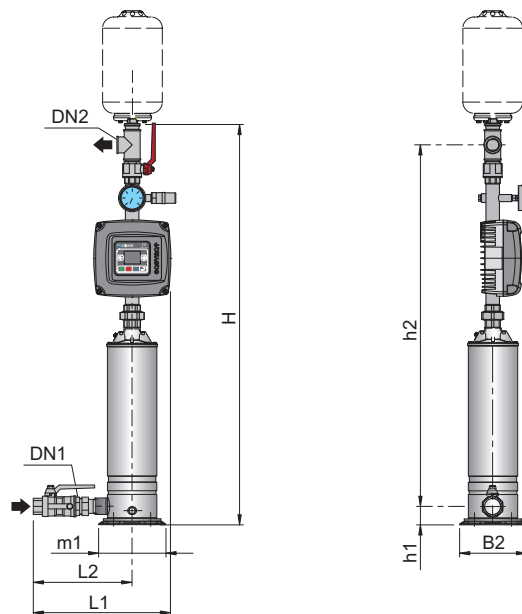
TYPE	Connection		mm										weight kg	
	DN 1	DN 2	Hf	Hv	h1	h2	L1f	L1v	L2	m1	B	B2		
BS.. 3MPSU 304						636								85
BS.. 3MPSU 305						705								88
BS.. 3MPSU 306						729								91
BS.. 3MPSU 307						753								94
BS.. 3MPSU 504	G 2 1/2	G 2	1090	1260	105	681	735	805	329	406	950	1000		87
BS.. 3MPSU 505						705								90
BS.. 3MPSU 506						774								93
BS.. 3MPSU 507						823								96

Dimensions not binding to be verified when ordering

(1) Anti-vibration pads kit supplied loose as standard

Hf= Fixed speed boosting sets  
Hv= Variable speed boosting sets

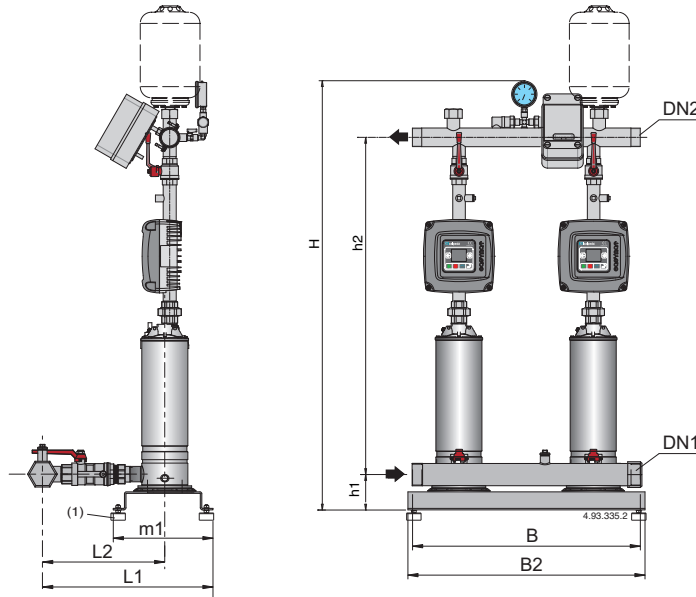
## Characteristic and dimensions



Mains: 1~ 230V Motor: 3~ 230V	mains		Mains: 1~ 230V Motor: 1~ 230V	A	P2		Connection		mm							
	A	A			kW	HP	DN1	DN2	H	h1	h2	L1	L2	m1	B2	
BSM1V 1MPSU 304-EMT	3,9	2,8	BSM1V 1MPSUM 304-EMM	4,1	0,55	0,75	G 1 1/4	1 1/4	1055	50	952	376	286	180	205	
BSM1V 1MPSU 305-EMT	4,7	3,3	BSM1V 1MPSUM 305-EMM	5	0,75	1			1124		1021					
BSM1V 1MPSU 306-EMT	5,4	3,8	BSM1V 1MPSUM 306-EMM	6	0,9	1,2			1148		1045					
BSM1V 1MPSU 307-EMT	6,4	4,5	BSM1V 1MPSUM 307-EMM	6,6	0,9	1,2			1172		1069					
BSM1V 1MPSU 504-EMT	6,4	3,8	BSM1V 1MPSUM 504-EMM	6	0,9	1,2	G 1 1/4	G 1 1/4	1100	50	997	376	286	180	205	
BSM1V 1MPSU 505-EMT	6,4	4,5	BSM1V 1MPSUM 505-EMM	7	1,1	1,5			1124		1021					
BSM1V 1MPSU 506-EMT	6,9	4,8			1,1	1,5			1193		1090					
BSM1V 1MPSU 507-EMT	9,7	6,8			1,5	2			1142		1139					

Dimensions not binding to be verified when ordering

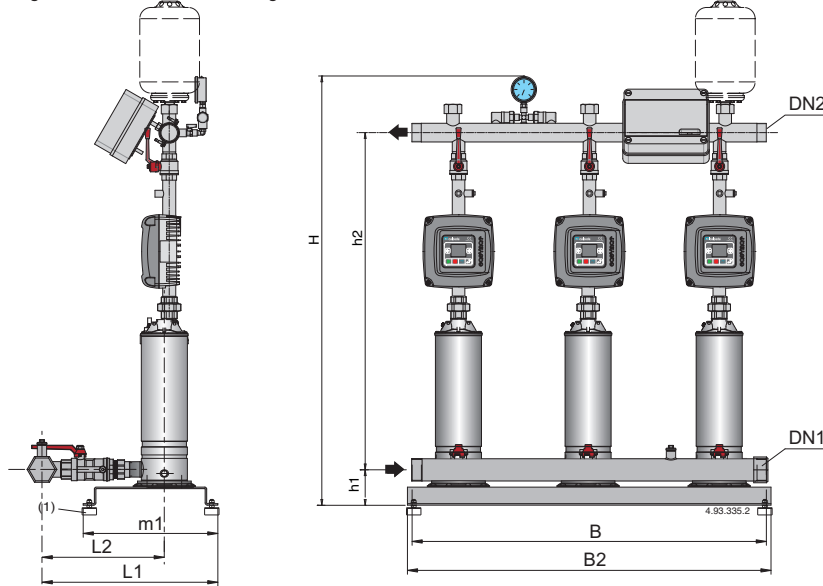
## Characteristic and dimensions



Mains: 1~ 230V Motor: 3~ 230V	mains A	motor A	P2		Connection		mm										
			kW	HP	DN1	DN2	H	h1	h2	L1	L2	m1	B	B2			
BSM2V 2MPSU 304-EMT	2 x 3,9	2 x 2,8	2 x 0,55	2 x 0,75			1130		932								
BSM2V 2MPSU 305-EMT	2 x 4,7	2 x 3,3	2 x 0,75	2 x 1	G 2	G 2	1199	84	1001	420	320	240	600	625			
BSM2V 2MPSU 306-EMT	2 x 5,4	2 x 3,8	2 x 0,9	2 x 1,2			1223		1025								
BSM2V 2MPSU 307-EMT	2 x 6,4	2 x 4,5	2 x 0,9	2 x 1,2			1247		1049								
BSM2V 2MPSU 504-EMT	2 x 6,4	2 x 3,8	2 x 0,9	2 x 1,2			1175		977								
BSM2V 2MPSU 505-EMT	2 x 6,4	2 x 4,5	2 x 1,1	2 x 1,5	G 2	G 2	1199	84	1001	420	320	240	600	625			
BSM2V 2MPSU 506-EMT	2 x 6,9	2 x 4,8	2 x 1,1	2 x 1,5			1268		1070								
BSM2V 2MPSU 507-EMT	2 x 9,7	2 x 6,8	2 x 1,5	2 x 2			1317		1119								

Dimensions not binding to be verified when ordering

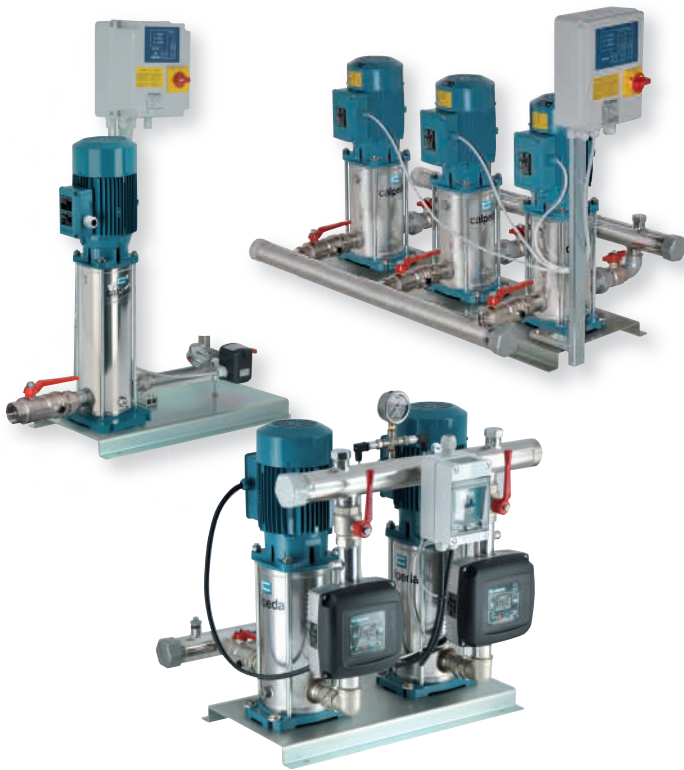
(1) Anti-vibration pads kit supplied loose as standard



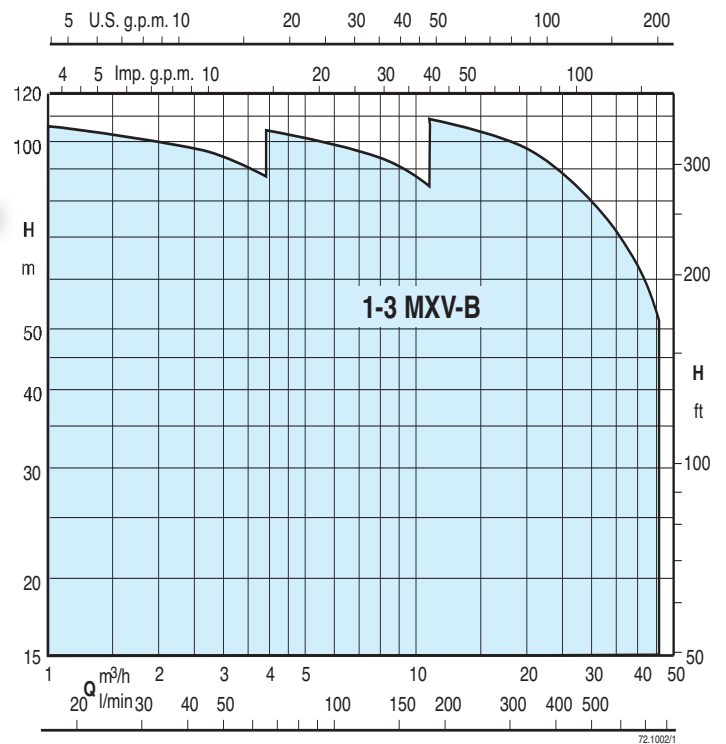
Mains: 1~ 230V Motor: 3~ 230V	mains A	motor A	P2		Connection		mm										
			kW	HP	DN1	DN2	H	h1	h2	L1	L2	m1	B	B2			
BSM3V 3MPSU 304-EMT	3 x 3,9	3 x 2,8	3 x 0,55	3 x 0,75			1151		953								
BSM3V 3MPSU 305-EMT	3 x 4,7	3 x 3,3	3 x 0,75	3 x 1	G 2 1/2	G 2	1120	105	1022	566	329	406	950	1000			
BSM3V 3MPSU 306-EMT	3 x 5,4	3 x 3,8	3 x 0,9	3 x 1,2			1244		1046								
BSM3V 3MPSU 307-EMT	3 x 6,4	3 x 4,5	3 x 0,9	3 x 1,2			1268		1070								
BSM3V 3MPSU 504-EMT	3 x 6,4	3 x 3,8	3 x 0,9	3 x 1,2			1196		998								
BSM3V 3MPSU 505-EMT	3 x 6,4	3 x 4,5	3 x 1,1	3 x 1,5	G 2 1/2	G 2	1220	105	1022	566	329	406	950	1000			
BSM3V 3MPSU 506-EMT	3 x 6,9	3 x 4,8	3 x 1,1	3 x 1,5			1286		1091								
BSM3V 3MPSU 507-EMT	3 x 9,7	3 x 6,8	3 x 1,5	3 x 2			1338		1140								

Dimensions not binding to be verified when ordering

(1) Anti-vibration pads kit supplied loose as standard



## Coverage chart



## Operation

**BS 1-6F** Pressure boosting sets with 1 to 6 fixed speed pump.  
**Sets with 4,5 and 6 pumps on request.**  
Depending on the reduction of the pressure in the system, the pressure switches (pressure transducer for 3-pump sets) determine the starting up of the pumps in sequence and the microprocessor alternates the starts.

**BS2-3V** Pressure boosting sets with 2 to 3 variable speed pumps (with I-MAT).  
Depending on water consumption, one or more pumps are activated, all at variable speed, in order to guarantee the quantity of water required at the set pressure.

**BS1-3V** Pressure boosting sets with 1 to 3 variable speed pumps (with EASYMAT).  
Depending on water consumption, one or more pumps are activated, all at variable speed, in order to guarantee the quantity of water required at the set pressure.

**BS1V2-5F** Pressure boosting sets with 1 variable speed pump (with frequency converter into the control panel) and from 1 to 5 fixed speed pumps.  
**Sets with 4,5 and 6 pumps on request.**  
According to the water consumption, one or more pumps start, one at variable speed and the others at fixed speed, to grant the water quantity required at the set pressure.

**BS1-6V** Pressure boosting sets with 1 to 6 variable speed pumps (with frequency converter into the control panel).  
**Sets with 4,5 and 6 pumps on request.**  
Depending on water consumption, one or more pumps are activated, all at variable speed, in order to guarantee the quantity of water required at the set pressure.

## Construction

- Automatic pressure boosting plant consisting of 1 to 6 vertical multi-stage pumps complete with ball, non return valve on the suction side and ball valves on the delivery side.

### Suction and delivery manifolds for boosting sets with 2,3 pumps:

- stainless steel AISI 304.  
Connections are located on the delivery manifold for the installation of vessels G1 connection.

### Electrical control boards:

- with microprocessor for fixed speed pump units. Motor starting is D.O.L.  
- with frequency converter for variable speed pump units.

The unit includes one pressure gauge and three adjustable differential pressure switches or pressure transducer.

## Applications

To supply water in civil and industrial buildings.  
As pressure boosting pump to increase water pressure when needed (follow local rules).

## Motors

2-pole induction motors, 50 Hz,  $n \approx 2900$  rpm, suitable for operation with frequency converter.

- Three-phase 230/400V  $\pm 10\%$ .
- Single-phase 230 V  $\pm 10\%$ , with thermal protector.
- Insulation class F.
- Protection IP 54.
- Constructed in accordance with: IEC 60034.
- Other voltages and frequencies on request.

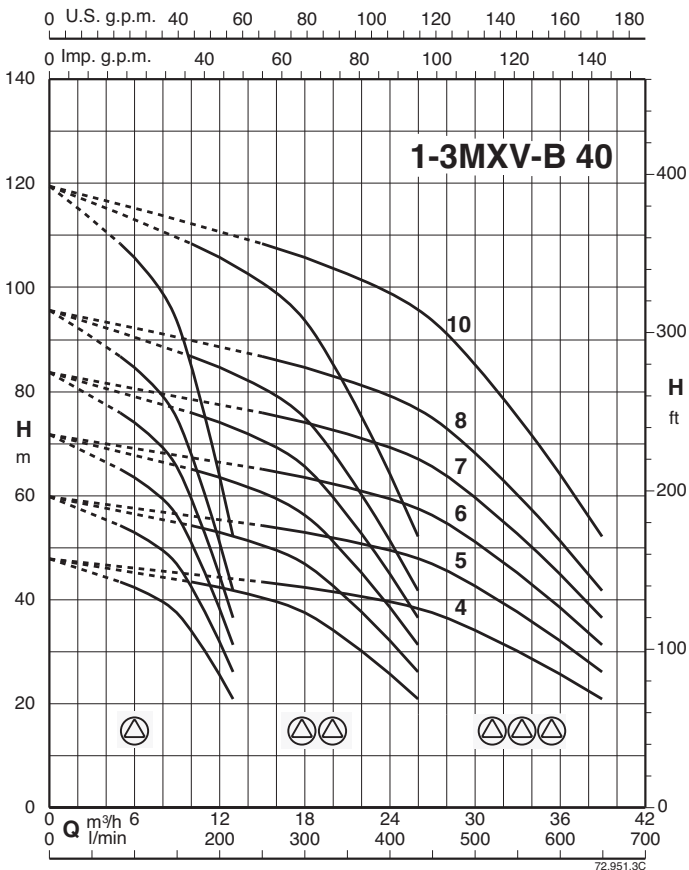
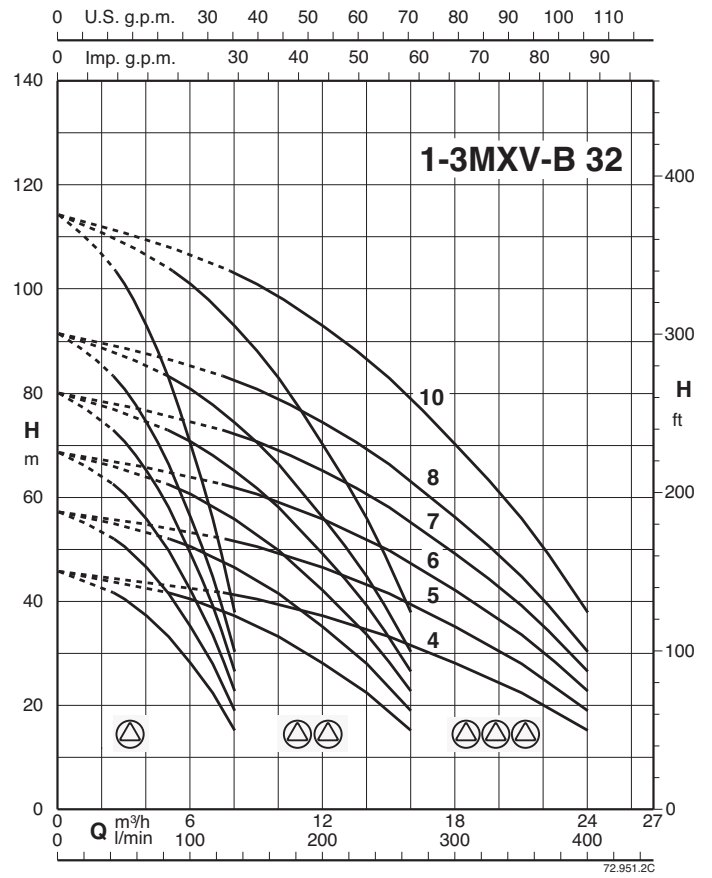
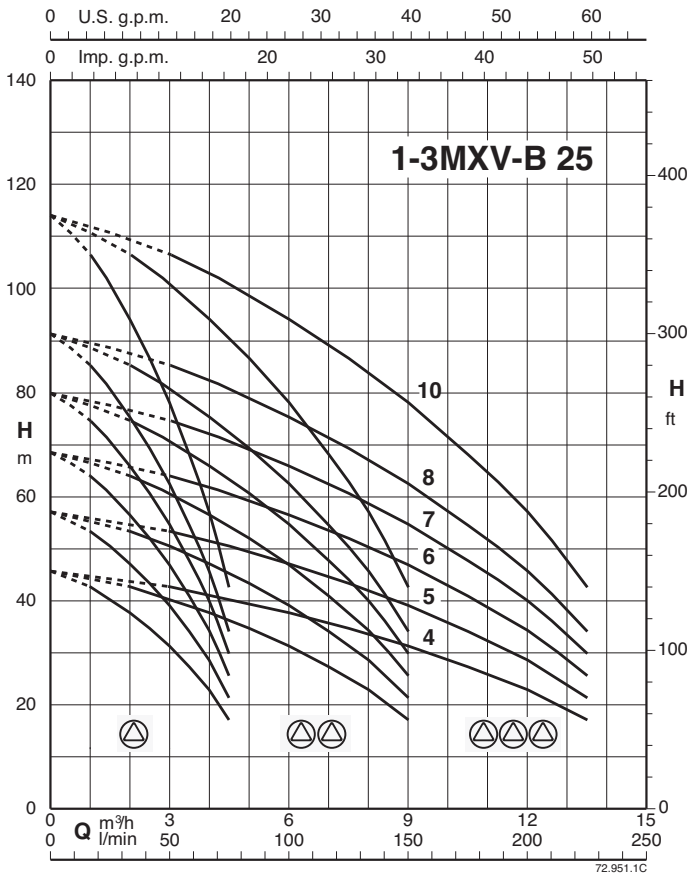
## Vessels on request

When installing the unit, connect in the delivery section to a diaphragm or galvanised tank.  
The recommended sized are shown in the following page.

## Special features on request

Pressure boosting sets with 4,5 and 6 pumps.

## Coverage chart



## Performance

### BS1F

### BSM1F

Mains: 400V 3~ Motor: 400V 3~	Mains: 230V 1~ Motor: 230V 1~	Motor		Pres. switch 1 bar		Vessel Membrane litre	Vessel litre
		kW	HP	min	max		
BS1F 1MXV-B 25-204	BSM1F 1MXV-BM 25-204	0,75	1	2,5	4	40	100
BS1F 1MXV-B 25-205	BSM1F 1MXV-BM 25-205	0,75	1	3,5	5	50	100
BS1F 1MXV-B 25-206	BSM1F 1MXV-BM 25-206	1,1	1,5	4	6	50	100
BS1F 1MXV-B 25-207	BSM1F 1MXV-BM 25-207	1,1	1,5	5	7	50	100
BS1F 1MXV-B 25-208	BSM1F 1MXV-BM 25-208	1,5	2	6	8	60	100
BS1F 1MXV-B 25-210	BSM1F 1MXV-BM 25-210	1,5	2	6,5	9,5	60	100
BS1F 1MXV-B 32-404	BSM1F 1MXV-BM 32-404	1,1	1,5	2,3	3,8	80	100
BS1F 1MXV-B 32-405	BSM1F 1MXV-BM 32-405	1,1	1,5	3,4	4,9	100	100
BS1F 1MXV-B 32-406	BSM1F 1MXV-BM 32-406	1,5	2	4	6	100	100
BS1F 1MXV-B 32-407	BSM1F 1MXV-BM 32-407	1,5	2	5	7	100	300
BS1F 1MXV-B 32-408/A		2,2	3	6	8	150	300
BS1F 1MXV-B 32-410/A		2,2	3	6,5	9,5	150	300
BS1F 1MXV-B 40-804	BSM1F 1MXV-BM 40-804	1,5	2	2,5	4	200	300
BS1F 1MXV-B 40-805/A		2,2	3	3,5	5	300	500
BS1F 1MXV-B 40-806/A		2,2	3	4	6	300	500
BS1F 1MXV-B 40-807/A		3	4	5	7	300	500
BS1F 1MXV-B 40-808/A		3	4	6	8	300	500
BS1F 1MXV-B 40-810/A		3,7	5	7,5	10,5	500	800

### BS2F

### BSM2F

Mains: 400V 3~ Motor: 400V 3~	Mains: 230V 1~ Motor: 230V 1~	Motor		Pres. switch 1 bar		Pres. switch 2 bar		Vessel Membrane litre	Vessel litre
		kW	HP	min	max	min	max		
BS2F 2MXV-B 25-204	BSM2F 2MXV-BM 25-204	0,75 x2	1 x2	2,5	4	2,2	3,7	40	100
BS2F 2MXV-B 25-205	BSM2F 2MXV-BM 25-205	0,75 x2	1 x2	3,5	5	3	4,5	50	100
BS2F 2MXV-B 25-206	BSM2F 2MXV-BM 25-206	1,1 x2	1,5 x2	4	6	3,5	5,5	50	100
BS2F 2MXV-B 25-207	BSM2F 2MXV-BM 25-207	1,1 x2	1,5 x2	5	7	4,5	6,5	50	100
BS2F 2MXV-B 25-208	BSM2F 2MXV-BM 25-208	1,5 x2	2 x2	6	8	5,5	7,5	60	100
BS2F 2MXV-B 25-210	BSM2F 2MXV-BM 25-210	1,5 x2	2 x2	6,5	9,5	6	9	60	100
BS2F 2MXV-B 32-404	BSM2F 2MXV-BM 32-404	1,1 x2	1,5 x2	2,3	3,8	1,8	3,3	80	100
BS2F 2MXV-B 32-405	BSM2F 2MXV-BM 32-405	1,1 x2	1,5 x2	3,4	4,9	3	4,5	100	100
BS2F 2MXV-B 32-406	BSM2F 2MXV-BM 32-406	1,5 x2	2 x2	4	6	3,5	5,5	100	100
BS2F 2MXV-B 32-407	BSM2F 2MXV-BM 32-407	1,5 x2	2 x2	5	7	4,5	6,5	100	300
BS2F 2MXV-B 32-408/A		2,2 x2	3 x2	6	8	5,5	7,5	150	300
BS2F 2MXV-B 32-410/A		2,2 x2	3 x2	6,5	9,5	6	9	150	300
BS2F 2MXV-B 40-804	BSM2F 2MXV-BM 40-804	1,5 x2	2 x2	2,5	4	2,2	3,7	200	300
BS2F 2MXV-B 40-805/A		2,2 x2	3 x2	3,5	5	3	4,5	300	500
BS2F 2MXV-B 40-806/A		2,2 x2	3 x2	4	6	3,5	5,5	300	500
BS2F 2MXV-B 40-807/A		3 x2	4 x2	5	7	4,5	6,5	300	500
BS2F 2MXV-B 40-808/A		3 x2	4 x2	6	8	5,5	7,5	300	500
BS2F 2MXV-B 40-810/A		3,7 x2	5 x2	8	10	7,5	9,5	500	800



## Performance

### BS3F

Mains: 400V 3~ Motor: 400V 3~	Motor		Pressure transducer bar		Vessel Membrane litre	Vessel litre
	kW	HP	min	max		
BS3F 3MXV-B 25-204	0,75 x3	1 x3	3	3,9	24x2	100
BS3F 3MXV-B 25-205	0,75 x3	1 x3	3,3	4,8	24x2	100
BS3F 3MXV-B 25-206	1,1 x3	1,5 x3	4,1	5,8	24x2	100
BS3F 3MXV-B 25-207	1,1 x3	1,5 x3	5	6,7	24x2	100
BS3F 3MXV-B 25-208	1,5 x3	2 x3	5,8	7,7	60	100
BS3F 3MXV-B 25-210	1,5 x3	2 x3	7,5	9,7	80	100
BS3F 3MXV-B 32-404	1,1 x3	1,5 x3	3	3,8	100	200
BS3F 3MXV-B 32-405	1,1 x3	1,5 x3	3,2	4,7	100	200
BS3F 3MXV-B 32-406	1,5 x3	2 x3	4	5,6	100	200
BS3F 3MXV-B 32-407	1,5 x3	2 x3	4,8	6,6	150	200
BS3F 3MXV-B 32-408/A	2,2 x3	3 x3	5,7	7,6	150	300
BS3F 3MXV-B 32-410/A	2,2 x3	3 x3	7,4	9,5	200	300
BS3F 3MXV-B 40-804	1,5 x3	2 x3	3	3,9	300	500
BS3F 3MXV-B 40-805/A	2,2 x3	3 x3	3,4	4,9	300	500
BS3F 3MXV-B 40-806/A	2,2 x3	3 x3	4,2	5,9	300	500
BS2F 3MXV-B 40-807/A	3 x3	4 x3	5,1	6,9	300	500
BS2F 3MXV-B 40-808/A	3 x3	4 x3	6	7,9	300	500
BS2F 3MXV-B 40-810/A	3,7 x3	5 x3	7,8	9,9	500	800

## Performance

### BS..

PUMPS Nos						PUMP TYPE	P <sub>2</sub> For each pump	
1	2	3	4	5	6		kW	HP
BS1V	BS2V BS1V1F BSM1V1F* BSM2V**	BS3V BS1V2F	BS4V BS1V3F	BS5V BS1V4F	BS6V BS1V5F	MXV-B 25-204	0,75	1
						MXV-B 25-205	0,75	1
						MXV-B 25-206	1,1	1,5
						MXV-B 25-207	1,1	1,5
						MXV-B 25-208	1,5	2
						MXV-B 25-210	1,5	2
	MXV-B 32-404	1,1	1,5					
	MXV-B 32-405	1,1	1,5					
	MXV-B 32-406	1,5	2					
	MXV-B 32-407	1,5	2					
	MXV-B 32-408/A	2,2	3					
	MXV-B 32-410/A	2,2	3					
	MXV-B 40-804	1,5	2					
	MXV-B 40-805/A	2,2	3					
	MXV-B 40-806/A	2,2	3					
	MXV-B 40-807/A	3	4					
	MXV-B 40-808/A	3	4					
	MXV-B 40-810/A	3,7	5					

### BS.. ..-ITT

PUMPS Nos		PUMP TYPE	P <sub>2</sub> For each pump	
2	3		kW	HP
BS2V -ITT	BS3V -ITT	MXV-B 25-203-ITT	0,75	1
		MXV-B 25-204-ITT	0,75	1
		MXV-B 25-205-ITT	0,75	1
		MXV-B 25-206/A-ITT	1,1	1,5
		MXV-B 25-207/A-ITT	1,1	1,5
		MXV-B 25-208/A-ITT	1,5	2
		MXV-B 25-210/A-ITT	1,5	2
		MXV-B 32-403-ITT	0,75	1
		MXV-B 32-404/A-ITT	1,1	1,5
		MXV-B 32-405/A-ITT	1,1	1,5
		MXV-B 32-406/A-ITT	1,5	2
		MXV-B 32-407/A-ITT	1,5	2
		MXV-B 32-408/B-ITT	2,2	3
		MXV-B 32-410/B-ITT	2,2	3
		MXV-B 40-803/A-ITT	1,1	1,5
		MXV-B 40-804/A-ITT	1,5	2
		MXV-B 40-805/B-ITT	2,2	3
		MXV-B 40-806/B-ITT	2,2	3
MXV-B 40-807/A-ITT	3	4		
MXV-B 40-808/A-ITT	3	4		
MXV-B 40-810/B-ITT	3,7	5		

(\*) SYSTEMS WITH:

- 1 variable speed pump three-phase motor
- 1 fixed speed pump single-phase motor
- Power supply to control panel 230 V single-phase

(\*\*) Three-phase motor 230 V.

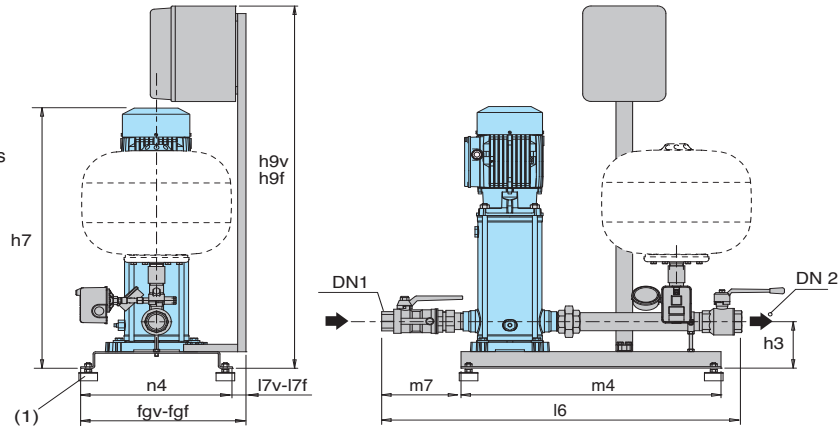
- Power supply to control panel: - 230 V three-phase
- 230 V single-phase
- Frequency converter output is always 230 V three-phase.

### BS.. ..-EMT, EMM

PUMPS Nos			PUMP TYPE	P <sub>2</sub> For each pump	
1	2	3		kW	HP
BS1V -EMT -EMM	BS2V -EMT	BS3V -EMT	MXV-B 25-204-EMT	0,75	1
			MXV-B 25-205-EMT	0,75	1
			MXV-B 25-206/A-EMT	1,1	1,5
			MXV-B 25-207/A-EMT	1,1	1,5
			MXV-B 25-208/A-EMT	1,5	2
			MXV-B 25-210/A-EMT	1,5	2
			MXV-B 32-404/A-EMT	1,1	1,5
			MXV-B 32-405/A-EMT	1,1	1,5
			MXV-B 32-406/A-EMT	1,5	2
			MXV-B 32-407/A-EMT	1,5	2
			MXV-B 32-408/B-EMT	2,2	3
			MXV-B 32-410/B-EMT	2,2	3
			MXV-B 40-804/A-EMT	1,5	2
			MXV-B 40-805/B-EMT	2,2	3
			MXV-B 40-806/B-EMT	2,2	3

## Dimensions and weights

h9f-I6f-I7f= Fixed speed boosting sets  
h9v-I6v-I7v= Variable speed boosting sets  
h9i-I6i-I7i= I-MAT boosting sets

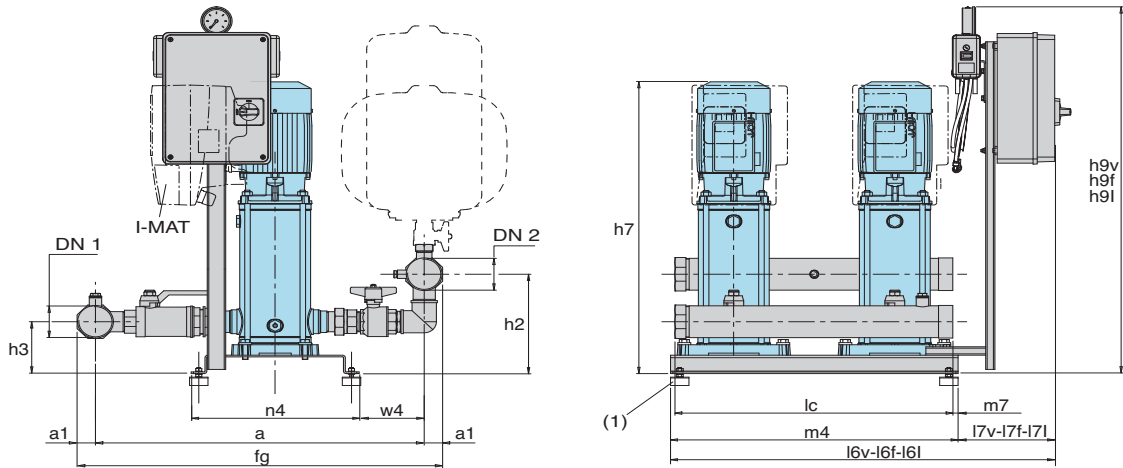


TYPE	TYPE	Connection		mm														
		DN 1	DN 2	h9f	h9v	h7	h3	m4	m7	I6	n4	fgf	fgv	I7f	I7v			
BS1. 1MXV-B 25-204	BSM1. 1MXV-BM 25-204					609												
BS1. 1MXV-B 25-205	BSM1. 1MXV-BM 25-205					632												
BS1. 1MXV-B 25-206	BSM1. 1MXV-BM 25-206					656												
BS1. 1MXV-B 25-207	BSM1. 1MXV-BM 25-207	G 1	G 1	1065	1345	680	120	625	140	*	365	*	410	*			45	
BS1. 1MXV-B 25-208	BSM1. 1MXV-BM 25-208					704												
BS1. 1MXV-B 25-210	BSM1. 1MXV-BM 25-210					752												
BS1. 1MXV-B 32-404	BSM1. 1MXV-BM 32-404					609												
BS1. 1MXV-B 32-405	BSM1. 1MXV-BM 32-405					632												
BS1. 1MXV-B 32-406	BSM1. 1MXV-BM 32-406	G 1 1/4	G 1 1/4	1065	1345	656	120	625	175	*	365	*	410	*			45	
BS1. 1MXV-B 32-407	BSM1. 1MXV-BM 32-407					680												
BS1. 1MXV-B 32-408/A						744												
BS1. 1MXV-B 32-410/A						792												
BS1. 1MXV-B 40-804	BSM1. 1MXV-BM 40-804					637												
BS1. 1MXV-B 40-805/A						707												
BS1. 1MXV-B 40-806/A		G 1 1/2	G 1 1/2	1065	1345	737	125	625	213	*	365	*	410	*			45	
BS1. 1MXV-B 40-807/A						790												
BS1. 1MXV-B 40-808/A						820												
BS1. 1MXV-B 40-810/A						997												

Dimensions not binding to be verified when ordering

\* Dimensions on request

(1) Anti-vibration pads kit supplied loose as standard



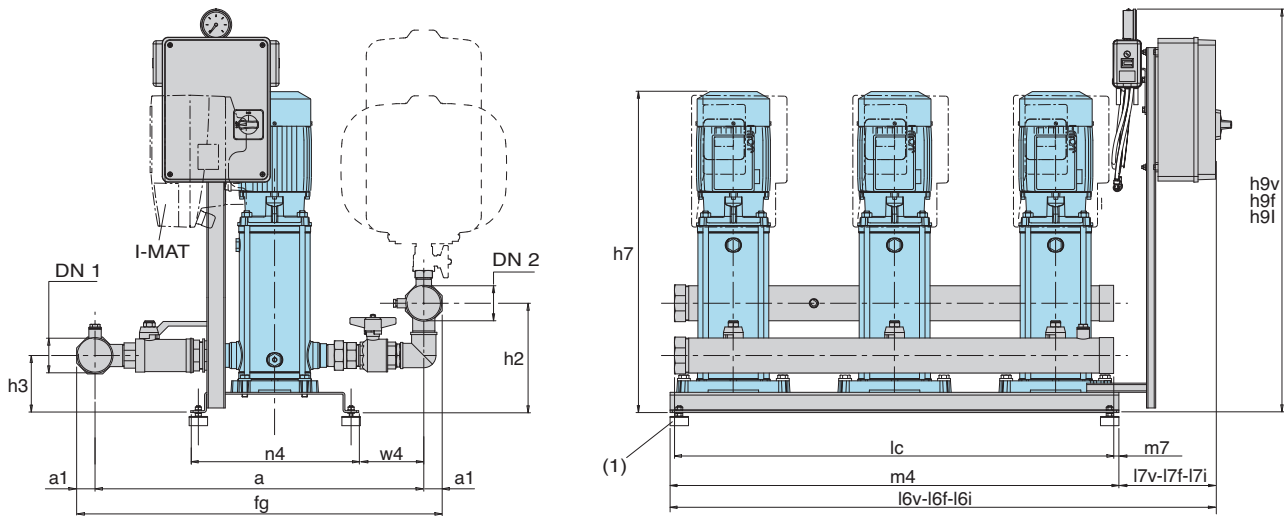
TYPE	TYPE	Connection		mm																				
		DN 1	DN 2	h9f	h9v	h9i	h7	h3	h2	fg	a	a1	n4	w4	lc	m4	m7	I6f	I6v	I6i	I7f	I7v	I7i	
BS.. 2MXV-B 25-204 (-ITT)	BSM.. 2MXV-BM 25-204						671																	
BS.. 2MXV-B 25-205 (-ITT)	BSM.. 2MXV-BM 25-205						695																	
BS.. 2MXV-B 25-206 (-ITT)	BSM.. 2MXV-BM 25-206						719																	
BS.. 2MXV-B 25-207 (-ITT)	BSM.. 2MXV-BM 25-207	G 1 1/2	G 1 1/2	965	1145	853	743	119	195	663	610	26,5	365	123	600	625	12,5	840	*	*	215	*	*	
BS.. 2MXV-B 25-208 (-ITT)	BSM.. 2MXV-BM 25-208						777																	
BS.. 2MXV-B 25-210 (-ITT)	BSM.. 2MXV-BM 25-210						825																	
BS.. 2MXV-B 32-404 (-ITT)	BSM.. 2MXV-BM 32-404						671																	
BS.. 2MXV-B 32-405 (-ITT)	BSM.. 2MXV-BM 32-405						695																	
BS.. 2MXV-B 32-406 (-ITT)	BSM.. 2MXV-BM 32-406	G 2	G 2	965	1145	853	729	119	212	687	623	32	365	105	600	625	12,5	840	*	*	215	*	*	
BS.. 2MXV-B 32-407 (-ITT)	BSM.. 2MXV-BM 32-407						753																	
BS.. 2MXV-B 32-408/A (-ITT)							817																	
BS.. 2MXV-B 32-410/A (-ITT)							865																	
BS.. 2MXV-B 40-804 (-ITT)	BSM.. 2MXV-BM 40-804						710																	
BS.. 2MXV-B 40-805/A (-ITT)							780																	
BS.. 2MXV-B 40-806/A (-ITT)		G 2 1/2	G 2 1/2	965	1145	853	810	124	238	795	715	40	365	143	600	625	12,5	840	*	*	215	*	*	
BS.. 2MXV-B 40-807/A (-ITT)							866																	
BS.. 2MXV-B 40-808/A (-ITT)							896																	
BS.. 2MXV-B 40-810/A (-ITT)							956																	

Dimensions not binding to be verified when ordering

\* Dimensions on request

(1) Anti-vibration pads kit supplied loose as standard

## Dimensions and weights



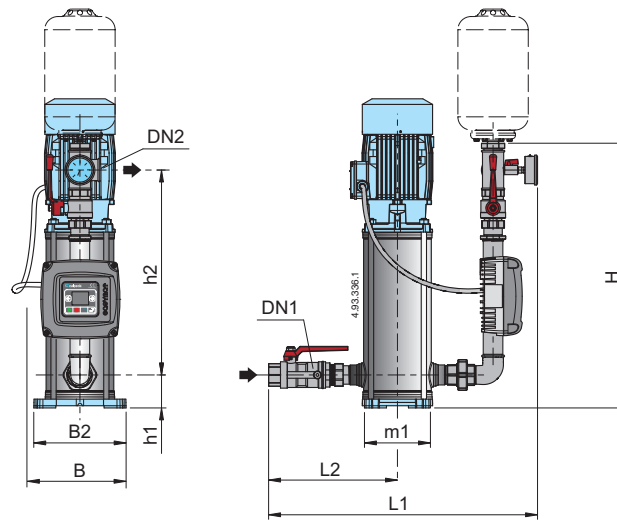
TYPE	Connection		mm																				
	DN 1	DN 2	h9f	h9v	h9i	h7	h3	h2	fg	a	a1	n4	w4	lc	m4	m7	l6f	l6v	l6i	l7f	l7v	l7i	
BS.. 3MXV-B 25-204 (-ITT)						686																	
BS.. 3MXV-B 25-205 (-ITT)						710																	
BS.. 3MXV-B 25-206 (-ITT)						734																	
BS.. 3MXV-B 25-207 (-ITT)	G 2	G 2	965	1145	853	758	134	216	681	617	32	406	102	950	1000	25	840	*	*	215	*	*	
BS.. 3MXV-B 25-208 (-ITT)						792																	
BS.. 3MXV-B 25-210 (-ITT)						840																	
BS.. 3MXV-B 32-404 (-ITT)						686																	
BS.. 3MXV-B 32-405 (-ITT)						710																	
BS.. 3MXV-B 32-406 (-ITT)	G 2 1/2	G 2 1/2	965	1145	853	744	134	234	711	631	40	406	84	950	1000	25	840	*	*	215	*	*	
BS.. 3MXV-B 32-407 (-ITT)						768																	
BS.. 3MXV-B 32-408/A (-ITT)						832																	
BS.. 3MXV-B 32-410/A (-ITT)						880																	
BS.. 3MXV-B 40-804 (-ITT)						725																	
BS.. 3MXV-B 40-805/A (-ITT)						795																	
BS.. 3MXV-B 40-806/A (-ITT)	G 3	G 3	965	1145	853	825	139	259	817	720	48,5	406	121	950	1000	25	840	*	*	215	*	*	
BS.. 3MXV-B 40-807/A (-ITT)						881																	
BS.. 3MXV-B 40-808/A (-ITT)						911																	
BS.. 3MXV-B 40-810/A (-ITT)						971																	

Dimensions not binding to be verified when ordering

\* Dimensions on request

(1) Anti-vibration pads kit supplied loose as standard

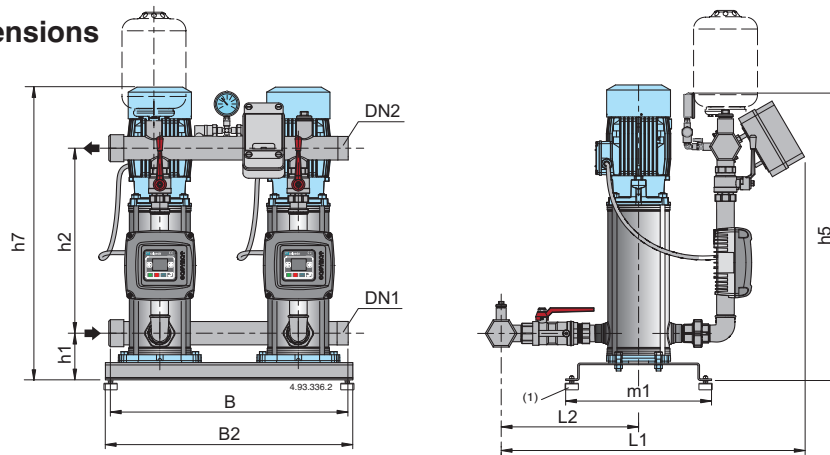
## Characteristic and dimensions



Mains: 1~ 230V Motor: 3~ 230V	mains		Mains: 1~ 230V Motor: 1~ 230V	A	P2		Connection		mm								
	A	A			kW	HP	DN1	DN2	H	h1	h2	L1	L2	m1	B	B2	
BSM1V 1MXV-B 25-204-EMT	5,4	3,3	BSM1V 1MXV-BM 25-204-EMM	5,8	0,75	1	G 1	G 1	577	75	437	588	262	150	218	210	
BSM1V 1MXV-B 25-205-EMT	5,4	3,3	BSM1V 1MXV-BM 25-205-EMM	5,8	0,75	1											
BSM1V 1MXV-B 25-206/A-EMT	7,1	4,7	BSM1V 1MXV-BM 25-206-EMM	7,4	1,1	1,5											
BSM1V 1MXV-B 25-207/A-EMT	7,1	4,7	BSM1V 1MXV-BM 25-207-EMM	7,4	1,1	1,5											
BSM1V 1MXV-B 25-208/A-EMT	10,8	7,5			1,5	2											
BSM1V 1MXV-B 25-210/A-EMT	10,8	7,5			1,5	2											
BSM1V 1MXV-B 32-404/A-EMT	7,1	4,7	BSM1V 1MXV-BM 32-404-EMM	7,4	1,1	1,5	G 1 1/4	G 1 1/4	600	75	458	633	288	150	218	210	
BSM1V 1MXV-B 32-405/A-EMT	7,1	4,7	BSM1V 1MXV-BM 32-405-EMM	7,4	1,1	1,5											
BSM1V 1MXV-B 32-406/A-EMT	10,8	7,5			1,5	2											
BSM1V 1MXV-B 32-407/A-EMT	10,8	7,5			1,5	2											
BSM1V 1MXV-B 32-408/B-EMT	13,2	9,15			2,2	3											
BSM1V 1MXV-B 32-410/B-EMT	13,2	9,15			2,2	3											
BSM1V 1MXV-B 40-804/A-EMT	10,8	7,5			1,5	2	G 1 1/2	G 1 1/2	623	80	470	675	318	190	246	246	
BSM1V 1MXV-B 40-805/B-EMT	13,2	9,15			2,2	3											
BSM1V 1MXV-B 40-806/B-EMT	13,2	9,15			2,2	3											

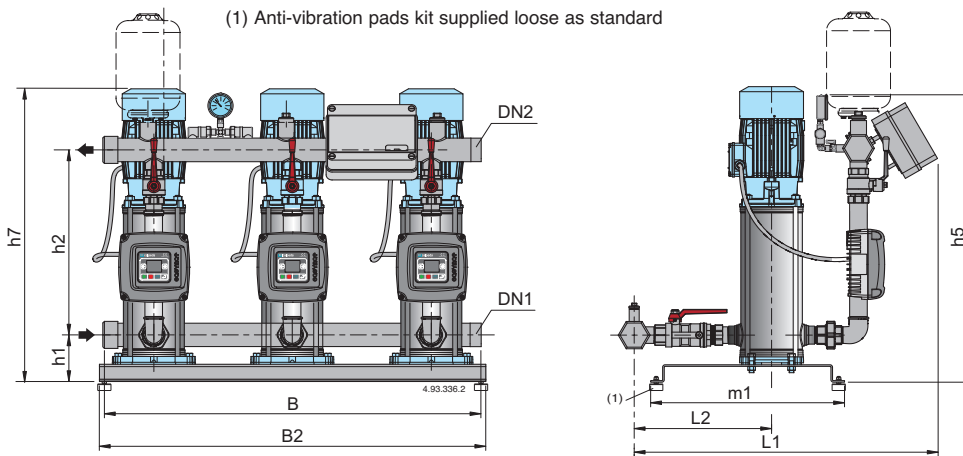
Dimensions not binding to be verified when ordering

## Characteristic and dimensions



Mains: 1~ 230V Motor: 3~ 230V	mains A	motor A	P2		Connection		mm									
			kW	HP	DN1	DN2	h5	h7	h1	h2	L1	L2	m1	B	B2	
BSM2V 2MXV-B 25-204-EMT	2 x 5,4	2 x 3,3	2 x 0,75	2 x 1	G 1 1/2	G 1 1/2	690	609	119	419	759	305	365	600	625	
BSM2V 2MXV-B 25-205-EMT	2 x 5,4	2 x 3,3	2 x 0,75	2 x 1				632								
BSM2V 2MXV-B 25-206/A-EMT	2 x 7,1	2 x 4,7	2 x 1,1	2 x 1,5				656								
BSM2V 2MXV-B 25-207/A-EMT	2 x 7,1	2 x 4,7	2 x 1,1	2 x 1,5				680								
BSM2V 2MXV-B 25-208/A-EMT	2 x 10,8	2 x 7,5	2 x 1,5	2 x 2				704								
BSM2V 2MXV-B 25-210/A-EMT	2 x 10,8	2 x 7,5	2 x 1,5	2 x 2	752											
BSM2V 2MXV-B 32-404/A-EMT	2 x 7,1	2 x 4,7	2 x 1,1	2 x 1,5	G 2	G 2	713	609	119	443	810	336	365	600	625	
BSM2V 2MXV-B 32-405/A-EMT	2 x 7,1	2 x 4,7	2 x 1,1	2 x 1,5				632								
BSM2V 2MXV-B 32-406/A-EMT	2 x 10,8	2 x 7,5	2 x 1,5	2 x 2				656								
BSM2V 2MXV-B 32-407/A-EMT	2 x 10,8	2 x 7,5	2 x 1,5	2 x 2				680								
BSM2V 2MXV-B 32-408/B-EMT	2 x 13,2	2 x 9,15	2 x 2,2	2 x 3				744								
BSM2V 2MXV-B 32-410/B-EMT	2 x 13,2	2 x 9,15	2 x 2,2	2 x 3	792											
BSM2V 2MXV-B 40-804/A-EMT	2 x 10,8	2 x 7,5	2 x 1,5	2 x 2	G 2 1/2	G 2 1/2	754	637	124	479	896	391	365	600	625	
BSM2V 2MXV-B 40-805/B-EMT	2 x 13,2	2 x 9,15	2 x 2,2	2 x 3				707								
BSM2V 2MXV-B 40-806/B-EMT	2 x 13,2	2 x 9,15	2 x 2,2	2 x 3				737								

(1) Anti-vibration pads kit supplied loose as standard



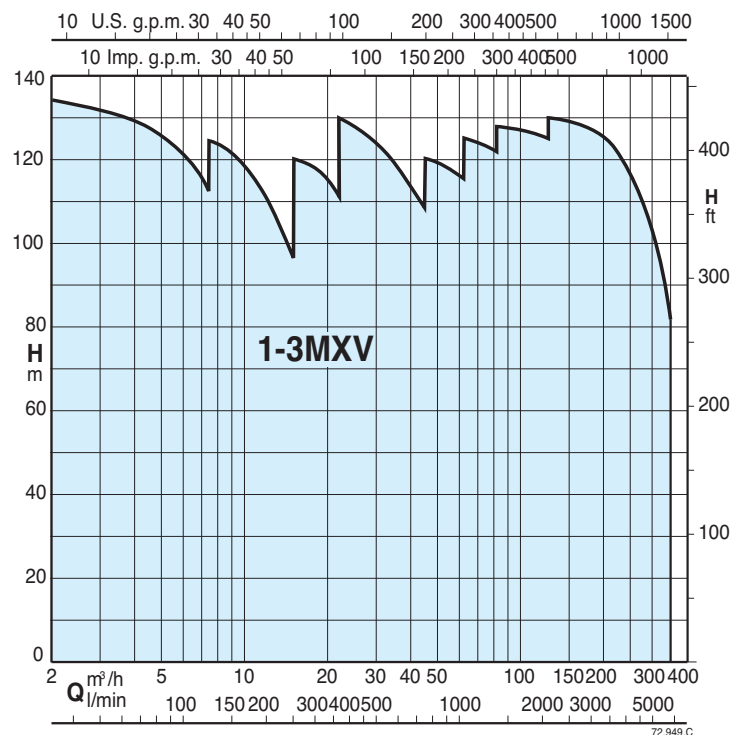
Mains: 1~ 230V Motor: 3~ 230V	mains A	motor A	P2		Connection		mm									
			kW	HP	DN1	DN2	h5	h7	h1	h2	L1	L2	m1	B	B2	
BSM3V 3MXV-B 25-204-EMT	3 x 5,4	3 x 3,3	3 x 0,75	3 x 1	G 2	G 2	711	624	134	425	766	311	406	950	1000	
BSM3V 3MXV-B 25-205-EMT	3 x 5,4	3 x 3,3	3 x 0,75	3 x 1				647								
BSM3V 3MXV-B 25-206/A-EMT	3 x 7,1	3 x 4,7	3 x 1,1	3 x 1,5				671								
BSM3V 3MXV-B 25-207/A-EMT	3 x 7,1	3 x 4,7	3 x 1,1	3 x 1,5				695								
BSM3V 3MXV-B 25-208/A-EMT	3 x 10,8	3 x 7,5	3 x 1,5	3 x 2				719								
BSM3V 3MXV-B 25-210/A-EMT	3 x 10,8	3 x 7,5	3 x 1,5	3 x 2	767											
BSM3V 3MXV-B 32-404/A-EMT	3 x 7,1	3 x 4,7	3 x 1,1	3 x 1,5	G 2 1/2	G 2 1/2	736	624	134	451	822	344	406	950	1000	
BSM3V 3MXV-B 32-405/A-EMT	3 x 7,1	3 x 4,7	3 x 1,1	3 x 1,5				647								
BSM3V 3MXV-B 32-406/A-EMT	3 x 10,8	3 x 7,5	3 x 1,5	3 x 2				671								
BSM3V 3MXV-B 32-407/A-EMT	3 x 10,8	3 x 7,5	3 x 1,5	3 x 2				695								
BSM3V 3MXV-B 32-408/B-EMT	3 x 13,2	3 x 9,15	3 x 2,2	3 x 3				759								
BSM3V 3MXV-B 32-410/B-EMT	3 x 13,2	3 x 9,15	3 x 2,2	3 x 3	807											
BSM3V 3MXV-B 40-804/A-EMT	3 x 10,8	3 x 7,5	3 x 1,5	3 x 2	G 3	G 3	776	652	139	485	895	397	406	950	1000	
BSM3V 3MXV-B 40-805/B-EMT	3 x 13,2	3 x 9,15	3 x 2,2	3 x 3				722								
BSM3V 3MXV-B 40-806/B-EMT	3 x 13,2	3 x 9,15	3 x 2,2	3 x 3				752								

Dimensions not binding to be verified when ordering

(1) Anti-vibration pads kit supplied loose as standard



## Coverage chart



## Operation

**BS 1-6F Pressure boosting sets with 1 to 6 fixed speed pump. Sets with 4,5 and 6 pumps on request.**  
Depending on the reduction of the pressure in the system, the pressure switches (pressure transducer for 3-pump sets) determine the starting up of the pumps in sequence and the microprocessor alternates the starts.

**BS2-3V Pressure boosting sets with 2 to 3 variable speed pumps (with I-MAT).**  
Depending on water consumption, one or more pumps are activated, all at variable speed, in order to guarantee the quantity of water required at the set pressure.

**BS1V2-5F Pressure boosting sets with 1 variable speed pump (with frequency converter into the control panel) and from 1 to 5 fixed speed pumps. Sets with 4,5 and 6 pumps on request.**  
According to the water consumption, one or more pumps start, one at variable speed and the others at fixed speed, to grant the water quantity required at the set pressure.

**BS1-6V Pressure boosting sets with 1 to 6 variable speed pumps (with frequency converter into the control panel). Sets with 4,5 and 6 pumps on request.**  
Depending on water consumption, one or more pumps are activated, all at variable speed, in order to guarantee the quantity of water required at the set pressure.

## Construction

- Automatic pressure boosting plant consisting of 1 to 6 vertical multi-stage pumps complete with ball, non return valve on the suction side and ball valves on the delivery side.

**Suction and delivery manifolds for boosting sets with 2,3 pumps:**  
- stainless steel AISI 304.  
Connections are located on the delivery manifold for the installation of vessels G1 connection.

**Electrical control boards:**  
- with microprocessor for fixed speed pump units. Motor starting is D.O.L. up to 5,5 kW and Y/Δ for power rating 7,5 up to 37 kW.  
- with frequency converter for variable speed pump units.

The unit includes one pressure gauge and three adjustable differential pressure switches or pressure transducer.

## Applications

To supply water in civil and industrial buildings.  
As pressure boosting pump to increase water pressure when needed (follow local rules).

## Motors

2-pole induction motors, 50 Hz,  $n \approx 2900$  rpm, suitable for operation with frequency converter.  
- Three-phase 230/400V  $\pm 10\%$  up to 3 kW;  
400/690V  $\pm 10\%$  for 4 kW to 37 kW;  
- Single-phase 230 V  $\pm 10\%$ , (on request).  
Insulation class F.  
Protection IP 55.  
Constructed in accordance with: IEC 60034.  
Other voltages and frequencies on request.

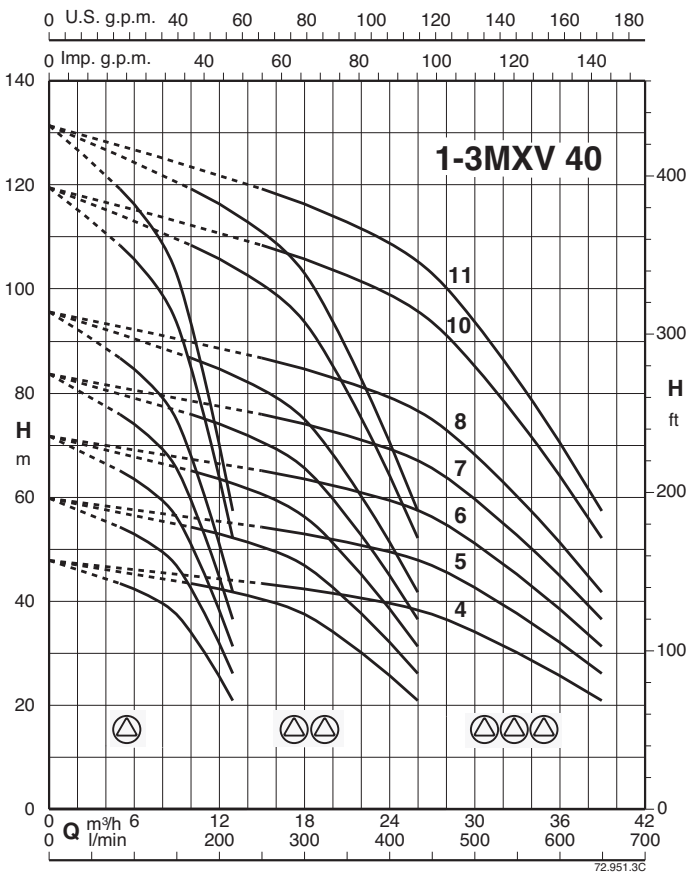
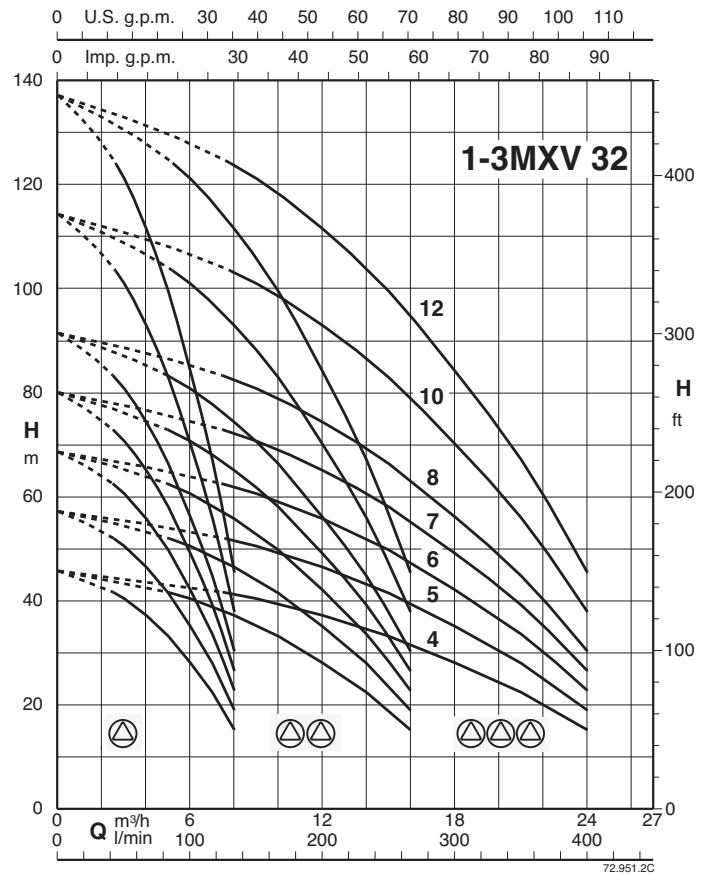
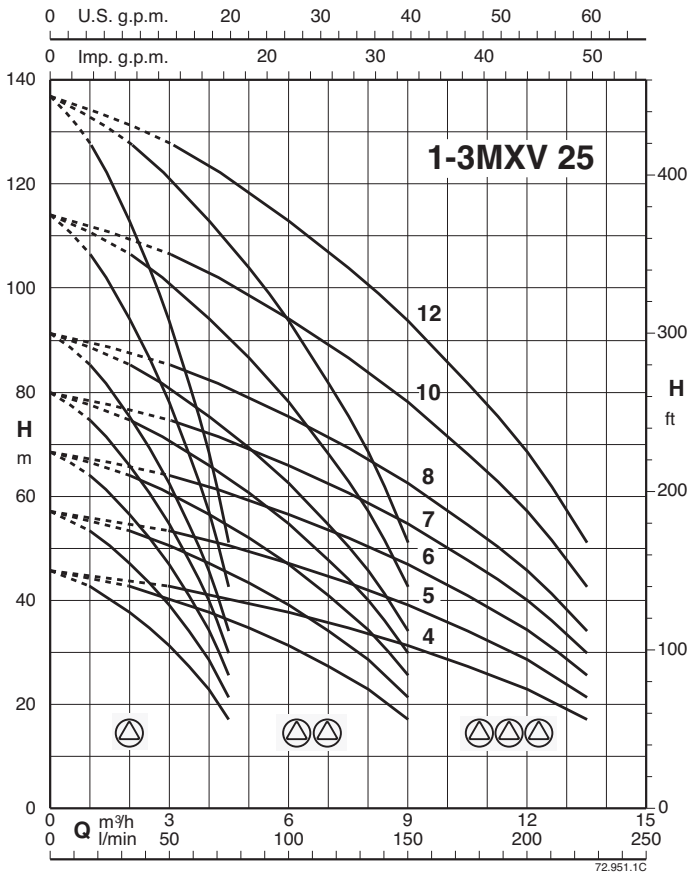
## Vessels on request

When installing the unit, connect in the delivery section to a diaphragm or galvanised tank.  
The recommended sized are shown in the following page.

## Special features on request

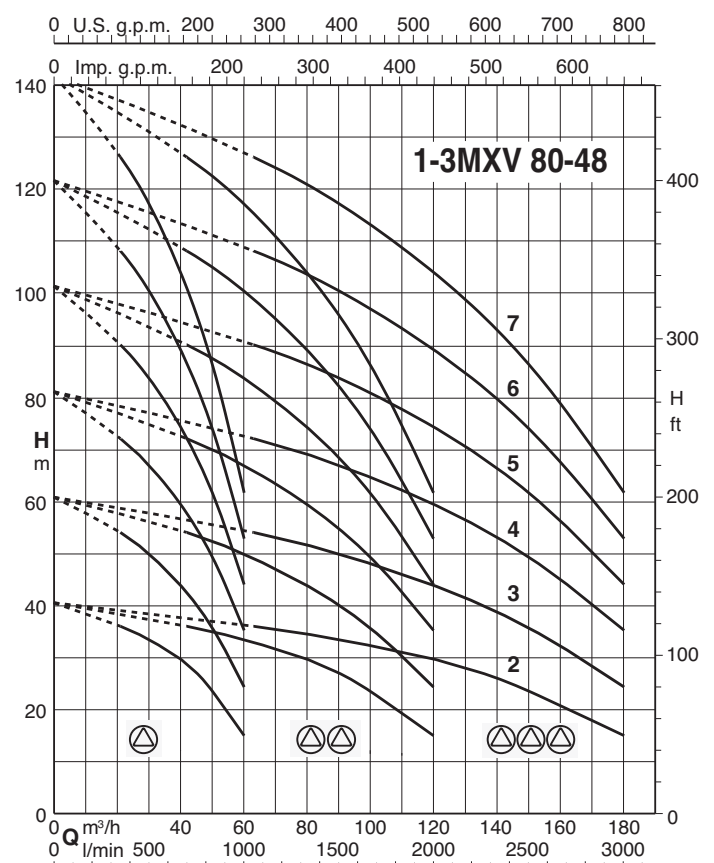
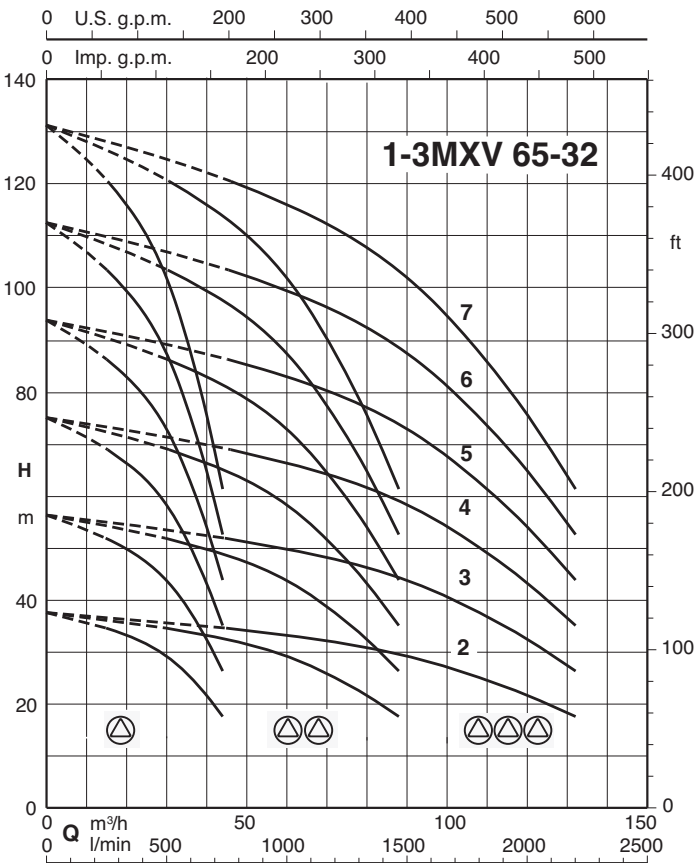
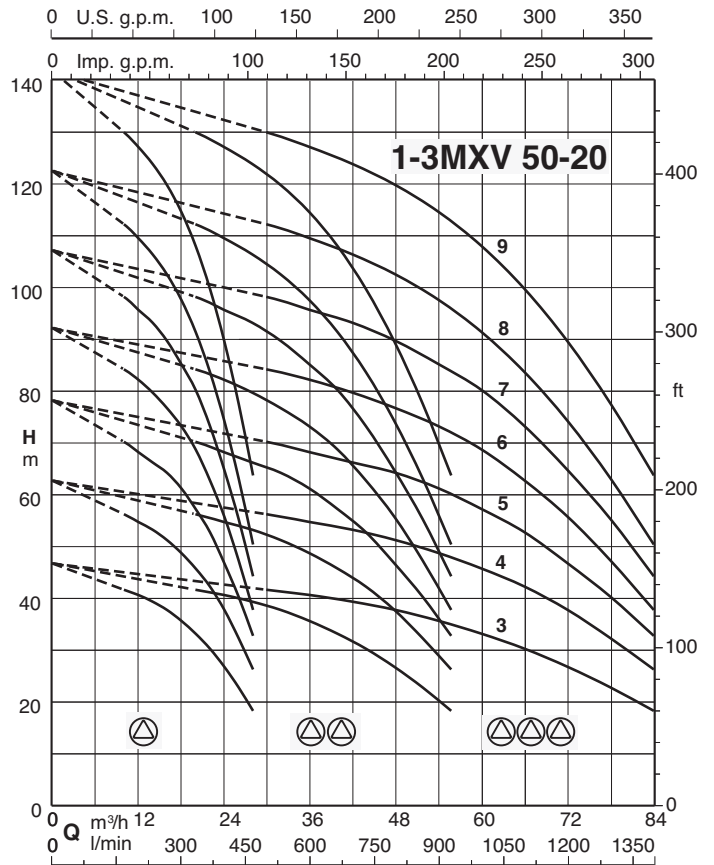
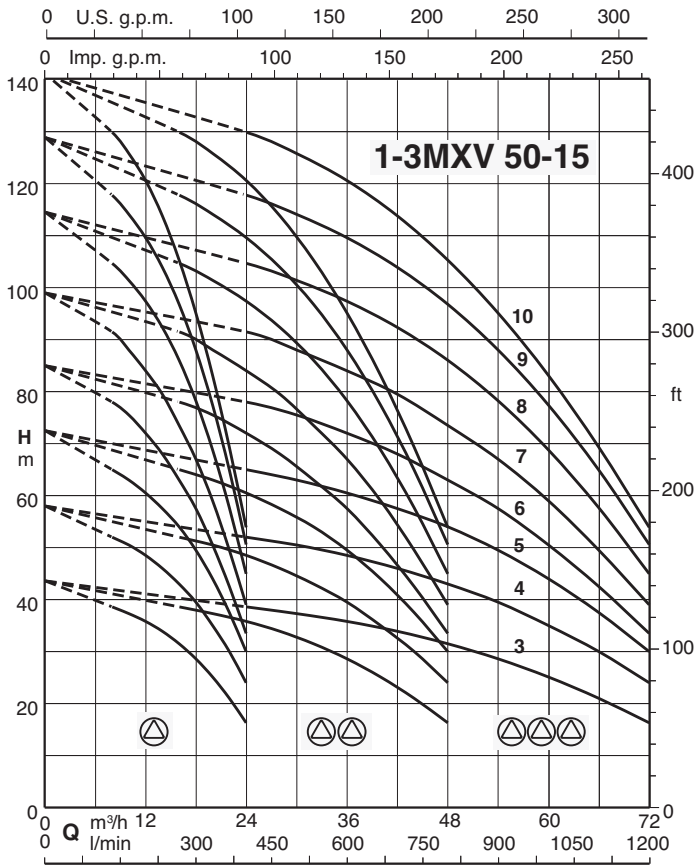
Pressure boosting sets with 4,5 and 6 pumps.

## Coverage chart

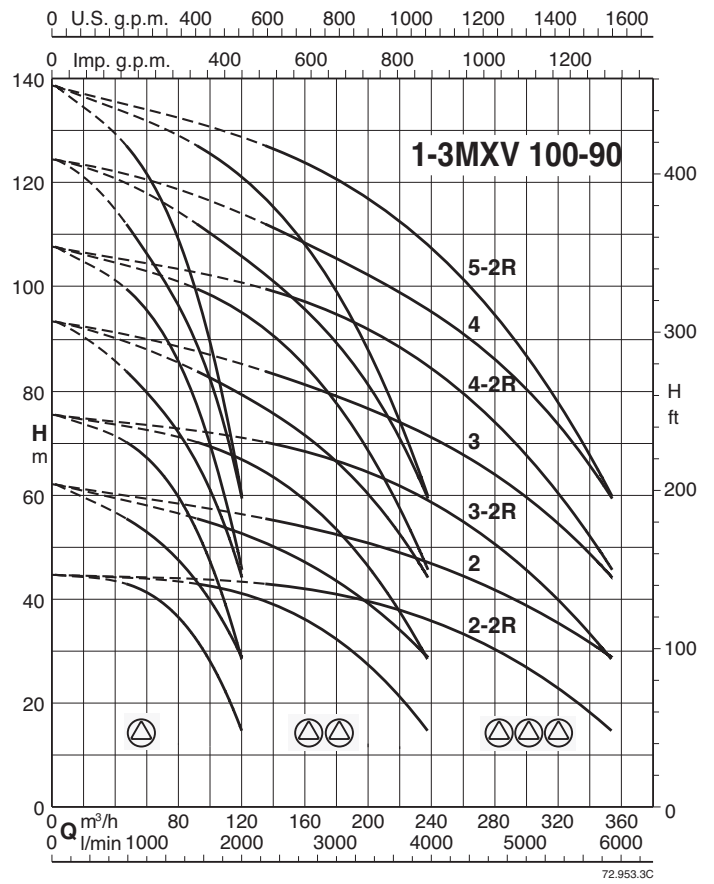
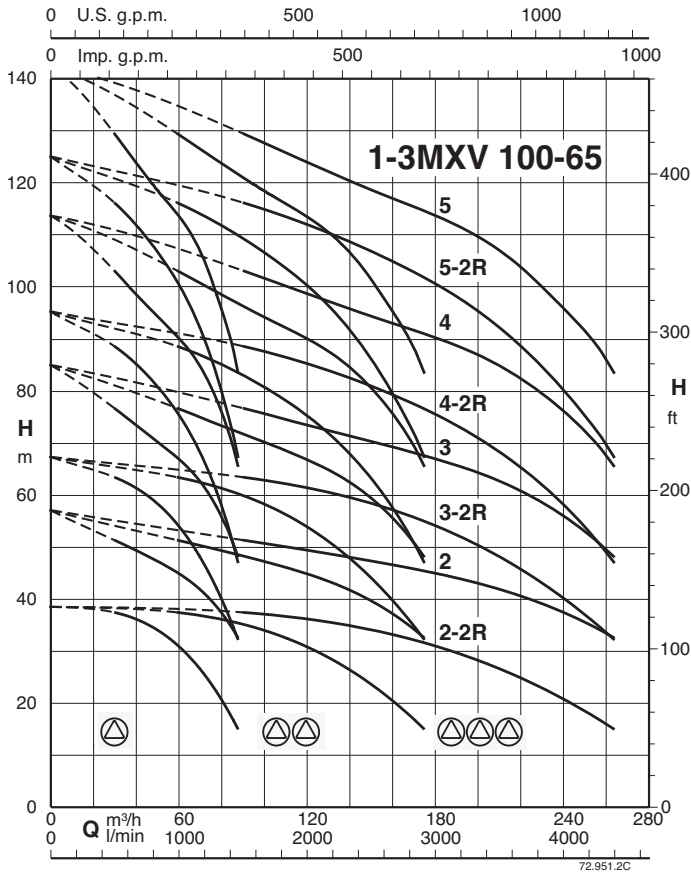




## Coverage chart



## Coverage chart



## Performance

### BS1F

### BSM1F

Mains: 400V 3~ Motor: 400V 3~	Mains: 230V 1~ Motor: 230V 1~	Motor		Pres. switch 1 bar		Vessel Membrane litre	Vessel litre
		kW	HP	min	max		
BS1F 1MXV 25-304 O	BSM1F 1MXV 25-304 O	0,75	1	2,5	4	40	100
BS1F 1MXV 25-305 O	BSM1F 1MXV 25-305 O	0,75	1	3,5	5	50	100
BS1F 1MXV 25-306 O	BSM1F 1MXV 25-306 O	1,1	1,5	4	6	50	100
BS1F 1MXV 25-307 O	BSM1F 1MXV 25-307 O	1,1	1,5	5	7	60	100
BS1F 1MXV 25-308 O	BSM1F 1MXV 25-308 O	1,5	2	6	8	100	100
BS1F 1MXV 25-310 O		1,5	2	6,5	8,5	100	200
BS1F 1MXV 25-312 O		2,2	3	8	10	200	200
BS1F 1MXV 32-504 O	BSM1F 1MXV 32-504 O	1,1	1,5	2,3	3,8	100	100
BS1F 1MXV 32-505 O	BSM1F 1MXV 32-505 O	1,1	1,5	3,4	4,9	100	200
BS1F 1MXV 32-506 O	BSM1F 1MXV 32-506 O	1,5	2	4	6	100	200
BS1F 1MXV 32-507 O	BSM1F 1MXV 32-507 O	1,5	2	5	7	100	200
BS1F 1MXV 32-508 O		2,2	3	6	8	200	300
BS1F 1MXV 32-510 O		2,2	3	7	9	300	500
BS1F 1MXV 32-512 O		3	4	8,5	10,5	300	500
BS1F 1MXV 40-904 O	BSM1F 1MXV 40-904 O	1,5	2	2,5	4	200	300
BS1F 1MXV 40-905 O		2,2	3	3,5	5	300	500
BS1F 1MXV 40-906 O		2,2	3	4	6	300	500
BS1F 1MXV 40-907 O		3	4	5	7	500	800
BS1F 1MXV 40-908 O		3	4	6	8	500	800
BS1F 1MXV 40-910 O		4	5,5	8	10	1000	1000
BS1F 1MXV 40-911 O		4	5,5	9	11	1000	1000
BS1F 1MXV 50-1503/A		2,2	3	2,7	3,5	500	1000
BS1F 1MXV 50-1504		3	4	3,2	4,7	500	1000
BS1F 1MXV 50-1505		4	5,5	4,3	5,9	500	1000
BS1F 1MXV 50-1506		5,5	7,5	5,3	7,1	500	1000
BS1F 1MXV 50-1507		5,5	7,5	6,4	8,3	750	1000
BS1F 1MXV 50-1508/A		5,5	7,5	7,5	9,6	750	1000
BS1F 1MXV 50-1509		7,5	10	9,3	10,8	1000	1500
BS1F 1MXV 50-1510		7,5	10	10,4	11,9	1000	1500
BS1F 1MXV 50-2003		3	4	3,0	3,8	750	1000
BS1F 1MXV 50-2004		4	5,5	3,5	5,1	750	1000
BS1F 1MXV 50-2005		5,5	7,5	4,7	6,4	750	1000
BS1F 1MXV 50-2006		7,5	10	5,8	7,7	750	1000
BS1F 1MXV 50-2007		7,5	10	6,9	8,9	1000	1500
BS1F 1MXV 50-2008		9,2	12,5	8,7	10,2	1000	2000
BS1F 1MXV 50-2009		9,2	12,5	10,4	11,9	1500	2000
BS1F 1MXV 65-3202/D		4	5,5	2	3	1000	2000
BS1F 1MXV 65-3203/C		5,5	7,5	3,3	4,8	1500	3000
BS1F 1MXV 65-3204/C		7,5	10	4,5	6,5	1500	3000
BS1F 1MXV 65-3205/D		11	15	6	8	2000	4000
BS1F 1MXV 65-3206/D		11	15	6,5	9,5	3000	4000
BS1F 1MXV 65-3207/D		15	20	7,5	10,5	4000	5000
BS1F 1MXV 80-4802/C		5,5	7,5	2	3,2	1500	3000
BS1F 1MXV 80-4803/C		7,5	10	3,5	5	2000	3000
BS1F 1MXV 80-4804/D		11	15	4,5	6,5	3000	4000
BS1F 1MXV 80-4805/D		15	20	6	8	4000	5000
BS1F 1MXV 80-4806/D		15	20	6,5	9,5	5000	-
BS1F 1MXV 80-4807/E		18,5	25	8	11	5000	-

## Performance

### BS2F

### BSM2F

Mains: 400V 3~ Motor: 400V 3~	Mains: 230V 1~ Motor: 230V 1~	Motor		Pres. switch 1 bar		Pres. switch 2 bar		Vessel Membrane litre	Vessel litre
		kW	HP	min	max	min	max		
BS2F 2MXV 25-304 O	BSM2F 2MXV 25-304 O	0,75 x2	1 x2	2,5	4	2,2	3,7	40	100
BS2F 2MXV 25-305 O	BSM2F 2MXV 25-305 O	0,75 x2	1 x2	3,5	5	3	4,5	50	100
BS2F 2MXV 25-306 O	BSM2F 2MXV 25-306 O	1,1 x2	1,5 x2	4	6	3,5	5,5	50	100
BS2F 2MXV 25-307 O	BSM2F 2MXV 25-307 O	1,1 x2	1,5 x2	5	7	4,5	6,5	60	100
BS2F 2MXV 25-308 O	BSM2F 2MXV 25-308 O	1,5 x2	2 x2	6	8	5,5	7,5	100	100
BS2F 2MXV 25-310 O		1,5 x2	2 x2	6,5	8,5	6	8	100	200
BS2F 2MXV 25-312 O		2,2 x2	3 x2	8	10	7,5	9,5	200	200
BS2F 2MXV 32-504 O	BSM2F 2MXV 32-504 O	1,1 x2	1,5 x2	2,3	3,8	1,8	3,3	100	100
BS2F 2MXV 32-505 O	BSM2F 2MXV 32-505 O	1,1 x2	1,5 x2	3,4	4,9	3	4,5	100	200
BS2F 2MXV 32-506 O	BSM2F 2MXV 32-506 O	1,5 x2	2 x2	4	6	3,5	5,5	100	200
BS2F 2MXV 32-507 O	BSM2F 2MXV 32-507 O	1,5 x2	2 x2	5	7	4,5	6,5	100	200
BS2F 2MXV 32-508 O		2,2 x2	3 x2	6	8	5,5	7,5	200	300
BS2F 2MXV 32-510 O		2,2 x2	3 x2	7	9	6,5	8,5	300	500
BS2F 2MXV 32-512 O		3 x2	4 x2	8,5	10,5	8	10	300	500
BS2F 2MXV 40-904 O	BSM2F 2MXV 40-904 O	1,5 x2	2 x2	2,5	4	2,2	3,7	200	300
BS2F 2MXV 40-905 O		2,2 x2	3 x2	3,5	5	3	4,5	300	500
BS2F 2MXV 40-906 O		2,2 x2	3 x2	4	6	3,5	5,5	300	500
BS2F 2MXV 40-907 O		3 x2	4 x2	5	7	4,5	6,5	500	800
BS2F 2MXV 40-908 O		3 x2	4 x2	6	8	5,5	7,5	500	800
BS2F 2MXV 40-910 O		4 x2	5,5 x2	8	10	7,5	9,5	1000	1000
BS2F 2MXV 40-911 O		4 x2	5,5 x2	9	11	8,5	10,5	1000	1000
BS2F 2MXV 50-1503/A		2,2 x2	3 x2	2,7	3,5	2,4	3,2	500	1000
BS2F 2MXV 50-1504		3 x2	4 x2	3,2	4,7	2,9	4,4	500	1000
BS2F 2MXV 50-1505		4 x2	5,5 x2	4,3	5,9	4,0	5,6	500	1000
BS2F 2MXV 50-1506		5,5 x2	7,5 x2	5,3	7,1	5,0	6,8	500	1000
BS2F 2MXV 50-1507		5,5 x2	7,5 x2	6,4	8,3	6,1	8,0	750	1000
BS2F 2MXV 50-1508/A		5,5 x2	7,5 x2	7,5	9,6	7,2	9,3	750	1000
BS2F 2MXV 50-1509		7,5 x2	10 x2	9,3	10,8	9,0	10,5	1000	1500
BS2F 2MXV 50-1510		7,5 x2	10 x2	10,4	11,9	10,1	11,6	1000	1500
BS2F 2MXV 50-2003		3 x2	4 x2	3,0	3,8	2,7	3,5	750	1000
BS2F 2MXV 50-2004		4 x2	5,5 x2	3,5	5,1	3,3	4,8	750	1000
BS2F 2MXV 50-2005		5,5 x2	7,5 x2	4,7	6,4	4,4	6,1	750	1000
BS2F 2MXV 50-2006		7,5 x2	10 x2	5,8	7,7	5,5	7,4	750	1000
BS2F 2MXV 50-2007		7,5 x2	10 x2	6,9	8,9	6,6	8,6	100	1500
BS2F 2MXV 50-2008		9,2 x2	12,5 x2	8,7	10,2	8,4	9,9	1000	2000
BS2F 2MXV 50-2009		9,2 x2	12,5 x2	10,4	11,9	10,1	11,6	1500	2000
BS2F 2MXV 65-3202/D		4 x2	5,5 x2	2	3	1,7	2,7	1000	2000
BS2F 2MXV 65-3203/C		5,5 x2	7,5 x2	3,3	4,8	2,8	4,3	1500	3000
BS2F 2MXV 65-3204/C		7,5 x2	10 x2	4,5	6,5	4	6	1500	3000
BS2F 2MXV 65-3205/D		11 x2	15 x2	6	8	5,5	7,5	2000	4000
BS2F 2MXV 65-3206/D		11 x2	15 x2	6,5	9,5	6	9	3000	4000
BS2F 2MXV 65-3207/D		15 x2	20 x2	7,5	10,5	7	10	4000	5000
BS2F 2MXV 80-4802/C		5,5 x2	7,5 x2	2	3,2	1,6	2,8	1500	3000
BS2F 2MXV 80-4803/C		7,5 x2	10 x2	3,5	5	3	4,5	2000	3000
BS2F 2MXV 80-4804/D		11 x2	15 x2	4,5	6,5	4	6	3000	4000
BS2F 2MXV 80-4805/D		15 x2	20 x2	6	8	5,5	7,5	4000	5000
BS2F 2MXV 80-4806/D		15 x2	20 x2	6,5	9,5	6	9	5000	-
BS2F 2MXV 80-4807/E		18,5 x2	25 x2	8	11	7,5	10,5	5000	-
BS2F 2MXV 100-6502-2R		7,5 x2	10 x2	2,2	2,8	1,9	2,5	3000	-
BS2F 2MXV 100-6502		11 x2	15 x2	3,8	4,4	3,5	4,1	-	-
BS2F 2MXV 100-6503-2R		15 x2	20 x2	4,3	4,9	4	4,6	-	-
BS2F 2MXV 100-6503/A		18,5 x2	25 x2	5,8	6,7	5,3	6,2	-	-
BS2F 2MXV 100-6504-2R/A		18,5 x2	25 x2	7,2	8,4	6,6	7,8	-	-
BS2F 2MXV 100-6504		22 x2	30 x2	7,7	8,9	7,1	8,3	-	-
BS2F 2MXV 100-6505-2R		30 x2	40 x2	8,3	9,8	7,5	9	-	-
BS2F 2MXV 100-6505		30 x2	40 x2	9,8	11,3	9	10,5	-	-
BS2F 2MXV 100-9002-2R		11 x2	15 x2	2,9	3,9	2,4	3,4	-	-
BS2F 2MXV 100-9002		15 x2	20 x2	3,7	5,2	3	4,5	-	-
BS2F 2MXV 100-9003-2R/A		18,5 x2	25 x2	4,6	6,1	4,1	5,6	-	-
BS2F 2MXV 100-9003		22 x2	30 x2	6,2	7,7	5,4	6,9	-	-
BS2F 2MXV 100-9004-2R		30 x2	40 x2	7,4	8,9	6,6	8,1	-	-
BS2F 2MXV 100-9004		30 x2	40 x2	8,5	10	7,8	9,3	-	-
BS2F 2MXV 100-9005-2R		37 x2	50 x2	9,5	11	8,8	10,3	-	-

## Performance

### BS3F

Mains: 400V 3~ Motor: 400V 3~	Motor		Pressure transducer bar		Vessel Membrane litre	Vessel litre
	kW	HP	min	max		
BS3F 3MXV 25-304 O	0,75 x3	1 x3	3	3,9	60	100
BS3F 3MXV 25-305 O	0,75 x3	1 x3	3,3	4,8	80	100
BS3F 3MXV 25-306 O	1,1 x3	1,5 x3	4,1	5,8	80	100
BS3F 3MXV 25-307 O	1,1 x3	1,5 x3	5	6,7	100	100
BS3F 3MXV 25-308 O	1,5 x3	2 x3	5,9	7,8	100	100
BS3F 3MXV 25-310 O	1,5 x3	2 x3	7,5	9,7	150	200
BS3F 3MXV 25-312 O	2,2 x3	3 x3	10,1	11,6	200	300
BS3F 3MXV 32-504 O	1,1 x3	1,5 x3	3	3,8	300	500
BS3F 3MXV 32-505 O	1,1 x3	1,5 x3	3,2	4,7	200	300
BS3F 3MXV 32-506 O	1,5 x3	2 x3	4	5,7	200	300
BS3F 3MXV 32-507 O	1,5 x3	2 x3	4,9	6,6	300	500
BS3F 3MXV 32-508 O	2,2 x3	3 x3	5,7	7,6	300	500
BS3F 3MXV 32-510 O	2,2 x3	3 x3	7,4	9,5	200	300
BS3F 3MXV 32-512 O	3 x3	4 x3	9,8	11,3	300	500
BS3F 3MXV 40-904 O	1,5 x3	2 x3	3	3,9	500	800
BS3F 3MXV 40-905 O	2,2 x3	3 x3	3,4	4,9	500	800
BS3F 3MXV 40-906 O	2,2 x3	3 x3	4,3	5,9	500	800
BS3F 3MXV 40-907 O	3 x3	4 x3	5,1	6,9	750	1000
BS3F 3MXV 40-908 O	3 x3	4 x3	6	7,9	500	800
BS3F 3MXV 40-910 O	4 x3	5,5 x3	7,8	9,9	500	1000
BS3F 3MXV 40-911 O	4 x3	5,5 x3	9,4	10,9	1000	1500
BS3F 3MXV 50-1503/A	2,2 x3	3 x3	2,7	3,5	750	1500
BS3F 3MXV 50-1504	3 x3	4 x3	3,2	4,7	750	1500
BS3F 3MXV 50-1505	4 x3	5,5 x3	4,3	5,9	750	1500
BS3F 3MXV 50-1506	5,5 x3	7,5 x3	5,3	7,1	750	1500
BS3F 3MXV 50-1507	5,5 x3	7,5 x3	6,4	8,3	750	1500
BS3F 3MXV 50-1508/A	5,5 x3	7,5 x3	7,5	9,6	750	1500
BS3F 3MXV 50-1509	7,5 x3	10 x3	9,3	10,8	750	1500
BS3F 3MXV 50-1510	7,5 x3	10 x3	10,4	11,9	750	1500
BS3F 3MXV 50-2003	3 x3	4 x3	3	3,8	750	1500
BS3F 3MXV 50-2004	4 x3	5,5 x3	3,5	5,1	750	1500
BS3F 3MXV 50-2005	5,5 x3	7,5 x3	4,7	6,4	750	1500
BS3F 3MXV 50-2006	7,5 x3	10 x3	5,8	7,7	750	1500
BS3F 3MXV 50-2007	7,5 x3	10 x3	6,9	8,9	750	1500
BS3F 3MXV 50-2008	9,2 x3	12,5 x3	8,7	10,2	750	1500
BS3F 3MXV 50-2009	9,2 x3	12,5 x3	10,4	11,9	750	1500
BS3F 3MXV 65-3202/D	4 x3	5,5 x3	2,3	3,1	2000	4000
BS3F 3MXV 65-3203/C	5,5 x3	7,5 x3	3,2	4,7	2000	3000
BS3F 3MXV 65-3204/C	7,5 x3	10 x3	4,6	6,3	2000	4000
BS3F 3MXV 65-3205/D	11 x3	15 x3	5,9	7,8	3000	4000
BS3F 3MXV 65-3206/D	11 x3	15 x3	7,3	9,4	3000	5000
BS3F 3MXV 65-3207/D	15 x3	20 x3	9,5	11	-	6000
BS3F 3MXV 80-4802/C	5,5 x3	7,5 x3	2,5	3,3	3000	6000
BS3F 3MXV 80-4803/C	7,5 x3	10 x3	3,4	4,9	2000	4000
BS3F 3MXV 80-4804/D	11 x3	15 x3	4,8	6,6	3000	5000
BS3F 3MXV 80-4805/D	15 x3	20 x3	6,3	8,2	-	6000
BS3F 3MXV 80-4806/D	15 x3	20 x3	7,7	9,8	-	6000
BS3F 3MXV 80-4807/E	18,5 x3	25 x3	10	11,5	-	9000
BS3F 3MXV 100-6502-2R	7,5 x3	10 x3	2,6	3,4	-	-
BS3F 3MXV 100-6502	11 x3	15 x3	3,2	4,7	-	-
BS3F 3MXV 100-6503-2R	15 x3	20 x3	4,1	5,8	-	-
BS3F 3MXV 100-6503/A	18,5 x3	25 x3	5,1	6,9	-	-
BS3F 3MXV 100-6504-2R/A	18,5 x3	25 x3	6,1	8,1	-	-
BS3F 3MXV 100-6504	22 x3	30 x3	7,2	9,3	-	-
BS3F 3MXV 100-6505-2R	30 x3	40 x3	9,1	10,6	-	-
BS3F 3MXV 100-6505	30 x3	40 x3	10,3	11,8	-	-
BS3F 3MXV 100-9002-2R	11 x3	15 x3	3	3,9	-	-
BS3F 3MXV 100-9002	15 x3	20 x3	3,6	5,1	-	-
BS3F 3MXV 100-9003-2R/A	18,5 x3	25 x3	4,7	6,4	-	-
BS3F 3MXV 100-9003	22 x3	30 x3	5,8	7,7	-	-
BS3F 3MXV 100-9004-2R	30 x3	40 x3	7,1	9,1	-	-
BS3F 3MXV 100-9004	30 x3	40 x3	8,7	10,2	-	-
BS3F 3MXV 100-9005-2R	37 x3	50 x3	10,1	11,6	-	-

## Performance

### BS..

PUMPS Nos						PUMP TYPE	P <sub>2</sub> For each pump	
1	2	3	4	5	6		kW	HP
BS1V BSM1V	BS2V BS1V1F BSM1V1F* BSM2V**	BS3V BS1V2F	BS4V BS1V3F	BS5V BS1V4F	BS6V BS1V5F		MXV 25-304 O	0,75
						MXV 25-305 O	0,75	1
						MXV 25-306 O	1,1	1,5
						MXV 25-307 O	1,1	1,5
						MXV 25-308 O	1,5	2
						MXV 25-310 O	1,5	2
						MXV 25-312 O	2,2	3
						MXV 32-504 O	1,1	1,5
						MXV 32-505 O	1,1	1,5
						MXV 32-506 O	1,5	2
						MXV 32-507 O	1,5	2
						MXV 32-508 O	2,2	3
						MXV 32-510 O	2,2	3
						MXV 32-512 O	3	4
						MXV 40-904 O	1,5	2
						MXV 40-905 O	2,2	3
						MXV 40-906 O	2,2	3
						MXV 40-907 O	3	4
						MXV 40-908 O	3	4
						MXV 40-910 O	4	5,5
						MXV 40-911 O	4	5,5
						MXV 50-1503/A	2,2	3
						MXV 50-1504	3	4
						MXV 50-1505	4	5,5
						MXV 50-1506	5,5	7,5
						MXV 50-1507	5,5	7,5
						MXV 50-1508/A	5,5	7,5
						MXV 50-1509	7,5	10
						MXV 50-1510	7,5	10
						MXV 50-2003	3	4
						MXV 50-2004	4	5,5
						MXV 50-2005	5,5	7,5
						MXV 50-2006	7,5	10
						MXV 50-2007	7,5	10
						MXV 50-2008	9,2	12,5
						MXV 50-2009	9,2	12,5
						MXV 65-3202/D	4	5,5
						MXV 65-3203/C	5,5	7,5
						MXV 65-3204/C	7,5	10
						MXV 65-3205/D	11	15
						MXV 65-3206/D	11	15
						MXV 65-3207/D	15	20
						MXV 80-4802/C	5,5	7,5
						MXV 80-4803/C	7,5	10
						MXV 80-4804/D	11	15
MXV 80-4805/D	15	20						
MXV 80-4806/D	15	20						
MXV 80-4807/E	18,5	25						
MXV 100-6502-2R	7,5	10						
MXV 100-6502	11	15						
MXV 100-6503-2R	15	20						
MXV 100-6503/A	18,5	25						
MXV 100-6504-2R/A	18,5	25						
MXV 100-6504	22	30						
MXV 100-6505-2R	30	40						
MXV 100-6505	30	40						
MXV 100-9002-2R	11	15						
MXV 100-9002	15	20						
MXV 100-9003-2R/A	18,5	25						
MXV 100-9003	22	30						
MXV 100-9004-2R	30	40						
MXV 100-9004	30	40						
MXV 100-9005-2R	37	50						

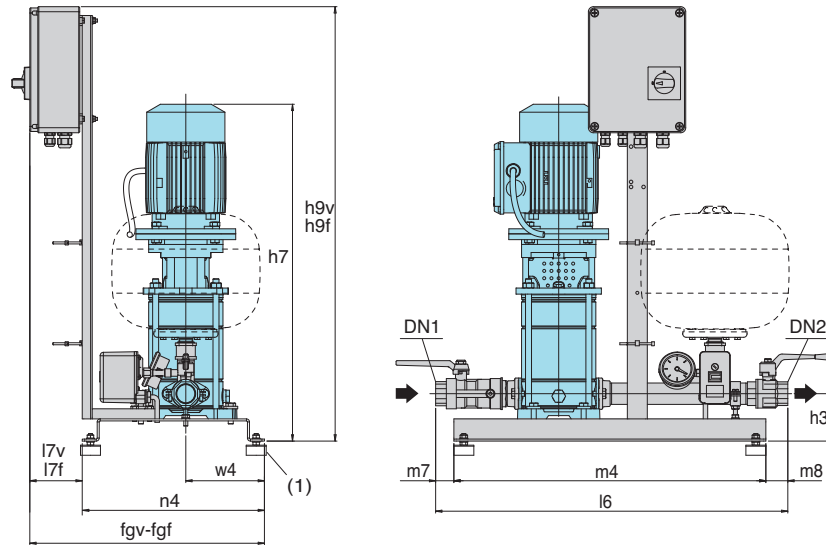
### BS.. ..-ITT

PUMPS Nos		PUMP TYPE	P <sub>2</sub> For each pump	
2	3		kW	HP
BS2V -ITT	BS3V -ITT		MXV 25-304 O-ITT	0,75
		MXV 25-305 O-ITT	0,75	1
		MXV 25-306 O-ITT	1,1	1,5
		MXV 25-307 O-ITT	1,1	1,5
		MXV 25-308 O-ITT	1,5	2
		MXV 25-310 O-ITT	1,5	2
		MXV 25-312 O-ITT	2,2	3
		MXV 32-504 O-ITT	1,1	1,5
		MXV 32-505 O-ITT	1,1	1,5
		MXV 32-506 O-ITT	1,5	2
		MXV 32-507 O-ITT	1,5	2
		MXV 32-508 O-ITT	2,2	3
		MXV 32-510 O-ITT	2,2	3
		MXV 32-512 O-ITT	3	4
		MXV 40-904 O-ITT	1,5	2
		MXV 40-905 O-ITT	2,2	3
		MXV 40-906 O-ITT	2,2	3
		MXV 40-907 O-ITT	3	4
		MXV 40-908 O-ITT	3	4
		MXV 40-910 O-ITT	4	5,5
		MXV 40-911 O-ITT	4	5,5
		MXV 50-1503/A-ITT	2,2	3
		MXV 50-1504-ITT	3	4
		MXV 50-1505-ITT	4	5,5
		MXV 50-1506-ITT	5,5	7,5
		MXV 50-1507-ITT	5,5	7,5
		MXV 50-1508/A-ITT	5,5	7,5
		MXV 50-1509-ITT	7,5	10
		MXV 50-1510-ITT	7,5	10
		MXV 50-2003-ITT	3	4
		MXV 50-2004-ITT	4	5,5
		MXV 50-2005-ITT	5,5	7,5
		MXV 50-2006-ITT	7,5	10
		MXV 50-2007-ITT	7,5	10
		MXV 50-2008-ITT	9,2	12,5
		MXV 50-2009-ITT	9,2	12,5
		MXV 65-3202/D-ITT	4	5,5
		MXV 65-3203/C-ITT	5,5	7,5
		MXV 65-3204/C-ITT	7,5	10
		MXV 65-3205/D-ITT	11	15
		MXV 65-3206/D-ITT	11	15
		MXV 65-3207/D-ITT	15	20
		MXV 80-4801/D-ITT	4	5,5
		MXV 80-4802/C-ITT	5,5	7,5
		MXV 80-4803/C-ITT	7,5	10
MXV 80-4804/D-ITT	11	15		
MXV 80-4805/D-ITT	15	20		
MXV 80-4806/D-ITT	15	20		
MXV 80-4807/E-ITT	18,5	25		
MXV 100-6501-ITT	5,5	7,5		
MXV 100-6502-2R-ITT	7,5	10		
MXV 100-6502-ITT	11	15		
MXV 100-6503-2R-ITT	15	20		
MXV 100-6503/A-ITT	18,5	25		
MXV 100-6504-2R/A-ITT	18,5	25		
MXV 100-6504-ITT	22	30		
MXV 100-9001-1R-ITT	5,5	7,5		
MXV 100-9001-ITT	7,5	10		
MXV 100-9002-2R-ITT	11	15		
MXV 100-9002-ITT	15	20		
MXV 100-9003-2R/A-ITT	18,5	25		
MXV 100-9003-ITT	22	30		

(\*) SYSTEMS WITH:  
1 variable speed pump three-phase motor  
1 fixed speed pump single-phase motor  
Power supply to control panel 230 V  
single-phase

(\*\*) Three-phase motor 230 V.  
Power supply to control panel:  
- 230 V three-phase  
- 230 V single-phase  
Frequency converter output is always  
230 V three-phase.

## Dimensions and weights



TYPE	TYPE	Connection		mm														
		DN1	DN2	h9f	h9v	h7	h3	m4	m7	m8	l6	n4	w4	fgf	fgv	l7f	l7v	
BS1. 1 MXV 25-304 O	BSM1. 1 MXV 25-304 O					666												
BS1. 1 MXV 25-305 O	BSM1. 1 MXV 25-305 O					690												
BS1. 1 MXV 25-306 O	BSM1. 1 MXV 25-306 O					714												
BS1. 1 MXV 25-307 O	BSM1. 1 MXV 25-307 O	G 1	G 1	862	1144	738	94	625	15	11	651	365	158	470	574	105	209	
BS1. 1 MXV 25-308 O	BSM1. 1 MXV 25-308 O					762												
BS1. 1 MXV 25-310 O						811												
BS1. 1 MXV 25-312 O						899												
BS1. 1 MXV 32-504 O	BSM1. 1 MXV 32-504 O					666												
BS1. 1 MXV 32-505 O	BSM1. 1 MXV 32-505 O					690												
BS1. 1 MXV 32-506 O	BSM1. 1 MXV 32-506 O					714												
BS1. 1 MXV 32-507 O	BSM1. 1 MXV 32-507 O	G 1 1/4	G 1 1/4	862	1144	738	94	625	37	44	706	365	158	470	574	105	209	
BS1. 1 MXV 32-508 O						802												
BS1. 1 MXV 32-510 O						851												
BS1. 1 MXV 32-512 O						915												
BS1. 1 MXV 40-904 O	BSM1. 1 MXV 40-904 O					711									574		209	
BS1. 1 MXV 40-905 O						781									574		209	
BS1. 1 MXV 40-906 O						811									574		209	
BS1. 1 MXV 40-907 O						857	124	625	87	79	790	365	160	470	574	105	209	
BS1. 1 MXV 40-908 O						887									574		209	
BS1. 1 MXV 40-910 O						947									638		273	
BS1. 1 MXV 40-911 O						977									638		273	

Dimensions not binding to be verified when ordering

(1) Anti-vibration pads kit supplied loose as standard

h9f-l7f= Fixed speed boosting sets  
h9v-l7v= Variable speed boosting sets

## Dimensions and weights

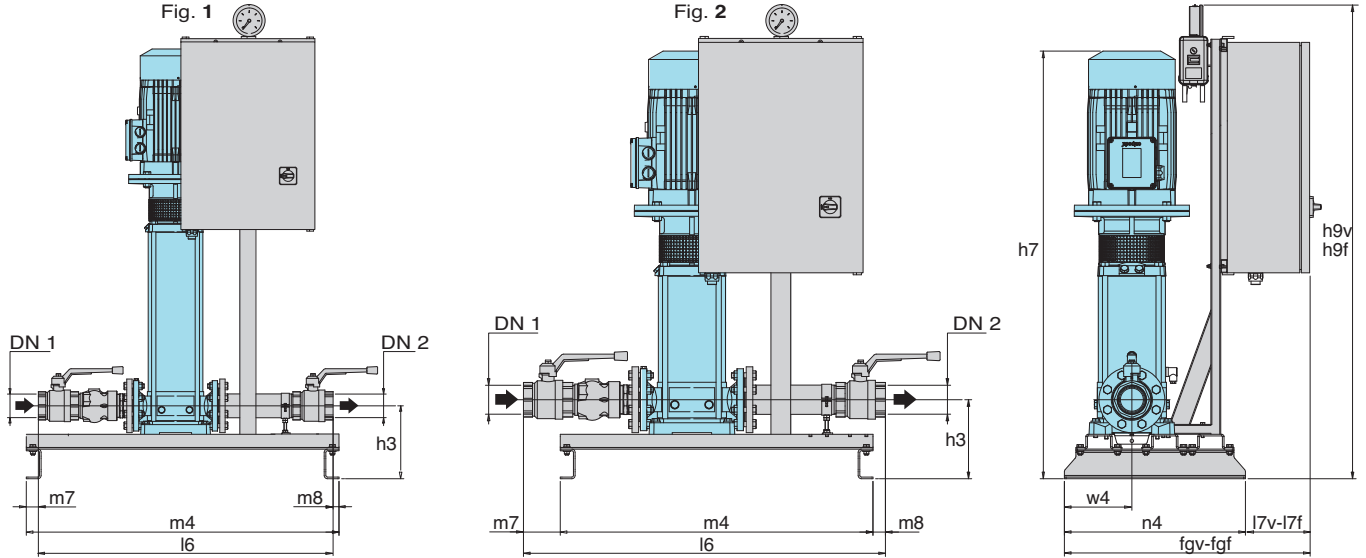


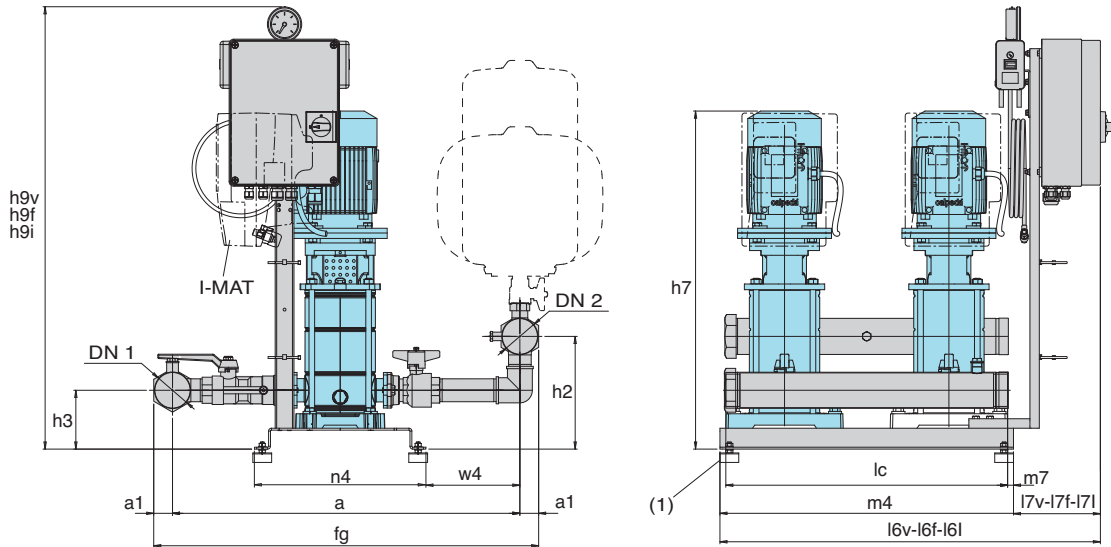
Fig.	TYPE	Connection		mm															
		DN 1	DN 2	h9v	h9f	h7	h3	m4	m7	m8	l6	n4	w4	fgv	fgf	l7v	l7f		
1	BS1. 1MXV 50-1503/A	G 2	G 2	1335	1155	934									681	550	131	0	
	BS1. 1MXV 50-1504			1335	1155	980									681	550	131	0	
	BS1. 1MXV 50-1505			1344	1155	1028										745	550	195	0
	BS1. 1MXV 50-1506			1344	1155	1167										745	550	195	0
	BS1. 1MXV 50-1507			1344	1155	1215	225	950	27	4	919	550	205			745	550	195	0
	BS1. 1MXV 50-1508/A			1344	1420	1263										745	695	195	145
	BS1. 1MXV 50-1509			1344	1420	1311										745	695	195	145
BS1. 1MXV 50-1510	1344	1420	1359										745	695	195	145			
1	BS1. 1MXV 50-2003	G 2	G 2	1335	1155	932								681	550	131	0		
	BS1. 1MXV 50-2004			1344	1155	967									745	550	195	0	
	BS1. 1MXV 50-2005			1344	1155	1119										745	550	195	0
	BS1. 1MXV 50-2006			1344	1420	1167	225	950	27	4	919	550	205			745	695	195	145
	BS1. 1MXV 50-2007			1344	1420	1215										745	695	195	145
	BS1. 1MXV 50-2008			1344	1420	1367										745	695	195	145
BS1. 1MXV 50-2009	1344	1420	1415										745	695	195	145			
2	BS1. 1MXV 65-3202/D	G 2 1/2	G 2 1/2	1344	1155	853								745	550	195	0		
	BS1. 1MXV 65-3203/C			1344	1155	947									745	550	195	0	
	BS1. 1MXV 65-3204/C			1344	1420	993	240	950	68	27	1042	550	205			745	695	195	145
	BS1. 1MXV 65-3205/D			1344	1420	1189										745	695	195	145
	BS1. 1MXV 65-3206/D			1344	1420	1235										745	695	195	145
BS1. 1MXV 65-3207/D	1344	1420	1306										745	695	195	145			
2	BS1. 1MXV 80-4802/C	G 3	G 3	1344	1155	940								745	550	195	0		
	BS1. 1MXV 80-4803/C			1344	1420	1001									745	695	195	145	
	BS1. 1MXV 80-4804/D			1344	1420	1212	240	950	112	38	1100	550	205			745	695	195	145
	BS1. 1MXV 80-4805/D			1344	1420	1299										745	695	195	145
	BS1. 1MXV 80-4806/D			1344	1420	1360										745	695	195	145
BS1. 1MXV 80-4807/E	1548	1420	1498										685	695	135	145			

Dimensions not binding to be verified when ordering

h9f-fgf-l7f= Fixed speed boosting sets  
h9v-fgv-l7v= Variable speed boosting sets



## Dimensions and weights



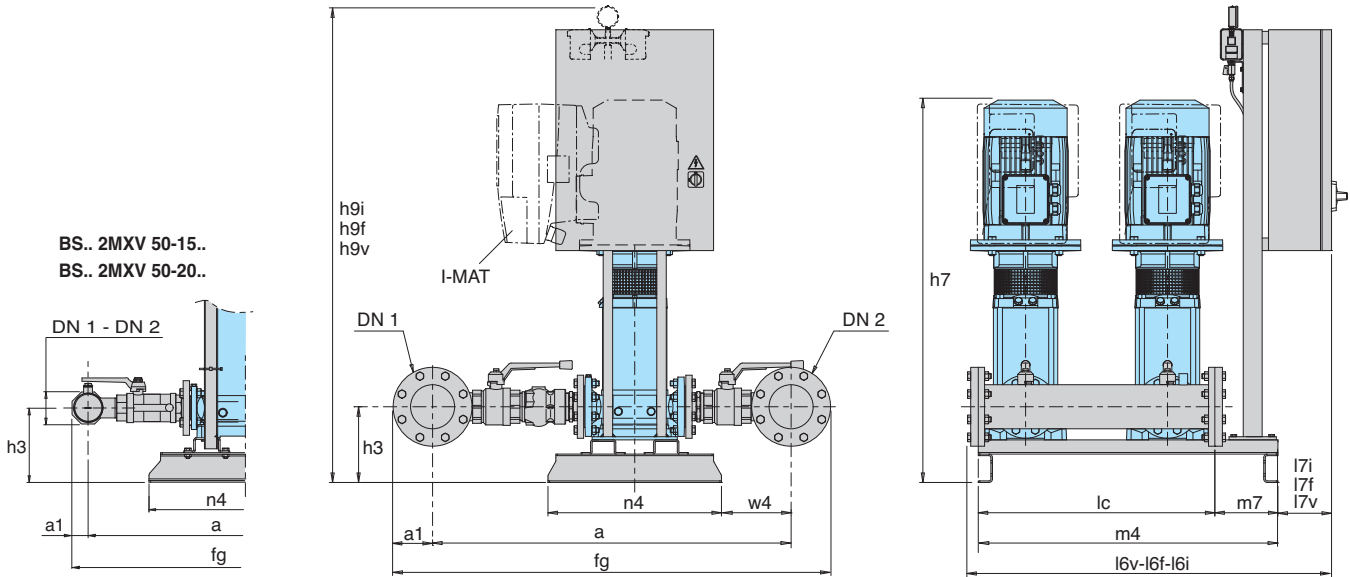
TYPE	TYPE	Connection		mm																			
		DN 1	DN 2	h9f	h9v	h9i	h7	h3	h2	fg	a	a1	n4	w4	lc	m4	m7	l6f	l6v	l6i	l7f	l7v	l7i
BS.. 2MXV 25-304 O (-ITT)	BS.. 2MXV 25-304 O	G 1 1/2	G 1 1/2	864	1252	884	666	94	170	642	589	27	365	140	600	625	13	810	959	825	185	334	200
BS.. 2MXV 25-305 O (-ITT)	BS.. 2MXV 25-305 O						690																
BS.. 2MXV 25-306 O (-ITT)	BS.. 2MXV 25-306 O						714																
BS.. 2MXV 25-307 O (-ITT)	BS.. 2MXV 25-307 O						738																
BS.. 2MXV 25-308 O (-ITT)	BS.. 2MXV 25-308 O						762																
BS.. 2MXV 25-310 O (-ITT)	BS.. 2MXV 25-310 O						811																
BS.. 2MXV 25-312 O (-ITT)	BS.. 2MXV 25-312 O	899																					
BS.. 2MXV 32-504 O (-ITT)	BS.. 2MXV 32-504 O	G 2	G 2	864	1252	884	666	94	186	706	642	32	365	168	600	625	13	810	959	825	185	334	200
BS.. 2MXV 32-505 O (-ITT)	BS.. 2MXV 32-505 O						690																
BS.. 2MXV 32-506 O (-ITT)	BS.. 2MXV 32-506 O						714																
BS.. 2MXV 32-507 O (-ITT)	BS.. 2MXV 32-507 O						738																
BS.. 2MXV 32-508 O (-ITT)							802																
BS.. 2MXV 32-510 O (-ITT)							851																
BS.. 2MXV 32-512 O (-ITT)		915																					
BS.. 2MXV 40-904 O (-ITT)	BS.. 2MXV 40-904 O	G 2 1/2	G 2 1/2	931	1252	884	711	124	238	820	740	40	365	200	600	625	13	810	959	825	185	334	200
BS.. 2MXV 40-905 O (-ITT)							781																
BS.. 2MXV 40-906 O (-ITT)							811																
BS.. 2MXV 40-907 O (-ITT)							857																
BS.. 2MXV 40-908 O (-ITT)							887																
BS.. 2MXV 40-910 O (-ITT)							947																
BS.. 2MXV 40-911 O (-ITT)		1012																					

Dimensions not binding to be verified when ordering

(1) Anti-vibration pads kit supplied loose as standard

h9f-l6f-l7f= Fixed speed boosting sets  
h9v-l6v-l7v= Variable speed boosting sets  
h9i-l6i-l7i= I-MAT boosting sets

## Dimensions and weights

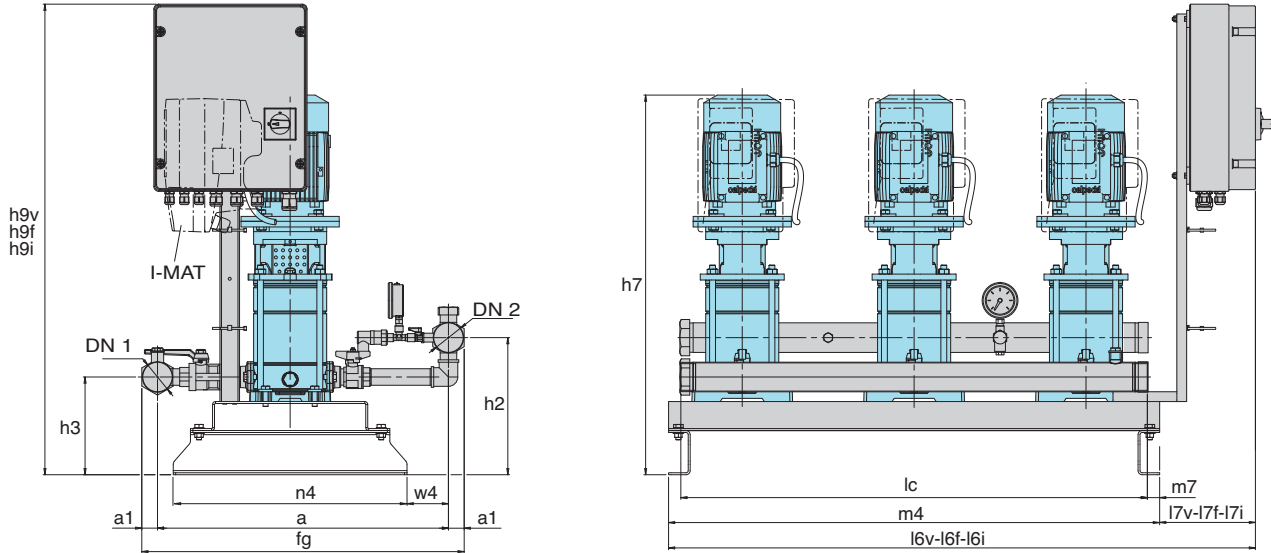


TYPE	Connection		mm																					
	DN1	DN2	h9f	h9v	h9i	h7	h3	fg	a	a1	n4	w4	lc	m4	m7	l6f	l6v	l6i	l7f	l7v	l7i			
BS.. 2MXV 50-1503/A (ITT)	G 3	G 3	1015	1344	975	934										1080	1220	1110	130	270	145			
BS.. 2MXV 50-1504 (ITT)			1015	1344	975	980											1080	1220	1110	130	270	145		
BS.. 2MXV 50-1505 (ITT)			1015	1344	975	1028											1080	1220	1110	130	270	145		
BS.. 2MXV 50-1506 (ITT)			1015	1344	975	1167	225	913	816	48	550	82	700	950	225	1080	1220	1110	130	270	145			
BS.. 2MXV 50-1507 (ITT)			1015	1344	1175	1215											1080	1220	1110	130	270	145		
BS.. 2MXV 50-1508/A (ITT)			1420	1344	1175	1263											1170	1220	1110	220	270	145		
BS.. 2MXV 50-1509 (ITT)			1420	1344	1175	1311											1170	1220	1110	220	270	145		
BS.. 2MXV 50-1510 (ITT)			1420	1344	1175	1359											1170	1220	1110	220	270	145		
BS.. 2MXV 50-2003 (ITT)			G 3	G 3	1015	1344	975	932										1112	1252	1142	130	270	145	
BS.. 2MXV 50-2004 (ITT)					1015	1344	975	967											1112	1252	1142	130	270	145
BS.. 2MXV 50-2005 (ITT)	1015	1344			975	1119	225	913	816	48	550	82	700	950	225	1112	1252	1142	130	270	145			
BS.. 2MXV 50-2006 (ITT)	1420	1344			975	1167											1202	1252	1142	220	270	145		
BS.. 2MXV 50-2007 (ITT)	1420	1344			1175	1215											1202	1252	1142	220	270	145		
BS.. 2MXV 50-2008 (ITT)	1420	1648			1175	1367											1202	1202	1142	220	220	145		
BS.. 2MXV 50-2009 (ITT)	1420	1648			1175	1415											1202	1202	1142	220	220	145		
BS.. 2MXV 65-3202/D (ITT)	100	100			1015	1344	975	853										1114	1254	1144	130	270	145	
BS.. 2MXV 65-3203/C (ITT)					1015	1344	975	947											1114	1254	1144	130	270	145
BS.. 2MXV 65-3204/C (ITT)					1420	1344	975	993	240	1310	1090	110	550	231	750	950	200	1204	1254	1154	220	270	145	
BS.. 2MXV 65-3205/D (ITT)			1420	1648	1175	1189											1204	1204	1154	220	220	145		
BS.. 2MXV 65-3206/D (ITT)			1420	1648	1175	1235											1204	1204	1154	220	220	145		
BS.. 2MXV 65-3207/D (ITT)			1420	1648	1175	1306											1204	1204	1154	220	220	145		
BS.. 2MXV 80-4802/C (ITT)	125	125	1015	1344	975	940										1080	1220	1110	130	270	145			
BS.. 2MXV 80-4803/C (ITT)			1420	1344	975	1001											1170	1220	1110	220	270	145		
BS.. 2MXV 80-4804/D (ITT)			1420	1648	1175	1212	240	1441	1191	125	550	279	750	950	200	1170	1170	1120	220	220	145			
BS.. 2MXV 80-4805/D (ITT)			1420	1648	1175	1299											1170	1170	1120	220	220	145		
BS.. 2MXV 80-4806/D (ITT)			1420	1648	1175	1360											1170	1170	1120	220	220	145		
BS.. 2MXV 80-4807/E (ITT)			1420	*	1175	1498											1170	*	1120	220	*	145		
BS.. 2MXV 100-6501-ITT	150	150				1302																		
BS.. 2MXV 100-6502-2R (ITT)						1394																		
BS.. 2MXV 100-6502 (ITT)						1534																		
BS.. 2MXV 100-6503-2R (ITT)						1651	*	*	*	142,5	*	*	950	*	*									
BS.. 2MXV 100-6503/A (ITT)					*	*	*	1705									*	*	*	*	*	*	*	
BS.. 2MXV 100-6504-2R/A (ITT)						1797																		
BS.. 2MXV 100-6504 (ITT)						1797																		
BS.. 2MXV 100-6505-2R						1968																		
BS.. 2MXV 100-6505						1968																		
BS.. 2MXV 100-9001-1R-ITT			200	200				1306																
BS.. 2MXV 100-9001-ITT						1306																		
BS.. 2MXV 100-9002-2R (ITT)						1538																		
BS.. 2MXV 100-9002 (ITT)						1563																		
BS.. 2MXV 100-9003-2R/A (ITT)					*	*	*	1709	370	1883	1543	170	1050	260	950	1300	360	*	*	*	*	*	*	
BS.. 2MXV 100-9003 (ITT)						1709																		
BS.. 2MXV 100-9004-2R						1904																		
BS.. 2MXV 100-9004						1904																		
BS.. 2MXV 100-9005-2R						1997																		

Dimensions not binding to be verified when ordering \* Dimensions on request

h9f-l6f-l7f= Fixed speed boosting sets  
h9v-l6v-l7v= Variable speed boosting sets  
h9i-l6i-l7i= I-MAT boosting sets

## Dimensions and weights



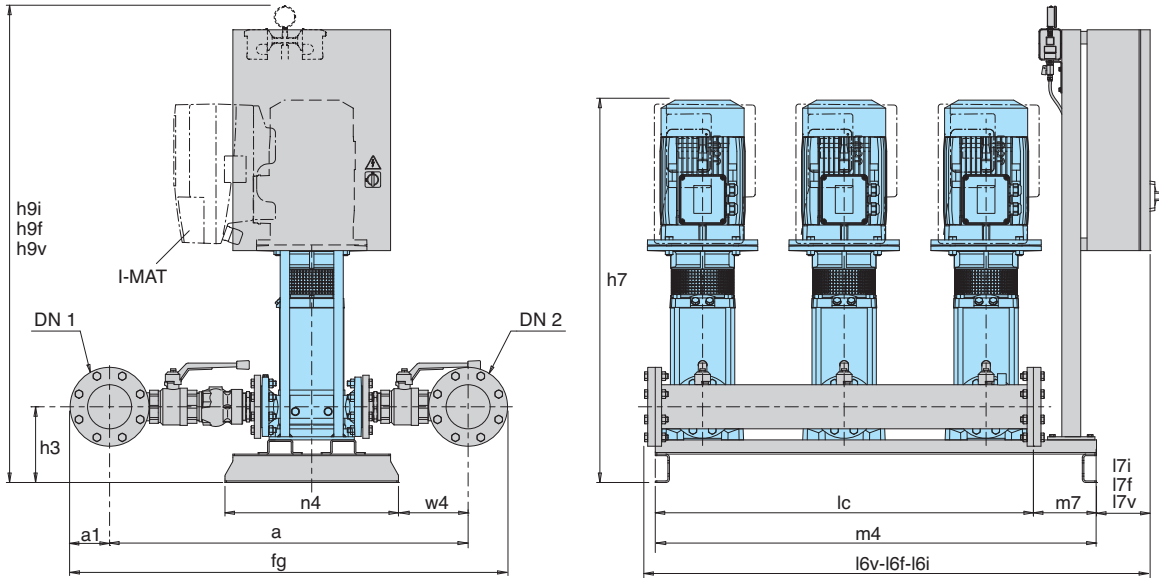
TYPE	Connection		mm																			
	DN 1	DN 2	h9f	h9v	h9i	h7	h3	h2	fg	a	a1	n4	w4	lc	m4	m7	l6f	l6v	l6i	l7f	l7v	l7i
BS.. 3MXV 25-304 O (-ITT)	G 2	G 2	969	1357	989	771	199	279	657	593	32	476	84	950	1000	25	1195	1334	1200	195	334	200
BS.. 3MXV 25-305 O (-ITT)				1357	843	795																
BS.. 3MXV 25-306 O (-ITT)				1357	843	819																
BS.. 3MXV 25-307 O (-ITT)				1449	843	867																
BS.. 3MXV 25-308 O (-ITT)				1449	843	916																
BS.. 3MXV 25-310 O (-ITT)				1449	843	1004																
BS.. 3MXV 25-312 O (-ITT)	G 2 1/2	G 2 1/2	969	1357	989	771	199	299	730	650	40	476	113	950	1000	25	1195	1334	1200	195	334	200
BS.. 3MXV 32-504 O (-ITT)				1357	843	795																
BS.. 3MXV 32-505 O (-ITT)				1449	843	819																
BS.. 3MXV 32-506 O (-ITT)				1449	843	867																
BS.. 3MXV 32-507 O (-ITT)				1449	843	907																
BS.. 3MXV 32-508 O (-ITT)				1449	843	956																
BS.. 3MXV 32-510 O (-ITT)	G 3	G 3	969	1449	989	1020	229	349	842	746	48	476	145	950	1000	25	1195	1334	1200	195	334	200
BS.. 3MXV 32-512 O (-ITT)				1449	843	816																
BS.. 3MXV 40-904 O (-ITT)				1449	843	886																
BS.. 3MXV 40-905 O (-ITT)				1449	843	916																
BS.. 3MXV 40-906 O (-ITT)				1449	843	962																
BS.. 3MXV 40-907 O (-ITT)				1449	843	992																
BS.. 3MXV 40-908 O (-ITT)	G 3	G 3	969	1449	989	1052	229	349	842	746	48	476	145	950	1000	25	1195	1334	1200	195	334	200
BS.. 3MXV 40-910 O (-ITT)				1449	843	1082																
BS.. 3MXV 40-911 O (-ITT)				1449	843	1082																

Dimensions not binding to be verified when ordering

(1) Anti-vibration pads kit supplied loose as standard

h9f-l6f-l7f= Fixed speed boosting sets  
h9v-l6v-l7v= Variable speed boosting sets  
h9i-l6i-l7i= I-MAT boosting sets

## Dimensions and weights



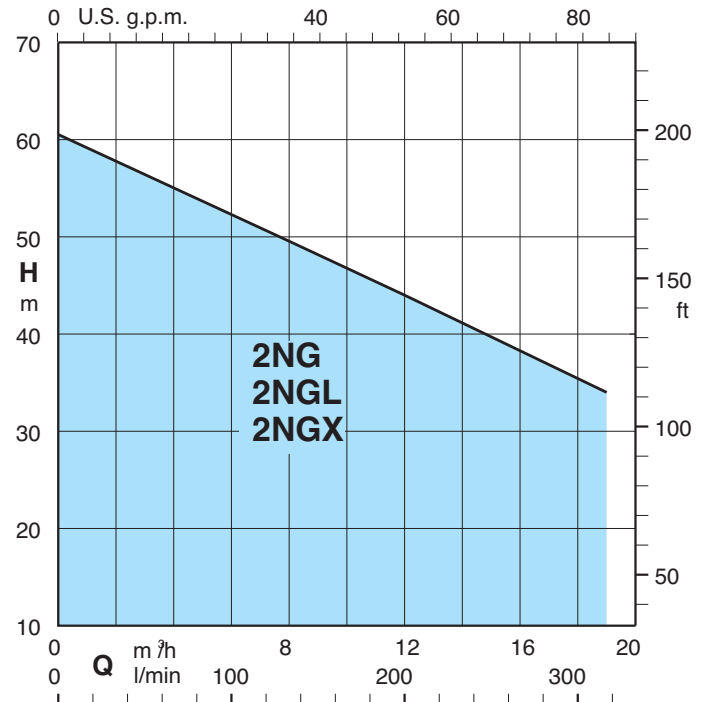
TYPE	Connection		mm																				
	DN1	DN2	h9f	h9v	h9i	h7	h3	fg	a	a1	n4	w4	lc	m4	m7	l6f	l6v	l6i	l7f	l7v	l7i		
BS.. 3MXV 50-1503/A (ITT)	100	100	1020	1408	1040	1005										1572	1652	1577	140	220	145		
BS.. 3MXV 50-1504 (ITT)			1020	1408	1040	1051											1572	1652	1577	140	220	145	
BS.. 3MXV 50-1505 (ITT)			1020	1408	1040	1099											1572	1652	1577	140	220	145	
BS.. 3MXV 50-1506 (ITT)			1220	1408	1240	1239											1572	1652	1577	140	220	145	
BS.. 3MXV 50-1507 (ITT)			1220	1408	1240	1287	296	1100	880	110	550	94	1200	1400	200		1572	1652	1577	140	220	145	
BS.. 3MXV 50-1508/A (ITT)			1408	*	1240	1335											1652	1652	1577	220	220	145	
BS.. 3MXV 50-1509 (ITT)			1408	*	1240	1382											1652	1652	1577	220	220	145	
BS.. 3MXV 50-1510 (ITT)			1408	*	1240	1430											1652	1652	1577	220	220	145	
BS.. 3MXV 50-2003 (ITT)	100	100	1020	1408	1040	1003										1572	1652	1577	140	220	145		
BS.. 3MXV 50-2004 (ITT)			1020	1408	1040	1038											1572	1652	1577	140	220	145	
BS.. 3MXV 50-2005 (ITT)			1020	1408	*	1190											1572	1652	1577	140	220	145	
BS.. 3MXV 50-2006 (ITT)			1408	*	1240	1238	296	1100	880	110	550	94	1200	1400	200		1572	1652	1577	140	220	145	
BS.. 3MXV 50-2007 (ITT)			1408	*	1240	1286											1572	1652	1577	140	220	145	
BS.. 3MXV 50-2008 (ITT)			*	*	*	1438											1652	QA	1577	220	QA	145	
BS.. 3MXV 50-2009 (ITT)			*	*	*	1486											1652	QA	1577	220	QA	145	
BS.. 3MXV 65-3202/D (ITT)			125	125	1500	1593	1020	903										1574	1654	1579	140	220	145
BS.. 3MXV 65-3203/C (ITT)	1500	1593			1020	997											1574	1654	1579	140	220	145	
BS.. 3MXV 65-3204/C (ITT)	1500	1593			1020	1043											1574	1654	1579	140	220	145	
BS.. 3MXV 65-3205/D (ITT)	1713	QA			1220	1239	291	1406	1156	125	550	284	1200	1400	200		1654	QA	1579	220	QA	145	
BS.. 3MXV 65-3206/D (ITT)	1713	QA			1220	1285											1654	QA	1579	220	QA	145	
BS.. 3MXV 65-3207/D (ITT)	1713	QA			1388	1356											1654	QA	1704	220	QA	270	
BS.. 3MXV 80-4802/C (ITT)	150	150	1500	1593	1020	990										1577	1657	1582	140	220	145		
BS.. 3MXV 80-4803/C (ITT)			1500	1593	1020	1051											1577	1657	1582	140	220	145	
BS.. 3MXV 80-4804/D (ITT)			1713	QA	1220	1262	291	1525	1240	142,5	550	313	1200	1400	200		1657	QA	1582	220	QA	145	
BS.. 3MXV 80-4805/D (ITT)			1713	QA	1388	1349											1657	QA	1707	220	QA	270	
BS.. 3MXV 80-4806/D (ITT)			1713	QA	1388	1410											1657	QA	1707	220	QA	270	
BS.. 3MXV 80-4807/E (ITT)			1713	QA	1388	1548											*	QA	1707	*	QA	270	
BS.. 3MXV 100-6501-ITT	200	200				1322																	
BS.. 3MXV 100-6502-2R (ITT)						1414																	
BS.. 3MXV 100-6502 (ITT)						1554																	
BS.. 3MXV 100-6503-2R (ITT)						1671																	
BS.. 3MXV 100-6503/A (ITT)			*	*	*	1725	386	1658	1318	170	900	65	1500	1650	175		*	*	*	*	*	*	
BS.. 3MXV 100-6504-2R/A (ITT)						1817																	
BS.. 3MXV 100-6504 (ITT)						1817																	
BS.. 3MXV 100-6505-2R						1988																	
BS.. 3MXV 100-6505						1988																	
BS.. 3MXV 100-9001-1R-ITT						1326																	
BS.. 2MXV 100-9001-ITT						1326																	
BS.. 3MXV 100-9002-2R (ITT)						1558																	
BS.. 3MXV 100-9002 (ITT)				1583																			
BS.. 3MXV 100-9003-2R/A (ITT)	*	*	*	1729	390	1901	1561	170	1050	280	1500	1850	360		*	*	*	*	*	*			
BS.. 3MXV 100-9003 (ITT)				1729																			
BS.. 3MXV 100-9004-2R				1924																			
BS.. 3MXV 100-9004				1924																			
BS.. 3MXV 100-9005-2R				2017																			

Dimensions not binding to be verified when ordering \* Dimensions on request  
QA Cabinet version

h9f-l6f-l7f= Fixed speed boosting sets  
h9v-l6v-l7v= Variable speed boosting sets  
h9i-l6i-l7i= I-MAT boosting sets



Coverage chart



### Construction

Automatic pressure boosting plant consisting of two pumps complete with ball, non return valve on the suction side and ball valves on the discharge side.

Suction and delivery manifolds are in AISI 304 stainless steel.

Connections are located on the delivery manifold for the installation of two 20/24 litres vessels.

#### Electrical control boards:

- with microprocessor for fixed speed pump units.

The unit includes one pressure gauge and two adjustable differential pressure switches.

### Operation

#### BS 2F Fixed speed pump

Depending on the reduction of the pressure in the system, the pressure switches determine the starting up of the pumps in sequence and the microprocessor alternates the starts.

### Applications

For drawing water out a well.

As pressure boosting pump to increase water pressure when needed (follow local rules).

### Motors

2-pole induction motors, 50 Hz,  $n \approx 2900$  rpm.

- Three-phase 230/400V  $\pm 10\%$ , suitable for operation with frequency converter;

- Single-phase 230 V  $\pm 10\%$ , with thermal protector.

Insulation class F.

Protection IP 54.

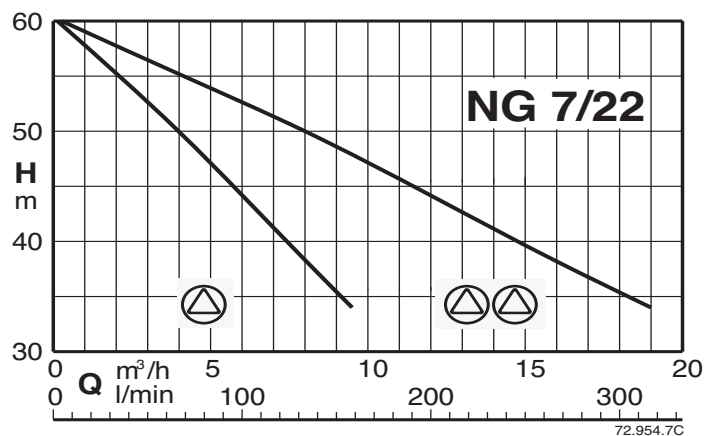
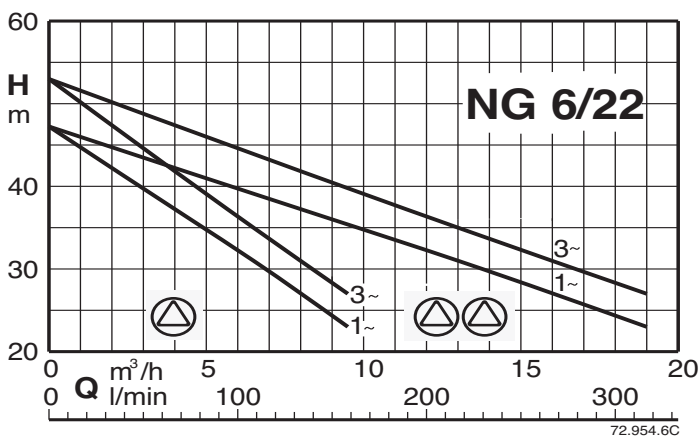
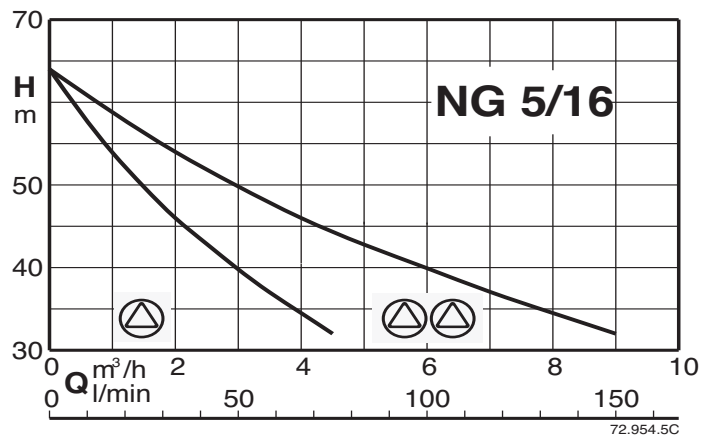
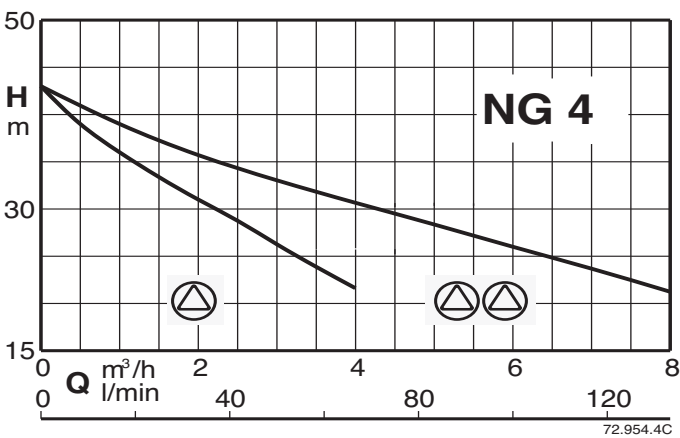
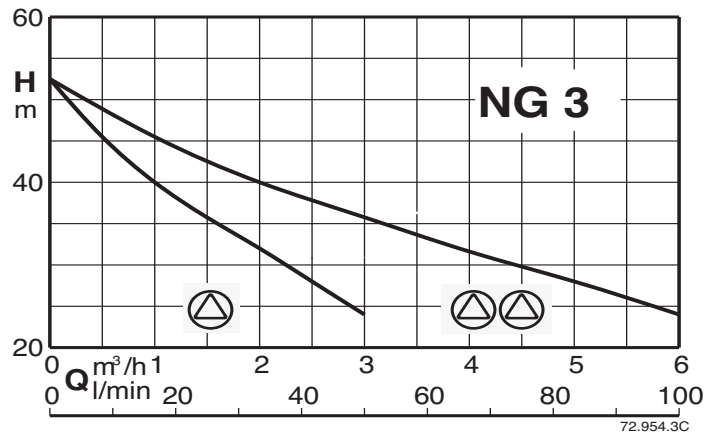
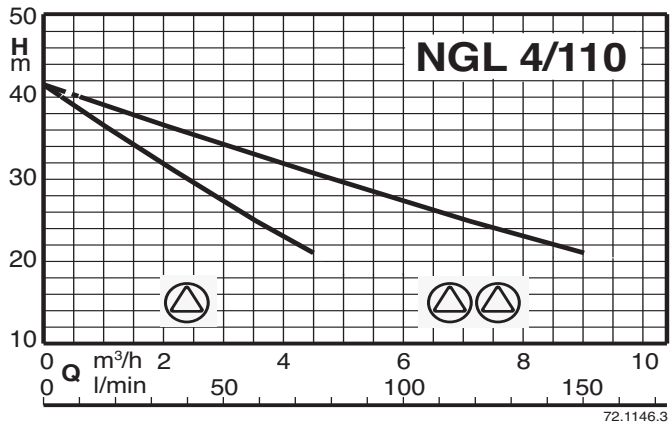
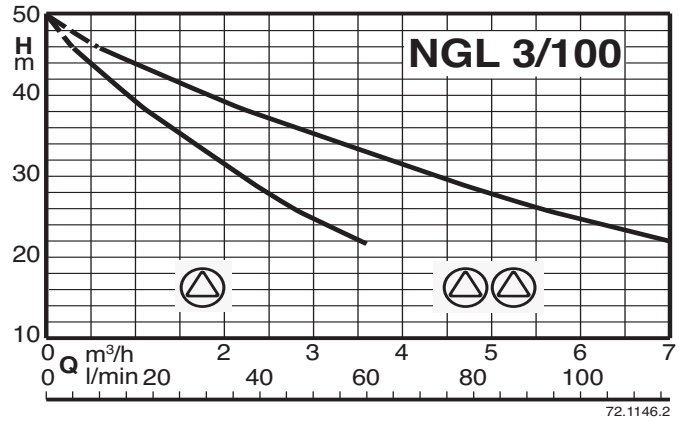
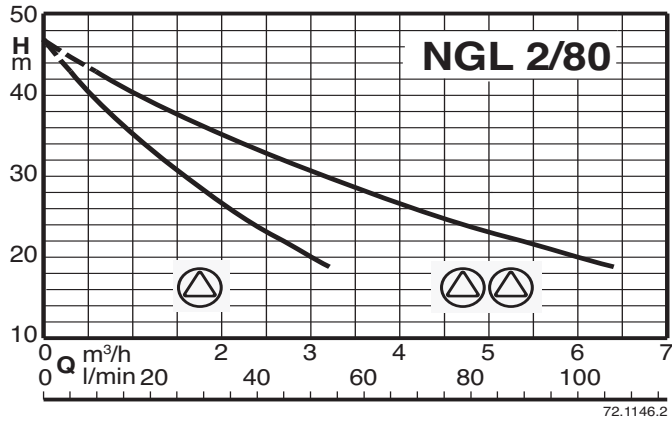
Constructed in accordance with: IEC 60034.

Other voltages and frequencies on request.

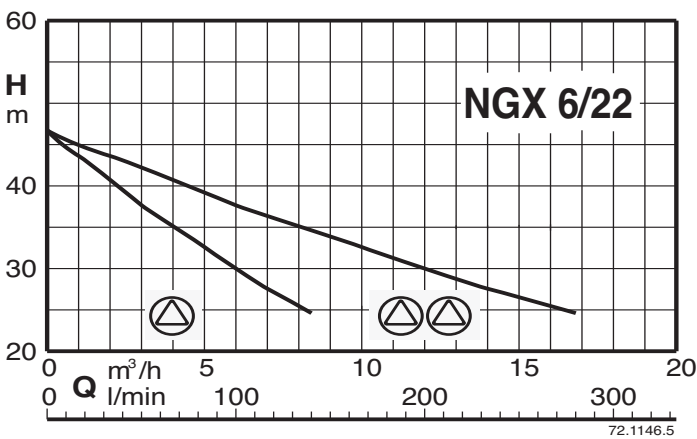
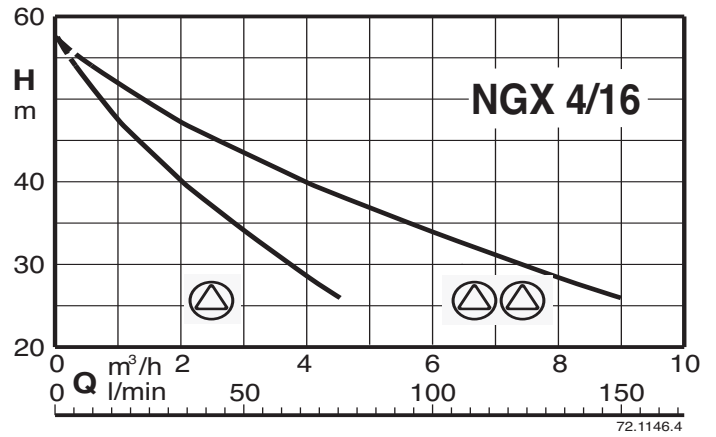
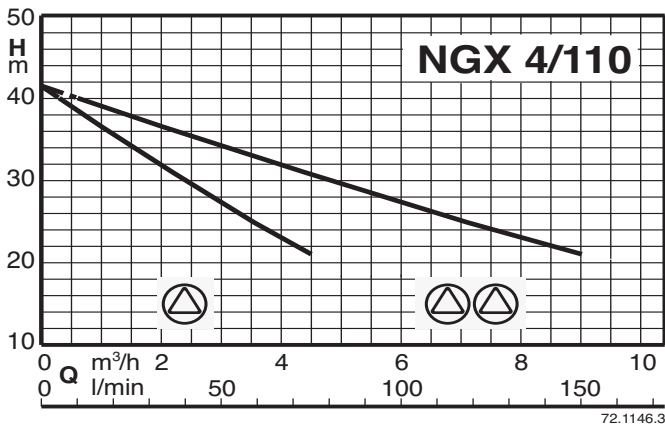
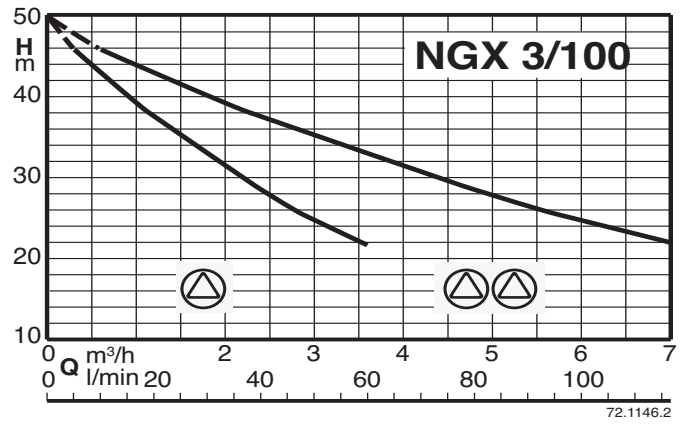
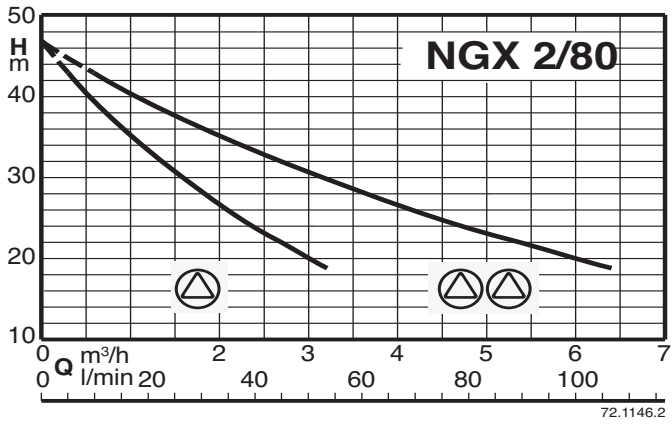
### Vessels (on request)

Capacity 20/24 litres, membrane type, air precharged.

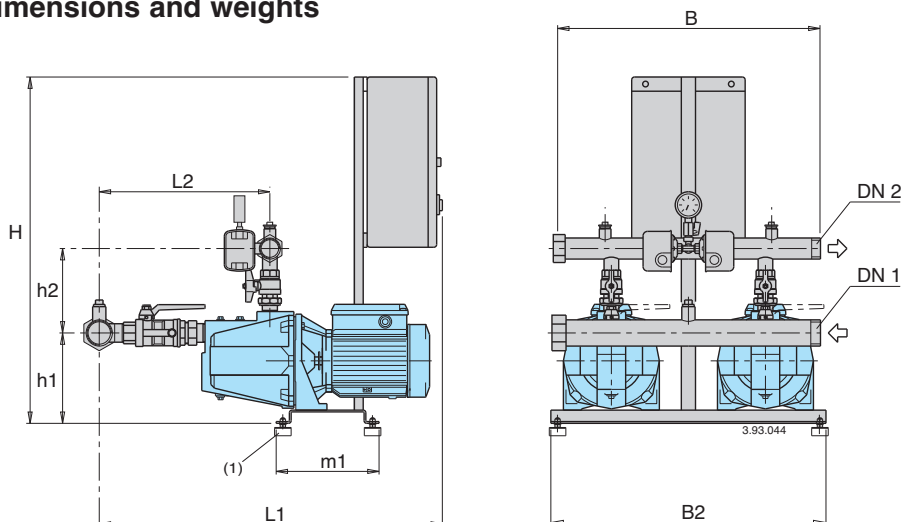
## Coverage chart



## Coverage chart



### Characteristic, dimensions and weights



### BS2F BSM2F

Mains: 400V 3~ Motor: 400V 3~	Mains: 230V 1~ Motor: 230V 1~	Motor		Q max* l/min	Pres. switch setting		Connection		mm							Weight kg	Vessel		
		kW	HP		bar	bar	DN1	DN2	H	h1	h2	L1	L2	m1	B2		B	Mem. litre	Vessel litre
BS2F 2NGL 2/80	BSM2F 2NGLM 2/80	0,55+0,55	0,75+0,75	100	2,4÷3,6	2,0÷3,2	G 2	G 1 1/2	840	151	206	793	355				42	24x2	100
BS2F 2NGL 3/100	BSM2F 2NGLM 3/100	0,65+0,65	0,9+0,9	110	2,8÷4,0	2,4÷3,6	G 2	G 1 1/2	840	151	206	793	355	235	625	600	46	24x2	100
BS2F 2NGL 4/110	BSM2F 2NGLM 4/110	0,75+0,75	1+1	150	2,4÷3,6	2,0÷3,2	G 2	G 1 1/2	840	151	206	793	355				49	24x2	100

\* Maximum pumps flow at minimum set pressure of 2<sup>nd</sup> pressure switch.

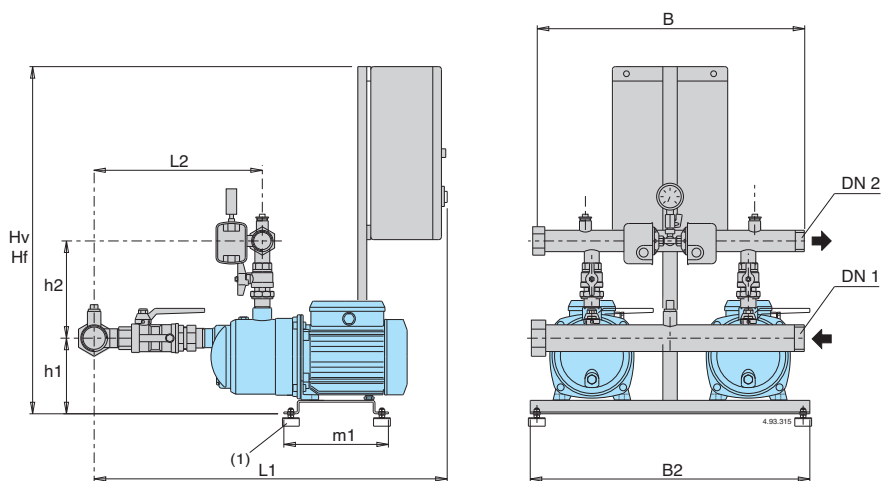
Dimensions not binding to be verified when ordering

### BS2F BSM2F

Mains: 400V 3~ Motor: 400V 3~	Mains: 230V 1~ Motor: 230V 1~	Motor		Q max* l/min	Pres. switch setting		Connection		mm							Weight kg	Vessel		
		kW	HP		bar	bar	DN1	DN2	H	h1	h2	L1	L2	m1	B2		B	Mem. litre	Vessel litre
BS2F 2NG 3/A	BSM2F 2NGM 3/A	0,55+0,55	0,75+0,75	95	3,0÷4,2	2,5÷3,7	G 2	G 1 1/2	840	184	188	775	345				61	24x2	100
BS2F 2NG 4/B	BSM2F 2NGM 4/A	0,75+0,75	1+1	130	2,4÷3,6	2,0÷3,2	G 2	G 1 1/2	840	184	188	775	345				62	24x2	100
BS2F 2NG 5/16/A	BSM2F 2NGM 5/16E	1,1+1,1	1,5+1,5	140	3,8÷5,3	3,4÷4,9	G 2 1/2	G 1 1/2	840	200	202	935	470	235	625	600	86	24x2	100
	BSM2F 2NGM 6/22E	1,5+1,5	2+2	290	3,0÷4,2	2,5÷3,7	G 2 1/2	G 1 1/2	840	200	202	935	470				89	100	200
BS2F 2NG 6/22/A		1,5+1,5	2+2	290	3,2÷4,5	2,8÷4,0	G 2 1/2	G 1 1/2	840	200	202	935	470				90	100	200
BS2F 2NG 7/22/B		2,2+2,2	3+3	300	3,8÷5,3	3,4÷4,9	G 2 1/2	G 1 1/2	840	200	202	935	470				92	200	300

\* Maximum pumps flow at minimum set pressure of 2<sup>nd</sup> pressure switch.

Dimensions not binding to be verified when ordering



### BS2F BSM2F

Mains: 400V 3~ Motor: 400V 3~	Mains: 230V 1~ Motor: 230V 1~	Motor		Q max* l/min	Pres. switch setting		Connection		mm							Weight kg	Vessel		
		kW	HP		bar	bar	DN1	DN2	H	h1	h2	L1	L2	m1	B2		B	Mem. litre	Vessel litre
BS2F 2NGX 2/80	BSM2F 2NGXM 2/80	0,55+0,55	0,75+0,75	100	2,4÷3,6	2,0÷3,2	G 2	G 1 1/2	840	151	206	793	355				42	24x2	100
BS2F 2NGX 3/100	BSM2F 2NGXM 3/100	0,65+0,65	0,9+0,9	110	2,8÷4,0	2,4÷3,6	G 2	G 1 1/2	840	151	206	793	355				46	24x2	100
BS2F 2NGX 4/110	BSM2F 2NGXM 4/110	0,75+0,75	1+1	150	2,4÷3,6	2,0÷3,2	G 2	G 1 1/2	840	151	206	793	355	235	625	600	49	24x2	100
BS2F 2NGX 4/16	BSM2F 2NGXM 4/16	1,1+1,1	1,5+1,5	130	3,4÷4,9	3,0÷4,5	G 2	G 1 1/2	840	187	212	836	380				61	24x2	100
BS2F 2NGX 6/22/A	BSM2F 2NGXM 6/22	1,5+1,5	2+2	280	3,0÷4,2	2,5÷3,7	G 2	G 1 1/2	840	187	212	836	380				65	100	200

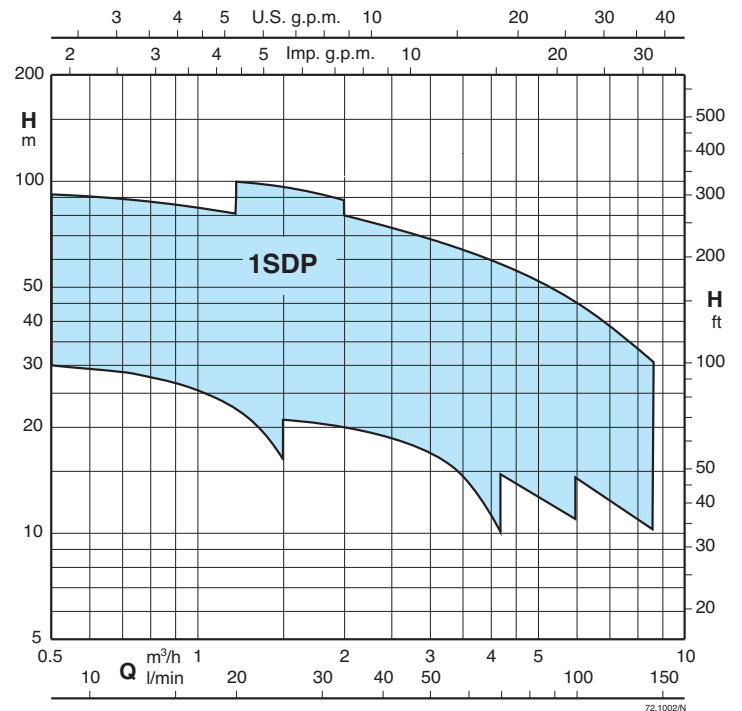
\* Maximum pumps flow at minimum set pressure of 2<sup>nd</sup> pressure switch.

Dimensions not binding to be verified when ordering





Coverage chart



## Operation

### BS1V Pressure boosting sets with 1 variable speed pump (with EASYMAT).

Depending on water consumption, one pump is activated, at variable speed, in order to guarantee the quantity of water required at the set pressure.



#### CONSTANT PRESSURE MODE:

the system keeps the pressure constant when the quantity of water requested by the user changes.



#### FIXED SPEED MODE:

the system works at a fixed speed that user can choose according to his need.

## Execution

Constant pressure boosting sets with **EASYMAT** frequency converter made of 1 pump, ball valve, non return valve and pressure gauge on delivery side.

Suitable for installation of pressure vessel on delivery side.

## Applications

For drawing water out of a well

As pressure boosting pump for central water systems with low pressure (follow local specifications if increasing network pressure)

## Motors

2-pole induction motors, 50Hz,  $n \approx 2900$  rpm, suitable for operation with frequency converter

- Three-phase 230V +/-10%

Class F insulation

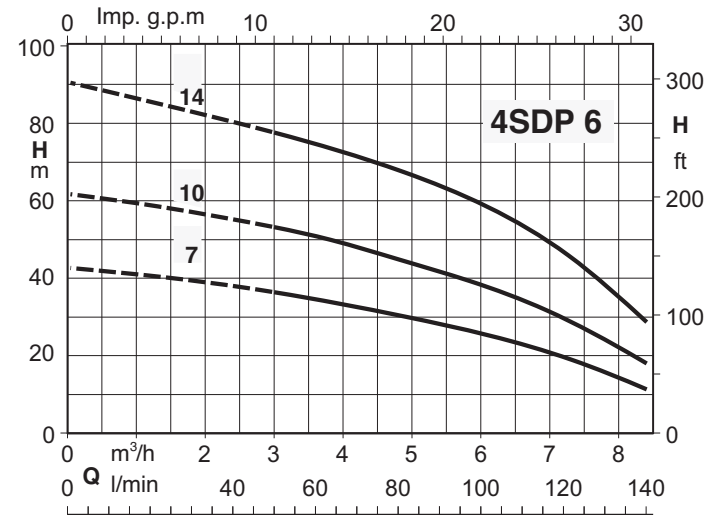
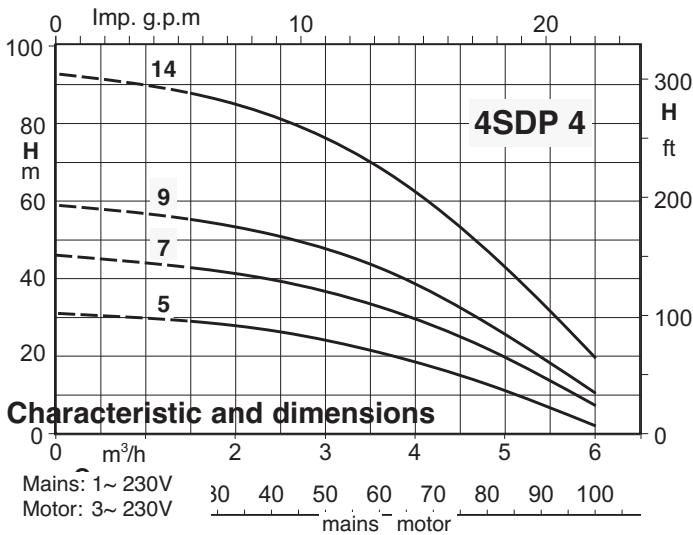
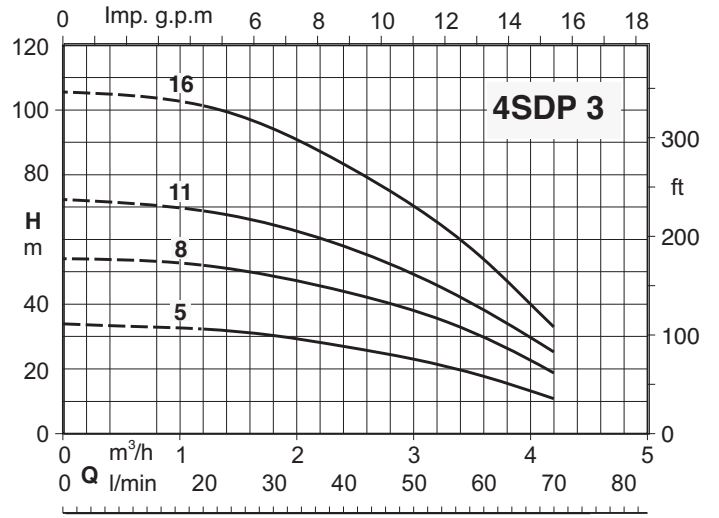
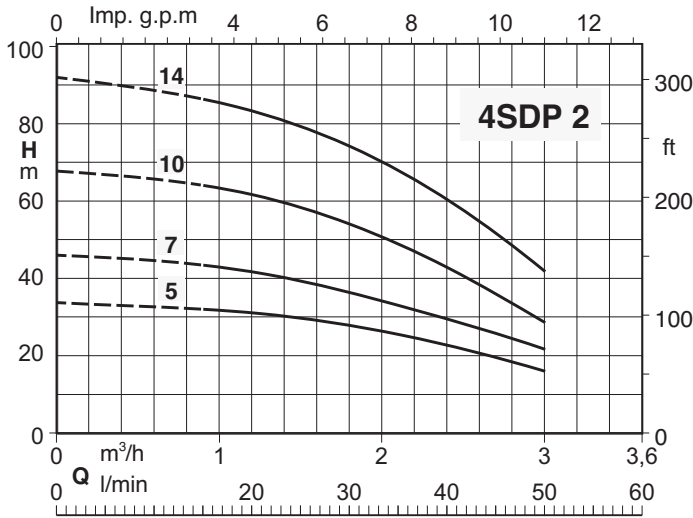
IP 68 protection

Execution according IEC 60034

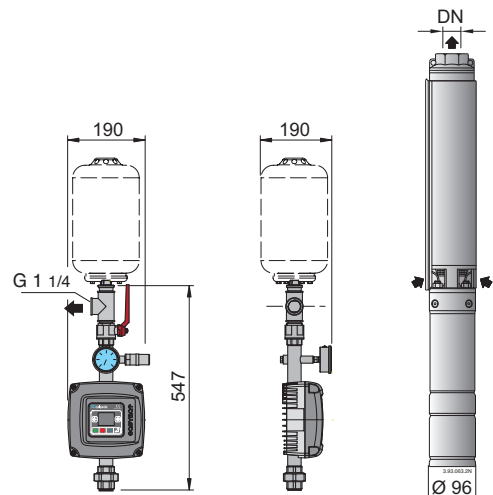
Other voltages on demand

## Pressure vessels (on demand)

## Coverage chart



	aliment. A	motore A	P <sub>2</sub>		DN
			kW	HP	
BSM1V 14SDP 2/5-EMT	2.5	1.9	0,37	0,5	Rp 1" 1/4
BSM1V 14SDP 2/7-EMT	2.5	1.9	0,37	0,5	Rp 1" 1/4
BSM1V 14SDP 2/10-EMT	3.7	2.8	0,55	0,75	Rp 1" 1/4
BSM1V 14SDP 2/14-EMT	4.8	3.5	0,75	1	Rp 1" 1/4
BSM1V 14SDP 3/5-EMT	2.5	1.9	0,37	0,5	Rp 1" 1/4
BSM1V 14SDP 3/8-EMT	3.7	2.8	0,55	0,75	Rp 1" 1/4
BSM1V 14SDP 3/11-EMT	4.8	3.5	0,75	1	Rp 1" 1/4
BSM1V 14SDP 3/16-EMT	6.8	4.9	1,1	1,5	Rp 1" 1/4
BSM1V 14SDP 4/5-EMT	2.5	1.9	0,37	0,5	Rp 1" 1/4
BSM1V 14SDP 4/7-EMT	3.7	2.8	0,55	0,75	Rp 1" 1/4
BSM1V 14SDP 4/9-EMT	4.8	3.5	0,75	1	Rp 1" 1/4
BSM1V 14SDP 4/14-EMT	6.8	4.9	1,1	1,5	Rp 1" 1/4
BSM1V 14SDP 6/7-EMT	4.8	3.5	0,75	1	Rp 2"
BSM1V 14SDP 6/10-EMT	6.8	4.9	1,1	1,5	Rp 2"
BSM1V 14SDP 6/14-EMT	9.5	6.8	1,5	2	Rp 2"



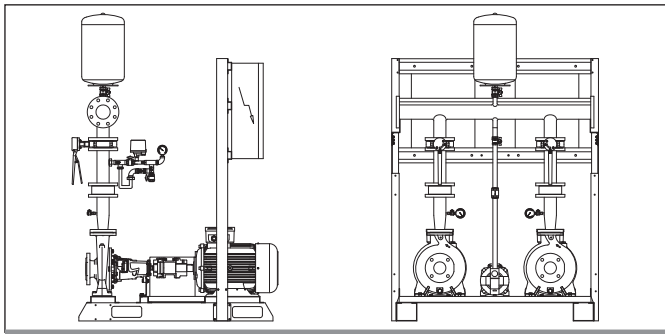
# EJ, DJ, EDJ

## UNI-EN 12845 fire-fighting systems



# EJ, DJ, EDJ

UNI-EN 12845 fire-fighting systems

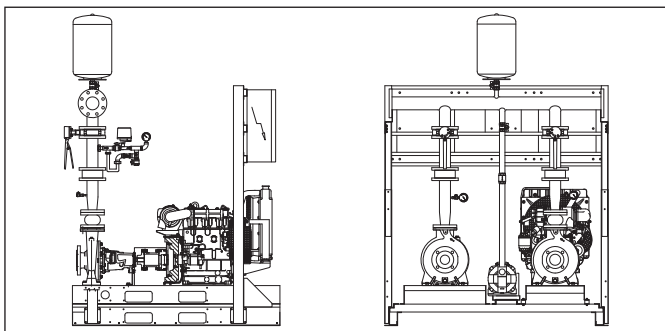


## EJ 11

UNI-EN 12845 units with 1 N series electric main pump

## EJ 21

UNI-EN 12845 units with 2 N series electric main pumps



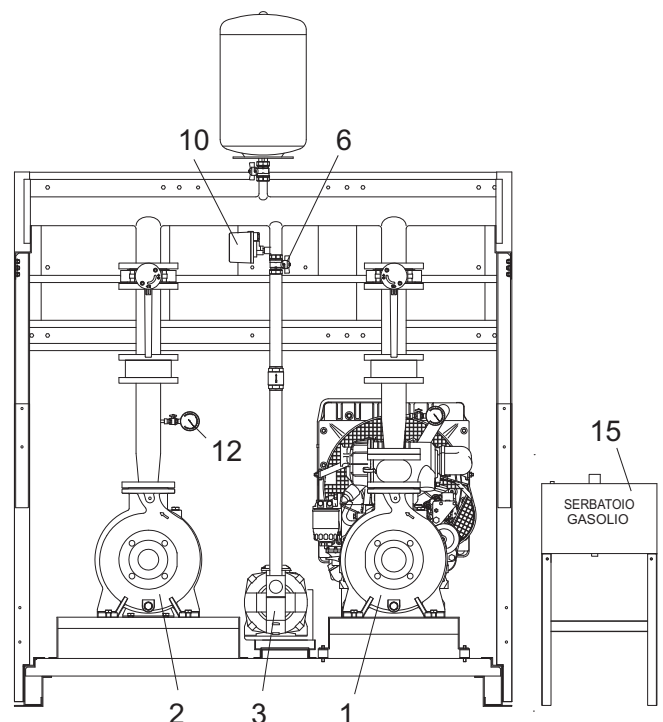
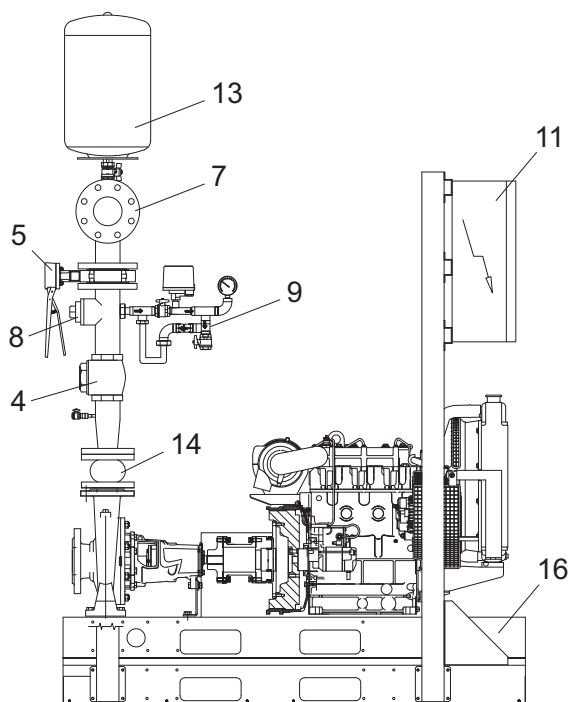
## DJ 11

UNI-EN 12845 units with 1 N series main pump (diesel motor)

## EDJ 21

UNI-EN 12845 units with 2 N series main pumps (electric and diesel motors)

## Construction



- 1) Main pump (with diesel motor)
- 2) Main pump (with electric motor)
- 3) Jockey pump
- 4) Non-return valve
- 5) Lockable valve
- 6) Ball valve
- 7) Delivery manifold
- 8) Sprinkler connection for protection of pump room
- 9) Starting system for main pump composed by two pressure switches, one 0-16 bar glycerine filled pressure gauge, ball valve, by-pass circuit.
- 10) Start-Stop system for jockey pump composed by one pressure switch and one 0-16 bar glycerine filled pressure gauge.

- 11) Electric control panel (one for each pump)
- 12) Pressure switch for "pump running" signal, re cycling water connection and 0-16 bar glycerine filled pressure gauge.
- 13) 20-lt PN 16 membrane pressure tank
- 14) Compensating joint for vibration damping
- 15) Diesel tank on a separate pedestal (6 hour autonomy)
- 16) Painted steel skid

All the butterfly valves or ball valve are locked in the normal position by means of a lock and key.

On request: anti-vibration couplings in both the suction and delivery sections.

### Construction

Units constructed in accordance with UNI-EN 12845 standards for automatic fire-fighting systems (with sprinkler) and according to UNI 10779 for fire-fighting systems with fire hydrants.

The units may be composed of 1 or 2 main pumps.

Units are fitted with a jockey pump, with which the system pressure level can be maintained without having to start the main pumps.

When two pumps are installed, each one shall be capable of providing the specified flows and pressures independently.

When three pumps are installed, each pump shall be capable of providing at least 50% of the specified flow at the specified pressure.

### Application

For feeding water to automatic fire-fighting systems and units with hydrants.

### Operation

The pumps start operating after a fall in the pressure level in the fire-extinguishing system.

The first pump to be triggered is the jockey pump.

If this pump cannot restore the pressure level, the main pump starts.

When there is more than one main pump, the pumps start in cascade sequence, with the starting pressure switches set at different pressure levels.

The pressure switches of the main pumps are used only for starting, as the pumps must be stopped manually for UNI-EN 12845 units or automatically with a timer for UNI 10779 sets.

The recirculation diaphragm allows for operation of the main pumps also when the delivery port is closed (with no consumption of water in the system), avoiding overheating of the water inside the pump body.

### Pumps

#### Main pumps

The N series centrifugal pumps are coupled with the electric or diesel motor through a bearing coupling. This solution allows to operate on the hydraulic part without moving the motor.

#### Jockey pump

Jockey pump can be a self-priming jet pump, a centrifugal pump with two impellers.

The maximum pressure developed by the jockey pump is always greater than the pressure of the main pumps.

#### Motors

Two-pole induction type, 50 Hz, n = 2,900 rpm

Three-phase 230/400V ± 10% up to 3 kW

400/690V ± 10% 4 kW and higher.

Insulation class F

Protection IP 55.

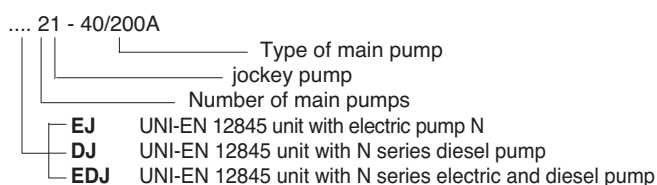
Construction in accordance with: IEC 60034

Other voltage and frequency ratings available on request

#### Diesel motors (for standardised N-series pumps)

These are direct-injection pumps fitted with electric control box, fuel tank, starter batteries and silencer.

### Designation of units



### Hydraulic components

Each main pump is fitted with:

- Butterfly valve in the suction section (on request only for installation with positive suction head).
- Pressure gauge in the delivery section.
- Recirculation diaphragm.
- Non return valve of the accessible swing-type or dual disc non-return valve, depending on the models.
- Butterfly valve in the delivery section.
- Manual test circuit with pressure switches, pressure gauge, non-return valve and ball valve.

The jockey pump is fitted with:

- Ball valve in the suction section.
- Non-return valve and ball valve in the delivery section.
- Circuit with pressure switch, pressure gauge, non-return valve and ball valve.

Other components:

- Delivery manifold.
- Coupling for connection of a priming tank (to be used only for the pumps installed with positive suction head).
- The suction manifold is never supplied as such execution is forbidden by the standards.
- 20-lt cylindrical tank on the delivery manifold.
- Arrangement for sprinkler connection to the pump compartment
- Pressure switch for pump working signal

On request:

- Manifold for flow meter.
- Adjusted-flange, diaphragm type, flow meter.
- Eccentric conical reducers on suction side.
- Interception valves on suction side (for installations under positive suction head).

### Electric boxes

#### Electric main-pump box (electric motor)

Each main pump has its own electric control board housed in a metal cabinet with IP55 protection. The box contains the devices required for operation and control of the pump.

Motor starting is direct for power ratings up to 18.5 kW.

For motors with a rating equal to or higher than 22 kW pump starting is of the Y/Δ type with fuses, contactors and timer.

- Timer for pumps stop after 20 minutes (UNI 10779)

The following devices are located on the internal door panel:

- Line-sectioning handle - Voltmeter and ammeter on display
- "Manual-0-Automatic" selector with extractible key only in "automatic" position - Start/Stop pushbuttons - Pilot lights to indicate: no-volt, pump running, pump stops, low-pressure.

#### Electric main-pump box (diesel motor)

This cabinet contains the electronic control devices for the control of the diesel motor and the battery chargers for feeding the starter accumulators.

The following devices are located on the front of the box:

- Line-sectioning handle.
- Front panel of the electronic unit.
- Manual-0-Automatic selector with extractible key only an "automatic" position.

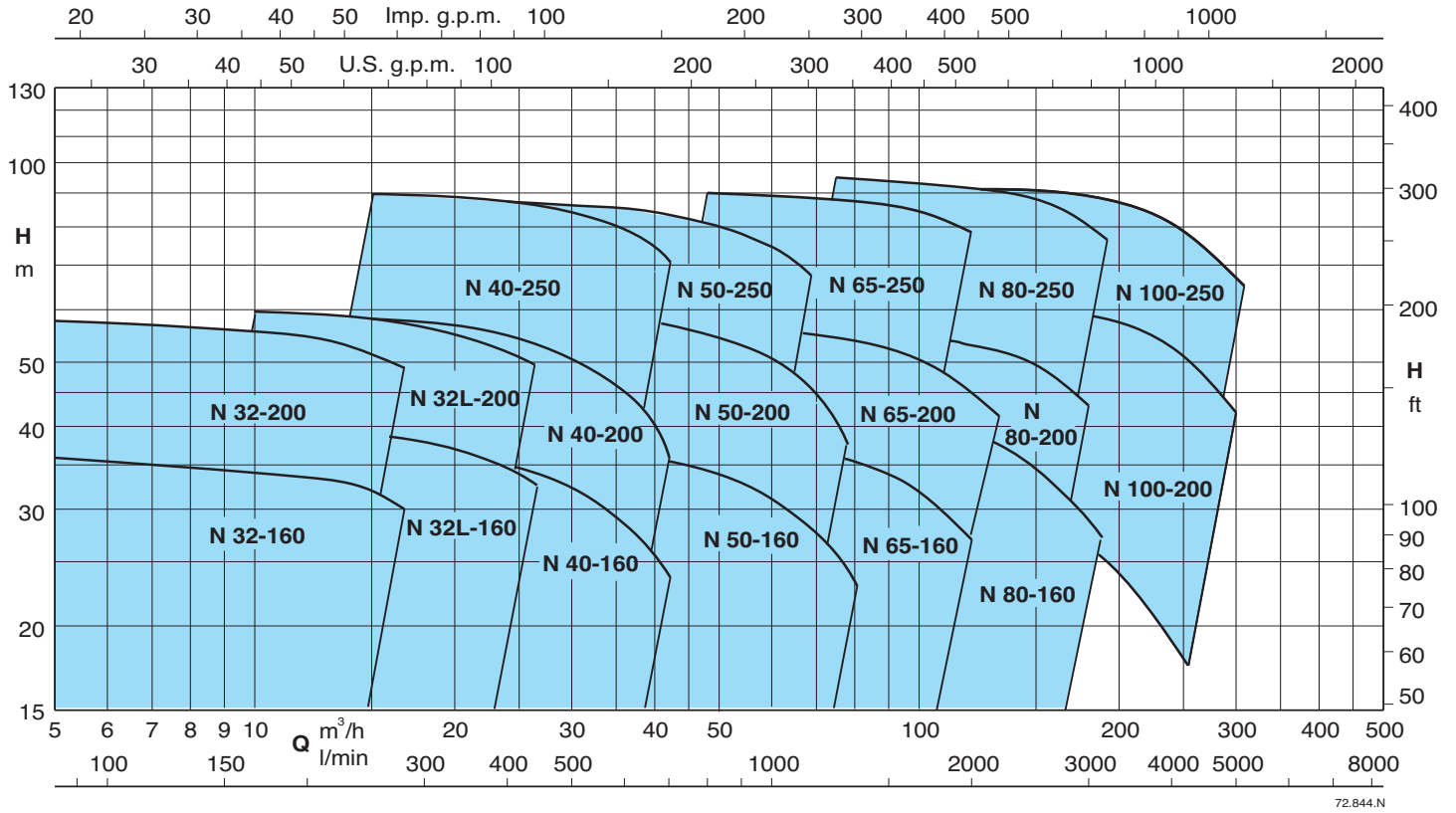
#### Electric jockey-pump box

When installed, the jockey pump is fitted with its own electric panel, with thermoplastic housing with IP 55 protection.

#### Control box (on request).

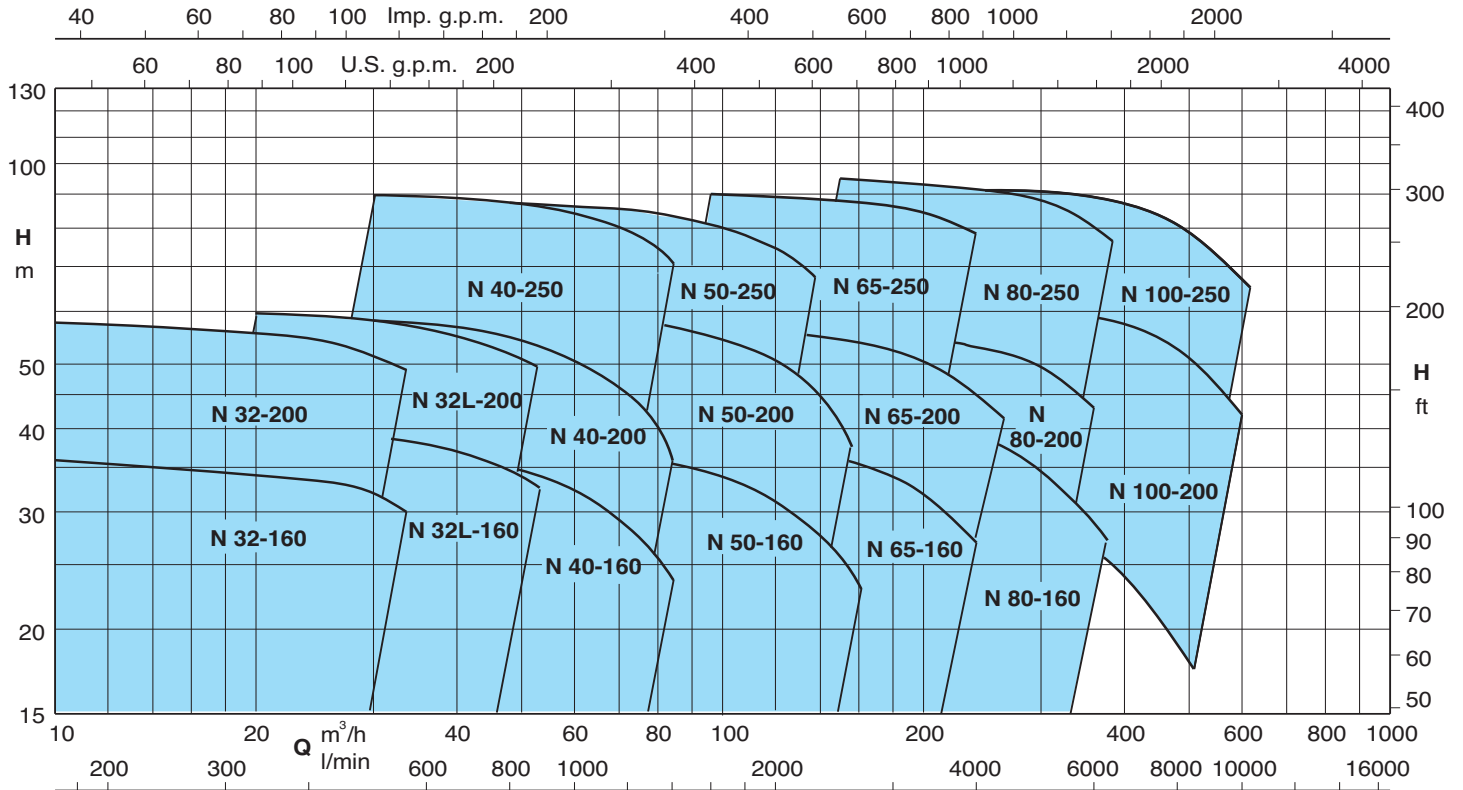
To be installed in a place to be looked after, to signal any possible failure of the unit state. It must be connected to V.220 and it gives an acoustic and visual signal for 24 hours.

### With 1 electric main pump in operation



72.844.N

### With 2 electric main pumps in operation

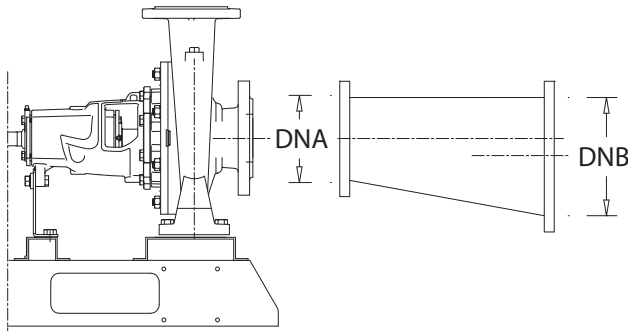


72.844.N

When two pumps are installed, each one shall be capable of providing the specified flows and pressures independently.  
 When three pumps are installed, each pump shall be capable of providing at least 50% of the specified flow at the specified pressure.

### Accessories

#### ECCENTRICS REDUCTIONS



Flanged reductions eccentric to be installed in the suction of main pumps, are complete of ¼" out point, ball interception valve and vacuum gauge (or gauge on request). To choose it take the diameter inlet of the main pumps DNA (limit of standard) and then consult the following tables in order to define the enlargement of the eccentric cone DNB (depending on the type of installation: suction lift or positive head).

Clarification: the previous tables suggest only indications concerning the maximum permissible speed in suction of main pumps, that choice may not be enough because the standard EN 12845 requires also that the suction piping, including all valves and fittings, shall be designed in such a way as to ensure that the available NPSH at the pump inlet exceeds the required NPSH by at least 1 mt at the maximum pump flow as shown in table 14 of the EN 12845 norm.

TYPE	DNA	DNB
RE50-65	DN50	DN65
RE50-80	DN50	DN80
RE50-100	DN50	DN100
RE50-125	DN50	DN125
RE65-80	DN65	DN80
RE65-100	DN65	DN100
RE65-125	DN65	DN125
RE65-150	DN65	DN150
RE65-200	DN65	DN200
RE80-100	DN80	DN100
RE80-125	DN80	DN125
RE80-150	DN80	DN150
RE80-200	DN80	DN200
RE80-250	DN80	DN250
RE100-150	DN100	DN150
RE100-200	DN100	DN200
RE100-250	DN100	DN250
RE125-200	DN125	DN200
RE125-250	DN125	DN250
RE125-300	DN125	DN300
RE150-250	DN150	DN250
RE150-300	DN150	DN300
RE150-350	DN150	DN350
RE150-400	DN150	DN400
RE200-300	DN200	DN300
RE200-350	DN200	DN350
RE200-400	DN200	DN400

#### Quick selection table for eccentric reductions

To maintain inside the suction pipe of the main pump flow velocities indicated in the standard EN 12845, depending on the maximum flow rate required by the plant, you have to enlarge the suction port of the main pump to the minimum diameter indicated in the following table:

		POSITIVE HEAD INSTALLATION Water Speed ( $V \leq 1,8$ m/s)									
Q (l/m)		0+358	359+542	543+848	849+1324	1325+1907	1908+3390	3391+5297	5298+7626	7627+10381	10382+13556
Ø min		DN65	DN80	DN100	DN125	DN150	DN200	DN250	DN300	DN350	DN400

		SUCTION LIFT INSTALLATION Water Speed ( $V \leq 1,5$ m/s)								
Q (l/m)		0+452	453+706	707+1103	1104+1589	1590+2824	2825+4413	4414+6355	6356+8650	8651+11299
Ø min		DN80	DN100	DN125	DN150	DN200	DN250	DN300	DN350	DN400

#### ELASTIC VIBRATION COMPENSATORS



TYPE	DN
CE-50	DN50 PN16
CE-65	DN65 PN16
CE-80	DN80 PN16
CE-100	DN100 PN16
CE-125	DN125 PN16
CE-150	DN150 PN16
CE-200	DN200 PN16
CE-250	DN250 PN16
CE-300	DN300 PN16
CE-350	DN350 PN16
CE-400	DN400 PN16

In presence of diesel motorpump is recommended to install on suction an elastic anti-vibration compensator to dampen the vibrations (in the delivery of the pump is already present). By inserting a compensator between two manifolds you can connect each two fire fighting modules.

# EJ, DJ, EDJ

UNI-EN 12845 fire-fighting systems



## Accessories

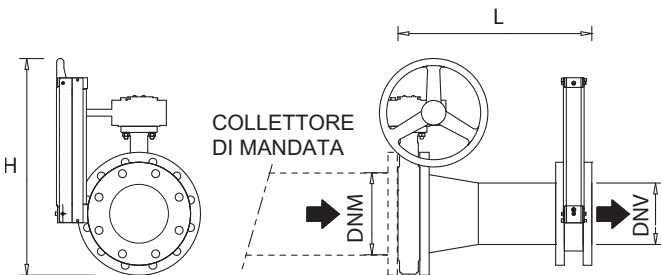
### INTERCEPTION BUTTERFLY VALVES “LUG” TYPE



TYPE	DN
LUG-50	DN50
LUG-65	DN65
LUG-80	DN80
LUG-100	DN100
LUG-125	DN125
LUG-150	DN150
LUG-200	DN200
LUG-250	DN250
LUG-300	DN300
LUG-350	DN350
LUG-400	DN400

Interception butterfly valve LUG type, with threaded ears, complete with operating lever up to DN100 and hand-wheel for larger diameters

### KIT FLOWMETER



TYPE	Flowmeter	Full scale (m³/h)	Connections		L (mm)	H (mm)
			DNM	DNV		
KM-65-40	T40	55	DN65	DN40	412	452
KM-65-50	T50	90	DN65	DN50	465	452
KM-80-65	T65	140	DN80	DN65	540	460
KM-100-80	T80	200	DN100	DN80	635	470
KM-125-100	T100	280	DN125	DN100	770	485
KM-150-125	T125	480	DN150	DN125	910	550
KM-200-150	T150	600	DN200	DN150	1045	600
KM-250-200	T200	1000	DN250	DN200	1335	670
KM-300-250	T250	1600	DN300	DN250	1630	730

Kit of connection between the fire fighting delivery manifold and the flow meter, composed by: interception valve, steel galvanized socket with adequate length and flowmeter. In the case of flanged composition is also supplied with the counter-flange to be inserted after the flowmeter, with two black rubber gaskets and bolts for fixing the flowmeter. Please note that is necessary the insertion after the flowmeter of another interception valve for adjusting the water flow.

### SELF-POWERED REMOTE ACOUSTIC/LUMINOUS ALARMS

These equipments permit monitoring and remote signaling of fire alarms related to the fire fighting booster set, in according to the EN12845 standard.

#### RA 12845



Tipo RA 12845 (no. 4 alarm input “Level A” and no. 12 alarm inputs “level B”)


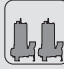



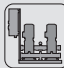
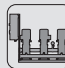
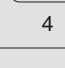


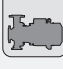
- Features: Electronic control panel for alarm signalling
- Input voltage 1 ~ 50/60Hz 230V±10%
- Transformer 230 V/24 V for auxiliary circuit
- Nr.4 very low voltage input from free NC contact for alarm fire “level A” (at the opening of the NC contact the red flashing light and the buzzer activate)
- Nr.12 very low voltage input from free NC contact for alarm breakdown “level B” (when opening the NC contact the yellow flashing light and the buzzer activate)
- Nr.1 very low voltage input from free NO contact for alarm breakdown “Level B” (when closing the NO contact the yellow flashing light and the buzzer activate)
- Green light for power on
- Red light for “alarm”
- Red light for “beacon excluded”
- Pushbutton “test” for temporary activation of the beacon
- Pushbutton “reset” for manual restoration of the alarm
- Pushbutton “beacon activation” for the activation of the acoustic alarm
- Pushbutton “beacon exclusion” for the exclusion of the acoustic alarm
- Internal selector for selecting the alarm restoration mode (automatic-manual)
- Internal selector for activation of the timer for automatic switch-off of the beacon
- Trimmer for automatic switch-off time delay selection (from 25” to 120”)
- Alarm beacon 90dB 12Vcc
- Sealed internal battery for back-up 12Vcc 1,2Ah
- Auxiliary protection fuse
- Battery protection fuse
- General alarm output with exchangeable contact (max 5A 250V AC1)
- Red flashing light 12Vcc; Yellow flashing light 12Vcc
- Box in thermoplastic material
- Output with cable holder
- Protection IP55; Ambient temperature: -5/+40 °C



# QM, QT

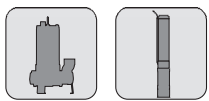
## Control panels



TYPE	Supply		No. pumps				Application		
	1 ~	3 ~					Bore-hole	Submersible	Surface
									
QM	✓		✓				✓	✓	
M COMP	✓		✓				✓	✓	
PFC-M	✓		✓				✓		
QML/A 1 D	✓		✓					✓	✓
T COMP		✓	✓				✓		
PFC-T		✓	✓				✓		
QTL/A 1 D		✓	✓				✓	✓	✓
QTL 1 D FTE		✓	✓				✓		✓
QTL/A 1 ST FT		✓	✓				✓		✓
QTL/A 1 ST FT-RH		✓	✓					✓	
QTL 1 ST FTE		✓	✓				✓		✓
QTL 1 SS E		✓	✓				✓		✓
QTL 1 IS FTE		✓	✓				✓		
QML/A 2 D	✓			✓				✓	✓
QTL/A 2 D		✓		✓					✓
QTL/A 2 ST FT		✓		✓					✓
QTL/A 2 ST FT-RH		✓		✓				✓	
QML/A 3 D	✓				✓				✓
QTL/A 3 D		✓			✓			✓	✓
QTL/A 3 ST FT		✓			✓				✓
QTL/A 3 ST FT-RH		✓			✓			✓	
QML 1 VFT	✓		✓				✓		✓
QTL 1 VFT		✓	✓				✓		✓
QML 2 VFT	✓			✓					✓
QTL 2 VFT		✓		✓					✓
QML 1.1 VFT	✓			✓					✓
QTL 1.1 VFT				✓					✓
QML 3 VFT	✓				✓				✓
QTL 3 VFT		✓			✓				✓
QTL 1.2 VFT		✓			✓				✓
QTL 4 VFT		✓				✓			✓
QTL 1.3 VFT		✓				✓			✓

Power  kW	Rotation speed		Starting				Typology		page
	Fixed Speed	Variable speed	D.O.L.	Y/Δ	Soft start	Impedance stator	Electromechanical	Electronic	
0,3 ÷ 1,5	✓		✓				✓		604
0,37 ÷ 2,2	✓		✓				✓		605
0,37 ÷ 2,2	✓		✓					✓	605
0,25 ÷ 1,5	✓		✓					✓	606
0,37 ÷ 7,5	✓		✓				✓		606
0,37 ÷ 5,5	✓		✓					✓	607
0,25 ÷ 11	✓		✓					✓	607
4 ÷ 30	✓		✓				✓		608
5,5 ÷ 45	✓			✓				✓	608
4 ÷ 92	✓			✓				✓	609
5,5 ÷ 110	✓			✓			✓		610
7,5 ÷ 132	✓				✓			✓	610
5,5 ÷ 110	✓					✓	✓		611
0,25 ÷ 1,5	✓		✓					✓	612
0,37 ÷ 5,5	✓		✓					✓	612
5,5 ÷ 45	✓			✓				✓	613
4 ÷ 92	✓			✓				✓	613
0,25 ÷ 1,5	✓		✓					✓	614
0,37 ÷ 5,5	✓		✓					✓	614
5,5 ÷ 45	✓			✓				✓	615
4 ÷ 92	✓			✓				✓	615
0,37 ÷ 3,7		✓	✓					✓	616
0,37 ÷ 75		✓	✓					✓	616
0,37 ÷ 3,7		✓						✓	617
0,37 ÷ 75		✓						✓	617
0,37 ÷ 3,7		✓						✓	618
0,37 ÷ 75		✓						✓	618
0,37 ÷ 3,7		✓						✓	619
0,37 ÷ 75		✓						✓	619
0,37 ÷ 75		✓						✓	620
0,37 ÷ 75		✓						✓	620
0,37 ÷ 75		✓						✓	621

## QM Control panel for 1 pump with single-phase motor, direct starting



Code	Type	Capacitor	Motor 230V - 1~	Dimensions <i>HxBxP mm</i>
		<b>450Vc</b>	<b>kW</b>	
44017940000	<b>QM 19</b>	6,3 µF	0,3	200x75x76
44017950000	<b>QM 11</b>	20 µF	0,55 - 0,75	200x75x76
44017960000	<b>QM 12</b>	25 µF	0,9 - 1,1	200x75x76
44017990000	<b>QM 13</b>	30 µF	0,9 - 1,1	200x75x76

### Construction

Control panel with ON-OFF switch and capacitor, for 1 pump with single-phase motor without built-in capacitor.

### Technical data

- Mains single-phase 230V ±10% 50/60 Hz (other voltages on request).
- Ambient temperature from -5 °C to +40 °C.
- Protection IP 55.

### Components

- Thermoplastic case.
- ON-OFF switch with lamp
- Capacitor
- Terminal board
- Cable glands

## QM Control panel for 1 pump with single-phase motor, direct starting



Code	Type	Protector	Capacitor	Motor 230V - 1~	Dimensions <i>HxBxP mm</i>
		<b>max A</b>	<b>450Vc</b>	<b>kW</b>	
44017950004	<b>QM 4-16</b>	4	16 µF	0,37	200x75x76
44017950007	<b>QM 5-20</b>	5	20 µF	0,55	200x75x76
44017960004	<b>QM 5-25</b>	5	25 µF	0,55	200x75x76
	<b>QM 6-20</b>	6	20 µF	0,75	200x75x76
44017960009	<b>QM 7-25</b>	7	25 µF	0,9	200x75x76
44017990001	<b>QM 7-30</b>	7	30 µF	0,75	200x75x76
44017960007	<b>QM 8-25</b>	8	25 µF	1,1	200x75x76
44017990004	<b>QM 8-30</b>	8	30 µF	1,1	200x75x76
44018000001	<b>QM 10-40</b>	10	40 µF	1,1	200x75x76
44018000000	<b>QM 12-35</b>	12	35 µF	1,5	200x75x76

### Construction

Control panel with ON-OFF switch, circuit breaker and capacitor, for 1 submersible pump with single-phase motor without built-in capacitor.

### Technical data

- Mains single-phase 230V ±10% 50/60 Hz (other voltages on request).
- Ambient temperature from -5 °C to +40 °C.
- Protection IP 55.

### Components

- Thermoplastic case.
- ON-OFF switch with lamp
- Thermal device
- Capacitor
- Terminal board
- Cable glands

## M COMP Control panel for 1 pump with single-phase motor, direct starting



LVBT



Code	Type	Protector max A	Capacitor 450Vc	Motor 230V - 1~ kW	Dimensions HxBxP mm
4402000000	M COMP 4-16	4,5	16 µF	0,37	220x210x110
44020001000	M COMP 4-20	4,5	20 µF	0,55	220x210x110
44020010000	M COMP 5-20	5	20 µF	0,55	220x210x110
44020011000	M COMP 5-25	5	25 µF	0,55	220x210x110
44020021000	M COMP 6-20	6	20 µF	0,75	220x210x110
44020023000	M COMP 6-35	6	35 µF	0,75	220x210x110
44020031000	M COMP 7-25	7	25 µF	0,9	220x210x110
44020032000	M COMP 7-30	7	30 µF	0,9	220x210x110
44020040000	M COMP 8-25	8	25 µF	1,1	220x210x110
44020041000	M COMP 8-30	8	30 µF	1,1	220x210x110
44020052000	M COMP 10-35	10	35 µF	1,1	220x210x110
44020053000	M COMP 10-40	10	40 µF	1,1	220x210x110
44020060000	M COMP 12-35	12	35 µF	1,5	220x210x110
44020062000	M COMP 12-50	12	50 µF	1,5	220x210x110
44020063000	M COMP 12-60	12	60 µF	1,5	220x210x110
44020081000	M COMP 16-70	16	70 µF	2,2	220x210x110

### Construction

Control panel with ON-OFF switch and capacitor for 1 pump with single-phase motor.  
Suitable for use with LVBT board for level control.  
Protection is provided by means of a main bi-polar switch with a phase protected against overload by means of a thermal element.

### Technical data

- Mains single-phase 230V ±10% 50/60 Hz (other voltages on request).
- Ambient temperature from -5 °C to +40 °C.
- Protection IP 44.
- Control through pressure switch (pressure booster set).
- Control through float switch (for filling a tank).

### Components

- Thermoplastic case.
- ON-OFF switch with pilot lamp with thermal protector.
- Capacitor.
- Terminal board.
- Terminals for LVBT board for level control.
- In/Out cable glands.

### On request:

- LVBT card for level control.

## PFC-M Control panel for 1 pump with single-phase motor, PF control



Type	Setting A	Capacitor 450Vc	Motor 230V - 1~ kW	Dimensions HxBxP mm
PFC-M 18-16	1 - 18	16 µF	0,37	220x210x110
PFC-M 18-20	1 - 18	20 µF	0,55	220x210x110
PFC-M 18-25	1 - 18	25 µF	0,55	220x210x110
PFC-M 18-30	1 - 18	30 µF	0,75	220x210x110
PFC-M 18-35	1 - 18	35 µF	0,75	220x210x110
PFC-M 18-40	1 - 18	40 µF	1,1	220x210x110
PFC-M 18-50	1 - 18	50 µF	1,5	220x210x110
PFC-M 18-60	1 - 18	60 µF	1,5	220x210x110
PFC-M 18-70	1 - 18	70 µF	2,2	220x210x110

### Construction

Control panel for controlling one pump with single-phase motor. Electronic control of the operation and dry-running protection through the power factor (PF) control.  
The installation of level probes into the well is not required.  
It stops the pump in case of lack of air cushion in the pressure vessel (patented system).  
Displayed operating data and alarms available in four languages.

### Technical data

- Mains single-phase 230V ±10% 50/60 Hz.
- Max output current: 18 A.
- Ambient temperature from -5 °C to +40 °C.
- Relative humidity: from 20% to 90% without condensation
- Protection IP 55.
- Control through pressure switch (pressure booster set).
- Control through float switch (for filling a tank).
- Alarm output signal.
- Constructed in accordance with: IEC/EN 60439-1.

### Setting

- Min – Max voltage range.
- Motor rated current.
- Power factor (PF) value for dry-running protection.
- Up to four programmable restarts in case of no water condition.

### Alarms (with pump stop)

- Mains failure.
- Undervoltage and overvoltage.
- Motor overload.
- No water.
- No air cushion in the pressure vessel.

### Components

- Thermoplastic case.
- Capacitor.
- Terminal board.
- Display : 2x16 characters.
- 6 button key board.
- In/Out Cable glands.

**On request:** - RA 100 control panel for remote alarm.

## QML/A 1 D Control panel for 1 pump with single-phase motor, direct starting



Code	Type	Motor 230V - 1~	Setting	Dimensions
		kW	A	HxBxP mm
14054460000	<b>QML/A 1 D 12A-FA</b>	0,25 - 1,5	1 - 12	250x205x105
24054460000	<b>QML/A 1 D 12A-FA 20</b>	0,25 - 1,5	1 - 12	250x205x105
24054460001	<b>QML/A 1 D 12A-FA 25</b>	0,25 - 1,5	1 - 12	250x205x105
14055740000	<b>QML/A 1 D 3 FT</b>	2,2 - 3	13 - 18	400x300x160

### Construction

Control panel for 1 pump with single-phase motor, direct starting for pressure booster sets and submersible drainage pumps.

Arranged for the capacitor internal connection (for pumps without built-in capacitor).

For pressure booster sets:

- with working time-measuring system that stops the pump in case of lack of air cushion in the pressure vessel.
- dry-running protection with float switch or level control probes.

For submersible drainage pumps:

- automatic operating test of the pump every set hours of inactivity (with pump in the automatic operating mode).
- Pump control with signals coming from:
  - **2 float switches:** one for starting-up and stopping pump, one for the alarm maximum level (optional).
  - **3 float switches:** one for starting-up pump, one for stopping the pump and one for the alarm maximum level (optional).

Pump operation controlled by an electronic board type MPS 3000 with microprocessor which allows different modes of operation of the pump.

### Technical data

- Mains single-phase 230V  $\pm 10\%$  50/60 Hz (other voltages on request).
- Ambient temperature from -5 °C to +40 °C.
- Protection IP 55.

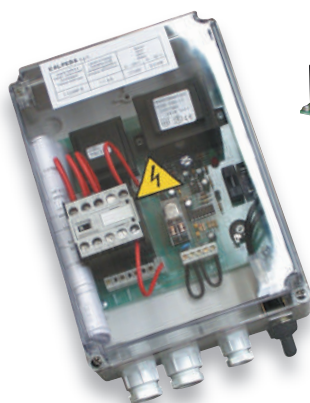
### Components

- Thermoplastic case. - Door lock master switch.
- Fuses for power line. - Fuses for auxiliary circuit.
- Electronic board type MPS 3000 with microprocessor.
- Terminals for pressure trasducer / level probes.
- Connection terminals for thermal protector.
- Connection terminals for the RA 100 - RA 100A type.
- Terminals for pressure switch connection.
- Terminals for float switch connection against dry-running.
- Cable glands.
- Remote alarm control panel or volt free contact module.

### ON REQUEST:

- RA 100 - RA 100A control panel for remote alarm.
- Volt free contact control panel Q-MSP 9M.

## T COMP Control panel for 1 pump with three-phase motor



LVBT



Code	Type	Protector	Motor 230V - 3~	Motor 400V - 3~	Dimensions
		A	kW	kW	HxBxP mm
14013130000	<b>T COMP 8</b>	1 ÷ 8	0,37 ÷ 1,5	0,5 ÷ 2,2	170x145x85
14013480000	<b>T COMP 10</b>	7 ÷ 10	---	3 ÷ 3,7	230x180x155
14024250000	<b>T COMP 12</b>	9 ÷ 12	2,2	4	230x180x155
14013560000	<b>T COMP 16</b>	11 ÷ 16	3	5,5	230x180x155
14013490000	<b>T COMP 20</b>	14 ÷ 20	3,7 - 4	7,5	230x180x155

### Construction

Control panel and protection for 1 pump with three-phase motor.

Arranged for the LVBT level control internal connection against dry running (T COMP8 model has the level control as a standard).

Control pumps with pressure switch and float-type switch.

### Technical data

- Mains 230V or 400V  $\pm 10\%$  50/60 Hz (other voltages on request).
- Ambient temperature from -5 °C to +40 °C.
- Protection IP 44.

### Components

- Thermoplastic case.
- ON-OFF control switch
- Fuse holder - Contactor - Thermal relay
- Fuses for change of voltage: 230 V or 400 V - Transformer
- Terminals for pressure switch or float switch connection
- Terminals for LVBT board (for T COMP 10,12,16,20 models)
- Green LED indicator: voltage ON
- Red LED indicator: thermic block
- Cable glands

### ON REQUEST:

- LVBT board for level control (for T COMP 10,12,16,20 models)

## PFC-T Control panel for 1 pump with three-phase motor, PF control



Code	Type	Motor 400V - 3~ kW	Setting A	Dimensions HxBxP mm
14058390000	<b>PFC-T 16/A</b>	0,37 - 5,5	1 - 16	250x205x105

### Construction

Control panel for controlling 1 pump with three-phase motor. Electronic control of the operation and dry-running protection through the power factor (PF) control.

The installation of level probes into the well is not required. It stops the pump in case of lack of air cushion in the pressure vessel. Displayed operating data and alarms, available in four languages.

### Technical data

- Mains three-phase 400V - 3 ~ ±10% 50/60 Hz
- Output current: 16 A
- Ambient temperature from -5 °C to +40 °C.
- Relative humidity: from 20% to 90% without condensation
- Protection IP 55.
- Control through pressure switch (pressure booster set)
- Control through float switch (for filling a tank)
- Alarm output signal
- Constructed in accordance with: IEC/EN 60439-1.

### Setting

- Min – Max voltage range
- Motor rated current
- Power factor (PF) value for dry-running protection
- Up to four programmable restarts in case of no water condition

### Alarms (with pump stop)

- Phase failure - Wrong phase sequence
- Undervoltage and overvoltage
- Motor overload
- No water
- No air cushion in the pressure vessel

### Components

- Thermoplastic case.
- Terminal board.
- Display : 2x16 characters. - 6 button key board.
- In/Out Cable glands.

**On request:** - RA 100 control panel for remote alarm.

## QTL/A 1 D Control panel for 1 pump with three-phase motor, direct starting



Code	Type	Motor 400V - 3~ kW	Setting A	Dimensions HxBxP mm
14054470000	<b>QTL/A 1 D 12A-FA</b>	0,25 - 5,5	1 - 12	250x205x105
14054480000	<b>QTL/A 1 D 7,5 FT</b>	7,5	13 - 18	400x300x160
14054490000	<b>QTL/A 1 D 9,2 FT</b>	9,2	17 - 23	400x300x160
14054500000	<b>QTL/A 1 D 11 FT</b>	11	20 - 25	400x300x160

### Construction

Control panel for 1 pump with three-phase motor, direct starting for pressure booster sets and submersible drainage pumps.

For pressure booster sets:

- with working time-measuring system that stops the pump in case of lack of air cushion in the pressure vessel.
- dry-running protection with float switch or level control probes.

For submersible drainage pumps:

- automatic operating test of the pump every set hours of inactivity (with pump in the automatic operating mode).
- Pump control with signals coming from:
  - **2 float switches:** one for starting-up and stopping pump, one for the alarm maximum level (optional).
  - **3 float switches:** one for starting-up pump, one for stopping the pump and one for the alarm maximum level (optional).

Pump operation controlled by an electronic board type MPS 3000 with microprocessor which allows different modes of operation of the pump.

### Technical data

- Mains 400V 3 ~ ±10% 50/60 Hz (other voltages on request).
- Ambient temperature from -5 °C to +40 °C.
- Protection IP 55.

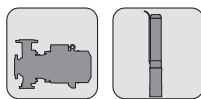
### Components

- Thermoplastic case (metallic for 7,5-9,2-11kW).
- Door lock master switch.
- Fuses for power line. - Fuses for auxiliary circuit.
- Starting contactor and thermal relay (for 7,5-9,2-11kW).
- Electronic board type MPS 3000 with microprocessor.
- Terminals for pressure trasducer / level probes.
- Connection terminals for thermal protector.
- Connection terminals for the RA 100 - RA 100A type.
- Terminals for pressure switch connection.
- Terminals for float switch connection against dry-running.
- Terminals for remote signals
- Cable glands.

### ON REQUEST:

- RA 100 - RA 100A control panel for remote alarm.
- Volt free contact control panel Q-MSP 9M.

## QTL 1 D FTE Control panel for 1 pump with three-phase motor, direct starting



Code	Type	Motor 400V - 3~ kW	Setting A	Dimensions HxBxP mm
14029820000	QTL 1 D 4 FTE	4	6,3 - 10	400x300x160
14058920000	QTL 1 D 5,5 FTE	5,5	9 - 12	400x300x160
14058930000	QTL 1 D 7,5 FTE	7,5	13 - 18	400x300x160
14050250000	QTL 1 D 9,2 FTE	9,2	17 - 23	400x300x160
14037630000	QTL 1 D 11 FTE	11	20 - 25	400x300x160
14058940000	QTL 1 D 15 FTE	15	24 - 32	500x350x200
14029220000	QTL 1 D 18,5 FTE	18,5	32 - 38	500x350x200
14058950000	QTL 1 D 22 FTE	22	35 - 50	500x350x200
14058960000	QTL 1 D 30 FTE	30	46 - 65	500x350x200

### Construction

Electromechanical control panel for 1 pump with three-phase motor, direct starting.

Operating signals by E 1000 led card.

Dry-running protection with float switch.

Construction with SRLE level control for probes connection against dry-running on request .

### Components

- Metal case. - Door lock master switch.
- Power circuit fuses. - Fuses for auxiliary circuit.
- Starting contactor. - Thermal relay
- Transformer. - E 1000 led card.
- Terminals for connection pump operating signal.
- Terminals for float switch connection against dry-running.
- Cable glands.

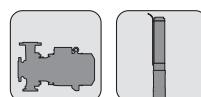
### Technical data

- Mains 400V 3 ~ ±10% 50/60 Hz (other voltages on request).
- Ambient temperature from -5 °C to +40 °C.
- Protection IP 55.

### ON REQUEST:

- RLE level control for probes against dry running
- RLE level control for pump operating probes.
- Voltmeter. - Ammeter.

## QTL/A 1 ST FT Control panel for 1 pump with three-phase motor, Y/Δ starting



Code	Type	Motor Power kW	400V - 3~ Current A	Dimensions HxBxP mm
14054510000	QTL/A 1 ST 5,5 FT	5,5	11 - 15	600x400x200
14054520000	QTL/A 1 ST 7,5 FT	7,5	12 - 17	600x400x200
14054530000	QTL/A 1 ST 11 FT	9,2 - 11	16 - 24	600x400x200
14054540000	QTL/A 1 ST 15 FT	15	23 - 31	600x400x200
14054550000	QTL/A 1 ST 18,5 FT	18,5	30 - 39	600x400x200
14054560000	QTL/A 1 ST 22 FT	22	35 - 43	700x500x200
14054570000	QTL/A 1 ST 30B FT	30	42 - 55	700x500x200
14054580000	QTL/A 1 ST 30A FT	30	55 - 65	700x500x200
14054590000	QTL/A 1 ST 37 FT	37	61 - 84	800x600x250
14054600000	QTL/A 1 ST 45 FT	45	80 - 105	800x600x250

### Construction

Control panel for 1 pump with three-phase motor, Y/Δ starting for pressure booster sets, with working time-measuring system that stops the pump in case of lack of air cushion in the pressure vessel.

Pump operation controlled by an electronic card type MPS 3000 with microprocessor with different pump operating modes.

Dry-running protection with float switch or level control probes.

### Components

- Metal case. - Door lock master switch.
- Fuses for power line. - Fuses for auxiliary circuit.
- Starting contactors. - Thermal relay. - Transformer.
- Electronic board MPS 3000 with microprocessor.
- Terminals for pressure trasducer / level probes.
- Connection terminals for thermal protector.
- Connection terminals for the RA 100 - RA 100A type.
- Terminals for motor connection.
- Terminals for connection pressure switch of pump operating.
- Terminals for float switch connection against dry-running.
- Terminals for remote signals
- Cable glands.

### Technical data

- Mains 400V 3 ~ ±10% 50/60 Hz (other voltages on request).
- Ambient temperature from -5 °C to +40 °C.
- Protection IP 55.

### ON REQUEST:

- RA 100 - RA 100A control panel for remote alarm.
- Voltmeter. - Ammeter.



## QTL/A 1 ST FT-RH Control panel for 1 **submersible drainage** pump with three-phase motor, Y/Δ starting



Code	Type	Motor Power kW	400V - 3~	Dimensions HxBxP mm
			Current A	
14054610000	QTL/A 1 ST 4 FT-RH	4	7 - 11	600x400x200
14054620000	QTL/A 1 ST 5,5 FT-RH	5,5	11 - 15	600x400x200
14054630000	QTL/A 1 ST 7,5 FT-RH	7,5	12 - 17	600x400x200
14054640000	QTL/A 1 ST 11 FT-RH	9,2 - 11	16 - 24	600x400x200
14054650000	QTL/A 1 ST 15 FT-RH	15	23 - 31	600x400x200
14054660000	QTL/A 1 ST 18,5 FT-RH	18,5	30 - 39	600x400x200
14054670000	QTL/A 1 ST 22 FT-RH	22	35 - 43	700x500x250
14054680000	QTL/A 1 ST 30B FT-RH	30	42 - 55	700x500x250
14054690000	QTL/A 1 ST 30A FT-RH	30	55 - 65	700x500x250
14054700000	QTL/A 1 ST 37 FT-RH	37	61 - 84	800x600x250
14054710000	QTL/A 1 ST 45 FT-RH	45	80 - 105	800x600x250
14054720000	QTL/A 1 ST 55 FT-RH	55	100 - 125	800x600x250
14054730000	QTL/A 1 ST 75 FT-RH	75	120 - 150	900x600x300
14054740000	QTL/A 1 ST 92 FT-RH	92	155 - 255	1100x700x250

### Construction

Control panel with protection for 1 submersible drainage pump with three-phase motor, Y/Δ starting.

Operation managed by the MPS 3000 electronic circuit board that has the following functions:

- automatic operating test of the pump every set hours of inactivity (with pump in the automatic operating mode).
- Pump control with signals coming from:
  - **2 float switches:** for starting-up and stopping pump, for the alarm (maximum level is optional).
  - **3 float switches:** for starting-up pump, for stopping the pump and for the alarm (maximum level is optional).

### Technical data

- Mains 400V 3 ~ ±10% 50/60 Hz (other voltages on request).
- Ambient temperature from -5 °C to +40 °C.
- Protection IP 55.

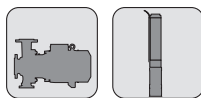
### Components

- Metal case.
- Line selector switch with door-locking device.
- Power line fuses.
- Auxiliary circuit fuses. - Contactors.
- Y/Δ timer. - Thermal relay. - Level regulator.
- MPS 3000 type circuit board with microprocessor.
- Terminals for pressure trasducer / level probes.
- Connection terminals for thermal protector.
- Connection terminals for the RA 100 - RA 100A type.
- Connection terminals for float switches or level probes.
- Connection terminals for water seepages probe.
- Cable glands.

### ON REQUEST:

- Volt free contact control panel Q-MSP 9M.
- RA 100 - RA 100A control panel for remote alarm.
- Voltmeter. - Ammeter.

## QTL 1 ST FTE Control panel for 1 pump with three-phase motor, Y/Δ starting



Code	Type	Motor Power kW	400V - 3~ Current A	Dimensions HxBxP mm
14058970000	QTL 1 ST 5,5 FTE	5,5	11 - 15	500x350x200
14058980000	QTL 1 ST 7,5 FTE	7,5	12 - 17	500x350x200
14029200000	QTL 1 ST 11 FTE	9,2 - 11	16 - 24	500x350x200
14058990000	QTL 1 ST 15 FTE	15	23 - 31	500x350x200
14029440000	QTL 1 ST 18,5 FTE	18,5	30 - 39	500x350x200
14031710000	QTL 1 ST 22 FTE	22	35 - 43	600x400x200
14059000000	QTL 1 ST 30B FTE	30	42 - 55	600x400x200
14048380000	QTL 1 ST 30A FTE	30	55 - 65	600x400x200
14048520000	QTL 1 ST 37 FTE	37	61 - 84	700x500x200
14047050000	QTL 1 ST 45 FTE	45	80 - 105	700x500x200
14059010000	QTL 1 ST 55 FTE	55	100 - 125	700x500x200
14059020000	QTL 1 ST 75 FTE	75	120 - 160	800x600x250
14059030000	QTL 1 ST 92 FTE	92	140 - 198	800x600x250
14059040000	QTL 1 ST 110 FTE	110	180 - 250	800x600x250

### Construction

Electromechanical control panel for 1 pump with three-phase motor, Y/Δ starting.  
 Operating signals by E 1000 led board.  
 Dry-running protection with float switch.  
 Construction with SRLE level control for probes connection against dry-running on request .

### Technical data

- Mains 400V 3 ~ ±10% 50/60 Hz (other voltages on request).  
 - Ambient temperature from -5 °C to +40 °C.  
 - Protection IP 55.

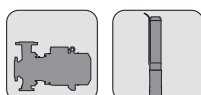
### Components

- Metal case. - Door lock master switch. - Fuses for power line.  
 - Fuses for auxiliary circuit. - Starting contactors. - Thermal relay.  
 - Y/Δ timer. - Transformer. - E 1000 led board.  
 - Terminals for motor connection.  
 - Terminals for connection of pump operating signal.  
 - Terminals for float switch connection against dry-running.  
 - Cable glands.

### ON REQUEST:

- RLE level control for probes against dry running.  
 - RLE level control for pump operating probes.  
 - Voltmeter. - Ammeter.

## QTL 1 SS E Control panel for 1 pump with three-phase motor, start/stop with soft starter



Code	Type	Motor 400V - 3~ kW	Max current output max A	Dimensions HxBxP mm
14059050000	QTL 1 SS 7,5 E	7,5	17	700x500x250
14053880000	QTL 1 SS 15 E	9,2 - 11 - 15	30	700x500x250
14028440000	QTL 1 SS 22 E	18,5 - 22	45	700x500x250
14059060000	QTL 1 SS 30 E	26 - 30	60	900x600x300
14045900000	QTL 1 SS 37 E	37	75	900x600x300
14059070000	QTL 1 SS 45 E	45	85	900x600x300
14059080000	QTL 1 SS 55 E	55	110	900x600x300
14059090000	QTL 1 SS 63 E	63	125	1100x700x300
14059100000	QTL 1 SS 75 E	75	142	1100x700x300
14059110000	QTL 1 SS 90 E	90	190	1200x800x400
14059120000	QTL 1 SS 132 E	110 - 132	245	1200x800x400

### Construction

Control panel for 1 pump with three-phase motor, start/stop with soft starter.  
 Operating signals on E 1000 led board.  
 Application: control of submersible motor with great cable length and surface motors.  
 Dry-running protection with float switch.  
 Construction with SRLE level control for probes connection against dry-running on request .

### Technical data

- Mains 400V 3 ~ ±10% 50/60 Hz (other voltages on request).  
 - Ambient temperature from -5 °C to +40 °C.  
 - Protection IP 55.

### Components

- Metal case. - Door lock master switch.  
 - Fuses for power line. - Fuses for auxiliary circuit.  
 - Soft starter - Transformer.  
 - By pass contactors (built into the soft starter) - E 1000 led board.  
 - Terminals for float switch or level probes connection for pump operating.  
 - Terminals for float switch or level probes connection against dry-running.  
 - Cable glands.

### ON REQUEST:

- RLE level control for connection level probes of pump operating.  
 - RLE level control for probes against dry running.  
 - Voltmeter. - Ammeter.

## QTL 1 IS FTE Control panel for 1 pump with three-phase motor, with Stator Impedance starter



Code	Type	Motor Power kW	400V - 3~	Dimensions HxBxP mm
			Current A	
14059130000	QTL 1 IS 5,5 FTE-2RL	5,5	11 - 15	
14059140000	QTL 1 IS 7,5 FTE-2RL	7,5	12 - 17	
14059150000	QTL 1 IS 11 FTE-2RL	9,2 - 11	16 - 24	
14052700000	QTL 1 IS 15 FTE-2RL	15	23 - 31	
14059160000	QTL 1 IS 18,5 FTE-2RL	18,5	30 - 39	
14059170000	QTL 1 IS 22 FTE-2RL	22	35 - 43	
14059180000	QTL 1 IS 30 FTE-2RL	30	42 - 65	
14059190000	QTL 1 IS 37 FTE-2RL	37	61 - 84	
14059200000	QTL 1 IS 45 FTE-2RL	45	80 - 105	
14059210000	QTL 1 IS 55 FTE-2RL	55	100 - 125	
14059220000	QTL 1 IS 75 FTE-2RL	75	120 - 160	
14059230000	QTL 1 IS 92 FTE-2RL	92	140 - 198	
14059240000	QTL 1 IS 110 FTE-2RL	110	180 - 250	

### Construction

Electromechanical control panel for 1 submersible pump with three-phase motor, with Stator Impedance starter.

Operating signals on led board type E 1000.

Application : submersible motors control with great cable length.

Construction with SRLE level control for probes connection against dry-running .

### Technical data

- Mains 400V 3 ~ ±10% 50/60 Hz (other voltages on request).

- Ambient temperature from -5 °C to +40 °C.

- Protection IP 55.

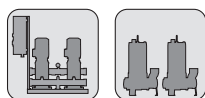
### Components

- Metal case. - Door lock master switch.
- Fuses for power line. - Fuses for auxiliary circuit.
- Stator Impedance - By pass contactors
- Transformer. - E 1000 led board.
- RLE level control for connection level probes of pump control.
- RLE level control for probes against dry running.
- Terminals for connection level probes or float switch for operating pump.
- Terminals for level probes or float switch connection against dry-running.
- Cable glands.

### ON REQUEST:

- Voltmeter. - Ammeter.

## QML/A 2 D Control panel for 2 pumps with single-phase motor, direct starting



Code	Type	Motor 230V - 1~	Protector	Dimensions
		kW	max A	HxBxP mm
14054750000	<b>QML/A 2 D 12A-FA</b>	0,25 - 1,5	1 - 12	310x235x125
24054750000	<b>QML/A 2 D 12A-FA 20</b>	0,25 - 1,5	1 - 12	310x235x125
24054750001	<b>QML/A 2 D 12A-FA 25</b>	0,25 - 1,5	1 - 12	310x235x125
24054750002	<b>QML/A 2 D 12A-FA 30-85</b>	0,25 - 1,5	1 - 12	395x315x135
24054750003	<b>QML/A 2 D 12A-FA 35-85</b>	0,25 - 1,5	1 - 12	395x315x135
14055750000	<b>QML/A 2 D 3 FT</b>	2,2 - 3	13 - 18	500x350x160

Control panel for 2 pumps with single-phase motor, direct starting for pressure booster sets and submersible drainage pumps. Arranged for the capacitor internal connection (for pumps without built-in capacitor).

For pressure booster sets:

- with working time-measuring system that stops the pump in case of lack of air cushion in the pressure vessel.
- dry-running protection with float switch or level control probes.

For submersible drainage pumps:

- pump changing at every pump start.
- working pumps changing after 30 minutes of uninterrupted operation.
- automatic operating test of each individual pump every set hours of inactivity (with pumps in the automatic functioning mode).

- Pump control with signals coming from:

- **3 float switches:** for starting-up and stopping pump 1, for starting-up and stopping pump 2, for the alarms (maximum level is optional).
- **4 float switches:** for starting-up pump 1, for starting up pump 2, for stopping the pumps and for the alarms (maximum level is optional).

Pump operation controlled by an electronic board type MPS 3000 with microprocessor which allows different modes of operation of the pump.

### Technical data

- Mains single-phase 230V  $\pm 10\%$  50/60 Hz (other voltages on request).
- Ambient temperature from -5 °C to +40 °C.
- Protection IP 55.

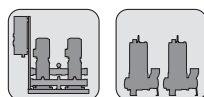
### Components

- Thermoplastic case.- Door lock master switch.
- Fuses for power line. - Fuses for auxiliary circuit.
- Starting relay.
- Two capacitor (on request)
- Electronic board type MPS 3000 with microprocessor.
- Terminals for pressure trasducer / level probes.
- Connection terminals for thermal protector.
- Connection terminals for the RA 100 - RA 100A type.
- Terminals for pressure switch connection.
- Terminals for float switch or float switch connection against dry-running.
- Terminals for remote signals
- Cable glands.

### ON REQUEST:

- Volt free contact control panel Q-MSP 13M.
- RA 100 - RA 100A control panel for remote alarm.

## QTL/A 2 D Control panel for 2 pumps with three-phase motor, direct starting



Code	Type	Motor 400V 3~	Setting	Dimensions
		kW	max A	HxBxP mm
14054760000	<b>QTL/A 2 D 12A-FA</b>	0,25 - 5,5	1 - 12	310x235x125

### Construction

Control panel for 2 pumps with three-phase motor, direct starting for pressure booster sets and submersible drainage pumps.

For pressure booster sets:

- with working time-measuring system that stops the pump in case of lack of air cushion in the pressure vessel.
- dry-running protection with float switch or level control probes.

For submersible drainage pumps:

- pump changing at every pump start.
- working pumps changing after 30 minutes of uninterrupted operation.
- automatic operating test of each individual pump every set hours of inactivity (with pumps in the automatic functioning mode).

- Pump control with signals coming from:

- **3 float switches:** for starting-up and stopping pump 1, for starting-up and stopping pump 2, for the alarms (maximum level is optional).
- **4 float switches:** for starting-up pump 1, for starting up pump 2, for stopping the pumps and for the alarms (maximum level is optional).

Pump operation controlled by an electronic board type MPS 3000 with microprocessor which allows different modes of operation of the pump.

### Technical data

- Mains 400V 3 ~  $\pm 10\%$  50/60 Hz (other voltages on request).
- Ambient temperature from -5 °C to +40 °C.
- Protection IP 55.

### Components

- Thermoplastic case.
- Door lock master switch.
- Fuses for power line. - Fuses for auxiliary circuit.
- Electronic board type MPS 3000 with microprocessor.
- Terminals for pressure trasducer / level probes.
- Connection terminals for thermal protector.
- Connection terminals for the RA 100 - RA 100A type.
- Terminals for pressure switch connection.
- Terminals for float switch or flow switch connection against dry-running.
- Terminals for remote signals
- Cable glands.

### ON REQUEST:

- Volt free contact control panel Q-MSP 13M.
- RA 100 - RA 100A control panel for remote alarm.

# Control panels

## QTL/A 2 ST FT Control panel for 2 pumps with three-phase motor, Y/Δ starting



Code	Type	Motor Power kW	400V - 3~	Dimensions HxBxP mm
			Current A	
14054770000	QTL/A 2 ST 5,5 FT	5,5	11 - 15	700x500x200
14054780000	QTL/A 2 ST 7,5 FT	7,5	12 - 17	700x500x200
14054790000	QTL/A 2 ST 11 FT	9,2 - 11	16 - 24	700x500x200
14054800000	QTL/A 2 ST 15 FT	15	23 - 31	700x500x200
14054810000	QTL/A 2 ST 18,5 FT	18,5	30 - 39	700x500x200
14054820000	QTL/A 2 ST 22 FT	22	35 - 43	900x600x250
14054830000	QTL/A 2 ST 30B FT	30	42 - 55	900x600x250
14054840000	QTL/A 2 ST 30A FT	30	55 - 65	900x600x250
14054850000	QTL/A 2 ST 37 FT	37	61 - 84	1100x700x250
14054860000	QTL/A 2 ST 45 FT	45	80 - 105	1100x700x250

### Construction

Control panel for 2 pumps with three-phase motor, Y/Δ starting, for pressure booster sets, with working time-measuring system that stops the pump in case of lack of air cushion in the pressure vessel. Pump operation cascade mode controlled by an electronic board type MPS 3000 with microprocessor which allows different operation modes: Dry-running protection with float switch or level control probes.

### Technical data

- Mains 400V ±10% 50/60 Hz (other voltages on request).
- Ambient temperature from -5 °C to +40 °C.
- Protection IP 55.

### Components

- Metal case. - Door lock master switch.
- Fuses for power line. - Fuses for auxiliary circuit.
- Starting contactors. - Thermal relay. - Y/Δ timers. - Transformer.
- Electronic board type MPS 3000 with microprocessor.
- Terminals for pressure trasducer / level probes.
- Connection terminals for thermal protector.
- Connection terminals for the RA 100 - RA 100A type.
- Terminals for pressure switch connection.
- Terminals for float switch or float switch connection against dry-running.
- Terminals for remote signals - Cable glands.

### ON REQUEST:

- Volt free contact control panel Q-MSP 13M.
- RA 100 - RA 100A control panel for remote alarm.
- Voltmeter. - Ammeter.

## QTL/A 2 ST FT-RH Electric control panel for 2 drainage pumps with three-phase motor, Y/Δ starting



Code	Type	Motor Power kW	400V - 3~	Dimensions HxBxP mm
			Current A	
14054870000	QTL/A 2 ST 4 FT-RH	4	7 - 11	700x500x200
14054880000	QTL/A 2 ST 5,5 FT-RH	5,5	11 - 15	700x500x200
14054890000	QTL/A 2 ST 7,5 FT-RH	7,5	12 - 17	700x500x200
14054900000	QTL/A 2 ST 11 FT-RH	9,2 - 11	16 - 24	700x500x200
14054910000	QTL/A 2 ST 15 FT-RH	15	23 - 31	700x500x200
14054920000	QTL/A 2 ST 18,5 FT-RH	18,5	30 - 39	700x500x200
14054930000	QTL/A 2 ST 22 FT-RH	22	35 - 43	900x600x250
14054940000	QTL/A 2 ST 30B FT-RH	30	42 - 55	900x600x250
14054950000	QTL/A 2 ST 30A FT-RH	30	55 - 65	900x600x250
14054960000	QTL/A 2 ST 37 FT-RH	37	61 - 84	1100x700x250
14054970000	QTL/A 2 ST 45 FT-RH	45	80 - 105	1100x700x250
14054980000	QTL/A 2 ST 55 FT-RH	55	100 - 125	1200x800x300
14054990000	QTL/A 2 ST 75 FT-RH	75	120 - 150	1200x800x300
14055000000	QTL/A 2 ST 92 FT-RH	92	155 - 255	1400x800x400

### Construction

Control panel with protection for 2 submersible drainage pumps with three-phase motor, Y/Δ starting. Operation managed by the MPS 3000 electronic circuit board that has the following functions:

- pump changing at every pump start.
- working pumps changing after 30 minutes of uninterrupted operation.
- automatic operating test of each individual pump every set hours of inactivity (with pumps in the automatic functioning mode).
- Pump control with signals coming from:
  - **3 float switches:** for starting-up and stopping pump 1, for starting-up and stopping pump 2, for the alarms (maximum level is optional).
  - **4 float switches:** for starting-up pump 1, for starting up pump 2, for stopping the pumps and for the alarms (maximum level is optional).

### Technical data

- Mains 400V 3 ~ ±10% 50/60 Hz (other voltages on request).
- Ambient temperature from -5 °C to +40 °C.
- Protection IP 55.

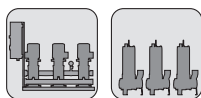
### Components

- Metal case. - Door lock master switch.
- Power line fuses. - Auxiliary circuit fuses. - Contactors.
- Y/Δ timers. - Level regulator.
- Electronic board type MPS 3000 with microprocessor.
- Terminals for pressure trasducer / level probes.
- Connection terminals for float switches.
- Connection terminals for thermal protectors.
- Connection terminals for water seepages probe.
- Connection terminals for the RA 100, RA 100A type remote alarm control panel or volt free contact module.
- Cable glands.

### ON REQUEST:

- Volt free contact control panel Q-MSP 13M.
- RA 100 - RA 100A control panel for remote alarm.
- Voltmeter. - Ammeter.

## QML/A 3 D Control panel for 3 pumps with single-phase motor, direct starting



Code	Type	Motor 230V - 1~ kW	Setting max A	Dimensions HxBxP mm
14055010000	<b>QML/A 3 D 12A-FA</b>	0,25 - 1,5	1 - 12	395x315x135

### Construction

Control panel for 3 pumps with single-phase motor, direct starting for pressure booster sets, with working time-measuring system that stops the pump in case of lack of air cushion in the pressure vessel. Pump operation cascade mode controlled by an electronic board type MPS 3000 with microprocessor which allows different operation modes. Dry-running protection with float switch or level control probes.

### Technical data

- Mains single-phase 230V  $\pm 10\%$  50/60 Hz (other voltages on request).
- Ambient temperature from -5 °C to +40 °C.
- Protection IP 55.

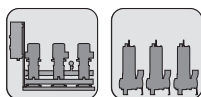
### Components

- Thermoplastic case.
- Door lock master switch.
- Fuses for power line. - Fuses for auxiliary circuit.
- Starting relay. - Circuit breaker.
- Electronic board type MPS 3000 with microprocessor.
- Terminals for pressure trasducer / level probes.
- Connection terminals for thermal protector.
- Connection terminals for the RA 100 - RA 100A type.
- Terminals for pressure switch connection.
- Terminals for float switch or float switch connection against dry-running.
- Terminals for remote signals
- Cable glands.

### ON REQUEST:

- Volt free contact control panel Q-MSP 13M.
- RA 100 - RA 100A control panel for remote alarm.

## QTL/A 3 D Control panel for 3 pumps with three-phase motor, direct starting



Code	Type	Motor 400V - 3~ kW	Setting max A	Dimensions HxBxP mm
14055020000	<b>QTL/A 3 D 12A-FA</b>	0,37 - 5,5	1 - 12	395x315x135

### Construction

Control panel for 3 pumps with three-phase motor, direct starting, for pressure booster sets and submersible drainage pumps.

For pressure booster sets:

- with working time-measuring system that stops the pump in case of lack of air cushion in the pressure vessel.
- dry-running protection with float switch or level control probes.

For submersible drainage pumps:

- changes pumps at every pump start.
- changes working pumps after 30 minutes of uninterrupted operation.
- automatic functioning test of each individual pump every set hours of inactivity (with pumps in the automatic functioning mode).
- Pump control with signals coming from:
  - **4 float switches:** for starting-up and stopping pump, for the alarm (maximum level is optional).
  - **5 float switches:** for starting-up pump, for stopping the pumps and for the alarm (maximum level is optional).

Pump operation controlled by an electronic board type MPS 3000 with microprocessor which allows different modes of operation of the pump.

### Technical data

- Mains 400V 3 ~  $\pm 10\%$  50/60 Hz (other voltages on request).
- Ambient temperature from -5 °C to +40 °C.
- Protection IP 55.

### Components

- Thermoplastic case. - Door lock master switch.
- Fuses for power line. - Fuses for auxiliary circuit.
- Starting contactors. - Thermal relay.
- Electronic board type MPS 3000 with microprocessor.
- Terminals for pressure trasducer / level probes.
- Connection terminals for thermal protector.
- Connection terminals for the RA 100 - RA 100A type.- Terminals for pressure switch connection.
- Terminals for float switch or flow switch connection against dry-running.
- Terminals for remote signals - Cable glands.

### ON REQUEST:

- Volt free contact control panel Q-MSP 13M.
- RA 100 - RA 100A control panel for remote alarm.

## QTL/A 3 ST FT Control panel for 3 pumps with three-phase motor, Y/Δ starting



Code	Type	Motor Power kW	400V - 3~	Dimensions HxBxP mm
			Current A	
14055030000	QTL/A 3 ST 5,5 FT	5,5	11 - 15	700x500x200
14055040000	QTL/A 3 ST 7,5 FT	7,5	12 - 17	700x500x200
14055050000	QTL/A 3 ST 11 FT	9,2 - 11	16 - 24	800x600x250
14055060000	QTL/A 3 ST 15 FT	15	23 - 31	800x600x250
14055070000	QTL/A 3 ST 18,5 FT	18,5	30 - 39	1000x600x250
14055080000	QTL/A 3 ST 22 FT	22	35 - 43	1100x700x250
14055090000	QTL/A 3 ST 30B FT	30	42 - 55	1200x800x300
14055100000	QTL/A 3 ST 30A FT	30	55 - 65	1200x800x300
14055110000	QTL/A 3 ST 37 FT	37	61 - 84	1400x800x400
14055120000	QTL/A 3 ST 45 FT	45	80 - 105	1400x800x400

### Construction

Control panel for 3 pumps with three-phase motor, Y/Δ starting, for pressure booster sets, with working time-measuring system that stops the pump in case of lack of air cushion in the pressure vessel.

Pump operation cascade mode controlled by an electronic board type MPS 3000 with microprocessor which allows different operation modes: standard, emergency and timed.

Dry-running protection with float switch or level control probes.

### Components

- Metal case. - Door lock master switch. - Fuses for power line.
- Fuses for auxiliary circuit. - Starting contactors.
- Thermal relay. - Y/Δ timers. - Transformer.
- Electronic board type MPS 3000 with microprocessor.
- Terminals for pressure trasducer / level probes.
- Connection terminals for thermal protector.
- Connection terminals for the RA 100 - RA 100A type.
- Terminals for pumps connection.
- Terminals for pressure switch connection.
- Terminals for float switch or flow switch connection against dry-running.
- Terminals for remote signals - Cable glands.

### Technical data

- Mains 400V ±10% 50/60 Hz (other voltages on request).
- Ambient temperature from -5 °C to +40 °C.
- Protection IP 55.

### ON REQUEST:

- Volt free contact control panel Q-MSP 13M.
- RA 100 - RA 100A control panel for remote alarm.
- Voltmeter. - Ammeter.

## QTL/A 3 ST FT-RH Electric control panel for 3 drainage pumps with three-phase motor, Y/Δ starting



Code	Type	Motor Power kW	400V - 3~	Dimensions HxBxP mm
			Current A	
14055130000	QTL/A 3 ST 4 FT-RH	4	7 - 11	700x500x200
14055140000	QTL/A 3 ST 5,5 FT-RH	5,5	11 - 15	700x500x200
14055150000	QTL/A 3 ST 7,5 FT-RH	7,5	12 - 17	700x500x200
14055160000	QTL/A 3 ST 11 FT-RH	9,2 - 11	16 - 24	800x600x250
14055170000	QTL/A 3 ST 15 FT-RH	15	23 - 31	800x600x250
14055180000	QTL/A 3 ST 18,5 FT-RH	18,5	30 - 39	1000x600x250
14055190000	QTL/A 3 ST 22 FT-RH	22	35 - 43	1100x700x250
14055200000	QTL/A 3 ST 30B FT-RH	30	42 - 55	1200x800x300
14055210000	QTL/A 3 ST 30A FT-RH	30	55 - 65	1200x800x300
14055220000	QTL/A 3 ST 37 FT-RH	37	61 - 84	1400x800x400
14055230000	QTL/A 3 ST 45 FT-RH	45	80 - 105	1400x800x400
14055240000	QTL/A 3 ST 55 FT-RH	55	100 - 125	1600x800x400
14055250000	QTL/A 3 ST 75 FT-RH	75	120 - 150	1600x1000x400
14055260000	QTL/A 3 ST 92 FT-RH	92	155 - 255	1600x1000x400

### Construction

Control panel with protection for 3 submersible drainage pumps with three-phase motor, Y/Δ starting.

Operation managed by the MPS 3000 electronic circuit board that incorporates the following functions:

- changes pumps at every pump start.
- changes working pumps after 30 minutes of uninterrupted operation.
- automatic functioning test of each individual pump every set hours of inactivity (with pumps in the automatic functioning mode).
- Pump control with signals coming from:
  - **4 float switches:** for starting-up and stopping pump, for the alarm (maximum level is optional).
  - **5 float switches:** for starting-up pump, for stopping the pumps and for the alarm (maximum level is optional).

### Technical data

- Mains 400V 3 ~ ±10% 50/60 Hz (other voltages on request).
- Ambient temperature from -5 °C to +40 °C. - Protection IP 55.

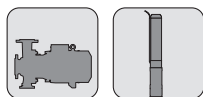
### Components

- Metal case.
- Line selector switch with door-locking device.
- Power line fuses. - Auxiliary circuit fuses.
- Contactors. - Y/Δ timers.
- Electronic board type MPS 3000 with microprocessor.
- Terminals for pressure trasducer / level probes.
- Connection terminals for thermal protector.
- Connection terminals for the RA 100 - RA 100A type.
- Connection terminals for float switches.
- Connection terminals for water seepages probe.
- Cable glands.

### ON REQUEST:

- Volt free contact control panel Q-MSP 13M.
- RA 100 - RA 100A control panel for remote alarm .
- Voltmeter. - Ammeter.

## QML 1 VFT Control panel for 1 pump with **variable speed** three-phase motor.



Code	Type	Motor 230V - 3~ kW	Max current output max A	Dimensions HxBxP mm
14059250000	<b>QML 1 VFT 0,4</b>	0,37 - 0,45	2,4	500x350x200
14059260000	<b>QML 1 VFT 0,75</b>	0,55 - 0,75	4,2	500x350x200
14059270000	<b>QML 1 VFT 1,5</b>	1,1 - 1,5	7,5	500x350x200
14050260000	<b>QML 1 VFT 2,2</b>	2,2	10	500x350x200

### Construction

**Single-phase mains supply** control panel with frequency converter for 1 pump with three-phase 230V variable speed motor, for constant pressure booster sets.

Arranged for SRL 3 level control application for probes connection against dry-running.

Pump operation controlled by an electronic board type MPS 4000 with microprocessor.

### Technical data

- Mains single-phase 230V  $\pm 10\%$  50 Hz (other voltages on request).
- Ambient temperature from -5 °C to +40 °C.
- Protection IP 44.

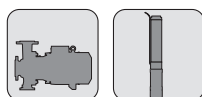
### Components

- Metal case. - Door lock master switch.
- Fuses for power line. - Fuses for auxiliary circuit.
- EMC filter. - Frequency converter. - MPS 4000 electronic card.
- Interface for MPS 4000 electronic board.
- Ventilator for electric panel cooling.
- Terminals board. - Terminals for remote signals
- Pressure transducer - Cable glands.

### ON REQUEST:

- SRL 3 level control for probes against dry running
- Volt free contact module MSP 1M, control panel Q-MSP 9M.
- RA 100 control panel for remote alarm.

## QTL 1 VFT Control panel for 1 pump with **variable speed** three-phase motor



Code	Type	Motor 400V - 3~ kW	Max current output max A	Dimensions HxBxP mm
14046510000	<b>QTL 1 VFT 0,4</b>	0,4	1,5	500x350x200
14046520000	<b>QTL 1 VFT 0,75</b>	0,55 - 0,75	2,3	500x350x200
14046530000	<b>QTL 1 VFT 1,5</b>	1,1 - 1,5	4,1	500x350x200
14046540000	<b>QTL 1 VFT 2,2</b>	2,2	5,5	500x350x200
14046550000	<b>QTL 1 VFT 4</b>	3 - 4	9,5	500x350x200
14046560000	<b>QTL 1 VFT 5,5</b>	5,5	14,3	600x400x250
14046570000	<b>QTL 1 VFT 7,5</b>	7,5	17	600x400x250
14046580000	<b>QTL 1 VFT 11</b>	9,2 - 11	27,7	700x500x250
14046590000	<b>QTL 1 VFT 15</b>	15	33	700x500x250
14046600000	<b>QTL 1 VFT 18,5</b>	18,5	46,3	800x600x250
14046610000	<b>QTL 1 VFT 22</b>	22	61,5	800x600x250
14046620000	<b>QTL 1 VFT 30</b>	30	74,5	900x600x250
14046630000	<b>QTL 1 VFT 37</b>	37	88	1100x700x300
14046640000	<b>QTL 1 VFT 45</b>	45	106	1200x800x300
14046650000	<b>QTL 1 VFT 55</b>	55	145	1200x800x300
14046660000	<b>QTL 1 VFT 75</b>	75	173	1200x800x300

### Construction

Control panel with frequency converter for 1 pump with three-phase variable speed motor, for constant pressure booster sets.

Arranged for SRL 3 level control application for probes connection against dry-running.

Pump operation controlled by an electronic board type MPS 4000 with microprocessor.

### Technical data

- Mains 400V  $\pm 10\%$  50 Hz (other voltages on request).
- Ambient temperature from -5 °C to +40 °C.
- Protection IP 44.

### Components

- Metal case. - Door lock master switch.
- Fuses for power line. - Fuses for auxiliary circuit.
- EMC filter. - Frequency converter. - MPS 4000 electronic board.
- Interface for MPS 4000 electronic board.
- Ventilator for electric panel cooling.
- Terminals board. - Terminals for remote signals
- Pressure transducer - Cable glands.

### ON REQUEST:

- SRL 3 level control for probes against dry running
- Volt free contact module MSP 1M, control panel Q-MSP 9M.
- RA 100 control panel for remote alarm.



## QML 2 VFT Control panel for 2 pumps with variable speed three-phase motor



Code	Type	Motor 230V - 3~ kW	Max current output max A	Dimensions HxBxP mm
14059280000	<b>QML 2 VFT 0,45</b>	0,37 - 0,45	2,4x2	600x400x250
14048320000	<b>QML 2 VFT 0,75</b>	0,55 - 0,75	4,2x2	600x400x250
14047020000	<b>QML 2 VFT 1,5</b>	1,1 - 1,5	7,5x2	600x400x250
14059290000	<b>QML 2 VFT 2,2</b>	2,2	10x2	600x400x250

### Construction

Single-phase mains supply control panel with frequency converter for 2 pumps with three-phase 230V variable speed motor, for constant pressure booster sets.

Arranged for SRL 3 level control application for probes connection against dry-running.

Pump operation controlled by an electronic board type MPS 4000 with microprocessor alternating the starting order at each start.

### Components

- Metal case. - Door lock master switch.
- Fuses for power line. - Fuses for auxiliary circuit. - EMC filter.
- Frequency converter (1 for each pump).
- MPS 4000 electronic board.
- Interface for MPS 4000 electronic board.
- Ventilator for electric panel cooling.
- Terminals board. - Terminals for remote signals
- Pressure transducer - Cable glands.

### Technical data

- Mains single-phase 230V  $\pm 10\%$  50 Hz (other voltages on request).
- Ambient temperature from -5 °C to +40 °C.
- Protection IP 44.

### ON REQUEST:

- SRL 3 level control for probes against dry running
- Volt free contact module MSP 1M, control panel Q-MSP 9M..
- RA 100 control panel for remote alarm.

## QTL 2 VFT Control panel for 2 pumps with variable speed three-phase motor



Code	Type	Motor 400V - 3~ kW	Max current output max A	Dimensions HxBxP mm
14046670000	<b>QTL 2 VFT 0,45</b>	0,37 - 0,45	1,5x2	600x400x250
14046680000	<b>QTL 2 VFT 0,75</b>	0,55 - 0,75	2,3x2	600x400x250
14046690000	<b>QTL 2 VFT 1,5</b>	1,1 - 1,5	4,1x2	600x400x250
14046700000	<b>QTL 2 VFT 2,2</b>	2,2	5,5x2	600x400x250
14046710000	<b>QTL 2 VFT 4</b>	3 - 4	9,5x2	600x400x250
14046720000	<b>QTL 2 VFT 5,5</b>	5,5	14,3x2	700x500x250
14046730000	<b>QTL 2 VFT 7,5</b>	7,5	17x2	700x500x250
14046740000	<b>QTL 2 VFT 11</b>	9,2 - 11	27,7x2	900x600x250
14046750000	<b>QTL 2 VFT 15</b>	15	33x2	900x600x250
14046760000	<b>QTL 2 VFT 18,5</b>	18,5	46,3x2	1200x800x300
14046770000	<b>QTL 2 VFT 22</b>	22	61,5x2	1200x800x300
14046780000	<b>QTL 2 VFT 30</b>	30	74,5x2	1200x800x300
14046790000	<b>QTL 2 VFT 37</b>	37	88x2	1600x1000x400
14046800000	<b>QTL 2 VFT 45</b>	45	106x2	2100x1400x500
14046810000	<b>QTL 2 VFT 55</b>	55	145x2	2100x1400x500
14046820000	<b>QTL 2 VFT 75</b>	75	173x2	2100x1400x500

### Construction

Control panel with frequency converter for 2 pump with three-phase variable speed motor, for constant pressure booster sets.

Arranged for SRL 3 level control application for probes connection against dry-running.

Pump operation controlled by an electronic board type MPS 4000 with microprocessor.

### Components

- Metal case. - Door lock master switch.
- Fuses for power line. - Fuses for auxiliary circuit.
- EMC filter. - Frequency converter.
- MPS 4000 electronic board.
- Interface for MPS 4000 electronic board.
- Ventilator for electric panel cooling. - Pressure transducer
- Terminals board. - Terminals for remote signals - Cable glands.

### Technical data

- Mains 400V  $\pm 10\%$  50 Hz (other voltages on request).
- Ambient temperature from -5 °C to +40 °C.
- Protection IP 44.

### ON REQUEST:

- SRL 3 level control for probes against dry running
- Volt free contact module MSP 1M, control panel Q-MSP 9M.
- RA 100 control panel for remote alarm.

## QML 1.1 VFT Control panel for 1 variable speed pump and 1 fixed speed pump



Code	Type	Motor 230V - 3~	Max current output	Dimensions
		kW	max A	
14058910000	<b>QML 1.1 VFT 0,45 - D 0,45</b>	0,37 - 0,45	2,4	600x400x250
14047430000	<b>QML 1.1 VFT 0,75 - D 0,75</b>	0,55 - 0,75	4,2	600x400x250
14058510000	<b>QML 1.1 VFT 1,5 - D 1,5</b>	1,1 - 1,5	7,5	600x400x250
14050290000	<b>QML 1.1 VFT 2,2 - D 2,2</b>	2,2	10	600x400x250

### Construction

Single-phase mains supply control panel with frequency converter for 2 pumps, one with three-phase 230V variable speed motor and one with fixed speed single-phase motor, for constant pressure booster sets.

Arranged for SRL 3 level control application for probes connection against dry-running.

Pump operation controlled by an electronic board type MPS 4000 with microprocessor.

### Components

- Metal case. - Door lock master switch.
- Fuses for power line. - Fuses for auxiliary circuit.
- EMC filter. - Frequency converter.
- Starting contactors of the second pump. - Transformer.
- MPS 4000 electronic board.
- Interface for MPS 4000 electronic board.
- Ventilator for electric panel cooling. - Pressure transducer
- Terminals board. - Terminals for remote signals - Cable glands.

### Technical data

- Mains single-phase 230V  $\pm 10\%$  50 Hz (other voltages on request).
- Ambient temperature from -5 °C to +40 °C.
- Protection IP 44.

### ON REQUEST:

- SRL 3 level control for probes against dry running
- Volt free contact module MSP 1M, control panel Q-MSP 9M.
- RA 100 control panel for remote alarm.

## QTL 1.1 VFT Control panel for 1 variable speed pump and 1 fixed speed pump



Code	Type	Motor 400V - 3~ kW	Max current output		Dimensions
			(Variable) max A	(Fixed) max A	
14059300000	<b>QTL 1.1 VFT 0,45 - D 0,45</b>	0,37 - 0,45	1,5	1 - 1,6	600x400x250
14047460000	<b>QTL 1.1 VFT 0,75 - D 0,75</b>	0,55 - 0,75	2,3	1,6 - 2,5	600x400x250
14047230000	<b>QTL 1.1 VFT 1,5 - D 1,5</b>	1,1 - 1,5	4,1	2,5 - 4	600x400x250
14047130000	<b>QTL 1.1 VFT 2,2 - D 2,2</b>	2,2	5,5	4 - 6,5	600x400x250
14059840000	<b>QTL 1.1 VFT 4 - D 3</b>	3	9,5	4 - 6,5	600x400x250
14047160000	<b>QTL 1.1 VFT 4 - D 4</b>	4	9,5	6,3 - 10	600x400x250
14047120000	<b>QTL 1.1 VFT 5,5 - D 5,5</b>	5,5	14,3	9 - 14	700x500x250
14047030000	<b>QTL 1.1 VFT 7,5 - ST 7,5</b>	7,5	17	11 - 17	800x600x250
14048390000	<b>QTL 1.1 VFT 11 - ST 11</b>	9,2 - 11	27,7	16 - 24	800x600x250
14048210000	<b>QTL 1.1 VFT 15 - ST 15</b>	15	33	22 - 31	800x600x250
14048340000	<b>QTL 1.1 VFT 18,5 - ST 18,5</b>	18,5	46,3	30 - 39	900x600x250
14055630000	<b>QTL 1.1 VFT 22 - ST 22</b>	22	61,5	35 - 43	900x600x250
14059310000	<b>QTL 1.1 VFT 30 - ST 30B</b>	30	74,5	42 - 55	1000x800x250
14059320000	<b>QTL 1.1 VFT 30 - ST 30A</b>	30	74,5	55 - 65	1000x800x250
14059330000	<b>QTL 1.1 VFT 37 - ST 37</b>	37	88	61 - 84	1200x800x300
14059340000	<b>QTL 1.1 VFT 45 - ST 45</b>	45	106	80 - 105	1200x800x300
14059350000	<b>QTL 1.1 VFT 55 - ST 55</b>	55	145	100 - 125	1200x800x300
14059360000	<b>QTL 1.1 VFT 75 - ST 75</b>	75	173	120 - 160	1200x800x300

### Construction

Control panel with frequency converter for 2 pumps with three-phase motor, one with variable speed and one with fixed speed motor, for constant pressure booster sets.

Arranged for SRL 3 level control application for probes connection against dry-running.

Pump operation controlled by an electronic board type MPS 4000 with microprocessor.

### Components

- Metal case. - Door lock master switch. - Fuses for power line.
- Fuses for auxiliary circuit. - EMC filter. - Frequency converter.
- Starting contactors of the second pump. - Timer (Y/Δ) from 7,5 kW.
- Transformer. - MPS 4000 electronic card.
- Interface for MPS 4000 electronic board.
- Ventilator for electric panel cooling. - Pressure transducer
- Terminals board. - Terminals for remote signals - Cable glands.

### Technical data

- Mains 400V  $\pm 10\%$  50 Hz (other voltages on request).
- Ambient temperature from -5 °C to +40 °C.
- Protection IP 44.

### ON REQUEST:

- SRL 3 level control for probes against dry running
- Volt free contact module MSP 1M, control panel Q-MSP 9M.
- RA 100 control panel for remote alarm.

## QML 3 VFT Control panel for 3 variable speeds pump with three-phase motor



Code	Type	Motor 230V - 3~ kW	Max current output max A	Dimensions HxBxP mm
14059370000	<b>QML 3 VFT 0,45</b>	0,37 - 0,45	2,4x3	700x500x250
14059380000	<b>QML 3 VFT 0,75</b>	0,55 - 0,75	4,2x3	700x500x250
14059390000	<b>QML 3 VFT 1,5</b>	1,1 - 1,5	7,5x3	700x500x250
14056970000	<b>QML 3 VFT 2,2</b>	2,2	10x3	800x600x250

### Construction

Single-phase mains supply control panel with frequency converter for 3 pumps with three-phase 230V variable speed motor, for constant pressure booster sets.

Arranged for SRL 3 level control application for probes connection against dry-running.

Pump operation controlled by an electronic board type MPS 4000 with microprocessor alternating the starting order at each start.

### Components

- Metal case. - Door lock master switch.
- Fuses for power line. - Fuses for auxiliary circuit.
- EMC filter. - Frequency converter (1 for each pump).
- MPS 4000 electronic card.
- Interface for MPS 4000 electronic board.
- Ventilator for electric panel cooling.
- Terminals board. - Terminals for remote signals
- Pressure transducer - Cable glands.

### Technical data

- Mains single-phase 230V  $\pm 10\%$  50 Hz (other voltages on request).
- Ambient temperature from -5 °C to +40 °C.
- Protection IP 44.

### ON REQUEST:

- SRL 3 level control for probes against dry running
- Volt free contact module MSP 1M, control panel Q-MSP 13M.
- RA 100 control panel for remote alarm.

## QTL 3 VFT Control panel for 3 pumps with variable speed three-phase motor



Code	Type	Motor 400V - 3~ kW	Max current output max A	Dimensions HxBxP mm
14059400000	<b>QTL 3 VFT 0,45</b>	0,37 - 0,45	1,5x3	700x500x250
14048840000	<b>QTL 3 VFT 0,75</b>	0,55 - 0,75	2,3x3	700x500x250
14046930000	<b>QTL 3 VFT 1,5</b>	1,1 - 1,5	4,1x3	700x500x250
14047140000	<b>QTL 3 VFT 2,2</b>	2,2	5,5x3	800x600x250
14047040000	<b>QTL 3 VFT 4</b>	3 - 4	9,5x3	800x600x250
14048250000	<b>QTL 3 VFT 5,5</b>	5,5	14,3x3	800x600x250
14049760000	<b>QTL 3 VFT 7,5</b>	7,5	17x3	800x600x250
14047280000	<b>QTL 3 VFT 11</b>	9,2 - 11	27,7x3	1700x800x300
14050350000	<b>QTL 3 VFT 15</b>	15	33x3	1700x800x300
14054370000	<b>QTL 3 VFT 18,5</b>	18,5	46,3x3	1700x1000x400
14047150000	<b>QTL 3 VFT 22</b>	22	61,5x3	1700x1000x400
14047270000	<b>QTL 3 VFT 30</b>	30	74,5x3	1300x600x300n3
14052180000	<b>QTL 3 VFT 37</b>	37	88x3	1300x600x300n3
14059410000	<b>QTL 3 VFT 45</b>	45	106x3	1400x800x400n3
14059420000	<b>QTL 3 VFT 55</b>	55	145x3	A richiesta
14059430000	<b>QTL 3 VFT 75</b>	75	173x3	A richiesta

### Construction

Control panel with frequency converter for 3 pumps with variable speed three-phase motor, for constant pressure booster sets.

Arranged for SRL 3 level control application for probes connection against dry-running.

Pump operation controlled by an electronic board type MPS 4000 with microprocessor alternating the starting order at each start.

### Components

- Metal case. - Door lock master switch.
- Fuses for power line. - Fuses for auxiliary circuit.
- EMC filter. - Frequency converter (1 for each pump).
- MPS 4000 electronic card.
- Interface for MPS 4000 electronic board.
- Ventilator for electric panel cooling. - Pressure transducer
- Terminals board. - Terminals for remote signals - Cable glands.

### Technical data

- Mains 400V  $\pm 10\%$  50 Hz (other voltages on request).
- Ambient temperature from -5 °C to +40 °C.
- Protection IP 44.

### ON REQUEST:

- SRL 3 level control for probes against dry running
- Volt free contact module MSP 1M, control panel Q-MSP 13M.
- RA 100 control panel for remote alarm.

## QTL 1.2 VFT Control panel for 1 variable speed pump and 2 fixed speed pumps



Code	Type	Motor 400V - 3~ kW	Max current output		Dimensions HxBxP mm
			(Variable) max A	(Fixed) max A	
14059440000	QTL 1.2 VFT 0,45 - D 0,45	0,37 - 0,45	1,5	1 - 1,6	600x400x200
14059450000	QTL 1.2 VFT 0,75 - D 0,75	0,55 - 0,75	2,3	1,6 - 2,5	600x400x200
14047640000	QTL 1.2 VFT 1,5 - D 1,5	1,1 - 1,5	4,1	2,5 - 4	600x400x200
14048510000	QTL 1.2 VFT 2,2 - D 2,2	2,2	5,5	4 - 6,5	600x400x200
14059460000	QTL 1.2 VFT 4 - D 3	3	9,5	4 - 6,5	600x400x200
14048260000	QTL 1.2 VFT 4 - D 4	4	9,5	6,3 - 10	600x400x200
14047200000	QTL 1.2 VFT 5,5 - D 5,5	5,5	14,3	9 - 14	700x500x200
14051640000	QTL 1.2 VFT 7,5 - ST 7,5	7,5	17	11 - 17	800x600x250
14047300000	QTL 1.2 VFT 11 - ST 11	9,2 - 11	27,7	16 - 24	800x600x250
14059470000	QTL 1.2 VFT 15 - ST 15	15	33	22 - 31	800x600x250
14059480000	QTL 1.2 VFT 18,5 - ST18,5	18,5	46,3	30 - 39	1200x800x250
14048660000	QTL 1.2 VFT 22 - ST 22	22	61,5	35 - 43	1000x800x250
14059490000	QTL 1.2 VFT 30 - ST 30B	30	74,5	42 - 55	1000x800x250
14059500000	QTL 1.2 VFT 30 - ST 30A	30	74,5	55 - 65	1000x800x250
14059510000	QTL 1.2 VFT 37 - ST 37	37	88	61 - 84	1200x800x300
14059520000	QTL 1.2 VFT 45 - ST 45	45	106	80 - 105	
14059530000	QTL 1.2 VFT 55 - ST 55	55	145	100 - 125	
14059540000	QTL 1.2 VFT 75 - ST 75	75	173	120 - 160	

### Construction

Control panel with frequency converter for 3 pumps with three-phase motor: one with variable speed motor (with frequency converter) and 2 with fixed speed motor, for constant pressure booster sets. Arranged for SRL 3 level control application for probes connection against dry-running.

Pump operation controlled by an electronic board type MPS 4000 with microprocessor alternating the starting order at each start.

### Technical data

- Mains 400V  $\pm$ 10% 50 Hz (other voltages on request).
- Ambient temperature from -5 °C to +40 °C.
- Protection IP 44.

### Components

- Metal case. - Door lock master switch. - Fuses for power line.
- Fuses for auxiliary circuit. - EMC filter. - Frequency converter.
- Starting contactors of the second and third pump.
- Timer (Y/ $\Delta$ ) from 7,5 kW. - Transformer.
- MPS 4000 electronic board.
- Interface for MPS 4000 electronic board.
- Ventilator for electric panel cooling. - Pressure transducer
- Terminals board. - Terminals for remote signals - Cable glands.

### ON REQUEST:

- SRL 3 level control for probes against dry running
- Volt free contact module MSP 1M, control panel Q-MSP 13M.
- RA 100 control panel for remote alarm.

## QTL 4 VFT Control panel for 4 pumps with variable speed three-phase motor



Code	Type	Motor 400V - 3~ kW	Max current output max A	Dimensions HxBxP mm
14059560000	QTL 4 VFT 0,75	0,55 - 0,75	2,3x4	800x600x250
14059570000	QTL 4 VFT 1,5	1,1 - 1,5	4,1x4	800x600x250
14049710000	QTL 4 VFT 2,2	2,2	5,5x4	900x600x250
14047840000	QTL 4 VFT 4	3 - 4	9,5x4	900x600x250
14059580000	QTL 4 VFT 5,5	5,5	14,3x4	1200x800x300
14059590000	QTL 4 VFT 7,5	7,5	17x4	1200x800x300
14059600000	QTL 4 VFT 11	9,2 - 11	27,7x4	1400x800x400
14059610000	QTL 4 VFT 15	15	33x4	1400x800x400
14059620000	QTL 4 VFT 18,5	18,5	46,3x4	2000x1800x400
14053940000	QTL 4 VFT 22	22	61,5x4	2000x1800x400
14059630000	QTL 4 VFT 30	30	74,5x4	2000x1800x400
14059640000	QTL 4 VFT 37	37	88x4	2000x1800x400
14059650000	QTL 4 VFT 45	45	106x4	2000x1800x400
14059660000	QTL 4 VFT 55	55	145x4	2000x1800x400
14059670000	QTL 4 VFT 75	75	173x4	2000x1800x400

### Construction

Control panel with frequency converter for 4 pumps with variable speed three-phase motor, for constant pressure booster sets. Arranged for SRL 3 level control application for probes connection against dry-running.

Pump operation controlled by an electronic board type MPS 4000 with microprocessor alternating the starting order at each start.

### Technical data

- Mains 400V  $\pm$ 10% 50 Hz (other voltages on request).
- Ambient temperature from -5 °C to +40 °C.
- Protection IP 44.

### Components

- Metal case. - Door lock master switch.
- Fuses for power line. - Fuses for auxiliary circuit.
- EMC filter. - Frequency converter (1 for each pump).
- MPS 4000 electronic board.
- Interface for MPS 4000 electronic board.
- Ventilator for electric panel cooling. - Pressure transducer
- Terminals board. - Terminals for remote signals - Cable glands.

### ON REQUEST:

- SRL 3 level control for probes against dry running
- Volt free contact module MSP 1M, control panel Q-MSP 13M.
- RA 100 control panel for remote alarm.

## QTL 1.3 VFT Control panel for 1 variable speed pump and 3 fixed speed pumps



Code	Type	Motor 400V - 3~ kW	Max current output		Dimensions <i>HxBxP mm</i>
			(Variable) max A	(Fixed) max A	
14059680000	QTL 1.3 VFT 0,45 - D 0,45	0,37 - 0,45	1,5	1 - 1,6	700x500x250
14057180000	QTL 1.3 VFT 0,75 - D 0,75	0,55 - 0,75	2,3	1,6 - 2,5	700x500x250
14059690000	QTL 1.3 VFT 1,5 - D 1,5	1,1 - 1,5	4,1	2,5 - 4	700x500x250
14059700000	QTL 1.3 VFT 2,2 - D 2,2	2,2	5,5	4 - 6,5	700x500x250
14059710000	QTL 1.3 VFT 4 - D 3	3	9,5	4 - 6,5	700x500x250
14059720000	QTL 1.3 VFT 4 - D 4	4	9,5	6,3 - 10	700x500x250
14059730000	QTL 1.3 VFT 5,5 - D 5,5	5,5	14,3	9 - 14	700x500x250
14059740000	QTL 1.3 VFT 7,5 - ST 7,5	7,5	17	11 - 17	1100x700x250
14046890000	QTL 1.3 VFT 11 - ST 11	9,2 - 11	27,7	16 - 24	1100x700x250
14059750000	QTL 1.3 VFT 15 - ST 15	15	33	22 - 31	1100x700x250
14059760000	QTL 1.3 VFT 18,5 - ST 18,5	18,5	46,3	30 - 39	1200x800x300
14059770000	QTL 1.3 VFT 22 - ST 22	22	61,5	35 - 43	1200x800x300
14059780000	QTL 1.3 VFT 30 - ST 30B	30	74,5	42 - 55	1200x800x300
14059790000	QTL 1.3 VFT 30 - ST 30A	30	74,5	55 - 65	1200x800x300
14059800000	QTL 1.3 VFT 37 - ST 37	37	88	61 - 84	1600x800x400
14059810000	QTL 1.3 VFT 45 - ST 45	45	106	80 - 105	1700x800x400
14059820000	QTL 1.3 VFT 55 - ST 55	55	145	100 - 125	
14059830000	QTL 1.3 VFT 75 - ST 75	75	173	120 - 160	

### Construction

Control panel with frequency converter for 4 pumps with three-phase motor: one with variable speed motor (with frequency converter) and 3 with fixed speed motor, for constant pressure booster sets.

Arranged for SRL 3 level control application for probes connection against dry-running.

Pump operation controlled by an electronic board type MPS 4000 with microprocessor alternating the starting order at each start.

### Technical data

- Mains 400V  $\pm 10\%$  50 Hz (other voltages on request).
- Ambient temperature from -5 °C to +40 °C.
- Protection IP 44.

### Components

- Metal case.
- Door lock master switch.
- Fuses for power line.
- Fuses for auxiliary circuit.
- EMC filter.
- Frequency converter.
- Starting contactors of the second, third and fourth pump.
- Timer (Y/ $\Delta$ ) from 7,5 kW.
- Transformer.
- MPS 4000 electronic board.
- Interface for MPS 4000 electronic board.
- Ventilator for electric panel cooling.
- Pressure transducer
- Terminals board.
- Terminals for remote signals
- Cable glands.

### ON REQUEST:

- SRL 3 level control for probes against dry running
- Volt free contact module MSP 1M, control panel Q-MSP 13M.
- RA 100 control panel for remote alarm.

## RA Control panel for remote alarm

RA 100A

RA 100



Code	Type	Dimensions
		<i>HxBxP mm</i>
14027900000	RA 100	160x120x75
14042960000	RA 100A	250x200x180

### Construction

RA 100 Control panel for remote alarm.

RA 100A Self powered control panel for remote alarm.

### Technical data

- Mains single-phase 220-230 V.
- Ambient temperature from -5 °C to +40 °C.
- Protection IP 44.

### Components

- Thermoplastic case.
- Transformer card with terminals.
- Buttons card with led.
- Flashing light.
- Buzzer.
- Cable glands.
- Charger (only for RA 100A).
- Battery (only for RA 100A).

## Q-MSP Volt free contact box



Code	Type	Dimensions
		<i>HxBxP mm</i>
14045600000	Q-MSP 9M	160x120x75
14045960000	Q-MSP 13M	160x120x75

### Construction

A module featuring a free contact (0,1A - 50V), to be connected to an alarm signal system.

### Technical data

- Ambient temperature from -5 °C to +40 °C.
- Protection IP 44.

## ELECTRONIC PROTECTION DEVICE FOR PUMP



### Construction

Electronic device for pumps protection, the device stops the pump in case of dry running and motor overcurrent.

#### Electrical connection

- To pump motor cable (Schuko plug built-in)
- To electric line socket (Schuko plug built-in)

### Applications

For protection of the pump:

- The device protect the pump:**
- against dry running;
  - against overcurrent.

### Operating conditions

Maximum ambient temperature max 55 °C.

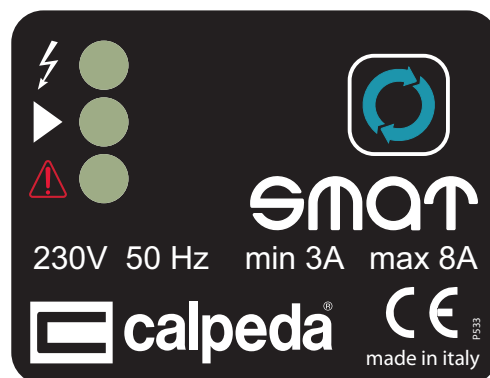
Single-phase mains voltage: 230 V ±10%.

Frequency: 50 - 60 Hz.

Protection IP 65.

Pump motor current Minimum 3 A - Maximum 8 A.

## Control Panel



## Operation



Green Led on = Device energised



Yellow Led on = Pump running



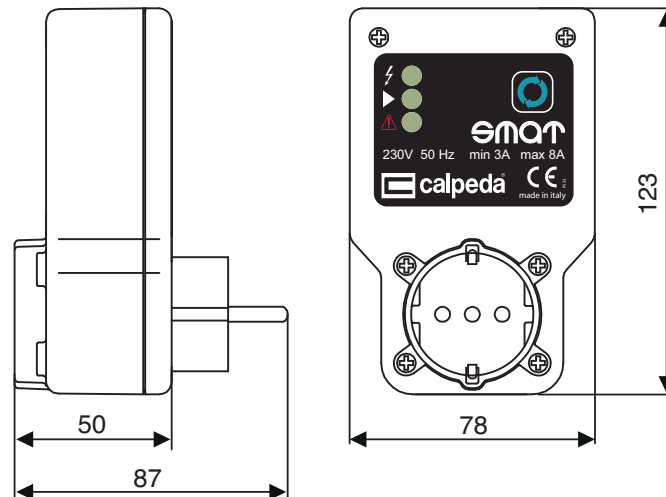
Blinking red Led = Water shortage  
Red Led on = Power surge



RESTART button = - Acquisition motor data  
- Reset after fault

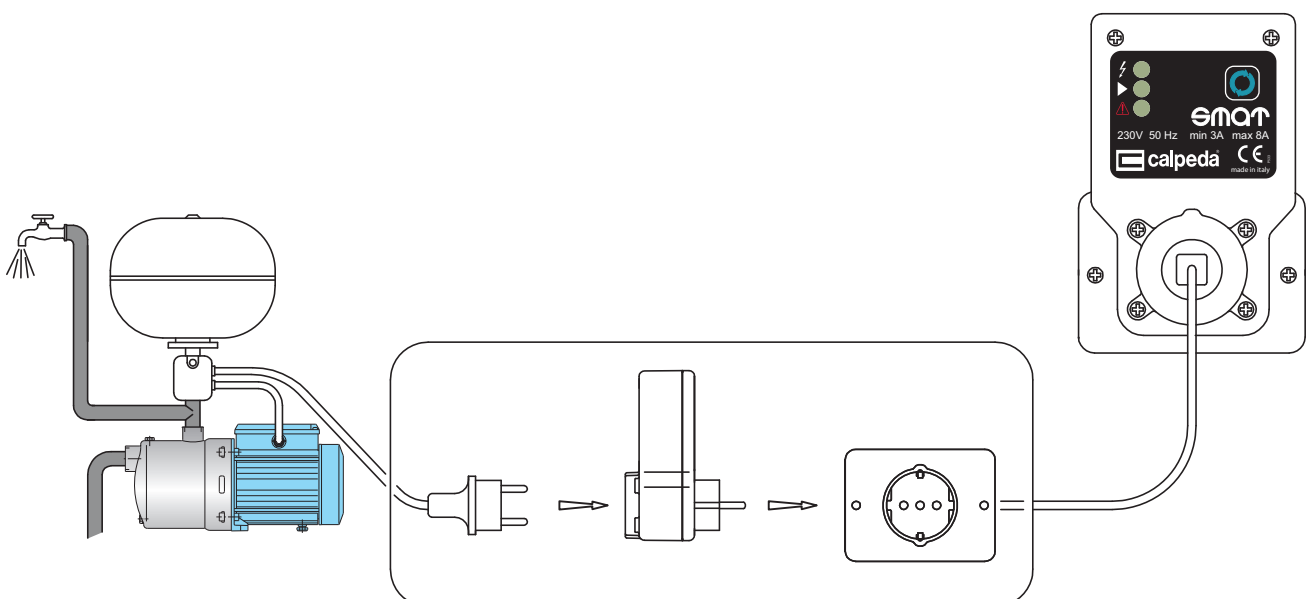
## ELECTRONIC PROTECTION DEVICE FOR PUMP

### Dimensions and weights



### Example of installation

In order to operate, the electrical power supply of the pump must be connected to the mains.  
 For this reason the power supply plug of the pump must be inserted in the socket of the device which is in turn connected to the power point (see Figure).  
 In case of a water shortage on suction, the device will stop the pump and protect it against dry running.  
 This malfunctioning is indicated with the red "Failure" Led lit up.  
 In case of the current absorption exceeding 8 amperes, the device will stop the pump motor and protect it against over-current.  
 This malfunctioning is indicated with the red "Failure" Led lit up.  
 To restore normal operation to the device and the system simply press the red "Restart" button.  
 In case of a blackout, it will automatically rearm again several seconds after the electricity returns.



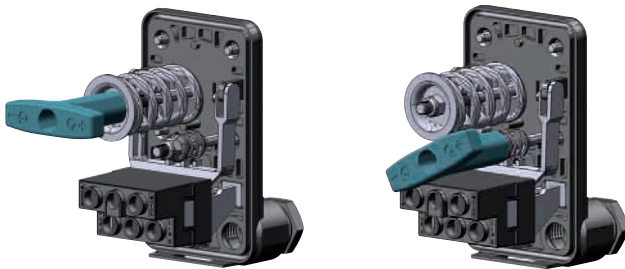
## PRESSURE SWITCHES FOR WATER SYSTEM APPLICATIONS



### Construction

- Pressure switches for use with water in autoclave systems
- The switch ensures automatically the starting and stopping of the electric pump according to the set pressure values
- Electric contacts: normally closed and made of brass alloy with Ag-Ni surfacing
- Terminals with M4 screws and 8x8 mm pressure dice
- NBR rubber membrane with textile insert (food grade for PMAT 5M-10, PMAT 5M/T-16, PMAT 5.5M/T-16)
- 1/4" F hydraulic connection made of galvanized steel
- Standard protection degree IP 44
- Liquid temperature up to 55 °C
- Max ambient temperature: 55°C
- Tear resistant cable clamps

### Adjustment key included



### Technical data

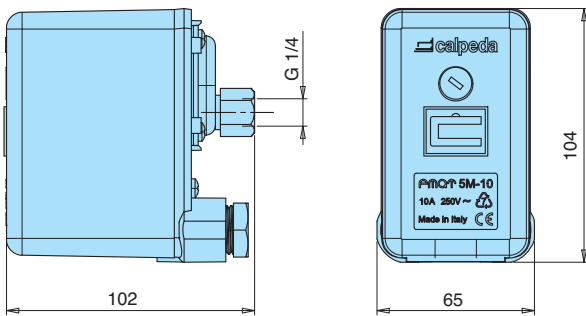
2-pins	max A	Pressure range bar	Differential		Factory setting bar
			min bar	max bar	
PMAT 5M-10	10	1 - 5	0,6	2,3	1,4 - 2,8

Maximum rated voltage 250V

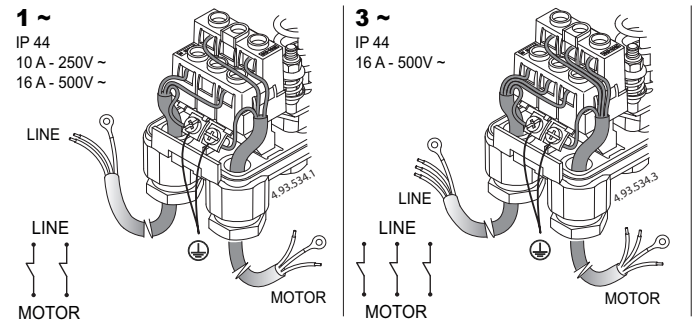
2-pins	max A	Pressure range bar	Differential		Factory setting bar
			min bar	max bar	
PMAT 5M/T-16	16	1 - 5	0,6	2,3	1,4 - 2,8
PMAT 5,5M/T-16	16	1,5 - 5,5	0,8	2,2	1,8 - 3
PMAT 12M/T-16	16	3 - 12	1,5	5	5 - 7

Maximum rated voltage 500V

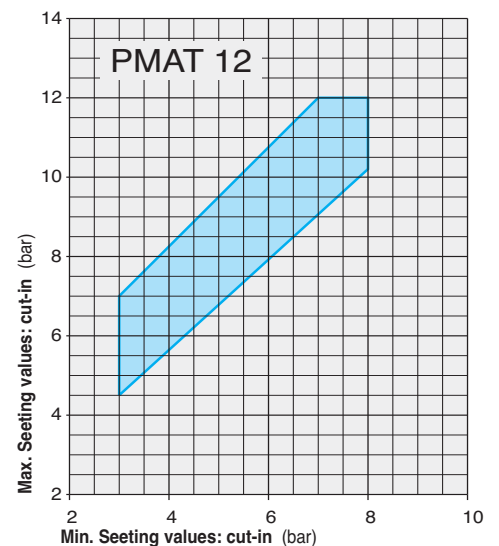
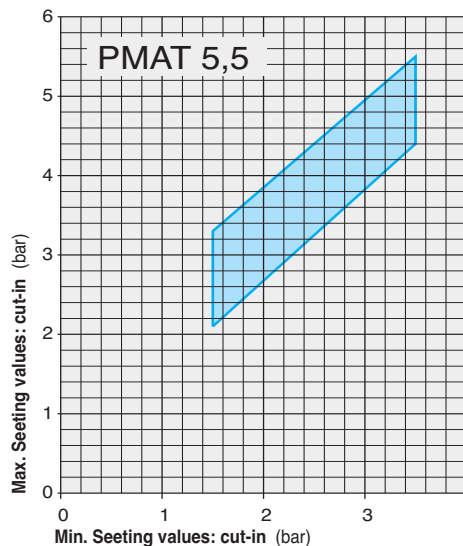
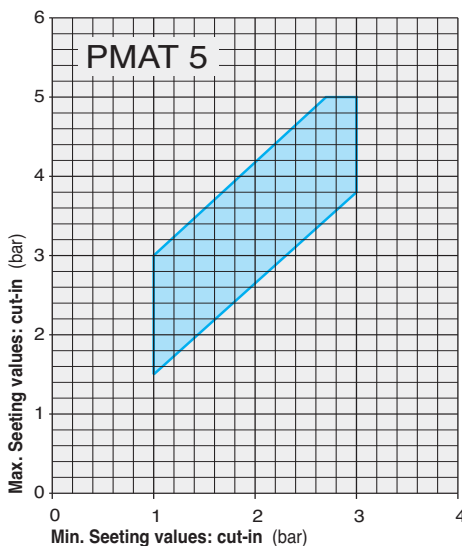
### Dimensions



### Connection diagram



### Diagram setting





## AUTOMATIC AIR FEEDER



### ARIAMAT

#### type

AR 300E

AR 1000E

AR 2000E

Complete with connections and 1 m polyethylene pipe

### Materials

Component	Material
Upper elbow	Brass
Air valve	Brass
Feeder body	Polycarbonate
Ball valve	Rubber
Conical fittings	Polyethylene
Pipe	Polyethylene

### Construction

The automatic air feeder ARIAMAT controls the air cushion in the pressure vessel by replacing the air dissolved in the water at every pump start. This device limits the number of pump starts and stops, allows a better use of the water reserve and improves the overall performance of the automatic pressure system.

### Operation

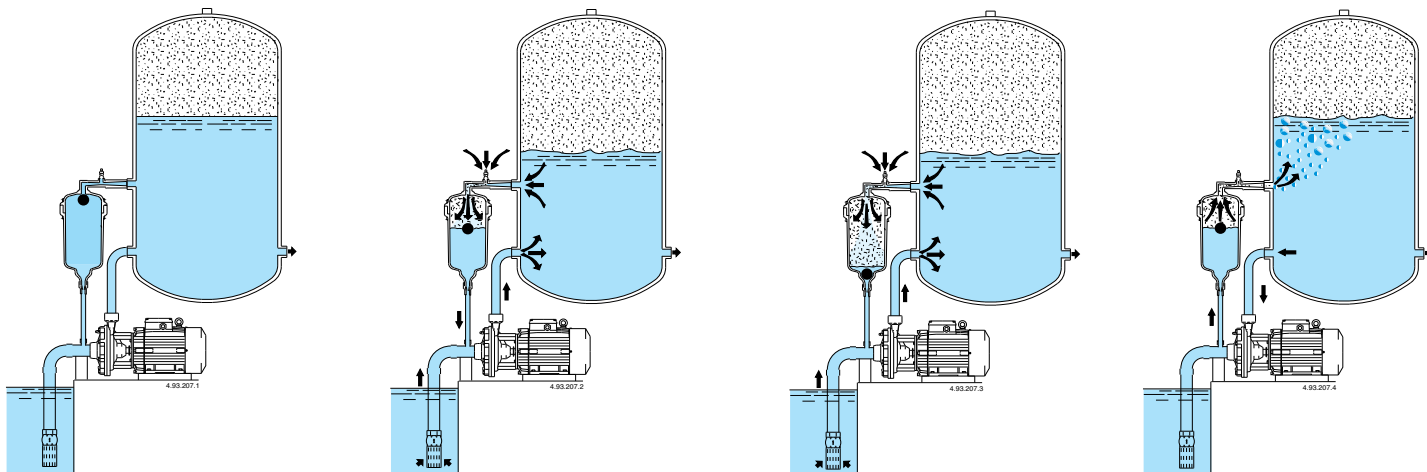
ARIAMAT operation is explained in pictures 1-2-3-4. At the end of every cycle, ARIAMAT AR 300E, AR 1000E and AR 2000E let in the vessel 300, 1000 and 2000 cm<sup>3</sup> of air respectively. For a good operation of ARIAMAT it is necessary to have enough suction pressure in the pipe whilst the pumps are running. If the pumps work under positive suction head and water falls to the suction inlet, there will not be enough suction pressure in the suction pipe to allow a correct operation of ARIAMAT; in this case, it is necessary to create an artificial loss in the suction pipe, by closing gradually the gate valve when the pump is running until the water level in the ARIAMAT starts dropping. When a sufficient suction pressure to grant a safe ARIAMAT operation cannot be achieved, it is recommended to feed the vessel with a compressed air system and level probes.

### Description of the supply

The ARIAMAT is normally fitted on our automatic water systems. The supply of ARIAMAT, as a spare part to be installed by the customer, includes:

- n° 1 ARIAMAT assembled with upper elbow and air valve;
- m 1 Polyethylene tube with ring nut and fitting for connection to the pump suction side.

Pressure in m	Pressure vessel capacity in litres											
	100	200	300	400	500	750	1000	1500	2000	3000	4000	5000
14/28	AR 300E						AR 1000E					AR 2000E
20/30	AR 300E				AR 1000E							AR 2000E
30/40	AR 300E			AR 1000E						AR 2000E		
35/55	AR 300E			AR 1000E						AR 2000E		
55/70	AR 300E		AR 1000E						AR 2000E			
75/95	AR 300E	AR 1000E				The use of an air compressor is recommended.						



- 1) When the pump is stopped, ARIAMAT is full of water.
- 2) When starting, the pumps creates a suction pressure which also takes the water from ARIAMAT, allowing some more water to come from the vessel. The water through the ARIAMAT venturi sucks air from the upper valve.
- 3) The water level in the ARIAMAT drops until the ball valve moves to the bottom of the ARIAMAT closing the hole of the pipe connected to the pump. Air is now full of water.
- 4) When stopping, there is a back-flow of water from the vessel through the pump, to the ARIAMAT. Air is pushed inside the vessel.

# ACCESSORIES



## VALVES



<b>check valve</b>	
VNR 1	
VNR 1 1/4	
VNR 1 1/2	
VNR 2	
<b>foot valve</b>	
VDF 1	
VDF 1 1/4	
VDF 1 1/2	
VDF 2	

## PRESSURE GAUGES



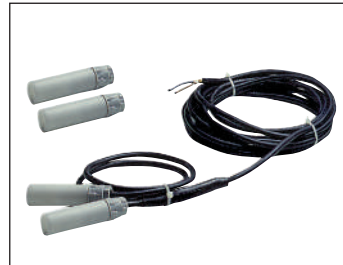
<b>axial connection type</b>	
MA 0-6	
MA 0-6 ABS	
<b>radial connection type</b>	
MR 0-10	
MR 0-12	
MR 0-16	

## CONNECTOR



type	connection
RA5 H 92	G 1
RA5 H 105	G 1

## LEVEL PROBES



<b>type</b>	
SL	2 electrodes
SLA	Assembled level probes
Cable	2x0,75 mm <sup>2</sup>
	(cable length on request)

example: **SLA 30**  
 Assembled level probes   
 30 m cable length

## SPHERICAL VESSEL



type	connect.	capacity
SS 24	G 1	24 l

BUTYL rubber diaphragm.

## CYLINDRICAL VESSEL



<b>vessel with base and feet</b>		
type	connect.	capacity
SC 20 BP	G 1	20 l

BUTYL rubber diaphragm.

## INOX CYLINDRICAL VESSEL



<b>vertical cylindrical vessel</b>		
type	connect.	capacity
SCX 20	G 1	20 l

BUTYL rubber diaphragm.

## INOX CYLINDRICAL VESSEL



<b>vessel with base and feet</b>		
type	connect.	capacity
SCX 20 BP	G 1	20 l

BUTYL rubber diaphragm.

# ACCESSORIES

## CE 97/23 PED APPROVED PRESSURE VESSELS (Air tanks)

Hot galvanized vessels	TYPE	Dimensions	DN	weight
		D x H mm		
	100-5	400 x 1020	G 1	32
	200-5	450 x 1440	G 1	48
	300-8	550 x 1500	G 1 1/2	65
	500-8	650 x 1820	G 2	105
	500-12	600 x 2000	G 2	120
	800-8	800 x 1900	G 2	145
	1000-8	800 x 2150	G 2 1/2	160
	1000-12 ▲	800 x 2300	G 2 1/2	203
	1500-5	950 x 2500	G 2	190
	1500-8 ▲	950 x 2500	G 2	255
	2000-8 ▲	1100 x 2570	G 2 1/2	330
	2000-12 ▲	1000 x 2780	G 2 1/2	387
	3000-8 ▲	1250 x 2930	G 3	470
	3000-12 ▲	1200 x 2930	G 3	596
	4000-8 ▲	1450 x 3090	G 3	620
	4000-12 ▲	1450 x 3090	G 3	880
	5000-8 ▲	1450 x 3590	G 4	715
	5000-12 ▲	1450 x 3590	G 4	1020

The vessels are suitable for water up to 50 °C  
They are all approved at manufacturer's premises and are supplied complete with safety valve, tested pressure gauge and fittings.

## CE 97/23 PED APPROVED MEMBRANE VESSELS (Membrane vessels)

	TYPE	Pressure	Dimensions	DN	weight
		bar	D x H mm		
	SM 60 V	10	382 x 845	G 1	-
	SM 80 V	10	450 x 850	G 1	-
	SM 100 V	10	450 x 950	G 1	-
	SM 200 V	10	550 x 1255	G 1 1/2	-
	SM 300 V	10	630 x 1405	G 1 1/2	-
	SM 500 V	10	780 x 1550	G 1 1/2	-
	SM 750 V	10	780 x 1940	G 1 1/2	-
	SM 1000 V	10	980 x 1970	G 2	-

EPDM diaphragm  
Temperature -10 ÷ +100 °C  
With safety valve and pressure gauge 0÷10 bar

### FLOAT SWITCH



type  
**INTGALL**  
(cable 3 m, 5 m, 10 m)

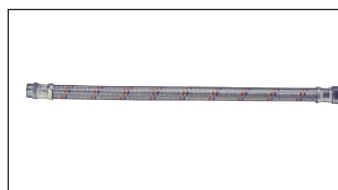


type  
**INTGALL M**  
(cable 5 m, 10 m, 20 m)



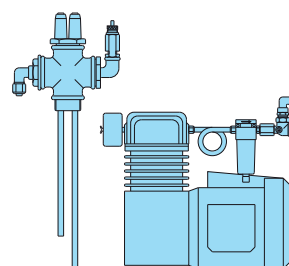
type  
**INTGALL A**  
(cable 5 m, 10 m)

### FLEXIBLE HOSE



type	d x length
FP 1-630	G 1 x 630
FP 1-680	G 1 x 680

### SYSTEM FOR AIR INTAKE



Kit of level probes  
with compressor

# Technical appendix



## How to select a centrifugal pump

The selection of a centrifugal pump should be made according to the actual characteristics and conditions of the plant.

The required data for a correct selection are the following:

### Flow Q

Quantity of fluid delivered by the pump in the unit of time, generally expressed in m<sup>3</sup>/h.

### Total manometric head Hmt

It is considered as the sum between the geometric head existing between the fluid levels and the head loss due to frictions from the fluid passage in the pipework, into the pump and relevant hydraulic accessories.

The expression is the following:

$$H_{mt} = H_g + \Delta p_c \text{ mt fluid column}$$

**H<sub>g</sub>** = geometric head inlet (H<sub>ga</sub>) + geometric head outlet (H<sub>gp</sub>)

**Δp<sub>c</sub>** = sum of head loss of the plant calculated from the following data:

- Diameter, length and material of the suction and delivery piping (see table no. 1 page 635).
- Number and type of elbows in the piping and hydraulic accessories such as foot valves, gate valves, non-return valves and strainers etc. (see table no. 2 page 635).
- Type, temperature, viscosity and density of the fluid (if different from that of water)

Pay attention to the manometric suction lift **H<sub>ga</sub> + Δp<sub>c</sub> asp**, which should be compared with the suction capability of the pump.

This suction capability or **NPSH<sub>r</sub>** is defined as net positive suction head and its value is obtained from a curve in accordance with the flow.

For this purpose, once the pump has been selected according to the required flow and head, where possible at the middle of the curve, check the following simplified formula:

$$10 \text{ mt} \pm H_{ga} - \Delta p_c \text{ asp} > \text{NPSH required} + 0.5 \text{ mt}$$

**H<sub>ga</sub>** is the difference in height between the free surface of the water, and its value is negative if the pump is installed above the free water surface.

**Δp<sub>c</sub> asp** is the sum of the remaining distributed (piping) and concentrate (valves, bends, etc.) suction head loss

If the final result is negative, it is often possible to adjust flow via a gate valve on the delivery side, in order to restore correct pump operating conditions, without cavitation.

For fluid temperatures higher than the average of about 20°C, the pumps lose their suction capability.

Such changes, referred to pumps with suction capability of 7 meter at normal temperature, are shown on table no. 3 page 636.

## CHARACTERISTIC DATA OF THE PUMPS

Once the flow (Q) and total manometric head of the installation (Hmt) are established, the pump absorbed power **N** should be calculated through the following formula:

$$N = \frac{Q \times H \times \gamma}{367 \times \eta_p} \text{ in kW}$$

where:

Q = Flow in m<sup>3</sup>/h

H = Head in mt

γ = Fluid density (water = 1 kg/dm<sup>3</sup>)

η<sub>p</sub> = Pump efficiency (Ex. Pump efficiency 68% = ⇒ η<sub>p</sub> = 0.68)

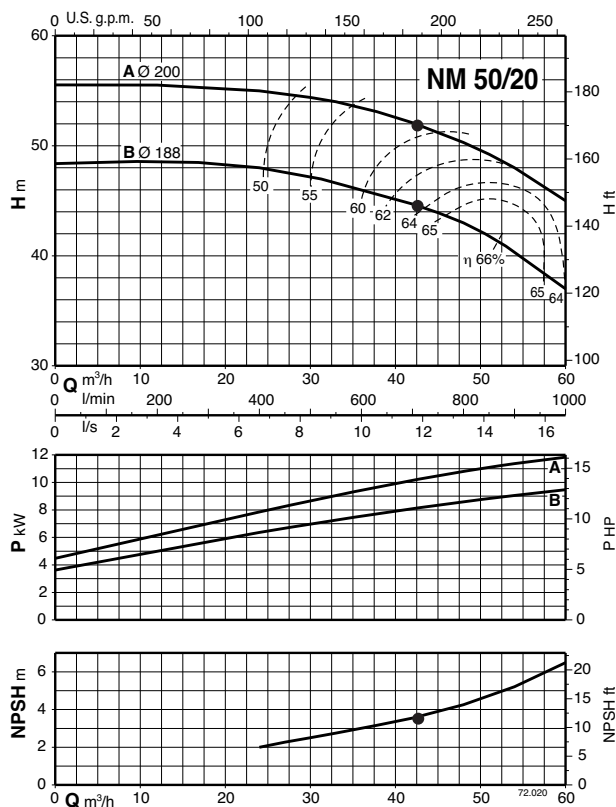
The pumps are normally connected to electric motors, which operate at 2900 rpm with 2-pole motors at 50Hz, or at 1450 rpm with 4-pole motors at 50Hz. However, they can run at any other speed within the limits of design.

Therefore, when changing the number of revolutions, the pump performance will change according to the following rules:

The flow in proportion to the number of revolutions:  $Q_2 = Q_1 \times \frac{n_2}{n_1}$

The head, in proportion to the square of the number of revolutions:  $H_2 = H_1 \times \left(\frac{n_2}{n_1}\right)^2$

The absorbed power, in proportion to the cube of the number of revolutions:  $N_2 = N_1 \times \left(\frac{n_2}{n_1}\right)^3$



# How to select a centrifugal pump

## Calculation example for the selection of a centrifugal pump

### Case A Installation data

- Q (Flow) = 42 m<sup>3</sup>/h
- H<sub>ga</sub> (geometric head inlet) = 3,5 m
- H<sub>gp</sub> (geometric head outlet) = 39 m
- 5 m DN 100 mm diameter suction pipe complete with 1 elbow and 1 foot valve
- 70 m DN 80 mm diameter delivery pipe with 1 non-return valve, 1 gate valve and 3 sweep elbows

**H<sub>g</sub>** = H<sub>gp</sub> + H<sub>ga</sub> = 39 + 3,5 = 42,5 m Geometric head of the installation

**Δpc** = total head loss

Suction side:

5 m Ø100 piping	pc = 0,12 m
1 Elbows	pc = 0,045 m
1 Foot valve	pc = 0,46 m

Delivery side:

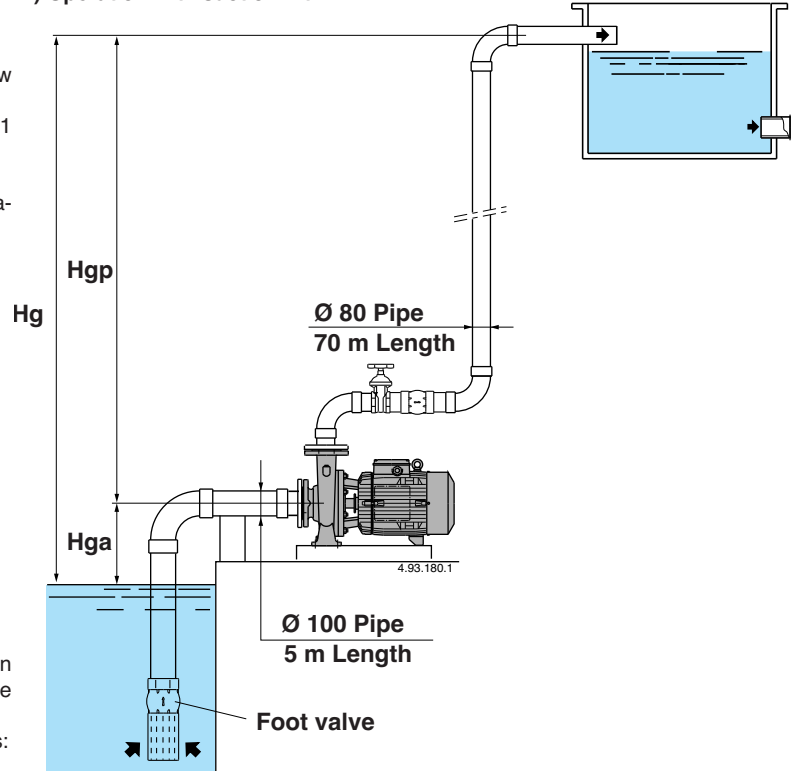
70 m Ø 80 pipe	pc = 5,25 m
1 Non-return valve	pc = 0,5 m
1 Gate valve	pc = 0,05 m
3 Elbows	pc = 0,09 m

**Total Δpc = 6,5 m.**

Considering that the calculation has been made for new pipes, an increase of 15/20% is to be applied for ageing etc. Therefore the total head loss Δp amounts to about 8 m. Therefore, the total manometric head which the pump must achieve is:

H<sub>mt</sub> = H<sub>g</sub> + Δp = H<sub>gp</sub> + H<sub>ga</sub> + Δpc = 39 + 3,5 + 8 = 50,5 m total.  
The pump type NM 50/20AE can be chosen (see pump diagram)

A) Operation with suction lift



### Case B Installation data

- Q (Flow) = 42 m<sup>3</sup>/h
- H<sub>ga</sub> (geometric head inlet) = 3,5 m
- H<sub>gp</sub> (geometric head outlet) = 39 m
- 5 m DN 100 mm diameter suction pipe complete with 1 gate valve and 1 foot valve
- 70 m DN 80 mm diameter delivery pipe with 1 non-return valve, 1 gate valve and 3 sweep elbows

**H<sub>g</sub>** = H<sub>gp</sub> - H<sub>ga</sub> = 39 - 3,5 = 35,5 m Geometric head of the installation

**Δpc** = total head loss

Suction side:

5 m Ø 100 piping	pc = 0,12 m
1 Non-return valve	pc = 0,5 m
1 Gate valve	pc = 0,05 m

Delivery side:

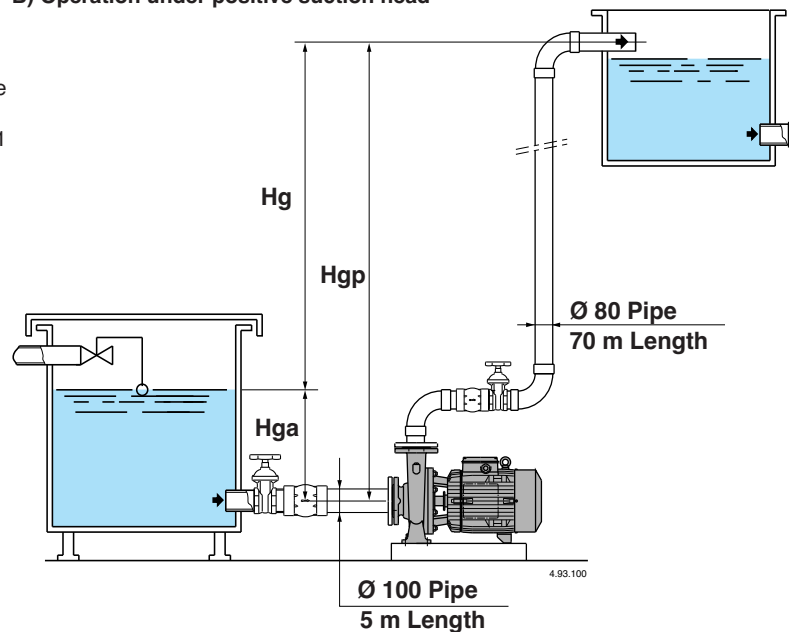
70 m Ø 80 pipe	pc = 5,25 m
1 Non-return valve	pc = 0,5 m
1 Gate valve	pc = 0,05 m
3 Elbows	pc = 0,09 m

**Total Δpc = 6,5 m**

Considering that the calculation has been made for new pipes, an increase of 15/20% is to be applied for ageing etc. Therefore the total head loss Δpc amount to about 8 m. Therefore, the total manometric head which the pump must achieve is:

H<sub>mt</sub> = H<sub>g</sub> + Δp = H<sub>gp</sub> - H<sub>ga</sub> + Δpc = 39 - 3,5 + 8 = 43,5 m total.  
The pump type NM 50/20BE can be chosen (see pump diagram)

B) Operation under positive suction head



### ACCESSORIES FOR WATER SUPPLY

**Foot valve with strainer** - Sealing member installed on the lower end of the suction pipe. It prevents the water coming out from the piping and pump at every plant stop. It must be always immersed in the fluid at an installation depth which allows a perfect operation without cavitation.

It is a good rule to also install a float switch to automatically stop the pump when the water goes below a fixed level.

**Non-return valve** - It must be installed on the pump delivery port to avoid reflux in case of a sudden stop of the plant. It is recommended using a type fitted with an inner return spring and with ogive shutter, as this will help to diminish water hammering.

**Gate valve** - The installation of a gate valve is very important. In addition to allowing the pump to be disassembled without emptying the plant, it is used to start the plant and to adjust the flow.

### PIPING

The piping must be selected in-line with the water velocity which is recommended to be 1.5 meter per second on the suction side and 3 meter per second on the delivery side. The calculation of the suction piping must be carefully checked so as to avoid the maximum head loss and allow the pumps maximum suction capability. The piping must be perfectly tight and have no counterslopes towards the pump port, so to avoid the development or entrapment of air bubbles or pockets.

All the piping must be secured to rests, so that they will not weigh on the pump ports.

### Problems at the pump

Faults	Possible causes
<b>Jammed pump</b>	This may happen after periods of inactivity due to inner oxidation. To release smaller sized monobloc electropumps use a screwdriver at the notch on the back part of the shaft. For the larger sizes, turn on the shaft or the flexible coupling
<b>Pumps which do not prime</b>	Pump and/or suction pipe with air entrapped. Uncomplete priming or totally unprimed. Possible air entering from taps, drain or fill plugs, joints or stuffing box Foot valve not fully immersed in the fluid or obstructed by deposits. Suction lift too high compared with the capability of the pump. Wrong direction of rotation Wrong number of revolutions
<b>Insufficient flow</b>	Piping and accessories of too small a diameter which cause too high head loss. Jammed impeller with presence of debris in the vanes. Corroded or broken impeller Impeller wear rings and/or pump casing worn by abrasion. Gas presence in the water, or too high fluid viscosity in case of fluids different from water.
<b>Noise and vibrations in the pump</b>	Unbalanced rotary part or worn ball bearings. Pump and piping not properly secured. Too low flow rate for the selected pump Operation with cavitation
<b>Overloaded motor</b>	Pump characteristics higher than those of the plant Fixed and rotary parts in contact tending to seize owing to a lack of lubrication Too high rotation speed Wrong mains supply Poor unit allignement Fluid with too higher density than the design

## Choosing a pressure-boosting set

### Required quantity of water

The public water-supply system is normally capable of supplying water at an adequate pressure and capacity level to the various outlets connected to it. In those cases where a water-supply system is non-existent or insufficient for correct operation of the various facilities, a pressure-boosting system has to be installed to ensure an acceptable level of pressure and capacity also at the outlets in the most unfavourable positions. The size of the water-supply unit is determined according to the quantity of water and pressure required.

### Residential buildings

The main data needed for calculation of the quantity of water required is given in the following list:

- the number of outlets
- consumption per each type of outlet (Tab.1)
- the contemporaneity factor (Fc)

**Table 1: Maximum consumption at points of demand**

Outlet	Qu. delivered (l/min)
Sink	10
Wash-basin	10
Bath/whirlpool tub	18
Shower	12
WC - flush-tank type	7
WC - fast-feed type	90
Bidet	6
Washing machine	12
Kitchen sink	12
Dishwasher	8
Outlet w/ 1/2" tap	20
Outlet w/ 3/4" tap	25

The maximum theoretical requirement is given by the sum of the quantities of water delivered to the various outlets of an apartment multiplied by the number of apartments. In practice, it is generally found that only some of the outlets are used simultaneously.

The contemporaneity factor (Fc) allows for definition of the real maximum delivery that may be required by the outlets.

The following formulae are used to calculate the Fc factor. The value "Ut" is the total number of outlets (the number of outlets in an apartment multiplied by the number of apartments).

$$\text{Apartments with 1 toilet - flush-type tank: } Fc = \frac{1}{\sqrt{0,85 \times Ut}}$$

$$\text{Apartments with 1 toilet - fast-feed type: } Fc = \frac{1}{\sqrt{0,7 \times Ut}}$$

$$\text{Apartments with 2 toilets - flush-type tank: } Fc = \frac{1}{\sqrt{1,1 \times Ut}}$$

$$\text{Apartments with 2 toilets - fast-feed type: } Fc = \frac{1}{\sqrt{0,83 \times Ut}}$$

Diagram **A** gives the values of actual delivery, which depend on the number of apartments connected to the water-supply system. Seven outlets are hypothesized for one-bathroom apartments and ten outlets for two-bathroom apartments.

### Non-residential buildings

For calculation of quantities of water required, the following types of building are considered:

- offices
- shopping centres
- hospitals
- hotels

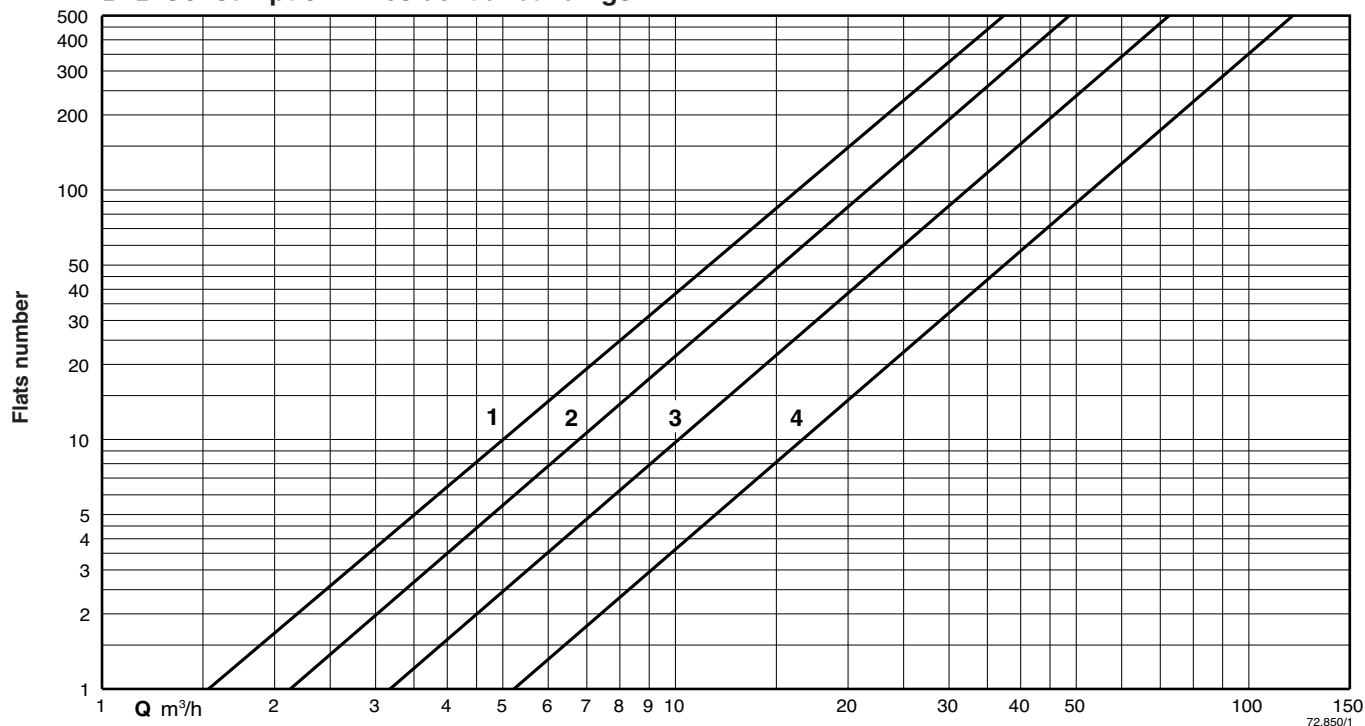
These buildings require quantities of water greater than those needed in residential buildings.

Diagram **B** shows the values of actual delivery for the main types of building. The values are based on hypothetical numbers of persons present in these buildings.

These values offer a guideline and may vary in accordance with particular requirements of projects.

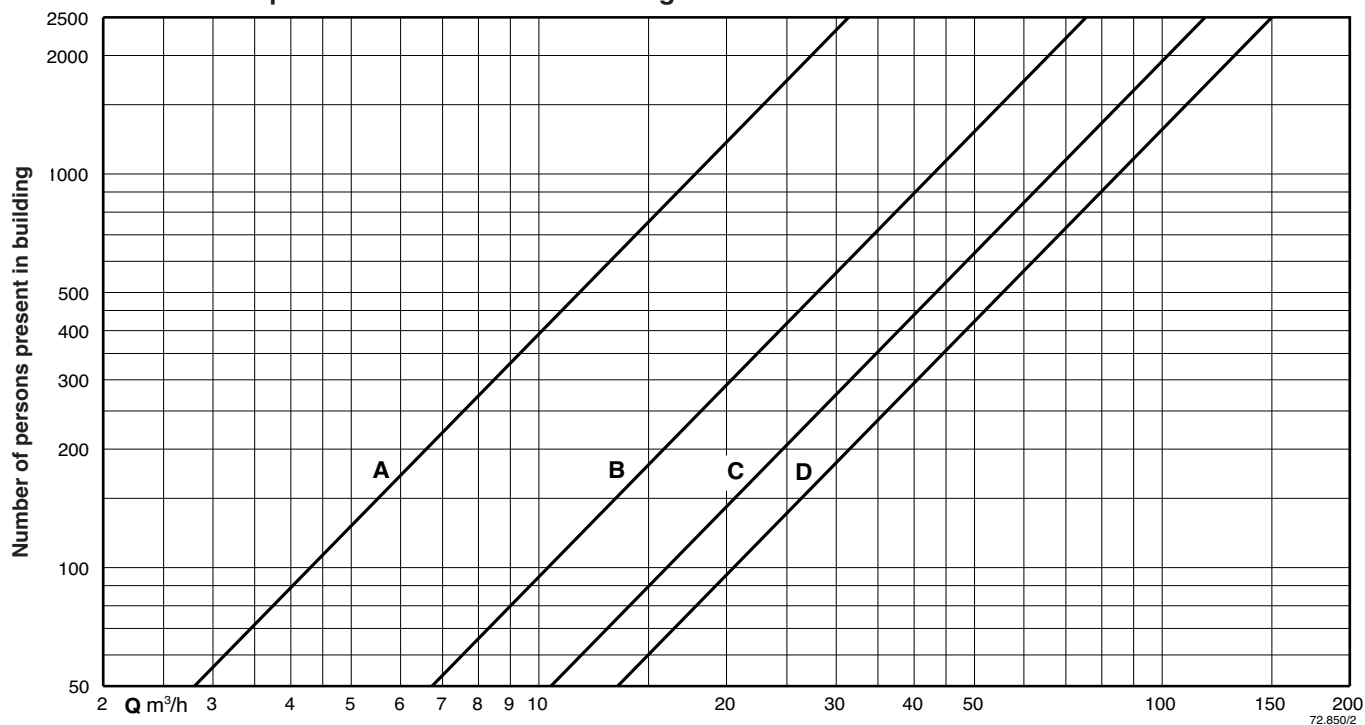
## Choosing a pressure-boosting set

### A Consumption in residential buildings



- 1 Apartments with one toilet, flush-tank type
- 2 Apartments with two toilets, flush-tank type
- 3 Apartments with one toilet, fast-feed type
- 4 Apartments with two toilets, fast-feed type

### B Consumption in non-residential buildings



- A Offices
- B Shopping centres
- C Hospitals
- D Hotels



## Choosing a pressure-boosting set

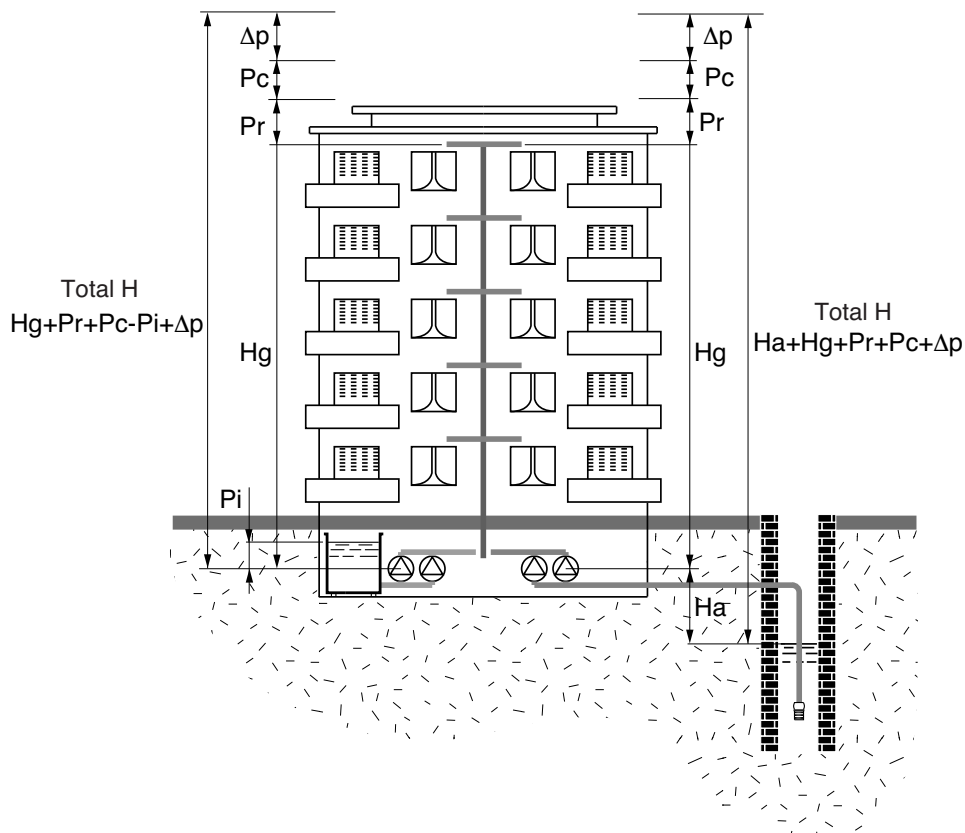
### Delivery head

The outlet pressure required for proper operation of electrical appliances must not be lower than 1.5 bar and not greater than 4-5 bar.

When the pressure level is insufficient and to such a degree that it impedes operation of domestic appliances, a pressure-boosting system must be installed to ensure adequate pressure also at the more unfavourably—located points of demand.

The values to consider for calculation of the pressure level are the following:

- **H<sub>g</sub>** the geodetic head between the pressure-boosting unit and the highest outlet.
- **H<sub>a</sub>** the suction lift.
- **P<sub>i</sub>** the initial pressure (or positive suction head).
- **P<sub>r</sub>** the minimum residual pressure at the highest outlet (normally 1.5 bar).
- **P<sub>c</sub>** the system head loss.
- **Δp** the difference in pressure between starting and stopping pumps.



When the pumps draw water from a well, the dynamic height difference ( $H_a$ ), when pumps are operating, should not exceed 4 m.

A greater suction head or erroneous sizing of the suction pipe may cause improper operation of the pumps - e.g. cavitation and priming loss.

The pumps are installed with a positive suction head when they are connected to a raised tank or a pressurized primary collection tank.

The pumps therefore have an initial pressure at the suction port which can vary from 0.1 bar (suction with a collection tank) to 2-3 bar (with suction from a pressurized primary collection tank).

When choosing a pressure-boosting system, the positive value of the initial pressure ( $P_i$ ) must be considered as a value to be subtracted from the height ( $H_g$ ).

The system head loss ( $P_c$ ) are given by the sum of the losses of the pipes (including the suction pipe) added to the losses due to gate valves, non-return valves, water purifiers, counters, filters, elbows etc.

Head loss in the tubes, caused by the friction of the water against the inner surface of the pipelines, may be quantified as 0.5 m per floor in the case of new systems and 1 m per floor in the case of old systems.

To avoid pressure levels greater than 4-5 bar arriving at outlets on the lower floors of apartment blocks and other buildings with a height greater than 30 m (about 10 floors), pressure reducers must be installed at the offtake point of the lower floors or otherwise two pressure-boosting units can be installed: one for the lower floors and one for the upper floors.

## Surge tanks

The purpose of surge tanks is to retain a quantity of water, under pressure, thus avoiding continuous pump starts, as water is demanded. The selection of the vessel must be made in-line with the pump flow and pressure and number of starts allowed by the motor. For water pressure units with more than one pump, the selection of the vessel should refer to the data for one pump only.

The surge vessel may be of the following type:

- a) Air cushion vessels
- b) Membrane vessels

### Air cushion vessels

In this type of vessels the air and water are in contact with each other. This will therefore result in a decrease of air as it dissolves into the water.

The installation will therefore require an automatic air feed ("Ariamat" air feeder, compressor or auto valve connected to existing compressed air network).

Air cushion vessels are normally manufactured from hot galvanized sheet steel, with rated pressures from 6 to 12 bar and capacity from 100 to 5000 ltrs, complete with safety valves, pressure gauge and level indicator.

### Membrane vessels

These vessels are fitted with an inner membrane separating the water and air. When installed, they must be pre-charged at a pressure in-line with the pressure switch settings.

### Calculation to size an air cushion vessel.

$$V_t = \frac{1.25 \times Q_m \times (P_1 + 10)}{4 \times Z \times (P_1 - P_2)}$$

where:

- V<sub>t</sub>** = Total volume of air cushion vessel in m<sup>3</sup>
- Q<sub>m</sub>** = Average pump flow in m<sup>3</sup>
- P<sub>1</sub>** = Maximum set pressure of pressure switch
- P<sub>2</sub>** = Minimum set pressure of pressure switch
- Z** = Maximum number of starts/hour allowed by the motor (see table).

**Q<sub>m</sub>** flow is the average between the flow at starting pressure (Q min) and the flow at stop pressure (Q max):

$$Q_m = \frac{Q_{min} + Q_{max}}{2} \quad (m^3/h)$$

Exemple: Pump MXV 40-807

- P<sub>1</sub> = 70 m
- P<sub>2</sub> = 50 m
- Q<sub>m</sub> = 9,45 m<sup>3</sup>/h
- Z = 23 starts/hour

$$V_t = \frac{1.25 \times 9,45 \times (70 + 10)}{4 \times 23 \times (70 - 50)} = 0,514 \text{ m}^3$$

From the calculation, it would result in the selection of a 500 litre vessel.

### Calculation to size a membrane vessel

$$V_t = \frac{Q_m}{4 \times Z} \times \frac{1}{1 - \frac{(P_2 - 2)}{P_1}}$$

where:

- V<sub>t</sub>** = Total volume of air cushion vessel in m<sup>3</sup>
- Q<sub>m</sub>** = Average pump flow in m<sup>3</sup>
- P<sub>1</sub>** = Maximum set pressure of pressure switch
- P<sub>2</sub>** = Minimum set pressure of pressure switch
- Z** = Maximum number of starts/hour allowed by the motor (see table)

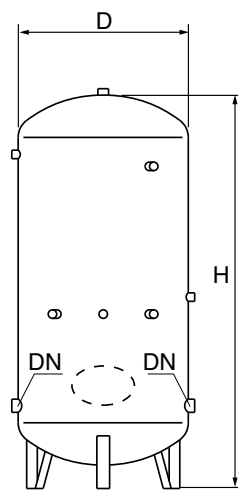
Exemple: Pump MXV 40-807

- P<sub>1</sub> = 70 m
- P<sub>2</sub> = 50 m
- Q<sub>m</sub> = 9,45 m<sup>3</sup>/h
- Z = 23 starts/hour

$$V_t = \frac{9,45}{4 \times 23} \times \frac{1}{1 - \frac{(50 - 2)}{70}} = 0,327 \text{ m}^3$$

From the calculation it will result in the selection of a 300 litre membrane vessel.

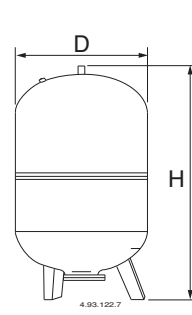
## CE 97/23 PED APPROVED PRESSURE VESSELS (Air tanks)

Hot galvanized vessels	TYPE	Dimensions	DN	Weight
		D x H mm		kg
	100- 5	400 x 1020	G 1	32
	200- 5	450 x 1440	G 1	48
	300- 8	550 x 1500	G 1 1/2	65
	500- 8	650 x 1820	G 2	105
	500- 12	600 x 2000	G 2	120
	800- 8	800 x 1900	G 2	145
	1000- 8	800 x 2150	G 2 1/2	160
	1000- 12 ▲	800 x 2300	G 2 1/2	203
	1500- 5	950 x 2500	G 2	190
	1500- 8 ▲	950 x 2500	G 2	255
	2000- 8 ▲	1100 x 2570	G 2 1/2	330
	2000- 12 ▲	1000 x 2780	G 2 1/2	387
	3000- 8 ▲	1250 x 2930	G 3	470
	3000- 12 ▲	1200 x 2930	G 3	596
	4000- 8 ▲	1450 x 3090	G 3	620
	4000- 12 ▲	1450 x 3090	G 3	880
	5000- 8 ▲	1450 x 3590	G 4	715
	5000- 12 ▲	1450 x 3590	G 4	1020

The vessels are suitable for water up to 50 °C

They are all approved at manufacturer's premises and are supplied complete with safety valve, tested pressure gauge and fittings.

## CE 97/23 PED APPROVED MEMBRANE VESSELS

MEMBRANE VESSELS	TYPE	Pressure	Dimensions	DN	weight
		bar	D x H mm		kg
	SM 60 V	10	382 x 845	G 1	-
	SM 80 V	10	450 x 850	G 1	-
	SM 100 V	10	450 x 950	G 1	-
	SM 200 V	10	550 x 1255	G 1 1/2	-
	SM 300 V	10	630 x 1405	G 1 1/2	-
	SM 500 V	10	780 x 1550	G 1 1/2	-
	SM 750 V	10	780 x 1940	G 1 1/2	-
	SM 1000 V	10	980 x 1970	G 2	-

EPDM diaphragm

Temperature -10 ÷ +100 °C

With safety valve and pressure gauge 0÷10 bar

# How to select a centrifugal pump



## Number of starts/hour allowed for CALPEDA motors

Rated motor power output	kW	0,25	0,37	0,55	0,75	1,1	1,5	2,2	3	4	5,5	7,5	9,2	11	15	18,5	22	30	37	45
Max. number of starts/hour	Z	59	51	44	38	35	30	25	23	20	18	16	15	14	12	11	10	9	9	8

The number of starts/hour mentioned in the table is approximate.

The maximum admissible starts/hour depends on the pump model and are mentioned in the original operating manual.

**Table no. 1 Head loss in m for steel pipes**

Pipe		Q m³/h	1	3	6	9	12	18	24	30	36	42	48	60	90	120	180	240	300	360	420	500	600		
G	Ø mm	Q l/min	16	50	100	150	200	300	400	500	600	700	800	1000	1500	2000	3000	4000	5000	6000	7000	8333	10000		
G 1/2	DN 15	HL v m/100m m/s	29,9 1,6																						
G 3/4	DN 20		7,4 0,9	56,3 2,7																					
G 1	DN 25		2,5 0,6	19,0 1,7	68,6 3,4																				
G 1 1/4	DN 32		0,7 0,3	5,7 1,0	20,6 2,1	43,6 3,1	74,4 4,1																		
G 1 1/2	DN 40		0,3 0,2	1,9 0,7	6,9 1,3	14,7 2,0	25,1 2,7	53,1 4,0	90,5 5,3																
G 2	DN 50			0,6 0,4	2,3 0,8	5,0 1,3	8,5 1,7	17,9 2,5	30,5 3,4	46,2 4,2	64,7 5,1	86,1 5,9													
G 2 1/2	DN 65			0,2 0,3	0,7 0,5	1,4 0,8	2,4 1,0	5,0 1,5	8,5 2,0	12,9 2,5	18,0 3,0	24,0 3,5	30,7 4,0	46,4 5,0											
	DN 80					0,5 0,5	0,9 0,7	1,8 1,0	3,1 1,3	4,7 1,7	6,6 2,3	8,7 2,7	11,2 2,7	16,9 3,3	35,8 5,0	60,9 6,6									
	DN 100							0,6 0,6	1,0 0,8	1,6 1,1	2,2 1,3	2,9 1,5	3,8 1,7	5,7 2,1	12,1 3,2	20,6 4,2	43,6 6,4	74,2 8,5							
	DN 125										0,7 0,8	1,0 1,0	1,3 1,1	1,9 1,4	4,1 2,0	6,9 2,7	14,7 5,4	25,0 6,8	37,8 8,1	53,0 8,1	70,5 9,5				
	DN 150												0,5 0,8	0,8 0,9	1,7 1,4	2,9 1,9	6,0 2,8	10,3 3,8	15,6 4,7	21,8 5,7	29,0 6,6	40,1 7,9	56,2 9,4		
	DN 200													0,2 0,5	0,4 0,8	0,7 1,1	1,5 1,6	2,5 2,7	3,8 4,7	5,4 6,6	7,1 8,1	9,9 11,8	13,8 15,7		
	DN 250															0,2 0,7	0,5 1,0	0,9 1,4	1,3 1,7	1,8 2,0	2,4 2,8	3,3 3,8	4,7 5,3		
	DN 300																0,2 0,7	0,4 0,9	0,5 1,2	0,7 1,4	1,0 1,7	1,4 2,0	1,9 2,4		

**Table no. 1.1 Head loss in m for Polyethylene PE 100 - PFA 16 pipes**


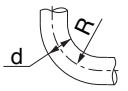


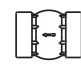
Pipe		Q m³/h	1	3	6	9	12	18	24	30	36	42	48	60	90	120	180	240	300	360	420	500	600	
Ø est. mm	Ø int. mm	Q l/min	16	50	100	150	200	300	400	500	600	700	800	1000	1500	2000	3000	4000	5000	6000	7000	8333	10000	
32	26	HL v m/100m m/s	1,4 0,5	10,4 1,6	37,5 3,1	79,4 4,7																		
40	32,6		0,5 0,33	3,4 1,00	12,4 2,00	26,4 3,00	44,9 3,99																	
50	40,8		0,2 0,2	1,2 0,6	4,2 1,3	8,8 1,9	15,1 2,5	31,9 3,8	54,4 5,1															
63	51,4			0,4 0,4	1,4 0,8	2,9 1,2	4,9 1,6	10,4 2,4	17,7 3,2	26,7 4,0	37,4 4,8	49,8 5,6	63,7 6,4											
75	61,4			0,2 0,3	0,6 0,6	1,2 0,8	2,1 1,1	4,4 1,7	7,4 2,3	11,2 2,8	15,7 3,4	20,9 3,9	26,8 4,5	40,5 5,6										
90	73,6				0,2 0,4	0,5 0,6	0,9 1,2	1,8 1,6	3,1 2,0	4,6 2,4	6,5 2,7	8,7 3,1	11,1 3,1	16,8 3,9	35,5 5,9	60,5 7,8								
110	90				0,1 0,3	0,2 0,4	0,3 0,5	0,7 0,8	1,2 1,0	1,7 1,3	2,4 1,6	3,3 2,1	4,2 1,8	6,3 2,1	13,3 3,9	22,7 5,2	48,1 7,9							
125	102,2					0,1 0,3	0,2 0,4	0,4 0,6	0,6 1,0	0,9 1,2	1,3 1,4	1,7 1,6	2,2 1,6	3,4 2,0	7,2 3,0	12,2 4,1	25,9 6,1	44,1 8,1						
140	114,6					0,1 0,2	0,1 0,3	0,2 0,5	0,4 0,6	0,5 0,8	0,8 1,0	1,0 1,1	1,3 1,3	1,9 1,6	4,1 2,4	7,0 3,2	14,8 4,8	25,3 6,5	38,2 8,1	53,5 9,7				
160	130,8						0,1 0,2	0,1 0,5	0,2 0,6	0,3 0,7	0,4 1,0	0,5 1,0	0,7 1,0	1,0 1,2	2,2 1,9	3,7 2,5	7,8 3,7	13,3 5,0	20,1 6,2	28,1 7,4	37,4 8,7			
180	147,2						0,1 0,3	0,1 0,4	0,2 0,5	0,2 0,6	0,3 0,7	0,4 1,0	0,5 1,0	0,7 1,0	1,2 1,5	2,1 2,0	4,4 2,9	7,5 3,9	11,3 4,9	15,8 6,9	21,0 8,2	29,1 9,8	40,7 13,7	
200	163,6							0,1 0,32	0,1 0,40	0,1 0,55	0,2 0,63	0,2 0,79	0,2 1,19	0,3 1,59	0,7 2,38	1,2 3,17	2,6 3,96	4,5 4,76	6,7 5,55	9,5 6,61	12,6 8,61	17,4 11,8	24,4 16,6	
225	184								0,1 0,3	0,1 0,4	0,1 0,5	0,2 0,4	0,3 0,5	0,4 0,6	0,7 0,9	1,2 1,3	2,1 1,9	3,8 2,5	5,3 3,1	7,1 4,4	9,8 6,6	13,7 9,4		
250	204,6										0,1 0,4	0,1 0,4	0,1 0,4	0,2 0,4	0,4 0,8	0,7 1,5	1,2 2,0	2,3 1,6	3,2 2,0	4,2 2,8	5,8 3,8	8,2 5,3	11,8 7,9	
280	229,2													0,1 0,4	0,1 0,8	0,2 1,2	0,5 1,6	0,9 2,0	1,3 2,4	1,8 2,8	2,4 3,4	3,4 4,4	4,7 6,3	
315	257,8													0,1 0,5	0,1 0,8	0,3 1,0	0,5 1,6	0,7 2,0	1,0 1,9	1,4 2,2	1,9 2,7	2,7 3,2		
355	290,6														0,1 0,5	0,2 0,8	0,3 1,0	0,4 1,3	0,6 1,5	0,8 1,8	1,1 2,1	1,5 2,5		
400	327,4															0,1 0,5	0,2 0,8	0,2 1,0	0,3 1,2	0,4 1,4	0,6 1,6	0,8 1,1	1,1 1,6	
450	368,2															0,1 0,5	0,1 0,6	0,1 0,8	0,2 1,0	0,2 1,1	0,3 1,3	0,5 1,6		
500	409,2																0,1 0,5	0,1 0,6	0,1 0,8	0,1 0,9	0,2 1,1	0,3 1,3		

Q Flow.

HL Head loss, m per 100 m.

v = Flow velocity: max 1,5 m/s for suction and 3 m/s for delivery.

**Table no. 2 Head loss in cm** for bends, gate valves, foot valves and check valves

Water flow velocity m/sec.	Elbows 					$\alpha = 90$ sweep elbow 					Gate valves 	Foot valves 	Check valves 
	$\alpha = 30$	$\alpha = 40$	$\alpha = 60$	$\alpha = 80$	$\alpha = 90$	$\frac{d}{R} = 0,4$	$\frac{d}{R} = 0,6$	$\frac{d}{R} = 0,8$	$\frac{d}{R} = 1$	$\frac{d}{R} = 1,5$			
	0,4	0,43	0,52	0,71	1,0	1,2	0,11	0,13	0,16	0,23			
0,5	0,67	0,81	1,1	1,6	1,9	0,18	0,21	0,26	0,37	0,67	0,37	33	32
0,6	0,97	1,2	1,6	2,3	2,8	0,25	0,29	0,36	0,52	0,97	0,52	34	32
0,7	1,35	1,65	2,2	3,2	3,9	0,34	0,40	0,48	0,70	1,35	0,70	35	32
0,8	1,7	2,1	2,8	4,0	4,8	0,45	0,53	0,64	0,93	1,7	0,95	36	33
0,9	2,2	2,7	3,6	5,2	6,2	0,57	0,67	0,82	1,18	2,2	1,20	37	34
1,0	2,7	3,3	4,5	6,4	7,6	0,7	0,82	1,0	1,45	2,7	1,45	38	35
1,5	6,0	7,3	10	14	17	1,6	1,9	2,3	3,3	6	3,3	47	40
2,0	11	14	18	26	31	2,8	3,3	4,0	5,8	11	5,8	61	48
2,5	17	21	28	40	48	4,4	5,2	6,3	9,1	17	9,1	78	58
3,0	25	30	41	60	70	6,3	7,4	9	13	25	13	100	71
3,5	33	40	55	78	93	8,5	10	12	18	33	18	123	85
4,0	43	52	70	100	120	11	13	16	23	42	23	150	100
4,5	55	67	90	130	160	14	21	26	37	55	37	190	120
5,0	67	82	110	160	190	18	29	36	52	67	52	220	140

**Table no. 3 Diagram of manometric suction head with water up to 100 °C**

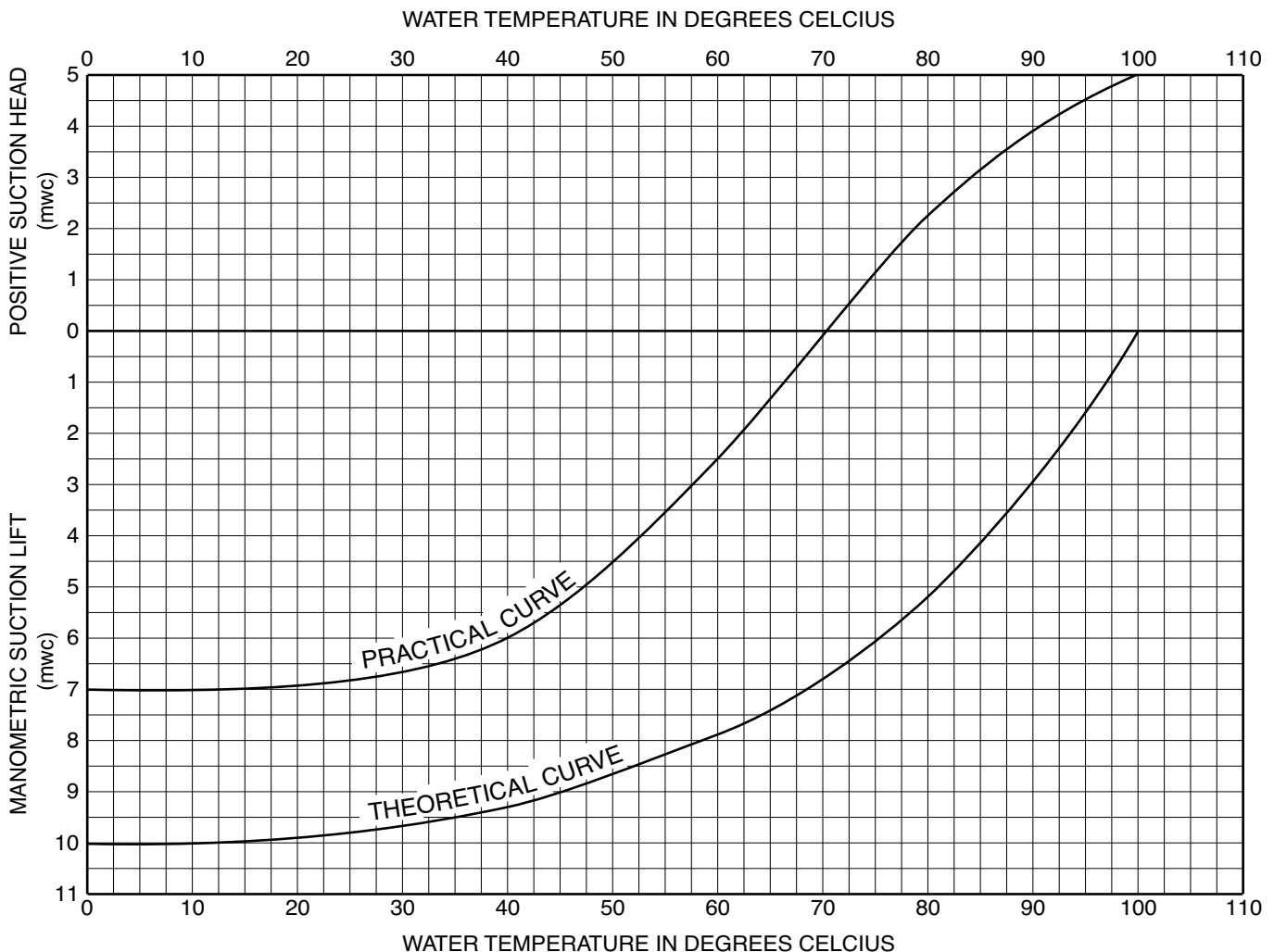


Diagram referred to pumps with manometric suction head of 7 mwc. at 20 °C

## Electric pumps powered by frequency converter

The use of a frequency converter to power an electric pump, offers the possibility of operating in different working points according to the needs of the system, and hydraulic or mechanical performance desired. However, this possibility is detrimental to the quality voltage and consequently also to the current circulating in the motor. Figure 1 shows the current sinusoid at the output of the converter, which has some “noise”, i.e. sinusoids with high frequency but moderate amplitude.

The stray capacitances with high frequency have a low impedance, allowing the circulation of current harmonics in the motor casing and bearings, thus compromising their correct functioning. The most common methods to reduce this phenomenon are:

- ground shield of the power cable;
- use of a dv/dt filter or sinusoidal filter at the output of converter;
- adoption of an isolated bearing.

The dv/dt filters consist of inductors and capacitors with cut off frequency higher than switching frequency of the converter. Filters reduce the voltage rise time making the current more sinusoidal. Figure 2 shows that current sinusoid contains less harmonics than the current without dv/dt filter.

The IEC 60034-17 technical specification prescribes the rise time value (dv/dt) that the supply voltage must have according to the peak values it assumes, so that the current can not damage the bearings (figure 3).

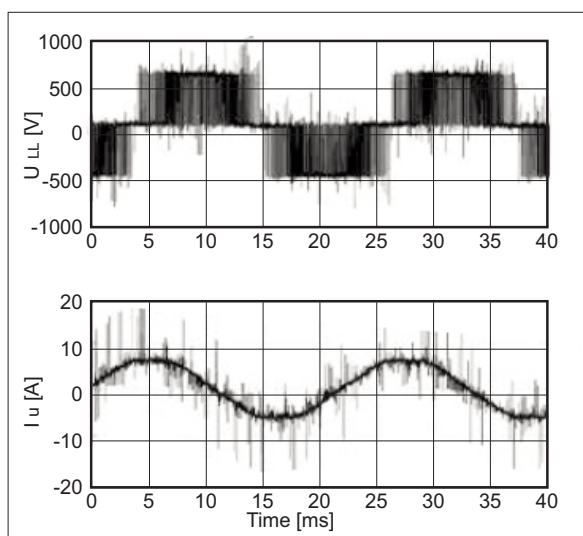


Figure 1: Voltage and current trends without dv/dt filter

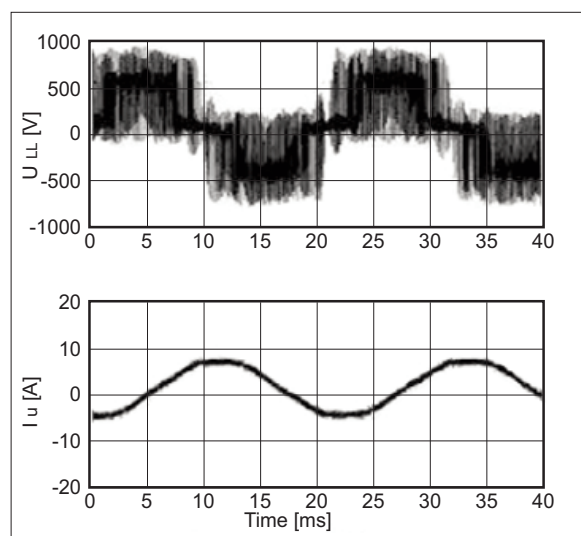


Figure 2: Voltage and current trends with dv/dt filter

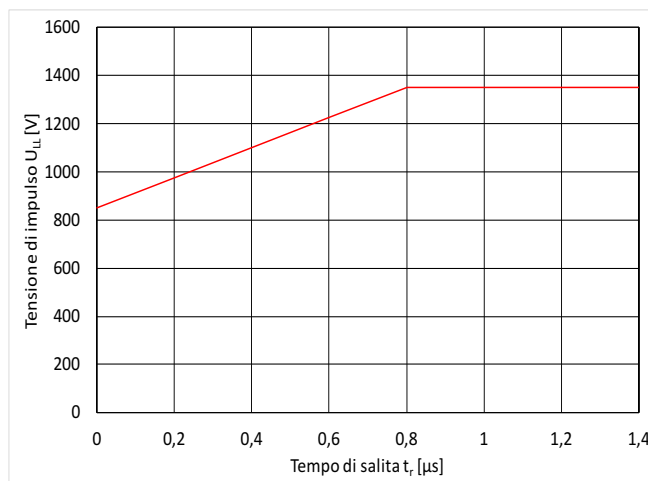


Figure 3: Limiting curve of admissible impulse voltage  $U_{LL}$  at the motor terminals as a function of the rise time  $t_r$

## EFFICIENCY OF ELECTRIC MOTORS

### COMMISSION REGULATION (EU) 2019/1781

Having regard to Directive **2009/125/EC** of the European Parliament establishing a framework for the setting of ecodesign requirements for energy-related products, it specifies the time and the efficiency levels that motors sold in the European market will have to comply.

#### This Regulation shall apply to:

- (1) This Regulation applies to the following products:
- (a) induction electric motors without brushes, commutators, slip rings or electrical connections to the rotor, rated for operation on a 50 Hz, 60 Hz or 50/60 Hz sinusoidal voltage, that:
    - (i) have two, four, six or eight poles;
    - (ii) have a rated voltage UN above 50 V and up to and including 1 000 V;
    - (iii) have a rated power output PN from 0,12 kW up to and including 1 000 kW;
    - (iv) are rated on the basis of continuous duty operation; and
    - (v) are rated for direct on-line operation;
  - (b) variable speed drives with 3 phases input that:
    - (i) are rated for operating with one motor referred to in point (a), within the 0,12 kW-1 000 kW motor rated output range;
    - (ii) have a rated voltage above 100 V and up to and including 1 000 V AC;
    - (iii) have only one AC voltage output.



#### This Regulation shall not apply to:

- (a) motors completely integrated into a product (for example into a gear, pump, fan or compressor) and whose energy performance cannot be tested independently from the product, even with the provision of a temporary end-shield and drive-end bearing; the motor must share common components (apart from connectors such as bolts) with the driven unit (for example, a shaft or housing) and shall not be designed in such a way that the motor can be separated in its entirety from the driven unit and operate independently. The process of separation shall have the consequence of rendering the motor inoperative;
- (b) motors with an integrated variable speed drive (compact drives) whose energy performance cannot be tested independently from the variable speed drive; d) brake motors.
- (c) motors with an integrated brake which forms an integral part of the inner motor construction and can neither be removed nor powered by a separate power source during the testing of the motor efficiency;
- (d) motors specifically designed and specified to operate exclusively:
  - (i) at altitudes exceeding 4 000 metres above sea-level;
  - (ii) where ambient air temperatures exceed 60 °C;
  - (iii) in maximum operating temperature above 400 °C;
  - (iv) where ambient air temperatures are less than – 30 °C; or
  - (v) where the water coolant temperature at the inlet to a product is below 0 °C or above 32 °C;
- (e) motors specifically designed and specified to operate wholly immersed in a liquid;
- (f) motors specifically qualified for the safety of nuclear installations, as defined in Article 3 of Council Directive 2009/71/Euratom (8);
- (g) explosion-protected motors specifically designed and certified for mining, as defined in Annex I, point 1 of Directive 2014/34/EU of the European Parliament and of the Council (9);
- (h) motors in cordless or battery-operated equipment;
- (i) motors in hand-held equipment whose weight is supported by hand during operation;
- (j) motors in hand-guided mobile equipment moved while in operation;
- (k) motors with mechanical commutators;
- (l) Totally Enclosed Non-Ventilated (TENV) motors;
- (m) motors placed on the market before 1 July 2029 as substitutes for identical motors integrated in products placed on the market before 1 July 2022, and specifically marketed as such;
- (n) multi-speed motors, i.e. motors with multiple windings or with a switchable winding, providing a different number of poles and speeds;
- (o) motors designed specifically for the traction of electric vehicles.

#### VSDs integrated:

- (a) VSDs integrated into a product and whose energy performance cannot be tested independently from the product, that is to say that an attempt to do so would render the VSD or the product inoperative;
- (b) VSDs qualified specifically for the safety of nuclear installations, as defined Article 3 of Directive 2009/71/ Euratom;
- (c) regenerative drives; (d) drives with sinusoidal input current.

#### Each ecodesign requirement shall apply in accordance with the following timetable:

##### 1. ENERGY EFFICIENCY REQUIREMENTS FOR MOTORS

Energy efficiency requirements for motors shall apply according to the following timetable:

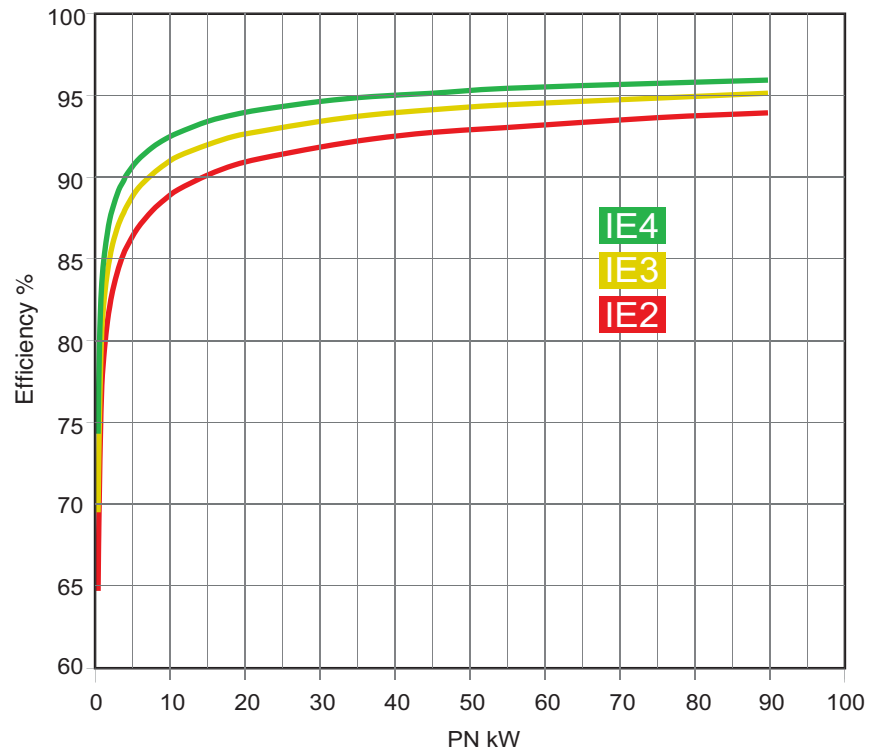
- (a) from 1 July 2021:
  - (i) the energy efficiency of three-phase motors with a rated output equal to or above 0,75 kW and equal to or below 1 000 kW, with 2, 4, 6 or 8 poles, which are not Ex eb increased safety motors, shall correspond to at least the IE3 efficiency level set out in Table 2;
  - (ii) the energy efficiency of three-phase motors with a rated output equal to or above 0,12 kW and below 0,75 kW, with 2, 4, 6 or 8 poles, which are not Ex eb increased safety motors, shall correspond to at least the IE2 efficiency level set out in Table 1;
- (b) from 1 July 2023:
  - (i) the energy efficiency of Ex eb increased safety motors with a rated output equal to or above 0,12 kW and equal to or below 1 000 kW, with 2, 4, 6 or 8 poles, and single-phase motors with a rated output equal to or above 0,12 kW shall correspond to at least the IE2 efficiency level set out in Table 1;
  - (ii) the energy efficiency of three-phase motors which are not brake motors, Ex eb increased safety motors, or other explosion-protected motors, with a rated output equal to or above 75 kW and equal to or below 200 kW, with 2, 4, or 6 poles, shall correspond to at least the IE4 efficiency level set out in Table 3.

## EFFICIENCY OF ELECTRIC MOTORS

Summary table of the levels of efficiency as expected in IEC 60034-30

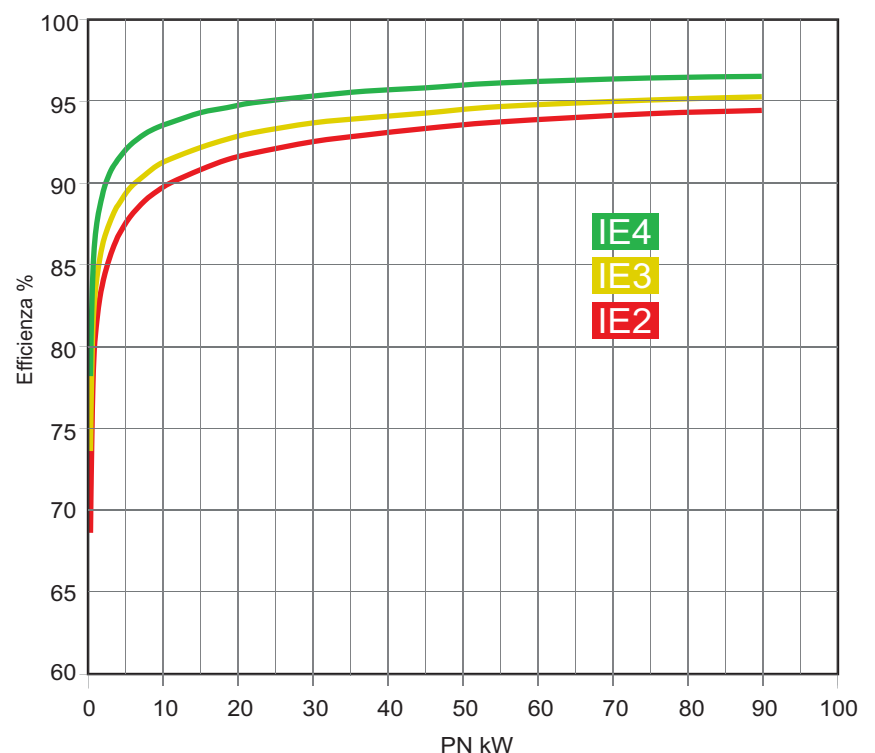
Rated power output kW	Efficiency %		
	IE2	IE3	IE4
0,25	64,8	69,7	74,3
0,3	67,1	71,6	76,1
0,33	68,2	72,6	77,1
0,37	69,5	73,8	78,1
0,45	71,7	75,8	79,9
0,55	74,1	77,8	81,5
0,75	77,4	80,7	83,5
1,1	79,6	82,7	85,2
1,5	81,3	84,2	86,5
1,8	82,2	85	87,3
2,2	83,2	85,9	88
3	84,6	87,1	89,1
3,7	85,5	87,8	89,7
4	85,8	88,1	90
5,5	87	89,2	90,9
7,5	88,1	90,1	91,7
9,2	88,8	90,7	92,2
11	89,4	91,2	92,6
15	90,3	91,9	93,3
18,5	90,9	92,4	93,7
22	91,3	92,7	94
30	92	93,3	94,5
37	92,5	93,7	94,8
45	92,9	94	95
55	93,2	94,3	95,3
75	93,8	94,7	95,6
90	94,1	95	95,8

2-pole



Rated power output kW	Efficiency %		
	IE2	IE3	IE4
0,25	68,5	73,5	77,9
0,3	70,5	75,3	79,5
0,33	71,5	76,2	80,3
0,37	72,7	77,3	81,1
0,45	74,8	79	82,5
0,55	77,1	80,8	83,9
0,75	79,6	82,5	85,7
1,1	81,4	84,1	87,2
1,5	82,8	85,3	88,2
1,8	83,5	86	88,8
2,2	84,3	86,7	89,5
3	85,5	87,7	90,4
3,7	86,3	88,4	90,9
4	86,6	88,6	91,1
5,5	87,7	89,6	91,9
7,5	88,7	90,4	92,6
9,2	89,3	91	93
11	89,8	91,4	93,3
15	90,6	92,1	93,9
18,5	91,2	92,6	94,2
22	91,6	93	94,5
30	92,3	93,6	94,9
37	92,7	93,9	95,2
45	93,1	94,2	95,4
55	93,5	94,6	95,7
75	94	95	96
90	94,2	95,2	96,1

4-pole



## EFFICIENCY OF WATER PUMPS

### Directive of the European Parliament COMMISSION REGULATION (EC) No 547/2012

With the Eco-design Directive of Energy Using Products (**ErP Directive – Energy-related Products**) the European Union wants to improve the design of equipment that “consume” significant energy (e.g. televisions, refrigerators, washing machines, boilers, pumps, motors etc.) to improve eco-design providing environmental sustainability, reducing negative environmental impact as the consequence of production, use and disposal of products.

The objective of the Directive is to force manufacturers and importers to produce and distribute products with high energy efficiency, and reduced carbon output.

The criteria for eco-design will be an integral part of the declaration of conformity (**CE**), which is a necessary requirement/mark for products being sold in the EU.



#### **This Regulation shall apply to:**

The Regulation 547/2012/EC defines the eco-design requirements for marketing centrifugal water pumps in the European market, even if they are integrated in other products (OEM). The Regulation provides the introduction and the calculation of a minimum efficiency index (MEI).

The pumps involved in the Regulation are:

- End suction own bearing water pumps (ESOB) designed for pressures up to 16 bar, a maximum shaft power of 150 kW, a maximum head of 90 m at nominal speed of 1450 rpm and a maximum head of 140 m at nominal speed of 2900 rpm;
- End suction close coupled water pumps (ESCC) designed for pressures up to 16 bar, a maximum shaft power of 150 kW, a maximum head of 90 m at nominal speed of 1450 rpm and a maximum head of 140 m at nominal speed of 2900 rpm;
- End suction close coupled in-line water pumps (ESCCi) designed for pressures up to 16 bar, a maximum shaft power of 150 kW, a maximum head of 90 m at nominal speed of 1450 rpm and a maximum head of 140 m at nominal speed of 2900 rpm;
- Vertical multistage water pumps (MS-V) designed for pressures up to 25 bar, with a nominal speed of 2900 rpm and a maximum flow of 100 m<sup>3</sup>/h (27,78·10<sup>-3</sup> m<sup>3</sup>/s);
- Submersible multistage water pumps (MSS) with a nominal outer diameter of 4" (10,16 cm) or 6" (15,24 cm) designed to operate in a borehole at nominal speed of 2 900 rpm, at operating temperatures within a range of 0 °C and 90 °C;

#### **This Regulation shall not apply to:**

- a) Water pumps designed specifically for pumping clean water at temperatures below – 10 °C or above 120 °C.
- b) Water pumps designed only for fire-fighting applications.
- c) Displacement water pumps.
- d) Self-priming water pumps.

#### **This regulation shall apply in accordance with the following timetable:**

- 1) From 1 January 2013, water pumps shall have: at the best efficiency point (BEP), at part load (PL), at over load (OL) a minimum efficiency index MEI  $\geq 0,10$ .
- 2) From 1 January 2015, water pumps shall have: at the best efficiency point (BEP), at part load (PL), at over load (OL) a minimum efficiency index MEI  $\geq 0,40$ .

The information on benchmark efficiency is available on the web site [www.europump.org/efficiencycharts](http://www.europump.org/efficiencycharts)

The MEI value of Calpeda pumps is available on the web site [www.calpeda.com](http://www.calpeda.com)

### Regulation (EU) No 547/2012

- The benchmark for most efficient water pumps is MEI  $\geq 0,70$ .
- The efficiency of a pump with a trimmed impeller is usually lower than that of a pump with the full impeller diameter. The trimming of the impeller will adapt the pump to a fixed duty point, leading to reduced energy consumption. The minimum efficiency index (MEI) is based on the full impeller diameter.
- The operation of this water pump with variable duty points may be more efficient and economic when controlled, for example, by the use of a variable speed drive that matches the pump duty to the system.

# Catalogue 50Hz

March 2021 C201-18/3

Changes reserved