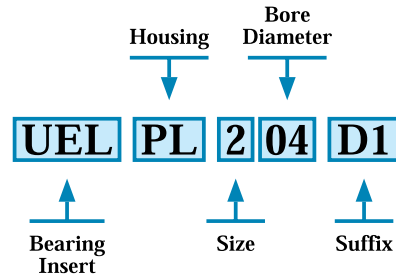
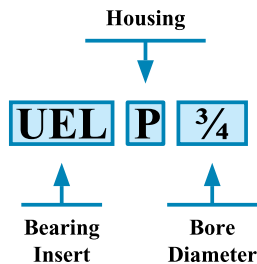


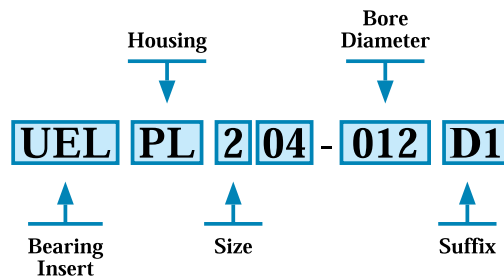
Metric Series



Ultra Class Series



Inch Series



1. PREFIX

F:	Stainless
A:	Lube on non-locking mechanism side

2. BEARING INSERTS*

AEL:	Narrow inner ring, locking collar
AR:	Narrow inner ring, set screw type
AS:	Narrow inner ring, set screw type
JEL:	Narrow inner ring, locking collar
REL:	Wide inner ring, locking collar
UR:	Wide inner ring, set screw type
UC:	Wide inner ring, set screw type, with flinger
UEL:	Wide inner ring, locking collar, with flinger
UK:	Tapered bore, with flinger

3. HOUSINGS

F:	Flanged unit, cast - 4-bolt square housing
FA:	Flanged unit, cast - rhombus housing
FC:	Flanged piloted unit, cast - round housing
FD:	Flanged unit, cast - 2-bolt housing
FH:	Flanged unit, cast housing
FL:	Flanged unit, cast - 2-bolt housing
FS:	Flanged piloted unit, cast - 4-bolt square housing
FU:	Flanged unit, cast - 4-bolt square housing
PF:	Flanged unit, pressed steel - 3-bolt round housing
PFL:	Flanged unit, pressed steel - 2-bolt housing
RPF:	Flanged unit, pressed steel with rubber ring - 3-bolt round housing
HP:	Pillow Block, cast housing, high center height
P:	Pillow Block, cast housing
PL:	Pillow Block, cast housing, low center height

PP:	Pillow Block, pressed steel housing
RPP:	Pillow Block, pressed steel housing with rubber ring
UP:	Pillow Block, cast housing
C:	Cylindrical cartridge unit
HB:	Hanger unit, cast housing
PT:	Mini stretcher
T:	Take-up unit, cast housing

4. SIZE

2:	Light
X:	Medium
3:	Heavy

5. SUFFIX

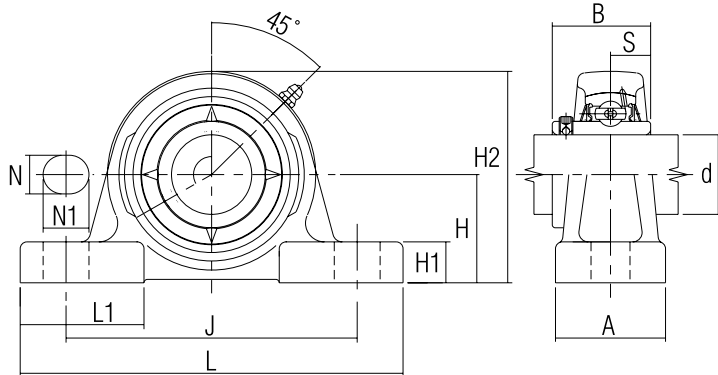
D1:	Relube type
W3:	Cup Point Set Screw
N:	Snap Ring Groove
NR:	Snap Ring and Groove
R:	Meets ISO Series
HT1D1:	Heat stabilized for up to 284° F
HT2D1:	Heat stabilized for up to 392° F

* To order a bearing with a cylindrical O.D., add S to the part number (example: JELS).

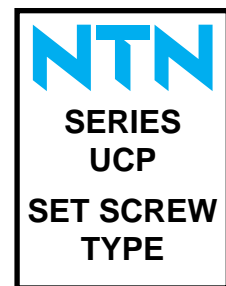


**MOUNTED
UNIT
SELECTION
MATRIX**

Bearing Insert		Housing		High Base Pillow Block		Low Base Pillow Block		2-Bolt Flange		4-Bolt Square Flange		Pressed Steel Pillow Block		Pressed Steel Flanges	
		Page		Page		Page		Page		Page		Page		Page	
Ultra-Class	Setscrew Type	A-UC2	204	UCP-	135	UCPL-	136	UCFLU-	144	UCFU-	149				
		A-UCX	206	UCPX-	137			UCFLUX-	145	UCFUX-	150				
		A-AR2	208	ARP-	138	ARPL-	139	ARFLU-	146	ARFU-	152				
	Eccentric Locking Collar	A-UEL2	211	UEL-	140	UELPL-	141	UELFLU-	147	UELFU-	151				
		A-JEL2	214	JEL-	142	JELPL-	143	JELFLU-	148	JELFU-	153				
	Standard ISO Series	Setscrew Type	UC2	204	UCP2	156	UCPL2-	158	UCFL2	174	UCF2	191			
UC3			205	UCP3	159			UCFL3	175	UCF3	193				
UCX			206	UCPX	160			UCFLX	176	UCFX	195				
AS2			207			ASPL2	162	ASFD2	182		ASPP2	163	ASPF2	188	
Eccentric Locking Collar		UEL2	211	UEL2	164	UELPL2	165	UELFL2	177	UELF2	197				
		UEL3	212	UEL3	166			UELFL3	178	UELF3	198				
		AEL2	213	AEL2	168	AELPL2	169	AELFL2	180		AELPP2	170	AELPF2	189	
		JEL2	214			JELPL2	167	JELFL2	181				JELPF2	190	
Adapter Type		UK2	216	UKP2	171					UKF2	200				
Other Bearings			UCS3	210	AELS2	213	ASS2	207	UCS2	209	REL2	215	Farm Implement Bearings	222	



Units: **Millimeters**
INCHES



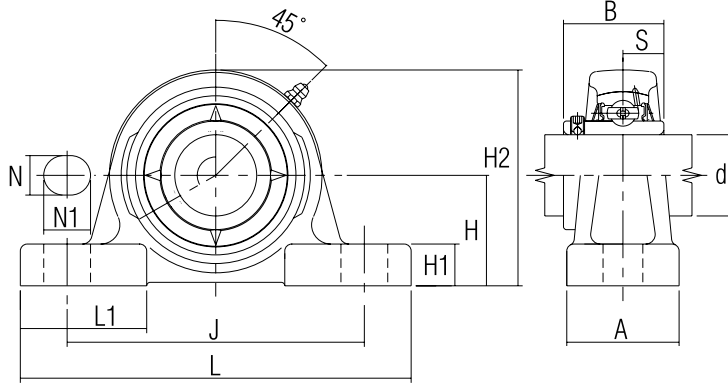
PILLOW BLOCKS - ULTRA CLASS

Part Number	Nominal Dimensions												Bolt Size	Lube Hole of Housing	Insert Bearing Number	Housing Number
	d	H	L	J	A	N	N1	H1	H2	L1	B	S				
UCP-1/2	0.5000	30.2	127	92.1	38	11.1	22.2	14	62	42	27.4	11.5	3/8	1/4-28UNF	A-UC201X-008D1 A-UC202X-009D1 A-UC202X-010D1 A-UC203X-011D1	P201D1V50
UCP-9/16	0.5625	1 3/16	5	3 5/8	1 1/2	7/16	7/8	9/16	2 7/16	1 21/32	1.0787	0.453				
UCP-5/8	0.6250															
UCP-11/16	0.6875															
UCP-3/4	0.7500	33.3	127	96	38	11.1	19.8	14	65	42	31	12.7	3/8	1/4-28UNF	A-UC204-012D1	P204D1V50
		1 5/16	5	3 25/32	1 1/2	7/16	25/32	9/16	2 9/16	1 21/32	1.2205	0.500				
UCP-13/16	0.8125	36.5	140	104.8	38	11.1	20.6	15	71	42	34.1	14.3	3/8	1/8-27NPT	A-UC205-013D1 A-UC205-014D1 A-UC205-015D1 A-UC205-100D1	P205D1V50
UCP-7/8	0.8750	1 7/16	5 1/2	4 1/8	1 1/2	7/16	13/16	19/32	2 25/32	1 21/32	1.3425	0.563				
UCP-15/16	0.9375															
UCP-1	1.0000															
UCP-1 1/16	1.0625	42.9	165	117.5	48	14.3	23.8	17	83	54	38.1	15.9	1/2	1/8-27NPT	A-UC206-101D1 A-UC206-102D1 A-UC206-103D1 A-UC206-104D1	P206D1V50
UCP-1 1/8	1.1250	1 11/16	6 1/2	4 5/8	1 7/8	9/16	15/16	21/32	3 3/32	2 1/8	1.5000	0.626				
UCP-1 3/16	1.1875															
UCP-1 1/4S	1.2500															
UCP-1 1/4	1.2500	47.6	167	130.2	48	14.3	24.6	18	93	54	42.9	17.5	1/2	1/8-27NPT	A-UC207-104D1 A-UC207-105D1 A-UC207-106D1 A-UC207-107D1	P207D1V50
UCP-1 5/16	1.3125	1 7/8	6 9/16	5 1/8	1 7/8	9/16	31/32	23/32	3 21/32	2 1/8	1.6890	0.689				
UCP-1 3/8	1.3750															
UCP-1 7/16	1.4375															
UCP-1 1/2	1.5000	49.2	184	136.5	54	14.3	26.2	18	98	52	49.2	19	1/2	1/8-27NPT	A-UC208-108D1 A-UC208-109D1	P208D1V50
UCP-1 9/16	1.5625	1 15/16	7 1/4	5 3/8	2 1/8	9/16	1 1/32	23/32	3 27/32	2 1/16	1.9370	0.748				
UCP-1 5/8	1.6250	54	190	149.2	54	14.3	28.6	20	106	60	49.2	19	1/2	1/8-27NPT	A-UC209-110D1 A-UC209-111D1 A-UC209-112D1	P209D1V50
UCP-1 11/16	1.6875	2 1/8	7 15/32	5 7/8	2 1/8	9/16	1 1/8	25/32	4 3/16	2 3/8	1.9370	0.748				
UCP-1 3/4	1.7500															
UCP-1 13/16	1.8125	57.2	206	158	60	17.5	23.8	21	114	65	51.6	19	5/8	1/8-27NPT	A-UC210-113D1 A-UC210-114D1 A-UC210-115D1 A-UC210-200D1	P210D1V50
UCP-1 7/8	1.8750	2 1/4	8 1/8	6 7/32	2 3/8	11/16	15/16	13/16	4 1/2	2 9/16	2.0315	0.748				
UCP-1 15/16	1.9375															
UCP-2S	2.0000															
UCP-2	2.0000	63.5	219	176.2	60	18.3	29.4	23	126	65	55.6	22.2	5/8	1/8-27NPT	A-UC211-200D1 A-UC211-201D1 A-UC211-202D1 A-UC211-203D1	P211D1V50
UCP-2 1/16	2.0625	2 1/2	8 5/8	6 15/16	2 3/8	23/32	1 5/32	29/32	4 3/32	2 9/16	2.1890	0.874				
UCP-2 1/8	2.1250															
UCP-2 3/16	2.1875															
UCP-2 1/4	2.2500	69.8	241	188.1	70	18.3	29.4	25	138	70	65.1	25.4	5/8	1/8-27NPT	A-UC212-204D1 A-UC212-205D1 A-UC212-206D1 A-UC212-207D1	P212D1V50
UCP-2 5/16	2.3125	2 3/4	9 1/2	7 13/32	2 3/4	23/32	1 5/32	31/32	5 7/16	2 3/4	2.5630	1.000				
UCP-2 3/8	2.3750															
UCP-2 7/16	2.4375															
UCP-2 1/2	2.5	76.2	265	203	70	25	28	27	151	77	65.1	25.4	3/4	1/8-27NPT	A-UC213-208D1 A-UC213-209D1	P213D1V50
UCP-2 9/16	2.5625	3	10 7/16	8	2 3/4	31/32	1 3/32	1 1/16	5 15/16	3 1/32	2.563	1				
UCP-2 5/8 R	2.625	79.4	266	210	72	25	28	27	157	77	74.6	30.2	3/4	1/8-27NPT	A-UC214-210D1 A-UC214-211D1 A-UC214-213D1	P214D1V50
UCP-2 11/16 R	2.6875	3 1/8	10 15/32	8 9/32	2 27/32	31/32	1 3/32	1 1/16	6 3/16	3 1/32	2.937	1.189				
UCP-2 3/4 R	2.75															
UCP-2 13/16	2.8125	82.6	275	215.9	74	22.2	31.8	28	163	80	77.8	33.3	3/4	1/8-27NPT	A-UC215-213D1 A-UC215-214D1 A-UC215-215D1 A-UC215-300D1	P215D1V50
UCP-2 7/8	2.8750	3 1/4	10 13/16	8 1/2	2 29/32	7/8	1 1/4	1 3/32	6 13/32	3 5/32	3.0630	1.311				
UCP-2 15/16	2.9375															
UCP-3	3.0000															

Note: Metric Sizes available. The production and shipment of black oxide coated inserts will be introduced as a rolling change. This is denoted with an M at the end of the current part number. Please consult NTN for availability.



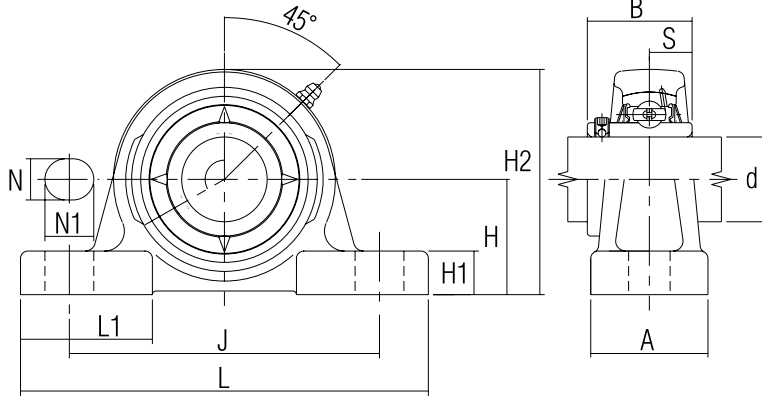
Units: **Millimeters**
INCHES



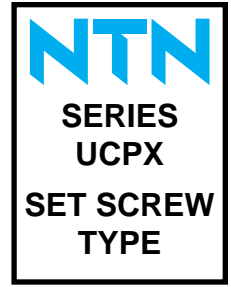
PILLOW BLOCKS - ULTRA CLASS

Part Number	Nominal Dimensions												Bolt Size	Lube Hole of Housing	Insert Bearing Number	Housing Number			
	d	H	L	J	A	N	N1	H1	H2	L1	B	S							
UCPL-1/2	0.5000	27	121	92.1	34.9	11.1	22.2	13	54	40	27.4	11.5	3/8	1/4-28UNF	A-UC201X-008D1	PL201D1V50			
UCPL-9/16	0.5625	1 1/16	4 3/4	3 5/8	1 3/8	7/16	7/8	1/2	2 1/8	1 9/16	1.0787	0.453			A-UC202X-009D1				
UCPL-5/8	0.6250														A-UC202X010D1				
UCPL-11/16	0.6875														A-UC203X-011D1				
UCPL-3/4	0.7500	31.75	127	96	38.1	11.1	19.8	14	64	42	31	12.7	3/8	1/4-28UNF	A-UC204-012D1	PL204D1V50			
		1 1/4	5	3 25/32	1 1/2	7/16	25/32	9/16	2 17/32	1 21/32	1.2205	0.500			A-UC205-013D1				
UCPL-13/16	0.8125	33.3	140	104.8	38.1	11.1	20.6	15	68	42	34.1	14.3			3/8		1/8-27NPT	A-UC205-014D1	PL205D1V50
UCPL-7/8	0.8750	1 3/16	5 1/2	4 1/8	1 1/2	7/16	13/16	19/32	2 11/16	1 21/32	1.3425	0.563						A-UC205-015D1	
UCPL-15/16	0.9375												A-UC205-100D1						
UCPL-1	1.0000																		
UCPL-1 1/16	1.0625	39.7	165	117.5	47.6	14.3	23.8	17	80	54	38.1	15.9	1/2	1/8-27NPT	A-UC206-101D1	PL206D1V50			
UCPL-1 1/8	1.1250	1 9/16	6 1/2	4 5/8	1 7/8	9/16	15/16	21/32	3 5/32	2 1/8	1.5000	0.626			A-UC206-102D1				
UCPL-1 3/16	1.1875														A-UC206-103D1				
UCPL-1 1/4S	1.2500														A-UC206-104D1				
UCPL-1 1/4	1.2500	46	167	130.2	47.6	14.3	24.6	18	91	54	42.9	17.5	1/2	1/8-27NPT	A-UC207-104D1	PL207D1V50			
UCPL-1 5/16	1.3125	1 13/16	6 9/16	5 1/8	1 7/8	9/16	31/32	23/32	3 19/32	2 1/8	1.6890	0.689			A-UC207-105D1				
UCPL-1 3/8	1.3750														A-UC207-106D1				
UCPL-1 7/16	1.4375														A-UC207-107D1				
UCPL-1 1/2	1.5000	49.2	184	136.5	54	14.3	26.2	18	98	52	49.2	19	1/2	1/8-27NPT	A-UC208-108D1	P208D1V50			
UCPL-1 9/16	1.5625	1 15/16	7 1/4	5 3/8	2 1/8	9/16	1 1/32	23/32	3 27/32	2 1/16	1.9370	0.748			A-UC208-109D1				
UCPL-1 5/8	1.6250	54	190	149.2	54	14.3	28.6	20	104	60	49.2	19	1/2	1/8-27NPT	A-UC209-110D1	PL209D1V50			
UCPL-1 11/16	1.6875	2 1/8	7 15/32	5 7/8	2 1/8	9/16	1 1/8	25/32	4 3/32	2 3/8	1.9370	0.748			A-UC209-111D1				
UCPL-1 3/4	1.7500														A-UC209-112D1				
UCPL-1 13/16	1.8125	55.6	206	158	60.3	17.5	23.8	21	112	65	51.6	19	5/8	1/8-27NPT	A-UC210-113D1	PL210D1V50			
UCPL-1 7/8	1.8750	2 3/16	8 1/8	6 7/32	2 3/8	11/16	15/16	13/16	4 13/32	2 9/16	2.0315	0.748			A-UC210-114D1				
UCPL-1 15/16	1.9375														A-UC210-115D1				
UCPL-2S	2.0000														A-UC210-200D1				
UCPL-2	2.0000	61.9	219	176.2	60	18.3	29.4	23	124	65	55.6	22.2	5/8	1/8-27NPT	A-UC211-200D1	PL211D1V50			
UCPL-2 1/16	2.0625	2 7/16	8 5/8	6 15/16	2 3/8	23/32	1 5/32	29/32	4 7/8	2 9/16	2.1890	0.874			A-UC211-201D1				
UCPL-2 1/8	2.1250														A-UC211-202D1				
UCPL-2 3/16	2.1875														A-UC211-203D1				
UCPL-2 1/4	2.2500	68.3	241	188.1	69.9	17.5	29.4	25	136	70	65.1	25.4	5/8	1/8-27NPT	A-UC212-204D1	PL212D1V50			
UCPL-2 5/16	2.3125	2 11/16	9 1/2	7 13/32	2 3/4	11/16	1 5/32	31/32	5 11/32	2 3/4	2.5630	1.000			A-UC212-205D1				
UCPL-2 3/8	2.3750														A-UC212-206D1				
UCPL-2 7/16	2.4375														A-UC212-207D1				
UCPL-2 1/2	2.5000	76.2	265	203.2	70	25	28	27	151	77	65.1	25.4	3/4	1/8-27NPT	A-UC213-208D1	PL213D1V50			
UCPL-2 9/16	2.5625	3	10 7/16	8	2 3/4	31/32	1 3/32	1 1/16	5 15/16	3 1/32	2.563	1			A-UC213-209D1				
UCPL-2 5/8	2.6250	76.2	266	203.2	72.2	20.6	34.9	27	154	77	74.6	30.2	3/4	1/8-27NPT	A-UC214-210D1	PL214D1V50			
UCPL-2 11/16	2.6875	3	10 15/32	8	2 27/32	13/16	1 3/8	1 1/16	6 1/16	3 1/32	2.9370	1.189			A-UC214-211D1				
UCPL-2 3/4	3.7500														A-UC214-212D1				
UCPL-2 13/16	2.8125	84.1	305	241.3	73.8	22.2	31.8	28	165	80	77.8	33.3	3/4	1/8-27NPT	A-UC215-213D1	PL215D1V50			
UCPL-2 7/8	2.8750	3 5/16	12	9 1/2	2 29/32	7/8	1 1/4	1 3/32	6 1/2	3 5/32	3.0630	1.311			A-UC215-214D1				
UCPL-2 15/16	2.9375														A-UC215-215D1				
UCPL-3	3.0000														A-UC215-300D1				

Note: Metric Sizes available. The production and shipment of black oxide coated inserts will be introduced as a rolling change. This is denoted with an M at the end of the current part number. Please consult NTN for availability.



Units: Millimeters
INCHES



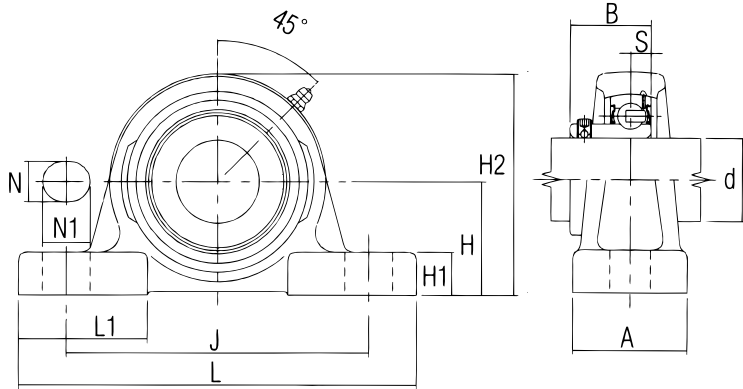
PILLOW BLOCKS - ULTRA CLASS

Part Number	Nominal Dimensions												Bolt Size	Lube Hole of Housing	Insert Bearing Number	Housing Number
	d	H	L	J	A	N	N1	H1	H2	L1	B	S				
UCPX-1 ³ / ₁₆	0.8125	42.9	165	117.5	48	14.3	23.8	17	83	54	38.1	15.9	1/2	1/8-27UNF	A-UCX05-013D1	P206D1V50
UCPX-7/8	0.8750	1 11/16	6 1/2	4 5/8	1 7/8	9/16	15/16	21/32	3 9/32	2 1/8	1.5000	0.626			A-UCX05-014D1	
UCPX-15/16	0.9375														A-UCX05-015D1	
UCPX-1	1.0000														A-UCX05-100D1	
UCPX-1 1/16	1.0625	47.6	167	130.2	48	14.3	24.6	18	93	54	42.9	17.5	1/2	1/8-27UNF	A-UCX06-101D1	P207D1V50
UCPX-1 1/8	1.1250	1 7/8	6 9/16	5 1/8	1 7/8	9/16	31/32	23/32	3 21/32	2 1/8	1.6890	0.689			A-UCX06-102D1	
UCPX-1 3/16	1.1875														A-UCX06-103D1	
UCPX-1 1/4	1.2500	54	179	136.5	48	14.3	26.2	23	105	60	49.2	19	1/2	1/8-27UNF	A-UC207-104D1	PX07D1V50
UCPX-1 5/16	1.3125	2 1/8	7 1/16	5 3/8	1 7/8	9/16	1 1/32	29/32	4 1/8	2 3/8	1.9370	0.748			A-UCX07-105D1	
UCPX-1 3/8	1.3750														A-UCX07-106D1	
UCPX-1 7/16	1.4375														A-UCX07-107D1	
UCPX-1 1/2	1.5000	54	190	149.2	54	14.3	28.6	20	106	60	49.2	19	1/2	1/8-27NPT	A-UCX08-108D1	P209D1V50
UCPX-1 9/16	1.5625	2 1/8	7 15/32	5 7/8	2 1/8	9/16	1 1/8	25/32	4 3/16	2 3/8	1.9370	0.748			A-UCX08-109D1	
UCPX-1 5/8	1.6250	57.2	206	158	60	17.5	23.8	21	114	65	51.6	19	5/8	1/8-27NPT	A-UCX09-110D1	P210D1V50
UCPX-1 11/16	1.6875	2 1/4	8 1/8	6 7/32	2 3/8	11/16	15/16	13/16	4 1/2	2 9/16	2.0315	0.748			A-UCX09-111D1	
UCPX-1 3/4	1.7500														A-UCX09-112D1	
UCPX-1 13/16	1.8125	63.5	219	176.2	60	18.3	29.4	23	126	65	55.6	22.2	5/8	1/8-27NPT	A-UC210-113D1	P211D1V50
UCPX-1 7/8	1.8750	2 1/2	8 5/8	6 15/16	2 3/8	23/32	1 9/32	29/32	4 31/32	2 9/16	2.1890	0.874			A-UCX10-114D1	
UCPX-1 15/16	1.9375														A-UCX10-115D1	
UCPX-2	2.0000														A-UC211-200D1	
UCPX-2 1/16	2.0625	69.8	241	188.1	70	18.3	29.4	25	138	70	65.1	25.4	5/8	1/8-27NPT	A-UCX11-201D1	P212D1V50
UCPX-2 1/8	2.1250	2 3/4	9 1/2	7 13/32	2 3/4	23/32	1 5/32	31/32	5 7/16	2 3/4	2.5630	1.000			A-UCX11-202D1	
UCPX-2 3/16	2.1875														A-UCX11-203D1	
UCPX-2 1/4	2.2500														A-UC212-204D1	
UCPX-2 7/16	2.4375	76.2	266	203.2	72	20.6	34.9	27	154	77	74.6	30.2	3/4	1/8-27NPT	A-UC214-207D1	PL214D1V50
UCPX-2 1/2	2.5000	3	10 15/32	8	2 27/32	13/16	1 3/8	1 1/16	6 1/16	3 1/32	2.9370	1.189			A-UCX13-208D1	
UCPX-2 9/16	2.5625														A-UCX13-209D1	
UCPX-2 5/8	2.6250	88.9	330	228.6	89	23.8	50.8	32	178	95	77.8	33.3	3/4	1/8-27NPT	A-UCX14-210D1	PX14D1V50
UCPX-2 11/16	2.6875	3 1/2	13	9	3 1/2	15/16	2	1 1/4	7	3 3/4	3.0630	1.311			A-UCX14-211D1	
UCPX-2 3/4	2.7500														A-UCX14-212D1	
UCPX-2 13/16	2.8125	88.9	330	228.9	89	23.8	50.8	32	178	95	82.6	33.3	3/4	1/8-27NPT	A-UCX15-213D1	PX15D1V50
UCPX-2 7/8	2.8750	3 1/2	13	9	3 1/2	15/16	2	1 1/4	7	3 3/4	3.2520	1.311			A-UCX15-214D1	
UCPX-2 15/16	2.9375														A-UCX15-215D1	
UCPX-3	3.0000														A-UCX15-300D1	
UCPX-3 3/16	2.1875	101.6	356	278.6	111	23.8	50.8	33	203	110	85.7	34.1	3/4	1/8-27NPT	A-UCX16-303D1	PX16D1V50
		4	14	10 31/32	4 3/8	15/16	2	1 5/16	8	4 11/32	3.3740	1.343				
UCPX-3 7/16	3.4375	101.6	356	278.6	111	23.8	50.8	33	203	110	104	42.9	3/4	1/8-27NPT	A-UCX18-307D1	PX18D1V50
UCPX-3 1/2	3.5000	4	14	10 31/32	4 3/8	15/16	2	1 5/16	8	4 11/32	4.0945	1.689			A-UCX18-308D1	

Note: Metric Sizes available. The production and shipment of black oxide coated inserts will be introduced as a rolling change. This is denoted with an M at the end of the current part number. Please consult NTN for availability.

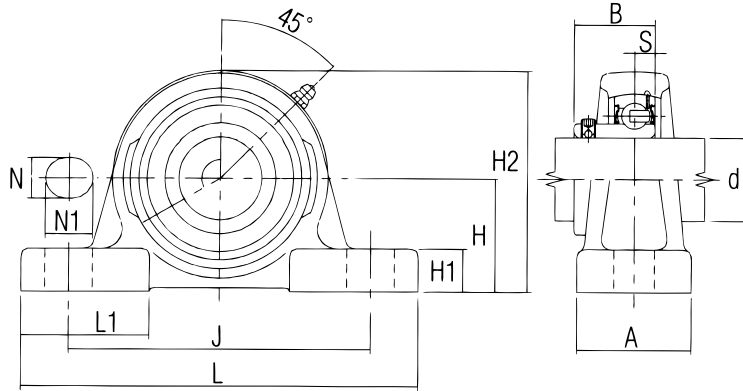


Units: Millimeters
INCHES

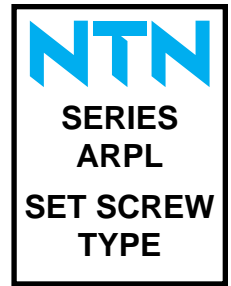


PILLOW BLOCKS - ULTRA CLASS HIGH BASE

Part Number	Nominal Dimensions												Bolt Size	Lube Hole of Housing	Insert Bearing Number	Housing Number	
	d	H	L	J	A	N	N1	H1	H2	L1	B	S					
ARP-1/2	0.5000		127	92.1	38.1	11.1	22.2	14		42				3/8	1/4-28UNF	A-AR201-008D1	P201D1V50
ARP-9/16	0.5625	1 3/16	5	3 5/8	1 1/2	7/16	7/8	9/16	2 7/16	1 21/32	0.8858	0.256				A-AR202-009D1	
ARP-5/8	0.6250															A-AR202-010D1	
ARP-11/16	0.6875															A-AR203-011D1	
ARP-3/4	0.7500	1 5/16	127	96	38.1	11.1	19.8	14	65	42	1.0039	0.295	3/8	1/4-28UNF	A-AR204-012D1	P204D1V50	
ARP-13/16	0.8125		5	3 25/32	1 1/2	7/16	25/32	9/16	2 9/16	1 21/32							
ARP-7/8	0.8750	1 7/16	140	104.8	38.1	11.1	20.6	15		42	1.0630	0.295	3/8	1/8-27NPT	A-AR205-013D1		
ARP-15/16	0.9375		5 1/2	4 1/8	1 1/2	7/16	13/16	19/32	2 25/32	1 21/32							A-AR205-014D1
ARP-1	1.0000															A-AR205-015D1	P205D1V50
ARP-1 1/16	1.0625	1 11/16	165	117.5	47.6	14.3	23.8	17	3 9/32	54	1.1811	0.354	1/2	1/8-27NPT	A-AR206-101D1		
ARP-1 1/8	1.1250		6 1/2	4 5/8	1 7/8	9/16	15/16	21/32	3 3/32	2 1/8						A-AR206-102D1	
ARP-1 3/16	1.1875															A-AR206-103D1	
ARP-1 1/4	1.2500	1 7/8	167	130.2	47.6	14.3	24.6	18	3 21/32	54	1.3780	0.374	1/2	1/8-27NPT	A-AR207-104D1	P207D1V50	
ARP-1 5/16	1.3125		6 9/16	5 1/8	1 7/8	9/16	31/32	23/32	3 27/32	2 1/8							A-AR207-105D1
ARP-1 3/8	1.3750																A-AR207-106D1
ARP-1 7/16	1.4375																A-AR207-107D1
ARP-1 1/2	1.5000	1 15/16	184	136.5	54	14.3	26.2	18	3 27/32	52	1.5748	0.433	1/2	1/8-27NPT	A-AR208-108D1	P208D1V50	
ARP-1 9/16	1.5625		7 1/4	5 3/8	2 1/8	9/16	1 1/32	23/32	3 27/32	2 1/16							A-AR208-109D1
ARP-1 5/8	1.6250	2 1/8	190	149.2	54	14.3	28.6	20	4 3/16	60	1.6339	0.433	1/2	1/8-27NPT	A-AR209-110D1	P209D1V50	
ARP-1 11/16	1.6875		7 15/32	5 7/8	2 1/8	9/16	1 1/8	25/32	4 3/16	2 3/8							A-AR209-111D1
ARP-1 3/4	1.7500																A-AR209-112D1
ARP-1 13/16	1.8125	2 1/4	206	158	60.3	17.5	23.8	21	4 1/2	65	1.6929	0.433	5/8	1/8-27NPT	A-AR210-113D1	P210D1V50	
ARP-1 7/8	1.8750		8 1/8	6 7/32	2 3/8	11/16	19/16	13/16	4 1/2	2 9/16							A-AR210-114D1
ARP-1 15/16	1.9375																A-AR210-115D1
ARP-2S	2.0000																A-AR210-200D1
ARP-2	2.0000	2 1/2	219	176.2	60	18.3	29.4	23	4 31/32	65	1.6929	0.472	5/8	1/8-27NPT	A-AR211-200D1	P211D1V50	
ARP-2 1/16	2.0625		8 5/8	6 15/16	2 3/8	23/32	1 5/32	29/32	4 31/32	2 9/16							A-AR211-201D1
ARP-2 1/8	2.1250																A-AR211-202D1
ARP-2 3/16	2.1875																A-AR211-203D1



Units: Millimeters
INCHES

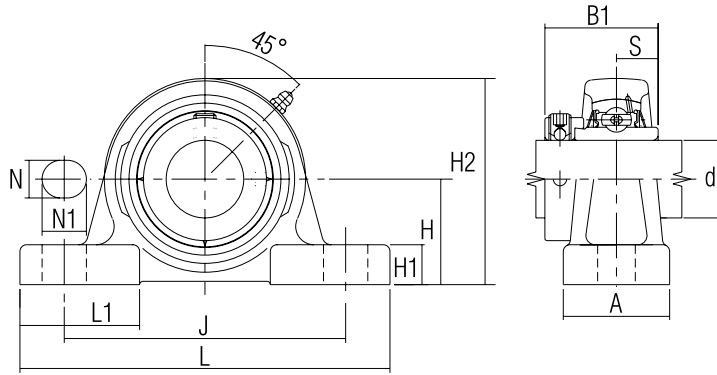


PILLOW BLOCKS - ULTRA CLASS LOW BASE

Part Number	Nominal Dimensions												Bolt Size	Lube Hole of Housing	Insert Bearing Number	Housing Number
	d	H	L	J	A	N	N1	H1	H2	L1	B	S				
ARPL-1/2	0.5000	27	121	92.1	34.9	11.1	22.2	13	54	40			3/8	1/4-28UNF	A-AR201-008D1	PL201D1V50
ARPL-9/16	0.5625	1 1/16	4 3/4	3 5/8	1 3/8	7/16	7/8	1/2	2 1/8	1 9/16	0.8858	0.256	3/8		A-AR202-009D1	
ARPL-5/8	0.6250														A-AR202-010D1	
ARPL-11/16	0.6875														A-AR203-011D1	
ARPL-3/4	0.7500	31.75	127	96	38.1	11.1	19.8	14	64	42			3/8	1/4-28UNF	A-AR204-012D1	PL204D1V50
		1 1/4	5	3 29/32	1 1/2	7/16	29/32	9/16	2 17/32	1 21/32	1.0039	0.295				
ARPL-13/16	0.8125	33.3	140	104.8	38.1	11.1	20.6	15	68	42			3/8	1/8-27NPT	A-AR205-013D1	PL205D1V50
ARPL-7/8	0.8750	1 5/16	5 1/2	4 1/8	1 1/2	7/16	13/16	19/32	2 11/16	1 21/32	1.0630	0.295			A-AR205-014D1	
ARPL-15/16	0.9375														A-AR205-015D1	
ARPL-1	1.0000														A-AR205-100D1	
ARPL-1 1/16	1.0625	39.7	165	117.5	47.6	14.3	23.8	17	80	54			1/2	1/8-27NPT	A-AR206-101D1	PL206D1V50
ARPL-1 1/8	1.1250	1 9/16	6 1/2	4 5/8	1 7/8	9/16	15/16	21/32	3 5/32	2 1/8	1.1811	0.354			A-AR206-102D1	
ARPL-1 3/16	1.1875														A-AR206-103D1	
ARPL-1 1/4	1.2500														A-AR206-104D1	
ARPL-1 1/4	1.2500	46	167	130.2	47.6	14.3	24.6	18	91	54			1/2	1/8-27NPT	A-AR207-104D1	PL207D1V50
ARPL-1 5/16	1.3125	1 13/16	6 9/16	5 1/8	1 7/8	9/16	31/32	23/32	3 19/32	2 1/8	1.3780	0.374			A-AR207-105D1	
ARPL-1 3/8	1.3750														A-AR207-106D1	
ARPL-1 7/16	1.4375														A-AR207-107D1	
ARPL-1 1/2	1.5000	49.2	184	136.5	54	14.3	26.2	18	98	52			1/2	1/8-27NPT	A-AR208-108D1	P208D1V50
ARPL-1 9/16	1.5625	1 15/16	7 1/4	5 3/8	2 1/8	9/16	1 1/2	23/32	3 27/32	2 1/16	1.5748	0.374			A-AR208-109D1	
ARPL-1 5/8	1.6250	52.4	190	149.2	54	14.3	28.6	20	104	60			1/2	1/8-27NPT	A-AR209-110D1	PL209D1V50
ARPL-1 11/16	1.6875	2 1/16	7 15/32	5 7/8	2 1/8	9/16	1 1/8	25/32	4 3/32	2 3/8	1.6339	0.433			A-AR209-111D1	
ARPL-1 3/4	1.7500														A-AR209-112D1	
ARPL-1 13/16	1.8125	55.6	206	158	60.3	17.5	23.8	21	112	65			5/8	1/8-27NPT	A-AR210-113D1	PL210D1V50
ARPL-1 7/8	1.8750	2 3/16	8 1/8	6 7/32	2 3/8	11/16	15/16	13/16	4 13/32	2 9/16	1.6929	0.433			A-AR210-114D1	
ARPL-1 15/16	1.9375														A-AR210-115D1	
ARPL-2S	2.0000														A-AR210-200D1	
ARPL-2	2.0000	61.9	219	176.2	60	18.3	29.4	23	124	65			5/8	1/8-27NPT	A-AR211-200D1	PL211D1V50
ARPL-2 1/16	2.0625	2 7/16	8 5/8	6 15/16	2 3/8	23/32	1 5/32	29/32	4 7/8	2 9/16	1.6929	0.472			A-AR211-201D1	
ARPL-2 1/8	2.1250														A-AR211-202D1	
ARPL-2 3/16	2.1875														A-AR211-203D1	

NTN
SERIES
UELP
ECCENTRIC
LOCKING
COLLAR
TYPE

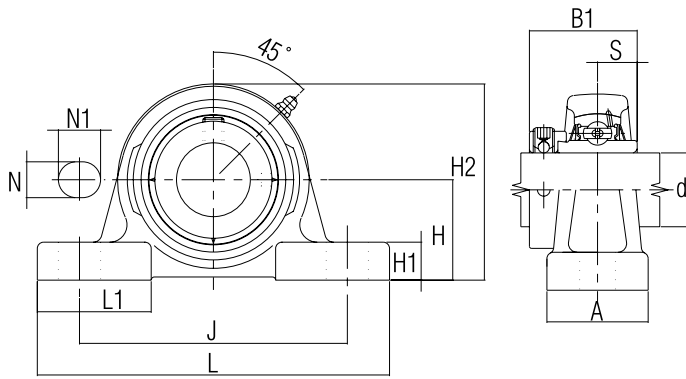
Units: **Millimeters**
INCHES



PILLOW BLOCKS - ULTRA CLASS

Part Number	Nominal Dimensions												Bolt Size	Lube Hole of Housing	Insert Bearing Number	Housing Number
	d	H	L	J	A	N	N1	H1	H2	L1	B1	S				
UELP-1/2	0.5000	30.2	127	92.1	38	11.1	22.2	14	62	42	37.3	12.4	3/8	1/4-28UNF	A-UEL201-008D1	P201D1V50
UELP-9/16	0.5625	1 3/16	5	3 5/8	1 1/2	7/16	7/8	9/16	2 7/16	1 21/32	1.469	0.488			A-UEL202-009D1	
UELP-5/8	0.6250														A-UEL202-010D1	
UELP-11/16	0.6875														A-UEL203-011D1	
UELP-3/4	0.7500	33.3	127	96	38	11.1	19.8	14	65	42	43.7	17.1	3/8	1/4-28UNF	A-UEL204-012D1	P204D1V50
		1 5/16	5	3 25/32	1 1/2	7/16	25/32	9/16	2 9/16	1 21/32	1.720	0.673				
UELP-13/16	0.8125	36.5	140	104.8	38	11.1	20.6	15	71	42	44.4	17.5	3/8	1/8-27NPT	A-UEL205-013D1	P205D1V50
UELP-7/8	0.8750	1 7/16	5 1/2	4 1/8	1 1/2	7/16	13/16	19/32	2 25/32	1 21/32	1.748	0.689			A-UEL205-014D1	
UELP-15/16	0.9375														A-UEL205-015D1	
UELP-1	1.0000														A-UEL205-100D1	
UELP-1 1/16	1.0625	42.9	165	117.5	48	14.3	23.8	17	83	54	48.4	18.3	1/2	1/8-27NPT	A-UEL206-101D1	P206D1V50
UELP-1 1/8	1.1250	1 11/16	6 1/2	4 5/8	1 7/8	9/16	15/16	21/32	3 9/32	2 1/8	1.906	0.720			A-UEL206-102D1	
UELP-1 3/16	1.1875														A-UEL206-103D1	
UELP-1 1/4S	1.2500														A-UEL206-104D1	
UELP-1 1/4	1.2500	47.6	167	130.2	48	14.3	24.6	18	93	54	51.1	18.8	1/2	1/8-27NPT	A-UEL207-104D1	P207D1V50
UELP-1 5/16	1.3125	1 7/8	6 9/16	5 1/8	1 7/8	9/16	31/32	23/32	3 21/32	2 1/8	2.012	0.740			A-UEL207-105D1	
UELP-1 3/8	1.3750														A-UEL207-106D1	
UELP-1 7/16	1.4375														A-UEL207-107D1	
UELP-1 1/2	1.5000	49.2	184	136.5	54	14.3	26.2	18	98	52	56.3	21.4	1/2	1/8-27NPT	A-UEL208-108D1	P208D1V50
UELP-1 9/16	1.5625	1 15/16	7 1/4	5 3/8	2 1/8	9/16	1 1/32	23/32	3 27/32	2 1/16	2.217	0.843			A-UEL208-109D1	
UELP-1 5/8	1.6250	54	190	149.2	54	14.3	28.6	20	106	60	56.3	21.4	1/2	1/8-27NPT	A-UEL209-110D1	P209D1V50
UELP-1 11/16	1.6875	2 1/8	7 15/32	5 7/8	2 1/8	9/16	1 1/8	25/32	4 3/16	2 3/8	2.217	0.843			A-UEL209-111D1	
UELP-1 3/4	1.7500														A-UEL209-112D1	
UELP-1 13/16	1.8125	57.2	206	158	60	17.5	23.8	21	114	65	62.7	24.6	5/8	1/8-27NPT	A-UEL210-113D1	P210D1V50
UELP-1 7/8	1.8750	2 1/4	8 1/8	6 7/32	2 3/8	11/16	15/16	13/16	4 1/2	2 9/16	2.469	0.969			A-UEL210-114D1	
UELP-1 15/16	1.9375														A-UEL210-115D1	
UELP-2S	2.0000														A-UEL210-200D1	
UELP-2	2.0000	63.5	219	176.2	60	18.3	29.4	23	126	65	71.4	27.8	5/8	1/8-27NPT	A-UEL211-200D1	P211D1V50
UELP-2 1/16	2.0625	2 1/2	8 5/8	6 15/16	2 3/8	23/32	1 5/32	29/32	4 31/32	2 9/16	2.811	1.094			A-UEL211-201D1	
UELP-2 1/8	2.1250														A-UEL211-202D1	
UELP-2 3/16	2.1875														A-UEL211-203D1	
UELP-2 1/4	2.2500	69.8	241	188.1	70	18.3	29.4	25	138	70	77.8	31.0	5/8	1/8-27NPT	A-UEL212-204D1	P212D1V50
UELP-2 5/16	2.3125	2 3/4	9 1/2	7 13/32	2 3/4	23/32	1 5/32	31/32	5 7/16	2 3/4	3.063	1.220			A-UEL212-205D1	
UELP-2 3/8	2.3750														A-UEL212-206D1	
UELP-2 7/16	2.4375														A-UEL212-207D1	
UELP-2 1/2	2.5	76.2	265	203	70	25	28	27	151	77	85.7	34.15	3/4	1/8-27NPT	A-UEL213-208D1	P213D1V50
UELP-2 9/16	2.5625	3	10 7/16	8	2 3/4	31/32	1 3/32	1 1/16	5 5/16	3 1/32	3.374	1.344			A-UEL213-209D1	
UELP-2 5/8R	2.625	79.4	266	210	72	25	28	27	157	77	85.7	34.15	3/4	1/8-27NPT	A-UEL214-210D1	P214D1V50
UELP-2 11/16R	2.6875	3 1/8	10 15/32	8 9/32	2 5/8	31/32	1 3/32	1 1/16	6 3/16	3 1/32	3.374	1.344			A-UEL214-211D1	
UELP-2 3/4R	2.75														A-UEL214-212D1	
UELP-2 13/16	2.8125	82.6	275	215.9	74	22.2	31.8	28	163	80	92	37.3	3/4	1/8-27NPT	A-UEL215-213D1	P215D1V50
UELP-2 7/8	2.8750	3 1/4	10 13/16	8 1/2	2 29/32	7/8	1 1/4	1 3/32	6 13/32	3 5/32	3.622	1.469			A-UEL215-214D1	
UELP-2 15/16	2.9375														A-UEL215-215D1	
UELP-3	3.0000														A-UEL215-300D1	

Note: Metric Sizes available. The production and shipment of black oxide coated inserts will be introduced as a rolling change. This is denoted with an M at the end of the current part number. Please consult NTN for availability.



Units: Millimeters
INCHES



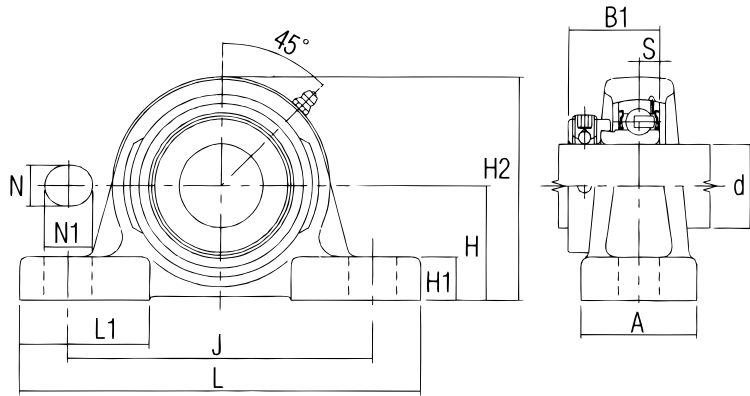
PILLOW BLOCKS - ULTRA CLASS

Part Number	Nominal Dimensions												Bolt Size	Lube Hole of Housing	Insert Bearing Number	Housing Number
	d	H	L	J	A	N	N1	H1	H2	L1	B1	S				
UELPL-1/2	0.5000	27	121	92.1	34.9	11.1	22.2	13	54	40	37.3	12.4	3/8	1/4-28UNF	A-UEL201-008D1 A-UEL202-009D1 A-UEL202-010D1 A-UEL203-011D1	PL201D1V50
UELPL-3/16	0.5625	1 1/16	4 3/4	3 5/8	1 3/8	7/16	7/8	1/2	2 1/8	1 9/16	1.469	0.488				
UELPL-5/8	0.6250															
UELPL-11/16	0.6875															
UELPL-3/4	0.7500	31.75	127	96	38.1	11.1	19.8	14	64	42	43.7	17.1	3/8	1/4-28UNF	A-UEL204-012D1	PL204D1V50
		1 1/4	5	3 25/32	1 1/2	7/16	25/32	9/16	2 17/32	1 21/32	1.720	0.673				
UELPL-13/16	0.8125	33.3	140	104.8	38.1	11.1	20.6	15	68	42	44.4	17.5				
UELPL-7/8	0.8750	1 5/16	5 1/2	4 1/8	1 1/2	7/16	13/16	19/32	2 11/16	1 21/32	1.748	0.689				
UELPL-15/16	0.9375												1/2	1/8-27NPT	A-UEL205-013D1 A-UEL205-014D1 A-UEL205-015D1 A-UEL205-100D1	PL205D1V50
UELPL-1	1.0000															
UELPL-1 1/16	1.0625	39.7	165	117.5	47.6	14.3	23.8	17	80	54	48.4	18.3				
UELPL-1 1/8	1.1250	1 9/16	6 1/2	4 5/8	1 7/8	9/16	15/16	21/32	3 5/32	2 1/8	1.906	0.720				
UELPL-1 3/16	1.1875												1/2	1/8-27NPT	A-UEL206-101D1 A-UEL206-102D1 A-UEL206-103D1 A-UEL206-104D1	PL206D1V50
UELPL-1 1/4	1.2500	46	167	130.2	47.6	14.3	24.6	18	91	54	51.1	18.8				
UELPL-1 5/16	1.3125	1 13/16	6 9/16	5 1/8	1 7/8	9/16	31/32	23/32	3 19/32	2 1/8	2.012	0.740				
UELPL-1 3/8	1.3750															
UELPL-1 7/16	1.4375												1/2	1/8-27NPT	A-UEL207-104D1 A-UEL207-105D1 A-UEL207-106D1 A-UEL207-107D1	PL207D1V50
UELPL-1 1/2	1.5000	49.2	184	136.5	54	14.3	26.2	18	98	52	56.3	21.4				
UELPL-1 9/16	1.5625	1 15/16	7 1/4	5 3/8	2 1/8	9/16	1 1/32	23/32	3 27/32	2 1/16	2.217	0.843				
UELPL-1 5/8	1.6250	54	190	149.2	54	14.3	28.6	20	104	60	56.3	21.4	1/2	1/8-27NPT	A-UEL208-108D1 A-UEL208-109D1	P208D1V50
UELPL-1 11/16	1.6875	2 1/8	7 15/32	5 7/8	2 1/8	9/16	1 1/8	25/32	4 3/32	2 3/8	2.217	0.843				
UELPL-1 3/4	1.7500															
UELPL-1 13/16	1.8125	55.6	206	158	60.3	17.5	23.8	21	112	65	62.7	24.6	5/8	1/8-27NPT	A-UEL209-110D1 A-UEL209-111D1 A-UEL209-112D1	PL209D1V50
UELPL-1 7/8	1.8750	2 3/16	8 1/8	6 7/32	2 3/8	11/16	15/16	13/16	4 13/32	2 9/16	2.469	0.969				
UELPL-1 15/16	1.9375															
UELPL-2S	2.0000															
UELPL-2	2.0000	61.9	219	176.2	60	18.3	29.4	23	124	65	71.4	27.8	5/8	1/8-27NPT	A-UEL211-200D1 A-UEL211-201D1 A-UEL211-202D1 A-UEL211-203D1	PL211D1V50
UELPL-2 1/16	2.0625	2 7/16	8 5/8	6 15/16	2 3/8	23/32	1 5/32	29/32	4 7/8	2 9/16	2.811	1.094				
UELPL-2 1/8	2.1250															
UELPL-2 3/16	2.1875															
UELPL-2 1/4	2.2500	68.3	241	188.1	69.9	17.5	29.4	25	136	70	77.8	31.0	5/8	1/8-27NPT	A-UEL212-204D1 A-UEL212-205D1 A-UEL212-206D1 A-UEL212-207D1	PL212D1V50
UELPL-2 5/16	2.3125	2 11/16	9 1/2	7 13/32	2 3/4	1 1/16	1 5/32	31/32	5 11/32	2 3/4	3.063	1.220				
UELPL-2 3/8	2.3750															
UELPL-2 7/16	2.4375															
UELPL-2 1/2	2.5000	76.2	265	203.2	70	25	28	27	151	77	85.7	34.15	3/4	1/8-27NPT	A-UEL213-208D1 A-UEL213-209D1	PL213D1V50
UELPL-2 9/16	2.5625	3	10 15/32	8	2 3/4	31/32	1 3/32	1 1/16	5 15/16	3 1/32	3.374	1.344				
UELPL-2 5/8	2.6250	76.2	266	203.2	72.2	20.6	34.9	27	154	77	85.7	34.1	3/4	1/8-27NPT	A-UEL214-210D1 A-UEL214-211D1 A-UEL214-212D1	PL214D1V50
UELPL-2 11/16	2.6875	3	10 15/32	8	2 27/32	13/16	1 3/8	1 1/16	6 1/16	3 1/32	3.374	1.344				
UELPL-2 3/4	2.7500															
UELPL-2 13/16	2.8125	84.1	305	241.3	73.8	22.2	31.8	28	165	80	92	37.3	3/4	1/8-27NPT	A-UEL215-213D1 A-UEL215-214D1 A-UEL215-215D1 A-UEL215-300D1	PL215D1V50
UELPL-2 7/8	2.8750	3 5/16	12	9 1/2	2 29/32	7/8	1 1/4	1 3/32	6 1/2	3 5/32	3.622	1.469				
UELPL-2 15/16	2.9375															
UELPL-3	3.0000															

Note: Metric Sizes available. The production and shipment of black oxide coated inserts will be introduced as a rolling change. This is denoted with an M at the end of the current part number. Please consult NTN for availability.

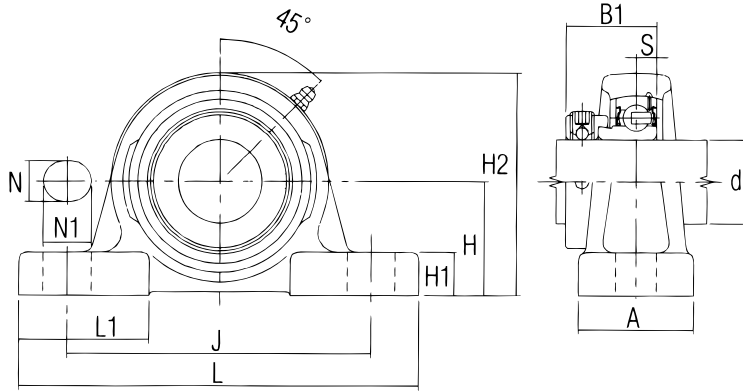
NTN
SERIES
JELP
ECCENTRIC
LOCKING
COLLAR
TYPE

Units: **Millimeters**
INCHES



PILLOW BLOCKS - ULTRA CLASS HIGH BASE

Part Number	Nominal Dimensions												Bolt Size	Lube Hole of Housing	Insert Bearing Number	Housing Number
	d	H	L	J	A	N	N1	H1	H2	L1	B1	S				
JELP-1/2	0.5000		127	92.1	38.1	11.1	22.2	14		42	1.126	0.256	3/8	1/4-28UNF	A-JEL201-008D1	PL201D1V50
JELP-9/16	0.5625	1 3/16	5	3 5/8	1 1/2	7/16	7/8	9/16	2 7/16	1 21/32					A-JEL202-009D1	
JELP-5/8	0.6250														A-JEL202-010D1	
JELP-11/16	0.6875														A-JEL203-011D1	
JELP-3/4	0.7500	1 5/16	127	96	38.1	11.1	19.8	14		42	1.220	0.295	3/8	1/4-28UNF	A-JEL204-012D1	PL204D1V50
JELP-13/16	0.8125	1 7/16	140	104.8	38.1	11.1	20.6	15		42	1.220	0.295	3/8	1/8-27NPT	A-JEL205-013D1	PL205D1V50
JELP-7/8	0.8750		5 1/2	4 1/8	1 1/2	7/16	13/16	19/32	2 25/32	1 21/32					A-JEL205-014D1	
JELP-15/16	0.9375														A-JEL205-015D1	
JELP-1	1.0000														A-JEL205-100D1	
JELP-1 1/16	1.0625	1 11/16	165	117.5	47.6	14.3	23.8	17		54	1.406	0.354	1/2	1/8-27NPT	A-JEL206-101D1	PL206D1V50
JELP-1 1/8	1.1250		6 1/2	4 5/8	1 7/8	9/16	15/16	21/32	3 9/32	2 1/8					A-JEL206-102D1	
JELP-1 3/16	1.1875														A-JEL206-103D1	
JELP-1 1/4S	1.2500														A-JEL206-104D1	
JELP-1 1/4	1.2500	1 7/8	167	130.2	47.6	14.3	24.6	18		54	1.531	0.374	1/2	1/8-27NPT	A-JEL207-104D1	PL207D1V50
JELP-1 5/16	1.3125		6 9/16	5 1/8	1 7/8	9/16	31/32	23/32	3 21/32	2 1/8					A-JEL207-105D1	
JELP-1 3/8	1.3750														A-JEL207-106D1	
JELP-1 7/16	1.4375														A-JEL207-107D1	
JELP-1 1/2	1.5000	1 15/16	184	136.5	54	14.3	26.2	18		52	1.720	0.433	1/2	1/8-27NPT	A-JEL208-108D1	PL208D1V50
JELP-1 9/16	1.5625		7 1/4	5 3/8	2 1/8	9/16	1 1/32	23/32	3 27/32	2 1/16					A-JEL208-109D1	
JELP-1 5/8	1.6250	2 1/8	190	149.2	54	14.3	28.6	20		60	1.720	0.433	1/2	1/8-27NPT	A-JEL209-110D1	PL209D1V50
JELP-1 11/16	1.6875		7 15/32	5 7/8	2 1/8	9/16	1 1/8	25/32	4 3/16	2 3/8					A-JEL209-111D1	
JELP-1 3/4	1.7500														A-JEL209-112D1	
JELP-1 13/16	1.8125	2 1/4	206	158	60.3	17.5	23.8	21		65	1.720	0.433	5/8	1/8-27NPT	A-JEL210-113D1	PL210D1V50
JELP-1 7/8	1.8750		8 1/8	6 7/32	2 3/8	11/16	19/16	13/16	4 1/2	2 9/16					A-JEL210-114D1	
JELP-1 15/16	1.9375														A-JEL210-115D1	
JELP-2S	2.0000														A-JEL210-200D1	
JELP-2	2.0000	2 1/2	219	176.2	60	18.3	29.4	23		65	1.906	0.472	5/8	1/8-27NPT	A-JEL211-200D1	PL211D1V50
JELP-2 1/16	2.0625		8 5/8	6 15/16	2 3/8	23/32	1 5/32	29/32	4 31/32	2 9/16					A-JEL211-201D1	
JELP-2 1/8	2.1250														A-JEL211-202D1	
JELP-2 3/16	2.1875														A-JEL211-203D1	

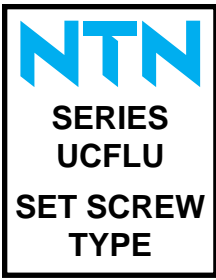


Units: Millimeters
INCHES

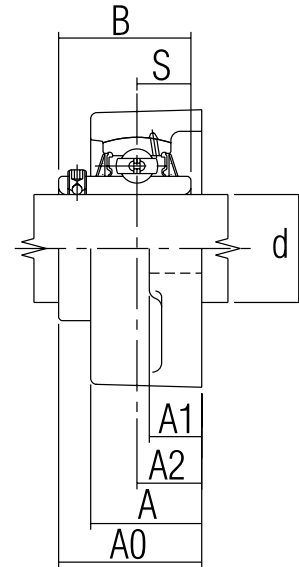
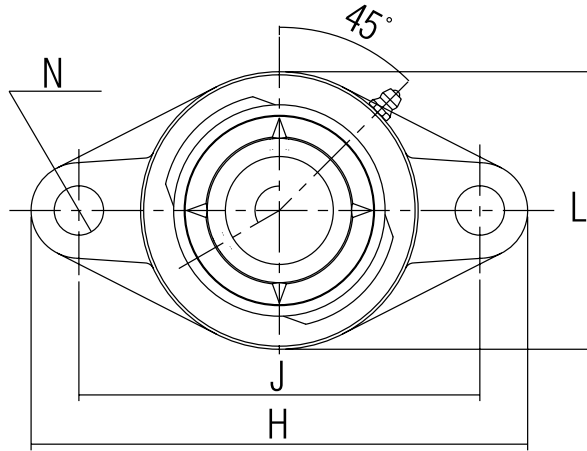


PILLOW BLOCKS - ULTRA CLASS LOW BASE

Part Number	Nominal Dimensions												Bolt Size	Lube Hole of Housing	Insert Bearing Number	Housing Number
	d	H	L	J	A	N	N1	H1	H2	L1	B1	S				
JELPL-1/2	0.5000	27	121	92.1	34.9	11.1	22.2	13	54	40			3/8	1/4-28UNF	A-JEL201-008D1	PL201D1V50
JELPL-9/16	0.5625	1 1/16	4 3/4	3 5/8	1 3/8	7/16	7/8	1/2	2 1/8	1 9/16	1.126	0.256			A-JEL202-009D1	
JELPL-5/8	0.6250														A-JEL202-010D1	
JELPL-11/16	0.6875														A-JEL203-011D1	
JELPL-3/4	0.7500	31.75	127	96	38.1	11.1	19.8	14	64	42			3/8	1/4-28UNF	A-JEL204-012D1	PL204D1V50
		1 1/4	5	3 29/32	1 1/2	7/16	29/32	9/16	2 17/32	1 21/32	1.220	0.295				
JELPL-13/16	0.8125	33.3	140	104.8	38.1	11.1	20.6	15	68	42			3/8	1/8-27NPT	A-JEL205-013D1	PL205D1V50
JELPL-7/8	0.8750	1 5/16	5 1/2	4 1/8	1 1/2	7/16	13/16	19/32	2 11/16	1 21/32	1.220	0.295			A-JEL205-014D1	
JELPL-15/16	0.9375														A-JEL205-015D1	
JELPL-1	1.0000														A-JEL205-100D1	
JELPL-1 1/16	1.0625	39.7	165	117.5	47.6	14.3	23.8	17	80	54			1/2	1/8-27NPT	A-JEL206-101D1	PL206D1V50
JELPL-1 1/8	1.1250	1 9/16	6 1/2	4 5/8	1 7/8	9/16	15/16	21/32	3 5/32	2 1/8	1.406	0.354			A-JEL206-102D1	
JELPL-1 3/16	1.1875														A-JEL206-103D1	
JELPL-1 1/4	1.2500														A-JEL206-104D1	
JELPL-1 1/4	1.2500	46	167	130.2	47.6	14.3	24.6	18	91	54			1/2	1/8-27NPT	A-JEL207-104D1	PL207D1V50
JELPL-1 5/16	1.3125	1 13/16	6 9/16	5 1/8	1 7/8	9/16	31/32	23/32	3 19/32	2 1/8	1.531	0.374			A-JEL207-105D1	
JELPL-1 3/8	1.3750														A-JEL207-106D1	
JELPL-1 7/16	1.4375														A-JEL207-107D1	
JELPL-1 1/2	1.5000	49.2	184	136.5	54	14.3	26.2	18	98	52			1/2	1/8-27NPT	A-JEL208-108D1	P208D1V50
JELPL-1 9/16	1.5625	1 15/16	7 1/4	5 3/8	2 1/8	9/16	1 1/2	23/32	3 27/32	2 1/16	1.720	0.374			A-JEL208-109D1	
JELPL-1 5/8	1.6250	52.4	190	149.2	54	14.3	28.6	20	104	60			1/2	1/8-27NPT	A-JEL209-110D1	PL209D1V50
JELPL-1 11/16	1.6875	2 1/16	7 15/32	5 7/8	2 1/8	9/16	1 1/8	25/32	4 3/32	2 3/8	1.720	0.433			A-JEL209-111D1	
JELPL-1 3/4	1.7500														A-JEL209-112D1	
JELPL-1 13/16	1.8125	55.6	206	158	60.3	17.5	23.8	21	112	65			5/8	1/8-27NPT	A-JEL210-113D1	PL210D1V50
JELPL-1 7/8	1.8750	2 3/16	8 1/8	6 7/32	2 3/8	11/16	15/16	13/16	4 13/32	2 9/16	1.720	0.433			A-JEL210-114D1	
JELPL-1 15/16	1.9375														A-JEL210-115D1	
JELPL-2S	2.0000														A-JEL210-200D1	
JELPL-2	2.0000	61.9	219	176.2	60	18.3	29.4	23	124	65			5/8	1/8-27NPT	A-JEL211-200D1	PL211D1V50
JELPL-2 1/16	2.0625	2 7/16	8 5/8	6 15/16	2 3/8	23/32	1 5/32	29/32	4 7/8	2 9/16	1.906	0.472			A-JEL211-201D1	
JELPL-2 1/8	2.1250														A-JEL211-202D1	
JELPL-2 3/16	2.1875														A-JEL211-203D1	



Units: Millimeters
INCHES

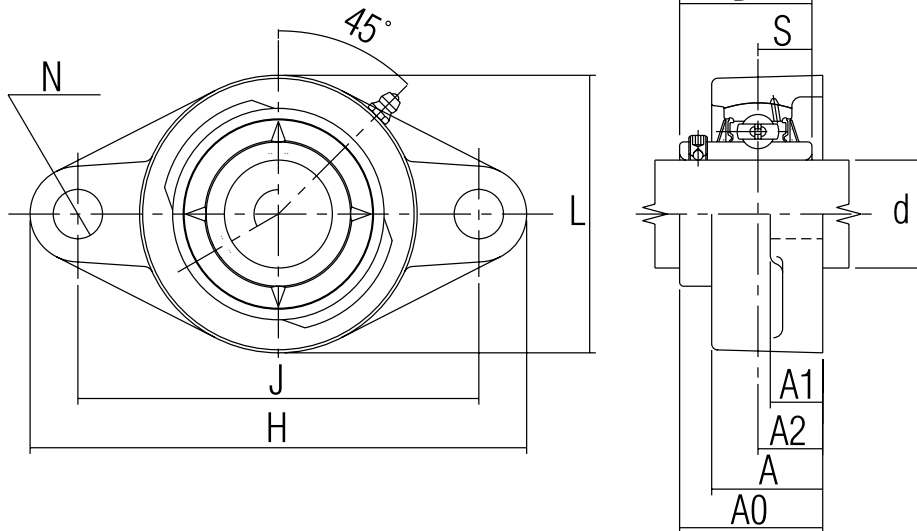
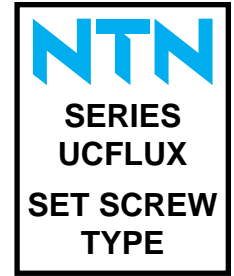


FLANGED UNITS - ULTRA CLASS CAST IRON HOUSING (2 BOLT)

Part Number	Nominal Dimensions											Lube Hole of Housing	Insert Bearing Number	Housing Number		
	d	H	J	A2	A1	A	N	L	A0	B	S					
UCFLU-1/2	0.5000	98	76	17	13	28	9.9	61	32.9	27.4	11.5	1/4-28UNF	A-UC201X-008D1	FLU201D1V50		
UCFLU-9/16	0.5625	3 27/32	3	21/32	33/64	1 7/64	25/64	2 13/32	1 19/64	1.0787	0.453		A-UC202X-009D1			
UCFLU-5/8	0.6250												A-UC202X-010D1			
UCFLU-11/16	0.6875												A-UC203X-011D1			
UCFLU-3/4	0.7500	113	90	19	15	29.5	10.7	61	37.3	31	12.7	1/4-28UNF	A-UC204-012D1	FLU204D1V50		
		4 7/16	3 17/32	3/4	19/32	1 5/32	27/64	2 13/32	1 15/32	1.2205	0.500					
UCFLU-13/16	0.8125	125	99	19	15	30	11.9	70	38.9	34.1	14.3		1/8-27NPT		A-UC205-013D1	FLU205D1V50
UCFLU-7/8	0.8750	4 29/32	3 57/64	3/4	19/32	1 3/16	15/32	2 3/4	1 17/32	1.3425	0.563				A-UC205-014D1	
UCFLU-15/16	0.9375											A-UC205-015D1				
UCFLU-1	1.0000											A-UC205-100D1				
UCFLU-1 1/16	1.0625	142	116.5	20	16	33	11.5	83	42.1	38.1	15.9	1/8-27NPT	A-UC206-101D1	FLU206D1V50		
UCFLU-1 1/8	1.1250	5 19/32	4 19/32	25/32	5/8	1 5/16	29/64	3 9/32	1 21/32	1.5000	0.626		A-UC206-102D1			
UCFLU-1 3/16	1.1875												A-UC206-103D1			
UCFLU-1 1/4S	1.2500												A-UC206-104D1			
UCFLU-1 1/4	1.2500	156	130	21	17	36	14.3	96	46.4	42.9	17.5	1/8-27NPT	A-UC207-104D1	FLU207D1V50		
UCFLU-1 5/16	1.3125	6 5/32	5 1/8	53/64	21/32	1 13/32	9/16	3 25/32	1 53/64	1.6890	0.689		A-UC207-105D1			
UCFLU-1 3/8	1.3750												A-UC207-106D1			
UCFLU-1 7/16	1.4375												A-UC207-107D1			
UCFLU-1 1/2	1.5000	172	143.5	24	17	39	13.1	105	54.4	49.2	19	1/8-27NPT	A-UC208-108D1	FLU208D1V50		
UCFLU-1 9/16	1.5625	6 25/32	5 21/32	15/16	21/32	1 13/32	33/64	4 1/8	2 9/64	1.9370	0.748		A-UC208-109D1			
UCFLU-1 5/8	1.6250	183	148.5	24	18	40	13.1	111	54.4	49.2	19	1/8-27NPT	A-UC208-110D1	FLU209D1V50		
UCFLU-1 11/16	1.6875	7 3/32	5 27/32	15/16	23/32	1 9/16	33/64	4 3/8	2 9/64	1.9370	0.748		A-UC209-111D1			
UCFLU-1 3/4	1.7500												A-UC209-112D1			
UCFLU-1 13/16	1.8125	190	157	28	20	46	17.1	116	60.7	51.6	19	1/8-27NPT	A-UC210-113D1	FLU209D1V50		
UCFLU-1 7/8	1.8750	7 15/32	6 3/16	1 7/64	25/32	1 13/16	43/64	4 9/16	2 25/64	2.0315	0.748		A-UC210-114D1			
UCFLU-1 15/16	1.9375												A-UC210-115D1			
UCFLU-2S	2.0000												A-UC210-200D1			
UCFLU-2	2.0000	217	184	31	20.5	49	17.1	134	64.3	55.6	22.2	1/8-27NPT	A-UC211-200D1	FLU211D1V50		
UCFLU-2 1/16	2.0625	8 17/32	7 1/4	1 1/32	13/16	1 15/16	43/64	5 5/32	2 17/32	2.1890	0.874		A-UC211-201D1			
UCFLU-2 1/8	2.1250												A-UC211-202D1			
UCFLU-2 3/16	2.1875												A-UC211-203D1			

Note: Metric Sizes available. The production and shipment of black oxide coated inserts will be introduced as a rolling change. This is denoted with an M at the end of the current part number. Please consult NTN for availability.

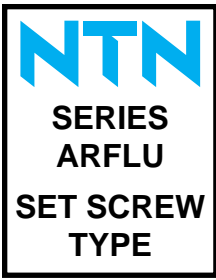
Units: **Millimeters**
INCHES



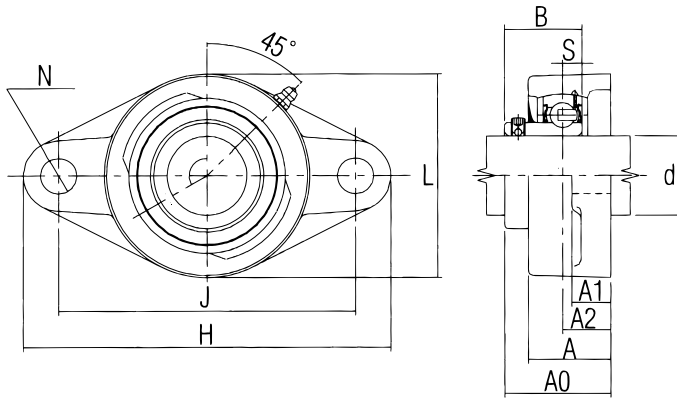
FLANGED UNITS - ULTRA CLASS CAST IRON HOUSING (2 BOLT)

Part Number	Nominal Dimensions											Lube Hole of Housing	Insert Bearing Number	Housing Number
	d	H	J	A2	A1	A	N	L	A0	B	S			
UCFLUX-1 ³ / ₁₆	0.8125	142	116.5	20	16	33	11.5	83	42.1	38.1	15.9	1/8-27NPT	A-UCX05-013D1	FLU206D1V50
UCFLUX-7/8	0.8750	5 19/32	4 19/32	25/32	5/8	1 5/16	29/64	3 3/32	1 21/32	1.5000	0.626		A-UCX05-014D1	
UCFLUX-15/16	0.9375												A-UCX05-015D1	
UCFLUX-1	1.0000												A-UCX05-100D1	
UCFLUX-1 1/16	1.0625	156	130	21	17	36	13.1	96	46.4	42.9	17.5	1/8-27NPT	A-UCX06-101D1	FLU207D1V50
UCFLUX-1 1/8	1.1250	6 5/32	5 1/8	53/64	21/32	1 13/32	33/64	3 25/32	1 53/64	1.6890	0.689		A-UCX06-102D1	
UCFLUX-1 3/16	1.1875												A-UCX06-103D1	
UCFLUX-1 1/4	1.2500												A-UCX07-104D1	
UCFLUX-1 5/16	1.3125	172	143.5	24	17	39	13.1	105	54.4	49.2	19	1/8-27NPT	A-UCX07-105D1	FLU208D1V50
UCFLUX-1 3/8	1.3750	6 25/32	5 21/32	15/16	21/32	1 13/32	33/64	4 1/8	2 9/64	1.9370	0.748		A-UCX07-106D1	
UCFLUX-1 7/16	1.4375												A-UCX07-107D1	
UCFLUX-1 1/2	1.5000	183	148.5	24	18	40	13.1	111	54.4	49.2	19	1/8-27NPT	A-UCX08-108D1	FLU209D1V50
UCFLUX-1 9/16	1.5625	7 3/32	5 27/32	15/16	23/32	1 9/16	33/64	4 3/8	2 9/64	1.9370	0.748		A-UCX08-109D1	
UCFLUX-1 5/8	1.6250	190	157	28	20	46	17.1	116	60.7	51.6	19	1/8-27NPT	A-UCX09-110D1	FLU210D1V50
UCFLUX-1 11/16	1.6875	7 15/32	6 3/16	1 7/64	25/32	1 13/16	43/64	4 9/16	2 25/64	2.0315	0.748		A-UCX09-111D1	
UCFLUX-1 3/4	1.7500												A-UCX09-112D1	
UCFLUX-1 13/16	1.8125												A-UCX10-113D1	
UCFLUX-1 7/8	1.8750	217	184	31	20.5	49	17.1	134	64.3	55.6	22.2	1/8-27NPT	A-UCX10-114D1	FLU211D1V50
UCFLUX-1 15/16	1.9375	8 17/32	7 1/4	1 7/32	13/16	1 15/16	43/64	5 9/32	2 17/32	2.1890	0.874		A-UCX10-115D1	
UCFLUX-2	2.0000												A-UCX11-200D1	

Note: Metric Sizes available. The production and shipment of black oxide coated inserts will be introduced as a rolling change. This is denoted with an M at the end of the current part number. Please consult NTN for availability.



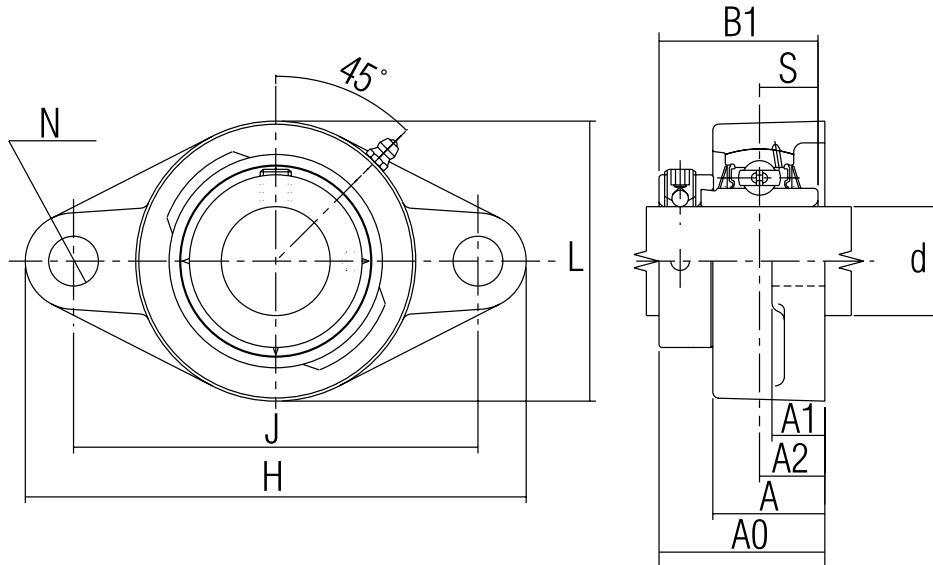
Units: **Millimeters**
INCHES



FLANGED UNITS - ULTRA CLASS CAST IRON HOUSING (2 BOLT)

Part Number	Nominal Dimensions											Lube Hole of Housing	Insert Bearing Number	Housing Number
	d	H	J	A2	A1	A	N	L	A0	B1	S			
ARFLU-1/2	0.5000	98	76	17	13	28	9.9	61	1 19/64	1.8858	0.256	1/4-28UNF	A-AR201-008D1	FLU201D1V50
ARFLU-9/16	0.5625	3 27/32	3	21/32	33/64	1 7/64	25/64	2 13/32	1 29/64				A-AR202-009D1	
ARFLU-5/8	0.6250												A-AR202-010D1	
ARFLU-11/16	0.6875												A-AR203-011D1	
ARFLU-3/4	0.7500	113	90	19	15	29.5	10.7	61	1 29/64	1.0039	0.295	1/4-28UNF	A-AR204-012D1	FLU204D1V50
ARFLU-13/16	0.8125	125	99	19	15	30	11.9	70	1 33/64	1.0630	0.295	1/8-27NPT	A-AR205-013D1	FLU205D1V50
ARFLU-7/8	0.8750	4 29/32	3 57/64	3/4	19/32	1 3/16	15/32	2 3/4					A-AR205-014D1	
ARFLU-15/16	0.9375												A-AR205-015D1	
ARFLU-1	1.0000												A-AR205-100D1	
ARFLU-1 1/16	1.0625	142	116.5	20	16	33	11.5	83	1 39/64	1.1811	0.354	1/8-27NPT	A-AR206-101D1	FLU206D1V50
ARFLU-1 1/8	1.1250	5 19/32	4 19/32	25/32	5/8	1 5/16	29/64	3 9/32					A-AR206-102D1	
ARFLU-1 3/16	1.1875												A-AR206-103D1	
ARFLU-1 1/4S	1.2500												A-AR206-104D1	
ARFLU-1 1/4	1.2500	156	130	21	17	36	13.1	96	1 53/64	1.3780	0.374	1/8-27NPT	A-AR207-104D1	FLU207D1V50
ARFLU-1 5/16	1.3125	6 5/32	5 1/8	53/64	21/32	1 13/32	33/64	3 25/32					A-AR207-105D1	
ARFLU-1 3/8	1.3750												A-AR207-106D1	
ARFLU-1 7/16	1.4375												A-AR207-107D1	
ARFLU-1 1/2	1.5000	172	143.5	24	17	39	13.1	105	2 3/32	1.5748	0.433	1/8-27NPT	A-AR208-108D1	FLU208D1V50
ARFLU-1 9/16	1.5625	6 25/32	5 21/32	15/16	21/32	1 17/32	33/64	4 1/8					A-AR208-109D1	
ARFLU-1 5/8	1.6250	183	148.5	24	18	40	13.1	111	2 9/64	1.6339	0.433	1/8-27NPT	A-AR209-110D1	FLU209D1V50
ARFLU-1 11/16	1.6875	7 3/32	5 27/32	15/16	23/32	1 9/16	33/64	4 3/8					A-AR209-111D1	
ARFLU-1 3/4	1.7500												A-AR209-112D1	
ARFLU-1 13/16	1.8125	190	157	28	20	46	17.1	116	2 23/64	1.6929	0.433	1/8-27NPT	A-AR210-113D1	FLU210D1V50
ARFLU-1 7/8	1.8750	7 15/32	6 3/16	1 7/64	25/32	1 13/16	43/64	4 9/16					A-AR210-114D1	
ARFLU-1 15/16	1.9375												A-AR210-115D1	
ARFLU-2S	2.0000												A-AR210-200D1	
ARFLU-2	2.0000	217	184	31	20.5	49	17.1	134	2 7/16	1.6929	0.472	1/8-27NPT	A-AR211-200D1	FLU211D1V50
ARFLU-2 1/16	2.0625	8 17/32	7 1/4	1 7/32	13/16	1 15/16	43/64	5 9/32					A-AR211-201D1	
ARFLU-2 1/8	2.1250												A-AR211-202D1	
ARFLU-2 3/16	2.1875												A-AR211-203D1	

Units: **Millimeters**
INCHES



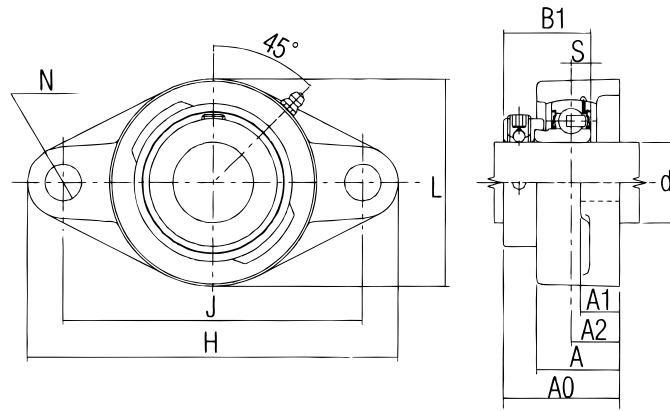
FLANGED UNITS - ULTRA CLASS CAST IRON HOUSING (2 BOLT)

Part Number	Nominal Dimensions											Lube Hole of Housing	Insert Bearing Number	Housing Number		
	d	H	J	A2	A1	A	N	L	A0	B1	S					
UELFLU-1/2	0.5000	98	76	17	13	28	9.9	61	42	37.3	12.4	1/4-28UNF	A-UEL201-008D1	FLU201D1V50		
UELFLU-9/16	0.5625	3 27/32	3	21/32	33/64	1 7/64	25/64	2 13/32	1 21/32	1.469	0.488		A-UEL202-009D1			
UELFLU-5/8	0.6250												A-UEL202-010D1			
UELFLU-11/16	0.6875												A-UEL203-011D1			
UELFLU-3/4	0.7500	113	90	19	15	29.5	10.7	61	45.6	43.7	17.1	1/4-28UNF	A-UEL204-012D1	FLU204D1V50		
		4 7/16	3 17/32	3/4	19/32	1 5/32	27/64	2 13/32	1 51/64	1.720	0.673					
UELFLU-13/16	0.8125	125	99	19	15	30	11.9	70	45.9	44.4	17.5		1/8-27NPT		A-UEL205-013D1	FLU205D1V50
UELFLU-7/8	0.8750	4 29/32	3 57/64	3/4	19/32	1 3/16	15/32	2 3/4	1 13/16	1.748	0.689				A-UEL205-014D1	
UELFLU-15/16	0.9375											A-UEL205-015D1				
UELFLU-1	1.0000											A-UEL205-100D1				
UELFLU-1 1/16	1.0625	142	116.5	20	16	33	11.5	83	50.1	48.4	18.3	1/8-27NPT	A-UEL206-101D1	FLU206D1V50		
UELFLU-1 1/8	1.1250	5 19/32	4 19/32	25/32	5/8	1 3/16	29/64	3 9/32	1 31/32	1.906	0.720		A-UEL206-102D1			
UELFLU-1 3/16	1.1875												A-UEL206-103D1			
UELFLU-1 1/4S	1.2500												A-UEL206-104D1			
UELFLU-1 1/4	1.2500	156	130	21	17	36	13.1	96	53.3	51.1	18.8	1/8-27NPT	A-UEL207-104D1	FLU207D1V50		
UELFLU-1 5/16	1.3125	6 5/32	5 1/8	53/64	21/32	1 13/32	33/64	3 25/32	2 3/32	2.012	0.740		A-UEL207-105D1			
UELFLU-1 3/8	1.3750												A-UEL207-106D1			
UELFLU-1 7/16	1.4375												A-UEL207-107D1			
UELFLU-1 1/2	1.5000	172	143.5	24	17	39	13.1	105	58.9	56.3	21.4	1/8-27NPT	A-UEL208-108D1	FLU208D1V50		
UELFLU-1 9/16	1.5625	6 25/32	5 21/32	15/16	21/32	1 13/32	33/64	4 1/8	2 5/16	2.217	0.843		A-UEL208-109D1			
UELFLU-1 5/8	1.6250	183	148.5	24	18	40	13.1	111	58.9	56.3	21.4	1/8-27NPT	A-UEL208-110D1	FLU209D1V50		
UELFLU-1 11/16	1.6875	7 3/32	5 27/32	15/16	23/32	1 9/16	33/64	4 3/8	2 5/16	2.217	0.843		A-UEL209-111D1			
UELFLU-1 3/4	1.7500												A-UEL209-112D1			
UELFLU-1 13/16	1.8125	190	157	28	20	46	17.1	116	66.1	62.7	24.6	1/8-27NPT	A-UEL210-113D1	FLU209D1V50		
UELFLU-1 7/8	1.8750	7 15/32	6 3/16	1 7/64	25/32	1 13/16	43/64	4 9/16	2 39/64	2.469	0.969		A-UEL210-114D1			
UELFLU-1 15/16	1.9375												A-UEL210-115D1			
UELFLU-2S	2.0000												A-UEL210-200D1			
UELFLU-2	2.0000	217	184	31	20.5	49	17.1	134	64.3	55.6	22.2	1/8-27NPT	A-UEL211-200D1	FLU211D1V50		
UELFLU-2 1/16	2.0625	8 17/32	7 1/4	1 7/32	13/16	1 15/16	43/64	5 5/32	2 17/32	2.1890	0.874		A-UEL211-201D1			
UELFLU-2 1/8	2.1250												A-UEL211-202D1			
UELFLU-2 3/16	2.1875												A-UEL211-203D1			

Note: Metric Sizes available. The production and shipment of black oxide coated inserts will be introduced as a rolling change. This is denoted with an M at the end of the current part number. Please consult NTN for availability.

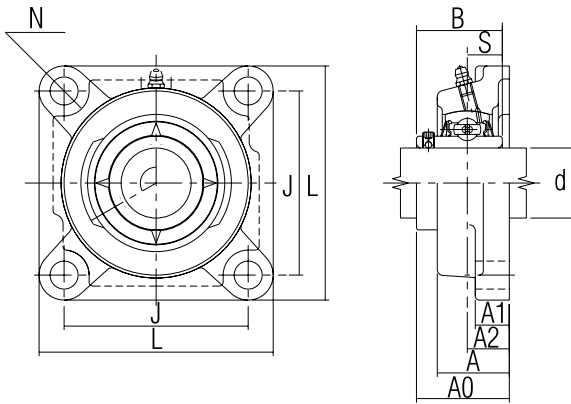
NTN
SERIES
JELFLU
ECCENTRIC
LOCKING
COLLAR
TYPE

Units: **Millimeters**
INCHES

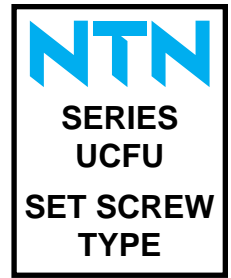


FLANGED UNITS - ULTRA CLASS CAST IRON HOUSING (2 BOLT)

Part Number	Nominal Dimensions											Lube Hole of Housing	Insert Bearing Number	Housing Number
	d	H	J	A2	A1	A	N	L	A0	B1	S			
JELFLU-1/2	0.5000	98	76	17	13	28	9.9	61	1 35/64	1.126	0.256	1/4-28UNF	A-JEL201-008D1	FLU201D1V50
JELFLU-9/16	0.5625	3 27/32	3	21/32	33/64	1 7/64	25/64	2 13/32	1 35/64	1.126	0.256		A-JEL202-009D1	
JELFLU-5/8	0.6250												A-JEL202-010D1	
JELFLU-11/16	0.6875												A-JEL203-011D1	
JELFLU-3/4	0.7500	113	90	19	15	29.5	10.7	61	1 43/64	1.220	0.295	1/4-28UNF	A-JEL204-012D1	FLU204D1V50
JELFLU-13/16	0.8125	4 7/16	3 17/32	3/4	19/32	1 5/32	27/64	2 13/32	1 43/64	1.220	0.295		A-JEL205-013D1	
JELFLU-7/8	0.8750												A-JEL205-014D1	
JELFLU-15/16	0.9375												A-JEL205-015D1	
JELFLU-1	1.0000												A-JEL205-100D1	
JELFLU-1 1/16	1.0625	142	116.5	20	16	33	11.5	83	1 27/32	1.406	0.354	1/8-27NPT	A-JEL206-101D1	FLU206D1V50
JELFLU-1 1/8	1.1250	5 19/32	4 19/32	25/32	5/8	1 5/16	29/64	3 9/32	1 27/32	1.406	0.354		A-JEL206-102D1	
JELFLU-1 3/16	1.1875												A-JEL206-103D1	
JELFLU-1 1/4S	1.2500												A-JEL206-104D1	
JELFLU-1 1/4	1.2500	156	130	21	17	36	13.1	96	1 63/64	1.531	0.374	1/8-27NPT	A-JEL207-104D1	FLU207D1V50
JELFLU-1 5/16	1.3125	6 5/32	5 1/8	53/64	21/32	1 13/32	33/64	3 25/32	1 63/64	1.531	0.374		A-JEL207-105D1	
JELFLU-1 3/8	1.3750												A-JEL207-106D1	
JELFLU-1 7/16	1.4375												A-JEL207-107D1	
JELFLU-1 1/2	1.5000	172	143.5	24	17	39	13.1	105	2 15/64	1.720	0.433	1/8-27NPT	A-JEL208-108D1	FLU208D1V50
JELFLU-1 9/16	1.5625	6 25/32	5 21/32	15/16	21/32	1 17/32	33/64	4 1/8	2 15/64	1.720	0.433		A-JEL208-109D1	
JELFLU-1 5/8	1.6250	183	148.5	24	18	40	13.1	111	2 15/64	1.720	0.433	1/8-27NPT	A-JEL209-110D1	FLU209D1V50
JELFLU-1 11/16	1.6875	7 3/32	5 27/32	15/16	23/32	1 9/16	33/64	4 3/8	2 15/64	1.720	0.433		A-JEL209-111D1	
JELFLU-1 3/4	1.7500												A-JEL209-112D1	
JELFLU-1 13/16	1.8125	190	157	28	20	46	17.1	116	2 25/64	1.720	0.433	1/8-27NPT	A-JEL210-113D1	FLU210D1V50
JELFLU-1 7/8	1.8750	7 15/32	6 3/16	1 7/64	25/32	1 13/16	43/64	4 9/16	2 25/64	1.720	0.433		A-JEL210-114D1	
JELFLU-1 15/16	1.9375												A-JEL210-115D1	
JELFLU-2S	2.0000												A-JEL210-200D1	
JELFLU-2	2.0000	217	184	31	20.5	49	17.1	134	2 21/32	1.906	0.472	1/8-27NPT	A-JEL211-200D1	FLU211D1V50
JELFLU-2 1/16	2.0625	8 17/32	7 1/4	1 7/32	13/16	1 15/16	43/64	5 9/32	2 21/32	1.906	0.472		A-JEL211-201D1	
JELFLU-2 1/8	2.1250												A-JEL211-202D1	
JELFLU-2 3/16	2.1875												A-JEL211-203D1	



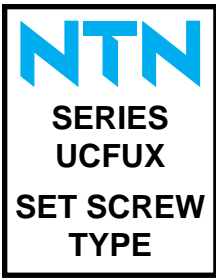
Units: **Millimeters**
INCHES



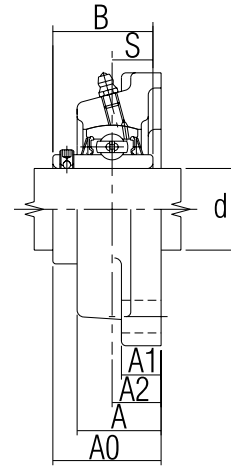
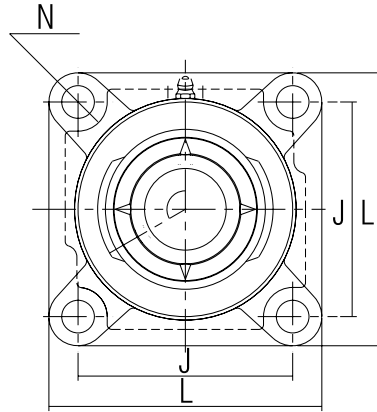
FLANGED UNITS - ULTRA CLASS CAST IRON HOUSING (4 BOLT)

Part Number	Nominal Dimensions										Lube Hole of Housing	Insert Bearing Number	Housing Number		
	d	L	J	A2	A1	A	N	A0	B	S					
UCFU-1/2	0.5000	76	54	17	13	28	10.7	32.9	27.4	11.5	1/4-28UNF	A-UC201X-008D1	FU201D1V50		
UCFU-9/16	0.5625	3	2 1/8	2 1/32	1/2	1 1/64	27/64	1 19/64	1.0787	0.453		A-UC202X-009D1			
UCFU-5/8	0.6250											A-UC202X-010D1			
UCFU-11/16	0.6875											A-UC203X-011D1			
UCFU-3/4	0.7500	86	63.5	19	15	29.5	10.7	37.3	31	12.7	1/4-28UNF	A-UC204-012D1	FU204D1V50		
		3 3/8	2 1/2	3/4	19/32	1 5/32	27/64	1 15/32	1.2205	0.500					
UCFU-13/16	0.8125	96	70	19	15	30	11.5	38.9	34.1	14.3		1/8-27NPT		A-UC205-013D1	FU205D1V50
UCFU-7/8	0.8750	3 25/32	2 3/4	3/4	19/32	1 3/16	29/64	1 17/32	1.3425	0.563				A-UC205-014D1	
UCFU-15/16	0.9375										A-UC205-015D1				
UCFU-1	1.0000										A-UC205-100D1				
UCFU-1 1/16	1.0625	109	82.5	20	16	33	11.5	42.1	38.1	15.9	1/8-27NPT	A-UC206-101D1	FU206D1V50		
UCFU-1 1/8	1.1250	4 9/32	3 1/4	25/32	9/8	1 9/16	29/64	1 21/32	1.5000	0.626		A-UC206-102D1			
UCFU-1 3/16	1.1875											A-UC206-103D1			
UCFU-1 1/4S	1.2500											A-UC206-104D1			
UCFU-1 1/4	1.2500	118	92	21	17	36	13.1	46.4	42.9	17.5	1/8-27NPT	A-UC207-104D1	FU207D1V50		
UCFU-1 5/16	1.3125	4 21/32	3 5/8	53/64	21/32	1 13/32	33/64	1 53/64	1.6890	0.689		A-UC207-105D1			
UCFU-1 3/8	1.3750											A-UC207-106D1			
UCFU-1 7/16	1.4375											A-UC207-107D1			
UCFU-1 1/2	1.5000	131	101.5	24	17	39	13.1	54.3	49.2	19	1/8-27NPT	A-UC208-108D1	FU208D1V50		
UCFU-1 9/16	1.5625	5 3/32	4	15/16	21/32	1 17/32	33/64	2 9/64	1.9370	0.748		A-UC208-109D1			
UCFU-1 5/8	1.6250	137	105	24	17	40	13.1	54.3	49.2	19		1/8-27NPT		A-UC209-110D1	FU209D1V50
UCFU-1 11/16	1.6875	5 13/32	4 1/8	15/16	23/32	1 9/16	33/64	2 9/64	1.9370	0.748				A-UC209-111D1	
UCFU-1 3/4	1.7500										A-UC209-112D1				
UCFU-1 13/16	1.8125	144	111	28	20	46	17.1	60.7	51.6	19	1/8-27NPT	A-UC210-113D1	FU210D1V50		
UCFU-1 7/8	1.8750	5 21/32	4 3/8	1 7/64	25/32	1 13/16	43/64	2 25/64	2.0315	0.748		A-UC210-114D1			
UCFU-1 15/16	1.9375											A-UC210-115D1			
UCFU-2S	2.0000											A-UC210-200D1			
UCFU-2	2.0000	163	130	31	21	49	17.1	64.3	55.6	22.2	1/8-27NPT	A-UC211-200D1	FU211D1V50		
UCFU-2 1/16	2.0625	6 13/32	5 1/8	1 7/32	13/16	1 15/16	43/64	2 17/32	2.1890	0.874		A-UC211-201D1			
UCFU-2 1/8	2.1250											A-UC211-202D1			
UCFU-2 3/16	2.1875											A-UC211-203D1			
UCFU-2 1/4	2.2500	175	143	34	21	53	17.1	73.8	65.1	25.4	1/8-27NPT	A-UC212-204D1	FU212D1V50		
UCFU-2 5/16	2.3125	6 7/8	5 5/8	1 11/32	13/16	2 3/32	43/64	2 29/32	2.5630	1.000		A-UC212-205D1			
UCFU-2 3/8	2.3750											A-UC212-206D1			
UCFU-2 7/16	2.4375											A-UC212-207D1			
UCFU-2 1/2R	2.5000	187	149	38	22	59	19	77.7	65.1	25.4	1/8-27NPT	A-UC213-208D1	FU213D1V50		
UCFU-2 9/16R	2.5625	7 3/8	5 55/64	1 1/2	7/8	2 5/16	3/4	3 1/16	2.563	1		A-UC213-209D1			
UCFU-2 5/8R	2.6250	193	149	38	22	62	16.3	82.6	74.6	30.2	1/8-27NPT	A-UC214-210D1	FU214D1V50		
UCFU-2 11/16R	2.6875	7 19/32	5 7/8	1 1/2	7/8	2 7/16	41/64	3 1/4	2.9370	1.189		A-UC214-211D1			
UCFU-2 3/4R	2.7500											A-UC214-212D1			
UCFU-2 13/16	2.8125	200	152	41	22	65	19.8	85.3	77.8	33.3	1/8-27NPT	A-UC215-213D1	FU215D1V50		
UCFU-2 7/8	2.8750	7 7/8	6	1 39/64	7/8	2 9/16	25/32	3 23/64	3.0630	1.311		A-UC215-214D1			
UCFU-2 15/16	2.9375											A-UC215-215D1			
UCFU-3	3.0000											A-UC215-300D1			

Note: Metric Sizes available. The production and shipment of black oxide coated inserts will be introduced as a rolling change. This is denoted with an M at the end of the current part number. Please consult NTN for availability.



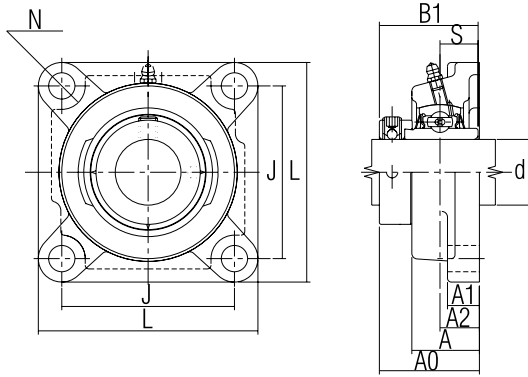
Units: **Millimeters**
INCHES



FLANGED UNITS - ULTRA CLASS CAST IRON HOUSING (4 BOLT)

Part Number	Nominal Dimensions										Lube Hole of Housing	Insert Bearing Number	Housing Number
	d	L	J	A2	A1	A	N	A0	B	S			
UCFUX-1 ³ / ₁₆	0.8125	109	82.5	20	16	33	11.5	42.1	38.1	15.9	1/8-27NPT	A-UCX05-013D1	FU206D1V50
UCFUX-7/8	0.8750	4 9/32	3 1/4	25/32	5/8	1 5/16	29/64	1 21/32	1.5000	0.626		A-UCX05-014D1	
UCFUX-15/16	0.9375											A-UCX05-015D1	
UCFUX-1	1.0000											A-UCX05-100D1	
UCFUX-1 1/16	1.0625	118	92	21	17	36	13.1	46.4	42.9	17.5	1/8-27NPT	A-UCX06-101D1	FU207D1V50
UCFUX-1 1/8	1.1250	4 21/32	3 5/8	53/64	21/32	1 13/32	33/64	1 53/64	1.6890	0.689		A-UCX06-102D1	
UCFUX-1 3/16	1.1875											A-UCX06-103D1	
UCFUX-1 1/4	1.2500											A-UCX07-104D1	
UCFUX-1 5/16	1.2500	131	101.5	24	17	39	13.1	54.3	49.2	19	1/8-27NPT	A-UCX07-105D1	FU208D1V50
UCFUX-1 3/8	1.3750	5 3/32	4	15/16	21/32	1 17/32	33/64	2 9/64	1.9370	0.748		A-UCX07-106D1	
UCFUX-1 7/16	1.4375											A-UCX07-107D1	
UCFUX-1 1/2	1.5000	137	105	24	18	40	13.1	54.3	49.2	19	1/8-27NPT	A-UCX08-108D1	FU209D1V50
UCFUX-1 9/16	1.5625	5 13/32	4 1/8	15/16	23/32	1 9/16	33/64	2 9/64	1.9370	0.748		A-UCX08-109D1	
UCFUX-1 5/8	1.6250	144	111	28	20	46	17.1	60.7	51.6	19	1/8-27NPT	A-UCX09-110D1	FU210D1V50
UCFUX-1 11/16	1.6875	5 21/32	4 3/8	1 7/64	29/32	1 13/16	43/64	2 29/64	2.0315	0.748		A-UCX09-111D1	
UCFUX-1 3/4	1.7500											A-UCX09-112D1	
UCFUX-1 13/16	1.8125											A-UCX10-113D1	
UCFUX-1 7/8	1.8750	163	130	31	21	49	17.1	64.3	55.6	22.2	1/8-27NPT	A-UCX10-114D1	FU211D1V50
UCFUX-1 15/16	1.9375	6 13/32	5 1/8	1 7/32	13/16	1 15/16	43/64	2 17/32	2.1890	0.874		A-UCX10-115D1	
UCFUX-2	2.0000											A-UCX11-200D1	
UCFUX-2 1/16	2.0000	175	143	34	21	53	17.1	73.8	65.1	25.4	1/8-27NPT	A-UCX11-201D1	FU212D1V50
UCFUX-2 1/8	2.1250	6 7/8	5 5/8	1 11/32	13/16	2 3/32	43/64	2 29/32	2.5630	1.000		A-UCX11-202D1	
UCFUX-2 3/16	2.1875											A-UCX11-203D1	
UCFUX-2 1/4	2.2500											A-UCX12-204D1	
UCFUX-2 5/16	2.3125											A-UCX12-205D1	
UCFUX-2 7/16	2.4375	193	143	38	22	62	16.3	82.6	74.6	30.2	1/8-27NPT	A-UCX14-207D1	FU214D1V50
UCFUX-2 1/2	2.5000	7 19/32	5 7/8	1 1/2	7/8	2 7/16	41/64	3 1/4	2.9370	1.189		A-UCX13-208D1	
UCFUX-2 9/16	2.5625											A-UCX13-209D1	
UCFUX-2 5/8	2.6250	200	152	41	22	65	19.8	85.3	77.8	33.3	1/8-27NPT	A-UCX14-210D1	FU215D1V50
UCFUX-2 11/16	2.6875	7 7/8	6	1 39/64	7/8	2 9/16	25/32	3 23/64	3.0630	1.311		A-UCX14-211D1	
UCFUX-2 3/4	2.7500											A-UCX14-212D1	
UCFUX-2 13/16	2.8125	200	152.5	40.9	22	65	19.8	90.5	82.6	33.3	1/8-27NPT	A-UCX15-213D1	FU215D1V50
UCFUX-2 7/8	2.8750	7 7/8	6	1 39/64	7/8	2 9/16	25/32	3 9/16	3.2520	1.311		A-UCX15-214D1	
UCFUX-2 15/16	2.9375											A-UCX15-215D1	
UCFUX-3	3.0000											A-UCX15-300D1	

Note: Metric Sizes available. The production and shipment of black oxide coated inserts will be introduced as a rolling change. This is denoted with an M at the end of the current part number. Please consult NTN for availability.



Units: **Millimeters**
INCHES



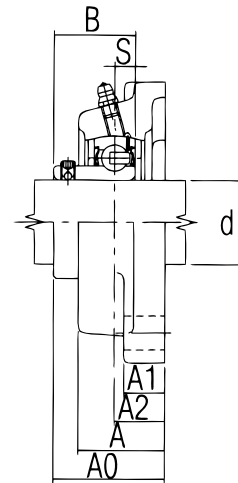
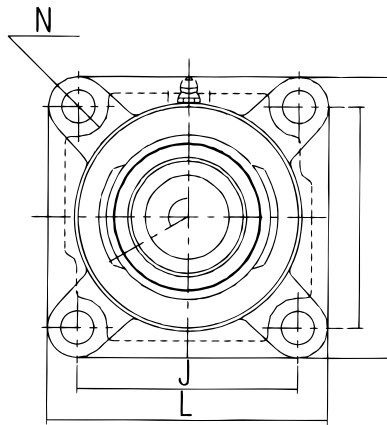
FLANGED UNITS - ULTRA CLASS CAST IRON HOUSING (4 BOLT)

Part Number	Nominal Dimensions										Lube Hole of Housing	Insert Bearing Number	Housing Number		
	d	L	J	A2	A1	A	N	A0	B1	S					
UELFU-1/2	0.5000	76	54	17	13	28	10.7	42.1	37.3	12.4	1/4-28UNF	A-UEL201-008D1	FU201D1V50		
UELFU-9/16	0.5625	3	2 1/8	2 1/32	1/2	1 7/64	27/64	1 2 1/32	1.469	0.488		A-UEL202-009D1			
UELFU-5/8	0.6250											A-UEL202-010D1			
UELFU-11/16	0.6875											A-UEL203-011D1			
UELFU-3/4	0.7500	86	63.5	19	15	29.5	10.7	45.6	43.7	17.1	1/4-28UNF	A-UEL204-012D1	FU204D1V50		
		3 3/8	2 1/2	3/4	19/32	1 5/32	27/64	1 51/64	1.720	0.673					
UELFU-13/16	0.8125	96	70	19	15	30	11.5	46	44.4	17.5		1/8-27NPT		A-UEL205-013D1	FU205D1V50
UELFU-7/8	0.8750	3 25/32	2 3/4	3/4	19/32	1 3/16	29/64	1 13/16	1.748	0.689				A-UEL205-014D1	
UELFU-15/16	0.9375										A-UEL205-015D1				
UELFU-1	1.0000										A-UEL205-100D1				
UELFU-1 1/16	1.0625	109	82.5	20	16	33	11.5	50	48.4	18.3	1/8-27NPT	A-UEL206-101D1	FU206D1V50		
UELFU-1 1/8	1.1250	4 9/32	3 1/4	25/32	9/8	1 5/16	29/64	1 31/32	1.906	0.720		A-UEL206-102D1			
UELFU-1 3/16	1.1875											A-UEL206-103D1			
UELFU-1 1/4S	1.2500											A-UEL206-104D1			
UELFU-1 1/4	1.2500	118	92	21	17	36	13.1	53.2	51.1	18.8	1/8-27NPT	A-UEL207-104D1	FU207D1V50		
UELFU-1 5/16	1.3125	4 21/32	3 5/8	53/64	21/32	1 13/32	33/64	2 3/32	2.012	0.740		A-UEL207-105D1			
UELFU-1 3/8	1.3750											A-UEL207-106D1			
UELFU-1 7/16	1.4375											A-UEL207-107D1			
UELFU-1 1/2	1.5000	131	101.5	24	17	39	13.1	58.7	56.3	21.4	1/8-27NPT	A-UEL208-108D1	FU208D1V50		
UELFU-1 9/16	1.5625	5 3/32	4	15/16	21/32	1 17/32	33/64	2 5/16	2.217	0.843		A-UEL208-109D1			
UELFU-1 5/8	1.6250	137	105	24	17	40	13.1	58.7	56.3	21.4	1/8-27NPT	A-UEL209-110D1	FU209D1V50		
UELFU-1 11/16	1.6875	5 13/32	4 1/8	15/16	23/32	1 9/16	33/64	2 5/16	2.217	0.843		A-UEL209-111D1			
UELFU-1 3/4	1.7500											A-UEL209-112D1			
UELFU-1 13/16	1.8125	144	111	28	20	46	17.1	66.3	62.7	24.6	1/8-27NPT	A-UEL210-113D1	FU210D1V50		
UELFU-1 7/8	1.8750	5 21/32	4 3/8	1 7/64	25/32	1 13/16	43/64	2 39/64	2.469	0.969		A-UEL210-114D1			
UELFU-1 15/16	1.9375											A-UEL210-115D1			
UELFU-2S	2.0000											A-UEL210-200D1			
UELFU-2	2.0000	163	130	31	21	49	17.1	74.6	71.4	27.8	1/8-27NPT	A-UEL211-200D1	FU211D1V50		
UELFU-2 1/16	2.0625	6 13/32	5 1/8	1 7/32	13/16	1 15/16	43/64	2 15/16	2.811	1.094		A-UEL211-201D1			
UELFU-2 1/8	2.1250											A-UEL211-202D1			
UELFU-2 3/16	2.1875											A-UEL211-203D1			
UELFU-2 1/4	2.2500	175	143	34	21	53	17.1	81	77.8	31	1/8-27NPT	A-UEL212-204D1	FU212D1V50		
UELFU-2 5/16	2.3125	6 7/8	5 5/8	1 11/32	13/16	2 3/32	43/64	3 3/16	3.063	1.220		A-UEL212-205D1			
UELFU-2 3/8	2.3750											A-UEL212-206D1			
UELFU-2 7/16	2.4375											A-UEL212-207D1			
UELFU-2 1/2R	2.5000	187	149	38	22	59	19	89.55	85.7	34.15	1/8-27NPT	A-UEL213-208D1M	FU213D1V50		
UELFU-2 9/16R	2.5625	7 3/8	5 55/64	1 1/2	7/8	2 5/16	3/4	3 1/2	3.374	1.344		A-UEL213-209D1M			
UELFU-2 5/8R	2.6250	193	149	38	22	62	16.3	89.7	85.7	34.1	1/8-27NPT	A-UEL214-210D1	FU214D1V50		
UELFU-2 11/16R	2.6875	7 19/32	5 7/8	1 1/2	7/8	2 7/16	41/64	3 17/32	3.374	1.344		A-UEL214-211D1			
UELFU-2 3/4R	2.7500											A-UEL214-212D1			
UELFU-2 13/16	2.8125	200	152	41	22	65	19.8	95.6	92	37.3	1/8-27NPT	A-UEL215-213D1	FU215D1V50		
UELFU-2 7/8	2.8750	7 7/8	6	1 39/64	7/8	2 9/16	25/32	3 49/64	3.622	1.469		A-UEL215-214D1			
UELFU-2 15/16	2.9375											A-UEL215-215D1			
UELFU-3	3.0000											A-UEL215-300D1			

Note: Metric Sizes available. The production and shipment of black oxide coated inserts will be introduced as a rolling change. This is denoted with an M at the end of the current part number. Please consult NTN for availability.

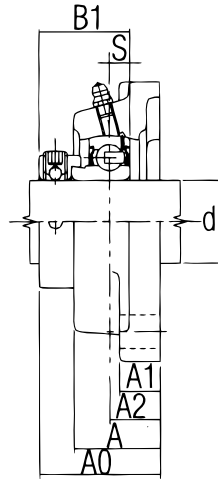
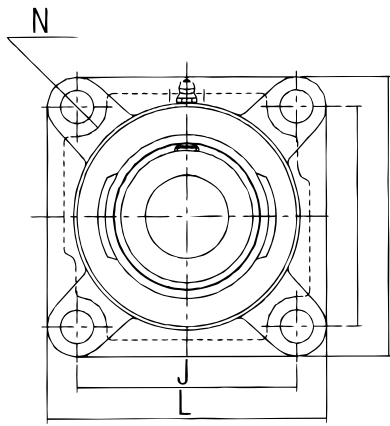


Units: **Millimeters**
INCHES



FLANGED UNITS - ULTRA CLASS CAST IRON HOUSING (4 BOLT)

Part Number	Nominal Dimensions										Lube Hole of Housing	Insert Bearing Number	Housing Number			
	d	L	J	A2	A1	A	N	A0	B	S						
ARFU-1/2	0.5000	76	54	17	13	28	10.7									
ARFU-9/16	0.5625	3	2 1/8	21/32	1/2	1 7/64	27/64	1 19/64	0.8858	0.256	1/4-28UNF	A-AR201-008D1 A-AR202-009D1 A-AR202-010D1 A-AR203-011D1	FU201D1V50			
ARFU-5/8	0.6250															
ARFU-11/16	0.6875															
ARFU-3/4	0.7500	86	63.5	19	15	29.5	27/64	1 29/64	1.0039	0.295	1/4-28UNF	A-AR204-012D1	FU204D1V50			
ARFU-13/16	0.8125	96	70	19	15	30	11.5									
ARFU-7/8	0.8750	3 25/32	2 3/4	3/4	19/32	1 3/16	29/64	1 33/64	1.0630	0.295	1/8-27NPT	A-AR205-013D1 A-AR205-014D1 A-AR205-015D1 A-AR205-100D1	FU205D1V50			
ARFU-15/16	0.9375															
ARFU-1	1.0000															
ARFU-1 1/16	1.0625	109	82.5	20	16	33	11.5									
ARFU-1 1/8	1.1250	4 9/32	3 1/4	25/32	5/8	1 5/16	29/64	1 39/64	1.1811	0.354	1/8-27NPT	A-AR206-101D1 A-AR206-102D1 A-AR206-103D1 A-AR206-104D1	FU206D1V50			
ARFU-1 3/16	1.1875															
ARFU-1 1/4S	1.2500															
ARFU-1 1/4	1.2500	118	92	21	17	36	13.1									
ARFU-1 5/16	1.3125	4 21/32	3 5/8	53/64	21/32	1 13/32	33/64	1 53/64	1.3780	0.374	1/8-27NPT	A-AR207-104D1 A-AR207-105D1 A-AR207-106D1 A-AR207-107D1	FU207D1V50			
ARFU-1 3/8	1.3750															
ARFU-1 7/16	1.4375															
ARFU-1 1/2	1.5000															
ARFU-1 9/16	1.5625	5 5/32	101.5	24	17	39	13.1									
ARFU-1 5/8	1.6250															
ARFU-1 11/16	1.6875	5 13/32	105	24	17	40	13.1									
ARFU-1 3/4	1.7500															
ARFU-1 13/16	1.8125	144	111	28	20	46	17.1									
ARFU-1 7/8	1.8750	5 21/32	4 3/8	1 7/64	25/32	1 13/16	43/64	2 23/64	1.6929	0.433	1/8-27NPT	A-AR210-113D1 A-AR210-114D1 A-AR210-115D1 A-AR210-200D1	FU210D1V50			
ARFU-1 15/16	1.9375															
ARFU-2S	2.0000															
ARFU-2	2.0000	163	130	31	21	49	17.1									
ARFU-2 1/16	2.0625	6 13/32	5 1/8	1 7/32	13/16	1 15/16	43/64	2 7/16	1.6929	0.472	1/8-27NPT	A-AR211-200D1 A-AR211-201D1 A-AR211-202D1 A-AR211-203D1	FU211D1V50			
ARFU-2 1/8	2.1250															
ARFU-2 3/16	2.1875															



Units: **Millimeters**
INCHES



FLANGED UNITS - ULTRA CLASS CAST IRON HOUSING (4 BOLT)

Part Number	Nominal Dimensions										Lube Hole of Housing	Insert Bearing Number	Housing Number	
	d	L	J	A2	A1	A	N	A0	B1	S				
JELFU-1/2	0.5000	76	54	17	13	28	10.7	1 35/64	1.126	0.256	1/4-28UNF	A-JEL201-008D1	FU201D1V50	
JELFU-9/16	0.5625	3	2 1/8	21/32	1/2	1 1/64	27/64					A-JEL202-009D1		
JELFU-5/8	0.6250											A-JEL202-010D1		
JELFU-11/16	0.6875											A-JEL203-011D1		
JELFU-3/4	0.7500	86	63.5	19	15	29.5	11.5	1 43/64	1.220	0.295	1/4-28UNF	A-JEL204-012D1	FU204D1V50	
JELFU-13/16	0.8125	96	70	19	15	30	11.5	1 43/64	1.220	0.295	1/8-27NPT	A-JEL205-013D1	FU205D1V50	
JELFU-7/8	0.8750	3 25/32	2 3/4	3/4	19/32	1 3/16	29/64					A-JEL205-014D1		
JELFU-15/16	0.9375											A-JEL205-015D1		
JELFU-1	1.0000											A-JEL205-100D1		
JELFU-1 1/16	1.0625	109	82.5	20	16	33	11.5	1 27/32	1.406	0.354	1/8-27NPT	A-JEL206-101D1	FU206D1V50	
JELFU-1 1/8	1.1250	4 9/32	3 1/4	25/32	5/8	1 5/16	29/64					A-JEL206-102D1		
JELFU-1 3/16	1.1875											A-JEL206-103D1		
JELFU-1 1/4S	1.2500											A-JEL206-104D1		
JELFU-1 1/4	1.2500	118	92	21	17	36	13.1	1 63/64	1.531	0.374	1/8-27NPT	A-JEL207-104D1	FU207D1V50	
JELFU-1 5/16	1.3125	4 21/32	3 5/8	53/64	21/32	1 13/32	33/64					A-JEL207-105D1		
JELFU-1 3/8	1.3750											A-JEL207-106D1		
JELFU-1 7/16	1.4375											A-JEL207-107D1		
JELFU-1 1/2	1.5000	124	101.5	24	17	39	13.1	2 15/64	1.720	0.433	1/8-27NPT	A-JEL208-108D1	FU208D1V50	
JELFU-1 9/16	1.5625	5 5/32	4	15/16	21/32	1 17/32	33/64					A-JEL208-109D1		
JELFU-1 5/8	1.6250	137	105	24	17	40	13.1	2 15/64	1.720	0.433		1/8-27NPT		A-JEL209-110D1
JELFU-1 11/16	1.6875	5 13/32	4 1/8	15/16	23/32	1 9/16	33/64							A-JEL209-111D1
JELFU-1 3/4	1.7500										A-JEL209-112D1			
JELFU-1 13/16	1.8125	144	111	28	20	46	17.1	2 25/64	1.720	0.433	1/8-27NPT	A-JEL210-113D1	FU210D1V50	
JELFU-1 7/8	1.8750	5 21/32	4 3/8	1 7/64	25/32	1 13/16	43/64					A-JEL210-114D1		
JELFU-1 15/16	1.9375											A-JEL210-115D1		
JELFU-2S	2.0000											A-JEL210-200D1		
JELFU-2	2.0000	163	130	31	21	49	17.1	2 21/32	1.906	0.472	1/8-27NPT	A-JEL211-200D1	FU211D1V50	
JELFU-2 1/16	2.0625	6 13/32	5 1/8	1 7/32	13/16	1 15/16	43/64					A-JEL211-201D1		
JELFU-2 1/8	2.1250											A-JEL211-202D1		
JELFU-2 3/16	2.1875											A-JEL211-203D1		



Bearing Series → UCP SERIES

UCP-1/2..... 1.5 ←

Complete Pillow Block Number

Weight (lbs)

ULTRA-CLASS MOUNTED UNITS

LBS.

UCP Series	UCPL-2.7/8.....19.0	ARPL-1.3/16.....3.1	UELPL-1.11/16.....5.7
UCP-1/2.....1.5	UCPL-2.15/16.....18.7	ARPL-1.1/4S.....3.1	UELPL-1.3/4.....5.7
UCP-9/16.....1.5	UCPL-3.....18.5	ARPL-1.1/4.....4.0	UELPL-1.13/16.....7.7
UCP-5/8.....1.5	UCPX Series	ARPL-1.5/16.....3.7	UELPL-1.7/8.....7.7
UCP-11/16.....1.5	UCPX-13/16.....3.5	ARPL-1.3/8.....3.7	UELPL-1.15/16.....7.5
UCP-3/4.....1.8	UCPX-7/8.....3.5	ARPL-1.7/16.....3.5	UELPL-2S.....7.5
UCP-13/16.....2.0	UCPX-15/16.....3.5	ARPL-1.1/2.....4.6	UELPL-2.....9.7
UCP-7/8.....2.0	UCPX-1.....3.4	ARPL-1.9/16.....4.6	UELPL-2.1/16.....9.5
UCP-15/16.....2.0	UCPX-1.1/16.....4.2	ARPL-1.5/8.....5.5	UELPL-2.1/8.....9.5
UCP-1.....2.0	UCPX-1.1/8.....4.1	ARPL-1.11/16.....5.3	UELPL-2.3/16.....9.3
UCP-1.1/16.....3.3	UCPX-1.3/16.....4.1	ARPL-1.3/4.....5.3	UELPL-2.1/4.....13.0
UCP-1.1/8.....3.3	UCPX-1.1/4.....4.0	ARPL-1.13/16.....7.1	UELPL-2.5/16.....12.8
UCP-1.3/16.....3.3	UCPX-1.5/16.....5.4	ARPL-1.7/8.....7.1	UELPL-2.3/8.....12.8
UCP-1.1/4S.....3.3	UCPX-1.3/8.....5.3	ARPL-1.15/16.....6.8	UELPL-2.7/16.....12.6
UCP-1.1/4.....4.0	UCPX-1.7/16.....5.2	ARPL-2S.....6.8	UELPL-2.1/2.....12.6
UCP-1.5/16.....4.0	UCPX-1.1/2.....5.8	ARPL-2S.....8.8	UELPL-2.9/16.....16.8
UCP-1.3/8.....4.0	UCPX-1.9/16.....5.7	ARPL-2.1/16.....8.6	UELPL-2.5/8R.....16.8
UCP-1.7/16.....4.0	UCPX-1.5/8.....7.7	ARPL-2.1/8.....8.6	UELPL-2.11/16R.....16.5
UCP-1.1/2.....4.9	UCPX-1.11/16.....7.7	ARPL-2.3/16.....8.4	UELPL-2.3/4R.....19.8
UCP-1.9/16.....4.9	UCPX-1.3/4.....7.6	UELP Series	UELPL-2.13/16.....19.8
UCP-1.5/8.....5.7	UCPX-1.13/16.....7.4	UELPL-1/2.....1.8	UELPL-2.7/8.....19.6
UCP-1.11/16.....5.7	UCPX-1.7/8.....9.4	UELPL-9/16.....1.8	UELPL-2.15/16.....19.4
UCP-1.3/4.....5.5	UCPX-1.15/16.....9.3	UELPL-5/8.....1.8	UELPL-3.....19.0
UCP-1.13/16.....7.5	UCPX-2.....9.1	UELPL-11/16.....1.5	JELP Series
UCP-1.7/8.....7.3	UCPX-2.1/16.....12.9	UELPL-3/4.....1.8	JELP-1/2.....1.5
UCP-1.15/16.....7.3	UCPX-2.1/8.....12.8	UELPL-13/16.....2.2	JELP-9/16.....1.5
UCP-2S.....7.3	UCPX-2.3/16.....12.6	UELPL-7/8.....2.2	JELP-5/8.....1.5
UCP-2.....9.3	UCPX-2.1/4.....12.4	UELPL-15/16.....2.2	JELP-11/16.....1.5
UCP-2.1/16.....9.0	UCPX-2.7/16.....16.0	UELPL-1.....2.2	JELP-3/4.....1.8
UCP-2.1/8.....9.0	UCPX-2.1/2.....15.9	UELPL-1.1/16.....3.5	JELP-13/16.....1.8
UCP-2.3/16.....8.8	UCPX-2.9/16.....16.7	UELPL-1.1/8.....3.5	JELP-7/8.....2.0
UCP-2.1/4.....12.3	UCPX-2.5/8.....26.2	UELPL-1.3/16.....3.3	JELP-15/16.....2.0
UCP-2.5/16.....12.1	UCPX-2.11/16.....26.0	UELPL-1.1/4S.....3.3	JELP-1.....2.0
UCP-2.3/8.....12.1	UCPX-2.3/4.....25.7	UELPL-1.1/4.....4.4	JELP-1.1/16.....3.3
UCP-2.7/16.....11.9	UCPX-2.13/16.....26.0	UELPL-1.5/16.....4.4	JELP-1.1/8.....3.3
UCP-2.1/2.....14.8	UCPX-2.7/8.....25.7	UELPL-1.3/8.....4.2	JELP-1.3/16.....3.3
UCP-2.9/16.....14.6	UCPX-2.15/16.....25.4	UELPL-1.7/16.....4.2	JELP-1.1/4S.....3.3
UCP-2.5/8R.....16.5	UCPX-3.....25.2	UELPL-1.1/2.....5.3	JELP-1.1/4.....4.2
UCP-2.11/16R.....16.3	UCPX-3.3/16.....39.4	UELPL-1.9/16.....5.3	JELP-1.5/16.....4.2
UCP-2.3/4R.....16.1	UCPX-3.7/16.....40.1	UELPL-1.5/8.....6.0	JELP-1.3/8.....4.0
UCP-2.13/16.....18.7	UCPX-3.1/2.....39.7	UELPL-1.11/16.....6.0	JELP-1.7/16.....4.0
UCP-2.7/8.....18.5	ARP Series	UELPL-1.3/4.....6.0	JELP-1.1/2.....4.9
UCP-2.15/16.....18.3	ARP-1/2.....1.5	UELPL-1.13/16.....7.9	JELP-1.9/16.....4.9
UCP-3.....18.1	ARP-9/16.....1.5	UELPL-1.7/8.....7.9	JELP-1.5/8.....6.0
UCPL Series	ARP-5/8.....1.5	UELPL-1.15/16.....7.7	JELP-1.11/16.....5.7
UCPL-1/2.....1.5	ARP-11/16.....1.5	UELPL-2S.....7.5	JELP-1.3/4.....5.7
UCPL-9/16.....1.5	ARP-3/4.....1.5	UELPL-2.....9.7	JELP-1.13/16.....7.5
UCPL-5/8.....1.5	ARP-13/16.....2.0	UELPL-2.1/16.....9.7	JELP-1.7/8.....7.5
UCPL-11/16.....1.5	ARP-7/8.....2.0	UELPL-2.1/8.....9.5	JELP-1.15/16.....7.3
UCPL-3/4.....1.8	ARP-15/16.....2.0	UELPL-2.3/16.....9.5	JELP-2S.....7.3
UCPL-13/16.....2.0	ARP-1.....2.0	UELPL-2.1/4.....13.0	JELP-2S.....9.3
UCPL-7/8.....2.0	ARP-1.1/16.....3.3	UELPL-2.5/16.....13.0	JELP-2.1/16.....9.3
UCPL-15/16.....2.0	ARP-1.1/8.....3.1	UELPL-2.3/8.....12.8	JELP-2.1/8.....9.0
UCPL-1.....2.0	ARP-1.1/16.....3.1	UELPL-2.7/16.....12.6	JELP-2.3/16.....9.0
UCPL-1.1/16.....3.3	ARP-1.1/4S.....3.1	UELPL-2.1/2.....16.3	JELPL Series
UCPL-1.1/8.....3.3	ARP-1.1/4.....4.0	UELPL-2.9/16.....16.1	JELPL-1/2.....1.5
UCPL-1.3/16.....3.1	ARP-1.5/16.....4.0	UELPL-2.5/8R.....17.4	JELPL-9/16.....1.5
UCPL-1.1/4S.....3.1	ARP-1.3/8.....3.7	UELPL-2.11/16R.....17.2	JELPL-5/8.....1.5
UCPL-1.1/4.....4.0	ARP-1.7/16.....3.7	UELPL-2.3/4R.....16.9	JELPL-11/16.....1.5
UCPL-1.5/16.....4.0	ARP-1.1/2.....4.6	UELPL-2.13/16.....19.4	JELPL-3/4.....1.8
UCPL-1.3/8.....4.0	ARP-1.9/16.....4.6	UELPL-2.7/8.....19.2	JELPL-13/16.....2.0
UCPL-1.7/16.....3.7	ARP-1.5/8.....5.5	UELPL-2.15/16.....19.0	JELPL-7/8.....2.0
UCPL-1.1/2.....4.9	ARP-1.11/16.....5.5	UELPL-3.....18.5	JELPL-15/16.....2.0
UCPL-1.9/16.....4.9	ARP-1.3/4.....5.3	UELPL Series	JELPL-1.....2.0
UCPL-1.5/8.....5.7	ARP-1.13/16.....7.3	UELPL-1/2.....1.8	JELPL-1.1/16.....3.3
UCPL-1.11/16.....5.5	ARP-1.7/8.....7.3	UELPL-9/16.....1.8	JELPL-1.1/8.....3.1
UCPL-1.3/4.....5.5	ARP-1.15/16.....7.1	UELPL-5/8.....1.8	JELPL-1.3/16.....3.1
UCPL-1.13/16.....7.3	ARP-2S.....7.1	UELPL-11/16.....1.5	JELPL-1.1/4S.....3.1
UCPL-1.7/8.....7.3	ARP-2S.....8.8	UELPL-3/4.....1.8	JELPL-1.1/4.....4.0
UCPL-1.15/16.....7.1	ARP-2.1/16.....8.8	UELPL-13/16.....2.2	JELPL-1.5/16.....4.0
UCPL-2S.....7.1	ARP-2.1/8.....8.6	UELPL-7/8.....2.2	JELPL-1.3/8.....4.0
UCPL-2.....9.0	ARP-2.3/16.....8.6	UELPL-15/16.....2.2	JELPL-1.7/16.....3.7
UCPL-2.1/16.....9.0	ARPL Series	UELPL-1.....2.0	JELPL-1.1/2.....4.9
UCPL-2.1/8.....8.8	ARPL-1/2.....1.5	UELPL-1.1/16.....3.3	JELPL-1.9/16.....4.9
UCPL-2.3/16.....8.8	ARPL-9/16.....1.5	UELPL-1.1/8.....3.3	JELPL-1.5/8.....5.7
UCPL-2.1/4.....12.3	ARPL-5/8.....1.5	UELPL-1.3/16.....3.3	JELPL-1.11/16.....5.7
UCPL-2.5/16.....12.1	ARPL-11/16.....1.5	UELPL-1.1/4S.....3.3	JELPL-1.3/4.....5.5
UCPL-2.3/8.....11.9	ARPL-3/4.....1.8	UELPL-1.1/4.....4.2	JELPL-1.13/16.....7.3
UCPL-2.7/16.....11.9	ARPL-13/16.....2.0	UELPL-1.5/16.....4.2	JELPL-1.7/8.....7.3
UCPL-2.1/2.....11.9	ARPL-7/8.....2.0	UELPL-1.3/8.....4.2	JELPL-1.15/16.....7.3
UCPL-2.9/16.....11.9	ARPL-15/16.....2.0	UELPL-1.7/16.....4.0	JELPL-2S.....7.1
UCPL-2.5/8.....16.1	ARPL-1.....2.0	UELPL-1.1/2.....5.3	JELPL-2S.....9.3
UCPL-2.11/16.....15.9	ARPL-1.1/16.....3.1	UELPL-1.9/16.....5.3	JELPL-2.1/16.....9.0
UCPL-2.3/4.....19.0	ARPL-1.1/8.....3.1	UELPL-1.5/8.....6.0	JELPL-2.1/8.....9.0
UCPL-2.13/16.....19.2	ARPL-1.1/8.....3.1		



Bearing Series → **UCP SERIES**

UCP-1/2..... 1.5

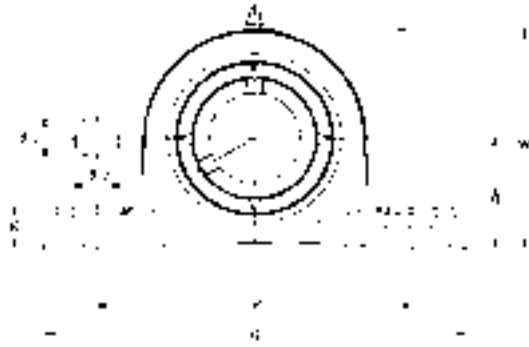
Complete Pillow Block Number

Weight (lbs)

ULTRA-CLASS MOUNTED UNITS		LBS.
JELPL-2.3/16.....	8.8	
UCFLU Series		
UCFLU-1/2.....	0.9	
UCFLU-9/16.....	0.9	
UCFLU-5/8.....	0.9	
UCFLU-11/16.....	0.9	
UCFLU-3/4.....	1.3	
UCFLU-13/16.....	1.5	
UCFLU-7/8.....	1.5	
UCFLU-15/16.....	1.5	
UCFLU-1.....	1.5	
UCFLU-1.1/16.....	2.4	
UCFLU-1.1/8.....	2.4	
UCFLU-1.1/4.....	2.2	
UCFLU-1.1/4S.....	2.2	
UCFLU-1.1/4.....	3.3	
UCFLU-1.5/16.....	3.3	
UCFLU-1.3/8.....	3.1	
UCFLU-1.7/16.....	3.1	
UCFLU-1.1/2.....	4.2	
UCFLU-1.9/16.....	4.0	
UCFLU-1.5/8.....	4.6	
UCFLU-1.11/16.....	4.6	
UCFLU-1.3/4.....	4.6	
UCFLU-1.13/16.....	5.5	
UCFLU-1.7/8.....	5.5	
UCFLU-1.15/16.....	5.3	
UCFLU-2S.....	5.3	
UCFLU-2.....	7.7	
UCFLU-2.1/16.....	7.7	
UCFLU-2.1/8.....	7.5	
UCFLU-2.3/16.....	7.5	
UCFLUX Series		
UCFLUX-13/16.....	2.4	
UCFLUX-7/8.....	2.4	
UCFLUX-15/16.....	2.3	
UCFLUX-1.....	2.3	
UCFLUX-1.1/16.....	3.4	
UCFLUX-1.1/8.....	3.3	
UCFLUX-1.3/16.....	3.3	
UCFLUX-1.1/4.....	3.2	
UCFLUX-1.5/16.....	4.3	
UCFLUX-1.3/8.....	4.2	
UCFLUX-1.7/16.....	4.1	
UCFLUX-1.1/2.....	4.9	
UCFLUX-1.9/16.....	4.8	
UCFLUX-1.5/8.....	5.7	
UCFLUX-1.11/16.....	5.6	
UCFLUX-1.3/4.....	5.5	
UCFLUX-1.13/16.....	5.4	
UCFLUX-1.7/8.....	8.2	
UCFLUX-1.15/16.....	8.0	
UCFLUX-2.....	7.9	
ARFLU Series		
ARFLU-1/2.....	0.9	
ARFLU-9/16.....	0.9	
ARFLU-5/8.....	0.9	
ARFLU-11/16.....	0.9	
ARFLU-3/4.....	1.1	
ARFLU-13/16.....	1.5	
ARFLU-7/8.....	1.5	
ARFLU-15/16.....	1.5	
ARFLU-1.....	1.5	
ARFLU-1.1/16.....	2.2	
ARFLU-1.1/8.....	2.2	
ARFLU-1.3/16.....	2.2	
ARFLU-1.1/4S.....	2.2	
ARFLU-1.1/4.....	3.3	
ARFLU-1.5/16.....	3.1	
ARFLU-1.3/8.....	2.9	
ARFLU-1.7/16.....	2.9	
ARFLU-1.1/2.....	3.7	
ARFLU-1.9/16.....	3.7	
ARFLU-1.5/8.....	4.4	
ARFLU-1.11/16.....	4.4	
ARFLU-1.3/4.....	4.4	
ARFLU-1.13/16.....	5.3	
ARFLU-1.7/8.....	5.3	
ARFLU-1.15/16.....	5.1	
ARFLU-2S.....	5.1	
ARFLU-2S.....	7.5	
ARFLU-2.1/16.....	7.3	
ARFLU-2.1/8.....	7.3	
ARFLU-2.3/16.....	7.1	
UELFLU Series		
UELFLU-1/2.....	1.1	
UELFLU-9/16.....	1.1	
UELFLU-5/8.....	1.1	
UELFLU-11/16.....	0.9	
UELFLU-3/4.....	1.3	
UELFLU-13/16.....	1.8	
UELFLU-7/8.....	1.8	
UELFLU-15/16.....	1.8	
UELFLU-1.....	1.5	
UELFLU-1.1/16.....	2.4	
UELFLU-1.1/8.....	2.4	
UELFLU-1.3/16.....	2.4	
UELFLU-1.1/4S.....	2.4	
UELFLU-1.1/4.....	3.5	
UELFLU-1.5/16.....	3.5	
UELFLU-1.3/8.....	3.5	
UELFLU-1.7/16.....	3.3	
UELFLU-1.1/2.....	4.4	
UELFLU-1.9/16.....	4.4	
UELFLU-1.5/8.....	5.1	
UELFLU-1.11/16.....	4.9	
UELFLU-1.3/4.....	4.9	
UELFLU-1.13/16.....	6.0	
UELFLU-1.7/8.....	6.0	
UELFLU-1.15/16.....	5.7	
UELFLU-2S.....	5.7	
UELFLU-2.....	8.4	
UELFLU-2.1/16.....	8.2	
UELFLU-2.1/8.....	8.2	
UELFLU-2.3/16.....	7.9	
JELFLU Series		
JELFLU-1/2.....	0.9	
JELFLU-9/16.....	0.9	
JELFLU-5/8.....	0.9	
JELFLU-11/16.....	0.9	
JELFLU-3/4.....	1.1	
JELFLU-13/16.....	1.5	
JELFLU-7/8.....	1.5	
JELFLU-15/16.....	1.5	
JELFLU-1.....	1.5	
JELFLU-1.1/16.....	2.4	
JELFLU-1.1/8.....	2.2	
JELFLU-1.3/16.....	2.2	
JELFLU-1.1/4S.....	2.2	
JELFLU-1.1/4.....	3.3	
JELFLU-1.5/16.....	3.3	
JELFLU-1.3/8.....	3.3	
JELFLU-1.7/16.....	3.1	
JELFLU-1.1/2.....	4.2	
JELFLU-1.9/16.....	4.0	
JELFLU-1.5/8.....	4.9	
JELFLU-1.11/16.....	4.9	
JELFLU-1.3/4.....	4.6	
JELFLU-1.13/16.....	5.5	
JELFLU-1.7/8.....	5.5	
JELFLU-1.15/16.....	5.5	
JELFLU-2S.....	5.3	
JELFLU-2S.....	7.9	
JELFLU-2.1/16.....	7.7	
JELFLU-2.1/8.....	7.7	
JELFLU-2.3/16.....	7.5	
UCFU Series		
UCFU-1/2.....	1.3	
UCFU-9/16.....	1.3	
UCFU-5/8.....	1.3	
UCFU-11/16.....	1.3	
UCFU-3/4.....	1.8	
UCFU-13/16.....	2.0	
UCFU-7/8.....	2.0	
UCFU-15/16.....	2.0	
UCFU-1.....	2.0	
UCFU-1.1/16.....	2.9	
UCFU-1.1/8.....	2.9	
UCFU-1.3/16.....	2.6	
UCFU-1.1/4S.....	2.6	
UCFU-1.1/4.....	3.7	
UCFU-1.5/16.....	3.7	
UCFU-1.3/8.....	3.7	
UCFU-1.7/16.....	3.5	
UCFU-1.1/2.....	4.4	
UCFU-1.9/16.....	4.4	
UCFU-1.5/8.....	5.5	
UCFU-1.11/16.....	5.3	
UCFU-1.3/4.....	5.3	
UCFU-1.13/16.....	6.4	
UCFU-1.7/8.....	6.6	
UCFU-1.15/16.....	6.6	
UCFU-1.15/16.....	6.4	
UCFU-1.3/4.....	3.0	
UCFU-7/8.....	2.9	
UCFU-15/16.....	2.9	
UCFU-1.....	2.8	
UCFU-1.1/16.....	4.3	
UCFU-1.1/8.....	4.2	
UCFU-1.3/16.....	4.2	
UCFU-1.1/4.....	4.1	
UCFU-1.5/16.....	4.9	
UCFU-1.3/8.....	4.8	
UCFU-1.7/16.....	4.7	
UCFU-1.1/2.....	5.5	
UCFU-1.9/16.....	5.4	
UCFU-1.5/8.....	6.7	
UCFU-1.11/16.....	6.7	
UCFU-1.3/4.....	6.6	
UCFU-1.13/16.....	6.4	
UCFU-1.7/8.....	8.6	
UCFU-1.15/16.....	8.5	
UCFU-2.....	8.4	
UCFU-2.1/16.....	10.5	
UCFU-2.1/8.....	10.4	
UCFU-2.3/16.....	10.3	
UCFU-2.1/4.....	10.0	
UCFU-2.5/16.....	9.9	
UCFU-2.7/16.....	15.0	
UCFU-2.1/2.....	14.9	
UCFU-2.9/16.....	14.7	
UCFU-2.5/8.....	15.7	
UCFU-2.11/16.....	15.5	
UCFU-2.3/4.....	15.3	
UCFU-2.13/16.....	16.4	
UCFU-2.7/8.....	16.1	
UCFU-2.15/16.....	15.9	
UCFU-3.....	15.6	
UELFLU Series		
UELFLU-1/2.....	1.5	
UELFLU-9/16.....	1.5	
UELFLU-5/8.....	1.5	
UELFLU-11/16.....	1.3	
UELFLU-3/4.....	1.8	
UELFLU-13/16.....	2.2	
UELFLU-7/8.....	2.2	
UELFLU-15/16.....	2.0	
UELFLU-1.....	2.0	
UELFLU-1.1/16.....	2.9	
UELFLU-1.1/8.....	2.9	
UELFLU-1.3/16.....	2.9	
UELFLU-1.1/4S.....	2.9	
UELFLU-1.1/4.....	4.0	
UELFLU-1.5/16.....	4.0	
UELFLU-1.3/8.....	4.0	
UELFLU-1.7/16.....	4.0	
UELFLU-1.1/2.....	4.9	
UELFLU-1.9/16.....	4.6	
UELFLU-1.5/8.....	5.7	
UELFLU-1.11/16.....	5.5	
UELFLU-1.3/4.....	5.5	
UELFLU-1.13/16.....	6.6	
UELFLU-1.7/8.....	6.6	
UELFLU-1.15/16.....	6.4	
UCFU-1.3/4.....	5.3	
UCFU-1.7/8.....	5.7	
UCFU-1.15/16.....	15.9	
UCFU-3.....	15.7	
UCFUX Series		
UCFUX-13/16.....	3.0	
UCFUX-7/8.....	2.9	
UCFUX-15/16.....	2.9	
UCFUX-1.....	2.8	
UCFUX-1.1/16.....	4.3	
UCFUX-1.1/8.....	4.2	
UCFUX-1.3/16.....	4.2	
UCFUX-1.1/4.....	4.1	
UCFUX-1.5/16.....	4.9	
UCFUX-1.3/8.....	4.8	
UCFUX-1.7/16.....	4.7	
UCFUX-1.1/2.....	5.5	
UCFUX-1.9/16.....	5.4	
UCFUX-1.5/8.....	6.7	
UCFUX-1.11/16.....	6.7	
UCFUX-1.3/4.....	6.6	
UCFUX-1.13/16.....	6.4	
UCFUX-1.7/8.....	8.6	
UCFUX-1.15/16.....	8.5	
UCFUX-2.....	8.4	
UCFUX-2.1/16.....	10.5	
UCFUX-2.1/8.....	10.4	
UCFUX-2.3/16.....	10.3	
UCFUX-2.1/4.....	10.0	
UCFUX-2.5/16.....	9.9	
UCFUX-2.7/16.....	15.0	
UCFUX-2.1/2.....	14.9	
UCFUX-2.9/16.....	14.7	
UCFUX-2.5/8.....	15.7	
UCFUX-2.11/16.....	15.5	
UCFUX-2.3/4.....	15.3	
UCFUX-2.13/16.....	16.4	
UCFUX-2.7/8.....	16.1	
UCFUX-2.15/16.....	15.9	
UCFUX-3.....	15.6	
UELFLU Series		
UELFLU-1/2.....	1.5	
UELFLU-9/16.....	1.5	
UELFLU-5/8.....	1.5	
UELFLU-11/16.....	1.3	
UELFLU-3/4.....	1.8	
UELFLU-13/16.....	2.2	
UELFLU-7/8.....	2.2	
UELFLU-15/16.....	2.0	
UELFLU-1.....	2.0	
UELFLU-1.1/16.....	2.9	
UELFLU-1.1/8.....	2.9	
UELFLU-1.3/16.....	2.9	
UELFLU-1.1/4S.....	2.9	
UELFLU-1.1/4.....	4.0	
UELFLU-1.5/16.....	4.0	
UELFLU-1.3/8.....	4.0	
UELFLU-1.7/16.....	4.0	
UELFLU-1.1/2.....	4.9	
UELFLU-1.9/16.....	4.6	
UELFLU-1.5/8.....	5.7	
UELFLU-1.11/16.....	5.5	
UELFLU-1.3/4.....	5.5	
UELFLU-1.13/16.....	6.6	
UELFLU-1.7/8.....	6.6	
UELFLU-1.15/16.....	6.4	
UELFLU-2S.....	6.4	
UELFLU-2.....	9.7	
UELFLU-2.1/16.....	9.5	
UELFLU-2.1/8.....	9.5	
UELFLU-2.3/16.....	9.3	
UELFLU-2.1/4.....	11.7	
UELFLU-2.5/16.....	11.5	
UELFLU-2.3/8.....	11.2	
UELFLU-2.7/16.....	11.2	
UELFLU-2.1/2R.....	14.4	
UELFLU-2.9/16R.....	14.2	
UELFLU-2.5/8R.....	13.7	
UELFLU-2.11/16R.....	13.4	
UELFLU-2.3/4R.....	14.5	
UELFLU-2.13/16.....	17.0	
UELFLU-2.7/8.....	16.8	
UELFLU-2.15/16.....	16.5	
UELFLU-3.....	16.1	
ARFU Series		
ARFU-1/2.....	1.3	
ARFU-9/16.....	1.3	
ARFU-5/8.....	1.3	
ARFU-11/16.....	1.3	
ARFU-3/4.....	1.5	
ARFU-13/16.....	2.0	
ARFU-7/8.....	2.0	
ARFU-15/16.....	2.0	
ARFU-1.....	2.0	
ARFU-1.1/16.....	2.6	
ARFU-1.1/8.....		



Units: Millimeters
INCHES



PILLOW BLOCKS - CAST HOUSING

Shaft Dia.	Complete Pillow Block Number	Nominal Dimensions										Bolt Size	Housing Number	Bearing Number	Basic Load Ratings (lbs)	
		<i>h</i>	<i>a</i>	<i>e</i>	<i>b</i>	<i>s</i> ₁	<i>s</i> ₂	<i>g</i>	<i>w</i>	<i>Bi</i>	<i>n</i>				<i>C</i> _{Dynamic}	<i>C</i> _{Static}
12 ½	UCP201D1 UCP201-008D1	30.2 1 ¾	127 5	95 3 ¾	38 1 ½	13 ½	16 ⅝	14 ⅞	62 2 ⅞	31 1.220	12.7 .500	M10 ⅝	P203D1 P203D1	UC201D1 UC201-008D1	2,890	1,500
15 9/16 5/8	UCP202D1 UCP202-009D1 UCP202-010D1	30.2 1 ¾	127 5	95 3 ¾	38 1 ½	13 ½	16 ⅝	14 ⅞	62 2 ⅞	31 1.220	12.7 .500	M10 ⅝	P203D1 P203D1 P203D1	UC202D1 UC202-009D1 UC202-010D1	2,890	1,500
17 1 1/16	UCP203D1 UCP203-011D1	30.2 1 ¾	127 5	95 3 ¾	38 1 ½	13 ½	16 ⅝	14 ⅞	62 2 ⅞	31 1.220	12.7 .500	M10 ⅝	P203D1 P203D1	UC203D1 UC203-011D1	2,890	1,500
20 ¾	UCP204D1 UCP204-012D1	33.3 1 ⅝	127 5	95 3 ¾	38 1 ½	13 ½	16 ⅝	14 ⅞	65 2 9/16	31 1.220	12.7 .500	M10 ⅝	P204D1 P204D1	UC204D1 UC204-012D1	2,890	1,500
25 1 3/16 7/8 1 1/16 1	UCP205D1 UCP205-013D1 UCP205-014D1 UCP205-015D1 UCP205-100D1	36.5 1 7/16	140 5 ½	105 4 ⅞	38 1 ½	13 ½	16 ⅝	15 19/32	71 2 25/32	34 1.339	14.3 .563	M10 ⅝	P205D1 P205D1 P205D1 P205D1	UC205D1 UC205-013D1 UC205-014D1 UC205-015D1 UC205-100D1	3,150	1,770
30 1 1/16 1 1/8 1 3/16 1 1/4	UCP206D1 UCP206-101D1 UCP206-102D1 UCP206-103D1 UCP206-104D1	42.9 1 11/16	165 6 ½	121 4 ¾	48 1 7/8	17 21/32	20 25/32	17 21/32	83 3 3/32	38.1 1.500	15.9 .626	M14 ½	P206D1 P206D1 P206D1 P206D1	UC206D1 UC206-101D1 UC206-102D1 UC206-103D1 UC206-104D1	4,400	2,540
35 1 1/4 1 5/16 1 3/8 1 7/16	UCP207D1 UCP207-104D1 UCP207-105D1 UCP207-106D1 UCP207-107D1	47.6 1 7/8	167 6 9/16	127 5	48 1 7/8	17 21/32	20 25/32	18 23/32	93 3 21/32	42.9 1.689	17.5 .689	M14 ½	P207D1 P207D1 P207D1 P207D1	UC207D1 UC207-104D1 UC207-105D1 UC207-106D1 UC207-107D1	5,750	3,440
40 1 1/2 1 9/16	UCP208D1 UCP208-108D1 UCP208-109D1	49.2 1 15/16	184 7 ¼	137 5 13/32	54 2 1/8	17 21/32	20 25/32	18 23/32	98 3 27/32	49.2 1.937	19 .748	M14 ½	P208D1 P208D1	UC208D1 UC208-108D1 UC208-109D1	6,550	4,000
45 1 5/8 1 11/16 1 3/4	UCP209D1 UCP209-110D1 UCP209-111D1 UCP209-112D1	54 2 1/8	190 7 15/32	146 5 ¾	54 2 1/8	17 21/32	20 25/32	20 25/32	106 4 3/16	49.2 1.937	19 .748	M14 ½	P209D1 P209D1 P209D1	UC209D1 UC209-110D1 UC209-111D1 UC209-112D1	7,350	4,590
50 1 13/16 1 7/8 1 15/16 2	UCP210D1 UCP210-113D1 UCP210-114D1 UCP210-115D1 UCP210-200D1	57.2 2 ¼	206 8 1/8	159 6 ¼	60 2 3/8	20 25/32	23 29/32	21 13/16	114 4 ½	51.6 2.031	19 .748	M16 5/8	P210D1 P210D1 P210D1 P210D1	UC210D1 UC210-113D1 UC210-114D1 UC210-115D1 UC210-200D1	7,900	5,220
55 2 2 1/16 2 1/8 2 3/16	UCP211D1 UCP211-200D1 UCP211-201D1 UCP211-202D1 UCP211-203D1	63.5 2 ½	219 8 5/8	171 6 23/32	60 2 3/8	20 25/32	23 29/32	23 29/32	126 4 31/32	55.6 2.189	22.2 .874	M16 5/8	P211D1 P211D1 P211D1 P211D1	UC211D1 UC211-200D1 UC211-201D1 UC211-202D1 UC211-203D1	9,750	6,570
60 2 1/4 2 3/8 2 7/16	UCP212D1 UCP212-204D1 UCP212-206D1 UCP212-207D1	69.8 2 ¾	241 9 ½	184 7 ¼	70 2 ¾	20 25/32	23 29/32	25 31/32	138 5 7/16	65.1 2.563	25.4 1.000	M16 5/8	P212D1 P212D1 P212D1	UC212D1 UC212-204D1 UC212-206D1 UC212-207D1	11,800	8,100

Continued next page ...

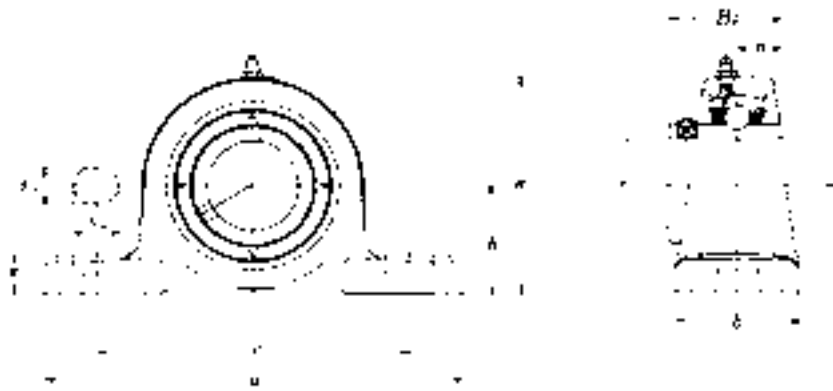
Units: Millimeters
INCHES



PILLOW BLOCKS - CAST HOUSING																
Shaft Dia.	Complete Pillow Block Number	Nominal Dimensions										Bolt Size	Housing Number	Bearing Number	Basic Load Ratings (lbs)	
		h	a	e	b	s ₁	s ₂	g	w	Bi	n				Dynamic C	Static C ₀
65 2 1/2	UCP213D1 UCP213-208D1	76.2 3	265 10 7/16	203 8	70 2 3/4	25 3 1/2	28 1 3/32	27 1 1/16	151 5 15/16	65.1 2.563	25.4 1.000	M20 3/4	P213D1 P213D1	UC213D1 UC213-208D1	12,900	9,000
70 2 11/16 2 3/4	UCP214D1 UCP214-211D1 UCP214-212D1	79.4 3 1/8	266 10 15/32	210 8 9/32	72 2 27/32	25 3 1/2	28 1 3/32	27 1 1/16	157 6 3/16	74.6 2.937	30.2 1.189	M20 3/4	P214D1 P214D1 P214D1	UC214D1 UC214-211D1 UC214-211D1	14,000	9,900
75 2 15/16 3	UCP215D1 UCP215-215D1 UCP215-300D1	82.6 3 1/4	275 10 13/16	217 8 17/32	74 2 29/32	25 3 1/2	28 1 3/32	28 1 3/32	163 6 13/32	77.8 3.063	33.3 1.311	M20 3/4	P215D1 P215D1 P215D1	UC215D1 UC215-215D1 UC215-300D1	14,900	11,100
80 3 1/8	UCP216D1 UCP216-302D1	88.9 3 1/2	292 11 1/2	232 9 1/8	78 3 1/16	25 3 1/2	28 1 3/32	30 1 3/16	175 6 7/8	82.6 3.252	33.3 1.311	M20 3/4	P216D1 P216D1	UC216D1 UC216-302D1	16,300	11,900
85 3 1/4	UCP217D1 UCP217-304D1	95.2 3 3/4	310 12 7/32	247 9 23/32	83 3 9/32	25 3 1/2	28 1 3/32	32 1 1/4	187 7 3/8	85.7 3.374	34.1 1.343	M20 3/4	P217D1 P217D1	UC217D1 UC217-304D1	18,700	14,400
90 3 1/2	UCP218D1 UCP218-308D1	101.6 4	327 12 7/8	262 10 5/16	88 3 15/32	27 1 1/16	30 1 3/16	33 1 5/16	200 7 7/8	96 3.780	39.7 1.563	M22 7/8	P218D1 P218D1	UC218D1 UC218-308D1	21,600	16,100



Units: Millimeters
INCHES



PILLOW BLOCKS - CAST HOUSING (LOW CENTER HEIGHT)																
Shaft Dia.	Complete Pillow Block Number	Nominal Dimensions										Bolt Size	Housing Number	Bearing Number	Basic Load Ratings (lbs)	
		<i>h</i>	<i>a</i>	<i>e</i>	<i>b</i>	<i>s₁</i>	<i>s₂</i>	<i>g</i>	<i>w</i>	<i>Bi</i>	<i>n</i>				<i>C</i>	<i>C₀</i>
20 ¾	UCPL204D1 UCPL204-012D1	31.75 1 ¼	127 5	95 3 ¾	38 1 ½	13 ½	16 ⅝	14 ⅞	64 2 17/32	31 1.220	12.7 .500	M10 ⅜	PL204D1 PL204D1	UC204D1 UC204-012D1	2,890	1,500
25 1 3/16 7/8 1 5/16 1	UCPL205D1 UCPL205-013D1 UCPL205-014D1 UCPL205-015D1 UCPL205-100D1	33.34 1 5/16	140 5 ½	105 4 ⅞	38 1 ½	13 ½	16 ⅝	15 19/32	68 2 11/16	34 1.339	14.3 .563	M10 ⅜	PL205D1 PL205D1 PL205D1 PL205D1	UC205D1 UC205-013D1 UC205-014D1 UC205-015D1 UC205-100D1	3,150	1,770
30 1 1/16 1 1/8 1 3/16 1 1/4	UCPL206D1 UCPL206-101D1 UCPL206-102D1 UCPL206-103D1 UCPL206-104D1	39.69 1 9/16	165 6 ½	121 4 ¾	48 1 7/8	17 21/32	20 25/32	17 21/32	80 3 5/32	38.1 1.500	15.9 .626	M14 ½	PL206D1 PL206D1 PL206D1 PL206D1	UC206D1 UC206-101D1 UC206-102D1 UC206-103D1 UC206-104D1	4,400	2,540
35 1 ¼ 1 5/16 1 3/8 1 7/16	UCPL207D1 UCPL207-104D1 UCPL207-105D1 UCPL207-106D1 UCPL207-107D1	46.04 1 13/16	167 6 5/16	127 5	48 1 7/8	17 21/32	20 25/32	18 23/32	91 3 19/32	42.9 1.689	17.5 .689	M14 ½	PL207D1 PL207D1 PL207D1 PL207D1	UC207D1 UC207-104D1 UC207-105D1 UC207-106D1 UC207-107D1	5,750	3,440
45 1 5/8 1 11/16 1 ¾	UCPL209D1 UCPL209-110D1 UCPL209-111D1 UCPL209-112D1	52.39 2 1/16	190 7 15/32	146 5 ¾	54 2 1/8	17 21/32	20 25/32	20 25/32	104 4 3/32	49.2 1.937	19 .748	M14 ½	PL209D1 PL209D1 PL209D1	UC209D1 UC209-110D1 UC209-111D1 UC209-112D1	7,350	4,590
50 1 13/16 1 7/8 1 15/16 2	UCPL210D1 UCPL210-113D1 UCPL210-114D1 UCPL210-115D1 UCPL210-200D1	55.56 2 3/16	206 8 1/8	159 6 ¼	60 2 3/8	20 25/32	23 29/32	21 13/16	112 4 13/32	51.6 2.031	19 .748	M16 5/8	PL210D1 PL210D1 PL210D1 PL210D1	UC210D1 UC210-113D1 UC210-114D1 UC210-115D1 UC210-200D1	7,900	5,220

Note: These numbers indicate relubricatable type. If maintenance free type is needed, please order without suffix D1
 UCPL204 and UCPL205 have solid bases.
 UCPL208 has the same dimensions as UCP208 shown on page 156



Units: Millimeters
INCHES

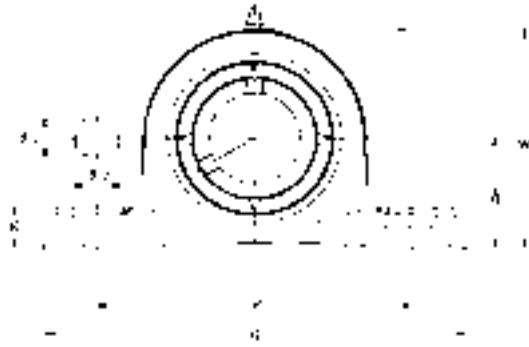


PILLOW BLOCKS - CAST HOUSING

Shaft Dia.	Complete Pillow Block Number	Nominal Dimensions										Bolt Size	Housing Number	Bearing Number	Basic Load Ratings (lbs)	
		h	a	e	b	s ₁	s ₂	g	w	Bi	n				Dynamic C	Static C ₀
25 7/8 15/16 1	UCP305D1 UCP305-014D1 UCP305-015D1 UCP305-100D1	45 1 25/32	175 6 7/8	132 5 3/16	45 1 25/32	17 21/32	20 25/32	15 19/32	85 3 11/32	38 1.496	15 .591	M14 1/2	P305D1 P305D1 P305D1	UC305D1 UC305-014D1 UC305-015D1 UC305-100D1	4,750	2,460
30 1 1/8 1 3/16	UCP306D1 UCP306-102D1 UCP306-103D1	50 1 31/32	180 7 3/32	140 5 1/2	50 1 31/32	17 21/32	20 25/32	18 23/32	95 3 3/4	43 1.693	17 .669	M14 1/2	P306D1 P306D1 P306D1	UC306D1 UC306-102D1 UC306-102D1	6,000	3,400
35 1 1/4 1 5/16 1 3/8 1 7/16	UCP307D1 UCP307-104D1 UCP307-105D1 UCP307-106D1 UCP307-107D1	56 2 7/32	210 8 9/32	160 6 5/16	56 2 7/32	17 21/32	25 31/32	20 25/32	106 4 3/16	48 1.890	19 .748	M14 1/2	P307D1 P307D1 P307D1 P307D1	UC307D1 UC307-104D1 UC307-105D1 UC307-106D1 UC307-107D1	7,500	4,300
40 1 1/2	UCP308D1 UCP308-108D1	60 2 3/8	220 8 21/32	170 6 11/16	60 2 3/8	17 21/32	27 1 1/16	22 7/8	116 4 9/16	52 2.047	19 .748	M14 1/2	P308D1 P308D1	UC308D1 UC308-108D1	9,150	5,400
45 1 5/8 1 11/16 1 3/4	UCP309D1 UCP309-110D1 UCP309-111D1 UCP309-112D1	67 2 5/8	245 9 21/32	190 7 15/32	67 2 5/8	20 25/32	30 1 3/16	24 15/16	129 5 3/32	57 2.244	22 .866	M16 5/8	P309D1 P309D1 P309D1	UC309D1 UC309-110D1 UC309-111D1 UC309-112D1	11,900	7,200
50 1 7/8 1 15/16	UCP310D1 UCP310-114D1 UCP310-115D1	75 2 15/16	275 10 13/16	212 8 11/32	75 2 15/16	20 25/32	35 1 3/8	27 1 1/16	143 5 5/8	61 2.402	22 .866	M16 5/8	P310D1 P310D1 P310D1	UC310D1 UC310-114D1 UC310-115D1	13,900	8,660
55 2 2 1/8 2 3/16	UCP311D1 UCP311-200D1 UCP311-202D1 UCP311-203D1	80 3 5/32	310 12 7/32	236 9 9/32	80 3 5/32	20 25/32	38 1 1/2	30 1 3/16	154 6 1/16	66 2.598	25 .984	M16 5/8	P311D1 P311D1 P311D1	UC311D1 UC311-200D1 UC311-202D1 UC311-203D1	16,100	10,100
60 2 1/4 2 5/8 2 7/16	UCP312D1 UCP312-204D1 UCP312-206D1 UCP312-207D1	85 3 11/32	330 13	250 9 27/32	85 3 11/32	25 31/32	38 1 1/2	32 1 1/4	165 6 1/2	71 2.795	26 1.024	M20 3/4	P312D1 P312D1 P312D1	UC312D1 UC312-204D1 UC312-206D1 UC312-207D1	18,400	11,700
65 2 1/2	UCP313D1 UCP313-208D1	90 3 17/32	340 13 3/8	260 10 1/4	90 3 17/32	25 31/32	38 1 1/2	33 1 5/16	176 6 15/16	75 2.953	30 1.181	M20 3/4	P313D1 P313D1	UC313D1 UC313-208D1	20,800	13,400
70 2 11/16 2 3/4	UCP314D1 UCP314-211D1 UCP314-212D1	95 3 3/4	360 14 3/16	280 11 1/32	90 3 17/32	27 1 1/16	40 1 9/16	35 1 3/8	187 7 3/8	78 3.071	33 1.299	M22 7/8	P314D1 P314D1 P314D1	UC314D1 UC314-211D1 UC314-212D1	23,400	15,300
75 2 15/16 3	UCP315D1 UCP315-215D1 UCP315-300D1	100 3 15/16	380 14 31/32	290 11 13/32	100 3 15/16	27 1 1/16	40 1 9/16	35 1 3/8	198 7 25/32	82 3.228	32 1.260	M22 7/8	P315D1 P315D1 P315D1	UC315D1 UC315-215D1 UC315-215D1	25,500	17,400
80 3 1/8 3 3/16	UCP316D1 UCP316-302D1 UCP316-303D1	106 4 3/16	400 15 3/4	300 11 13/16	110 4 11/32	27 1 1/16	40 1 9/16	40 1 9/16	210 8 9/32	86 3.386	34 1.339	M22 7/8	P316D1 P316D1 P316D1	UC316D1 UC316-302D1 UC316-303D1	27,600	19,500
85 3 3/4	UCP317D1 UCP317-304D1	112 4 13/32	420 16 17/32	320 12 19/32	110 4 11/32	33 1 5/16	45 1 25/32	40 1 9/16	220 8 21/32	96 3.780	40 1.575	M27 1	P317D1 P317D1	UC317D1 UC317-304D1	29,800	21,800
90 3 7/16 3 1/2	UCP318D1 UCP318-307D1 UCP318-308D1	118 4 21/32	430 16 15/16	330 13	110 4 11/32	33 1 5/16	45 1 25/32	45 1 25/32	235 9 1/4	96 3.780	40 1.575	M27 1	P318D1 P318D1 P318D1	UC318D1 UC318-307D1 UC318-308D1	32,000	24,100
95 3 3/4	UCP319D1 UCP319-312D1	125 4 29/32	470 18 1/2	360 14 3/16	120 4 23/32	36 1 13/32	50 1 31/32	45 1 25/32	250 9 27/32	103 4.055	41 1.614	M30 1 1/8	P319D1 P319D1	UC319D1 UC319-312D1	34,500	26,600
100 3 15/16 4	UCP320D1 UCP320-315D1 UCP320-400D1	140 5 1/2	490 19 9/32	380 14 31/32	120 4 23/32	36 1 13/32	50 1 31/32	50 1 31/32	275 10 13/16	108 4.252	42 1.654	M30 1 1/8	P320D1 P320D1 P320D1	UC320D1 UC320-315D1 UC320-400D1	39,000	31,500
105	UCP321D1	140	490	380	120	36	50	50	280	112	44	M30	P321D1	UC321D1	41,400	34,500
110	UCP322D1	150	520	400	140	40	55	55	300	117	46	M33	P322D1	UC322D1	46,100	40,500
120	UCP324D1	160	570	450	140	40	55	65	320	126	51	M33	P324D1	UC324D1	46,600	41,500
130	UCP326D1	180	600	480	140	40	55	75	355	135	54	M33	P326D1	UC326D1	51,500	48,000
140	UCP328D1	200	620	500	140	40	55	75	390	145	59	M33	P328D1	UC328D1	56,900	55,500



Units: Millimeters
INCHES

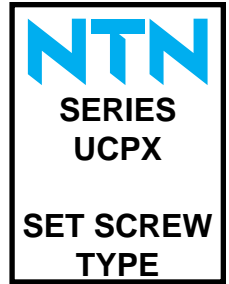


PILLOW BLOCKS - CAST HOUSING

Shaft Dia.	Complete Pillow Block Number	Nominal Dimensions										Bolt Size	Housing Number	Bearing Number	Basic Load Ratings (lbs)	
		h	a	e	b	s ₁	s ₂	g	w	Bi	n				Dynamic C	Static C ₀
25 1 3/16 7/8 15/16 1	UCPX05D1 UCPX05-013D1 UCPX05-014D1 UCPX05-015D1 UCPX05-100D1	44.4 1 3/4	159 6 1/4	119 4 11/16	51 2	17 2 1/32	20 25/32	18 23/32	85 3 11/32	38.1 1.500	15.9 0.626	M14 1/2	PX05D1 PX05D1 PX05D1 PX05D1 PX05D1	UCX05D1 UCX05-013D1 UCX05-014D1 UCX05-015D1 UCX05-100D1	4,390	2,540
30 1 1/16 1 1/8 1 3/16 1 1/4	UCPX06D1 UCPX06-101D1 UCPX06-102D1 UCPX06-103D1 UCPX06-104D1	47.6 1 7/8	175 6 7/8	127 5	57 2 1/4	17 2 1/32	20 25/32	20 25/32	93 3 2 1/32	42.9 1.689	17.5 0.689	M14 1/2	PX06D1 PX06D1 PX06D1 PX06D1 PX06D1	UCX06D1 UCX06-101D1 UCX06-102D1 UCX06-103D1 UC207-104D1	5,780	3,440
35 1 9/16 1 3/8 1 7/16	UCPX07D1 UCPX07-105D1 UCPX07-106D1 UCPX07-107D1	54 2 1/8	203 8	144 5 2 1/32	57 2 1/4	17 2 1/32	20 25/32	21 1 1/16	105 4 1/8	49.2 1.937	19 0.748	M14 1/2	PX07D1 PX07D1 PX07D1 PX07D1	UCX07D1 UCX07-105D1 UCX07-106D1 UCX07-107D1	6,550	4,000
40 1 1/2 1 9/16	UCPX08D1 UCPX08-108D1 UCPX08-109D1	58.7 2 5/16	222 8 3/4	156 6 5/32	67 2 5/8	20 25/32	23 29/32	26 1 1/32	111 4 3/8	49.2 1.937	19 0.748	M16 5/8	PX08D1 PX08D1 PX08D1	UCX08D1 UCX08-108D1 UCX08-109D1	7,310	4,590
45 1 5/8 1 1 1/16 1 3/4 1 13/16	UCPX09D1 UCPX09-110D1 UCPX09-111D1 UCPX09-112D1 UCPX09-113D1	58.7 2 5/16	222 8 3/4	156 6 5/32	67 2 5/8	20 25/32	23 29/32	26 1 1/32	116 4 9/16	51.6 2.031	19 0.748	M16 5/8	PX09D1 PX09D1 PX09D1 PX09D1 PX09D1	UCX09D1 UCX09-110D1 UCX09-111D1 UCX09-112D1 UC210-113D1	7,870	5,220
50 1 7/8 1 15/16 2	UCPX10D1 UCPX10-114D1 UCPX10-115D1 UCPX10-200D1	63.5 2 1/2	241 9 1/2	171 6 29/32	73 2 7/8	20 25/32	23 29/32	27 1 1/16	126 4 3 1/32	55.6 2.189	22.2 0.874	M16 5/8	PX10D1 PX10D1 PX10D1 PX10D1	UCX10D1 UCX10-114D1 UCX10-115D1 UC211-200D1	9,780	6,570
55 2 1/16 2 1/8 2 3/16 2 1/4 2 5/16	UCPX11D1 UCPX11-201D1 UCPX11-202D1 UCPX11-203D1 UCPX11-204D1 UCPX11-205D1	69.8 2 3/4	260 10 1/4	184 7 1/4	79 3 1/8	25 3 1/32	28 1 3/32	30 1 3/16	137 5 1 3/32	65.1 2.563	25.4 1.000	M20 3/4	PX11D1 PX11D1 PX11D1 PX11D1 PX11D1 PX11D1	UCX11D1 UCX11-201D1 UCX11-202D1 UCX11-203D1 UC212-204D1 UC212-205D1	11,810	8,100
60 2 3/8 2 7/16	UCPX12D1 UCPX12-206D1 UCPX12-207D1	76.2 3	286 11 1/4	203 8	83 3 9/32	25 3 1/32	28 1 3/32	33 1 5/16	151 5 15/16	65.1 2.563	25.4 1.000	M20 3/4	PX12D1 PX12D1 PX12D1	UCX12D1 UCX12-206D1 UCX12-207D1	12,930	9,000
65 2 1/2 2 9/16	UCPX13D1 UCPX13-208D1 UCPX13-209D1	76.2 3	286 11 1/4	203 8	83 3 9/32	25 3 1/32	28 1 3/32	33 1 5/16	154 6 1/16	74.6 2.937	30.2 1.189	M20 3/4	PX13D1 PX13D1 PX13D1	UCX13D1 UCX13-208D1 UCX13-209D1	13,940	9,900
70 2 5/8 2 1 1/16 2 3/4	UCPX14D1 UCPX14-210D1 UCPX14-211D1 UCPX14-212D1	88.9 3 1/2	330 13	229 9 1/32	89 3 1/2	27 1 1/16	30 1 1/16	35 1 3/8	170 6 1 1/16	77.8 3.063	33.3 1.311	M22 7/8	PX14D1 PX14D1 PX14D1 PX14D1	UCX14D1 UCX14-210D1 UCX14-211D1 UCX14-212D1	14,840	11,130
75 2 13/16 2 7/8 2 15/16 3	UCPX15D1 UCPX15-213D1 UCPX15-214D1 UCPX15-215D1 UCPX15-300D1	88.9 3 1/2	330 13	229 9 1/32	89 3 1/2	27 1 1/16	30 1 1/16	35 1 3/8	175 6 7/8	82.6 3.252	33.3 1.311	M22 7/8	PX15D1 PX15D1 PX15D1 PX15D1 PX15D1	UCX15D1 UCX15-213D1 UCX15-214D1 UCX15-215D1 UCX15-300D1	16,310	11,920

Continued next page ...

Units: Millimeters
INCHES



PILLOW BLOCKS - CAST HOUSING																
Shaft Dia.	Complete Pillow Block Number	Nominal Dimensions										Bolt Size	Housing Number	Bearing Number	Basic Load Ratings (lbs)	
		h	a	e	b	s ₁	s ₂	g	w	Bi	n				Dynamic C	Static C ₀
80 3 1/8 3 3/16 3 1/4	UCPX16D1 UCPX16-302D1 UCPX16-303D1 UCPX16-304D1	101.6 4	381 15	283 11 5/32	102 4 1/32	27 1 1/16	30 1 3/16	40 1 9/16	194 7 5/8	85.7 3.374	34.1 1.343	M22 7/8	PX16D1 PX16D1 PX16D1 PX16D1	UCX16D1 UCX16-302D1 UCX16-303D1 UC217-304D1	18,780	14,390
85 3 5/16 3 7/16	UCPX17D1 UCPX17-305D1 UCPX17-307D1	101.6 4	381 15	283 11 5/32	102 4 1/32	27 1 1/16	30 1 3/16	40 1 9/16	200 7 7/8	96 3.780	39.7 1.563	M22 7/8	PX17D1 PX17D1 PX17D1	UCX17D1 UCX17-305D1 UCX17-307D1	21,590	16,080
90 3 1/2	UCPX18D1 UCPX18-308D1	101.6 4	381 15	283 11 5/32	111 4 3/8	27 1 1/16	30 1 3/16	40 1 9/16	206 8 1/8	104 4.094	42.9 1.689	M22 7/8	PX18D1 PX18D1	UCX18D1 UCX18-308D1	24,520	18,440
100 3 7/8 3 15/16 4	UCPX20D1 UCPX20-314D1 UCPX20-315D1 UCPX20-400D1	127 5	432 17	337 13 9/32	121 4 3/4	33 1 5/16	36 1 13/32	45 1 25/32	244 9 19/32	117.5 4.626	49.2 1.937	M27 1	PX20D1 PX20D1 PX20D1 PX20D1	UCX20D1 UCX20-314D1 UCX20-315D1 UCX20-400D1	29,910	23,620



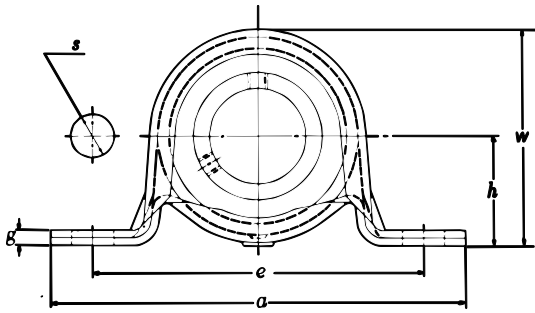
Units: Millimeters
INCHES



PILLOW BLOCKS - CAST HOUSING (LOW CENTER HEIGHT)																
Shaft Dia.	Complete Pillow Block Number	Nominal Dimensions										Bolt Size	Housing Number	Bearing Number	Basic Load Ratings (lbs)	
		h	a	e	b	s ₁	s ₂	g	w	Bi	n				Dynamic C	Static C ₀
12 ½	ASPL201 ASPL201-008	26.99 1 ¼	121 4 ¾	89 3 ½	35 1 ⅜	11 7/16	14 9/16	13 ½	54 2 ⅛	22 .866	6 .236	M10 ⅜	PL201 PL201	AS201 AS201-008	2,160	1,040
15 9/16 5/8	ASPL202 ASPL202-009 ASPL202-010	26.99 1 ¼	121 4 ¾	89 3 ½	35 1 ⅜	11 7/16	14 9/16	13 ½	54 2 ⅛	22 .866	6 .236	M10 ⅜	PL201 PL201 PL201	AS202 AS202-009 AS202-010	2,160	1,040
17 1 1/16	ASPL203 ASPL203-011	26.99 1 ¼	121 4 ¾	89 3 ½	35 1 ⅜	11 7/16	14 9/16	13 ½	54 2 ⅛	22 .866	6 .236	M10 ⅜	PL201 PL201	AS203 AS203-011	2,160	1,040
20 ¾	ASPL204 ASPL204-012	31.75 1 ¼	127 5	95 3 ¾	38 1 ½	13 ½	16 5/8	14 9/16	64 2 17/32	25 .984	7 .276	M10 ⅜	PL204 PL204	AS204 AS204-012	2,890	1,500
25 1 3/16 7/8 15/16 1	ASPL205 ASPL205-013 ASPL205-014 ASPL205-015 ASPL205-100	33.34 1 5/16	140 5 ½	105 4 1/8	38 1 ½	13 ½	16 5/8	15 19/32	68 2 11/16	27 1.063	7.5 .295	M10 ⅜	PL205 PL205 PL205 PL205	AS205 AS205-013 AS205-014 AS205-015 AS205-100	3,150	1,770
30 1 1/16 1 1/8 1 3/16 1 ¼	ASPL206 ASPL206-101 ASPL206-102 ASPL206-103 ASPL206-104	39.69 1 9/16	165 6 ½	121 4 ¾	48 1 7/8	17 21/32	20 25/32	17 21/32	80 3 5/32	29 1.142	8 .315	M14 ½	PL206 PL206 PL206 PL206	AS206 AS206-101 AS206-102 AS206-103 AS206-104	4,400	2,540
35 1 ¼ 1 5/16 1 ¾ 1 7/16	ASPL207 ASPL207-104 ASPL207-105 ASPL207-106 ASPL207-107	46.04 1 13/16	167 6 9/16	127 5	48 1 7/8	17 21/32	20 25/32	18 23/32	91 3 19/32	34 1.339	8.5 .335	M14 ½	PL207 PL207 PL207 PL207	AS207 AS207-104 AS207-105 AS207-106 AS207-107	5,750	3,440

Note: ASPL201 - ASPL205 have a solid base

Units: Millimeters
INCHES



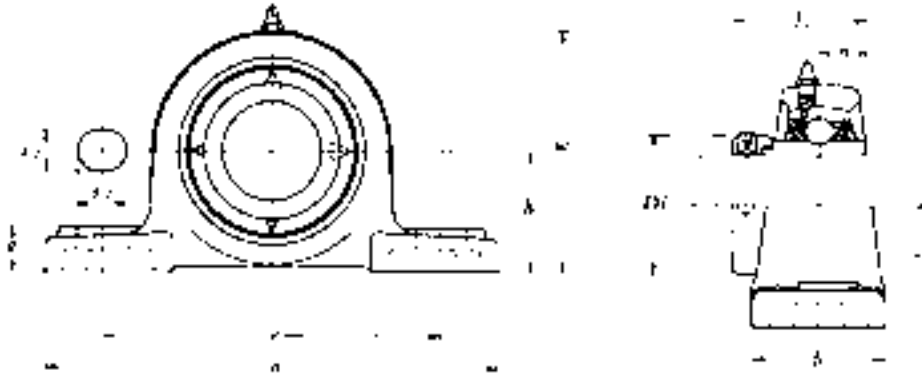
PILLOW BLOCKS - PRESSED STEEL HOUSING																
Shaft Dia.	Complete Pillow Block Number	Nominal Dimensions									Bolt Size	Housing Number	Bearing Number	Basic Load Ratings (lbs)		Max. Radial Load (lbs)
		h	a	e	b	s	g	w	Bi	n				Dynamic C	Static C ₀	
12 1/2	ASPP201 ASPP201-008	22.2 7/8	86 3 3/8	68 2 11/16	25 3 1/32	9.5 3/8	3.2 .126	43.8 1 23/32	22 .866	6 .236	M8 5/16	PP203 PP203	AS201 AS201-008	2,160	1,040	440
15 9/16 5/8	ASPP202 ASPP202-009 ASPP202-010	22.2 7/8	86 3 3/8	68 2 11/16	25 3 1/32	9.5 3/8	3.2 .126	43.8 1 23/32	22 .866	6 .236	M8 5/16	PP203 PP203 PP203	AS202 AS202-009 AS202-010	2,160	1,040	440
17 1 1/16	ASPP203 ASPP203-011	22.2 7/8	86 3 3/8	68 2 11/16	25 3 1/32	9.5 3/8	3.2 .126	43.8 1 23/32	22 .866	6 .236	M8 5/16	PP203 PP203	AS203 AS203-011	2,160	1,040	440
20 3/4	ASPP204 ASPP204-012	25.4 1	98 3 27/32	76 3	32 1 1/4	9.5 3/8	3.2 .126	50.5 2	25 .984	7 .276	M8 5/16	PP204 PP204	AS204 AS204-012	2,890	1,500	550
25 1 3/16 7/8 1 5/16 1	ASPP205 ASPP205-013 ASPP205-014 ASPP205-015 ASPP205-100	28.6 1 1/8	108 4 1/4	86 3 3/8	32 1 1/4	11 7/16	4 .157	56.6 2 7/32	27 1.063	7.5 .295	M10 3/8	PP205 PP205 PP205 PP205 PP205	AS205 AS205-013 AS205-014 AS205-015 AS205-100	3,150	1,770	770
30 1 1/16 1 1/8 1 3/16 1 1/4	ASPP206 ASPP206-101 ASPP206-102 ASPP206-103 ASPP206-104	33.3 1 5/16	117 4 19/32	95 3 3/4	38 1 1/2	11 7/16	4 .157	66.3 2 5/8	29 1.142	8 .315	M10 3/8	PP206 PP206 PP206 PP206 PP206	AS206 AS206-101 AS206-102 AS206-103 AS206-104	4,400	2,540	880
35 1 1/4 1 5/16 1 3/8 1 7/16	ASPP207 ASPP207-104 ASPP207-105 ASPP207-106 ASPP207-107	39.7 1 9/16	129 5 3/32	106 4 3/16	42 1 21/32	11 7/16	4.6 .181	78 3 1/16	34 1.339	8.5 .335	M10 3/8	PP207 PP207 PP207 PP207 PP207	AS207 AS207-104 AS207-105 AS207-106 AS207-107	5,750	3,440	990

Axial load should be less than 1/3 of radial load.

NTN

**SERIES
UELP2
ECCENTRIC
LOCKING
COLLAR
TYPE**

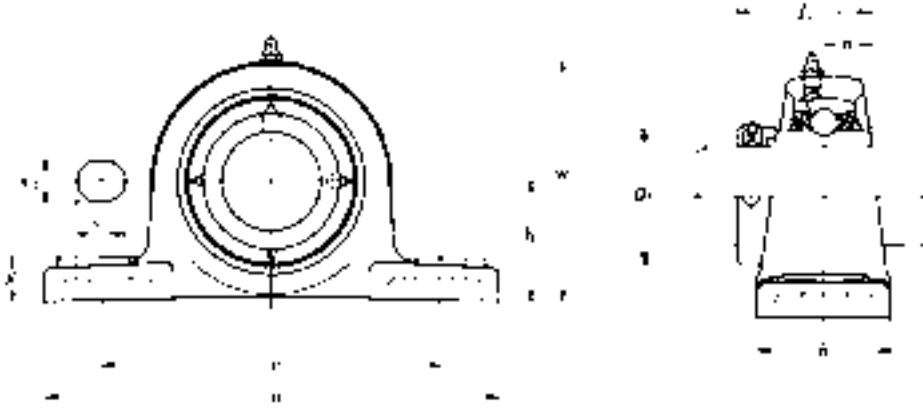
Units: Millimeters
INCHES



PILLOW BLOCKS - CAST HOUSING

Shaft Dia.	Complete Pillow Block Number	Nominal Dimensions											Bolt Size	Housing Number	Bearing Number	Basic Load Ratings (lbs)	
		<i>h</i>	<i>a</i>	<i>e</i>	<i>b</i>	<i>s</i> ₁	<i>s</i> ₂	<i>g</i>	<i>w</i>	<i>D</i> _i	<i>L</i>	<i>n</i>				Dynamic <i>C</i>	Static <i>C</i> ₀
20 3/4	UELP204D1 UELP204-012D1	33.3 1 5/16	127 5	95 3 3/4	38 1 1/2	13 1/2	16 5/8	14 9/16	65 2 9/16	33.3 1.31	43.7 1.720	17.1 .673	M10 3/8	P204D1 P204D1	UEL204D1 UEL204-012D1	2,890	1,500
25 1 3/16 7/8 1 1/16 1	UELP205D1 UELP205-013D1 UELP205-014D1 UELP205-015D1 UELP205-100D1	36.5 1 7/16	140 5 1/2	105 4 1/8	38 1 1/2	13 1/2	16 5/8	15 1 1/8	71 2 25/32	38.1 1.50	44.4 1.748	17.5 .689	M10 3/8	P205D1 P205D1 P205D1 P205D1 P205D1	UEL205D1 UEL205-013D1 UEL205-014D1 UEL205-015D1 UEL205-100D1	3,150	1,770
30 1 1/16 1 1/8 1 3/16 1 1/4	UELP206D1 UELP206-101D1 UELP206-102D1 UELP206-103D1 UELP206-104D1	42.9 1 11/16	165 6 1/2	121 4 3/4	48 1 7/8	17 2 1/32	20 25/32	17 2 1/32	83 3 3/32	44.5 1.75	48.4 1.906	18.3 .720	M14 1/2	P206D1 P206D1 P206D1 P206D1 P206D1	UEL206D1 UEL206-101D1 UEL206-102D1 UEL206-103D1 UEL206-104D1	4,400	2,540
35 1 1/4 1 5/16 1 3/8 1 7/16	UELP207D1 UELP207-104D1 UELP207-105D1 UELP207-106D1 UELP207-107D1	47.6 1 7/8	167 6 9/16	127 5	48 1 7/8	17 2 1/32	20 25/32	18 23/32	93 3 21/32	55.6 2.19	51.1 2.012	18.8 .740	M14 1/2	P207D1 P207D1 P207D1 P207D1 P207D1	UEL207D1 UEL207-104D1 UEL207-105D1 UEL207-106D1 UEL207-107D1	5,750	3,440
40 1 1/2 1 9/16	UELP208D1 UELP208-108D1 UELP208-109D1	49.2 1 15/16	184 7 1/4	137 5 13/32	54 2 1/8	17 2 1/32	20 25/32	18 23/32	98 3 27/32	60.2 2.37	56.3 2.217	21.4 .843	M14 1/2	P208D1 P208D1 P208D1	UEL208D1 UEL208-108D1 UEL208-109D1	6,550	4,000
45 1 5/8 1 11/16 1 3/4	UELP209D1 UELP209-110D1 UELP209-111D1 UELP209-112D1	54 2 1/8	190 7 15/32	146 5 3/4	54 2 1/8	17 2 1/32	20 25/32	20 25/32	106 4 3/16	63.5 2.50	56.3 2.217	21.4 .843	M14 1/2	P209D1 P209D1 P209D1 P209D1	UEL209D1 UEL209-110D1 UEL209-111D1 UEL209-112D1	7,350	4,590
50 1 13/16 1 7/8 1 15/16 2	UELP210D1 UELP210-113D1 UELP210-114D1 UELP210-115D1 UELP210-200D1	57.2 2 1/4	206 8 1/8	159 6 1/4	60 2 3/8	20 25/32	23 29/32	21 13/16	114 4 1/2	69.9 2.75	62.7 2.469	24.6 .969	M16 5/8	P210D1 P210D1 P210D1 P210D1 P210D1	UEL210D1 UEL210-113D1 UEL210-114D1 UEL210-115D1 UEL210-200D1	7,900	5,220
55 2 2 1/16 2 1/8 2 3/16	UELP211D1 UELP211-200D1 UELP211-201D1 UELP211-202D1 UELP211-203D1	63.5 2 1/2	219 8 5/8	171 6 23/32	60 2 3/8	20 25/32	23 29/32	23 29/32	126 4 31/32	76.2 3.00	71.4 2.811	27.8 1.094	M16 3/8	P211D1 P211D1 P211D1 P211D1 P211D1	UEL211D1 UEL211-200D1 UEL211-201D1 UEL211-202D1 UEL211-203D1	9,750	6,570
60 2 1/4 2 3/8 2 7/16	UELP212D1 UELP212-204D1 UELP212-206D1 UELP212-207D1	69.8 2 3/4	241 9 1/2	184 7 1/4	70 2 3/4	20 25/32	23 29/32	25 31/32	138 5 7/16	84.1 3.31	77.8 3.063	31 1.220	M16 5/8	P212D1 P212D1 P212D1 P212D1	UEL212D1 UEL212-204D1 UEL212-206D1 UEL212-207D1	11,800	8,100
65 2 1/2	UELP213D1 UELP213-208D1	76.2 3	265 10 7/16	203 8	70 2 3/4	25 31/32	28 1 1/32	27 1 1/16	151 5 15/16	97.0 3.82	85.7 3.374	34.15 1.344	M20 3/4	P213D1 P213D1	UEL213D1 UEL213-208D1	12,900	9,000
70 2 11/16 2 3/4	UELP214D1 UELP214-211D1 UELP214-212D1	79.4 3 3/8	266 10 15/32	210 8 9/32	72 2 27/32	25 31/32	28 1 3/32	27 1 1/16	157 6 3/16	97.0 3.82	85.7 3.374	34.15 1.344	M20 3/4	P214D1 P214D1 P214D1	UEL214D1 UEL214-211D1 UEL214-212D1	14,000	9,900
75 2 15/16 3	UELP215D1 UELP215-215D1 UELP215-300D1	82.6 3 1/4	275 10 13/16	217 8 17/32	74 2 29/32	25 31/32	28 1 3/32	28 1 3/32	163 6 13/32	97.0 3.82	92 3.622	37.3 1.469	M20 3/4	P215D1 P215D1 P215D1	UEL215D1 UEL215-215D1 UEL215-300D1	14,900	11,130

Units: Millimeters
INCHES

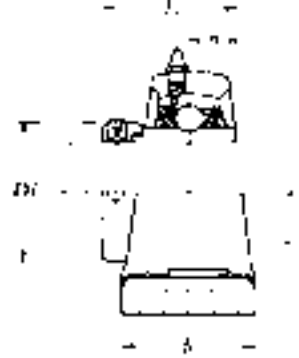
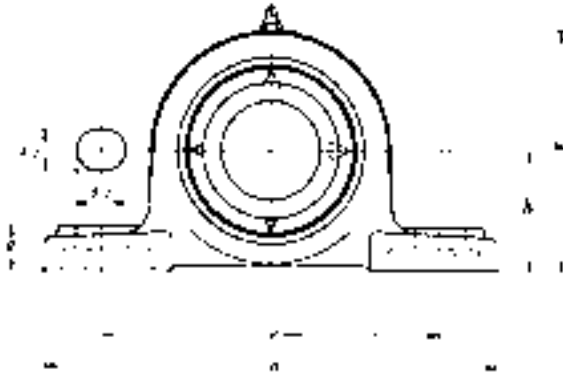


PILLOW BLOCKS - CAST HOUSING (LOW CENTER HEIGHT)																	
Shaft Dia.	Complete Pillow Block Number	Nominal Dimensions											Bolt Size	Housing Number	Bearing Number	Basic Load Ratings (lbs)	
		h	a	e	b	s ₁	s ₂	g	w	Di	L	n				Dynamic C	Static C ₀
20 3/4	UELPL204D1	31.75	127	95	38	13	16	14	64	33.3	43.7	17.1	M10	PL204D1	UEL204D1	2,890	1,500
	UELPL204-012D1	1 1/4	5	3 3/4	1 1/2	1/2	5/8	9/16	2 17/32	1.31	1.920	.673	3/8	PL204D1	UEL204-012D1		
25 1 3/16 7/8 15/16 1	UELPL205D1	33.34	140	105	38	13	16	15	68	38.1	44.4	17.5	M10	PL205D1	UEL205D1	3,150	1,770
	UELPL205-013D1	1 5/16	5 1/2	4 1/8	1 1/2	1/2	5/8	19/32	2 1 1/16	1.50	1.748	.689	3/8	PL205D1	UEL205-013D1		
	UELPL205-014D1													PL205D1	UEL205-014D1		
	UELPL205-015D1													PL205D1	UEL205-015D1		
UELPL205-100D1														PL205D1	UEL205-100D1		
30 1 1/16 1 1/8 1 3/16 1 1/4	UELPL206D1	39.69	165	121	48	17	20	17	80	44.5	48.4	18.3	M14	PL206D1	UEL206D1	4,400	2,540
	UELPL206-101D1	1 5/16	6 1/2	4 3/4	1 7/8	2 1/32	25/32	2 1/32	3 3/32	1.75	1.906	.720	1/2	PL206D1	UEL206-101D1		
	UELPL206-102D1													PL206D1	UEL206-102D1		
	UELPL206-103D1													PL206D1	UEL206-103D1		
UELPL206-104D1														PL206D1	UEL206-104D1		
35 1 1/4 1 5/16 1 3/8 1 7/16	UELPL207D1	46.04	167	127	48	17	20	18	91	55.6	51.1	18.8	M14	PL207D1	UEL207D1	5,750	3,440
	UELPL207-104D1	1 13/16	6 9/16	5	1 7/8	2 1/32	25/32	23/32	3 19/32	2.19	2.012	.740	1/2	PL207D1	UEL207-104D1		
	UELPL207-105D1													PL207D1	UEL207-105D1		
	UELPL207-106D1													PL207D1	UEL207-106D1		
UELPL207-107D1														PL207D1	UEL207-107D1		
45 1 5/8 1 11/16 1 3/4	UELPL209D1	52.39	190	146	54	17	20	20	104	63.5	56.3	21.4	M14	PL209D1	UEL209D1	7,350	4,590
	UELPL209-110D1	2 1/16	7 15/32	5 3/4	2 1/8	2 1/32	25/32	29/32	4 3/32	2.50	2.217	.843	1/2	PL209D1	UEL209-110D1		
	UELPL209-111D1													PL209D1	UEL209-111D1		
UELPL209-112D1														PL209D1	UEL209-112D1		
50 1 13/16 1 7/8 1 15/16 2	UELPL210D1	55.56	206	159	60	20	23	21	112	69.9	62.7	24.6	M16	PL210D1	UEL210D1	7,900	5,220
	UELPL210-113D1	2 3/16	8 1/8	6 1/4	2 3/8	25/32	29/32	1 13/16	4 1 3/32	2.75	2.469	.969	3/8	PL210D1	UEL210-113D1		
	UELPL210-114D1													PL210D1	UEL210-114D1		
	UELPL210-115D1													PL210D1	UEL210-115D1		
UELPL210-200D1														PL210D1	UEL210-200D1		

Note: These numbers indicate relubricatable type. If maintenance free type is needed, please order without suffix D1
 UELPL204 and UELPL205 have solid bases.
 UELPL208 has the same dimensions as UELP208 shown on page 164

NTN
SERIES
UELP3
ECCENTRIC
LOCKING
COLLAR
TYPE

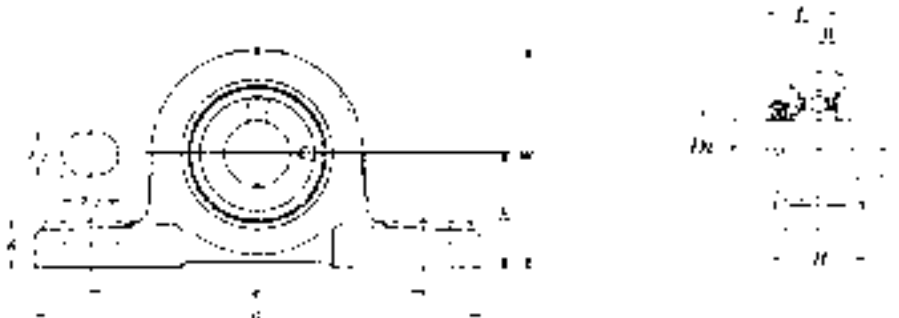
Units: Millimeters
 INCHES



PILLOW BLOCKS - CAST HOUSING

Shaft Dia.	Complete Pillow Block Number	Nominal Dimensions											Bolt Size	Housing Number	Bearing Number	Basic Load Ratings (lbs)	
		h	a	e	b	s ₁	s ₂	g	w	Di	L	n				Dynamic C	Static C ₀
25 7/8 15/16 1	UEL305D1 UEL305-014D1 UEL305-015D1 UEL305-100D1	45 1 49/64	175 6 7/8	132 5 3/16	45 1 25/32	17 21/32	20 25/32	15 19/32	85 3 11/32	42.8 1.69	46.8 1.843	16.7 .657	M14 1/2	P305D1 P305D1 P305D1 P305D1	UEL305D1 UEL305-014D1 UEL305-015D1 UEL305-100D1	4,750	2,460
30 1 1/8 1 3/16	UEL306D1 UEL306-102D1 UEL306-103D1	50 1 31/32	180 7 3/32	140 5 1/2	50 1 31/32	17 21/32	20 25/32	18 23/32	95 3 3/4	50 1.97	50 1.969	17.5 .689	M14 1/2	P306D1 P306D1 P306D1	UEL306D1 UEL306-102D1 UEL306-103D1	6,000	3,400
35 1 1/4 1 5/16 1 3/8 1 7/16	UEL307D1 UEL307-104D1 UEL307-105D1 UEL307-106D1 UEL307-107D1	56 2 13/64	210 8 9/32	160 6 5/16	56 2 7/32	17 21/32	25 31/32	20 29/32	106 4 3/16	55 2.17	51.6 2.031	18.3 .720	M14 1/2	P307D1 P307D1 P307D1 P307D1 P307D1	UEL307D1 UEL307-104D1 UEL307-105D1 UEL307-106D1 UEL307-107D1	7,500	4,300
40 1 1/2	UEL308D1 UEL308-108D1	60 2 23/64	220 8 21/32	170 6 11/16	60 2 3/8	17 21/32	27 1 1/16	22 7/8	116 4 9/16	63.5 2.50	57.1 2.248	19.8 .780	M14 1/2	P308D1 P308D1	UEL308D1 UEL308-108D1	9,150	5,400
45 1 5/8 1 11/16 1 3/4	UEL309D1 UEL309-110D1 UEL309-111D1 UEL309-112D1	67 2 41/64	245 9 21/32	190 7 15/32	67 2 5/8	20 25/32	30 1 3/16	24 15/16	129 5 3/32	70 2.76	58.7 2.311	19.8 .780	M16 5/8	P309D1 P309D1 P309D1 P309D1	UEL309D1 UEL309-110D1 UEL309-111D1 UEL309-112D1	11,900	7,200
50 1 7/8 1 15/16	UEL310D1 UEL310-114D1 UEL310-115D1	75 2 61/64	275 10 13/16	212 8 11/32	75 2 15/16	20 25/32	35 1 3/8	27 1 1/16	143 5 5/8	76.2 3.00	66.6 2.622	24.6 .969	M16 5/8	P310D1 P310D1 P310D1	UEL310D1 UEL310-114D1 UEL310-115D1	13,900	8,600
55 2 2 1/8 2 3/16	UEL311D1 UEL311-200D1 UEL311-202D1 UEL311-203D1	80 3 5/32	310 12 7/32	236 9 9/32	80 3 3/32	20 25/32	38 1 1/2	30 1 3/16	154 6 1/16	83 3.27	73 2.874	27.8 1.094	M16 5/8	P311D1 P311D1 P311D1 P311D1	UEL311D1 UEL311-200D1 UEL311-202D1 UEL311-203D1	16,100	10,100
60 2 1/4 2 3/8 2 7/16	UEL312D1 UEL312-204D1 UEL312-206D1 UEL312-207D1	85 3 11/32	330 13	250 9 27/32	85 3 11/32	25 31/32	38 1 1/2	32 1 1/4	165 6 1/2	89 3.50	79.4 3.126	30.95 1.219	M20 3/4	P312D1 P312D1 P312D1 P312D1	UEL312D1 UEL312-204D1 UEL312-206D1 UEL312-207D1	18,400	11,700
65 2 1/2	UEL313D1 UEL313-208D1	90 3 35/64	340 13 3/8	260 10 1/4	90 3 17/32	25 31/32	38 1 1/2	33 1 9/16	176 6 15/16	97 3.82	85.7 3.374	32.55 1.281	M20 3/4	P313D1 P313D1	UEL313D1 UEL313-208D1	20,800	13,400
70 2 11/16 2 3/4	UEL314D1 UEL314-211D1 UEL314-212D1	95 3 47/64	360 14 3/16	280 11 1/32	90 3 17/32	27 1 1/16	40 1 9/16	35 1 3/8	187 7 3/8	102 4.00	92.1 3.626	34.15 1.344	M22 7/8	P314D1 P314D1 P314D1	UEL314D1 UEL314-211D1 UEL314-212D1	23,400	15,300
75 2 15/16 3	UEL315D1 UEL315-215D1 UEL315-300D1	100 3 15/16	380 14 31/32	290 11 13/32	100 3 15/16	27 1 1/16	40 1 9/16	35 1 3/8	198 7 25/32	113 4.45	100 3.937	37.3 1.469	M22 7/8	P315D1 P315D1 P315D1	UEL315D1 UEL315-215D1 UEL315-300D1	25,500	17,400
80 3 1/8 3 3/16	UEL316D1 UEL316-302D1 UEL316-303D1	106 4 11/64	400 15 3/4	300 11 13/16	110 4 11/32	27 1 1/16	40 1 9/16	40 1 9/16	210 8 9/32	119 4.69	106.4 4.189	40.5 1.594	M22 7/8	P316D1 P316D1 P316D1	UEL316D1 UEL316-302D1 UEL316-303D1	27,600	19,500
85 3 1/4	UEL317D1 UEL317-304D1	112 4 13/32	420 16 17/32	320 12 19/32	110 4 11/32	33 1 5/16	45 1 25/32	40 1 9/16	220 8 21/32	127 5.00	109.5 4.311	42.05 1.656	M27 1	P317D1 P317D1	UEL317D1 UEL317-304D1	29,800	21,800
90 3 7/16 3 1/2	UEL318D1 UEL318-307D1 UEL318-308D1	118 4 41/64	430 16 15/16	330 13	110 4 11/32	33 1 5/16	45 1 25/32	45 1 25/32	235 9 1/4	133 5.24	115.9 4.563	43.65 1.719	M27 1	P318D1 P318D1 P318D1	UEL318D1 UEL318-307D1 UEL318-308D1	32,000	24,100
95 3 3/4	UEL319D1 UEL319-312D1	125 4 59/64	470 18 1/2	360 14 3/16	120 4 23/32	36 1 13/32	50 1 31/32	45 1 25/32	250 9 27/32	140 5.50	122.3 4.815	38.9 1.531	M30 1 1/8	P319D1 P319D1	UEL319D1 UEL319-312D1	34,500	26,600
100 3 15/16 4	UEL320D1 UEL320-315D1 UEL320-400D1	140 5 39/64	490 19 9/32	380 14 31/32	120 4 23/32	36 1 13/32	50 1 31/32	50 1 31/32	275 10 13/16	146 5.75	128.6 5.063	50 1.969	M30 1 1/8	P320D1 P320D1 P320D1	UEL320D1 UEL320-315D1 UEL320-400D1	39,000	31,500
105	UEL321D1	140	490	380	120	36	50	50	280	157	139.7	48.4	M30	P321D1	UEL321D1	41,500	34,500
110	UEL322D1	150	520	400	140	40	55	55	300	168	141.3	49.2	M33	P322D1	UEL322D1	46,000	40,500

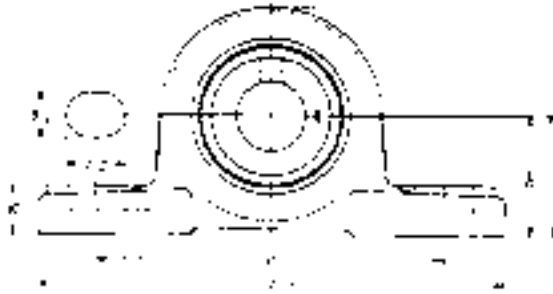
Units: Millimeters
INCHES



PILLOW BLOCKS - CAST HOUSING (LOW CENTER HEIGHT)																	
Shaft Dia.	Complete Pillow Block Number	Nominal Dimensions											Bolt Size	Housing Number	Bearing Number	Basic Load Ratings (lbs)	
		<i>h</i>	<i>a</i>	<i>e</i>	<i>b</i>	<i>s</i> ₁	<i>s</i> ₂	<i>g</i>	<i>w</i>	<i>Di</i>	<i>L</i>	<i>n</i>				Dynamic <i>C</i>	Static <i>C</i> ₀
12 1/2	JELPL201 JELPL201-008	26.99 1 1/16	121 4 3/4	89 3 1/2	35 1 3/8	11 7/16	14 9/16	13 1/2	54 2 1/8	29 1.14	28.6 1.126	6.5 .256	M10 3/8	PL201 PL201	JEL201 JEL201-008	2,160	1,030
15 9/16 5/8	JELPL202 JELPL202-009 JELPL202-010	26.99 1 1/16	121 4 3/4	89 3 1/2	35 1 3/8	11 7/16	14 9/16	13 1/2	54 2 1/8	29 1.14	28.6 1.126	6.5 .256	M10 3/8	PL201 PL201 PL201	JEL202 JEL202-009 JEL202-010	2,160	1,030
17 11/16	JELPL203 JELPL203-011	26.99 1 1/16	121 4 3/4	89 3 1/2	35 1 3/8	11 7/16	14 9/16	13 1/2	54 2 1/8	29 1.14	28.6 1.126	6.5 .256	M10 3/8	PL201 PL201	JEL203 JEL203-011	2,160	1,030
20 3/4	JELPL204 JELPL204-012	31.75 1 1/4	127 5	95 3 3/4	38 1 1/2	13 1/2	16 5/8	14 9/16	64 2 17/32	33.3 1.31	31 1.220	7.5 .295	M10 3/8	PL204 PL204	JEL204 JEL204-012	2,890	1,500
25 13/16 7/8 15/16 1	JELPL205 JELPL205-013 JELPL205-014 JELPL205-015 JELPL205-100	33.34 1 5/16	140 5 1/2	105 4 1/8	38 1 1/2	13 1/2	16 5/8	15 19/32	68 2 11/16	38.1 1.50	31 1.220	7.5 .295	M10 3/8	PL205 PL205 PL205 PL205 PL205	JEL205 JEL205-013 JEL205-014 JEL205-015 JEL205-100	3,150	1,770
30 1 1/16 1 1/8 1 3/16 1 1/4	JELPL206 JELPL206-101 JELPL206-102 JELPL206-103 JELPL206-104	39.69 1 9/16	165 6 1/2	121 4 3/4	48 1 7/8	17 21/32	20 25/32	17 21/32	80 3 5/32	44.5 1.75	35.7 1.406	9 .354	M14 1/2	PL206 PL206 PL206 PL206 PL206	JEL206 JEL206-101 JEL206-102 JEL206-103 JEL206-104	4,400	2,540
35 1 1/4 1 5/16 1 3/8 1 7/16	JELPL207 JELPL207-104 JELPL207-105 JELPL207-106 JELPL207-107	46.04 1 13/16	167 6 9/16	127 5	48 1 7/8	17 21/32	20 25/32	18 23/32	91 3 19/32	55.6 2.19	38.9 1.531	9.5 .374	M14 1/2	PL207 PL207 PL207 PL207 PL207	JEL207 JEL207-104 JEL207-105 JEL207-106 JEL207-107	5,750	3,450

NTN
SERIES
AELP2
ECCENTRIC
LOCKING
COLLAR
TYPE

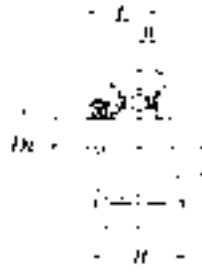
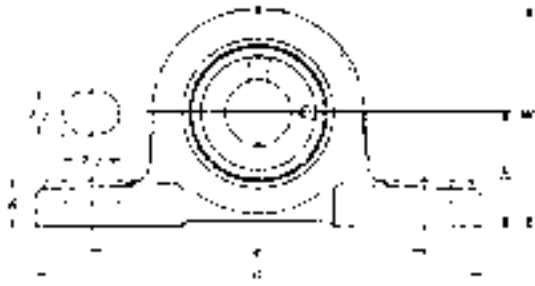
Units: **Millimeters**
INCHES



PILLOW BLOCKS - CAST HOUSING

Shaft Diameter	Complete Pillow Block Number	Nominal Dimensions											Bolt Size	Housing Number	Bearing Number	Basic Load Ratings (lbs)	
		<i>h</i>	<i>a</i>	<i>e</i>	<i>b</i>	<i>s₁</i>	<i>s₂</i>	<i>g</i>	<i>w</i>	<i>Di</i>	<i>L</i>	<i>n</i>				<i>dynamic C</i>	<i>static Co</i>
20 ¾	AELP204D1 AELP204-012D1	33.34 1 5/16	127 5	95 3 ¾	38 1 ½	13 ½	16 5/8	14 9/16	65.09 2 7/16	33.3 1.31	31 1.220	7.5 .295	M10 ¾	P204D1 P204D1	AEL204D1 AEL204-012D1	2,890	1,500
25 1 3/16 7/8 1 5/16 1	AELP205D1 AELP205-013D1 AELP205-014D1 AELP205-015D1 AELP205-100D1	36.51 1 7/16	140 5 ½	105 4 ½	38 1 ½	13 ½	16 5/8	15 19/32	70.64 2 25/32	38.1 1.50	31 1.220	7.5 .295	M10 ¾	P205D1 P205D1 P205D1 P205D1 P205D1	AEL205D1 AEL205-013D1 AEL205-014D1 AEL205-015D1 AEL205-100D1	3,150	1,770
30 1 1/16 1 1/8 1 3/16 1 ¼	AELP206D1 AELP206-101D1 AELP206-102D1 AELP206-103D1 AELP206-104D1	42.86 1 11/16	165 6 ½	121 4 ¾	48 1 7/8	17 2 1/32	20 25/32	17 2 1/32	83.34 3 9/32	44.50 1.75	35.7 1.406	9.0 .354	M14 ½	P206D1 P206D1 P206D1 P206D1 P206D1	AEL206D1 AEL206-101D1 AEL206-102D1 AEL206-103D1 AEL206-104D1	4,400	2,540
35 1 ¼ 1 5/16 1 3/8 1 7/16	AELP207D1 AELP207-104D1 AELP207-105D1 AELP207-106D1 AELP207-107D1	47.63 1 7/8	167 6 9/16	127 5	48 1 7/8	17 2 1/32	20 25/32	18 2 1/32	92.87 3 21/32	55.6 2.19	38.9 1.531	9.5 .374	M14 ½	P207D1 P207D1 P207D1 P207D1 P207D1	AEL207D1 AEL207-104D1 AEL207-105D1 AEL207-106D1 AEL207-107D1	5,750	3,440
40 1 ½ 1 9/16	AELP208D1 AELP208-108D1 AELP208-109D1	49.2 1 15/16	184 7 ¼	137 5 3/8	54 2 ½	17 2 1/32	20 25/32	18 2 1/32	98 3 27/32	52 2.37	49.2 1.719	19 .433	M14 ½	P208D1 P208D1 P208D1	AEL208D1 AEL208-108D1 AEL208-109D1	6,550	4,000
45 1 5/8 1 11/16 1 ¾	AELP209D1 AELP209-110D1 AELP209-111D1 AELP209-112D1	54 2 ½	190 7 15/32	146 5 ¾	54 2 ½	17 2 1/32	20 25/32	20 2 1/32	106 4 3/16	60 2 3/8	49.2 1.937	19 .748	M14 ½	P209D1 P209D1 P209D1 P209D1	AEL209D1 AEL209-110D1 AEL209-111D1 AEL209-112D1	7,350	4,590
50 1 13/16 1 7/8 1 15/16	AELP210D1 AELP210-113D1 AELP210-114D1 AELP210-115D1	57.2 2 ¼	206 8 1/8	159 6 ¼	60 2 3/8	20 25/32	23 29/32	21 1 3/16	114 4 ½	65 2 9/16	51.6 2.031	19 .749	M16 ¾	P210D1 P210D1 P210D1 P210D1	AEL210D1 AEL210-113D1 AEL210-114D1 AEL210-115D1	7,900	5,220

Units: Millimeters
INCHES

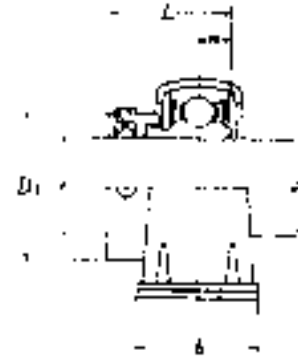
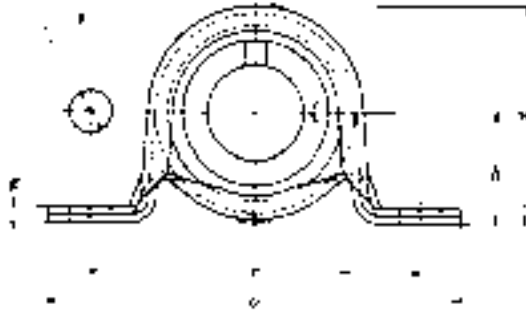


PILLOW BLOCKS - CAST HOUSING (LOW CENTER HEIGHT)																	
Shaft Dia.	Complete Pillow Block Number	Nominal Dimensions											Bolt Size	Housing Number	Bearing Number	Basic Load Ratings (lbs)	
		h	a	e	b	s ₁	s ₂	g	w	Di	L	n				Dynamic C	Static C ₀
12 1/2	AELPL201 AELPL201-008	26.99 1 1/16	121 4 3/4	89 3 1/2	35 1 3/8	11 7/16	14 9/16	13 1/2	54 2 1/8	29 1.14	28.6 1.126	6.5 .256	M10 3/8	PL201 PL201	AEL201 AEL201-008	2,160	1,040
15 9/16 5/8	AELPL202 AELPL202-009 AELPL202-010	26.99 1 1/16	121 4 3/4	89 3 1/2	35 1 3/8	11 7/16	14 9/16	13 1/2	54 2 1/8	29 1.14	28.6 1.126	6.5 .256	M10 3/8	PL201 PL201 PL201	AEL202 AEL202-009 AEL202-010	2,160	1,040
17 11/16	AELPL203 AELPL203-011	26.99 1 1/16	121 4 3/4	89 3 1/2	35 1 3/8	11 7/16	14 9/16	13 1/2	54 2 1/8	29 1.14	28.6 1.126	6.5 .256	M10 3/8	PL201 PL201	AEL203 AEL203-011	2,160	1,040
20 3/4	AELPL204 AELPL204-012	31.75 1 1/4	127 5	95 3 3/4	38 1 1/2	13 1/2	16 5/8	14 9/16	64 2 17/32	33.3 1.31	31 1.220	7.5 .295	M10 3/8	PL204 PL204	AEL204 AEL204-012	2,890	1,500
25 13/16 7/8 15/16 1	AELPL205 AELPL205-013 AELPL205-014 AELPL205-015 AELPL205-100	33.34 1 5/16	140 5 1/2	105 4 1/8	38 1 1/2	13 1/2	16 5/8	15 19/32	68 2 11/16	38.1 1.50	31 1.220	7.5 .295	M10 3/8	PL205 PL205 PL205 PL205 PL205	AEL205 AEL205-013 AEL205-014 AEL205-015 AEL205-100	3,150	1,770
30 1 1/16 1 1/8 1 3/16 1 1/4	AELPL206 AELPL206-101 AELPL206-102 AELPL206-103 AELPL206-104	39.69 1 9/16	165 6 1/2	121 4 3/4	48 1 7/8	17 21/32	20 25/32	17 21/32	80 3 5/32	44.5 1.75	35.7 1.406	9 .354	M14 1/2	PL206 PL206 PL206 PL206 PL206	AEL206 AEL206-101 AEL206-102 AEL206-103 AEL206-104	4,400	2,540
35 1 1/4 1 5/16 1 3/8 1 7/16	AELPL207 AELPL207-104 AELPL207-105 AELPL207-106 AELPL207-107	46.04 1 13/16	167 6 9/16	127 5	48 1 7/8	17 21/32	20 25/32	18 23/32	91 3 19/32	55.6 2.19	38.9 1.531	9.5 .374	M14 1/2	PL207 PL207 PL207 PL207 PL207	AEL207 AEL207-104 AEL207-105 AEL207-106 AEL207-107	5,750	3,440

Note: AELPL201 - AELPL205 have a solid base

NTN
SERIES
AELPP2
ECCENTRIC
LOCKING
COLLAR
TYPE

Units: Millimeters
 INCHES

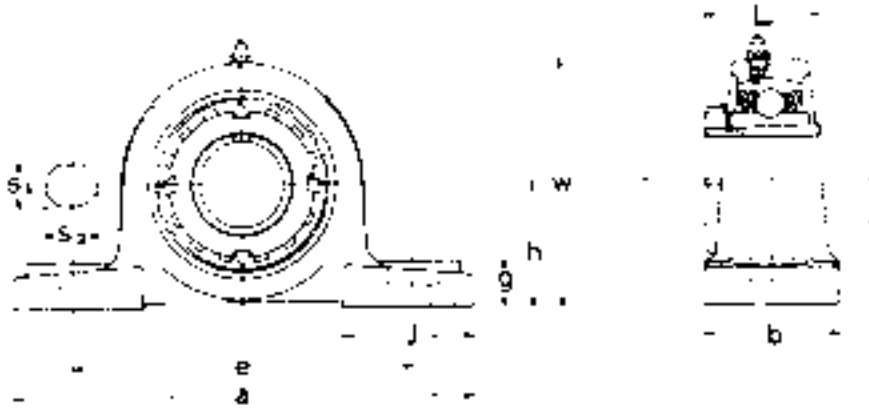
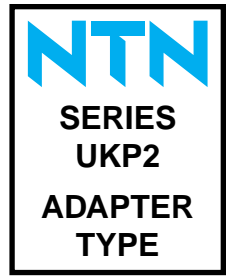


PILLOW BLOCKS - PRESSED STEEL HOUSING

Shaft Dia.	Complete Pillow Block Number	Nominal Dimensions										Bolt Size	Housing Number	Bearing Number	Basic Load Ratings (lbs)		Max. Radial Load (lbs)
		h	a	e	b	s	g	w	L	n	Dynamic C				Static C ₀		
12 ½	AELPP201 AELPP201-008	22.2 7/8	86 3 3/8	68 2 11/16	25 3 1/32	9.5 3/8	3.2 .126	43.8 1 23/32	28.6 1.126	6.5 .256	M8 5/16	PP203 PP203	AEL201 AEL201-008	2,160	1,040	440	
15 9/16 5/8	AELPP202 AELPP202-009 AELPP202-010	22.2 7/8	86 3 3/8	68 2 11/16	25 3 1/32	9.5 3/8	3.2 .126	43.8 1 23/32	28.6 1.126	6.5 .256	M8 5/16	PP203 PP203 PP203	AEL202 AEL202-009 AEL202-010	2,160	1,040	440	
17 1 1/16	AELPP203 AELPP203-011	22.2 7/8	86 3 3/8	68 2 11/16	25 3 1/32	9.5 3/8	3.2 .126	43.8 1 23/32	28.6 1.126	6.5 .256	M8 5/16	PP203 PP203	AEL203 AEL203-011	2,160	1,040	440	
20 ¾	AELPP204 AELPP204-012	25.4 1	98 3 27/32	76 3	32 1 ¼	9.5 3/8	3.2 .126	50.5 2	31 1.220	7.5 .295	M8 5/16	PP204 PP204	AEL204 AEL204-012	2,890	1,500	550	
25 1 3/16 7/8 15/16 1	AELPP205 AELPP205-013 AELPP205-014 AELPP205-015 AELPP205-100	28.6 1 1/8	108 4 ¼	86 3 3/8	32 1 ¼	11 7/16	4 .157	56.6 2 7/32	31 1.220	7.5 .295	M10 3/8	PP205 PP205 PP205 PP205 PP205	AEL205 AEL205-013 AEL205-014 AEL205-015 AEL205-100	3,150	1,770	770	
30 1 1/16 1 1/8 1 3/16 1 ¼	AELPP206 AELPP206-101 AELPP206-102 AELPP206-103 AELPP206-104	33.3 1 5/16	117 4 19/32	95 3 ¾	38 1 ½	11 7/16	4 .157	66.3 2 5/8	35.7 1.406	9 .354	M10 3/8	PP206 PP206 PP206 PP206 PP206	AEL206 AEL206-101 AEL206-102 AEL206-103 AEL206-104	4,400	2,540	880	
35 1 ¼ 1 5/16 1 3/8 1 7/16	AELPP207 AELPP207-104 AELPP207-105 AELPP207-106 AELPP207-107	39.7 1 9/16	129 5 3/32	106 4 3/16	42 1 21/32	11 7/16	4.6 .181	78 3 1/16	38.9 1.531	9.5 .374	M10 3/8	PP207 PP207 PP207 PP207 PP207	AEL207 AEL207-104 AEL207-105 AEL207-106 AEL207-107	5,750	3,440	990	

Axial load should be less than 1/3 of radial load.

Units: Millimeters
INCHES



PILLOW BLOCKS - CAST HOUSING

Shaft Diameter	Unit Number	Nominal Dimensions										Bolt Size	Housing Number	Bearing Number	Basic Load Ratings (lbs)	
		<i>h</i>	<i>a</i>	<i>e</i>	<i>b</i>	<i>s</i> ₁	<i>s</i> ₂	<i>g</i>	<i>w</i>	<i>L</i>	<i>j</i>				<i>C</i>	<i>C</i> ₀
20 ¾	UKP205D1 ; H 2305X UKP205D1 ; HE2305	36.5 1 7/16	140 5 ½	105 4 ½	38 1 ½	13 ½	16 5/8	15 19/32	71 2 25/32	35 1.378	42 1 21/32	M10 ¾	P205D1	UK205D1 ; H 2305X UK205D1 ; HE2305	3,150	1,770
25 7/8	UKP206D1 ; H 2306X UKP206D1 ; HS2306 UKP206D1 ; HE2306X	42.9 1 11/16	165 6 ½	121 4 ¾	48 1 7/8	17 21/32	20 25/32	17 21/32	83 3 3/32	38 1.496	54 2 1/8	M14 ½	P206D1	UK206D1 ; H 2306X UK206D1 ; HS2306 UK206D1 ; HE2306X	4,400	2,540
30 1 1/8	UKP207D1 ; H 2307X UKP207D1 ; HS2307	47.6 1 7/8	167 6 9/16	127 5	48 1 7/8	17 21/32	20 25/32	18 23/32	93 3 21/32	43 1.693	54 2 1/8	M14 ½	P207D1	UK207D1 ; H 2307X UK207D1 ; HS2307	5,750	3,450
35 1 ¼	UKP208D1 ; H 2308X UKP208D1 ; HE2308 UKP208D1 ; HS2308X	49.2 1 15/16	184 7 ¼	137 5 13/32	54 2 1/8	17 21/32	20 25/32	18 25/32	98 3 27/32	46 1.811	52 2 1/16	M14 ½	P207D1	UK208D1 ; H 2308X UK208D1 ; HE2308 UK208D1 ; HS2308X	6,550	4,000
40 1 7/16	UKP209D1 ; H 2309X UKP209D1 ; HA2309 UKP209D1 ; HE2309X UKP209D1 ; HS2309X	54 2 1/8	190 7 15/32	146 5 ¾	54 2 1/8	17 21/32	20 25/32	20 25/32	106 4 3/16	50 1.969	60 2 3/8	M14 ½	P208D1	UK209D1 ; H 2309X UK209D1 ; HA2309 UK209D1 ; HE2309X UK209D1 ; HS2309X	7,350	4,600
45 1 5/8	UKP210D1 ; H 2310X UKP210D1 ; HS2310 UKP210D1 ; HA2310 UKP210D1 ; HE2310X	57.2 2 ¼	206 8 1/8	159 6 ¼	60 2 3/8	20 25/32	23 29/32	21 13/16	114 4 ½	55 2.165	65 1 9/16	M16 5/8	P210D1	UK210D1 ; H 2310X UK210D1 ; HS2310 UK210D1 ; HA2310 UK210D1 ; HE2310X	7,900	5,200
50 1 7/8	UKP211D1 ; H 2311X UKP211D1 ; HS2311 UKP211D1 ; HA2311 UKP211D1 ; HE2311XY	63.5 2 ½	219 8 5/8	171 6 23/32	60 2 3/8	20 25/32	23 29/32	23 29/32	126 4 32/32	59 2.323	65 2 9/16	M16 5/8	P211D1	UK211D1 ; H 2311X UK211D1 ; HS2311 UK211D1 ; HA2311 UK211D1 ; HE2311XY	9,750	6,550
55 2 1/8	UKP212D1 ; H 2312X UKP212D1 ; HS2312	69.8 2 ¾	241 9 ½	184 7 ¼	70 2 ¾	20 25/32	23 29/32	25 31/32	138 5 7/16	62 2.441	70 2 ¾	M16 5/8	P212D1	UK212D1 ; H 2312X UK212D1 ; HS2312	11,800	8,150
60 2 3/16	UKP213D1 ; H 2313X UKP213D1 ; HA2313 UKP213D1 ; HE2313 UKP213D1 ; HS2313	76.2 3	265 10 7/16	203 8	70 2 ¾	25 31/32	28 1 3/32	27 1 1/16	151 5 15/16	65 2.559	77 3 1/32	M20 ¾	P213D1	UK213D1 ; H 2313X UK213D1 ; HA2313 UK213D1 ; HE2313 UK213D1 ; HS2313	12,900	9,000
65 2 7/16	UKP215D1 ; H 2315X UKP215D1 ; HA2315 UKP215D1 ; HE2315	82.6 3 ¼	275 10 13/16	217 8 17/32	74 2 29/32	25 31/32	28 1 3/32	27 1 3/32	151 6 13/32	65 2.874	77 3 5/32	M20 ¾	P215D1	UK215D1 ; H 2315X UK215D1 ; HA2315 UK215D1 ; HE2315	14,900	11,100
70 2 11/16	UKP216D1 ; H2316X UKP216D1 ; HA2316 UKP216D1 ; HE2316	88.9 3 ½	292 11 ½	232 9 1/8	78 3 1/16	25 31/32	28 1 3/32	30 1 3/16	175 6 7/8	78 3.071	85 3 11/32	M22 7/8	P216D1	UK216D1 ; H2316X UK216D1 ; HA2316 UK216D1 ; HE2316	16,300	11,900
75 2 15/16	UKP217D1 ; H 2317X UKP217D1 ; HA2317 UKP217D1 ; HE2317	95.2 3 ¾	310 12 7/32	247 9 23/32	83 3 9/32	25 31/32	28 1 3/32	32 1 1/4	187 7 3/8	82 3.228	85 3 11/32	M22 7/8	P217D1	UK217D1 ; H 2317X UK217D1 ; HA2317 UK217D1 ; HE2317	18,700	14,300
80 3 1/16	UKP218D1 ; H 2318X UKP218D1 ; HA2318	101.6 4	327 12 7/8	262 10 5/16	88 3 15/32	27 1 1/16	30 1 3/16	33 1 5/16	200 7 7/8	86 3.386	90 3 17/32	M22 7/8	P218D1	UK218D1 ; H 2318X UK218D1 ; HA2318	21,600	16,100

These numbers indicate re-lubricate type. If maintenance free type is needed, please order without suffix "D1".

Adapter number with suffix "X" means a narrow slot type adapter sleeve. In this case the lock washer with the straight inner prong should be used.

For HE2311XY, screw thread pitch different from the standard is applied, because of the thin thread section of sleeve. To distinguish it, a suffix "Y" is added.

Note: Please consult NTN Engineering for grease fitting details.



Bearing Series → UCP2 SERIES

UCP201D1

1.5 ← Weight (lbs)

Complete Pillow Block Number

GREENLINE PILLOW BLOCKS			LBS.			
UCP2 SERIES	UCPL210-113D1	5.7	UCPX09-113D1	7.3	ASPP207	1.3
UCP201D1	UCPL210-114D1	5.7	UCPX10D1	9.5	ASPP207-104	1.3
UCP201-008D1	UCPL210-115D1	5.7	UCPX10-114D1	9.5	ASPP207-105	1.3
UCP202D1	UCPL210-200D1	5.7	UCPX10-115D1	9.5	ASPP207-106	1.3
UCP202-009D1	UCP3 SERIES		UCPX10-200D1	9.5	ASPP207-107	1.3
UCP202-010D1	UCP305D1	3.3	UCPX11D1	13.0	UEL2 SERIES	
UCP203D1	UCP305-014D1	3.3	UCPX11-202D1	13.0	UEL204D1	1.5
UCP203-011D1	UCP305-015D1	3.3	UCPX11-203D1	13.0	UEL204-012D1	1.5
UCP204D1	UCP305-100D1	3.3	UCPX11-204D1	13.0	UEL205D1	2.0
UCP204-012D1	UCP306D1	4.0	UCPX11-205D1	13.0	UEL205-013D1	2.0
UCP205D1	UCP306-102D1	4.0	UCPX12D1	16.0	UEL205-014D1	2.0
UCP205-013D1	UCP306-103D1	4.0	UCPX12-206D1	16.0	UEL205-015D1	2.0
UCP205-014D1	UCP307D1	6.2	UCPX12-207D1	16.0	UEL205-100D1	2.0
UCP205-015D1	UCP307-104D1	6.2	UCPX13D1	17.0	UEL206D1	3.1
UCP205-100D1	UCP307-105D1	6.2	UCPX13-208D1	17.0	UEL206-101D1	3.1
UCP206D1	UCP307-106D1	6.2	UCPX13-209D1	17.0	UEL206-102D1	3.1
UCP206-101D1	UCP307-107D1	6.2	UCPX14D1	22.0	UEL206-103D1	3.1
UCP206-102D1	UCP308D1	6.6	UCPX14-210D1	22.0	UEL206-104D1	3.1
UCP206-103D1	UCP308-108D1	6.6	UCPX14-211D1	22.0	UEL207D1	4.0
UCP206-104D1	UCP309D1	9.0	UCPX14-212D1	22.0	UEL207-104D1	4.0
UCP207D1	UCP309-110D1	9.0	UCPX15D1	24.0	UEL207-105D1	4.0
UCP207-104D1	UCP309-111D1	9.0	UCPX15-213D1	24.0	UEL207-106D1	4.0
UCP207-105D1	UCP309-112D1	9.0	UCPX15-214D1	24.0	UEL207-107D1	4.0
UCP207-106D1	UCP310D1	0.1	UCPX15-215D1	24.0	UEL208D1	4.4
UCP207-107D1	UCP310-114D1	13.0	UCPX15-300D1	24.0	UEL208-108D1	4.4
UCP208D1	UCP310-115D1	13.0	UCPX16D1	33.0	UEL208-109D1	4.4
UCP208-108D1	UCP311D1	16.0	UCPX16-302D1	33.0	UEL209D1	5.3
UCP208-109D1	UCP311-200D1	16.0	UCPX16-303D1	33.0	UEL209-110D1	5.3
UCP209D1	UCP311-202D1	16.0	UCPX16-304D1	33.0	UEL209-111D1	5.3
UCP209-110D1	UCP311-203D1	16.0	UCPX17D1	35.0	UEL209-112D1	5.3
UCP209-111D1	UCP312D1	21.0	UCPX17-305D1	35.0	UEL210D1	6.2
UCP209-112D1	UCP312-204D1	21.0	UCPX17-307D1	35.0	UEL210-113D1	6.2
UCP210D1	UCP312-206D1	21.0	UCPX18D1	37.0	UEL210-114D1	6.2
UCP210-113D1	UCP312-207D1	21.0	UCPX18-308D1	37.0	UEL210-115D1	6.2
UCP210-114D1	UCP313D1	22.0	UCPX20D1	66.0	UEL210-115D1	6.2
UCP210-115D1	UCP313-208D1	22.0	UCPX20-314D1	66.0	UEL210-200D1	6.2
UCP210-200D1	UCP314D1	26.0	UCPX20-315D1	66.0	UEL211D1	7.7
UCP211D1	UCP314-211D1	26.0	UCPX20-400D1	66.0	UEL211-200D1	7.7
UCP211-200D1	UCP314-212D1	26.0	ASPL2 SERIES		UEL211-201D1	7.7
UCP211-201D1	UCP315D1	31.0	ASPL201	1.3	UEL211-202D1	7.7
UCP211-202D1	UCP315-215D1	31.0	ASPL201-008	1.3	UEL211-203D1	7.7
UCP211-203D1	UCP315-300D1	31.0	ASPL202	1.3	UEL212D1	11.0
UCP212D1	UCP316D1	40.0	ASPL202-009	1.3	UEL212-204D1	11.0
UCP212-204D1	UCP316-302D1	40.0	ASPL202-010	1.3	UEL212-206D1	11.0
UCP212-206D1	UCP316-303D1	40.0	ASPL203	1.1	UEL212-207D1	11.0
UCP212-207D1	UCP317D1	44.0	ASPL203-011	1.1	UEL213D1	14.0
UCP213D1	UCP317-304D1	44.0	ASPL204	1.3	UEL213-208D1	14.0
UCP213-208D1	UCP318D1	53.0	ASPL204-012	1.3	UEL214D1	15.0
UCP214D1	UCP318-307D1	53.0	ASPL205	1.5	UEL214-211D1	15.0
UCP214-211D1	UCP318-308D1	53.0	ASPL205-013	1.5	UEL214-212D1	15.0
UCP214-212D1	UCP319D1	64.0	ASPL205-014	1.5	UEL215D1	17.0
UCP215D1	UCP319-312D1	64.0	ASPL205-015	1.5	UEL215-215D1	17.0
UCP215-215D1	UCP320D1	77.0	ASPL205-100	1.5	UEL215-300D1	17.0
UCP215-300D1	UCP320-315D1	77.0	ASPL206	2.6	UELPL2 SERIES	
UCP216D1	UCP320-400D1	77.0	ASPL206-101	2.6	UELPL204D1	1.5
UCP216-302D1	UCP321D1	77.0	ASPL206-103	2.6	UELPL204-012D1	1.5
UCP217D1	UCP322D1	99.0	ASPL206-104	2.6	UELPL205D1	1.8
UCP217-304D1	UCP324D1	121.0	ASPL207	3.3	UELPL205-013D1	1.8
UCP218D1	UCP326D1	159.0	ASPL207-104	3.3	UELPL205-014D1	1.8
UCP218-308D1	UCP328D1	196.0	ASPL207-105	3.3	UELPL205-015D1	1.8
UCPL2 SERIES	UCPX SERIES		ASPL207-106	3.3	UELPL205-100D1	1.8
UCPL204D1	UCPX05D1	3.3	ASPL207-107	3.3	UELPL206D1	3.1
UCPL204-012D1	UCPX05-013D1	3.3	ASPP2 SERIES		UELPL206-101D1	3.1
UCPL205D1	UCPX05-014D1	3.3	ASPP201	0.4	UELPL206-102D1	3.1
UCPL205-013D1	UCPX05-015D1	3.3	ASPP201-008	0.4	UELPL206-103D1	3.1
UCPL205-014D1	UCPX05-100D1	3.3	ASPP202	0.2	UELPL206-104D1	3.1
UCPL205-015D1	UCPX06D1	4.4	ASPP202-009	0.2	UELPL207D1	3.7
UCPL205-100D1	UCPX06-101D1	4.4	ASPP202-010	0.2	UELPL207-104D1	3.7
UCPL206D1	UCPX06-102D1	4.4	ASPP203	0.2	UELPL207-105D1	3.7
UCPL206-101D1	UCPX06-103D1	4.4	ASPP203-011	0.2	UELPL207-106D1	3.7
UCPL206-102D1	UCPX06-104D1	4.4	ASPP204	0.4	UELPL207-107D1	3.7
UCPL206-103D1	UCPX07D1	5.7	ASPP204-012	0.4	UELPL209D1	5.1
UCPL206-104D1	UCPX07-105D1	5.7	ASPP205	0.7	UELPL209-110D1	5.1
UCPL207D1	UCPX07-106D1	5.7	ASPP205-013	0.7	UELPL209-111D1	5.1
UCPL207-104D1	UCPX07-107D1	5.7	ASPP205-014	0.7	UELPL209-112D1	5.1
UCPL207-105D1	UCPX08D1	7.3	ASPP205-015	0.7	UELPL210D1	6.0
UCPL207-106D1	UCPX08-108D1	7.3	ASPP205-100	0.7	UELPL210-113D1	6.0
UCPL207-107D1	UCPX08-109D1	7.3	ASPP206	0.9	UELPL210-114D1	6.0
UCPL209D1	UCPX09D1	7.3	ASPP206-101	0.9	UELPL210-115D1	6.0
UCPL209-110D1	UCPX09-110D1	7.3	ASPP206-102	0.9	UELPL210-200D1	6.0
UCPL209-111D1	UCPX09-111D1	7.3	ASPP206-103	0.9	UEL3 SERIES	
UCPL209-112D1	UCPX09-112D1	7.3	ASPP206-104	0.9	UEL305D1	3.1
UCPL210D1					UEL305-014D1	3.1



Bearing Series → **UCP2 SERIES**

UCP201D1 1.5

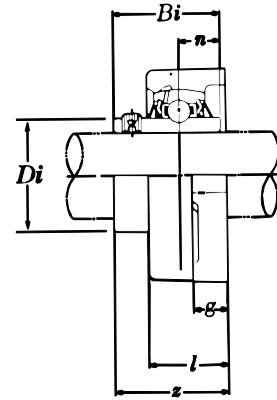
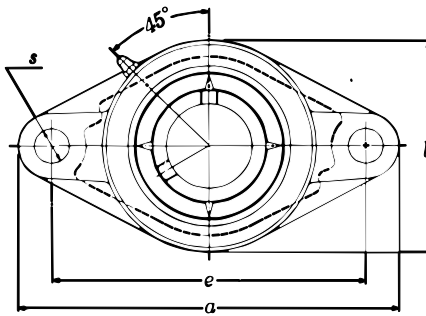
Complete Pillow Block Number

Weight (lbs)

GREENLINE PILLOW BLOCKS		LBS.
UELP305-015D1 3.1	AELP205-015D1 1.9	UKP208D1:HE2308X 4.4
UELP305-100D1 3.1	AELP205-100D1 1.9	UKP208D1:HS2308X 4.4
UELP306D1 4.2	AELP206D1 2.8	UKP209D1:H2309X 5.1
UELP306-102D1 4.2	AELP206-101D1 2.8	UKP209D1:HA2309 5.1
UELP306-103D1 4.2	AELP206-102D1 2.8	UKP209D1:HE2309X 5.1
UELP307D1 6.4	AELP206-103D1 2.8	UKP209D1:HS2309X 5.1
UELP307-104D1 6.4	AELP206-104D1 2.8	UKP210D1:H2310X 6.2
UELP307-105D1 6.4	AELP207D1 3.7	UKP210D1:HS2310 6.2
UELP307-106D1 6.4	AELP207-104D1 3.8	UKP210D1:HA2310 6.2
UELP307-107D1 6.4	AELP207-105D1 3.8	UKP210D1:HE2310X 6.2
UELP308D1 6.8	AELP207-106D1 3.8	UKP211D1:H2311X 7.7
UELP308-108D1 6.8	AELP207-107D1 3.8	UKP211D1:HS2311 7.7
UELP309D1 9.5	AELP208D1 4.2	UKP211D1:HA2311 7.7
UELP309-110D1 9.5	AELP208-108D1 4.2	UKP211D1:HE2311XY 7.7
UELP309-111D1 9.5	AELP208-109D1 4.2	UKP212D1:H2312X 10.0
UELP309-112D1 9.5	AELP209D1 4.9	UKP212D1:HS2312 10.0
UELP310D1 13.0	AELP209-110D1 4.9	UKP213D1:H2313X 13.0
UELP310-114D1 13.0	AELP209-111D1 4.9	UKP213D1:HA2313X 13.0
UELP310-115D1 13.0	AELP209-112D1 4.9	UKP213D1:HE2313 13.0
UELP311D1 17.0	AELP210D1 5.8	UKP213D1:HS2313 13.0
UELP311-200D1 17.0	AELP210-113D1 5.8	UKP215D1:H2315X 17.0
UELP311-202D1 17.0	AELP210-114D1 5.8	UKP215D1:HA2315 17.0
UELP311-203D1 17.0	AELP210-115D1 5.8	UKP215D1:HE2315 17.0
UELP312D1 21.0	AELPL2 SERIES	UKP216D1:H2316 21.0
UELP312-204D1 21.0	AELPL201 1.3	UKP216D1:HA2316 21.0
UELP312-206D1 21.0	AELPL201-008 1.3	UKP216D1:HE2316 21.0
UELP312-207D1 21.0	AELPL202 1.3	UKP217D1:H2317X 26.0
UELP313D1 24.0	AELPL202-009 1.3	UKP217D1:HA2317 26.0
UELP313-208D1 24.0	AELPL202-010 1.3	UKP217D1:HE2317 26.0
UELP314D1 26.0	AELPL203 1.3	UKP218D1:H2318X 31.0
UELP314-211D1 26.0	AELPL203-011 1.3	UKP218D1:HA2318 31.0
UELP314-212D1 26.0	AELPL204 1.5	
UELP315D1 33.0	AELPL204-012 1.5	
UELP315-215D1 33.0	AELPL205 1.8	
UELP315-300D1 33.0	AELPL205-013 1.8	
UELP316D1 42.0	AELPL205-014 1.8	
UELP316-302D1 42.0	AELPL205-015 1.8	
UELP316-303D1 42.0	AELPL205-100 1.8	
UELP317D1 46.0	AELPL206 2.6	
UELP317-304D1 46.0	AELPL206-101 2.6	
UELP318D1 55.0	AELPL206-102 2.6	
UELP318-307D1 55.0	AELPL206-103 2.6	
UELP318-308D1 55.0	AELPL206-104 2.6	
UELP319D1 66.0	AELPL207 3.5	
UELP319-312D1 66.0	AELPL207-104 3.5	
UELP320D1 82.0	AELPL207-105 3.5	
UELP320-315D1 82.0	AELPL207-106 3.5	
UELP320-315D1 82.0	AELPL207-107 3.5	
UELP320-400D1 82.0	AELPP2 SERIES	
UELP321D1 82.0	AELPP201 0.4	
UELP322D1 106.0	AELPP201-008 0.4	
JELPL2 SERIES	AELPP202 0.4	
JELPL201 1.3	AELPP202-009 0.4	
JELPL201-008 1.3	AELPP202-010 0.4	
JELPL202 1.3	AELPP203 0.4	
JELPL202-009 1.3	AELPP203-011 0.4	
JELPL202-010 1.3	AELPP204 0.4	
JELPL203 1.3	AELPP204-012 0.4	
JELPL203-011 1.3	AELPP205 0.7	
JELPL204 1.5	AELPP205-013 0.7	
JELPL204-012 1.5	AELPP205-014 0.7	
JELPL205 1.8	AELPP205-015 0.7	
JELPL205-013 1.8	AELPP205-100 0.7	
JELPL205-014 1.8	AELPP206 1.1	
JELPL205-015 1.8	AELPP206-101 1.1	
JELPL205-100 1.8	AELPP206-102 1.1	
JELPL206 2.6	AELPP206-103 1.1	
JELPL206-101 2.6	AELPP206-104 1.1	
JELPL206-102 2.6	AELPP207 1.5	
JELPL206-103 2.6	AELPP207-104 1.5	
JELPL206-104 2.6	AELPP207-105 1.5	
JELPL207 3.5	AELPP207-106 1.5	
JELPL207-104 3.5	AELPP207-107 1.5	
JELPL207-105 3.5	UKP2 SERIES	
JELPL207-106 3.5	UKP205D1:H2305X 2.0	
JELPL207-107 3.5	UKP205D1:HE2305 2.0	
AELP2 SERIES	UKP206D1:H2306X 2.9	
AELP204D1 1.5	UKP206D1:HS2306 2.9	
AELP204-012D1 1.5	UKP206D1:HE2306X 2.9	
AELP205D1 1.9	UKP207D1:H2307X 3.7	
AELP205-013D1 1.9	UKP207D1:HS2307 3.7	
AELP205-014D1 1.9	UKP208D1:HS2308X 4.4	

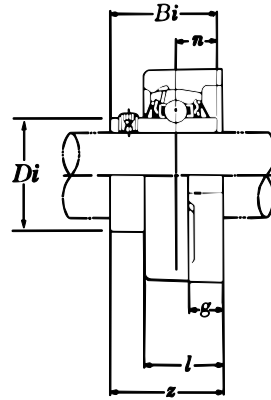
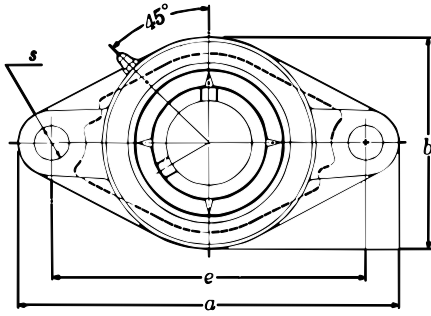


Units: Millimeters
INCHES

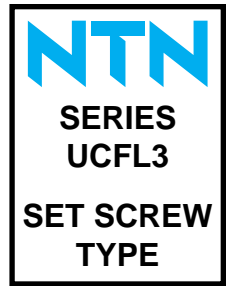


FLANGED UNITS - CAST HOUSING (TWO BOLT)

Shaft Dia.	Complete Flanged Unit Number	Nominal Dimensions									Bolt Size	Housing Number	Bearing Number	Basic Load Ratings (lbs)	
		a	e	g	l	s	b	z	Bi	n				Dynamic C	Static Co
12 ½	UCFL201D1 UCFL201-008D1	113 4 ⅞	90 3 ¾	11 ⅞	25.5 1	12 15/32	60 2 ¾	33.3 1 ⅞	31 1.220	12.7 .500	M10 ⅝	FL204D1 FL204D1	UC201D1 UC201-008D1	2,890	1,500
15 ⅝ 5/8	UCFL202D1 UCFL202-009D1 UCFL202-010D1	113 4 ⅞	90 3 ¾	11 ⅞	25.5 1	12 25/64	60 2 ¾	33.3 1 ⅞	31 1.220	12.7 .500	M10 ⅝	FL204D1 FL204D1 FL204D1	UC202D1 UC202-009D1 UC202-010D1	2,890	1,500
17 1 1/16	UCFL203D1 UCFL203-011D1	113 4 ⅞	90 3 ¾	11 ⅞	25.5 1	12 25/64	60 2 ¾	33.3 1 ⅞	31 1.220	12.7 .500	M10 ⅝	FL204D1 FL204D1	UC203D1 UC203-011D1	2,890	1,500
20 ¾	UCFL204D1 UCFL204-012D1	113 4 ⅞	90 3 ¾	11 ⅞	25.5 1	12 25/64	60 2 ¾	33.3 1 ⅞	31 1.220	12.7 .500	M10 ⅝	FL204D1 FL204D1	UC204D1 UC204-012D1	2,890	1,500
25 1 3/16 7/8 1 1/8 1 1/4	UCFL205D1 UCFL205-013D1 UCFL205-014D1 UCFL205-015D1 UCFL205-100D1	130 5 ½	99 3 5/8	13 ½	27 1 1/16	16 5/8	68 2 1/16	35.7 1 13/32	34 1.339	14.3 .563	M14 ¾	FL205D1 FL205D1 FL205D1 FL205D1 FL205D1	UC205D1 UC205-013D1 UC205-014D1 UC205-015D1 UC205-100D1	3,150	1,770
30 1 1/16 1 1/8 1 3/16 1 1/4	UCFL206D1 UCFL206-101D1 UCFL206-102D1 UCFL206-103D1 UCFL206-104D1	148 5 13/16	117 4 3/8	13 ½	31 1 1/32	16 5/8	80 3 1/2	40.2 1 37/64	38.1 1.500	15.9 .626	M14 ¾	FL206D1 FL206D1 FL206D1 FL206D1 FL206D1	UC206D1 UC206-101D1 UC206-102D1 UC206-103D1 UC206-104D1	4,400	2,540
35 1 1/4 1 5/16 1 3/8 1 7/16	UCFL207D1 UCFL207-104D1 UCFL207-105D1 UCFL207-106D1 UCFL207-107D1	161 6 1/32	130 5 1/8	15 1 9/32	34 1 1/32	16 5/8	90 3 1/2	44.4 1 3/4	42.9 1.689	17.5 .689	M14 7/16	FL207D1 FL207D1 FL207D1 FL207D1 FL207D1	UC207D1 UC207-104D1 UC207-105D1 UC207-106D1 UC207-107D1	5,750	3,440
40 1 1/2 1 5/16	UCFL208D1 UCFL208-108D1 UCFL208-109D1	175 6 7/8	144 5 43/64	15 1 9/32	36 1 1/32	16 5/8	100 3 15/16	51.2 2 1/4	49.2 1.937	19 .748	M14 7/16	FL208D1 FL208D1 FL208D1	UC208D1 UC208-108D1 UC208-109D1	6,550	4,000
45 1 5/8 1 11/16 1 3/4	UCFL209D1 UCFL209-110D1 UCFL209-111D1 UCFL209-112D1	188 7 13/32	148 5 53/64	16 5/8	38 1 1/2	19 3/4	108 4 1/4	52.2 2 1/16	49.2 1.937	19 .748	M16 ½	FL209D1 FL209D1 FL209D1 FL209D1	UC209D1 UC209-110D1 UC209-111D1 UC209-112D1	7,350	4,590
50 1 13/16 1 7/8 1 15/16 2	UCFL210D1 UCFL210-113D1 UCFL210-114D1 UCFL210-115D1 UCFL210-200D1	197 7 3/4	157 6 3/16	16 5/8	40 1 9/16	19 3/4	115 4 17/32	54.6 2 5/32	51.6 2.031	19 .748	M16 ½	FL210D1 FL210D1 FL210D1 FL210D1 FL210D1	UC210D1 UC210-113D1 UC210-114D1 UC210-115D1 UC210-200D1	7,900	5,220
55 2 2 1/16 2 1/8 2 3/16	UCFL211D1 UCFL211-200D1 UCFL211-201D1 UCFL211-202D1 UCFL211-203D1	224 8 13/16	184 7 1/4	18 23/32	43 1 11/16	19 3/4	130 5 1/8	58.4 2 19/64	55.6 2.189	22.2 .874	M16 9/16	FL211D1 FL211D1 FL211D1 FL211D1 FL211D1	UC211D1 UC211-200D1 UC211-201D1 UC211-202D1 UC211-203D1	9,750	6,570
60 2 1/4 2 3/8 2 7/16	UCFL212D1 UCFL212-204D1 UCFL212-206D1 UCFL212-207D1	250 9 27/32	202 7 61/64	18 23/32	48 1 7/8	23 29/32	140 5 1/2	68.7 2 49/64	65.1 2.563	25.4 1.000	M20 ¾	FL212D1 FL212D1 FL212D1 FL212D1	UC212D1 UC212-204D1 UC212-206D1 UC212-207D1	11,800	8,100
65 2 1/2	UCFL213D1 UCFL213-208D1	258 10 9/32	210 8 17/64	22 7/8	50 1 31/32	23 29/32	155 6 3/32	69.7 2 3/4	65.1 2.563	25.4 1.000	M20 ¾	FL213D1 FL213D1	UC213D1 UC213-208D1	12,900	9,000
70 2 11/16 2 3/4	UCFL214D1 UCFL214-211D1 UCFL214-212D1	265 10 7/16	216 8 1/2	22 7/8	54 2 1/8	23 29/32	160 6 3/16	75.4 2 31/32	74.6 2.937	30.2 1.189	M20 ¾	FL214D1 FL214D1 FL214D1	UC214D1 UC214-211D1 UC214-212D1	14,000	9,900
75 2 15/16 3	UCFL215D1 UCFL215-215D1 UCFL215-300D1	275 10 13/16	225 8 59/64	22 7/8	56 2 1/32	23 29/32	165 6 1/2	78.5 3 3/32	77.8 3.063	33.3 1.311	M20 ¾	FL215D1 FL215D1 FL215D1	UC215D1 UC215-215D1 UC215-300D1	14,900	11,100
80 3 1/8	UCFL216D1 UCFL216-302D1	290 11 13/32	233 9 11/64	22 7/8	58 2 9/32	25 63/64	180 7 3/32	83.3 3 9/32	82.6 3.252	33.3 1.311	M22 7/8	FL216D1 FL216D1	UC216D1 UC216-302D1	16,300	11,900
85 3 1/4	UCFL217D1 UCFL217-304D1	305 12	248 9 49/64	24 15/16	63 2 15/32	25 63/64	190 7 15/32	87.6 3 29/64	85.7 3.374	34.1 1.343	M22 7/8	FL217D1 FL217D1	UC217D1 UC217-304D1	18,700	14,400
90 3 1/2	UCFL218D1 UCFL218-308D1	320 12 19/32	265 10 7/16	24 15/16	68 2 11/16	25 63/64	205 8 1/16	96.3 3 51/64	96 3.780	39.7 1.563	M22 7/8	FL218D1 FL218D1	UC218D1 UC218-308D1	21,600	16,100



Units: Millimeters
INCHES

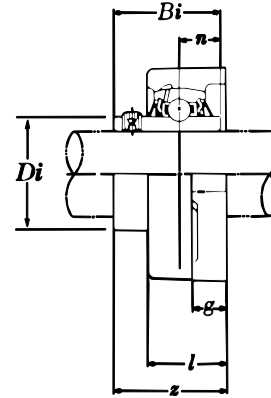
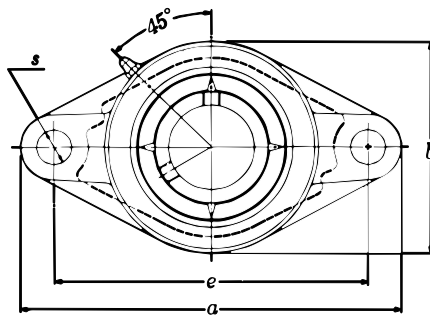


FLANGED UNITS - CAST HOUSING (TWO BOLT)

Shaft Dia.	Complete Flanged Unit Number	Nominal Dimensions									Bolt Size	Housing Number	Bearing Number	Basic Load Ratings (lbs)	
		a	e	g	l	s	b	z	Bi	n				Dynamic C	Static Co
25 7/8 1 1/16 1	UCFL305D1 UCFL305-014D1 UCFL305-015D1 UCFL305-100D1	150 5 29/32	113 4 7/16	13 1/2	29 1 1/32	19 3/4	80 3 3/32	39 1 17/32	38 1.496	15 .591	M16 5/8	FL305D1 FL305D1 FL305D1 FL305D1	UC305D1 UC305-014D1 UC305-015D1 UC305-100D1	4,750	2,460
30 1 1/8 1 3/16	UCFL306D1 UCFL306-102D1 UCFL306-103D1	180 7 3/32	134 5 3/32	15 19/32	32 1 1/4	23 29/32	90 3 17/32	44 1 47/64	43 1.693	17 .669	M20 3/4	FL306D1 FL306D1 FL306D1	UC306D1 UC306-102D1 UC306-103D1	6,000	3,400
35 1 1/4 1 5/16 1 3/8 1 7/16	UCFL307D1 UCFL307-104D1 UCFL307-105D1 UCFL307-106D1 UCFL307-107D1	185 7 9/32	141 5 32/64	16 5/8	36 1 13/32	23 29/32	100 3 15/16	49 1 59/64	48 1.890	19 .748	M20 3/4	FL307D1 FL307D1 FL307D1 FL307D1 FL307D1	UC307D1 UC307-104D1 UC307-105D1 UC307-106D1 UC307-107D1	7,500	4,300
40 1 1/2	UCFL308D1 UCFL308-108D1	200 7 7/8	158 6 7/32	17 21/32	40 1 9/16	23 29/32	112 4 13/32	56 2 13/64	52 2.047	19 .748	M20 3/4	FL308D1 FL308D1	UC308D1 UC308-108D1	9,150	5,400
45 1 5/8 1 11/16 1 3/4	UCFL309D1 UCFL309-110D1 UCFL309-111D1 UCFL309-112D1	230 9 1/16	177 6 31/32	18 23/32	44 1 23/32	25 63/64	125 4 29/32	60 2 23/64	57 2.244	22 .866	M22 7/8	FL309D1 FL309D1 FL309D1 FL309D1	UC309D1 UC309-110D1 UC309-111D1 UC309-112D1	11,900	7,200
50 1 7/8 1 15/16	UCFL310D1 UCFL310-114D1 UCFL310-115D1	240 9 7/16	187 7 23/64	19 3/4	48 1 7/8	25 63/64	140 5 1/2	67 2 41/64	61 2.402	22 .866	M22 7/8	FL310D1 FL310D1 FL310D1	UC310D1 UC310-114D1 UC310-115D1	13,900	8,600
55 2 2 1/8 2 3/16	UCFL311D1 UCFL311-200D1 UCFL311-202D1 UCFL311-203D1	250 9 27/32	198 7 51/64	20 29/32	52 2 1/16	25 63/64	150 5 29/32	71 2 51/64	66 2.598	25 .984	M22 7/8	FL311D1 FL311D1 FL311D1 FL311D1	UC311D1 UC311-200D1 UC311-202D1 UC311-203D1	16,100	10,100
60 2 1/4 2 3/8 2 7/16	UCFL312D1 UCFL312-204D1 UCFL312-206D1 UCFL312-207D1	270 10 5/8	212 8 11/32	22 7/8	56 2 7/32	31 1 7/32	160 6 9/16	78 3 3/64	71 2.795	26 1.024	M27 1	FL312D1 FL312D1 FL312D1 FL312D1	UC312D1 UC312-204D1 UC312-206D1 UC312-207D1	18,400	11,700
65 2 1/2	UCFL313D1 UCFL313-208D1	295 11 5/8	240 9 29/64	25 31/32	58 2 9/32	31 1 7/32	175 6 7/8	78 3 3/64	75 2.953	30 1.181	M27 1	FL313D1 FL313D1	UC313D1 UC313-208D1	20,800	13,400
70 2 11/16 2 3/4	UCFL314D1 UCFL314-211D1 UCFL314-212D1	315 12 13/32	250 9 27/32	28 1 3/32	61 2 13/32	35 1 3/8	185 7 3/32	81 3 3/16	78 3.071	33 1.299	M30 1 1/8	FL314D1 FL314D1 FL314D1	UC314D1 UC314-211D1 UC314-212D1	23,400	15,300
75 2 15/16 3	UCFL315D1 UCFL315-215D1 UCFL315-300D1	320 12 19/32	260 10 15/64	30 1 3/16	66 2 19/32	35 1 3/8	195 7 11/16	89 3 1/2	82 3.228	32 1.260	M30 1 1/8	FL315D1 FL315D1 FL315D1	UC315D1 UC315-215D1 UC315-300D1	25,500	17,400
80 3 1/8 3 3/16	UCFL316D1 UCFL316-302D1 UCFL316-303D1	355 13 31/32	285 11 7/32	32 1 1/4	68 2 11/16	38 1 1/2	210 8 3/32	90 3 39/64	86 3.386	34 1.339	M33 1 1/4	FL316D1 FL316D1 FL316D1	UC316D1 UC316-302D1 UC316-303D1	27,600	19,500
85 3 1/4	UCFL317D1 UCFL317-304D1	370 14 9/16	300 11 13/16	32 1 1/4	74 2 29/32	38 1 1/2	220 8 21/32	100 3 15/16	96 3.780	40 1.575	M33 1 1/4	FL317D1 FL317D1	UC317D1 UC317-304D1	29,800	21,800
90 3 7/16 3 1/2	UCFL318D1 UCFL318-307D1 UCFL318-308D1	385 15 5/32	315 12 13/32	36 1 13/32	76 3	38 1 1/2	235 9 1/4	100 3 15/16	96 3.780	40 1.575	M33 1 1/4	FL318D1 FL318D1 FL318D1	UC318D1 UC318-307D1 UC318-308D1	32,000	24,100
95 3 3/4	UCFL319D1 UCFL319-312D1	405 15 15/16	330 13	40 1 9/16	94 3 11/16	41 1 39/64	250 9 27/32	121 4 49/64	103 4.055	41 1.614	M36 1 3/8	FL319D1 FL319D1	UC319D1 UC319-312D1	34,500	26,600
100 3 15/16 4	UCFL320D1 UCFL320-315D1 UCFL320-400D1	440 17 5/16	360 14 11/64	40 2 21/64	94 3 11/16	44 1 47/64	270 10 5/8	125 4 59/64	108 4.252	42 1.654	M39 1 1/2	FL320D1 FL320D1 FL320D1	UC320D1 UC320-315D1 UC320-400D1	39,000	31,500
105	UCFL321D1	440	360	40	94	44	270	127	112	44	M39	FL321D1	UC321D1	41,500	34,500
110	UCFL322D1	470	390	42	96	44	300	131	117	46	M39	FL322D1	UC322D1	46,000	40,500
120	UCFL324D1	520	430	48	110	47	330	140	126	51	M42	FL324D1	UC324D1	46,500	41,500
130	UCFL326D1	550	460	50	115	47	360	146	135	54	M42	FL326D1	UC326D1	51,500	48,000
140	UCFL328D1	600	500	60	125	51	400	161	145	59	M45	FL328D1	UC328D1	57,000	55,500

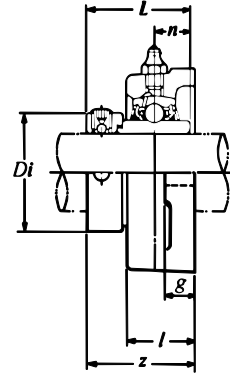
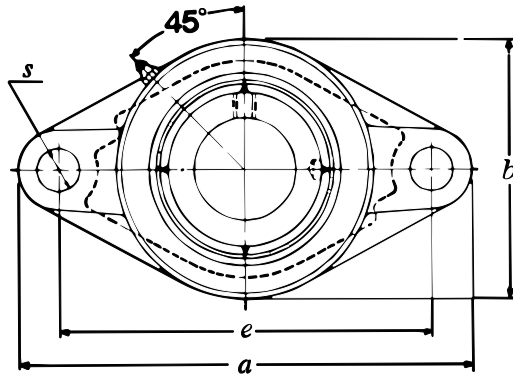
NTN
SERIES
UCFLX
SET SCREW
TYPE

Units: Millimeters
 INCHES



FLANGED UNITS - CAST HOUSING (TWO BOLT)

Shaft Dia.	Complete Flanged Unit Number	Nominal Dimensions									Bolt Size	Housing Number	Bearing Number	Basic Load Ratings (lbs)	
		a	e	g	l	s	b	z	Bi	n				Dynamic C	Static Co
25 1 3/16 7/8 1 5/16 1	UCFLX05D1 UCFLX05-013D1 UCFLX05-014D1 UCFLX05-015D1 UCFLX05-100D1	141 5 3/16	117 4 39/64	13 1/2	30 1 3/16	12 1 1/32	83 3 9/32	40.2 1 37/64	38.1 1.500	15.9 .626	M10 3/8	FLX05D1 FLX05D1 FLX05D1 FLX05D1 FLX05D1	UCX05D1 UCX05-013D1 UCX05-014D1 UCX05-015D1 UCX05-100D1	4,390	2,540
30 1 1/16 1 1/8 1 3/16 1 1/4	UCFLX06D1 UCFLX06-101D1 UCFLX06-102D1 UCFLX06-103D1 UCFLX06-104D1	156 6 5/32	130 5 1/8	15 1 9/32	34 1 11/32	16 5/8	95 3 3/4	44.4 1 3/4	42.9 1.689	17.5 .689	M14 1/2	FLX06D1 FLX06D1 FLX06D1 FLX06D1 FLX06D1	UCX06D1 UCX06-101D1 UCX06-102D1 UCX06-103D1 UCX06-104D1	5,780	3,440
35 1 5/16 1 3/8 1 7/16	UCFLX07D1 UCFLX07-105D1 UCFLX07-106D1 UCFLX07-107D1	171 6 23/32	144 5 43/64	16 5/8	38 1 1/2	16 5/8	105 4 1/8	51.2 2 1/64	49.2 1.937	19 .748	M14 1/2	FLX07D1 FLX07D1 FLX07D1 FLX07D1	UCX07D1 UCX07-105D1 UCX07-106D1 UCX07-107D1	6,550	4,000
40 1 1/2 1 9/16	UCFLX08D1 UCFLX08-108D1 UCFLX08-109D1	179 7 1/16	148 5 53/64	16 5/8	40 1 9/16	16 5/8	111 4 3/8	52.2 2 1/16	49.2 1.937	19 .748	M14 1/2	FLX08D1 FLX08D1 FLX08D1	UCX08D1 UCX08-108D1 UCX08-109D1	7,310	4,590
45 1 5/8 1 11/16 1 3/4 1 13/16	UCFLX09D1 UCFLX09-110D1 UCFLX09-111D1 UCFLX09-112D1 UCFLX09-113D1	189 7 7/16	157 6 3/16	16 5/8	40 1 9/16	16 5/8	116 4 9/16	55.6 2 3/16	51.6 2.031	19 .748	M14 1/2	FLX09D1 FLX09D1 FLX09D1 FLX09D1 FLX09D1	UCX09D1 UCX09-110D1 UCX09-111D1 UCX09-112D1 UCX09-113D1	7,870	5,220
50 1 7/8 1 15/16 2	UCFLX10D1 UCFLX10-114D1 UCFLX10-115D1 UCFLX10-200D1	216 8 1/2	184 7 1/4	18 23/32	44 1 23/32	19 3/4	133 5 1/4	59.4 2 11/32	55.6 2.189	22.2 .874	M16 5/8	FLX10D1 FLX10D1 FLX10D1 FLX10D1	UCX10D1 UCX10-114D1 UCX10-115D1 UCX10-200D1	9,780	6,570



Units: Millimeters
INCHES

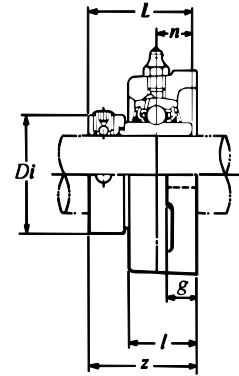
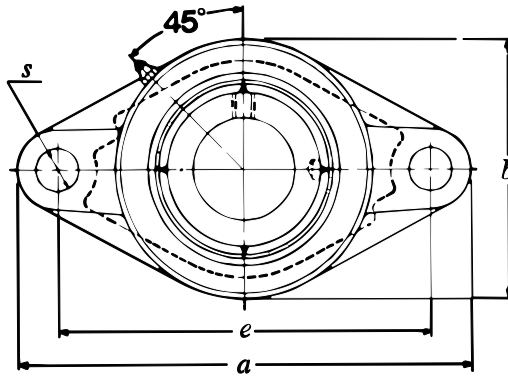


FLANGED UNITS - CAST HOUSING (TWO BOLT)

Shaft Dia.	Complete Flanged Unit Number	Nominal Dimensions									Bolt Size	Housing Number	Bearing Number	Basic Load Ratings (lbs)	
		a	e	g	l	s	z	Bi	Di	n				Dynamic C	Static Co
20 3/4	UELFL204D1 UELFL204-012D1	113 4 7/16	90 3 39/64	11 7/16	25.5 1	12 15/32	41.6 1 41/64	43.7 1.720	33 1.299	17.1 .673	M10 5/16	FL204D1 FL204D1	UEL204D1 UEL204-012D1	2,890	1,500
25 1 13/16 7/8 1 15/16 1	UELFL205D1 UELFL205-013D1 UELFL205-014D1 UELFL205-015D1 UELFL205-100D1	130 5 1/8	99 3 57/64	13 1/2	27 1 1/16	16 5/8	42.9 1 11/16	44.4 1.748	38 1.496	17.5 .689	M14 3/8	FL205D1 FL205D1 FL205D1 FL205D1 FL205D1	UEL205D1 UEL205-013D1 UEL205-014D1 UEL205-015D1 UEL205-100D1	3,150	1,770
30 1 1/16 1 1/8 1 3/16 1 1/4	UELFL206D1 UELFL206-101D1 UELFL206-102D1 UELFL206-103D1 UELFL206-104D1	148 5 13/16	117 4 9/64	13 1/2	31 1 7/32	16 5/8	48.1 1 57/64	48.4 1.906	44.5 1.752	18.3 .720	M14 3/8	FL206D1 FL206D1 FL206D1 FL206D1 FL206D1	UEL206D1 UEL206-101D1 UEL206-102D1 UEL206-103D1 UEL206-104D1	4,400	2,540
35 1 1/4 1 5/16 1 3/8 1 7/16	UELFL207D1 UELFL207-104D1 UELFL207-105D1 UELFL207-106D1 UELFL207-107D1	161 6 13/32	130 5 1/8	15 19/32	34 1 11/32	16 5/8	51.3 2 1/64	51.1 2.012	55.5 2.185	18.8 .740	M14 7/16	FL207D1 FL207D1 FL207D1 FL207D1 FL207D1	UEL207D1 UEL207-104D1 UEL207-105D1 UEL207-106D1 UEL207-107D1	5,750	3,440
40 1 1/2 1 9/16	UELFL208D1 UELFL208-108D1 UELFL208-109D1	175 6 7/8	144 5 43/64	15 19/32	36 1 13/32	16 5/8	55.9 2 13/64	56.3 2.217	60 2.362	21.4 .843	M14 7/16	FL207D1 FL208D1 FL208D1	UEL208D1 UEL208-108D1 UEL208-109D1	6,550	4,000
45 1 5/8 1 11/16 1 3/4	UELFL209D1 UELFL209-110D1 UELFL209-111D1 UELFL209-112D1	188 7 13/32	148 5 53/64	16 5/8	38 1 1/2	19 3/4	56.9 2 15/64	56.3 2.217	63.5 2.500	21.4 .843	M16 1/2	FL209D1 FL209D1 FL209D1 FL209D1	UEL209D1 UEL209-110D1 UEL209-111D1 UEL209-112D1	7,350	4,590
50 1 13/16 1 7/8 1 15/16 2	UELFL210D1 UELFL210-113D1 UELFL210-114D1 UELFL210-115D1 UELFL210-200D1	197 7 3/4	157 6 3/16	16 5/8	40 1 9/16	19 3/4	60.1 2 29/64	62.7 2.469	69.5 2.736	24.6 .969	M16 1/2	FL210D1 FL210D1 FL210D1 FL210D1 FL210D1	UEL210D1 UEL210-113D1 UEL210-114D1 UEL210-115D1 UEL210-200D1	7,900	5,220
55 2 2 1/16 2 1/8 2 3/16	UELFL211D1 UELFL211-200D1 UELFL211-201D1 UELFL211-202D1 UELFL211-203D1	224 8 13/16	184 7 1/4	18 23/32	43 1 11/16	19 3/4	68.6 2 45/64	71.4 2.811	76 2.992	27.8 1.094	M16 9/16	FL211D1 FL211D1 FL211D1 FL211D1 FL211D1	UEL211D1 UEL211-200D1 UEL211-201D1 UEL211-202D1 UEL211-203D1	9,750	6,570
60 2 1/4 2 3/8 2 7/16	UELFL212D1 UELFL212-204D1 UELFL212-206D1 UELFL212-207D1	250 9 27/32	202 7 61/64	18 23/32	48 1 7/8	23 29/32	75.8 2 63/64	77.8 3.063	84 3.307	31 1.220	M20 3/4	FL212D1 FL212D1 FL212D1 FL212D1	UEL212D1 UEL212-204D1 UEL212-206D1 UEL212-207D1	11,800	8,100
65 2 1/2	UELFL213D1 UELFL213-208D1	258 10 5/32	210 8 17/64	22 7/8	50 1 31/32	23 29/32	81.55 3 13/64	85.7 3.374	97 3.819	34.15 1.344	M20 3/4	FL213D1 FL213D1	UEL213D1 UEL213-208D1	12,900	9,000
70 2 11/16 2 3/4	UELFL214D1 UELFL214-211D1 UELFL214-212D1	265 10 7/16	216 8 1/2	22 7/8	54 2 1/8	23 29/32	82.55 3 1/4	85.7 3.374	97 3.819	34.15 1.344	M20 3/4	FL214D1 FL214D1 FL214D1	UEL214D1 UEL214-211D1 UEL214-212D1	14,000	9,900
75 2 15/16 3	UELFL215D1 UELFL215-215D1 UELFL215-300D1	275 10 13/16	225 8 55/64	22 7/8	56 2 7/32	23 29/32	88.7 3 31/64	92 3.622	102 4.016	37.3 1.469	M20 3/4	FL215D1 FL215D1 FL215D1	UEL215D1 UEL215-215D1 UEL215-300D1	14,900	11,130

NTN
SERIES
UELFL3
ECCENTRIC
LOCKING
COLLAR
TYPE

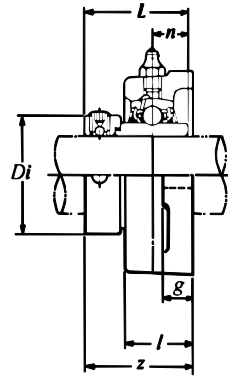
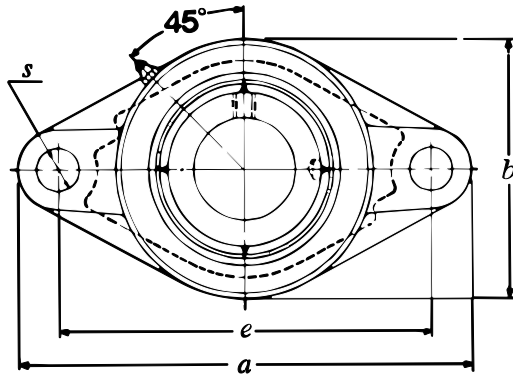
Units: Millimeters
 INCHES



FLANGED UNITS - CAST HOUSING (TWO BOLT)

Shaft Dia.	Complete Flanged Unit Number	Nominal Dimensions									Bolt Size	Housing Number	Bearing Number	Basic Load Ratings (lbs)	
		a	e	g	l	s	z	Bi	Di	n				Dynamic C	Static Co
25 7/8 15/16 1	UELFL305D1 UELFL305-014D1 UELFL305-015D1 UELFL305-100D1	150 5 29/32	113 4 29/64	13 1/2	29 1 1/32	19 3/4	46.1 1 19/16	46.8 1.843	42.8 1.685	16.7 .657	M16 5/8	FL305D1 FL305D1 FL305D1 FL305D1	UEL305D1 UEL305-014D1 UEL305-015D1 UEL305-100D1	4,750	2,460
30 1 1/8 1 3/16	UELFL306D1 UELFL306-102D1 UELFL306-103D1	180 7 3/32	134 5 9/32	15 19/32	32 1 1/4	23 29/32	50.5 1 63/64	50 1.969	50 1.969	17.5 .689	M20 3/4	FL306D1 FL306D1 FL306D1	UEL306D1 UEL306-102D1 UEL306-103D1	6,000	3,400
35 1 1/4 1 5/16 1 3/8 1 7/16	UELFL307D1 UELFL307-104D1 UELFL307-105D1 UELFL307-106D1 UELFL307-107D1	185 7 3/32	141 5 35/64	16 9/8	36 1 13/32	23 29/32	53.3 2 3/32	51.6 2.031	55 2.165	18.3 .720	M20 3/4	FL307D1 FL307D1 FL307D1 FL307D1 FL307D1	UEL307D1 UEL307-104D1 UEL307-105D1 UEL307-106D1 UEL307-107D1	7,500	4,300
40 1 1/2	UELFL308D1 UELFL308-108D1	200 7 7/8	158 6 7/32	17 21/32	40 1 9/16	23 29/32	60.3 3 3/8	57.1 2.248	63.5 2.500	19.8 .780	M20 3/4	FL308D1 FL308D1	UEL308D1 UEL308-108D1	9,150	5,400
45 1 5/8 1 11/16 1 3/4	UELFL309D1 UELFL309-110D1 UELFL309-111D1 UELFL309-112D1	230 9 1/16	177 6 31/32	18 23/32	44 1 23/32	25 63/64	63.9 2 33/64	58.7 2.311	70 2.756	19.8 .780	M22 7/8	FL309D1 FL309D1 FL309D1 FL309D1	UEL309D1 UEL309-110D1 UEL309-111D1 UEL309-112D1	11,900	7,200
50 1 7/8 1 15/16	UELFL310D1 UELFL310-114D1 UELFL310-115D1	240 9 7/16	187 7 23/64	19 3/4	48 1 7/8	25 63/64	70 2 3/4	66.6 2.622	76.2 3.000	24.6 .969	M22 7/8	FL310D1 FL310D1 FL310D1	UEL310D1 UEL310-114D1 UEL310-115D1	13,900	8,600
55 2 2 1/8 2 3/16	UELFL311D1 UELFL311-200D1 UELFL311-202D1 UELFL311-203D1	250 9 27/32	198 7 51/64	20 25/32	52 2 1/16	25 63/64	75.2 2 61/64	73 2.874	83 3.268	27.8 1.094	M22 7/8	FL311D1 FL311D1 FL311D1 FL311D1	UEL311D1 UEL311-200D1 UEL311-202D1 UEL311-203D1	16,100	10,100
60 2 1/4 2 3/8 2 7/16	UELFL312D1 UELFL312-204D1 UELFL312-206D1 UELFL312-207D1	270 10 9/8	212 8 11/32	22 7/8	56 2 7/32	31 1 7/32	81.45 3 13/64	79.4 3.126	89 3.504	30.95 1.219	M27 1	FL312D1 FL312D1 FL312D1 FL312D1	UEL312D1 UEL312-204D1 UEL312-206D1 UEL312-207D1	18,400	11,700
65 2 1/2	UELFL313D1 UELFL313-208D1	295 11 5/8	240 9 29/64	25 31/32	58 2 9/32	31 1 7/32	86.15 3 29/64	85.7 3.374	97 3.819	32.55 1.281	M27 1	FL313D1 FL313D1	UEL313D1 UEL313-208D1	20,800	13,400
70 2 11/16 2 3/4	UELFL314D1 UELFL314-211D1 UELFL314-212D1	315 12 13/32	250 9 27/32	28 1 3/32	61 2 13/32	35 1 3/8	93.95 3 45/64	92.1 3.626	102 4.016	34.15 1.344	M30 1 1/8	FL314D1 FL314D1 FL314D1	UEL314D1 UEL314-211D1 UEL314-212D1	23,400	15,300
75 2 15/16 3	UELFL315D1 UELFL315-215D1 UELFL315-300D1	320 12 19/32	260 10 15/16	30 1 3/16	66 2 19/32	35 1 3/8	101.7 4	100 3.937	113 4.449	37.3 1.469	M30 1 1/8	FL315D1 FL315D1 FL315D1	UEL315D1 UEL315-215D1 UEL315-300D1	25,500	17,400
80 3 1/8 3 3/16	UELFL316D1 UELFL316-302D1 UELFL316-303D1	355 13 31/32	285 11 7/32	32 1 1/4	68 2 11/16	38 1 1/2	103.9 4 3/32	106.4 4.189	119 4.685	40.5 1.594	M33 1 1/4	FL316D1 FL316D1 FL316D1	UEL316D1 UEL316-302D1 UEL316-303D1	27,600	19,500
85 3 1/4	UELFL317D1 UELFL317-304D1	370 14 9/16	300 11 13/16	32 1 1/4	74 2 29/32	38 1 1/2	111.45 4 25/64	109.5 4.311	127 5.000	42.05 1.656	M33 1 1/4	FL317D1 FL317D1	UEL317D1 UEL317-304D1	29,800	21,800
90 3 7/16 3 1/2	UELFL318D1 UELFL318-307D1 UELFL318-308D1	385 15 5/32	315 12 63/64	36 1 13/32	76 3	38 1 1/2	116.25 4 37/64	115.9 4.563	133 5.236	43.65 1.719	M33 1 1/4	FL318D1 FL318D1 FL318D1	UEL318D1 UEL318-307D1 UEL318-308D1	32,000	24,100
95 3 3/4	UELFL319D1 UELFL319-312D1	405 15 15/16	330 13	40 1 9/16	94 3 11/16	41 1 39/64	142.4 5 39/64	122.3 4.815	140 5.512	38.9 1.531	M36 1 3/8	FL319D1 FL319D1	UEL319D1 UEL319-312D1	34,500	26,600
100 3 15/16 4	UELFL320D1 UELFL320-315D1 UELFL320-400D1	440 17 5/16	360 14 11/64	40 1 9/16	94 3 11/16	44 1 47/64	137.6 5 27/64	128.6 5.063	146 5.748	50 1.969	M39 1 1/2	FL320D1 FL320D1 FL320D1	UEL320D1 UEL320-315D1 UEL320-400D1	39,000	31,500
105	UELFL321D1	440	360	40	94	44	150.3	139.7	157	48.4	M39	FL321D1	UEL321D1	41,500	34,500
110	UELFL322D1	470	390	42	96	44	152.1	141.3	168	49.2	M39	FL322D1	UEL322D1	46,000	40,500

Units: Millimeters
INCHES

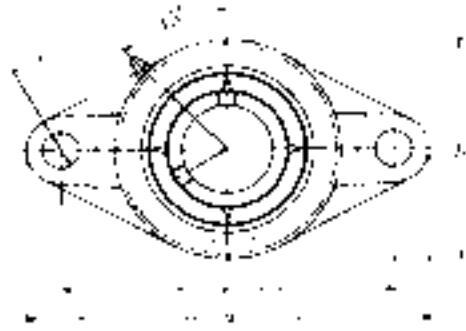


FLANGED UNITS - CAST HOUSING (TWO BOLT)

Shaft Dia.	Complete Flanged Unit Number	Nominal Dimensions										Bolt Size	Housing Number	Bearing Number	Basic Load Ratings (lbs)	
		a	e	g	l	s	b	z	L	Di	n				Dynamic C	Static Co
20 3/4	UELFLU204D1 UELFLU204-012D1	113 4 7/16	90 3 35/64	15 19/32	29.5 1 5/32	11.5 29/64	61 2 13/32	45.6 1 51/64	43.7 1.720	33.3 1.31	17.1 .673	M10 5/16	FLU204D1 FLU204D1	UEL204D1 UEL204-012D1	2,890	1,500
25 1 3/16 7/8 1 5/16 1	UELFLU205D1 UELFLU205-013D1 UELFLU205-014D1 UELFLU205-015D1 UELFLU205-100D1	125 4 29/32	99 3 57/64	15 19/32	30 1 3/16	11.5 29/64	70 2 3/4	45.9 1 13/16	44.4 1.748	38.1 1.50	17.5 .689	M10 3/8	FLU205D1 FLU205D1 FLU205D1 FLU205D1	UEL205D1 UEL205-013D1 UEL205-014D1 UEL205-015D1 UEL205-100D1	3,150	1,770
30 1 1/16 1 1/8 1 3/16 1 1/4	UELFLU206D1 UELFLU206-101D1 UELFLU206-102D1 UELFLU206-103D1 UELFLU206-104D1	142 5 19/32	116.5 4 19/32	16 5/8	33 1 5/16	11.5 29/64	83 3 9/32	50.1 1 31/32	48.4 1.906	44.5 1.75	18.3 .720	M10 3/8	FLU206D1 FLU206D1 FLU206D1 FLU206D1	UEL206D1 UEL206-101D1 UEL206-102D1 UEL206-103D1 UEL206-104D1	4,400	2,540
35 1 1/4 1 5/16 1 3/8 1 7/16	UELFLU207D1 UELFLU207-104D1 UELFLU207-105D1 UELFLU207-106D1 UELFLU207-107D1	156 6 5/32	130 5 1/8	17 21/32	36 1 13/32	14 35/64	96 3 29/32	53.3 2 3/32	51.1 2.012	55.6 2.19	18.8 .740	M12 7/16	FLU207D1 FLU207D1 FLU207D1 FLU207D1	UEL207D1 UEL207-104D1 UEL207-105D1 UEL207-106D1 UEL207-107D1	5,750	3,440
40 1 1/2 1 9/16	UELFLU208D1 UELFLU208-108D1 UELFLU208-109D1	172 6 25/32	143.5 5 21/32	17 21/32	39 1 17/32	14 35/64	105 4 1/8	58.9 2 5/16	56.3 2.217	60.2 2.37	21.4 .843	M12 7/16	FLU208D1 FLU208D1 FLU208D1	UEL208D1 UEL208-108D1 UEL208-109D1	6,550	4,000
45 1 5/8 1 11/16 1 3/4	UELFLU209D1 UELFLU209-110D1 UELFLU209-111D1 UELFLU209-112D1	180 7 3/32	148.5 5 27/32	18 23/32	40 1 9/16	16 5/8	111 4 3/8	58.9 2 5/16	56.3 2.217	63.5 2.50	21.4 .843	M14 1/2	FLU209D1 FLU209D1 FLU209D1 FLU209D1	UEL209D1 UEL209-110D1 UEL209-111D1 UEL209-112D1	7,350	4,590
50 1 13/16 1 7/8 1 15/16 2	UELFLU210D1 UELFLU210-113D1 UELFLU210-114D1 UELFLU210-115D1 UELFLU210-200D1	190 7 15/32	157 6 3/16	20 25/32	46 1 13/16	18 45/64	116 4 9/16	66.1 2 39/64	62.7 2.469	69.9 2.75	24.6 .969	M16 1/2	FLU210D1 FLU210D1 FLU210D1 FLU210D1	UEL210D1 UEL210-113D1 UEL210-114D1 UEL210-115D1 UEL210-200D1	7,900	5,220
55 2 2 1/16 2 1/8 2 3/16	UELFLU211D1 UELFLU211-200D1 UELFLU211-201D1 UELFLU211-202D1 UELFLU211-203D1	217 8 17/32	184 7 1/4	21 13/16	49 1 15/16	18 45/64	134 5 9/32	74.6 2 15/16	71.4 2.811	76.2 3.00	27.8 1.094	M16 9/16	FLU211D1 FLU211D1 FLU211D1 FLU211D1	UEL211D1 UEL211-200D1 UEL211-201D1 UEL211-202D1 UEL211-203D1	9,750	6,570
60 2 1/4 2 3/8 2 7/16	UELFLU212D1 UELFLU212-204D1 UELFLU212-206D1 UELFLU212-207D1	235 9 1/4	202 7 61/64	21 13/16	53 2 3/32	18 45/64	138 5 7/16	80.8 3 3/16	77.8 3.063	84.1 3.31	31 1.220	M16 9/16	FLU212D1 FLU212D1 FLU212D1 FLU212D1	UEL212D1 UEL212-204D1 UEL212-206D1 UEL212-207D1	11,800	8,100
65 2 1/2	UELFLU213D1 UELFLU213-208D1	248 9 3/4	210 8 17/64	22 7/8	59 2 5/16	20.5 13/16	152 5 31/32	89.55 3 17/32	85.7 3.374	97.0 3.82	34.15 1.344	M18 5/8	FLU213D1 FLU213D1	UEL213D1 UEL213-208D1	12,900	9,000
70 2 11/16 2 3/4	UELFLU214D1 UELFLU214-211D1 UELFLU214-212D1	257 10 1/8	216 8 1/2	22 7/8	62 2 7/16	20.5 13/16	159 6 1/4	89.55 3 17/32	85.7 3.374	97.0 3.82	34.15 1.344	M18 5/8	FLU214D1 FLU214D1 FLU214D1	UEL214D1 UEL214-211D1 UEL214-212D1	14,000	9,900
75 2 15/16 3	UELFLU215D1 UELFLU215-215D1 UELFLU215-300D1	266 10 15/32	225 8 55/64	22 7/8	65 2 9/16	20.5 13/16	165 6 1/2	95.7 3 49/64	92 3.622	102 4.02	37.3 1.469	M18 5/8	FLU215D1 FLU215D1 FLU215D1	UEL215D1 UEL215-215D1 UEL215-300D1	14,900	11,130

NTN
SERIES
AELFL2
ECCENTRIC
LOCKING
COLLAR
RELUBE
TYPE

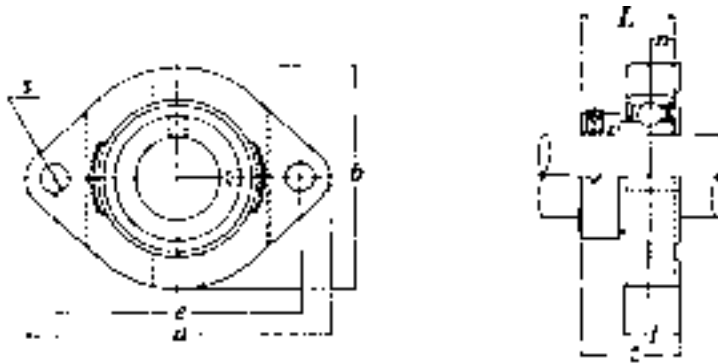
Units: Millimeters
 INCHES



Flanged Units - Cast Housing (2 Bolt)

Shaft Dia.	Complete Pillow Block Number	Nominal Dimensions									Bolt Size	Housing Number	Bearing Number	Basic Load Ratings (lbs)	
		<i>a</i>	<i>e</i>	<i>g</i>	<i>l</i>	<i>s</i>	<i>z</i>	<i>Bi</i>	<i>Di</i>	<i>n</i>				<i>Dynamic C</i>	<i>Static Co</i>
20	AELFL204D1	113	90	11	25.5	12	38.5	31	33.3	7.5	M10	FL204D1	AEL204D1	2,890	1,500
3/4	AELFL204-012D1	4 7/16	3 17/32	7/16	1	15/32	1 33/64	1.219	1.31	0.295	3/8	FL204D1	AEL204-012D1		
25	AELFL205D1	130	99	13	27	16	40	31	38.1	7.5	M14	FL205D1	AEL205D1	3,150	1,770
13/16	AELFL205-013D1	5 1/8	3 29/32	1/2	1 1/16	5/8	1 9/16	1.219	1.50	0.295	1/2	FL205D1	AEL205-013D1		
7/8	AELFL205-014D1											FL205D1	AEL205-014D1		
15/16	AELFL205-015D1											FL205D1	AEL205-015D1		
1	AELFL205-100D1											FL205D1	AEL205-100D1		
30	AELFL206D1	148	117	13	31	16	44.8	35.7	44.5	9	M14	FL206D1	AEL206D1	4,400	2,540
1 1/16	AELFL206-101D1	5 19/16	4 19/32	1/2	1 7/32	5/8	1 49/64	1.406	1.75	0.354	1/2	FL206D1	AEL206-101D1		
1 1/8	AELFL206-102D1											FL206D1	AEL206-102D1		
1 3/16	AELFL206-103D1											FL206D1	AEL206-103D1		
1 1/4	AELFL206-104D1											FL206D1	AEL206-104D1		
35	AELFL207D1	161	130	15	34	16	48.4	38.9	55.6	9.5	M14	FL207D1	AEL207D1	5,750	3,440
1 1/4	AELFL207-104D1	6 11/16	5 1/8	19/32	1 11/32	5/8	1 29/32	1.531	2.19	0.374	1/2	FL207D1	AEL207-104D1		
1 5/16	AELFL207-105D1											FL207D1	AEL207-105D1		
1 3/8	AELFL207-106D1											FL207D1	AEL207-106D1		
1 7/16	AELFL207-107D1											FL207D1	AEL207-107D1		
40	AELFL208D1	175	144	15	36	16	53.6	43.7	60.2	11	M14	FL208D1	AEL208D1	6,550	4,000
1 1/2	AELFL208-108D1	6 7/8	5 21/32	19/32	1 13/32	5/8	2 7/64	1.719	2.37	0.433	1/2	FL208D1	AEL208-108D1		
1 9/16	AELFL208-109D1											FL208D1	AEL208-109D1		
45	AELFL209D1	188	148	16	38	19	54.8	43.7	63.5	11	M16	FL209D1	AEL209D1	7,350	4,590
1 5/8	AELFL209-110D1	7 13/32	5 13/16	5/8	1 1/2	3/4	2 5/32	1.719	2.50	0.433	5/8	FL209D1	AEL209-110D1		
1 11/16	AELFL209-111D1											FL209D1	AEL209-111D1		
1 3/4	AELFL209-112D1											FL209D1	AEL209-112D1		
50	AELFL210D1	197	157	16	40	19	54.8	43.7	69.90	11	M16	FL210D1	AEL210D1	7,900	5,220
1 13/16	AELFL210-113D1	7 3/4	6 3/16	5/8	1 9/16	3/4	2 5/32	1.719	2.75	0.433	5/8	FL210D1	AEL210-113D1		
1 7/8	AELFL210-114D1											FL210D1	AEL210-114D1		
1 15/16	AELFL210-115D1											FL210D1	AEL210-115D1		

Units: Millimeters
INCHES

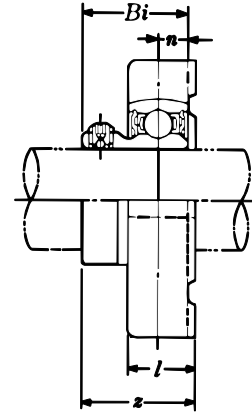
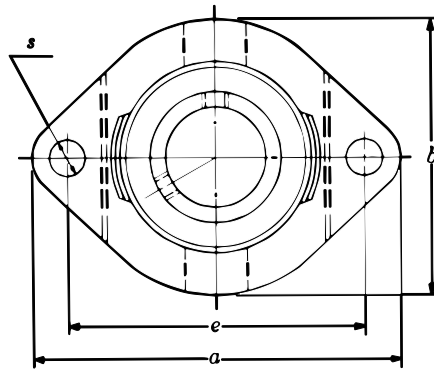


FLANGED UNITS - CAST HOUSING (TWO BOLT)

Shaft Diameter	Complete Flanged Unit Number D ₁	Nominal Dimensions									Bolt Size	Housing Number	Bearing Number	Basic Load Ratings (lbs)	
		a	e	s	b	l	z	L	n	Dynamic C				Static C ₀	
20 3/4	JELFL204D1W3 JELFL204-012D1W3	113 4 7/16	90 3 35/64	12 15/32	60 2 3/8	25.5 1	38.5 1 33/64	31.0 1.220	7.5 .295	M10 5/16	FL204D1 FL204D1	JEL204D1W3 JEL204-012D1W3	2,890	1,500	
25 13/16 7/8 15/16 1	JELFL205D1W3 JELFL205-013D1W3 JELFL205-014D1W3 JELFL205-015D1W3 JELFL205-100D1W3	130 5 1/8	99 3 57/64	16 5/8	68 2 11/16	27 1 1/16	39.5 1 9/16	31.0 1.220	7.5 .295	M14 1/2	FL205D1 FL205D1	JEL205D1W3 JEL205-013D1W3 JEL205-014D1W3 JEL205-015D1W3 JEL205-100D1W3	3,150	1,770	
30 1 1/16 1 1/8 1 3/16 1 1/4	JELFL206D1W3 JELFL206-101D1W3 JELFL206-102D1W3 JELFL206-103D1W3 JELFL206-104D1W3	148 5 13/16	117 4 39/64	16 5/8	80 3 5/12	31 1 7/32	44.7 1 49/64	35.7 1.406	9 .354	M14 1/2	FL206D1 FL206D1	JEL206D1W3 JEL206-101D1W3 JEL206-102D1W3 JEL206-103D1W3 JEL206-104D1W3	4,400	2,540	
35 1 1/4 1 5/16 1 3/8 1 7/8	JELFL207D1W3 JELFL207-104D1W3 JELFL207-105D1W3 JELFL207-106D1W3 JELFL207-107D1W3	161 6 11/32	130 5 1/8	16 5/8	90 3 17/32	34 1 11/32	48.4 1 29/32	38.9 1.531	9.5 .374	M14 1/2	FL207D1 FL207D1	JEL207D1W3 JEL207-104D1W3 JEL207-105D1W3 JEL207-106D1W3 JEL207-107D1W3	5,750	3,440	
40 1 1/2 1 9/16	JELFL208D1W3 JELFL208-108D1W3 JELFL208-109D1W3	175 6 7/8	144 5 43/64	16 5/8	100 3 15/16	36 1 11/32	53.7 2 7/16	43.7 1.720	11 .433	M14 1/2	FL208D1 FL208D1	JEL208D1W3 JEL208-108D1W3 JEL208-109D1W3	6,550	4,000	
45 1 5/8 1 11/16 1 3/4	JELFL209D1W3 JELFL209-110D1W3 JELFL209-111D1W3 JELFL209-112D1W3	188 7 13/32	148 5 53/64	19 3/4	108 4 1/4	38 1 1/2	54.7 2 5/32	43.7 1.720	11 .433	M16 5/8	FL209D1 FL209D1	JEL209D1W3 JEL209-110D1W3 JEL209-111D1W3 JEL209-112D1W3	7,350	4,590	
50 1 13/16 1 7/8 1 15/16 2	JELFL210D1W3 JELFL210-113D1W3 JELFL210-114D1W3 JELFL210-115D1W3 JELFL210-220D1W3	197 7 3/4	157 6 3/16	19 3/4	115 4 17/32	40 19/16	54.7 2 5/32	43.7 1.720	11 .433	M16 5/8	FL210D1 FL210D1	JEL210D1W3 JEL210-113D1W3 JEL210-114D1W3 JEL210-115D1W3 JEL210-220D1W3	7,900	5,220	
55 2 2 1/16 2 1/8 2 3/16	JELFL211D1W3 JELFL211-200D1W3 JELFL211-201D1W3 JELFL211-202D1W3 JELFL211-203D1W3	224 8 13/16	184 7 61/64	19 3/4	130 5 1/8	43 1 11/16	61.4 2 27/64	48.4 1.906	12 .472	M16 5/8	FL211D1 FL211D1	JEL211D1W3 JEL211-200D1W3 JEL211-201D1W3 JEL211-202D1W3 JEL211-203D1W3	9,750	6,570	
60 2 1/4 2 5/16 2 3/8	JELFL212D1W3 JELFL212-204D1W3 JELFL212-205D1W3 JELFL212-206D1W3	250 9 27/32	202 7 61/64	23 29/32	140 5 1/2	48 1 7/8	68.6 2 45/64	53.1 2.091	13.5 .531	M20 3/4	FL212D1 FL212D1	JEL212D1W3 JEL212-204D1W3 JEL212-205D1W3 JEL212-206D1W3	11,800	8,100	



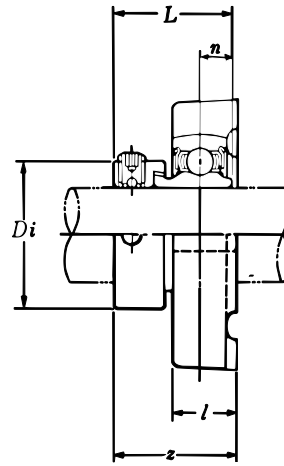
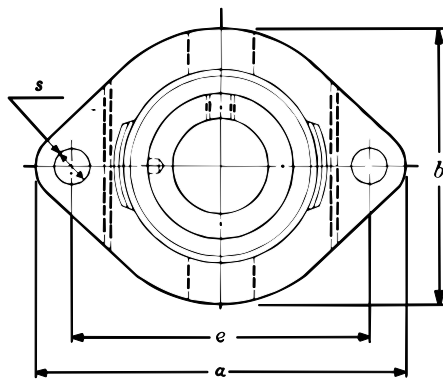
Units: Millimeters
INCHES



FLANGED UNITS - CAST HOUSING (TWO BOLT)

Shaft Dia.	Complete Flanged Unit Number	Nominal Dimensions									Bolt Size	Housing Number	Bearing Number	Basic Load Ratings (lbs)	
		a	e	l	s	b	z	Bi	n	Dynamic C				Static C _n	
12 1/2	ASFD201 ASFD201-008	81 3 3/16	63 2 15/32	15 19/32	7 9/32	59 2 5/16	24.5 31/32	22 .866	6 .236	M6 1/4	FD201 FD201	AS201 AS201-008	2,160	1,040	
15 9/16 5/8	ASFD202 ASFD202-009 ASFD202-010	81 3 3/16	63 2 15/32	15 19/32	7 9/32	59 2 5/16	24.5 31/32	22 .866	6 .236	M6 1/4	FD201 FD201 FD201	AS202 AS202-009 AS202-010	2,160	1,040	
17 1 1/16	ASFD203 *ASFD203-011	81 3 3/16	63 2 15/32	15 19/32	7 9/32	59 2 5/16	24.5 31/32	22 .866	6 .236	M6 1/4	FD201 FD201	AS203 AS203-011	2,160	1,040	
20 3/4	ASFD204 ASFD204-012	90 3 17/32	71 2 25/32	17 2 1/32	10 25/64	67 2 5/8	27.5 1 5/64	25 .984	7 .276	M8 5/16	FD204 FD204	AS204 AS204-012	2,890	1,500	
25 1 3/16 7/8 1 5/16 1	ASFD205 ASFD205-013 ASFD205-014 ASFD205-015 ASFD205-100	95 3 3/4	76 3	17 2 1/32	10 25/64	71 2 25/32	29 1 9/64	27 1.063	7.5 .295	M8 5/16	FD205 FD205 FD205 FD205	AS205 AS205-013 AS205-014 AS205-015 AS205-100	3,150	1,770	
30 1 1/16 1 1/8 1 3/16 1 1/4	ASFD206 ASFD206-101 ASFD206-102 ASFD206-103 *ASFD206-104	113 4 7/16	90 3 17/32	21 1 3/16	12 15/32	84 3 5/16	33 1 19/64	29 1.142	8 .315	M10 3/8	FD206 FD206 FD206 FD206	AS206 AS206-101 AS206-102 AS206-103 AS206-104	4,400	2,540	
35 1 1/4 1 5/16 1 3/8 1 7/16	ASFD207 ASFD207-104 ASFD207-105 ASFD207-106 *ASFD207-107	125 4 29/32	100 3 15/16	22 7/8	12 15/32	94 3 1 1/16	38 1 1/2	34 1.339	8.5 .335	M10 3/8	FD207 FD207 FD207 FD207	AS207 AS207-104 AS207-105 AS207-106 AS207-107	5,750	3,440	

Remarks: 1) If relubricatable type is needed, please order with suffix "A-", "D1", ex. A-ASFD201D1



Units: Millimeters
INCHES



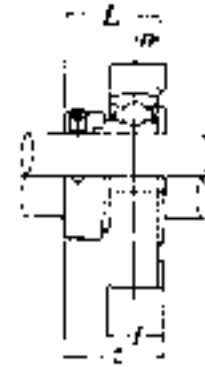
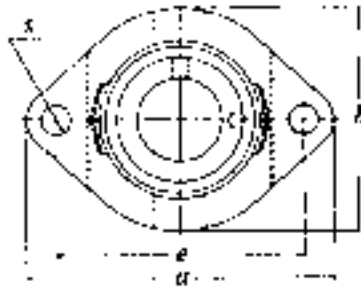
FLANGED UNITS - CAST HOUSING (TWO BOLT)

Shaft Dia.	Complete Flanged Unit Number	Nominal Dimensions								Bolt Size	Housing Number	Bearing Number	Basic Load Ratings (lbs)	
		a	e	s	l	b	Di	L	n				Dynamic C	Static Co
12 ½	AELFD201 AELFD201-008	81 3 ⅜	63 2 15/32	7 9/32	15 1 9/32	59 2 5/16	29 1.14	28.6 1.126	6.5 .256	M6 ¼	FD201 FD201	AEL201 AEL201-008	2,160	1,040
15 9/16 5/8	AELFD202 AELFD202-009 AELFD202-010	81 3 3/16	63 2 15/32	7 9/32	15 1 9/32	59 2 5/16	29 1.14	28.6 1.126	6.5 .256	M6 ¼	FD201 FD201 FD201	AEL202 AEL202-009 AEL202-010	2,160	1,040
17 1 1/16	AELFD203 AELFD203-011	81 3 3/16	63 2 15/32	7 9/32	15 1 9/32	59 2 5/16	29 1.14	28.6 1.126	6.5 .256	M6 ¼	FD201 FD201	AEL203 AEL203-011	2,160	1,040
20 ¾	AELFD204 AELFD204-012	90 3 17/32	71 2 25/32	10 25/64	17 2 1/32	67 2 5/8	33.3 1.31	31 1.220	7.5 .295	M8 5/16	FD204 FD204	AEL204 AEL204-012	2,890	1,500
25 13/16 7/8 15/16 1	AELFD205 AELFD205-013 AELFD205-014 AELFD205-015 AELFD205-100	95 3 ¾	76 3	10 25/64	17 2 1/32	71 2 25/32	38.1 1.50	31 1.220	7.5 .295	M8 5/16	FD205 FD205 FD205 FD205	AEL205 AEL205-013 AEL205-014 AEL205-015 AEL205-100	3,150	1,770
30 1 1/16 1 1/8 1 3/16 1 ¼	AELFD206 AELFD206-101 AELFD206-102 AELFD206-103 AELFD206-104	113 4 7/16	90 3 17/32	12 15/32	21 1 3/16	84 3 5/16	44.5 1.75	35.7 1.406	9 .354	M10 3/8	FD206 FD206 FD206 FD206	AEL206 AEL206-101 AEL206-102 AEL206-103 AEL206-104	4,400	2,540
35 1 ¼ 1 5/16 1 3/8 1 7/16	AELFD207 AELFD207-104 AELFD207-105 AELFD207-106 AELFD207-107	125 4 29/32	100 3 15/16	12 15/32	22 7/8	94 3 11/16	55.6 2.19	38.9 1.531	9.5 .374	M10 3/8	FD207 FD207 FD207 FD207	AEL207 AEL207-104 AEL207-105 AEL207-106 AEL207-107	5,750	3,440

Remarks: 1) If relubricatable type is needed, please order with suffix "A-", "D1", ex. A-AELFD201D1

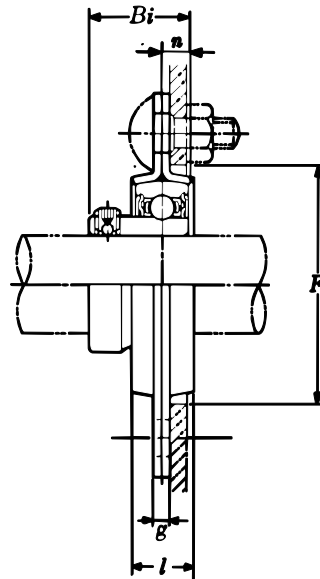
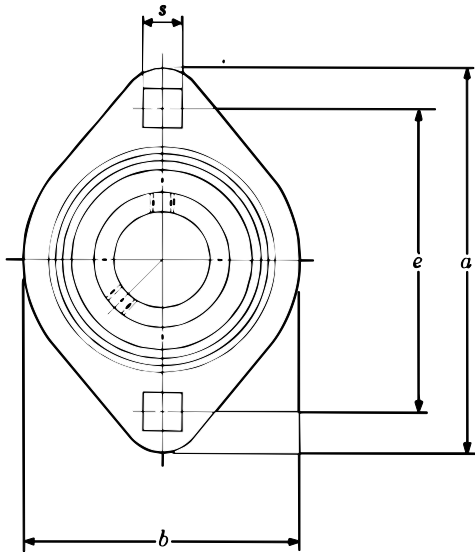
NTN
SERIES
JELFD2
ECENTRIC
LOCKING
COLLAR
TYPE

Units: Millimeters
 INCHES

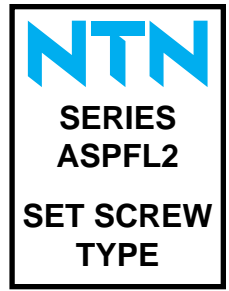


FLANGED UNITS - CAST HOUSING (TWO BOLT)

Shaft Dia.	Complete Flanged Unit Number	Nominal Dimensions									Bolt Size	Housing Number	Bearing Number	Basic Load Ratings (lbs)	
		a	e	s	b	l	z	Di	L	n				Dynamic C	Static Co
12 1/2	JELFD201 JELFD201-008	81 3 3/16	63 2 15/32	7 9/32	59 2 5/16	15 19/32	30.6 1 13/64	29 1.14	28.6 1.126	6.5 .256	M6 1/4	FD201 FD201	JEL201 JEL201-008	2,160	1,030
15 9/16 5/8	JELFD202 JELFD202-009 JELFD202-010	81 3 3/16	63 2 15/32	7 9/32	59 2 5/16	15 19/32	30.6 1 13/64	29 1.14	28.6 1.126	6.5 .256	M6 1/4	FD201 FD201 FD201	JEL202 JEL202-009 JEL202-010	2,160	1,030
17 1 1/16	JELFD203 JELFD203-011	81 3 3/16	63 2 15/32	7 9/32	59 2 5/16	15 19/32	30.6 1 13/64	29 1.14	28.6 1.126	6.5 .256	M6 1/4	FD201 FD201	JEL203 JEL203-011	2,160	1,030
20 3/4	JELFD204 JELFD204-012	90 3 17/32	71 2 25/32	10 25/64	67 2 5/8	17 2 1/32	33 1 19/64	33.3 1.31	31 1.220	7.5 .295	M8 5/16	FD204 FD204	JEL204 JEL204-012	2,890	1,500
25 1 3/16 7/8 15/16 1	JELFD205 JELFD205-013 JELFD205-014 JELFD205-015 JELFD205-100	95 3 3/4	76 3	10 25/64	71 2 25/32	17 2 1/32	33 1 19/64	38.1 1.50	31 1.220	7.5 .295	M8 5/16	FD205 FD205 FD205 FD205	JEL205 JEL205-013 JEL205-014 JEL205-015 JEL205-100	3,150	1,770
30 1 1/16 1 1/8 1 3/16 1 1/4	JELFD206 JELFD206-101 JELFD206-102 JELFD206-103 JELFD206-104	113 4 7/16	90 3 17/32	12 15/32	84 3 5/16	21 1 13/16	38.7 1 17/32	44.5 1.75	35.7 1.406	9 .354	M10 3/8	FD206 FD206 FD206 FD206	JEL206 JEL206-101 JEL206-102 JEL206-103 JEL206-104	4,400	2,540
35 1 1/4 1 5/16 1 3/8 1 7/16	JELFD207 JELFD207-104 JELFD207-105 JELFD207-106 JELFD207-107	125 4 29/32	100 3 15/16	12 15/32	94 3 11/16	22 7/8	41.9 1 21/32	55.6 2.19	38.9 1.531	9.5 .374	M10 3/8	FD207 FD207 FD207 FD207	JEL207 JEL207-104 JEL207-105 JEL207-106 JEL207-107	5,750	3,450



Units: Millimeters
INCHES



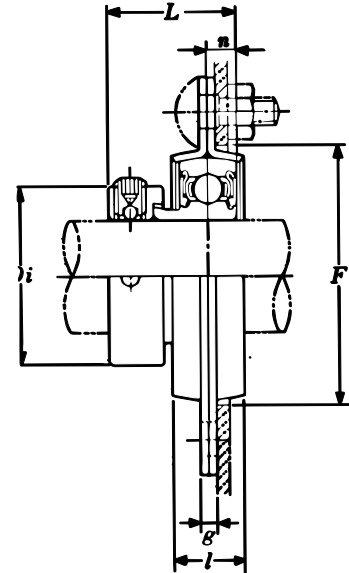
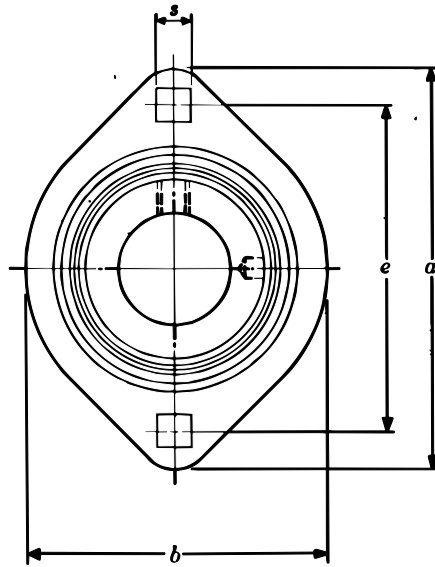
FLANGED UNITS - PRESSED STEEL HOUSING (TWO BOLT)

Shaft Dia.	Complete Flanged Unit Number	Nominal Dimensions								Bolt Size	Housing Number	Bearing Number	Basic Load Ratings (lbs)		Max. Radial Load (lbs)
		<i>a</i>	<i>e</i>	<i>g</i>	<i>s</i>	<i>l</i>	<i>Bi</i>	<i>n</i>	(min) <i>F</i>				<i>C</i>	<i>C₀</i>	
12 ½	ASPFL201 ASPFL201-008	81 3 ¾	63 2 15/32	4 .157	7 9/32	14 9/16	22 .866	6 .236	49 1 15/16	M6 ¼	PFL203 PFL203	AS201 AS201-008	2,160	1,040	600
15 9/16 5/8	ASPFL202 ASPFL202-009 ASPFL202-010	81 3 ¾	63 2 15/32	4 .157	7 9/32	14 9/16	22 .866	6 .236	49 1 15/16	M6 ¼	PFL203 PFL203 PFL203	AS202 AS202-009 AS202-010	2,160	1,040	600
17 1 1/16	ASPFL203 ASPFL203-011	81 3 ¾	63 2 15/32	4 .157	7 9/32	14 9/16	22 .866	6 .236	49 1 15/16	M6 ¼	PFL203 PFL203	AS203 AS206-011	2,160	1,040	600
20 ¾	ASPFL204 ASPFL204-012	90 3 17/32	71 2 25/32	4 .157	9 23/64	16 5/8	25 .984	7 .276	56 2 7/32	M8 5/16	PFL204 PFL204	AS204 AS204-012	2,890	1,500	660
25 1 3/16 7/8 15/16 1	ASPFL205 ASPFL205-013 ASPFL205-014 ASPFL205-015 ASPFL205-100	95 3 ¾	76 3	4 .157	9 23/64	18 23/32	27 1.063	7.5 .295	60 2 ¾	M8 5/16	PFL205 PFL205 PFL205 PFL205	AS205 AS205-013 AS205-014 AS205-015 AS205-100	3,150	1,770	880
30 1 1/16 1 1/8 1 3/16	ASPFL206 ASPFL206-101 ASPFL206-102 ASPFL206-103 ASPFL206-104	113 4 7/16	90 3 17/32	5.2 .205	11 7/16	18 23/32	29 1.142	8 .315	71 2 25/32	M10 ¾	PFL206 PFL206 PFL206 PFL206 PFL206	AS206 AS206-101 AS206-102 AS206-103 AS206-104	4,400	2,540	1,100
35 1 ¼ 1 5/16 1 ¾ 1 7/16	ASPFL207 ASPFL207-104 ASPFL207-105 ASPFL207-106 ASPFL207-107	122 4 13/16	100 3 15/16	5.2 .205	11 7/16	20 25/32	34 1.339	8.5 .335	81 3 3/16	M10 ¾	PFL207 PFL207 PFL207 PFL207	AS207 AS207-104 AS207-105 AS207-106 AS207-107	5,750	3,440	1,300

Axial load should be less than 1/3 of radial load.

NTN
SERIES
AELPFL2
ECCENTRIC
LOCKING
COLLAR
TYPE

Units: Millimeters
 INCHES

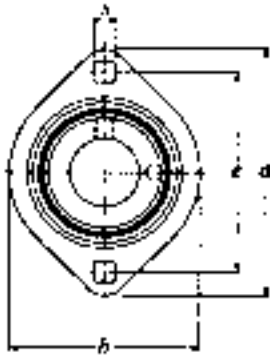


FLANGED UNITS - PRESSED STEEL HOUSING (TWO BOLT)

Shaft Dia.	Complete Flanged Unit Number	Nominal Dimensions										Bolt Size	Housing Number	Bearing Number	Basic Load Ratings (lbs)		Max. Radial Load (lbs)
		<i>a</i>	<i>e</i>	<i>g</i>	<i>s</i>	<i>l</i>	<i>b</i>	<i>Di</i>	<i>L</i>	<i>n</i>	$\frac{(\min)}{F}$				<i>C_d</i>	<i>C_s</i>	
12 1/2	AELPFL201 AELPFL201-008W3	81 3 3/16	63 2 15/32	4 .157	7 9/32	14 9/16	59 2 5/16	29 1.14	28.6 1.126	6.5 .256	49 1 15/16	M6 1/4	PFL203 PFL203	AEL201 AEL201-088W3	2,160	1,040	600
15 9/16 5/8	AELPFL202 AELPFL202-009W3 AELPFL202-010W3	81 3 3/16	63 2 15/32	4 .157	7 9/32	14 9/16	59 2 5/16	29 1.14	28.6 1.126	6.5 .256	49 1 15/16	M6 1/4	PFL203 PFL203 PFL203	AEL202 AEL202-009W3 AEL202-010W3	2,160	1,040	600
17 11/16	AELPFL203 AELPFL203-011W3	81 3 3/16	63 2 15/32	4 .157	7 9/32	14 9/16	59 2 5/16	29 1.14	28.6 1.126	6.5 .256	49 1 15/16	M6 1/4	PFL203 PFL203	AEL203 AEL203-011W3	2,160	1,040	600
20 3/4	AELPFL204 AELPFL204-012W3	90 3 17/32	71 2 25/32	4 .157	9 23/64	16 5/8	67 2 5/8	33.3 1.31	31 1.220	7.5 .295	56 2 7/32	M8 5/16	PFL204 PFL204	AEL204 AEL204-012W3	2,890	1,500	660
25 1 3/16 7/8 1 1/4	AELPFL205 AELPFL205-013W3 AELPFL205-014W3 AELPFL205-015W3 AELPFL205-100W3	95 3 3/4	76 3	4 .157	9 23/64	18 23/32	71 2 25/32	38.1 1.50	31 1.220	7.5 .295	60 2 3/8	M8 5/16	PFL205 PFL205 PFL205 PFL205 PFL205	AEL205 AEL205-013W3 AEL205-014W3 AEL205-015W3 AEL205-100W3	3,150	1,770	880
30 1 1/16 1 1/8 1 3/16 1 1/4	AELPFL206 AELPFL206-101W3 AELPFL206-102W3 AELPFL206-103W3 AELPFL206-104W3	113 4 7/16	90 3 17/32	5.2 .205	11 7/16	18 23/32	84 3 5/16	44.5 1.75	35.7 1.406	9 .354	71 2 25/32	M10 3/8	PFL206 PFL206 PFL206 PFL206 PFL206	AEL206 AEL206-101W3 AEL206-102W3 AEL206-103W3 AEL206-104W3	4,400	2,540	1,100
35 1 1/4 1 5/16 1 3/8 1 7/16	AELPFL207 AELPFL207-104W3 AELPFL207-105W3 AELPFL207-106W3 AELPFL207-107W3	122 4 13/16	100 3 15/16	5.2 .205	11 7/16	20 25/32	94 3 11/16	55.6 2.19	38.9 1.531	9.5 .374	81 3 3/16	M10 3/8	PFL207 PFL207 PFL207 PFL207 PFL207	AEL207 AEL207-104W3 AEL207-105W3 AEL207-106W3 AEL207-107W3	5,750	3,440	1,300

Axial load should be less than 1/3 of radial load.

Units: Millimeters
INCHES



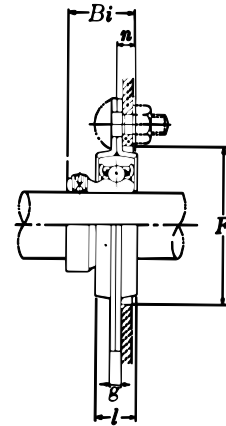
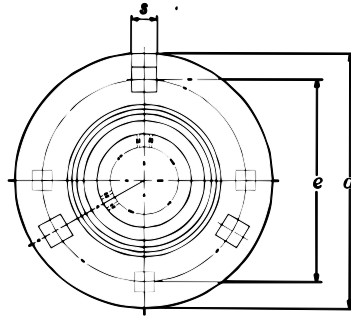
FLANGED UNITS - PRESSED STEEL HOUSING (TWO BOLT)

Shaft Dia.	Complete Flanged Unit Number	Nominal Dimensions										Bolt Size	Housing Number	Bearing Number	Basic Load Ratings (lbs)		Max. Radial Load (lbs)
		a	e	g	s	l	b	Di	L	n	(min) F				Dynamic C	Static C ₀	
12 1/2	JELPFL201 JELPFL201-008	81 3 3/16	63 2 15/32	4 .157	7 9/32	14 9/16	59 2 5/16	29 1.14	28.6 1.126	6.5 .256	49 1 15/16	M6 1/4	PFL203 JEL201-088	JEL201	2,160	1,030	600
15 9/16 5/8	JELPFL202 JELPFL202-009 JELPFL202-010	81 3 3/16	63 2 15/32	4 .157	7 9/32	14 9/16	59 2 5/16	29 1.14	28.6 1.126	6.5 .256	49 1 15/16	M6 1/4	PFL203 PFL203 PFL203	JEL202 JEL202-009 JEL202-010	2,160	1,030	600
17 1 1/16	JELPFL203 JELPFL203-011	81 3 3/16	63 2 15/32	4 .157	7 9/32	14 9/16	59 2 5/16	29 1.14	28.6 1.126	6.5 .256	49 1 15/16	M6 1/4	PFL203 PFL203	JEL203 JEL203-011	2,160	1,030	600
20 3/4	JELPFL204 JELPFL204-012	90 3 17/32	71 2 25/32	4 .157	9 23/64	16 5/8	67 2 5/8	33.3 1.31	31 1.220	7.5 .295	56 2 7/32	M8 5/16	PFL204 PFL204	JEL204 JEL204-012	2,890	1,500	660
25 1 3/16 7/8 1 15/16 1	JELPFL205 JELPFL205-013 JELPFL205-014 JELPFL205-015 JELPFL205-100	95 3 3/4	76 3	4 .157	9 23/64	18 23/32	71 2 29/32	38.1 1.50	31 1.220	7.5 .295	60 2 3/8	M8 5/16	PFL205 PFL205 PFL205 PFL205	JEL205 JEL205-013 JEL205-014 JEL205-015 JEL205-100	3,150	1,770	880
30 1 1/16 1 1/8 1 3/16 1 1/4	JELPFL206 JELPFL206-101 JELPFL206-102 JELPFL206-103 JELPFL206-104	113 4 7/16	90 3 17/32	5.2 .205	11 7/16	18 23/32	84 3 5/16	44.5 1.75	35.7 1.406	9 .354	71 2 25/32	M10 3/8	PFL206 PFL206 PFL206 PFL206	JEL206 JEL206-101 JEL206-102 JEL206-103 JEL206-104	4,400	2,540	1,100
35 1 1/4 1 9/16 1 3/8 1 7/16	JELPFL207 JELPFL207-104 JELPFL207-105 JELPFL207-106 JELPFL207-107	122 4 13/16	100 3 15/16	5.2 .205	11 7/16	20 25/32	94 3 11/16	55.6 2.19	38.9 1.531	9.5 .374	81 3 3/16	M10 3/8	PFL207 PFL207 PFL207 PFL207	JEL207 JEL207-104 JEL207-105 JEL207-106 JEL207-107	5,750	3,450	1,300

Axial load should be less than 1/3 of radial load.



Units: Millimeters
INCHES

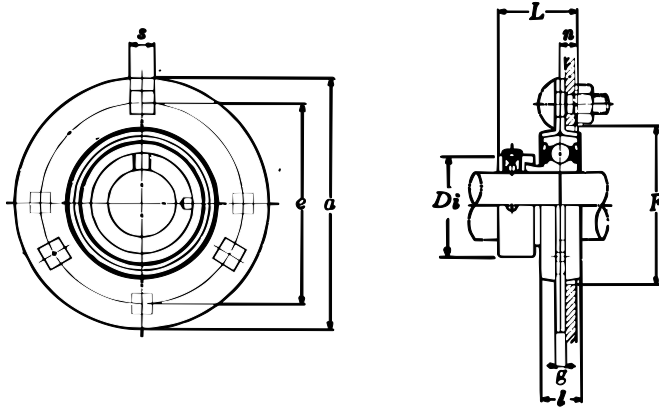


FLANGED UNITS - PRESSED STEEL HOUSING (THREE BOLT)

Shaft Dia.	Complete Flanged Unit Number	Nominal Dimensions								Bolt Size	Housing Number	Bearing Number	Basic Load Ratings (lbs)		Max. Radial Load (lbs)
		a	e	g	s	l	Bi	n	(min) F				Dynamic C	Static C ₀	
12 ½	ASPF201 ASPF201-008	81 3 ¾	63 2 15/32	4 .157	7 9/32	14 9/16	22 .866	6 .236	49 1 15/16	M6 ¼	PF203 PF203	AS201 AS201-008	2,160	1,040	600
15 9/16 5/8	ASPF202 ASPF202-009 ASPF202-010	81 3 ¾	63 2 15/32	4 .157	7 9/32	14 9/16	22 .866	6 .236	49 1 15/16	M6 ¼	PF203 PF203 PF203	AS202 AS202-009 AS202-010	2,160	1,040	600
17 1 1/16	ASPF203 ASPF203-011	81 3 ¾	63 2 15/32	4 .157	7 9/32	14 9/16	22 .866	6 .236	49 1 15/16	M6 ¼	PF203 PF203	AS203 AS203-011	2,160	1,040	600
20 ¾	ASPF204 ASPF204-012	90 3 17/32	71 2 29/32	4 .157	9 23/64	16 5/8	25 .984	7 .276	56 2 7/32	M8 5/16	PF204 PF204	AS204 AS204-012	2,890	1,500	660
25 1 3/16 7/8 15/16 1	ASPF205 ASPF205-013 ASPF205-014 ASPF205-015 ASPF205-100	95 3 ¾	76 3	4 .157	9 23/64	18 23/32	27 1.063	7.5 .295	60 2 ¾	M8 5/16	PF205 PF205 PF205 PF205	AS205 AS205-013 AS205-014 AS205-015 AS205-100	3,150	1,770	880
30 1 1/16 1 1/8 1 3/16 1 ¼	ASPF206 ASPF206-101 ASPF206-102 ASPF206-103 ASPF206-104	113 4 7/16	90 3 17/32	5.2 .205	11 7/16	18 23/32	29 1.142	8 .315	71 2 25/32	M10 ¾	PF206 PF206 PF206 PF206	AS206 AS206-101 AS206-102 AS206-103 AS206-104	4,400	2,540	1,100
35 1 ¼ 1 5/16 1 ¾ 1 7/16	ASPF207 ASPF207-104 ASPF207-105 ASPF207-106 ASPF207-107	122 4 13/16	100 3 15/16	5.2 .205	11 7/16	20 25/32	34 1.339	8.5 .335	81 3 3/16	M10 ¾	PF207 PF207 PF207 PF207	AS207 AS207-104 AS207-105 AS207-106 AS207-107	5,750	3,440	1,300
40 1 ½ 1 9/16	ASPF208 ASPF208-108 ASPF208-109	148 5 13/16	119 4 11/16	6.8 .268	14 9/16	21 13/16	38 1.496	9 .354	91 3 9/16	M12 ½	PF208 PF208 PF208	AS208 AS208-108 AS208-109	6,550	4,000	1,500

Axial load should be less than 1/3 of radial load.

Units: Millimeters
INCHES



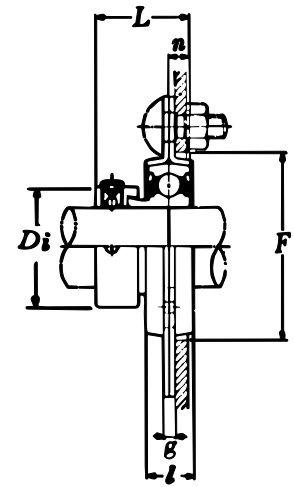
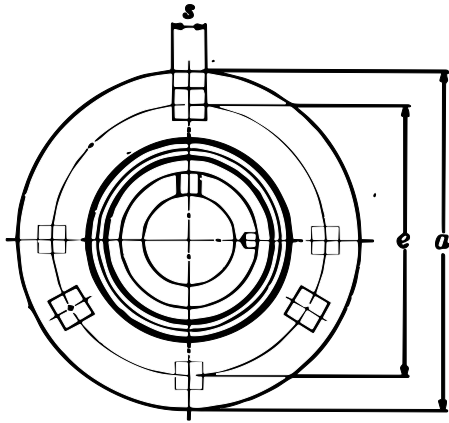
FLANGED UNITS - PRESSED STEEL HOUSING (THREE BOLT)

Shaft Dia.	Complete Flanged Unit Number	Nominal Dimensions								Bolt Size	Housing Number	Bearing Number	Basic Load Ratings (lbs)		Max. Radial Load (lbs)
		a	e	g	s	l	Bi	n	(min) F				Dynamic C	Static C ₀	
12 ½	AELPF201 AELPF201-008W3	81 3 ⅜	63 2 15/32	4 .157	7 9/32	14 9/16	29 1.14	6.5 .256	49 1 15/16	M6 ¼	PF203	AEL201 AEL201-008W3	2160	1040	600
15 9/16 5/8	AELPF202 AELPF202-009W3 AELPF202-010W3	81 3 ⅜	63 2 15/32	4 .157	7 9/32	14 9/16	29 1.14	6.5 .256	49 1 15/16	M6 ¼	PF203 PF203 PF203	AEL202 AEL202-009W3 AEL202-010W3	2160	1040	600
17 1 1/16	AELPF203 AELPF203-011W3	81 3 ⅜	63 2 15/32	4 .157	7 9/32	14 9/16	29 1.14	6.5 .256	49 1 15/16	M6 ¼	PF203 PF203	AEL203 AEL203-011W3	2160	1040	600
20 ¾	AELPF204 AELPF204-012W3	90 3 17/32	71 2 25/32	4 .157	9 23/64	16 5/8	33.3 1.31	7.5 .295	56 2 7/32	M8 5/16	PF204 PF204	AEL204 AEL204-012W3	2890	1500	660
25 1 3/16 7/8 15/16 1	AELPF205 AELPF205-013W3 AELPF205-014W3 AELPF205-015W3 AELPF205-100W3	95 3 ¾	76 3	4 .157	9 23/64	18 23/32	38.1 1.50	7.5 .295	60 2 3/8	M8 5/16	PF205 PF205 PF205 PF205	AEL205 AEL205-013W3 AEL205-014W3 AEL205-015W3 AEL205-100W3	3150	1770	880
30 1 1/16 1 1/8 1 3/16 1 ¼	AELPF206 AELPF206-101W3 AELPF206-102W3 AELPF206-103W3 AELPF206-104W3	113 4 7/16	90 3 17/32	5.2 .205	11 7/16	18 23/32	44.5 1.75	9 .354	71 2 25/32	M10 3/8	PF206 PF206 PF206 PF206	AEL206 AEL206-101W3 AEL206-102W3 AEL206-103W3 AEL206-104W3	4400	2540	1100
35 1 ¼ 1 5/16 1 3/8 1 7/16	AELPF207 AELPF207-104W3 AELPF207-105W3 AELPF207-106W3 AELPF207-107W3	122 4 13/16	100 3 15/16	5.2 .205	11 7/16	20 25/32	55.6 2.19	9.5 .374	81 3 3/16	M10 3/8	PF207 PF207 PF207 PF207	AEL207 AEL207-104W3 AEL207-105W3 AEL207-106W3 AEL207-107W3	5750	3440	1300
40 1 ½ 1 9/16	AELPF208 AELPF208-108W3 AELPF208-109W3	148 5 13/16	119 4 11/16	6.8 .268	14 9/16	21 1 1/16	60 2.36	11 .433	91 3 3/16	M12 ½	PF208 PF208 PF208	AEL208 AEL208-108W3 AEL208-109W3	6550	4000	1500

Axial load should be less than 1/3 of radial load.
AELPF208 has four bolt holes.

NTN
SERIES
JELPF2
ECCENTRIC
LOCKING
COLLAR
TYPE

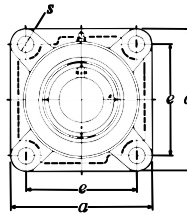
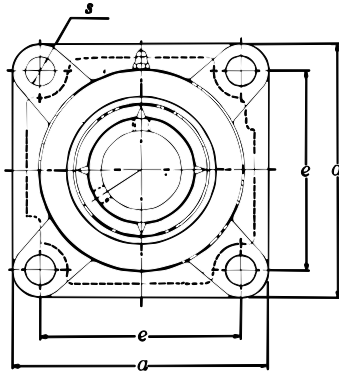
Units: Millimeters
 INCHES



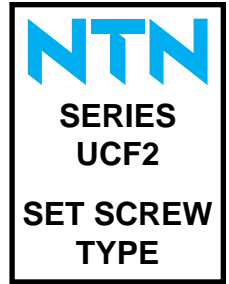
FLANGED UNITS - PRESSED STEEL HOUSING (THREE BOLT)

Shaft Dia.	Complete Flanged Unit Number	Nominal Dimensions										Bolt Size	Housing Number	Bearing Number	Basic Load Ratings (lbs)		Max. Radial Load (lbs)
		a	e	g	s	l	Di	L	n	(min) F	Dynamic C				Static Co		
12 ½	JELPF201 JELPF201-008	81 3 ¾	63 2 15/32	4 .157	7 7/32	14 9/16	29 1.14	28.6 1.126	6.5 .256	49 1 15/16	M6 ¼	PF203 PF203	JEL201 JEL201-008	2160	1030	600	
15 9/16 5/8	JELPF202 JELPF202-009 JELPF202-010	81 3 ¾	63 2 15/32	4 .157	7 7/32	14 9/16	29 1.14	28.6 1.126	6.5 .256	49 1 15/16	M6 ¼	PF203 PF203 PF203	JEL202 JEL202-009 JEL202-010	2160	1030	600	
17 1 1/16	JELPF203 JELPF203-011	81 3 ¾	63 2 15/32	4 .157	7 7/32	14 9/16	29 1.14	28.6 1.126	6.5 .256	49 1 15/16	M6 ¼	PF203 PF203	JEL203 JEL203-011	2160	1030	600	
20 ¾	JELPF204 JELPF204-012	90 3 17/32	71 2 25/32	4 .157	9 23/64	16 5/8	33.3 1.31	31 1.220	7.5 .295	56 2 7/32	M8 5/16	PF204 PF204	JEL204 JEL204-012	2890	1500	660	
25 13/16 7/8 15/16 1	JELPF205 JELPF205-013 JELPF205-014 JELPF205-015 JELPF205-100	95 3 ¾	76 3	4 .157	9 23/64	18 23/32	38.1 1.50	31 1.220	7.5 .295	60 2 3/8	M8 5/16	PF205 PF205 PF205 PF205	JEL205 JEL205-013 JEL205-014 JEL205-015 JEL205-100	3150	1770	880	
30 1 1/16 1 1/8 1 3/16 1 1/4	JELPF206 JELPF206-101 JELPF206-102 JELPF206-103 JELPF206-104	113 4 1/16	90 3 17/32	5.2 .205	11 7/16	18 23/32	44.5 1.75	35.7 1.406	9 .354	71 2 25/32	M10 3/8	PF206 PF206 PF206 PF206 PF206	JEL206 JEL206-101 JEL206-102 JEL206-103 JEL206-104	4400	2540	1100	
35 1 1/4 1 5/16 1 3/8 1 7/16	JELPF207 JELPF207-104 JELPF207-105 JELPF207-106 JELPF207-107	122 4 13/16	100 3 15/16	5.2 .205	11 7/16	20 25/32	55.6 2.19	38.9 1.531	9.5 .374	81 3 3/16	M10 3/8	PF207 PF207 PF207 PF207 PF207	JEL207 JEL207-104 JEL207-105 JEL207-106 JEL207-107	5750	3450	1300	
40 1 1/2 1 9/16	JELPF208 JELPF208-108 JELPF208-109	148 5 13/16	119 4 11/16	6.8 .268	14 9/16	21 1 1/16	60 2.36	43.7 1.720	11 .433	91 3 9/16	M12 1/2	PF208 PF208 PF208	JEL208 JEL208-108 JEL208-109	6550	4000	1500	

Axial load should be less than 1/3 of radial load.
 JELPF208 has four bolt holes.



Units: Millimeters
INCHES



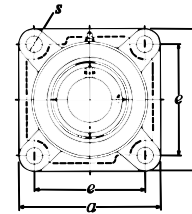
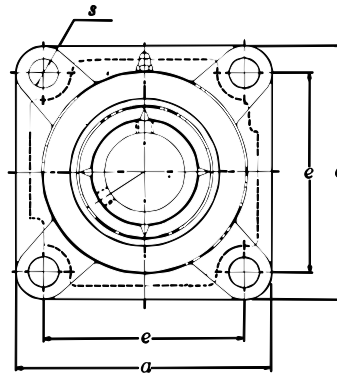
FLANGED UNITS - CAST HOUSING (FOUR BOLT)

Shaft Dia.	Complete Flanged Unit Number	Nominal Dimensions								Bolt Size	Housing Number	Bearing Number	Basic Load Ratings (lbs)	
		a	e	g	l	s	z	Bi	n				Dynamic C	Static C ₀
12 ½	UCF201D1 UCF201-008D1	86 3 ¾	64 2 33/64	11 7/16	25.5 1	12 15/32	33.3 1 5/16	31 1.220	12.7 .500	M10 ¾	F204D1 F204D1	UC201D1 UC201-008D1	2,890	1,500
15 9/16 5/8	UCF202D1 UCF202-009D1 UCF202-010D1	86 3 ¾	64 2 33/64	11 7/16	25.5 1	12 15/32	33.3 1 5/16	31 1.220	12.7 .500	M10 ¾	F204D1 F204D1 F204D1	UC202D1 UC202-009D1 UC202-010D1	2,890	1,500
17 1 1/16	UCF203D1 UCF203-011D1	86 3 ¾	64 2 33/64	11 7/16	25.5 1	12 15/32	33.3 1 5/16	31 1.220	12.7 .500	M10 ¾	F204D1 F204D1	UC203D1 UC203-011D1	2,890	1,500
20 ¾	UCF204D1 UCF204-012D1	86 3 ¾	64 2 33/64	11 7/16	25.5 1	12 15/32	33.3 1 5/16	31 1.220	12.7 .500	M10 ¾	F204D1 F204D1	UC204D1 UC204-012D1	2,890	1,500
25 1 3/16 7/8 1 5/16 1	UCF205D1 UCF205-013D1 UCF205-014D1 UCF205-015D1 UCF205-100D1	95 3 ¾	70 2 ¾	13 ½	27 1 1/16	12 15/32	35.7 1 13/32	34 1.339	14.3 .563	M10 ¾	F205D1 F205D1 F205D1 F205D1 F205D1	UC205D1 UC205-013D1 UC205-014D1 UC205-015D1 UC205-100D1	3,150	1,770
30 1 1/16 1 1/8 1 3/16 1 ¼	UCF206D1 UCF206-101D1 UCF206-102D1 UCF206-103D1 *UCF206-104D1	108 4 ¼	83 3 17/64	13 ½	31 1 7/32	12 15/32	40.2 1 37/64	38.1 1.500	15.9 .626	M10 ¾	F206D1 F206D1 F206D1 F206D1 F206D1	UC206D1 UC206-101D1 UC206-102D1 UC206-103D1 UC206-104D1	4,400	2,540
35 1 ¼ 1 5/16 1 ¾ 1 7/16	UCF207D1 UCF207-104D1 UCF207-105D1 UCF207-106D1 *UCF207-107D1	117 4 19/32	92 3 5/8	15 19/32	34 1 11/32	14 35/64	44.4 1 ¾	42.9 1.689	17.5 .689	M12 ½	F207D1 F207D1 F207D1 F207D1 F207D1	UC207D1 UC207-104D1 UC207-105D1 UC207-106D1 UC207-107D1	5,750	3,440
40 1 ½ 1 9/16	UCF208D1 UCF208-108D1 UCF208-109D1	130 5 ½	102 4 1/64	15 19/32	36 1 13/32	16 5/8	51.2 2 1/64	49.2 1.937	19 .748	M14 ½	F208D1 F208D1 F208D1	UC208D1 UC208-108D1 UC208-109D1	6,550	4,000
45 1 5/8 1 11/16 1 ¾	UCF209D1 UCF209-110D1 UCF209-111D1 UCF209-112D1	137 5 13/32	105 4 9/64	16 5/8	38 1 ½	16 5/8	52.2 2 1/16	49.2 1.937	19 .748	M14 ½	F209D1 F209D1 F209D1 F209D1	UC209D1 UC209-110D1 UC209-111D1 UC209-112D1	7,350	4,590
50 1 13/16 1 7/8 1 15/16 2	UCF210D1 UCF210-113D1 UCF210-114D1 UCF210-115D1 UCF210-200D1	143 5 5/8	111 4 3/8	16 5/8	40 1 9/16	16 5/8	54.6 2 5/32	51.6 2.031	19 .748	M14 ½	F210D1 F210D1 F210D1 F210D1 F210D1	UC210D1 UC210-113D1 UC210-114D1 UC210-115D1 UC210-200D1	7,900	5,220
55 2 2 1/16 2 1/8 2 3/16	UCF211D1 UCF211-200D1 UCF211-201D1 UCF211-202D1 UCF211-203D1	162 6 3/8	130 5 1/8	18 23/32	43 1 11/16	19 ¾	58.4 2 19/64	55.6 2.189	22.2 .874	M16 5/8	F211D1 F211D1 F211D1 F211D1 F211D1	UC211D1 UC211-200D1 UC211-201D1 UC211-202D1 UC211-203D1	9,750	6,570

Continued on next page.

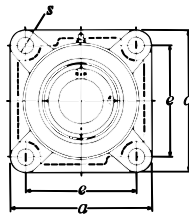
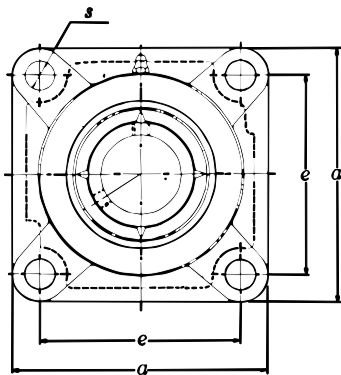
NTN
SERIES
UCF2
SET SCREW
TYPE

Units: Millimeters
 INCHES

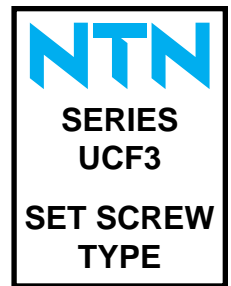


FLANGED UNITS - CAST HOUSING (FOUR BOLT)

Shaft Dia.	Complete Flanged Unit Number	Nominal Dimensions								Bolt Size	Housing Number	Bearing Number	Basic Load Ratings (lbs)	
		a	e	g	l	s	z	Bi	n				Dynamic C	Static C ₀
60 2 1/4 2 3/8 2 7/16	UCF212D1 UCF212-204D1 UCF212-206D1 *UCF212-207D1	175 6 7/8	143 5 5/8	18 23/32	48 1 7/8	19 3/4	68.7 2 45/64	65.1 2.563	25.4 1.000	M16 5/8	F212D1 F212D1 F212D1 F212D1	UC212D1 UC212-204D1 UC212-206D1 UC212-207D1	11,800	8,100
65 2 1/2	UCF213D1 UCF213-208D1	187 7 3/8	149 5 55/64	22 7/8	50 1 31/32	19 3/4	69.7 2 3/4	65.1 2.563	25.4 1.000	M16 5/8	F213D1 F213D1	UC213D1 UC213-208D1	12,900	9,000
70 2 11/16 2 3/4	UCF214D1 UCF214-211D1 UCF214-212D1	193 7 19/32	152 5 63/64	22 7/8	54 2 1/8	19 3/4	75.4 2 31/32	74.6 2.937	30.2 1.189	M16 5/8	F214D1 F214D1 F214D1	UC214D1 UC214-211D1 UC214-212D1	14,000	9,900
75 2 15/16 3	UCF215D1 UCF215-215D1 UCF215-300D1	200 7 7/8	159 6 17/64	22 7/8	56 2 7/32	19 3/4	78.5 3 3/32	77.8 3.063	33.3 1.311	M16 5/8	F215D1 F215D1 F215D1	UC215D1 UC215-215D1 UC215-300D1	14,900	11,100
80 3 1/8	UCF216D1 UCF216-302D1	208 8 3/16	165 6 1/2	22 7/8	58 2 9/32	23 29/32	83.3 3 9/32	82.6 3.252	33.3 1.311	M20 3/4	F216D1 F216D1	UC216D1 UC216-302D1	16,300	11,900
85 3 1/4	UCF217D1 UCF217-304D1	220 8 21/32	175 6 57/64	24 15/16	63 2 15/32	23 29/32	87.6 3 29/64	85.7 3.374	34.1 1.343	M20 3/4	F217D1 F217D1	UC217D1 UC217-304D1	18,700	14,400
90 3 1/2	UCF218D1 UCF218-308D1	235 9 1/4	187 7 23/64	24 15/16	68 2 11/16	23 29/32	96.3 3 51/64	96 3.780	39.7 1.563	M20 3/4	F218D1 F218D1	UC218D1 UC218-308D1	21,600	16,100



Units: Millimeters
INCHES



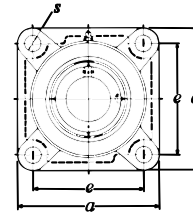
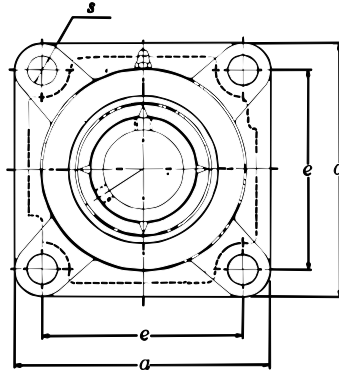
FLANGED UNITS - CAST HOUSING (FOUR BOLT)

Shaft Dia.	Complete Flanged Unit Number	Nominal Dimensions								Bolt Size	Housing Number	Bearing Number	Basic Load Ratings (lbs)	
		a	e	g	l	s	z	Bi	n				Dynamic C	Static Co
25 7/8 15/16 1	UCF305D1 UCF305-014D1 UCF305-015D1 UCF305-100D1	110 4 11/32	80 3 5/32	13 1/2	29 1 5/32	16 5/8	39 1 17/32	38 1.496	15 .591	M14 1/2	F305D1 F305D1 F305D1 F305D1	UC305D1 UC305-014D1 UC305-015D1 UC305-100D1	4,750	2,460
30 1 1/8 1 3/16	UCF306D1 UCF306-102D1 UCF306-103D1	125 4 29/32	95 3 47/64	15 19/32	32 1 1/4	16 5/8	44 1 47/64	43 1.693	17 .669	M14 1/2	F306D1 F306D1 F306D1	UC306D1 UC306-102D1 UC306-103D1	6,000	3,400
35 1 1/4 1 5/16 1 3/8 1 7/16	UCF307D1 UCF307-104D1 UCF307-105D1 UCF307-106D1 UCF307-107D1	135 5 5/16	100 3 15/16	16 5/8	36 1 13/32	19 3/4	49 1 59/64	48 1.890	19 .748	M16 5/8	F307D1 F307D1 F307D1 F307D1 F307D1	UC307D1 UC307-104D1 UC307-105D1 UC307-106D1 UC307-107D1	7,500	4,300
40 1 1/2	UCF308D1 UCF308-108D1	150 5 29/32	112 4 13/32	17 21/32	40 1 9/16	19 3/4	56 2 13/64	52 2.047	19 .748	M16 5/8	F308D1 F308D1	UC308D1 UC308-108D1	9,150	5,400
45 1 5/8 1 11/16 1 3/4	UCF309D1 UCF309-110D1 UCF309-111D1 UCF309-112D1	160 6 5/16	125 4 59/64	18 23/32	44 1 23/32	19 3/4	60 2 23/64	57 2.244	22 .866	M16 5/8	F309D1 F309D1 F309D1 F309D1	UC309D1 UC309-110D1 UC309-111D1 UC309-112D1	11,900	7,200
50 1 7/8 1 15/16	UCF310D1 UCF310-114D1 UCF310-115D1	175 6 7/8	132 5 13/64	19 3/4	48 1 7/8	23 29/32	67 2 41/64	61 2.402	22 .866	M20 3/4	F310D1 F310D1 F310D1	UC310D1 UC310-114D1 UC310-115D1	13,900	8,600
55 2 2 1/8 2 3/16	UCF311D1 UCF311-200D1 UCF311-202D1 UCF311-203D1	185 7 9/32	140 5 33/64	20 25/32	52 2 1/16	23 29/32	71 2 51/64	66 2.598	25 .984	M20 3/4	F311D1 F311D1 F311D1 F311D1	UC311D1 UC311-200D1 UC311-202D1 UC311-203D1	16,100	10,100
60 2 1/4 2 3/8 2 7/16	UCF312D1 UCF312-204D1 UCF312-206D1 UCF312-207D1	195 7 11/16	150 5 29/32	22 7/8	56 2 7/32	23 29/32	78 3 5/64	71 2.795	26 1.024	M20 3/4	F312D1 F312D1 F312D1 F312D1	UC312D1 UC312-204D1 UC312-206D1 UC312-207D1	18,400	11,700
65 2 1/2	UCF313D1 UCF313-208D1	208 8 3/16	166 6 17/32	22 7/8	58 2 9/32	23 29/32	78 3 5/64	75 2.953	30 1.181	M20 3/4	F313D1 F313D1	UC313D1 UC313-208D1	20,800	13,400
70 2 11/16 2 3/4	UCF314D1 UCF314-211D1 UCF314-212D1	226 8 29/32	178 7	25 31/32	61 2 13/32	25 63/64	81 3 3/16	78 3.071	33 1.299	M22 7/8	F314D1 F314D1 F314D1	UC314D1 UC314-211D1 UC314-212D1	23,400	15,300
75 2 15/16 3	UCF315D1 UCF315-215D1 UCF315-300D1	236 9 9/32	184 7 1/4	25 31/32	66 2 19/32	25 63/64	89 3 1/2	82 3.228	32 1.260	M22 7/8	F315D1 F315D1 F315D1	UC315D1 UC315-215D1 UC315-300D1	25,500	17,400
80 3 1/8 3 3/16	UCF316D1 UCF316-302D1 UCF316-303D1	250 9 27/32	196 7 23/32	27 1 1/16	68 2 11/16	31 1 7/32	90 3 35/64	86 3.386	34 1.339	M27 1	F316D1 F316D1 F316D1	UC316D1 UC316-302D1 UC316-303D1	27,600	19,500

Continued on next page.

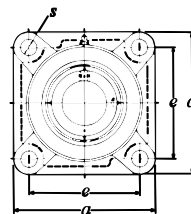
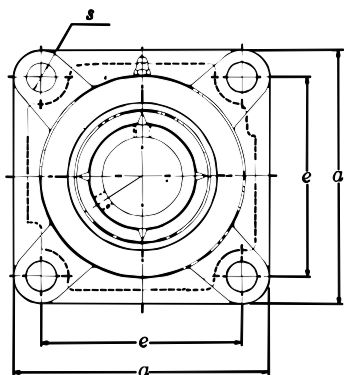


Units: Millimeters
INCHES



FLANGED UNITS - CAST HOUSING (FOUR BOLT)

Shaft Dia.	Complete Flanged Unit Number	Nominal Dimensions								Bolt Size	Housing Number	Bearing Number	Basic Load Ratings (lbs)	
		<i>a</i>	<i>e</i>	<i>g</i>	<i>l</i>	<i>s</i>	<i>z</i>	<i>Bi</i>	<i>n</i>				<i>C</i>	<i>C₀</i>
85 3 1/4	UCF317D1 UCF317-304D1	260 10 1/4	204 8 1/2	27 1 1/16	74 2 29/32	31 1 7/32	100 3 15/16	96 3.780	40 1.575	M27 1	F317D1 F317D1	UC317D1 UC317-304D1	29,800	21,800
90 3 7/16 3 1/2	UCF318D1 UCF318-307D1 UCF318-308D1	280 11 1/32	216 8 1/2	30 1 3/16	76 3	35 1 3/8	100 3 15/16	96 3.780	40 1.575	M30 1 1/8	F318D1 F318D1 F318D1	UC318D1 UC318-307D1 UC318-308D1	32,000	24,100
95 3 3/4	UCF319D1 UCF319-312D1	290 11 13/32	228 8 31/32	30 1 3/16	94 3 11/16	35 1 3/8	121 4 49/64	103 4.055	41 1.614	M30 1 1/8	F319D1 F319D1	UC319D1 UC319-312D1	34,500	26,600
100 3 15/16 4	UCF320D1 UCF320-315D1 UCF320-400D1	310 12 7/32	242 9 17/32	32 1 1/4	94 3 11/16	38 1 1/2	125 4 59/64	108 4.252	42 1.654	M33 1 1/4	F320D1 F320D1 F320D1	UC320D1 UC320-315D1 UC320-400D1	39,000	31,500
105	UCF321D1	310	242	32	94	38	127	112	44	M33	F321D1	UC321D1	41,500	34,500
110	UCF322D1	340	266	35	96	41	131	117	46	M36	F322D1	UC322D1	46,000	40,500
120	UCF324D1	370	290	40	110	41	140	126	51	M36	F324D1	UC324D1	46,500	41,500
130	UCF326D1	410	320	45	115	41	146	135	54	M36	F326D1	UC326D1	51,500	48,000
140	UCF328D1	450	350	55	125	41	161	145	59	M36	F328D1	UC328D1	57,000	55,500



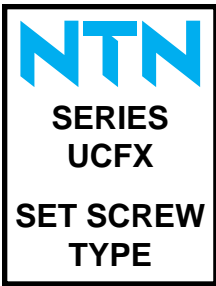
Units: Millimeters
INCHES



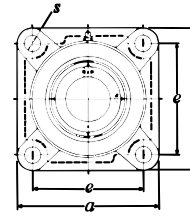
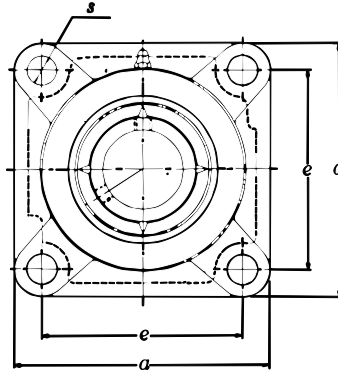
FLANGED UNITS - CAST HOUSING (FOUR BOLT)

Shaft Dia.	Complete Flanged Unit Number	Nominal Dimensions								Bolt Size	Housing Number	Bearing Number	Basic Load Ratings (lbs)	
		a	e	g	l	s	z	Bi	n				Dynamic C	Static C ₀
25 1 1/16 7/8 15/16 1	UCFX05D1 UCFX05-013D1 UCFX05-014D1 UCFX05-015D1 UCFX05-100D1	108 4 1/4	83 3 17/64	13 1/2	30 1 3/16	12 15/32	40.2 1 37/64	38.1 1.500	15.9 .626	M10 3/8	FX05D1 FX05D1 FX05D1 FX05D1	UCX05D1 UCX05-013D1 UCX05-014D1 UCX05-015D1 UCX05-100D1	4,390	2,540
30 1 1/16 1 1/8 1 3/16 1 1/4	UCFX06D1 UCFX06-101D1 UCFX06-102D1 UCFX06-103D1 UCFX06-104D1	117 4 19/32	92 3 5/8	14 9/16	34 1 11/32	16 5/8	44.4 1 3/4	42.9 1.689	17.5 .689	M14 1/2	FX06D1 FX06D1 FX06D1 FX06D1	UCX06D1 UCX06-101D1 UCX06-102D1 UCX06-103D1 UCX06-104D1	5,780	3,440
35 1 5/16 1 3/8 1 7/16	UCFX07D1 UCFX07-105D1 UCFX07-106D1 UCFX07-107D1	130 5 1/8	102 4 1/64	14 9/16	38 1 1/2	16 5/8	51.2 2 1/64	49.2 1.937	19 .748	M14 1/2	FX07D1 FX07D1 FX07D1	UCX07D1 UCX07-105D1 UCX07-106D1 UCX07-107D1	6,550	4,000
40 1 1/2 1 9/16	UCFX08D1 UCFX08-108D1 UCFX08-109D1	137 5 13/32	105 4 9/64	14 9/16	40 1 9/16	19 3/4	52.2 2 1/16	49.2 1.937	19 .748	M16 5/8	FX08D1 FX08D1 FX08D1	UCX08D1 UCX08-108D1 UCX08-109D1	7,310	4,590
45 1 5/8 1 11/16 1 3/4 1 13/16	UCFX09D1 UCFX09-110D1 UCFX09-111D1 UCFX09-112D1 UCFX09-113D1	143 5 5/8	111 4 3/8	14 9/16	40 1 9/16	19 3/4	55.6 2 3/16	51.6 2.031	19 .748	M16 5/8	FX09D1 FX09D1 FX09D1 FX09D1	UCX09D1 UCX09-110D1 UCX09-111D1 UCX09-112D1 UCX09-113D1	7,870	5,220
50 1 7/8 1 15/16 2	UCFX10D1 UCFX10-114D1 UCFX10-115D1 UCFX10-200D1	162 6 3/8	130 5 1/8	20 25/32	44 1 23/32	19 3/4	59.4 2 11/32	55.6 2.189	22.2 .874	M16 5/8	FX10D1 FX10D1 FX10D1	UCX10D1 UCX10-114D1 UCX10-115D1 UCX10-200D1	9,780	6,570
55 2 1/16 2 1/8 2 3/16 2 1/4 2 5/16	UCFX11D1 UCFX11-201D1 UCFX11-202D1 UCFX11-203D1 UCFX11-204D1 UCFX11-205D1	175 6 7/8	143 5 5/8	20 25/32	49 1 15/16	19 3/4	68.7 2 45/64	65.1 2.563	25.4 1.000	M16 5/8	FX11D1 FX11D1 FX11D1 FX11D1 FX11D1	UCX11D1 UCX11-201D1 UCX11-202D1 UCX11-203D1 UCX11-204D1 UCX11-205D1	11,810	8,100
60 2 3/8 2 7/16	UCFX12D1 UCFX12-206D1 UCFX12-207D1	187 7 3/8	149 5 55/64	21 13/16	59 2 5/16	19 3/4	73.7 2 29/32	65.1 2.563	25.4 1.000	M16 5/8	FX12D1 FX12D1 FX12D1	UCX12D1 UCX12-206D1 UCX12-207D1	12,930	9,000
65 2 1/2 2 9/16	UCFX13D1 UCFX13-208D1 UCFX13-209D1	187 7 3/8	149 5 55/64	21 13/16	59 2 5/16	19 3/4	78.4 3 3/32	74.6 2.937	30.2 1.189	M16 5/8	FX13D1 FX13D1 FX13D1	UCX13D1 UCX13-208D1 UCX13-209D1	13,940	9,900
70 2 5/8 2 11/16 2 3/4	UCFX14D1 UCFX14-210D1 UCFX14-211D1 UCFX14-212D1	197 7 3/4	152 5 63/64	24 15/16	60 2 3/8	23 29/32	81.5 3 13/64	77.8 3.063	33.3 1.311	M20 3/4	FX14D1 FX14D1 FX14D1	UCX14D1 UCX14-210D1 UCX14-211D1 UCX14-212D1	14,840	11,130

Continued on next page.



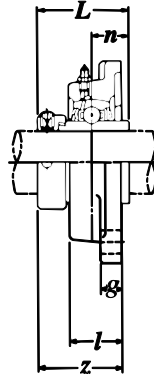
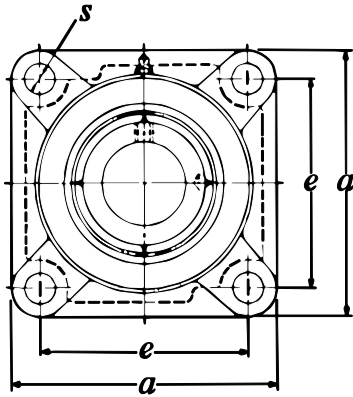
Units: Millimeters
INCHES



FLANGED UNITS - CAST HOUSING (FOUR BOLT)

Shaft Dia.	Complete Flanged Unit Number	Nominal Dimensions								Bolt Size	Housing Number	Bearing Number	Basic Load Ratings (lbs)	
		<i>a</i>	<i>e</i>	<i>g</i>	<i>l</i>	<i>s</i>	<i>z</i>	<i>Bi</i>	<i>n</i>				Dynamic <i>C</i>	Static <i>C₀</i>
75 2 13/16 2 7/8 2 15/16 3	UCFX15D1 UCFX15-213D1 UCFX15-214D1 UCFX15-215D1 UCFX15-300D1	197 7 3/4	152 5 63/64	24 1 5/16	68 2 11/16	23 29/32	89.3 3 33/64	82.6 3.252	33.3 1.311	M20 3/4	FX15D1 FX15D1 FX15D1 FX15D1	UCX15D1 UCX15-213D1 UCX15-214D1 UCX15-215D1 UCX15-300D1	16,310	11,920
80 3 1/8 3 3/16 3 1/4	UCFX16D1 UCFX16-302D1 UCFX16-303D1 UCFX16-304D1	214 8 7/16	171 6 47/64	24 1 5/16	70 2 3/4	23 29/32	91.6 3 39/64	85.7 3.374	34.1 1.343	M20 3/4	FX16D1 FX16D1 FX16D1 FX16D1	UCX16D1 UCX16-302D1 UCX16-303D1 UCX16-304D1	18,780	14,390
85 3 5/16 3 7/16	UCFX17D1 UCFX17-305D1 UCFX17-307D1	214 8 7/16	171 6 47/64	24 1 5/16	70 2 3/4	23 29/32	96.3 3 51/64	96 3.780	39.7 1.563	M20 M20	FX17D1 FX17D1 FX17D1	UCX17D1 UCX17-305D1 UCX17-307D1	21,590	16,080
90 3 1/2	UCFX18D1 UCFX18-308D1	214 8 7/16	171 6 47/64	24 1 5/16	76 3	23 29/32	106.1 4 11/64	104 4.094	42.9 1.689	M20 3/4	FX18D1 FX18D1	UCX18D1 UCX18-308D1	24,520	18,440
100 3 7/8 3 15/16 4	UCFX20D1 UCFX20-314D1 UCFX20-315D1 UCFX20-400D1	268 10 9/16	211 8 5/16	31 1 7/32	97 3 13/16	31 1 7/32	127.3 5 1/64	117.5 4.626	49.2 1.937	M27 1	FX20D1 FX20D1 FX20D1 FX20D1	UCX20D1 UCX20-314D1 UCX20-315D1 UCX20-400D1	29,910	23,620

Units: Millimeters
INCHES

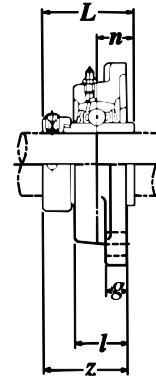
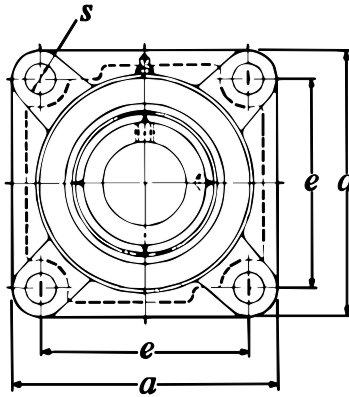


FLANGED UNITS - CAST HOUSING (FOUR BOLT)

Shaft Dia.	Complete Flanged Unit Number	Nominal Dimensions									Bolt Size	Housing Number	Bearing Number	Basic Load Ratings (lbs)	
		a	e	g	l	s	z	L	Di	n				Dynamic C	Static C ₀
20 3/4	UEL204D1 UEL204-012D1	86 3 3/8	64 2 33/64	11 7/16	25.5 1	12 15/32	41.6 1 41/64	43.7 1.720	33 1.299	17.1 .673	M10 5/16	F204D1 F204D1	UEL204D1 UEL204-012D1	2,890	1,500
25 1 3/16 7/8 1 1/8 1 1/4	UEL205D1 UEL205-013D1 UEL205-014D1 UEL205-015D1 UEL205-100D1	95 3 3/4	70 2 3/4	13 1/2	27 1 1/16	12 15/32	42.9 1 11/16	44.4 1.748	38 1.496	17.5 .689	M10 3/8	F205D1 F205D1 F205D1 F205D1 F205D1	UEL205D1 UEL205-013D1 UEL205-014D1 UEL205-015D1 UEL205-100D1	3,150	1,770
30 1 1/16 1 1/8 1 3/16 1 1/4	UEL206D1 UEL206-101D1 UEL206-102D1 UEL206-103D1 UEL206-104D1	108 4 1/4	83 3 17/64	13 1/2	31 1 7/32	12 15/32	48.1 1 57/64	48.4 1.906	44.5 1.752	18.3 .720	M10 3/8	F206D1 F206D1 F206D1 F206D1 F206D1	UEL206D1 UEL206-101D1 UEL206-102D1 UEL206-103D1 UEL206-104D1	4,400	2,540
35 1 1/4 1 5/16 1 3/8 1 7/16	UEL207D1 UEL207-104D1 UEL207-105D1 UEL207-106D1 UEL207-107D1	117 4 13/32	92 3 5/8	15 19/32	34 1 11/32	14 35/64	51.3 2 1/64	51.1 2.012	55.5 2.185	18.8 .740	M12 7/16	F207D1 F207D1 F207D1 F207D1 F207D1	UEL207D1 UEL207-104D1 UEL207-105D1 UEL207-106D1 UEL207-107D1	5,750	3,440
40 1 1/2 1 9/16	UEL208D1 UEL208-108D1 UEL208-109D1	130 5 1/8	102 4 1/64	15 19/32	36 1 13/32	16 5/8	55.9 2 1/64	56.3 2.217	60 2.362	21.4 .843	M14 1/2	F207D1 F208D1 F208D1	UEL208D1 UEL208-108D1 UEL208-109D1	6,550	4,000
45 1 5/8 1 11/16 1 3/4	UEL209D1 UEL209-110D1 UEL209-111D1 UEL209-112D1	137 5 13/32	105 4 9/64	16 5/8	38 1 1/2	16 5/8	56.9 2 1/64	56.3 2.217	63.5 2.500	21.4 .843	M14 1/2	F209D1 F209D1 F209D1 F209D1	UEL209D1 UEL209-110D1 UEL209-111D1 UEL209-112D1	7,350	4,590
50 1 13/16 1 7/8 1 15/16 2	UEL210D1 UEL210-113D1 UEL210-114D1 UEL210-115D1 UEL210-200D1	143 5 5/8	111 4 3/8	16 5/8	40 1 9/16	16 5/8	60.1 2 23/64	62.7 2.469	69.5 2.736	24.6 .969	M14 1/2	F210D1 F210D1 F210D1 F210D1 F210D1	UEL210D1 UEL210-113D1 UEL210-114D1 UEL210-115D1 UEL210-200D1	7,900	5,220
55 2 2 1/16 2 1/8 2 3/16	UEL211D1 UEL211-200D1 UEL211-201D1 UEL211-202D1 UEL211-203D1	162 6 3/8	130 5 1/8	18 23/32	43 1 11/16	19 3/4	68.6 2 45/64	71.4 2.811	76 2.992	27.8 1.094	M16 9/16	F211D1 F211D1 F211D1 F211D1 F211D1	UEL211D1 UEL211-200D1 UEL211-201D1 UEL211-202D1 UEL211-203D1	9,750	6,570
60 2 1/4 2 3/8 2 7/16	UEL212D1 UEL212-204D1 UEL212-206D1 UEL212-207D1	175 6 7/8	143 5 5/8	18 23/32	48 1 7/8	19 3/4	75.8 2 63/64	77.8 3.063	84 3.307	31 1.220	M16 9/16	F212D1 F212D1 F212D1 F212D1	UEL212D1 UEL212-204D1 UEL212-206D1 UEL212-207D1	11,800	8,100
65 2 1/2	UEL213D1 UEL213-208D1	187 7 3/8	149 5 55/64	22 7/8	50 1 31/32	19 3/4	81.55 3 13/64	85.7 3.374	97 3.819	34.15 1.344	M16 9/16	F213D1 F213D1	UEL213D1 UEL213-208D1	12,900	9,000
70 2 11/16 2 3/4	UEL214D1 UEL214-211D1 UEL214-212D1	193 7 19/32	152 5 63/64	22 7/8	54 2 1/8	19 3/4	82.55 3 1/4	85.7 3.374	97 3.819	34.15 1.344	M16 9/16	F214D1 F214D1 F214D1	UEL214D1 UEL214-211D1 UEL214-212D1	14,000	9,900
75 2 15/16 3	UEL215D1 UEL215-215D1 UEL215-300D1	200 7 7/8	159 6 17/64	22 7/8	56 2 7/32	19 3/4	88.7 3 31/64	92 3.622	102 4.016	37.3 1.469	M16 9/16	F215D1 F215D1 F215D1	UEL215D1 UEL215-215D1 UEL215-300D1	14,900	11,130

NTN
SERIES
UELF3
ECCENTRIC
LOCKING
COLLAR
TYPE

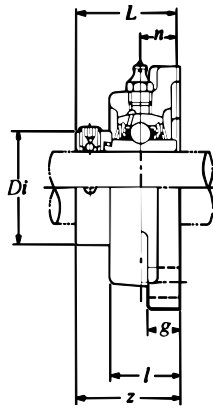
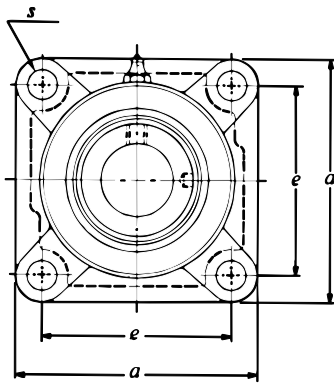
Units: Millimeters
 INCHES



FLANGED UNITS - CAST HOUSING (FOUR BOLT)

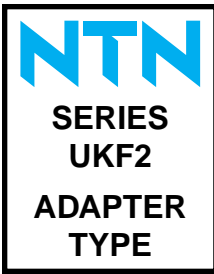
Shaft Dia.	Complete Flanged Unit Number	Nominal Dimensions									Bolt Size	Housing Number	Bearing Number	Basic Load Ratings (lbs)	
		a	e	g	l	s	z	L	Di	n				Dynamic C	Static C ₀
25 7/8 1 1/16 1	UELF305D1 UELF305-014D1 UELF305-015D1 UELF305-100D1	110 4 11/32	80 3 5/32	13 1/2	29 1 5/32	16 5/8	46.1 1 13/16	46.8 1.843	42.8 1.685	16.7 .657	M14 1/2	F305D1 F305D1 F305D1 F305D1	UEL305D1 UEL305-014D1 UEL305-015D1 UEL305-100D1	4,750	2,460
30 1 1/8 1 3/16	UELF306D1 UELF306-102D1 UELF306-103D1	125 4 29/32	95 3 47/64	15 19/32	32 1 1/4	16 5/8	50.5 1 63/64	50 1.969	50 1.969	17.5 .689	M14 1/2	F306D1 F306D1 F306D1	UEL306D1 UEL306-102D1 UEL306-103D1	6,000	3,400
35 1 1/4 1 5/16 1 3/8 1 7/16	UELF307D1 UELF307-104D1 UELF307-105D1 UELF307-106D1 UELF307-107D1	135 5 5/16	100 3 15/16	16 5/8	36 1 13/32	19 3/4	53.3 2 3/32	51.6 2.031	55 2.165	18.3 .720	M16 5/8	F307D1 F307D1 F307D1 F307D1 F307D1	UEL307D1 UEL307-104D1 UEL307-105D1 UEL307-106D1 UEL307-107D1	7,500	4,300
40 1 1/2	UELF308D1 UELF308-108D1	150 5 29/32	112 4 13/32	17 2 1/32	40 1 9/16	19 3/4	60.3 2 3/8	57.1 2.248	63.5 2.500	19.8 .780	M16 5/8	F308D1 F308D1	UEL308D1 UEL308-108D1	9,150	5,400
45 1 5/8 1 11/16 1 3/4	UELF309D1 UELF309-110D1 UELF309-111D1 UELF309-112D1	160 6 5/16	125 4 59/64	18 23/32	44 1 23/32	19 3/4	63.9 2 39/64	58.7 2.311	70 2.756	19.8 .780	M16 5/8	F309D1 F309D1 F309D1 F309D1	UEL309D1 UEL309-110D1 UEL309-111D1 UEL309-112D1	11,900	7,200
50 1 7/8 1 15/16	UELF310D1 UELF310-114D1 UELF310-115D1	175 6 7/8	132 5 13/64	19 3/4	48 1 7/8	23 29/32	70 2 3/4	66.6 2.622	76.2 3.000	24.6 .969	M20 3/4	F310D1 F310D1 F310D1	UEL310D1 UEL310-114D1 UEL310-115D1	13,900	8,600
55 2 2 1/8 2 3/16	UELF311D1 UELF311-200D1 UELF311-202D1 UELF311-203D1	185 7 9/32	140 5 33/64	20 25/32	52 2 1/16	23 29/32	75.2 2 61/64	73 2.874	83 3.268	27.8 1.094	M20 3/4	F311D1 F311D1 F311D1 F311D1	UEL311D1 UEL311-200D1 UEL311-202D1 UEL311-203D1	16,100	10,100
60 2 1/4 2 3/8 2 7/16	UELF312D1 UELF312-204D1 UELF312-206D1 UELF312-207D1	195 7 11/16	150 5 29/32	22 7/8	56 2 7/32	23 29/32	81.45 3 13/64	79.4 3.126	89 3.504	30.95 1.219	M20 3/4	F312D1 F312D1 F312D1 F312D1	UEL312D1 UEL312-204D1 UEL312-206D1 UEL312-207D1	18,400	11,700
65 2 1/2	UELF313D1 UELF313-208D1	208 8 3/16	166 6 17/32	22 7/8	58 2 9/32	23 29/32	86.15 3 25/64	85.7 3.374	97 3.819	32.55 1.281	M20 3/4	F313D1 F313D1	UEL313D1 UEL313-208D1	20,800	13,400
70 2 11/16 2 3/4	UELF314D1 UELF314-211D1 UELF314-212D1	226 8 29/32	178 7	25 3 1/32	61 2 19/32	25 63/64	93.95 3 45/64	92.1 3.626	102 4.016	34.15 1.344	M22 7/8	F314D1 F314D1 F314D1	UEL314D1 UEL314-211D1 UEL314-212D1	23,400	15,300
75 2 15/16 3	UELF315D1 UELF315-215D1 UELF315-300D1	236 9 9/32	184 7 1/4	25 3 1/32	66 2 19/32	25 63/64	101.7 4	100 3.937	113 4.449	37.3 1.469	M22 7/8	F315D1 F315D1 F315D1	UEL315D1 UEL315-215D1 UEL315-300D1	25,500	17,400
80 3 1/8 3 3/16	UELF316D1 UELF316-302D1 UELF316-303D1	250 9 27/32	196 7 23/32	27 1 1/16	68 2 11/16	31 1 7/32	103.9 4 3/32	106.4 4.189	119 4.685	40.5 1.594	M27 1	F316D1 F316D1 F316D1	UEL316D1 UEL316-302D1 UEL316-303D1	27,600	19,500
85 3 1/4	UELF317D1 UELF317-304D1	260 10 1/4	204 8 1/32	27 1 1/16	74 2 29/32	31 1 7/32	111.45 4 29/64	109.5 4.311	127 5.000	42.05 1.656	M27 1	F317D1 F317D1	UEL317D1 UEL317-304D1	29,800	21,800
90 3 7/16 3 1/2	UELF318D1 UELF318-307D1 UELF318-308D1	280 11 1/32	216 8 1/2	30 1 3/16	76 3	35 1 3/8	116.25 4 37/64	115.9 4.563	133 5.236	43.65 1.719	M30 1 1/8	F318D1 F318D1 F318D1	UEL318D1 UEL318-307D1 UEL318-308D1	32,000	24,100
95 3 3/4	UELF319D1 UELF319-312D1	290 11 13/32	228 8 31/32	30 1 3/16	94 3 11/16	35 1 3/8	142.4 5 39/64	122.3 4.815	140 5.512	38.9 1.531	M30 1 1/8	F319D1 F319D1	UEL319D1 UEL319-312D1	34,500	26,600
100 3 15/16 4	UELF320D1 UELF320-315D1 UELF320-400D1	310 12 7/32	242 9 17/32	32 1 1/4	94 3 11/16	38 1 1/2	137.6 5 27/64	128.6 5.063	146 5.748	50 1.969	M33 1 1/4	F320D1 F320D1 F320D1	UEL320D1 UEL320-315D1 UEL320-400D1	39,000	31,500
105	UELF321D1	310	242	32	94	38	150.3	139.7	157	48.4	M33	F321D1	UEL321D1	41,500	34,500
110	UELF322D1	340	266	35	96	41	152.1	141.3	168	49.2	M36	F322D1	UEL322D1	46,000	40,500

Units: Millimeters
INCHES

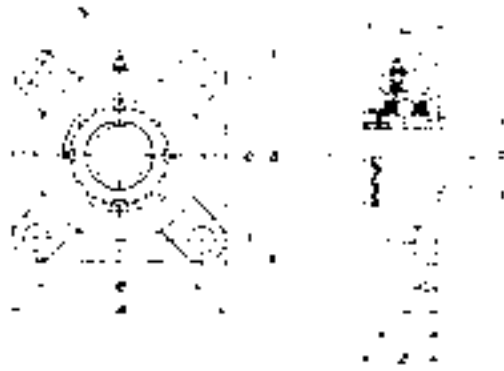


FLANGED UNITS - CAST HOUSING (FOUR BOLT)

Shaft Dia.	Complete Flanged Unit Number	Nominal Dimensions										Bolt Size	Housing Number	Bearing Number	Basic Load Ratings (lbs)	
		a	e	g	l	s	z	L	Di	n	Dynamic C				Static Co	
20 3/4	UELFU204D1 UELFU204-012D1	86 3 3/8	63.5 2 1/2	15 1 1/2	29.5 1 1/8	11.5 25/64	45.6 1 5/8	43.7 1.720	33.3 1.31	17.1 .673	M10 5/16	FU204D1 FU204D1	UEL204D1 UEL204-012D1	2,890	1,500	
25 1 1/16 7/8 1 1/8 1	UELFU205D1 UELFU205-013D1 UELFU205-014D1 UELFU205-015D1 UELFU205-100D1	96 3 25/32	70 2 3/4	15 1 1/2	30 1 1/8	11.5 29/64	45.9 1 13/16	44.4 1.748	38.1 1.50	17.5 .689	M10 3/8	FU205D1 FU205D1 FU205D1 FU205D1	UEL205D1 UEL205-013D1 UEL205-014D1 UEL205-015D1 UEL205-100D1	3,150	1,770	
30 1 1/8 1 1/8 1 3/16 1 1/4	UELFU206D1 UELFU206-101D1 UELFU206-102D1 UELFU206-103D1 UELFU206-104D1	109 4 3/32	82.5 3 1/4	16 5/8	33 1 1/8	11.5 29/64	50.1 1 31/32	48.4 1.906	44.5 1.75	18.3 .720	M10 3/8	FU206D1 FU206D1 FU206D1 FU206D1	UEL206D1 UEL206-101D1 UEL206-102D1 UEL206-103D1 UEL206-104D1	4,400	2,540	
35 1 1/4 1 5/16 1 3/8 1 7/16	UELFU207D1 UELFU207-104D1 UELFU207-105D1 UELFU207-106D1 UELFU207-107D1	118 4 21/32	92 3 5/8	17 2 1/32	36 1 13/32	14 35/64	53.3 2 3/32	51.1 2.012	55.6 2.19	18.8 .740	M12 7/16	FU207D1 FU207D1 FU207D1 FU207D1	UEL207D1 UEL207-104D1 UEL207-105D1 UEL207-106D1 UEL207-107D1	5,750	3,440	
40 1 1/2 1 9/16	UELFU208D1 UELFU208-108D1 UELFU208-109D1	131 5 5/32	101.5 4	17 2 1/32	39 1 17/32	14 35/64	58.9 2 5/16	56.3 2.217	60.2 2.37	21.4 .843	M12 7/16	FU207D1 FU208D1 FU208D1	UEL208D1 UEL208-108D1 UEL208-109D1	6,550	4,000	
45 1 5/8 1 11/16 1 3/4	UELFU209D1 UELFU209-110D1 UELFU209-111D1 UELFU209-112D1	137 5 13/32	105 4 9/64	18 23/32	40 1 9/16	16 5/8	58.9 2 5/16	56.3 2.217	63.5 2.50	21.4 .843	M14 1/2	FU209D1 FU209D1 FU209D1	UEL209D1 UEL209-110D1 UEL209-111D1 UEL209-112D1	7,350	4,590	
50 1 13/16 1 7/8 1 15/16 2	UELFU210D1 UELFU210-113D1 UELFU210-114D1 UELFU210-115D1 UELFU210-200D1	144 5 21/32	111 4 3/8	20 25/32	46 1 13/16	18 45/64	66.1 2 39/64	62.7 2.469	69.9 2.75	24.6 .969	M16 1/2	FU210D1 FU210D1 FU210D1 FU210D1	UEL210D1 UEL210-113D1 UEL210-114D1 UEL210-115D1 UEL210-200D1	7,900	5,220	
55 2 2 1/16 2 1/8 2 3/16	UELFU211D1 UELFU211-200D1 UELFU211-201D1 UELFU211-202D1 UELFU211-203D1	163 6 13/32	130 5 1/8	21 1 1/4	49 1 15/16	18 45/64	74.6 2 15/16	71.4 2.811	76.2 3.00	27.8 1.094	M16 9/16	FU211D1 FU211D1 FU211D1 FU211D1	UEL211D1 UEL211-200D1 UEL211-201D1 UEL211-202D1 UEL211-203D1	9,750	6,570	
60 2 1/4 2 3/8 2 7/16	UELFU212D1 UELFU212-204D1 UELFU212-206D1 UELFU212-207D1	175 6 7/8	143 5 5/8	21 1 1/4	53 2 3/32	18 45/64	80.8 3 3/16	77.8 3.063	84.1 3.31	31 1.220	M16 9/16	FU212D1 FU212D1 FU212D1	UEL212D1 UEL212-204D1 UEL212-206D1 UEL212-207D1	11,800	8,100	
65 2 1/2	UELFU213D1 UELFU213-208D1	187 7 3/8	149 5 59/64	22 7/8	59 2 3/16	20.5 13/16	89.55 3 17/32	85.7 3.374	97.0 3.82	34.15 1.344	M18 5/8	FU213D1 FU213D1	UEL213D1 UEL213-208D1	12,900	9,000	
70 2 11/16 2 3/4	UELFU214D1 UELFU214-211D1 UELFU214-212D1	193 7 19/32	152 5 63/64	22 7/8	62 2 7/16	20.5 13/16	89.55 3 17/32	85.7 3.374	97.0 3.82	34.15 1.344	M18 5/8	FU214D1 FU214D1	UEL214D1 UEL214-211D1 UEL214-212D1	14,000	9,900	
75 2 15/16 3	UELFU215D1 UELFU215-215D1 UELFU215-300D1	200 7 7/8	159 6 17/64	22 7/8	65 2 9/16	20.5 13/16	95.7 3 49/64	92 3.622	102 4.02	37.3 1.469	M18 5/8	FU215D1 FU215D1	UEL215D1 UEL215-215D1 UEL215-300D1	14,900	11,130	



Units: Millimeters
INCHES



FLANGED UNITS - CAST HOUSING (4 BOLT)

Shaft Dia.	Unit Number 1) 2) 3)	Nominal Dimensions									Bolt Size mm inch	Housing Number	Bearing and Adapter Number	Basic Load Ratings (lbs)	
		<i>a</i>	<i>e</i>	<i>i</i>	<i>g</i>	<i>l</i>	<i>s</i>	<i>z</i>	<i>L</i>	<i>F min</i>				<i>Dynamic C</i>	<i>Static C₀</i>
20 3/4	UKF205D1 ; H 2305X UKF205D1 ; HE2305	95 3 3/4	70 2 3/4	16 5/8	13 1/2	27 1 1/16	12 15/32	35.5 1 25/64	35 1.378	30 1 3/16	M10 3/8	F205D1	UK205D1 ; H 2305X UK205D1 ; HE2305	3,150	1,770
25 7/8 1	UKF206D1 ; H 2306X UKF206D1 ; HS2306 UKF206D1 ; HE2306X	108 4 1/4	83 3 9/32	18 45/64	13 1/2	31 1 7/32	12 15/32	39 1 17/32	38 1.496	36 1.406	M10 3/8	F206D1	UK206D1 ; H 2306X UK206D1 ; HS2306 UK206D1 ; HE2306X	4,400	2,540
30 1 1/8	UKF207D1 ; H 2307X UKF207D1 ; HS2307	117 4 19/32	92 3 5/8	19 3/4	15 19/32	34 1 11/32	14 35/34	42.5 1 43/64	43 1.693	40 1 9/16	M12 1/2	F207D1	UK207D1 ; H 2307X UK207D1 ; HS2307	5,750	3,440
35 1 1/4 1 3/8	UKF208D1 ; HE2308X UKF208D1 ; H 2308X UKF208D1 ; HS2308X	130 5 1/8	102 4 1/32	21 53/64	15 19/32	36 1 13/32	16 5/8	46.5 1 53/64	46 1.811	46 1 13/16	M14 1/2	F208D1	UK208D1 ; H 2308X UK208D1 ; HE2308X UK208D1 ; HS2308X	6,550	4,000
40 1 7/16 1 1/2 1 5/8	UKF209D1 ; H 2309X UKF209D1 ; HA2309 UKF209D1 ; HE2309X UKF209D1 ; HS2309X	137 5 13/32	105 4 1/8	22 55/64	16 5/8	38 1 1/2	16 5/8	48.5 1 29/32	50 1.969	52 2 1/16	M14 1/2	F209D1	UK209D1 ; H 2309X UK209D1 ; HA2309 UK209D1 ; HE2309X UK209D1 ; HS2309X	7,350	4,600
45 1 9/8 1 11/16 1 3/4	UKF210D1 ; H 2310X UKF210D1 ; HS2310 UKF210D1 ; HA2310 UKF210D1 ; HE2310X	143 5 5/8	111 4 3/8	22 55/64	16 5/8	40 1 9/16	16 5/8	50 1 31/32	55 2.165	57 2 1/4	M14 1/2	F210D1	UK210D1 ; H 2310X UK210D1 ; HS2310 UK210D1 ; HA2310 UK210D1 ; HE2310X	7,900	5,200
50 1 7/8 1 15/16 2	UKF211D1 ; H 2311X UKF211D1 ; HS2311 UKF211D1 ; HA2311 UKF211D1 ; HE2311XY	162 6 3/8	130 5 1/8	25 63/64	18 23/32	43 1 11/16	19 3/4	54.5 2 9/64	59 2.323	64 2 17/32	M16 5/8	F211D1	UK211D1 ; H 2311X UK211D1 ; HS2311 UK211D1 ; HA2311 UK211D1 ; HE2311XY	9,750	6,550
55 2 1/8	UKF212D1 ; H 2312X UKF212D1 ; HS2312	175 6 7/8	143 5 5/8	29 1 9/64	18 23/32	48 1 7/8	19 3/4	61 2 13/32	62 2.441	69 2 23/32	M16 5/8	F212D1	UK212D1 ; H 2312X UK212D1 ; HS2312	11,800	8,150
60 2 3/16 2 1/4 2 3/8	UKF213D1 ; H 2313X UKF213D1 ; HA2313 UKF213D1 ; HE2313 UKF213D1 ; HS2313	187 7 3/8	149 5 7/8	30 1 3/16	22 7/8	50 1 7/32	19 3/4	64 2 33/64	65 2.559	74 2 29/32	M16 5/8	F213D1	UK213D1 ; H 2313X UK213D1 ; HA2313 UK213D1 ; HE2313 UK213D1 ; HS2313	12,900	9,000
65 2 7/16 2 1/2	UKF215D1 ; H 2315X UKF215D1 ; HA2315 UKF215D1 ; HE2315	200 7 7/8	159 6 1/4	34 1 11/32	22 7/8	56 2 7/32	19 3/4	71 2 51/64	73 2.874	84 3 5/16	M16 5/8	F215D1	UK215D1 ; H 2315X UK215D1 ; HA2315 UK215D1 ; HE2315	14,900	11,100
70 2 11/16 2 3/4	UKF216D1 ; H 2316X UKF216D1 ; HA2316 UKF216D1 ; HE2316	208 8 3/16	165 6 1/2	34 1 11/32	22 7/8	58 2 9/32	23 29/32	73.5 2 57/64	78 3.071	90 3 17/32	M20 3/4	F216D1	UK216D1 ; H 2316X UK216D1 ; HA2316 UK216D1 ; HE2316	16,300	11,900
75 2 15/16 3	UKF217D1 ; H 2317X UKF217D1 ; HA2317 UKF217D1 ; HE2317	220 8 21/32	175 6 7/8	36 1 27/64	24 15/16	63 2 15/32	23 29/32	77 3 1/32	82 3.228	95 3 3/4	M20 3/4	F217D1	UK217D1 ; H 2317X UK217D1 ; HA2317 UK217D1 ; HE2317	18,700	14,300
80 3 3/16	UKF218D1 ; H 2318X UKF218D1 ; HA2318	235 9 1/4	187 7 3/8	40 1 37/64	24 15/16	68 2 11/16	23 29/32	81.5 3 13/64	86 3.386	102 4 1/32	M20 3/4	F218D1	UK218D1 ; H 2318X UK218D1 ; HA2318	21,600	16,100

- 1) These numbers indicate re-lubricatable type. If maintenance free type is needed, please order without suffix "D1".
- 2) Adapter number with suffix "X" means a narrow slot type adapter sleeve. In this case the lock washer with the straight inner prong should be used.
- 3) For HE2311XY, screw thread pitch different from the standard is applied, because of the thin thread section of sleeve. To distinguish it, a suffix "Y" is added.

Note: Please refer to NTN Engineering for grease fitting details.



Bearing Series

UCFL2 SERIES

UCFL201D1..... 1.3

Complete Flanged Unit Number

Weight (lbs)

FLANGED UNITS		LBS.
UCFL2 SERIES		
UCFL201D1.....	1.3	
UCFL201-008D1.....	1.3	
UCFL202D1.....	1.3	
UCFL202-009D1.....	1.3	
UCFL202-010D1.....	1.3	
UCFL203D1.....	1.1	
UCFL203-011D1.....	1.1	
UCFL204D1.....	1.1	
UCFL204-012D1.....	1.1	
UCFL205D1.....	1.3	
UCFL205-013D1.....	1.3	
UCFL205-014D1.....	1.3	
UCFL205-015D1.....	1.3	
UCFL205-100D1.....	1.3	
UCFL206D1.....	2.00	
UCFL206-101D1.....	2.00	
UCFL206-102D1.....	2.00	
UCFL206-103D1.....	2.00	
UCFL206-104D1.....	2.00	
UCFL207D1.....	2.6	
UCFL207-104D1.....	2.6	
UCFL207-105D1.....	2.6	
UCFL207-106D1.....	2.6	
UCFL207-107D1.....	2.6	
UCFL208D1.....	3.5	
UCFL208-108D1.....	3.5	
UCFL208-109D1.....	3.5	
UCFL209D1.....	4.2	
UCFL209-110D1.....	4.2	
UCFL209-111D1.....	4.2	
UCFL209-112D1.....	4.2	
UCFL210D1.....	4.9	
UCFL210-113D1.....	4.9	
UCFL210-114D1.....	4.9	
UCFL210-115D1.....	4.9	
UCFL210-200D1.....	4.9	
UCFL211D1.....	6.8	
UCFL211-200D1.....	6.8	
UCFL211-201D1.....	6.8	
UCFL211-202D1.....	6.8	
UCFL211-203D1.....	6.8	
UCFL212D1.....	8.8	
UCFL212-204D1.....	8.8	
UCFL212-206D1.....	8.8	
UCFL212-207D1.....	8.8	
UCFL213D1.....	11	
UCFL213-208D1.....	11	
UCFL214D1.....	12	
UCFL214-211D1.....	12	
UCFL214-212D1.....	12	
UCFL215D1.....	14	
UCFL215-215D1.....	14	
UCFL215-300D1.....	14	
UCFL215D1.....	14	
UCFL216-302D1.....	18	
UCFL217D1.....	21	
UCFL217-304D1.....	21	
UCFL218D1.....	24	
UCFL218-308D1.....	24	
UCFL3 SERIES		
UCFL305D1.....	3.3	
UCFL305-014D1.....	3.3	
UCFL305-015D1.....	3.3	
UCFL305-100D1.....	3.3	
UCFL306D1.....	4.2	
UCFL306-102D1.....	4.2	
UCFL306-103D1.....	4.2	
UCFL307D1.....	5.1	
UCFL307-104D1.....	5.1	
UCFL307-105D1.....	5.1	
UCFL307-106D1.....	5.1	
UCFL307-107D1.....	5.1	
UCFL308D1.....	7.3	
UCFL308-108D1.....	7.3	
UCFL309D1.....	9.3	
UCFL309-110D1.....	9.3	
UCFL309-111D1.....	9.3	
UCFL309-112D1.....	9.3	
UCFL310D1.....	12.0	
UCFL310-114D1.....	12.0	
UCFL310-115D1.....	12.0	
UCFL311D1.....	14.0	
UCFL311-200D1.....	14.0	
UCFL311-202D1.....	14.0	
UCFL311-203D1.....	12.0	
UCFL312-204D1.....	17.0	
UCFL312-206D1.....	17.0	
UCFL312-207D1.....	17.0	
UCFL313D1.....	22.0	
UCFL313-208D1.....	22.0	
UCFL314D1.....	26.0	
UCFL314-211D1.....	26.0	
UCFL314-212D1.....	26.0	
UCFL315D1.....	26.0	
UCFL315-215D1.....	26.0	
UCFL315-300D1.....	26.0	
UCFL316D1.....	35.0	
UCFL316-302D1.....	35.0	
UCFL316-303D1.....	35.0	
UCFL317D1.....	40.0	
UCFL317-304D1.....	40.0	
UCFL318D1.....	46.0	
UCFL318-307D1.....	46.0	
UCFL318-308D1.....	46.0	
UCFL319D1.....	57.0	
UCFL319-312D1.....	57.0	
UCFL320D1.....	68.0	
UCFL320-315D1.....	68.0	
UCFL320-400D1.....	68.0	
UCFL321D1.....	71.0	
UCFL322D1.....	86.0	
UCFL324D1.....	115.0	
UCFL326D1.....	141.0	
UCFL328D1.....	196.0	
UCFLX SERIES		
UCFLX05D1.....	2.2	
UCFLX05-013D1.....	2.2	
UCFLX05-014D1.....	2.2	
UCFLX05-015D1.....	2.2	
UCFLX05-100D1.....	2.2	
UCFLX06D1.....	3.3	
UCFLX06-101D1.....	3.3	
UCFLX06-102D1.....	3.3	
UCFLX06-103D1.....	3.3	
UCFLX06-104D1.....	3.3	
UCFLX07D1.....	4.4	
UCFLX07-105D1.....	4.4	
UCFLX07-106D1.....	4.4	
UCFLX07-107D1.....	4.4	
UCFLX08D1.....	4.9	
UCFLX08-108D1.....	4.9	
UCFLX08-109D1.....	4.9	
UCFLX09D1.....	5.3	
UCFLX09-110D1.....	5.3	
UCFLX09-111D1.....	5.3	
UCFLX09-112D1.....	5.3	
UCFLX09-113D1.....	5.3	
UCFLX10D1.....	7.5	
UCFLX10-114D1.....	7.5	
UCFLX10-115D1.....	7.5	
UCFLX10-200D1.....	7.5	
UELFL2 SERIES		
UELFL204D1.....	1.3	
UELFL204-012D1.....	1.3	
UELFL205D1.....	1.5	
UELFL205-013D1.....	1.5	
UELFL205-014D1.....	1.5	
UELFL205-015D1.....	1.5	
UELFL205-100D1.....	1.5	
UELFL206D1.....	2.2	
UELFL206-101D1.....	2.2	
UELFL206-102D1.....	2.2	
UELFL206-103D1.....	2.2	
UELFL206-104D1.....	2.2	
UELFL207D1.....	2.9	
UELFL207-104D1.....	2.9	
UELFL207-105D1.....	2.9	
UELFL207-106D1.....	2.9	
UELFL207-107D1.....	2.9	
UELFL208D1.....	3.7	
UELFL208-108D1.....	3.7	
UELFL208-109D1.....	3.7	
UELFL209D1.....	4.4	
UELFL209-110D1.....	4.4	
UELFL209-111D1.....	4.4	
UELFL209-112D1.....	4.4	
UELFL210D1.....	5.1	
UELFL210-113D1.....	5.1	
UELFL210-114D1.....	5.1	
UELFL210-115D1.....	5.1	
UELFL210-200D1.....	5.1	
UELFL211D1.....	7.3	
UELFL211-200D1.....	7.3	
UELFL211-201D1.....	7.3	
UELFL211-202D1.....	7.3	
UELFL211-203D1.....	7.3	
UELFL212D1.....	9.5	
UELFL212-204D1.....	9.5	
UELFL212-206D1.....	9.5	
UELFL212-207D1.....	9.5	
UELFL213D1.....	12.0	
UELFL213-208D1.....	12.0	
UELFL214D1.....	13.0	
UELFL214-211D1.....	13.0	
UELFL214-212D1.....	13.0	
UELFL215D1.....	14.0	
UELFL215-215D1.....	14.0	
UELFL215-300D1.....	14.0	
UELFL3 SERIES		
UELFL305D1.....	2.4	
UELFL305-014D1.....	2.4	
UELFL305-015D1.....	2.4	
UELFL305-100D1.....	2.4	
UELFL306D1.....	3.5	
UELFL306-102D1.....	3.5	
UELFL306-103D1.....	3.5	
UELFL307D1.....	4.4	
UELFL307-104D1.....	4.4	
UELFL307-105D1.....	4.4	
UELFL307-106D1.....	4.4	
UELFL307-107D1.....	4.4	
UELFL308D1.....	5.7	
UELFL308-108D1.....	5.7	
UELFL309D1.....	7.9	
UELFL309-110D1.....	7.9	
UELFL309-111D1.....	7.9	
UELFL309-112D1.....	7.9	
UELFL310D1.....	10.0	
UELFL310-114D1.....	10.0	
UELFL310-115D1.....	10.0	
UELFL311D1.....	12.0	
UELFL311-200D1.....	12.0	
UELFL311-202D1.....	12.0	
UELFL311-203D1.....	12.0	
UELFL312D1.....	14.0	
UELFL312-204D1.....	14.0	
UELFL312-206D1.....	14.0	
UELFL312-207D1.....	14.0	
UELFL313D1.....	18.0	
UELFL313-208D1.....	18.0	
UELFL314D1.....	21.0	
UELFL314-211D1.....	21.0	
UELFL314-212D1.....	21.0	
UELFL315D1.....	24.0	
UELFL315-215D1.....	24.0	
UELFL315-300D1.....	24.0	
UELFL316D1.....	31.0	
UELFL316-302D1.....	31.0	
UELFL316-303D1.....	31.0	
UELFL317D1.....	35.0	
UELFL317-304D1.....	35.0	
UELFL318D1.....	42.0	
UELFL318-307D1.....	42.0	
UELFL318-308D1.....	42.0	
UELFL319D1.....	53.0	
UELFL319-312D1.....	53.0	
UELFL320D1.....	64.0	
UELFL320-315D1.....	64.0	
UELFL320-400D1.....	64.0	
UELFL321D1.....	66.0	
UELFL322D1.....	79.0	
UELFLU2 SERIES		
UELFLU204D1.....	1.3	
UELFLU204-012D1.....	1.3	
UELFLU205D1.....	1.8	
UELFLU205-013D1.....	1.8	
UELFLU205-014D1.....	1.8	
UELFLU205-015D1.....	1.8	
UELFLU205-100D1.....	1.8	
UELFLU206D1.....	2.4	
UELFLU206-101D1.....	2.4	
UELFLU206-102D1.....	2.4	
UELFLU206-103D1.....	2.4	
UELFLU206-104D1.....	2.4	
UELFLU207D1.....	3.1	
UELFLU207-104D1.....	3.1	
UELFLU207-105D1.....	3.1	
UELFLU207-106D1.....	3.1	
UELFLU207-107D1.....	3.1	
UELFLU208D1.....	4.0	
UELFLU208-108D1.....	4.0	
UELFLU208-109D1.....	4.0	
UELFLU209D1.....	4.6	
UELFLU209-110D1.....	4.6	
UELFLU209-111D1.....	4.6	
UELFLU209-112D1.....	4.6	
UELFLU210D1.....	5.5	
UELFLU210-113D1.....	5.5	
UELFLU210-114D1.....	5.5	
UELFLU210-115D1.....	5.5	
UELFLU210-200D1.....	5.5	
UELFLU211D1.....	7.7	
UELFLU211-200D1.....	7.7	
UELFLU211-201D1.....	7.7	
UELFLU211-202D1.....	7.7	
UELFLU211-203D1.....	7.7	
UELFLU212D1.....	9.9	
UELFLU212-204D1.....	9.9	
UELFLU212-206D1.....	9.9	
UELFLU212-207D1.....	9.9	
UELFLU213D1.....	12.0	
UELFLU213-208D1.....	12.0	
UELFLU214D1.....	13.0	
UELFLU214-211D1.....	13.0	
UELFLU214-212D1.....	13.0	
UELFLU215D1.....	15.0	
UELFLU215-215D1.....	15.0	
UELFLU215-300D1.....	15.0	
AELFL2 SERIES		
AELFL204D1.....	1.2	
AELFL204-012D1.....	1.2	
AELFL205D1.....	1.5	
AELFL205-013D1.....	1.5	
AELFL205-014D1.....	1.5	
AELFL205-015D1.....	1.5	
AELFL205-100D1.....	1.5	
AELFL206D1.....	2.1	
AELFL206-101D1.....	2.1	
AELFL206-102D1.....	2.1	
AELFL206-103D1.....	2.1	
AELFL206-104D1.....	2.1	
AELFL207D1.....	2.8	
AELFL207-104D1.....	2.8	
AELFL207-105D1.....	2.8	
AELFL207-106D1.....	2.8	
AELFL207-107D1.....	2.8	
AELFL208D1.....	3.6	
AELFL208-108D1.....	3.6	
AELFL208-109D1.....	3.6	
AELFL209D1.....	4.3	
AELFL209-110D1.....	4.3	
AELFL209-111D1.....	4.3	
AELFL209-112D1.....	4.3	
AELFL210D1.....	4.8	
AELFL210-113D1.....	4.8	
AELFL210-114D1.....	4.8	



Bearing Series

UCFL2 SERIES

UCFL201D1.....

1.3

Complete Flanged Unit Number

Weight (lbs)

FLANGED UNITS

LBS.

JELFL208D1.....	3.6
JELFL208-108D1.....	3.6
JELFL208-109D1.....	3.6
JELFL209D1.....	4.3
JELFL209-110D1.....	4.5
JELFL209-111D1.....	4.3
JELFL209-112D1.....	4.3
JELFL210D1.....	4.8
JELFL210-113D1.....	4.8
JELFL210-114D1.....	4.8
JELFL210-115D1.....	4.8
JELFL210D1.....	5.1
JELFL210-113D1.....	5.1
JELFL210-114D1.....	5.1
JELFL210-115D1.....	5.1
JELFL210-200D1.....	5.1
JELFL211D1.....	7.3
JELFL211-200D1.....	7.3
JELFL211-201D1.....	7.3
JELFL211-202D1.....	7.3
JELFL211-203D1.....	7.3
JELFL212D1.....	9.5
JELFL212-204D1.....	9.5
JELFL212-206D1.....	9.5
ASFD2 SERIES	
ASFD201.....	0.7
ASFD201-008.....	0.7
ASFD202.....	0.7
ASFD202-009.....	0.7
ASFD202-010.....	0.7
ASFD203.....	0.7
ASFD203-011.....	0.7
ASFD204.....	0.9
ASFD204-012.....	0.9
ASFD205.....	1.1
ASFD205-013.....	1.1
ASFD205-014.....	1.1
ASFD205-015.....	1.1
ASFD205-100.....	1.1
ASFD206D1.....	1.8
ASFD206-101.....	1.8
ASFD206-102.....	1.8
ASFD206-103.....	1.8
ASFD206-104.....	1.8
ASFD207.....	2.0
ASFD207-104.....	2.0
ASFD207-105.....	2.0
ASFD207-106.....	2.0
ASFD207-107.....	2.0
AELFD2 SERIES	
AELFD201.....	0.7
AELFD201-008.....	0.7
AELFD202.....	0.7
AELFD202-009.....	0.7
AELFD202-010.....	0.7
AELFD203.....	0.7
AELFD203-011.....	0.7
AELFD204.....	1.1
AELFD204-012.....	1.1
AELFD205.....	1.1
AELFD205-013.....	1.1
AELFD205-014.....	1.1
AELFD205-015.....	1.1
AELFD205-100.....	1.1
AELFD206.....	1.8
AELFD206-101.....	1.8
AELFD206-102.....	1.8
AELFD206-103.....	1.8
AELFD206-104.....	1.8
AELFD207.....	2.2
AELFD207-104.....	2.2
AELFD207-105.....	2.2
AELFD207-106.....	2.2
AELFD207-107.....	2.2
JELFD2 SERIES	
JELFD201.....	0.7
JELFD201-008.....	0.7
JELFD202.....	0.7
JELFD202-009.....	0.7
JELFD202-010.....	0.7
JELFD203.....	0.7
JELFD203-011.....	0.7
JELFD204.....	1.1
JELFD204-012.....	1.1

JELFD205.....	1.1
JELFD205-013.....	1.1
JELFD205-014.....	1.1
JELFD205-015.....	1.1
JELFD205-100.....	1.1
JELFD206.....	1.8
JELFD206-101.....	1.8
JELFD206-102.....	1.8
JELFD206-103.....	1.8
JELFD206-104.....	1.8
JELFD207.....	2.2
JELFD207-104.....	2.2
JELFD207-105.....	2.2
JELFD207-106.....	2.2
JELFD207-107.....	2.2
ASPFL2 Series	
ASPFL201.....	0.2
ASPFL201-008.....	0.2
ASPFL202.....	0.2
ASPFL202-009.....	0.2
ASPFL202-010.....	0.2
ASPFL203.....	0.2
ASPFL203-011.....	0.2
ASPFL204.....	0.4
ASPFL204-012.....	0.4
ASPFL205.....	0.7
ASPFL205-013.....	0.7
ASPFL205-014.....	0.7
ASPFL205-015.....	0.7
ASPFL205-100.....	0.7
ASPFL206.....	0.9
ASPFL206-101.....	0.9
ASPFL206-102.....	0.9
ASPFL206-103.....	0.9
ASPFL206-104.....	0.9
ASPFL207.....	1.1
ASPFL207-104.....	1.1
ASPFL207-105.....	1.1
ASPFL207-106.....	1.1
ASPFL207-107.....	1.1
AELPFL2 SERIES	
AELPFL201.....	0.4
AELPFL201-008.....	0.4
AELPFL202.....	0.4
AELPFL202-009.....	0.4
AELPFL202-010.....	0.4
AELPFL203.....	0.4
AELPFL203-011.....	0.4
AELPFL204.....	0.7
AELPFL204-012.....	0.7
AELPFL205.....	0.7
AELPFL205-013.....	0.7
AELPFL205-014.....	0.7
AELPFL205-015.....	0.7
AELPFL205-100.....	0.7
AELPFL206.....	1.1
AELPFL206-101.....	1.1
AELPFL206-102.....	1.1
AELPFL206-103.....	1.1
AELPFL206-104.....	1.1
AELPFL207.....	1.5
AELPFL207-104.....	1.5
AELPFL207-105.....	1.5
AELPFL207-106.....	1.5
AELPFL207-107.....	1.5
JELPFL2 SERIES	
JELPFL201.....	0.4
JELPFL201-008.....	0.4
JELPFL202.....	0.4
JELPFL202-009.....	0.4
JELPFL202-010.....	0.4
JELPFL203.....	0.4
JELPFL203-011.....	0.4
JELPFL204.....	0.7
JELPFL204-012.....	0.7
JELPFL205.....	0.7
JELPFL205-013.....	0.7
JELPFL205-014.....	0.7
JELPFL205-015.....	0.7
JELPFL205-100.....	0.7
JELPFL206.....	1.1
JELPFL206-101.....	1.1
JELPFL206-102.....	1.1
JELPFL206-103.....	1.1

JELPFL206-104.....	1.1
JELPFL207.....	1.5
JELPFL207-104.....	1.5
JELPFL207-105.....	1.5
JELPFL207-106.....	1.5
JELPFL207-107.....	1.5
ASPF2 SERIES	
ASPF201.....	0.4
ASPF201-008.....	0.4
ASPF202.....	0.4
ASPF202-009.....	0.4
ASPF202-010.....	0.4
ASPF203.....	0.4
ASPF203-011.....	0.4
ASPF204.....	0.7
ASPF204-012.....	0.7
ASPF205.....	0.7
ASPF205-013.....	0.7
ASPF205-014.....	0.7
ASPF205-015.....	0.7
ASPF205-100.....	0.7
ASPF206.....	1.1
ASPF206-101.....	1.1
ASPF206-102.....	1.1
ASPF206-103.....	1.1
ASPF206-104.....	1.1
ASPF207.....	1.5
ASPF207-104.....	1.5
ASPF207-105.....	1.5
ASPF207-106.....	1.5
ASPF207-107.....	1.5
ASPF208.....	2.4
ASPF208-108.....	2.4
ASPF208-109.....	2.4
AELPF2 SERIES	
AELPF201.....	0.4
AELPF201-008.....	0.4
AELPF202.....	0.4
AELPF202-009.....	0.4
AELPF202-010.....	0.4
AELPF203.....	0.4
AELPF203-011.....	0.4
AELPF204.....	0.7
AELPF204-012.....	0.7
AELPF205.....	0.9
AELPF205-013.....	0.9
AELPF205-014.....	0.9
AELPF205-015.....	0.9
AELPF205-100.....	0.9
AELPF206.....	1.3
AELPF206-101.....	1.3
AELPF206-102.....	1.3
AELPF206-103.....	1.3
AELPF206-104.....	1.3
AELPF207.....	1.8
AELPF207-104.....	1.8
AELPF207-105.....	1.8
AELPF207-106.....	1.8
AELPF207-107.....	1.9
AELPF208.....	2.9
AELPF208-108.....	2.9
AELPF208-109.....	2.9
JELPF2 SERIES	
JELPF201.....	0.4
JELPF201-008.....	0.4
JELPF202.....	0.4
JELPF202-009.....	0.4
JELPF202-010.....	0.4
JELPF203.....	0.4
JELPF203-011.....	0.4
JELPF204.....	0.7
JELPF204-012.....	0.7
JELPF205.....	0.9
JELPF205-013.....	0.9
JELPF205-014.....	0.9
JELPF205-015.....	0.9
JELPF205-100.....	0.9
JELPF206.....	1.3
JELPF206-101.....	1.3
JELPF206-102.....	1.3
JELPF206-103.....	1.3
JELPF206-104.....	1.3
JELPF207.....	1.8
JELPF207-104.....	1.8

JELPF207-105.....	1.8
JELPF207-106.....	1.8
JELPF207-107.....	1.9
JELPF208.....	2.9
JELPF208-108.....	2.9
JELPF208-109.....	2.9
UCF2 SERIES	
UCF201D1.....	1.5
UCF201-008D1.....	1.5
UCF202D1.....	1.5
UCF202-009D1.....	1.5
UCF202-010D1.....	1.5
UCF203D1.....	1.3
UCF203-011D1.....	1.3
UCF204D1.....	1.3
UCF204-012D1.....	1.3
UCF205D1.....	1.8
UCF205-013D1.....	1.8
UCF205-014D1.....	1.8
UCF205-015D1.....	1.8
UCF205-100D1.....	1.8
UCF206D1.....	2.2
UCF206-101D1.....	2.2
UCF206-102D1.....	2.2
UCF206-103D1.....	2.2
UCF206-104D1.....	2.2
UCF207D1.....	3.1
UCF207-104D1.....	3.1
UCF207-105D1.....	3.1
UCF207-106D1.....	3.1
UCF207-107D1.....	3.1
UCF208D1.....	4.0
UCF208-108D1.....	4.0
UCF208-109D1.....	4.0
UCF209D1.....	4.9
UCF209-110D1.....	4.9
UCF209-111D1.....	4.9
UCF209-112D1.....	4.9
UCF210D1.....	5.3
UCF210-113D1.....	5.3
UCF210-114D1.....	5.3
UCF210-115D1.....	5.3
UCF210-200D1.....	5.3
UCF211D1.....	7.9
UCF211-200D1.....	7.9
UCF211-201D1.....	7.9
UCF211-202D1.....	7.9
UCF211-203D1.....	7.9
UCF212D1.....	9.7
UCF212-204D1.....	9.7
UCF212-206D1.....	9.7
UCF212-207D1.....	9.7
UCF213D1.....	12.0
UCF213-208D1.....	12.0
UCF214D1.....	13.0
UCF214-211D1.....	13.0
UCF214-212D1.....	13.0
UCF215D1.....	15.0
UCF215-215D1.....	15.0
UCF215-300D1.....	15.0
UCF216D1.....	18.0
UCF216-302D1.....	18.0
UCF217D1.....	21.0
UCF217-304D1.....	21.0
UCF218D1.....	24.0
UCF218-308D1.....	24.0
UCF3 SERIES	
UCF305D1.....	2.4
UCF305-014D1.....	2.4
UCF305-015D1.....	2.4
UCF305-100D1.....	2.4
UCF306D1.....	3.5
UCF306-102D1.....	3.5
UCF306-103D1.....	3.5
UCF307D1.....	4.4
UCF307-104D1.....	4.4
UCF307-105D1.....	4.4
UCF307-106D1.....	4.4
UCF307-107D1.....	4.4
UCF308D1.....	6.0
UCF308-108D1.....	6.0
UCF309D1.....	7.5
UCF309-110D1.....	7.5
UCF309-111D1.....	7.5



Bearing Series

UCFL2 SERIES

UCFL201D1..... 1.3

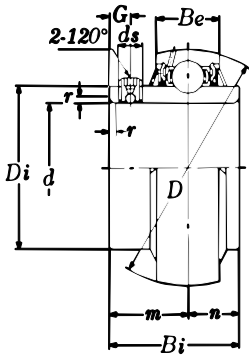
Complete Flanged Unit Number

Weight (lbs)

FLANGED UNITS		LBS.
UCF309-112D1.....	7.5	
UCF31001.....	9.9	
UCF310-114D1.....	9.9	
UCF310-115D1.....	9.9	
UCF311D1.....	12.0	
UCF311-200D1.....	12.0	
UCF311-202D1.....	12.0	
UCF311-203D1.....	12.0	
UCF312D1.....	14.0	
UCF312-204D1.....	14.0	
UCF312-206D1.....	14.0	
UCF312-207D1.....	14.0	
UCF313D1.....	17.0	
UCF313-208D1.....	17.0	
UCF314D1.....	21.0	
UCF314-211D1.....	21.0	
UCF314-212D1.....	21.0	
UCF315D1.....	26.0	
UCF315-215D1.....	26.0	
UCF315-300D1.....	26.0	
UCF316D1.....	31.0	
UCF316-302D1.....	31.0	
UCF316-303D1.....	31.0	
UCF317D1.....	35.0	
UCF317-304D1.....	35.0	
UCF318D1.....	42.0	
UCF318-307D1.....	42.0	
UCF318-308D1.....	42.0	
UCF319D1.....	49.0	
UCF319-312D1.....	49.0	
UCF320D1.....	57.0	
UCF320-315D1.....	57.0	
UCF320-400D1.....	57.0	
UCF321D1.....	60.0	
UCF322D1.....	84.0	
UCF324D1.....	110.0	
UCF326D1.....	146.0	
UCF328D1.....	198.0	
UCFX SERIES		
UCFX05D1.....	2.2	
UCFX05-013D1.....	2.2	
UCFX05-014D1.....	2.2	
UCFX05-015D1.....	2.2	
UCFX05-100D1.....	2.2	
UCFX06D1.....	3.7	
UCFX06-101D1.....	3.7	
UCFX06-102D1.....	3.7	
UCFX06-103D1.....	3.7	
UCFX06-104D1.....	3.7	
UCFX07D1.....	4.6	
UCFX07-105D1.....	4.6	
UCFX07-106D1.....	4.6	
UCFX07-107D1.....	4.6	
UCFX08D1.....	5.3	
UCFX08-108D1.....	5.3	
UCFX08-109D1.....	5.3	
UCFX09D1.....	5.5	
UCFX09-110D1.....	5.5	
UCFX09-111D1.....	5.5	
UCFX09-112D1.....	5.5	
UCFX09-113D1.....	5.5	
UCFX10D1.....	8.6	
UCFX10-114D1.....	8.6	
UCFX10-115D1.....	8.6	
UCFX10-200D1.....	6.6	
UCFX11D1.....	11.0	
UCFX11-201D1.....	11.0	
UCFX11-202D1.....	11.0	
UCFX11-203D1.....	11.0	
UCFX11-204D1.....	11.0	
UCFX11-205D1.....	11.0	
UCFX12D1.....	11.0	
UCFX12-206D1.....	11.0	
UCFX12-207D1.....	11.0	
UCFX13D1.....	12.0	
UCFX13-208D1.....	12.0	
UCFX13-209D1.....	12.0	
UCFX14D1.....	16.0	
UCFX14-210D1.....	16.0	
UCFX14-211D1.....	16.0	
UCFX14-212D1.....	16.0	
UCFX15D1.....	18.0	
UCFX15-213D1.....	18.0	
UCFX15-214D1.....	18.0	
UCFX15-215D1.....	18.0	
UCFX15-300D1.....	18.0	
UCFX16-302D1.....	22.0	
UCFX16-303D1.....	22.0	
UCFX16-304D1.....	22.0	
UCFX17D1.....	24.0	
UCFX17-305D1.....	24.0	
UCFX17-307D1.....	24.0	
UCFX18D1.....	24.0	
UCFX18-308D1.....	24.0	
UCFX20D1.....	37.0	
UCFX20-314D1.....	37.0	
UCFX20-315D1.....	37.0	
UCFX20-400D1.....	37.0	
UELF2 SERIES		
UELF204D1.....	1.5	
UELF204-012D1.....	1.5	
UELF205D1.....	1.8	
UELF205-013D1.....	1.8	
UELF205-014D1.....	1.8	
UELF205-015D1.....	1.8	
UELF205-100D1.....	1.8	
UELF206D1.....	2.6	
UELF206-101D1.....	2.6	
UELF206-102D1.....	2.6	
UELF206-103D1.....	2.6	
UELF206-104D1.....	2.6	
UELF207D1.....	3.5	
UELF207-104D1.....	3.5	
UELF207-105D1.....	3.5	
UELF207-106D1.....	3.5	
UELF207-107D1.....	3.5	
UELF208D1.....	4.2	
UELF208-108D1.....	4.2	
UELF208-109D1.....	4.2	
UELF209D1.....	5.1	
UELF209-110D1.....	5.1	
UELF209-111D1.....	5.1	
UELF209-112D1.....	5.1	
UELF210D1.....	5.7	
UELF210-113D1.....	5.7	
UELF210-114D1.....	5.7	
UELF210-115D1.....	5.7	
UELF210-200D1.....	5.7	
UELF211D1.....	8.4	
UELF211-200D1.....	8.4	
UELF211-201D1.....	8.4	
UELF211-202D1.....	8.4	
UELF211-203D1.....	8.4	
UELF212D1.....	11.0	
UELF212-204D1.....	11.0	
UELF212-206D1.....	11.0	
UELF212-207D1.....	11.0	
UELF213D1.....	13.0	
UELF213-208D1.....	13.0	
UELF214D1.....	14.0	
UELF214-211D1.....	14.0	
UELF214-212D1.....	14.0	
UELF215D1.....	16.0	
UELF215-215D1.....	16.0	
UELF215-300D1.....	16.0	
UELF3 SERIES		
UELF305D1.....	2.6	
UELF305-D14D1.....	2.6	
UELF305-015D1.....	2.6	
UELF305-100D1.....	2.6	
UELF306D1.....	3.7	
UELF306-102D1.....	3.7	
UELF306-103D1.....	3.7	
UELF307D1.....	4.4	
UELF307-104D1.....	4.4	
UELF307-105D1.....	4.4	
UELF307-106D1.....	4.4	
UELF307-107D1.....	4.4	
UELF308D1.....	6.2	
UELF308-106D1.....	6.2	
UELF309D1.....	7.9	
UELF309-110D1.....	7.9	
UELF309-111D1.....	7.9	
UELF309-112D1.....	7.9	
UELF310D1.....	10.0	
UELF310-114D1.....	10.0	
UELF310-115D1.....	10.0	
UELF311D1.....	13.0	
UELF311-200D1.....	13.0	
UELF311-202D1.....	13.0	
UELF311-203D1.....	13.0	
UELF312D1.....	15.0	
UELF312-204D1.....	15.0	
UELF312-206D1.....	15.0	
UELF312-207D1.....	15.0	
UELF313D1.....	18.0	
UELF313-208D1.....	18.0	
UELF314D1.....	22.0	
UELF314-211D1.....	22.0	
UELF314-212D1.....	22.0	
UELF315D1.....	26.0	
UELF315-215D1.....	26.0	
UELF315-300D1.....	26.0	
UELF316D1.....	35.0	
UELF316-302D1.....	35.0	
UELF316-303D1.....	35.0	
UELF317D1.....	37.0	
UELF317-304D1.....	37.0	
UELF318D1.....	46.0	
UELF318-307D1.....	46.0	
UELF318-308D1.....	46.0	
UELF319D1.....	51.0	
UELF319-312D1.....	51.0	
UELF320D1.....	62.0	
UELF320-315D1.....	62.0	
UELF320-400D1.....	62.0	
UELF321D1.....	64.0	
UELF322D1.....	88.0	
UELFU2 SERIES		
UELFU204D1.....	1.8	
UELFU204-012D1.....	1.8	
UELFU205D1.....	2.0	
UELFU205-013D1.....	2.0	
UELFU205-01401.....	2.0	
UELFU205-01501.....	2.0	
UELFU205-100D1.....	2.0	
UELFU206D1.....	2.9	
UELFU206-101D1.....	2.9	
UELFU206-102D1.....	2.9	
UELFU206-104D1.....	2.9	
UELFU207D1.....	4.0	
UELFU207-104D1.....	4.0	
UELFU207-105D1.....	4.0	
UELFU207-106D1.....	4.0	
UELFU207-107D1.....	4.0	
UELFU208D1.....	4.6	
UELFU208-108D1.....	4.6	
UELFU208-109D1.....	4.6	
UELFU209D1.....	5.5	
UELFU209-110D1.....	5.5	
UELFU209-111D1.....	5.5	
UELFU209-112D1.....	5.5	
UELFU210D1.....	6.4	
UELFU210-113D1.....	6.4	
UELFU210-11401.....	6.4	
UELFU210-115D1.....	6.4	
UELFU210-200D1.....	6.4	
UELFU211D1.....	9.3	
UELFU211-200D1.....	9.3	
UELFU211-20101.....	9.3	
UELFU211-202D1.....	9.3	
UELFU211-203D1.....	9.3	
UELFU212D1.....	11.0	
UELFU212-204D1.....	11.0	
UELFU212-206D1.....	11.0	
UELFU212-207D1.....	11.0	
UELFU213D1.....	13.0	
UELFU213-208D1.....	13.0	
UELFU214D1.....	13.0	
UELFU214-211D1.....	13.0	
UELFU214-212D1.....	13.0	
UELFU215D1.....	17.0	
UELFU215-215D1.....	17.0	
UELFU215-300D1.....	17.0	
UKF2SERIES		
UKF205;H2305X.....	1.8	
UKF205;HE2305.....	1.8	
UKF206;H2306X.....	2.4	
UKF206;HS2306.....	2.4	
UKF206;HE2306X.....	2.4	
UKF207;H2307X.....	3.3	
UKF207;HS2307.....	3.3	
UKF208;H2308X.....	4.2	
UKF208;HE2308X.....	4.2	
UKF209;HS2308X.....	4.2	
UKF209;H2309X.....	5.1	
UKF209;HA2309.....	5.1	
UKF209;HE2309X.....	5.1	
UKF209;HS2309X.....	5.1	
UKF210;H2310X.....	5.7	
UKF210;HS2310.....	5.7	
UKF210;HE2310X.....	5.7	
UKF210;HA2310.....	5.7	
UKF211;H2311X.....	8.4	
UKF211;HS2311.....	8.4	
UKF211;HA2311.....	8.4	
UKF211;HE2311XY.....	8.4	
UKF212;H2313X.....	9.9	
UKF212;HS2312.....	9.9	
UKF212;H2313X.....	12	
UKF213;HA2313.....	12	
UKF213;HE2313.....	12	
UKF213;HS2313.....	12	
UKF215;H2315X.....	16	
UKF215;HA2315.....	16	
UKF215;HE2315.....	16	
UKF216;H2316X.....	19	
UKF216;HA2316.....	19	
UKF216;HE2316.....	19	
UKF217;H2317.....	22	
UKF217;HA2317.....	22	
UKF217;HE2317.....	22	
UKF218;H2318X.....	26	
UKF218;HA2318.....	26	



Units: Millimeters
INCHES



BALL BEARING INSERTS												
Bore d	Bearing Number	Nominal Dimensions								Socket Set Screw ds	Basic Load Ratings (lbs)	
		D	Bi	Be	r	n	m	G	Di		Dynamic C	Static C ₀
12 ½	UC201D1 UC201-008D1	47 1.8504	31 1.220	18 .709	1 .039	12.7 .500	18.3 .720	4.5 .177	29.6 1.165	M5 X 0.8 10-32UNF	2,890	1,500
15 ⅝ ⅞	UC202D1 UC202-009D1 UC202-010D1	47 1.8504	31 1.220	18 .709	1 .039	12.7 .500	18.3 .720	4.5 .177	29.6 1.165	M5 X 0.8 10-32UNF	2,890	1,500
17 1 1/16	UC203D1 UC203-011D1	47 1.8504	31 1.220	18 .709	1 .039	12.7 .500	18.3 .720	4.5 .177	29.6 1.165	M5 X 0.8 10-32UNF	2,890	1,500
20 ¾	UC204D1 UC204-012D1	47 1.8504	31 1.220	18 .709	1.5 .059	12.7 .500	18.3 .720	4.5 .177	29.6 1.165	M5 X 0.8 10-32UNF	2,890	1,500
25 1 3/16 7/8 1 1/8 1	UC205D1 UC205-013D1 UC205-014D1 UC205-015D1 UC205-100D1	52 2.0472	34 1.339	18 .709	1.5 .059	14.3 .563	19.7 .776	5 .197	33.9 1.335	M5 X 0.8 10-32UNF	3,150	1,760
30 1 1/16 1 1/8 1 3/16 1 1/4	UC206D1 UC206-101D1 UC206-102D1 UC206-103D1 * UC206-104D1	62 2.4409	38.1 1.500	20 .787	1.5 .059	15.9 .626	22.2 .874	5 .197	40.8 1.606	M6 X 0.75 ¼-28UNF	4,400	2,540
35 1 1/4 1 5/16 1 3/8 1 7/16	UC207D1 UC207-104D1 UC207-105D1 UC207-106D1 * UC207-107D1	72 2.8346	42.9 1.689	22 .866	2 .079	17.5 .689	25.4 1.000	6 .236	46.8 1.843	M6 X 0.75 ¼-28UNF	5,750	3,440
40 1 1/2 1 9/16	UC208D1 UC208-108D1 UC208-109D1	80 3.1496	49.2 1.937	24 .945	2 .079	19 .748	30.2 1.189	8 .315	53 2.087	M8 X 1 5/16-24UNF	6,550	4,000
45 1 5/8 1 11/16 1 3/4	UC209D1 UC209-110D1 UC209-111D1 UC209-112D1	85 3.3465	49.2 1.937	24 .945	2 .079	19 .748	30.2 1.189	8 .315	57.5 2.264	M8 X 1 5/16-24UNF	7,350	4,590
50 1 13/16 1 7/8 1 15/16 2	UC210D1 UC210-113D1 UC210-114D1 UC210-115D1 UC210-200D1	90 3.5433	51.6 2.031	25 .984	2 .079	19 .748	32.6 1.283	9 .354	62.4 2.457	M8 X 1 5/16-24UNF	7,900	5,220
55 2 2 1/16 2 1/8 2 3/16	UC211D1 UC211-200D1 UC211-201D1 UC211-202D1 UC211-203D1	100 3.9370	55.6 2.189	27 1.063	2.5 .098	22.2 .874	33.4 1.315	9 .354	69 2.717	M8 X 1 5/16-24UNF	9,750	6,560
60 2 1/4 2 3/8 2 7/16	UC212D1 UC212-204D1 UC212-206D1 * UC212-207D1	110 4.3307	65.1 2.563	30 1.181	2.5 .098	25.4 1.000	39.7 1.563	10 3.94	77 3.031	M10 X 1.25 ¾-24UNF	11,800	8,100
65 2 1/2	UC213D1 UC213-208D1	120 4.7244	65.1 2.563	32 1.260	2.5 .098	25.4 1.000	39.7 1.563	10 .394	82.5 3.248	M10 X 1.25 ¾-24UNF	12,900	9,000
70 2 11/16 2 3/4	UC214D1 UC214-211D1 UC214-212D1	125 4.9213	74.6 2.937	33 1.299	2.5 .098	30.2 1.189	44.4 1.748	12 .472	87 3.425	M10 X 1.25 ¾-24UNF	14,000	9,900
75 2 15/16 3	UC215D1 UC215-215D1 UC215-300D1	130 5.1181	77.8 3.063	34 1.339	2.5 .098	33.3 1.311	44.5 1.752	12 .472	93 3.661	M10 X 1.25 ¾-24UNF	14,900	11,100
80 3 1/8	UC216D1 UC216-302D1	140 5.5118	82.6 3.252	35 1.378	3 .118	33.3 1.311	49.3 1.941	12 .472	98.1 3.862	M10 X 1.25 ¾-24UNF	16,300	11,900
85 3 1/4	UC217D1 UC217-304D1	150 5.9055	85.7 3.374	36 1.417	3 .118	34.1 1.343	51.6 2.031	12 .472	106.1 4.177	M12 X 1.5 ½-20UNF	18,700	14,400
90 3 1/2	UC218D1 UC218-308D1	160 6.2992	96 3.780	37 1.457	3 .118	39.7 1.563	56.3 2.217	12 .472	111.6 4.394	M12 X 1.5 ½-20UNF	21,600	16,100

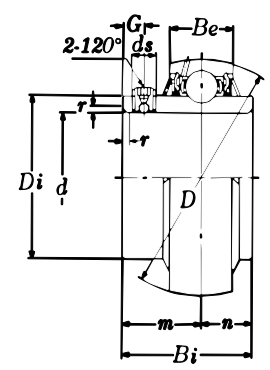
"A-" at front of part number to denote Ultraclass insert.

BALL BEARING INSERTS

Units: Millimeters
INCHES



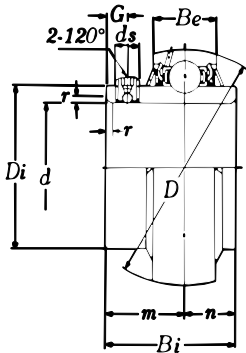
Bore <i>d</i>	Bearing Number	Nominal Dimensions								Socket Set Screw <i>ds</i>	Basic Load Ratings (lbs)	
		<i>D</i>	<i>Bi</i>	<i>Be</i>	<i>r</i>	<i>n</i>	<i>m</i>	<i>G</i>	<i>Di</i>		Dynamic <i>C</i>	Static <i>C₀</i>
25 1 1/8 15/16 1	UC305D1 UC305-014D1 UC305-015D1 UC305-100D1	62 2.4409	38 1.496	20 .787	2 .079	15 .591	23 .906	6 .236	36.8 1.449	M6 X 0.75 1/4-28UNF	4,750	2,460
30 1 1/8 1 3/16	UC306D1 UC306-102D1 UC306-103D1	72 2.8346	43 1.693	23 .906	2 .079	17 .669	26 1.024	6 .236	44.9 1.768	M6 X 0.75 1/4-28UNF	6,000	3,400
35 1 1/4 1 5/16 1 3/8 1 7/16	UC307D1 UC307-104D1 UC307-105D1 UC307-106D1 UC307-107D1	80 3.1496	48 1.890	25 .984	2.5 .098	19 .748	29 1.142	8 .315	49.4 1.945	M8 X 1 5/16-24UNF	7,500	4,300
40 1 1/2	UC308D1 UC308-108D1	90 3.5433	52 2.047	27 1.063	2.5 .098	19 .748	33 1.299	10 .394	56 2.205	M10 X 1.25 3/8-24UNF	9,150	5,400
45 1 5/8 1 11/16 1 3/4	UC309D1 UC309-110D1 UC309-111D1 UC309-112D1	100 3.9370	57 2.244	29 1.142	2.5 .098	22 .866	35 1.378	10 .394	63.5 2.500	M10 X 1.25 3/8-24UNF	11,900	7,200
50 1 7/8 1 15/16	UC310D1 UC310-114D1 UC310-115D1	110 4.3307	61 2.402	32 1.260	3 .118	22 .866	39 1.535	12 .472	70.6 2.780	M12 X 1.5 1/2-20UNF	13,900	8,660
55 2 2 1/8 2 3/16	UC311D1 UC311-200D1 UC311-202D1 UC311-203D1	120 4.7244	66 2.598	34 1.339	3 .118	25 .984	41 1.614	12 .472	76.6 3.016	M12 X 1.5 1/2-20UNF	16,100	10,100
60 2 1/4 2 3/8 2 7/16	UC312D1 UC312-204D1 UC312-206D1 UC312-207D1	130 5.1181	71 2.795	36 1.417	3.5 .138	26 1.024	45 1.772	12 .472	82.7 3.256	M12 X 1.5 1/2-20UNF	18,400	11,700
65 2 1/2	UC313D1 UC313-208D1	140 5.5118	75 2.953	39 1.535	3.5 .138	30 1.181	45 1.772	12 .472	88.2 3.472	M12 X 1.5 1/2-20UNF	20,800	13,400
70 2 11/16 2 3/4	UC314D1 UC314-211D1 UC314-212D1	150 5.9055	78 3.071	41 1.614	3.5 .138	33 1.299	45 1.772	12 .472	94.8 3.732	M12 X 1.5 1/2-20UNF	23,400	15,300
75 2 15/16 3	UC315D1 UC315-215D1 UC315-300D1	160 6.2992	82 3.228	43 1.693	3.5 .138	32 1.260	50 1.969	14 .551	101.3 3.988	M14 X 1.5 9/16-18UNF	25,500	17,400
80 3 1/8 3 3/16	UC316D1 UC316-302D1 UC316-303D1	170 6.6929	86 3.386	45 1.772	3.5 .138	34 1.339	52 2.047	14 .551	107.9 4.248	M14 X 1.5 9/16-18UNF	27,600	19,500
85 3 1/4	UC317D1 UC317-304D1	180 7.0866	96 3.780	47 1.850	4 .157	40 1.575	56 2.205	16 .630	114.4 4.504	M16 X 1.5 5/8-18UNF	29,800	21,800
90 3 7/16 3 1/2	UC318D1 UC318-307D1 UC318-308D1	190 7.4803	96 3.780	49 1.929	4 .157	40 1.575	56 2.205	16 .630	120.9 4.760	M16 X 1.5 5/8-18UNF	32,000	24,100
95 3 3/4	UC319D1 UC319-312D1	200 7.8740	103 4.055	51 2.008	4 .157	41 1.614	62 2.441	16 .630	127.5 5.020	M16 X 1.5 5/8-18UNF	34,500	26,600
100 3 15/16 4	UC320D1 UC320-315D1 UC320-400D1	215 8.4646	108 4.252	55 2.165	4 .157	42 1.654	66 2.598	18 .709	135.6 5.339	M18 X 1.5 5/8-18UNF	39,000	31,500
105	UC321D1	225	112	57	4	44	68	18	142.1	M18 X 1.5	41,400	34,500
110	UC322D1	240	117	59	4	46	71	18	151.7	M18 X 1.5	46,100	40,500
120	UC324D1	260	126	63	4	51	75	18	165.2	M18 X 1.5	46,600	41,500
130	UC326D1	280	135	67	5	54	81	20	178.3	M20 X 1.5	51,500	48,000
140	UC328D1	300	145	71	5	59	86	20	190.4	M20 X 1.5	56,900	55,500



"A-" at front of part number to denote Ultraclass insert.

NTN
SERIES
UCX
SET SCREW
TYPE

Units: **Millimeters**
INCHES



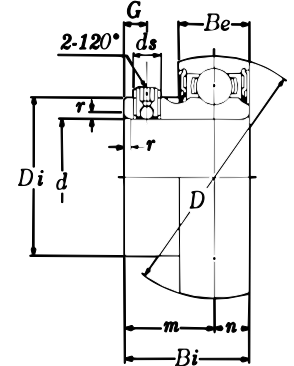
BALL BEARING INSERTS

Bore <i>d</i>	Bearing Number	Nominal Dimensions								Socket Set Screw ds	Basic Load Ratings (lbs)	
		<i>D</i>	<i>Bi</i>	<i>Be</i>	<i>r</i>	<i>n</i>	<i>m</i>	<i>G</i>	<i>Di</i>		Dynamic <i>C</i>	Static <i>C₀</i>
25 1 3/16 7/8 15/16 1	UCX05D1 UCX25-013D1 UCX05-014D1 UCX05-015D1 UCX05-100D1	62 2.4409	38.1 1.500	20 .787	1.5 .059	15.9 .626	22.2 .874	5 .197	40.8 1.606	M6 X 0.75 1/4-28UNF	4,400	2,540
30 1 1/16 1 1/8 1 3/16	UCX06D1 UCX06-101D1 UCX06-102D1 UCX06-102D1	72 2.8346	42.9 1.689	22 .866	1.5 .059	17.5 .689	25.4 1.000	6 .236	46.8 1.843	M8 X 1 5/16-24UNF	5,750	3,440
35 1 5/16 1 3/8 1 7/16	UCX07D1 UCX07-105D1 UCX07-106D1 UCX07-107D1	80 3.1496	49.2 1.937	24 .945	2 .079	19 .748	30.2 1.189	8 .315	53 2.087	M8 X 1 5/16-24UNF	6,550	4,000
40 1 1/2 1 9/16	UCX08D1 UCX08-108D1 UCX08-109D1	85 3.3465	49.2 1.937	24 .945	2 .079	19 .748	30.2 1.189	8 .315	57.5 2.264	M8 X 1 5/16-24UNF	7,350	4,590
45 1 5/8 1 11/16 1 3/4	UCX09D1 UCX09-110D1 UCX09-111D1 UCX09-112D1	90 3.5433	51.6 2.031	25 .984	2 .079	19 .748	32.6 1.283	9 .354	62.4 2.457	M10 X 1.25 3/8-24UNF	7,900	5,220
50 1 7/8 1 15/16	UCX10D1 UCX10-114D1 UCX10-115D1	100 3.9370	55.6 2.189	27 1.063	2 .079	22.2 .874	33.4 1.315	9 .354	69 2.717	M10 X 1.25 3/8-24UNF	9,750	6,560
55 2 1/16 2 1/8 2 3/16	UCX11D1 UCX11-201D1 UCX11-202D1 UCX11-203D1	110 4.3307	65.1 2.563	30 1.181	2.5 .098	25.4 1.000	39.7 1.563	10 .394	77 3.031	M10 X 1.25 3/8-24UNF	11,800	8,100
60 2 3/8 2 7/16	UCX12D1 UCX12-206D1 UCX12-207D1	120 4.7244	65.1 2.563	32 1.260	2.5 .098	25.4 1.000	39.7 1.563	10 .394	82.5 3.248	M10 X 1.25 3/8-24UNF	12,900	9,000
65 2 1/2 2 9/16	UCX13D1 UCX13-208D1 UCX13-209D1	125 4.9213	74.6 2.937	33 1.299	2.5 .098	30.2 1.189	44.4 1.748	12 .472	87 3.425	M12 X 1.5 1/2-20UNF	14,000	9,900
70 2 5/8 2 11/16 2 3/4	UCX14D1 UCX14-210D1 UCX14-211D1 UCX14-212D1	130 5.1181	77.8 3.063	34 1.339	2.5 .098	33.3 1.311	44.5 1.752	12 .472	93 3.661	M12 X 1.5 1/2-20UNF	14,900	11,100
75 2 13/16 2 7/8 2 15/16 3	UCX15D1 UCX15-213D1 UCX15-214D1 UCX15-215D1 UCX15-300D1	140 5.5118	82.6 3.252	35 1.378	2.5 .098	33.3 1.311	49.3 1.941	12 .472	98.1 3.862	M12 X 1.5 1/2-20UNF	16,300	11,900
80 3 1/8 3 3/16	UCX16D1 UCX16-302D1 UCX16-303D1	150 5.9055	85.7 3.374	36 1.417	3 .118	34.1 1.343	51.6 2.031	12 .472	106.1 4.177	M12 X 1.5 1/2-20UNF	18,700	14,400
85 3 5/16 3 7/16	UCX17D1 UCX17-305D1 UCX17-307D1	160 6.2992	96 3.780	37 1.457	3 .118	39.7 1.563	56.3 2.217	12 .472	111.6 4.394	M12 X 1.5 1/2-20UNF	21,600	16,100
90 3 1/2	UCX18D1 UCX18-308D1	170 6.6929	104 4.094	39 1.535	3 .118	42.9 1.689	61.1 2.406	14 .551	118.2 4.654	M14 X 1.5 9/16-18UNF	24,500	18,400
100 3 7/8 3 15/16 4	UCX20D1 UCX20-314D1 UCX20-315D1 UCX20-400D1	190 7.4803	117.5 4.626	44 1.732	3.5 .138	49.2 1.937	68.3 2.689	16 .630	131.3 5.169	M16 X 1.5 5/8-18UNF	29,900	23,600

"A-" at front of part number to denote Ultraclass insert.

BALL BEARING INSERTS – AS2 SERIES

Bore <i>d</i>	Bearing Number	Nominal Dimensions								Socket Set Screw <i>ds</i>	Basic Load Ratings (lbs)	
		<i>D</i>	<i>Bi</i>	<i>Be</i>	<i>r</i>	<i>n</i>	<i>m</i>	<i>G</i>	<i>Di</i>		Dynamic <i>C</i>	Static <i>C₀</i>
12 ½	AS201 AS201-008	40 1.5748	22 .866	12 .472	1 .039	6 .236	16 .630	4.2 .165	24.4 .961	M5 X 0.8 10-32UNF	2,160	1,030
15 ⅞ ⅝	AS202 AS202-009 AS202-010	40 1.5748	22 .866	12 .472	1 .039	6 .236	16 .630	4.2 .165	24.4 .961	M5 X 0.8 10-32UNF	2,160	1,030
17 ⅞ ⅝	AS203 * AS203-011	40 1.5748	22 .866	12 .472	1 .039	6 .236	16 .630	4.2 .165	24.4 .961	M5 X 0.8 10-32UNF	2,160	1,030
20 ¾	AS204 AS204-012	47 1.8504	25 .984	14 .551	1.5 .059	7 .276	18 .708	4.2 .165	29.6 1.165	M5 X 0.8 10-32UNF	2,890	1,500
25 1 ⅜ 7/8 1 ⅝ 1	AS205 AS205-013 AS205-014 AS205-015 AS205-100	52 2.0472	27 1.063	15 .591	1.5 .059	7.5 .295	19.5 .768	5 .197	33.9 1.335	M5 X 0.8 10-32UNF	3,150	1,760
30 1 ⅞ 1 ⅝ 1 ¾ 1 ¼	AS206 AS206-101 AS206-102 AS206-103 * AS206-104	62 2.4409	29 1.142	16 .630	1.5 .059	8 .315	21 .827	5 .197	40.8 1.606	M6 X 0.75 ¼-28UNF	4,400	2,540
35 1 ¾ 1 ⅝ 1 ⅜ 1 ⅞	AS207 AS207-104 AS207-105 AS207-106 * AS207-107	72 2.8349	34 1.339	17 .669	2 .079	8.5 .335	25.5 1.004	6 .236	46.8 1.843	M6 X 0.75 ¼-28UNF	5,750	3,440
40 1 ½ 1 ⅞	AS208 AS208-108 AS208-109	80 3.1496	38 1.496	18 .709	2 .079	9 .354	29 1.142	8 .315	53 2.087	M8 X 1 ⅝-24UNF	6,540	4,000



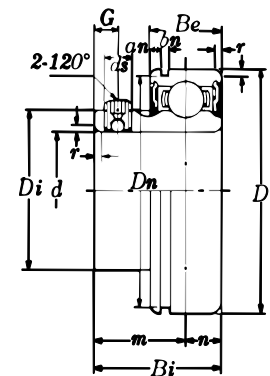
AS2

Units: Millimeters
INCHES

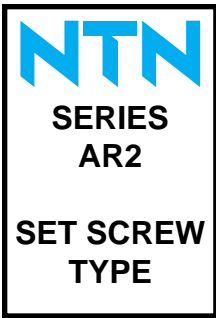


BALL BEARING INSERTS – ASS2 SERIES

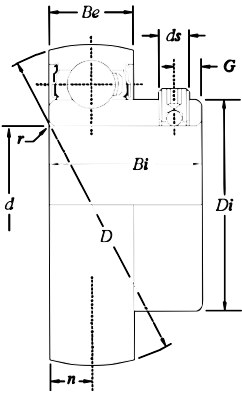
Bore <i>d</i>	Bearing Number	Nominal Dimensions											Socket Set Screw <i>ds</i>	Basic Load Ratings (lbs)	
		<i>D</i>	<i>Bi</i>	<i>Be</i>	<i>r</i>	<i>n</i>	<i>m</i>	<i>G</i>	<i>Di</i>	<i>Dn</i>	<i>an</i>	<i>bn</i>		Dynamic <i>C</i>	Static <i>C₀</i>
12 ½	ASS201N ASS201-008N	40 1.5748	22 .866	12 .472	1 .039	6 .236	16 .630	4.2 .165	24.4 .961	38.1 1.500	1.98 .078	1.5 .059	M5 X 0.8 10-32UNF	2,160	1,030
15 ⅞ ⅝	ASS202N ASS202-009N ASS202-010N	40 1.5748	22 .866	12 .472	1 .039	6 .236	16 .630	4.2 .165	24.4 .961	38.1 1.500	1.98 .078	1.5 .059	M5 X 0.8 10-32UNF	2,160	1,030
17 ⅞ ⅝	ASS203N * ASS203-011N	40 1.5748	22 .866	12 .472	1 .039	6 .236	16 .630	4.2 .165	24.4 .961	38.1 1.500	1.98 .078	1.5 .059	M5 X 0.8 10-32UNF	2,160	1,030
20 ¾	ASS204N ASS204-012N	47 1.8504	25 .984	14 .551	1.5 .059	7 .276	18 .708	4.2 .165	29.6 1.165	44.6 1.756	2.38 .094	1.5 .059	M5 X 0.8 10-32UNF	2,890	1,500
25 1 ⅜ 7/8 1 ⅝ 1	ASS205N ASS205-013N ASS205-014N ASS205-015N ASS205-100N	52 2.0472	27 1.063	15 .591	1.5 .059	7.5 .295	19.5 .768	5 .197	33.9 1.335	49.73 1.958	2.38 .094	1.5 .059	M5 X 0.8 10-32UNF	3,150	1,760
30 1 ⅞ 1 ⅝ 1 ¾ 1 ¼	ASS206N ASS206-101N ASS206-102N ASS206-103N * ASS206-104N	62 2.4409	29 1.142	16 .630	1.5 .059	8 .315	21 .827	5 .197	40.8 1.606	59.61 2.347	3.18 .125	2.05 .081	M6 X 0.75 ¼-28UNF	4,400	2,540
35 1 ¾ 1 ⅝ 1 ⅜ 1 ⅞	ASS207N ASS207-104N ASS207-105N ASS207-106N * ASS207-107N	72 2.8349	34 1.339	17 .669	2 .079	8.5 .335	25.5 1.004	6 .236	46.8 1.843	68.81 2.709	3.18 .125	2.05 .081	M6 X 0.75 ¼-28UNF	5,750	3,440
40 1 ½ 1 ⅞	ASS208N ASS208-108N ASS208-109N	80 3.1496	38 1.496	18 .709	2 .079	9 .354	29 1.142	8 .315	53 2.087	76.81 3.024	3.18 .125	2.05 .081	M8 X 1 ⅝-24UNF	6,540	4,000



ASS2



Units: **Millimeters**
INCHES



BALL BEARING INSERTS

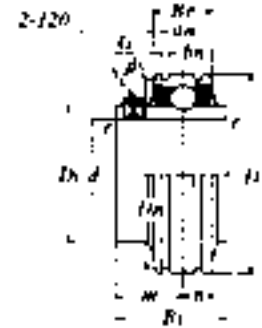
Bore <i>d</i>	Bearing Number	Nominal Dimensions							Socket Set Screw <i>ds</i>	Basic Load Ratings (lbs)	
		<i>D</i>	<i>Bi</i>	<i>Be</i>	<i>r</i>	<i>n</i>	<i>G</i>	<i>Di</i>		Dynamic <i>C</i>	Static <i>C₀</i>
12 ½	AR201 AR201-008	40 1.5748	22.5 .8858	13 .5118	1 .0394	6.5 .2559	5 .1969	24.4 .9606	M6 X 0.75 ¼-28UNF	1,370	615
15 ⅞ 5/8	AR202 AR202-009 AR202-010	40 1.5748	22.5 .8858	13 .5118	1 .0394	6.5 .2559	5 .1969	24.4 .9606	M6 X 0.75 ¼-28UNF	1,740	805
17 1 1/16	AR203 AR203-011	40 1.5748	22.5 .8858	13 .5118	1 .0394	6.5 .2559	5 .1969	24.4 .9606	M6 X 0.75 ¼-28UNF	2,160	1,030
20 ¾	AR204 AR204-012	47 1.8504	25.5 1.0039	15 .5906	1.5 .0591	7.5 .2953	5 .1969	29.6 1.1654	M6 X 0.75 ¼-28UNF	2,890	1,500
25 1 3/16 7/8 1 1/16 1	AR205 AR205-013 AR205-014 AR205-015 AR205-100	52 2.0472	27 1.0630	15 .5906	1.5 .0591	7.5 .2953	5 .1969	33.9 1.3346	M6 X 0.75 ¼-28UNF	3,150	1,770
30 1 1/16 1 1/8 1 3/16 1 1/4	AR206 AR206-101 AR206-102 AR206-103 AR206-104	62 2.4409	30 1.1811	18 .7087	1.5 .0591	9 .3543	5 .1969	40.8 1.6063	M6 X 0.75 ¼-28UNF	4,400	2,540
35 1 1/4 1 5/16 1 3/8 1 7/16	AR207 AR207-104 AR207-105 AR207-106 AR207-107	72 2.8346	35 1.3780	19 .7480	2 .0787	9.5 .3740	6 .2362	46.8 1.8425	M6 X 0.75 ¼-28UNF	5,750	3,450
40 1 1/2 1 9/16	AR208 AR208-108 AR208-109	80 3.1496	40 1.5748	22 .8661	2 .0787	11 .4331	8 .3150	53 2.0866	M8 X 1 5/16-24UNF	6,550	4,000
45 1 5/8 1 11/16 1 3/4	AR209 AR209-110 AR209-111 AR209-112	85 3.3465	41.5 1.6339	22 .8661	2 .0787	11 .4331	8 .3150	57.5 2.2638	M8 X 1 5/16-24UNF	7,350	4,600
50 1 13/16 1 7/8 1 15/16 2	AR210 AR210-113 AR210-114 AR210-115 AR210-200	90 3.5433	43 1.6929	22 .8661	2 .0787	11 .4331	9 .3543	62.4 2.4567	M8 X 1 5/16-24UNF	7,900	5,200

BALL BEARING INSERTS

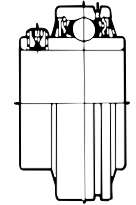
Units: Millimeters
INCHES



Bore <i>d</i>	Bearing Number	Nominal Dimensions											Socket Set Screw <i>ds</i>	Basic Load Ratings (lbs)	
		<i>D</i>	<i>Bi</i>	<i>Be</i>	<i>r</i>	<i>n</i>	<i>m</i>	<i>G</i>	<i>Di</i>	<i>Dn</i>	<i>an</i>	<i>bn</i>		Dynamic <i>C</i>	Static <i>C₀</i>
12 ½	UCS201D1N UCS201-008D1N	47 1.8504	31 1.220	18 .079	1 .039	12.7 .500	18.3 .720	4.5 .177	29.6 1.165	44.6 1.756	3.2 .126	1.5 .059	M5 X 0.8 10-32UNF	2,890	1,500
15 ⅝ ⅞	UCS202D1N UCS202-009D1N UCS202-010D1N	47 1.8504	31 1.220	18 .709	1 .039	12.7 .500	18.3 .720	4.5 .177	29.6 1.165	44.6 1.756	3.2 .126	1.5 .059	M5 X 0.8 10-32UNF	2,890	1,500
17 ⅞	UCS203D1N UCS203-011D1N	47 1.8504	31 1.220	18 .709	1 .039	12.7 .500	18.3 .720	4.5 .177	29.6 1.165	44.6 1.756	3.2 .126	1.5 .059	M5 X 0.8 10-32UNF	2,890	1,500
20 ¾	UCS204D1N UCS204-012D1N	47 1.8504	31 1.220	18 .709	1.5 .059	12.7 .500	18.3 .720	4.5 .177	29.6 1.165	44.6 1.756	3.2 .126	1.5 .059	M5 X 0.8 10-32UNF	2,890	1,500
25 1⅜ 7/8 1⅝ 1	UCS205D1N UCS205-013D1N UCS205-014D1N UCS205-015D1N UCS205-100D1N	52 2.0472	34 1.339	18 .709	1.5 .059	14.3 .563	19.7 .776	5 .197	33.9 1.335	49.73 1.958	3.2 .126	1.5 .059	M5 X 0.8 10-32UNF	3,150	1,760
30 1⅞ 1⅝ 1⅜	UCS206D1N UCS206-101D1N UCS206-102D1N UCS206-103D1N	62 2.4409	38.1 1.500	20 .787	1.5 .059	15.9 .626	22.2 .874	5 .197	40.8 1.606	59.61 2.347	3.5 .138	2.05 .081	M6 X 0.75 ¼-28UNF	4,400	2,540
35 1⅞ 1⅝ 1⅜ 1⅞	UCS207D1N UCS207-104D1N UCS207-105D1N UCS207-106D1N *UCS207-107D1N	72 2.8346	42.9 1.689	22 .866	2 .079	17.5 .689	25.4 1.000	6 .236	46.8 1.843	68.81 2.709	3.7 .146	2.05 .081	M6 X 0.75 ¼-28UNF	5,750	3,440
40 1½ 1⅞	UCS208D1N UCS208-108D1N UCS208-109D1N	80 3.1496	49.2 1.937	24 .945	2 .079	19 .748	30.2 1.189	8 .315	53 2.087	76.81 3.024	3.7 .146	2.05 .081	M8 X 1 ⅝-24UNF	6,550	4,000
45 1⅝ 1⅞ 1¾	UCS209D1N UCS209-110D1N UCS209-111D1N UCS209-112D1N	85 3.3465	49.2 1.937	24 .945	2 .079	19 .748	30.2 1.189	8 .315	57.5 2.264	81.81 3.221	3.7 .146	2.05 .081	M8 X 1 ⅝-24UNF	7,350	4,590
50 1⅞ 1⅝ 1⅞	UCS210D1N UCS210-113D1N UCS210-114D1N UCS210-115D1N	90 3.5433	51.6 2.031	25 .984	2 .079	19 .748	32.6 1.283	9 .354	62.4 2.457	86.79 3.417	4 .157	2.85 .112	M8 X 1 ⅝-24UNF	7,900	5,220
55 2 2⅞ 2⅝ 2⅞	UCS211D1N UCS211-200D1N UCS211-201D1N UCS211-202D1N UCS211-203D1N	100 3.9370	55.6 2.189	27 1.063	2.5 .098	22.2 .874	33.4 1.315	9 .354	69 2.717	96.8 3.811	4.5 .177	2.85 .112	M8 X 1 ⅝-24UNF	9,750	6,560
60 2¼ 2⅝ 2⅞	UCS212D1 UCS212-204D1 UCS212-206D1 *UCS212-207D1	110 4.3307	65.1 2.563	30 1.181	2.5 .098	25.4 1.000	39.7 1.563	10 .394	77 3.031	— —	— —	— —	M10 X 1.25 ⅝-24UNF	11,800	8,100
65 2½	UCS213D1 UCS213-208D1	120 4.7244	65.1 2.563	32 1.260	2.5 .098	25.4 1.000	39.7 1.563	10 .394	82.5 3.248	— —	— —	— —	M10 X 1.25 ⅝-24UNF	12,900	9,000
70	UCS214D1	125	74.6	33	2.5	30.2	44.4	12	87	—	—	—	M10 X 1.25	14,000	9,900
75	UCS215D1	130	77.8	34	2.5	33.3	44.5	12	93	—	—	—	M10 X 1.25	14,900	11,100
80	UCS216D1	140	82.6	35	3	33.3	49.3	12	98.1	—	—	—	M10 X 1.25	16,300	11,900
85	UCS217D1	150	85.7	36	3	34.1	51.6	12	106.1	—	—	—	M12 X 1.5	18,700	14,300
90	UCS218D1	160	96	37	3	39.7	56.3	12	111.6	—	—	—	M12 X 1.5	21,600	16,100



UCS...D1N



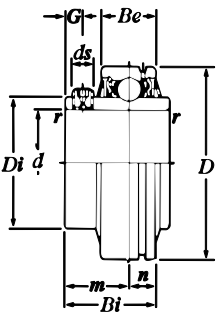
UCS...D1



Units: Millimeters
INCHES

BALL BEARING INSERTS

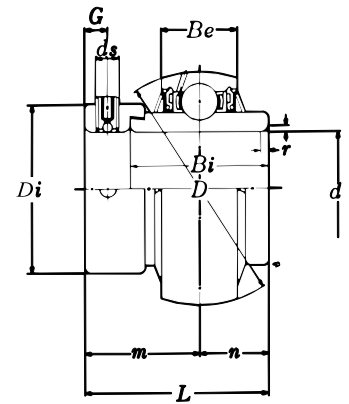
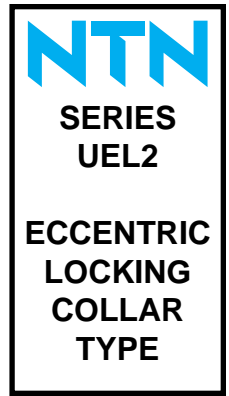
Bore <i>d</i>	Bearing Number	Nominal Dimensions								Socket Set Screws	Basic Load Ratings (lbs)	
		<i>D</i>	<i>Bi</i>	<i>Be</i>	<i>r</i>	<i>n</i>	<i>m</i>	<i>G</i>	<i>Di</i>		Dynamic <i>C</i>	Static <i>C₀</i>
25 7/8 15/16 1	UCS305D1 UCS305-014D1 UCS305-015D1 UCS305-100D1	62 2.4409	38 1.496	20 .787	2 .079	15 .591	23 .906	6 .236	36.8 1.449	M6 X 0.75 1/4-28UNF	4,770	2,450
30 1 1/8 1 3/16	UCS306D1 UCS306-102D1 UCS306-103D1	72 2.8346	43 1.693	23 .906	2 .079	17 .669	26 1.024	6 .236	44.9 1.768	M6 X 0.75 1/4-28UNF	6,000	3,370
35 1 1/4 1 5/16 1 3/8 1 7/16	UCS307D1 UCS307-104D1 UCS307-105D1 UCS307-106D1 UCS307-107D1	80 3.1496	48 1.890	25 .984	2.5 .098	19 .748	29 1.142	8 .315	49.4 1.945	M8 X 1 5/16-24UNF	7,530	4,290
40 1 1/2	UCS308D1 UCS308-108D1	90 3.5433	52 2.047	27 1.063	2.5 .098	19 .748	33 1.299	10 .394	56 2.205	M10 X 1.25 3/8-24UNF	9,100	5,400
45 1 5/8 1 11/16 1 3/4	UCS309D1 UCS309-110D1 UCS309-111D1 UCS309-112D1	100 3.9370	57 2.244	29 1.142	2.5 .098	22 .866	35 1.378	10 .394	63.5 2.500	M10 X 1.25 3/8-24UNF	11,900	7,200
50 1 7/8 1 15/16	UCS310D1 UCS310-114D1 UCS310-115D1	110 4.3307	61 2.402	32 1.260	3 .118	22 .866	39 1.535	12 .472	70.6 2.780	M12 X 1.5 1/2-20UNF	13,900	8,660
55 2 2 1/8 2 3/16	UCS311D1 UCS311-200D1 UCS311-202D1 UCS311-203D1	120 4.7244	66 2.598	34 1.339	3 .118	25 .984	41 1.614	12 .472	76.6 3.016	M12 X 1.5 1/2-20UNF	16,100	10,100
60 2 1/4 2 3/8 2 7/16	UCS312D1 UCS312-204D1 UCS312-206D1 UCS312-207D1	130 5.1181	71 2.795	36 1.417	3.5 .138	26 1.024	45 1.772	12 .472	82.7 3.256	M12 X 1.5 1/2-20UNF	18,400	11,700
65 2 1/2	UCS313D1 UCS313-208D1	140 5.5118	75 2.953	39 1.535	3.5 .138	30 1.181	45 1.772	12 .472	88.2 3.472	M12 X 1.5 1/2-20UNF	20,800	13,500
70 2 11/16 2 3/4	UCS314D1 UCS314-211D1 UCS314-212D1	150 5.9055	78 3.071	41 1.614	3.5 .138	33 1.299	45 1.772	12 .472	94.8 3.732	M12 X 1.5 1/2-20UNF	23,400	15,300
75 2 15/16 3	UCS315D1 UCS315-215D1 UCS315-300D1	160 6.2992	82 3.228	43 1.693	3.5 .138	32 1.260	50 1.969	14 .551	101.3 3.988	M14 X 1.5 9/16-18UNF	25,400	17,300
80 3 1/8 3 3/16	UCS316D1 UCS316-302D1 UCS316-303D1	170 6.6929	86 3.386	45 1.772	3.5 .138	34 1.339	52 2.047	14 .551	107.9 4.248	M14 X 1.5 9/16-18UNF	27,700	19,400
85 3 1/4	UCS317D1 UCS317-304D1	180 7.0866	96 3.780	47 1.850	4 .157	40 1.575	56 2.205	16 .630	114.4 4.504	M16 X 1.5 5/8-18UNF	29,900	21,800
90 3 7/16 3 1/2	UCS318D1 UCS318-307D1 UCS318-308D1	190 7.4803	96 3.780	49 1.929	4 .157	40 1.575	56 2.205	16 .630	120.9 4.760	M16 X 1.5 5/8-18UNF	32,100	24,100
95 3 3/4	UCS319D1 UCS319-312D1	200 7.8740	103 4.055	51 2.008	4 .157	41 1.614	62 2.441	16 .630	127.5 5.020	M16 X 1.5 5/8-18UNF	34,400	26,800
100 3 15/16 4	UCS320D1 UCS320-315D1 UCS320-400D1	215 8.4646	108 4.252	55 2.165	4 .157	42 1.654	66 2.598	18 .709	135.6 5.339	M18 X 1.5 5/8-18UNF	38,900	31,700
105	UCS321D1	225	112	57	4	44	68	18	142.1	M18 X 1.5	41,400	34,400
110	UCS322D1	240	117	59	4	46	71	18	151.7	M18 X 1.5	46,100	40,200
120	UCS324D1	260	126	63	4	51	75	18	165.2	M18 X 1.5	46,500	41,600
130	UCS326D1	280	135	67	5	54	81	20	178.3	M20 X 1.5	51,500	48,100
140	UCS328D1	300	145	71	5	59	86	20	190.4	M20 X 1.5	56,900	55,300



BALL BEARING INSERTS

Bore d	Bearing Number	Nominal Dimensions									Socket Set Screw ds	Basic Load Ratings (lbs)	
		D	L	Bi	Be	r	n	m	G	Di		Dynamic C	Static C ₀
20 ¾	UEL204D1 UEL204-012D1	47 1.8504	43.7 1.720	34.2 1.346	18 .709	1.5 .059	17.1 .672	26.6 1.047	4.8 .189	33 1.31	M6 X 0.75 ¼-28UNF	2,890	1,500
25 1 3/16 7/8 1 1/16 1	UEL205D1 UEL205-013D1 UEL205-014D1 UEL205-015D1 UEL205-100D1	52 2.0472	44.4 1.748	34.9 1.374	18 .709	1.5 .059	17.5 .688	26.9 1.059	4.8 .189	38 1.50	M6 X 0.75 ¼-28UNF	3,150	1,760
30 1 1/16 1 1/8 1 3/16 1 1/4	UEL206D1 UEL206-101D1 UEL206-102D1 UEL206-103D1 UEL206-104D1	62 2.4409	48.4 1.906	36.5 1.437	20 .787	1.5 .059	18.3 .719	30.1 1.185	6 .236	44.5 1.75	M8 X 1 5/16-24UNF	4,400	2,540
35 1 1/4 1 5/8 1 3/8 1 7/8	UEL207D1 UEL207-104D1 UEL207-105D1 UEL207-106D1 UEL207-107D1	72 2.8346	51.1 2.012	37.6 1.480	22 .866	2 .079	18.8 .742	32.3 1.272	6.8 .268	55.5 2.19	M10 X 1.25 ¾-24UNF	5,750	3,440
40 1 1/2 1 9/16	UEL208D1 UEL208-108D1 UEL208-109D1	80 3.1496	56.3 2.217	42.8 1.685	24 .945	2 .079	21.4 .844	34.9 1.374	6.8 .268	60 2.37	M10 X 1.25 ¾-24UNF	6,550	4,000
45 1 5/8 1 11/16 1 3/4	UEL209D1 UEL209-110D1 UEL209-111D1 UEL209-112D1	85 3.3465	56.3 2.217	42.8 1.685	24 .945	2 .079	21.4 .844	34.9 1.374	6.8 .268	63.5 2.50	M10 X 1.25 ¾-24UNF	7,350	4,590
50 1 13/16 1 7/8 1 15/16 2	UEL210D1 UEL210-113D1 UEL210-114D1 UEL210-115D1 UEL210-200D1	90 3.5433	62.7 2.469	49.2 1.937	25 .984	2 .079	24.6 .969	38.1 1.500	6.8 .268	69.5 2.74	M10 X 1.25 ¾-24UNF	7,900	5,220
55 2 2 1/16 2 1/8 2 3/16	UEL211D1 UEL211-200D1 UEL211-201D1 UEL211-202D1 UEL211-203D1	100 3.9370	71.4 2.811	55.5 2.185	27 1.063	2.5 .098	27.8 1.094	43.6 1.717	8 .315	76 3.00	M10 X 1.25 ¾-24UNF	9,750	6,560
60 2 1/4 2 3/8 2 7/16	UEL212D1 UEL212-204D1 UEL212-206D1 UEL212-207D1	110 4.3307	77.8 3.063	61.9 2.437	30 1.181	2.5 .098	31 1.219	46.8 1.843	8 .315	84 3.31	M10 X 1.25 ¾-24UNF	11,800	8,100
65 2 1/2	UEL213D1 UEL213-208D1	120 4.7244	85.7 3.374	68.3 2.689	32 1.260	2.5 .098	34.15 1.344	51.55 2.030	8.7 .343	97 3.819	M10 X 1.25 ¾-24UNF	12,900	9,000
70 2 11/16 2 3/4	UEL214D1 UEL214-211D1 UEL214-212D1	125 4.9213	85.7 3.374	68.3 2.689	33 1.299	2.5 .098	34.15 1.344	51.55 2.030	8.7 .343	97 3.819	M10 X 1.25 ¾-24UNF	13,900	9,900
75 2 15/16 3	UEL215D1 UEL215-215D1 UEL215-300D1	130 5.1181	92 3.622	74.6 2.937	34 1.339	2.5 .098	37.3 1.469	54.7 2.154	8.7 .343	102 4.016	M10 X 1.25 ¾-24UNF	14,800	11,100

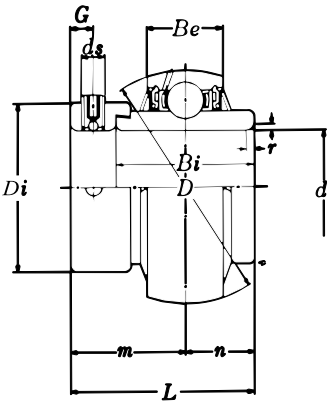
Units: Millimeters
INCHES



"A-" at front of part number to denote Ultraclass insert.

NTN
SERIES
UEL3
ECCENTRIC
LOCKING
COLLAR
TYPE

Units: **Millimeters**
INCHES



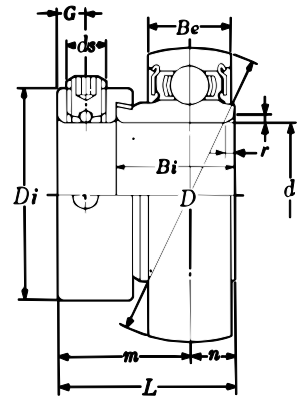
BALL BEARING INSERTS

Bore <i>d</i>	Bearing Number	Nominal Dimensions									Socket Set Screw <i>ds</i>	Basic Load Ratings (lbs)	
		<i>D</i>	<i>L</i>	<i>Bi</i>	<i>Be</i>	<i>r</i>	<i>n</i>	<i>m</i>	<i>G</i>	<i>Di</i>		<i>C</i>	<i>C₀</i>
25 7/8 15/16 1	UEL305D1 UEL305-014D1 UEL305-015D1 UEL305-100D1	62 2.4409	46.8 1.843	34.9 1.374	20 .787	2 .079	16.7 .657	30.1 1.185	6 .236	42.8 1.685	M8 X 1 5/16-24UNF	4,770	2,450
30 1 1/8 1 3/8	UEL306D1 UEL306-102D1 UEL306-103D1	72 2.8346	50 1.969	36.5 1.437	23 .906	2 .079	17.5 .689	32.5 1.280	6.7 .264	50 1.969	M8 X 1 5/16-24UNF	6,000	3,370
35 1 1/4 1 5/8 1 3/4 1 7/8	UEL307D1 UEL307-104D1 UEL307-105D1 UEL307-106D1 UEL307-107D1	80 3.1496	51.6 2.031	38.1 1.500	25 .984	2.5 .098	18.3 .720	33.3 1.311	6.7 .264	55 2.165	M8 X 1 5/16-24UNF	7,530	4,290
40 1 1/2	UEL308D1 UEL308-108D1	90 3.5433	57.1 2.248	41.3 1.626	27 1.063	2.5 .098	19.8 .780	37.3 1.469	8 .315	63.5 2.500	M10 X 1.25 3/8-24UNF	9,100	5,400
45 1 5/8 1 11/16 1 3/4	UEL309D1 UEL309-110D1 UEL309-111D1 UEL309-112D1	100 3.9370	58.7 2.311	42.9 1.689	29 1.142	2.5 .098	19.8 .780	38.9 1.531	8 .315	70 2.756	M10 X 1.25 3/8-24UNF	11,900	7,200
50 1 7/8 1 15/16	UEL310D1 UEL310-114D1 UEL310-115D1	110 4.3307	66.6 2.622	49.2 1.937	32 1.260	3 .118	24.6 .969	42 1.654	8.7 .343	76.2 3.000	M10 X 1.25 3/8-24UNF	13,900	8,660
55 2 2 1/8 2 3/8	UEL311D1 UEL311-200D1 UEL311-202D1 UEL311-203D1	120 4.7244	73 2.874	55.6 2.189	34 1.339	3 .118	27.8 1.094	45.2 1.780	8.7 .343	83 3.268	M10 X 1.25 3/8-24UNF	16,100	10,100
60 2 1/4 2 3/8 2 7/8	UEL312D1 UEL312-204D1 UEL312-206D1 UEL312-207D1	130 5.1181	79.4 3.126	61.9 2.437	36 1.417	3.5 .138	30.95 1.219	48.45 1.907	8.7 .343	89 3.504	M10 X 1.25 3/8-24UNF	18,400	11,700
65 2 1/2	UEL313D1 UEL313-208D1	140 5.5118	85.7 3.374	65.1 2.563	39 1.535	3.5 .138	32.55 1.281	53.15 2.093	10.3 .406	97 3.819	M12 X 1.5 1/2-20UNF	20,800	13,500
70 2 11/16 2 3/4	UEL314D1 UEL314-211D1 UEL314-212D1	150 5.9055	92.1 3.626	68.3 2.689	41 1.614	3.5 .138	34.15 1.344	57.95 2.281	10.3 .406	102 4.016	M12 X 1.5 1/2-20UNF	23,400	15,300
75 2 15/16 3	UEL315D1 UEL315-215D1 UEL315-300D1	160 6.2992	100 3.937	74.6 2.937	43 1.693	3.5 .138	37.3 1.469	62.7 2.469	12.7 .500	113 4.449	M16 X 1.5 5/8-18UNF	25,400	17,300
80 3 1/8 3 3/8	UEL316D1 UEL316-302D1 UEL316-303D1	170 6.6929	106.4 4.189	81 3.189	45 1.772	3.5 .138	40.5 1.594	65.9 2.594	12.7 .500	119 4.685	M16 X 1.5 5/8-18UNF	27,700	19,400
85 3 1/4	UEL317D1 UEL317-304D1	180 7.0866	109.5 4.311	84.1 3.311	47 1.850	4 .157	42.05 1.656	67.45 2.656	12.7 .500	127 5.000	M16 X 1.5 5/8-18UNF	29,900	21,800
90 3 7/16 3 1/2	UEL318D1 UEL318-307D1 UEL318-308D1	190 7.4803	115.9 4.563	87.3 3.437	49 1.929	4 .157	43.65 1.719	72.25 2.844	14.3 .563	133 5.236	M20 X 1.5 3/4-16UNF	32,100	24,100
95 3 3/4	UEL319D1 UEL319-312D1	200 7.8740	122.3 4.815	93.7 3.689	51 2.008	4 .157	38.9 1.531	83.4 3.283	14.3 .563	140 5.512	M20 X 1.5 3/4-16UNF	34,400	26,800
100 3 15/16 4	UEL320D1 UEL320-315D1 UEL320-400D1	215 8.4646	128.6 5.063	100 3.937	55 2.165	4 .157	50 1.969	78.6 3.094	14.3 .563	146 5.748	M20 X 1.5 3/4-16UNF	38,900	31,700
105	UEL321D1	225	139.7	104.8	57	4	48.4	91.3	17.5	157	M20 X 1.5	41,400	34,400
110	UEL322D1	240	141.3	106.4	59	4	49.2	92.1	17.5	168	M20 X 1.5	46,100	40,200

"A-" at front of part number to denote Ultraclass insert.

BALL BEARING INSERTS – AEL2 SERIES

Bore <i>d</i>	Bearing Number	Nominal Dimensions										Socket Set Screw <i>ds</i>	Basic Load Ratings (lbs)	
		<i>D</i>	<i>L</i>	<i>Bi</i>	<i>Be</i>	<i>r</i>	<i>n</i>	<i>m</i>	<i>G</i>	<i>Di</i>	Dynamic <i>C</i>		Static <i>C₀</i>	
12 ½	AEL201 AEL201-008	40 1.5748	28.6 1.126	19 .748	12 .472	0.6 .024	6.5 .256	22.1 .870	4.8 .189	29 1.14	4.8 1.14	M6 X 0.75 ¼-28UNF	2,160	1,030
15 9/16 5/8	AEL202 AEL202-009 AEL202-010	40 1.5748	28.6 1.126	19 .748	12 .472	0.6 .024	6.5 .256	22.1 .870	4.8 .189	29 1.14	4.8 1.14	M6 X 0.75 ¼-28UNF	2,160	1,030
17 11/16	AEL203 AEL203-011	40 1.5748	28.6 1.126	19 .748	12 .472	0.6 .024	6.5 .256	22.1 .870	4.8 .189	29 1.14	4.8 1.14	M6 X 0.75 ¼-28UNF	2,160	1,030
20 ¾	AEL204 AEL204-012	47 1.8504	31 1.219	21.5 .846	14 .551	1 .039	7.5 .295	23.5 .924	4.8 .189	33 1.31	4.8 1.31	M6 X 0.75 ¼-28UNF	2,890	1,500
25 19/16 7/8 15/16 1	AEL205 AEL205-013 AEL205-014 AEL205-015 AEL205-100	52 2.0472	31 1.219	21.5 .846	15 .591	1 .039	7.5 .295	23.5 .924	4.8 .189	38 1.50	4.8 1.50	M6 X 0.75 ¼-28UNF	3,150	1,760
30 1 1/16 1 1/8 1 3/16 1 1/4	AEL206 AEL206-101 AEL206-102 AEL206-103 AEL206-104	62 2.4409	35.7 1.406	23.8 .937	16 .630	1 .039	9 .354	26.7 1.052	6 .236	44.5 1.75	6 1.75	M8 X 1 5/16-24UNF	4,400	2,540
35 1 1/4 1 5/16 1 3/8 1 7/16	AEL207 AEL207-104 AEL207-105 AEL207-106 AEL207-107	72 2.8346	38.9 1.531	25.4 1.000	17 .669	1.5 .059	9.5 .374	29.4 1.157	6.8 .268	55.5 2.19	6.8 2.19	M10 X 1.25 ¾-24UNF	5,750	3,440
40 1 1/2 1 9/16	AEL208 AEL208-108 AEL208-109	80 3.1496	43.7 1.719	30.2 1.189	18 .709	1.5 .059	11 .433	32.7 1.286	6.8 .268	60 2.37	6.8 2.37	M10 X 1.25 ¾-24UNF	6,550	4,000
45 1 5/8 1 11/16	AEL209 AEL209-110 AEL209-111	85 3.4640	43.7 1.720	30.2 1.189	19 .748	1.5 .059	11 .433	32.7 1.287	6.8 .268	63.5 2.50	6.8 2.50	M10 X 1.25 ¾-24UNF	7,350	4,600
50 1 13/16 1 7/8 1 15/16 2	AEL210W3 AEL210-113 AEL210-114 AEL210-115 AEL210-200	90 3.5433	43.7 1.720	30.2 1.189	20 .787	1.5 .059	11 .433	32.7 1.287	6.8 .268	69.5 2.736	6.8 2.736	M10 X 1.25 ¾-24UNF	7,900	5,200
55 2	AEL211 AEL211-200	100 3.937	48.4 1.906	32.5 1.280	21 .827	2 .079	12 .472	36.4 1.433	8 .315	76 2.992	8 2.992	M10 X 1.25 ¾-24UNF	9,750	6,550



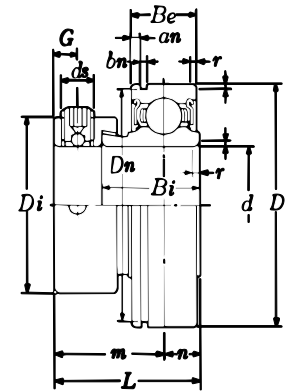
AEL2

Units: Millimeters
INCHES



BALL BEARING INSERTS – AELS2 SERIES

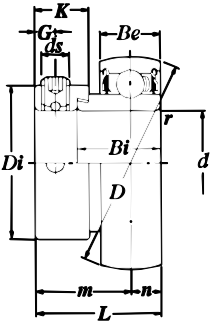
Bore <i>d</i>	Bearing Number	Nominal Dimensions												Socket Set Screw <i>ds</i>	Basic Load Ratings (lbs)	
		<i>D</i>	<i>L</i>	<i>Bi</i>	<i>Be</i>	<i>r</i>	<i>n</i>	<i>m</i>	<i>G</i>	<i>Di</i>	<i>Dn</i>	<i>an</i>	<i>bn</i>		Dynamic <i>C</i>	Static <i>C₀</i>
12 ½	AELS201N AELS201-008N	40 1.5748	28.6 1.126	19 .748	12 .472	0.6 .024	6.5 .256	22.1 .870	4.8 .189	29 1.14	38.1 1.500	1.98 .078	1.5 .059	M6 X 0.75 ¼-28UNF	2,160	1,030
15 9/16 5/8	AELS202N AELS202-009N AELS202-010N	40 1.5748	28.6 1.126	19 .748	12 .472	0.6 .024	6.5 .256	22.1 .870	4.8 .189	29 1.14	38.1 1.500	1.98 .078	1.5 .059	M6 X 0.75 ¼-28UNF	2,160	1,030
17 11/16	AELS203N AELS203-011N	40 1.5748	28.6 1.126	19 .748	12 .472	0.6 .024	6.5 .256	22.1 .870	4.8 .189	29 1.14	38.1 1.500	1.98 .078	1.5 .059	M6 X 0.75 ¼-28UNF	2,160	1,030
20 ¾	AELS204N AELS204-012N	47 1.8504	31 1.219	21.5 .846	14 .551	1 .039	7.5 .295	23.5 .924	4.8 .189	33 1.31	44.6 1.756	2.38 .094	1.5 .059	M6 X 0.75 ¼-28UNF	2,890	1,500
25 19/16 7/8 15/16 1	AELS205N AELS205-013N AELS205-014N AELS205-015N AELS205-100N	52 2.0472	31 1.219	21.5 .846	15 .591	1 .039	7.5 .295	23.5 .924	4.8 .189	38 1.50	49.7 1.958	2.38 .094	1.5 .059	M6 X 0.75 ¼-28UNF	3,150	1,760
30 1 1/16 1 1/8 1 3/16 1 1/4	AELS206N AELS206-101N AELS206-102N AELS206-103N AELS206-104N	62 2.4409	35.7 1.406	23.8 .937	16 .630	1 .039	9 .354	26.7 1.052	6 .236	44.5 1.75	59.6 2.347	3.18 .125	2.05 .081	M8 X 1 5/16-24UNF	4,400	2,540
35 1 1/4 1 5/16 1 3/8 1 7/16	AELS207N AELS207-104N AELS207-105N AELS207-106N AELS207-107N	72 2.8346	38.9 1.531	25.4 1.000	17 .669	1.5 .059	9.5 .374	29.4 1.157	6.8 .268	55.5 2.19	68.8 2.709	3.18 .125	2.05 .081	M10 X 1.25 ¾-24UNF	5,750	3,440
40 1 1/2 1 9/16	AELS208N AELS208-108N AELS208-109N	80 3.1496	43.7 1.719	30.2 1.189	18 .709	1.5 .059	11 .433	32.7 1.286	6.8 .268	60 2.37	76.8 3.024	3.18 .125	2.05 .081	M10 X 1.25 ¾-24UNF	6,550	4,000
45 1 5/8 1 11/16 1 3/4	AELS209N AELS209-110N AELS209-111N AELS209-112N	85 3.4645	43.7 1.720	30.2 1.189	19 .748	1.5 .059	11 .433	32.7 1.286	6.8 .268	63.5 2.50	81.8 3.221	3.18 .125	2.05 .081	M10 X 1.25 ¾-24UNF	7,350	4,600
50 1 13/16 1 7/8 1 15/16 2	AELS210N AELS210-113N AELS210-114N AELS210-115N AELS210-200N	90 3.5433	43.7 1.720	30.2 1.189	20 .787	2.0 .079	1.5 .059	32.7 1.286	6.8 .268	69.5 2.73	86.7 3.417	3.18 .125	2.85 .112	M10 X 1.25 ¾-24UNF	7,900	5,200
55 2	AELS211N AELS211-200N	100 3.9370	48.4 1.906	32.5 1.279	21 .826	2.3 .091	2.3 .091	36.4 1.433	8.0 .315	76.0 2.992	96.8 3.811	3.18 .125	2.85 .112	M10 X 1.25 ¾-24UNF	9,750	6,550



AELS2

NTN
SERIES
JEL2
ECCENTRIC
LOCKING
COLLAR
TYPE

Units: **Millimeters**
INCHES



BALL BEARING INSERTS

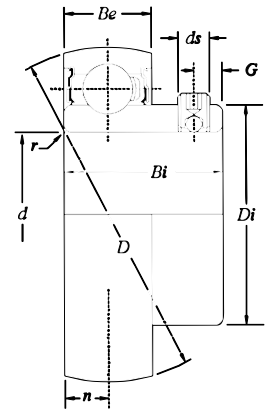
Bore <i>d</i>	Bearing Number	Nominal Dimensions										Socket Set Screws <i>ds</i>	Basic Load Ratings (lbs)	
		<i>D</i>	<i>L</i>	<i>Bi</i>	<i>Be</i>	<i>r</i>	<i>n</i>	<i>m</i>	<i>G</i>	<i>Di</i>	Dynamic <i>C</i>		Static <i>C₀</i>	
12 ½	JEL201 JEL201-008	40 1.5748	28.6 1.126	19 .748	13 .512	1 .039	6.5 .256	22.1 .870	4.8 .189	29 1.142	M6 X 0.75 ¼-28UNF	2,160	1,030	
15 9/16 5/8	JEL202 JEL202-009 JEL202-010	40 1.5748	28.6 1.126	19 .748	13 .512	1 .039	6.5 .256	22.1 .870	4.8 .189	29 1.142	M6 X 0.75 ¼-28UNF	2,160	1,030	
17 11/16	JEL203 JEL203-011	40 1.5748	28.6 1.126	19 .748	13 .512	1 .039	6.5 .256	22.1 .870	4.8 .189	29 1.142	M6 X 0.75 ¼-28UNF	2,160	1,030	
20 ¾	JEL204 JEL204-012	47 1.8504	31.0 1.220	21.5 .846	15 .591	1.5 .059	7.5 .295	23.5 .925	4.8 .189	33 1.299	M6 X 0.75 ¼-28UNF	2,890	1,500	
25 13/16 7/8 15/16 1	JEL205 JEL205-013 JEL205-014 JEL205-015 JEL205-100	52 2.0472	31.0 1.220	21.5 .846	15 .591	1.5 .059	7.5 .295	23.5 .925	4.8 .189	38 1.496	M6 X 0.75 ¼-28UNF	3,150	1,770	
30 1 1/16 1 1/8 1 3/16 1 1/4	JEL206 JEL206-101 JEL206-102 JEL206-103 JEL206-104	62 2.4409	35.7 1.406	23.8 .937	18 .709	1.5 .059	9 .354	26.7 1.051	6 .236	44.5 1.752	M8 X 1 5/16-24UNF	4,400	2,540	
35 1 1/4 1 5/16 1 3/8 1 7/16	JEL207 JEL207-104 JEL207-105 JEL207-106 JEL207-107	72 2.8346	38.9 1.531	25.4 1.000	19 .748	2 .079	9.5 .374	29.4 1.157	6.8 .268	55.5 2.185	M10 X 1.25 3/8-24UNF	5,750	3,450	
40 1 1/2 1 9/16	JEL208 JEL208-108 JEL208-109	80 3.1496	43.7 1.720	30.2 1.189	22 .866	2 .079	11 .433	32.7 1.287	6.8 .268	60 2.362	M10 X 1.25 3/8-24UNF	6,550	4,000	
45 1 1/16 1 11/16 1 3/4	JEL209 JEL209-110 JEL209-111 JEL209-112	85 3.3465	43.7 1.720	30.2 1.189	22 .866	2 .079	11 .433	32.7 1.287	6.8 .268	63.5 2.50	M10 X 1.25 3/8-24UNF	7,380	4,580	
50 1 7/8 1 15/16	JEL210 JEL210-114 JEL210-115	90 3.5433	43.7 1.720	30.2 1.189	22 .866	2 .079	11 .433	32.7 1.287	6.8 .268	69.5 2.74	M10 X 1.25 3/8-24UNF	7,930	5,220	
55 2 2 3/16	JEL211 JEL211-200 JEL211-203	100 3.9370	48.4 1.906	32.5 1.280	24 .945	2.5 .098	12 .472	36.4 1.433	8 .315	76 3.00	M10 X 1.25 3/8-24UNF	9,810	6,570	
60 2 1/4	JEL212 JEL212-204	110 4.3307	53.1 2.091	37.2 1.465	27 1.063	2.5 .098	13.5 .531	39.6 1.559	8 .315	84 3.31	M10 X 1.25 3/8-24UNF	11,800	8,150	

BALL BEARING INSERTS

Units: Millimeters
INCHES



Bore <i>d</i>	Bearing Number	Nominal Dimensions										Socket Set Screw <i>ds</i>	Basic Load Ratings (lbs)	
		<i>D</i>	<i>L</i>	<i>Bi</i>	<i>Be</i>	<i>r</i>	<i>n</i>	<i>m</i>	<i>G</i>	<i>Di</i>	Dynamic <i>C</i>		Static <i>C₀</i>	
20 ¾	REL204 REL204-012	47 1.8504	43.7 1.720	34.2 1.3465	15 .591	1.5 .059	17.1 .673	26.6 1.047	4.8 .189	33 1.31	M6 X 0.75 ¼-28UNF	2,890	1,500	
25 1 3/16 7/8 1 5/16 1	REL205 REL205-013 REL205-014 REL205-015 REL205-100	52 2.0472	44.4 1.748	34.9 1.3740	15 .591	1.5 .059	17.45 .687	26.9 1.061	4.8 .189	38 1.50	M6 X 0.75 ¼-28UNF	3,150	1,770	
30 1 1/16 1 1/8 1 3/16 1 1/4	REL206 REL206-101 REL206-102 REL206-103 REL206-104	62 2.4409	48.4 1.906	36.5 1.4370	18 .709	1.5 .059	18.25 .719	30.2 1.188	6 .236	44.5 1.75	M8 X 1 5/16-24UNF	4,400	2,540	
35 1 1/4 1 5/16 1 3/8 1 7/16	REL207 REL207-104 REL207-105 REL207-106 REL207-107	72 2.8346	51.1 2.012	37.6 1.4803	19 .748	2 .079	18.8 .740	32.3 1.272	6.8 .268	55.5 2.19	M10 X 1.25 3/8-28UNF	5,750	3,450	
40 1 1/2 1 9/16	REL208 REL208-108 REL208-109	80 3.1496	56.3 2.217	42.8 1.6850	22 .866	2 .079	21.4 .843	34.9 1.375	6.8 .268	60 2.37	M10 X 1.25 3/8-28UNF	6,550	4,000	
45 1 5/8 1 11/16 1 3/4	REL209 REL209-110 REL209-111 REL209-112	85 3.3465	56.3 2.217	42.8 1.6850	22 .866	2 .079	21.4 .843	34.9 1.375	6.8 .268	63.5 2.50	M10 X 1.25 3/8-28UNF	7,350	4,600	
50 1 13/16 1 7/8 1 15/16 2	REL210 REL210-113 REL210-114 REL210-115 REL210-200	90 3.5433	62.7 2.469	49.2 1.9370	22 .866	2 .079	24.6 .969	38.1 1.501	6.8 .268	69.5 2.74	M10 X 1.25 3/8-28UNF	7,900	5,200	
55 2 2 1/16 2 1/8 2 3/16	REL211 REL211-200 REL211-201 REL211-202 REL211-203	100 3.9370	71.4 2.811	55.5 2.1850	24 .945	2.5 .098	27.75 1.093	43.7 1.719	8 .315	76 3.00	M10 X 1.25 3/8-28UNF	9,750	6,550	
60 2 1/4 2 5/16 2 3/8 2 7/16	REL212 REL212-204 REL212-205 REL212-206 REL212-207	110 4.3307	77.8 3.063	61.9 2.4370	27 1.063	2.5 .098	30.95 1.219	46.9 1.845	8 .315	84 3.31	M10 X 1.25 3/8-28UNF	11,800	8,150	





Units: Millimeters
INCHES



BALL BEARING INSERTS											
Bore <i>d</i> ₁	Bearing and adapter number	Nominal dimensions								Basic Load Ratings (lbs)	
		<i>d</i>	<i>D</i>	<i>B</i> _i	<i>B</i> _e	<i>D</i> _i	<i>L</i>	<i>C</i>	<i>D</i> ₃	Dynamic <i>C</i>	Static <i>C</i> ₀
20	UK205D1 ; H 2305X	25	52	23	18	33.9	35	8	38	3,150	1,770
3/4	UK205D1 ; HE2305	0.9843	2.0472	0.906	0.709	1.335	1.378	0.315	1.496		
25	UK206D1 ; H 2306X	30	62	26	20	40.8	38	8	45	4,400	2,540
7/8	UK206D1 ; HS2306	1.1811	2.4409	1.024	0.787	1.606	1.496	0.315	1.772		
1	UK206D1 ; HE2306X										
30	UK207D1 ; H 2307X	35	72	29	22	46.8	43	9	52	5,750	3,450
1 1/8	UK207D1 ; HS2307	1.3780	2.8346	1.142	0.866	1.843	1.693	0.354	2.047		
35	UK208D1 ; H 2308X	40	80	31	24	53	46	10	58	6,550	4,000
1 1/4	UK208D1 ; HE2308X	1.5748	3.1496	1.220	0.945	2.087	1.811	0.394	2.283		
1 3/8	UK208D1 ; HS2308X										
40	UK209D1 ; H 2309X	45	85	31	24	57.5	50	11	65	7,350	4,600
1 7/16	UK209D1 ; HA2309	1.7717	3.3465	1.220	0.945	2.264	1.969	0.433	2.559		
1 1/2	UK209D1 ; HE2309X										
1 5/8	UK209D1 ; HS2309X										
45	UK210D1 ; H 2310X	50	90	32	25	62.4	55	12	70	7,900	5,200
1 5/8	UK210D1 ; HS2310	1.9685	3.5433	1.260	0.984	2.457	2.165	0.472	2.756		
1 11/16	UK210D1 ; HA2310										
1 3/4	UK210D1 ; HE2310X										
50	UK211D1 ; H 2311X	55	100	35	27	69	59	12	75	9,750	6,550
1 7/8	UK211D1 ; HS2311	2.1654	3.937	1.378	1.063	2.717	2.323	0.472	2.953		
1 15/16	UK211D1 ; HA2311										
2	UK211D1 ; HE2311XY										
55	UK212D1 ; H 2312X	60	110	38	30	77	62	13	80	11,800	8,150
2 1/8	UK212D1 ; HS2312X	2.3622	4.3307	1.496	1.181	3.031	2.441	0.512	3.150		
60	UK213D1 ; H 2313X	65	120	40	32	82.5	65	14	85	12,900	9,000
2 3/16	UK213D1 ; HA2313	2.5591	7.7244	1.575	1.260	3.248	2.559	0.551	3.346		
2 1/4	UK213D1 ; HE2313										
2 3/8	UK213D1 ; HS2313										
65	UK215D1 ; H 2315X	75	130	44	34	93	73	15	98	14,900	11,100
2 7/16	UK215D1 ; HA2315	2.9528	5.1181	1.732	1.339	3.661	2.874	0.591	3.858		
2 1/2	UK215D1 ; HE2315										
70	UK216D1 ; H 2316X	80	140	45	35	98.1	78	17	105	16,300	11,900
2 11/16	UK216D1 ; HA2316	3.1496	5.5118	1.772	1.378	3.862	3.071	0.669	4.134		
2 3/4	UK216D1 ; HE2316										
75	UK217D1 ; H 2317X	85	150	50	36	106.1	82	18	110	18,700	14,300
2 15/16	UK217D1 ; HA2317	3.3465	5.9055	1.905	1.417	4.177	3.228	0.709	4.331		
3	UK217D1 ; HE2317										
80	UK218D1 ; H 2318X	90	160	60	37	111.6	86	18	120	21,600	16,100
3 3/16	UK218D1 ; HA2318	3.5433	6.2992	2.362	1.457	4.394	3.386	0.709	4.724		

These numbers indicate re-lubricatable type. If maintenance free type is needed, please order without suffix "D1".

Adapter number with suffix "X" means a narrow slot type adapter sleeve. In this case the lock washer with the straight inner prong should be used.

For HE2311XY, screw thread pitch different from the standard is applied, because of the thin thread section of sleeve. To distinguish it, a suffix "Y" is added.



Bearing Series → **AS2 SERIES**

Bearing Number → AS201 **Weight (lbs)** → .22

BALL BEARING INSERTS **LBS.**

AS2 SERIES	AEL206-101.....	.74	JEL210.....	1.86	UK213D1: HE2313.....	4.70
AS201.....	AEL206-102.....	.73	JEL210-114.....	1.99	UK213D1: HS2313.....	4.38
AS201-008.....	AEL206-103.....	.66	JEL210-115.....	1.91	UK215D1: H2315X.....	5.64
AS202.....	AEL206-104.....	.61	JEL211.....	2.51	UK215D1: HA2315.....	6.04
AS202-009.....	AEL207.....	1.08	JEL211-200.....	2.78	UK215D1: HE2315.....	5.84
AS202-010.....	AEL207-104.....	1.15	JEL211-203.....	2.47	UK216D1: H2316X.....	7.12
AS203.....	AEL207-105.....	1.10	JEL212.....	3.48	UK216D1: HA2316.....	7.38
AS203-011.....	AEL207-106.....	1.04	JEL212-204.....	3.70	UK216D1: HE2316.....	7.14
AS204.....	AEL207-107.....	.98			UK217D1: H2317X.....	8.66
AS204-012.....	AEL208.....	1.46	AR SERIES		UK217D1: HA2317.....	8.73
AS205.....	AEL208-108.....	1.41	AR201.....	.23	UK217D1: HE2317.....	8.46
AS205-013.....	AEL208-109.....	1.34	AR201-008.....	.22	UK218D1: H2318X.....	10.45
AS205-014.....			AR202.....	.21	UK218D1: HA2318.....	11.00
AS205-015.....	AELS2 SERIES		AR202-009.....	.21		
AS205-100.....	AELS201N.....	.26	AR202-010.....	.20	REL SERIES	
AS206.....	AELS201-008N.....	.26	AR203.....	.19	REL204.....	.35
AS206-101.....	AELS202N.....	.24	AR203-011.....	.19	REL204-012.....	.38
AS206-102.....	AELS202-009N.....	.26	AR204.....	.31	REL205.....	.40
AS206-103.....	AELS202-010N.....	.24	AR204-012.....	.33	REL205-013.....	.49
AS206-104.....	AELS203N.....	.22	AR205.....	.35	REL205-014.....	.46
AS207.....	AELS203-011N.....	.23	AR205-013.....	.42	REL205-015.....	.42
AS207-104.....	AELS204N.....	.37	AR205-014.....	.40	REL205-100.....	.38
AS207-105.....	AELS204-012N.....	.35	AR205-015.....	.38	REL206.....	.66
AS207-106.....	AELS205N.....	.44	AR205-100.....	.33	REL206-101.....	.75
AS207-107.....	AELS205-013N.....	.51	AR206.....	.60	REL206-102.....	.71
AS208.....	AELS205-014N.....	.48	AR206-101.....	.66	REL206-103.....	.66
AS208-108.....	AELS205-015N.....	.45	AR206-102.....	.64	REL206-104.....	.60
AS208-109.....	AELS205-100N.....	.42	AR206-103.....	.60	REL207.....	.93
	AELS206N.....	.68	AR206-104.....	.55	REL207-104.....	1.04
	AELS206-101N.....	.74	AR207.....	.88	REL207-105.....	.99
ASS2 SERIES	AELS206-102N.....	.73	AR207-104.....	.99	REL207-106.....	.93
ASS201N.....	AELS206-103N.....	.66	AR207-105.....	.93	REL207-107.....	.88
ASS201-008N.....	AELS206-104N.....	.61	AR207-106.....	.88	REL208.....	1.28
ASS202N.....	AELS207N.....	1.08	AR207-107.....	.84	REL208-108.....	1.37
ASS202-009N.....	AELS207-104N.....	1.15	AR208.....	1.24	REL208-109.....	1.30
ASS202-010N.....	AELS207-105N.....	1.10	AR208-108.....	1.32	REL209.....	1.37
ASS203N.....	AELS207-106N.....	1.04	AR208-109.....	1.26	REL209-110.....	1.54
ASS203-011N.....	AELS207-107N.....	.98	AR209.....	1.35	REL209-111.....	1.54
ASS204N.....	AELS208N.....	1.46	AR209-110.....	1.52	REL209-112.....	1.39
ASS204-012N.....	AELS208-108N.....	1.41	AR209-111.....	1.46	REL210.....	1.61
ASS205N.....	AELS208-109N.....	1.34	AR209-112.....	1.37	REL210-113.....	1.85
ASS205-013N.....			AR210.....	1.48	REL210-114.....	1.76
ASS205-014N.....	JEL2 SERIES		AR210-113.....	1.70	REL210-115.....	1.65
ASS205-015N.....	JEL201.....	.26	AR210-114.....	1.61	REL210-200.....	1.57
ASS205-100N.....	JEL201-008.....	.25	AR210-115.....	1.52	REL211.....	2.25
ASS206N.....	JEL202.....	.22	AR210-200.....	1.43	REL211-200.....	2.58
ASS206-101N.....	JEL202-009.....	.24	UK2 SERIES		REL211-201.....	2.47
ASS206-102N.....	JEL202-010.....	.22	UK205D1: H2305X.....	.55	REL211-202.....	2.34
ASS206-103N.....	JEL203.....	.20	UK205D1: HE2305.....	.57	REL211-203.....	2.21
ASS206-104N.....	JEL203-011.....	.20	UK206D1: H2306X.....	.79	REL212.....	3.13
ASS207N.....	JEL204.....	.35	UK206D1: HS2306.....	.86	REL212-204.....	3.42
ASS207-104N.....	JEL204-012.....	.37	UK206D1: HE2306X.....	.78	REL212-205.....	3.26
ASS207-105N.....	JEL205.....	.42	UK207D1: H2307X.....	1.27	REL212-206.....	3.11
ASS207-106N.....	JEL205-013.....	.50	UK207D1: HS2307.....	1.30	REL212-207.....	2.93
ASS207-107N.....	JEL205-014.....	.47	UK208D1: H2308X.....	1.63		
ASS208N.....	JEL205-015.....	.44	UK208D1: HE2308X.....	1.77	UC2 SERIES	
ASS208-108N.....	JEL205-100.....	.41	UK208D1: HS2308X.....	1.63	UC201D1.....	.46
ASS208-109N.....	JEL206.....	.71	UK209D1: H2309X.....	1.83	UC201-008D1.....	.46
	JEL206-101.....	.78	UK209D1: HA2309.....	2.01	UC202D1.....	.44
AEL2 SERIES	JEL206-102.....	.73	UK209D1: HE2309X.....	1.93	UC202-009D1.....	.44
AEL201.....	JEL206-103.....	.69	UK209D1: HS2309X.....	1.76	UC202-010D1.....	.42
AEL201-008.....	JEL206-104.....	.64	UK210D1: H2310X.....	2.14	UC203D1.....	.40
AEL202.....	JEL207.....	1.10	UK210D1: HS2310.....	2.38	UC203-011D1.....	.39
AEL202-009.....	JEL207-104.....	1.22	UK210D1: HA2310.....	2.28	UC204D1.....	.37
AEL202-010.....	JEL207-105.....	1.16	UK210D1: HE2310X.....	2.18	UC204-012D1.....	.39
AEL203.....	JEL207-106.....	1.11	UK211D1: H2311X.....	2.78	UC205D1.....	.44
AEL203-011.....	JEL207-107.....	1.05	UK211D1: HS2311.....	2.96	UC205-013D1.....	.53
AEL204.....	JEL208.....	1.43	UK211D1: HA2311.....	2.84	UC205-014D1.....	.51
AEL204-012.....	JEL208-108.....	1.53	UK211D1: HE2311XY.....	2.70	UC205-015D1.....	.46
AEL205.....	JEL208-109.....	1.46	UK212D1: H2312X.....	3.51	UC205-100D1.....	.44
AEL205-013.....	JEL209.....	1.69	UK212D1: HS2312.....	3.60	UC206D1.....	.73
AEL205-014.....	JEL209-110.....	1.87	UK213D1: H2313X.....	4.41	UC206-101D1.....	.82
AEL205-015.....	JEL209-111.....	1.79	UK213D1: HA2313X.....	4.86	UC206-102D1.....	.77
AEL205-100.....	JEL209-112.....	1.72			UC206-103D1.....	.73
AEL206.....						

Continued next page ...



Bearing Series → **AS2 SERIES**

Bearing Number → AS20122 ← Weight (lbs)

Bearing Number

Weight (lbs)

BALL BEARING INSERTS **LBS.**

UC206-104D1.....	.66	UCX13-208D1.....	5.60	UC320-400D1.....	23.4	UCS309D1.....	2.93
UC207D1.....	1.08	UCX13-209D1.....	5.38	UC321D1.....	26.9	UCS309-110D1.....	3.17
UC207-104D1.....	1.21	UCX14D1.....	5.45	UC322D1.....	31.5	UCS309-111D1.....	3.09
UC207-105D1.....	1.15	UCX14-210D1.....	5.93	UC324D1.....	40.8	UCS309-112D1.....	2.98
UC207-106D1.....	1.08	UCX14-211D1.....	5.69	UC326D1.....	50.7	UCS310D1.....	3.79
UC207-107D1.....	1.01	UCX14-212D1.....	5.47	UC328D1.....	62.8	UCS310-114D1.....	3.99
UC208D1.....	1.43	UCX15D1.....	6.86	UCS2 SERIES		UCS310-115D1.....	3.85
UC208-108D1.....	1.52	UCX15-213D1.....	7.43	UCS201D1N.....	.46	UCS311D1.....	4.74
UC208-109D1.....	1.46	UCX15-214D1.....	7.19	UCS201-008D1N.....	.46	UCS311-200D1.....	5.14
UC209D1.....	1.54	UCX15-215D1.....	6.92	UCS202D1N.....	.44	UCS311-202D1.....	4.85
UC209-110D1.....	1.76	UCX15-300D1.....	6.66	UCS202-009D1N.....	.44	UCS311-203D1.....	4.68
UC209-111D1.....	1.68	UCX16D1.....	8.36	UCS202-010D1N.....	.42	UCS312D1.....	5.95
UC209-112D1.....	1.57	UCX16-302D1.....	8.47	UCS203D1N.....	.40	UCS312-204D1.....	6.27
UC210D1.....	1.76	UCX16-303D1.....	8.18	UCS203-011D1N.....	.39	UCS312-206D1.....	5.89
UC210-113D1.....	2.03	UCX17D1.....	10.6	UCS204D1N.....	.37	UCS312-207D1.....	5.72
UC210-114D1.....	1.92	UCX17-305D1.....	10.8	UCS204-012D1N.....	.39	UCS313D1.....	7.43
UC210-115D1.....	1.81	UCX17-307D1.....	10.1	UCS205D1N.....	.44	UCS313-208D1.....	7.63
UC210-200D1.....	1.69	UCX18D1.....	12.2	UCS205-013D1N.....	.53	UCS314D1.....	8.89
UC211D1.....	2.38	UCX18-308D1.....	12.4	UCS205-014D1N.....	.51	UCS314-211D1.....	9.13
UC211-200D1.....	2.71	UCX20D1.....	19.7	UCS205-015D1N.....	.46	UCS314-212D1.....	8.91
UC211-201D1.....	2.60	UCX20-314D1.....	18.4	UCS206D1N.....	.73	UCS315D1.....	10.8
UC211-202D1.....	2.46	UCX20-315D1.....	19.7	UCS206-101D1N.....	.82	UCS315-215D1.....	10.9
UC211-203D1.....	2.34	UCX20-400D1.....	19.2	UCS206-102D1N.....	.77	UCS315-300D1.....	10.6
UC212D1.....	3.37	UC3 SERIES		UCS206-103D1N.....	.73	UCS316D1.....	12.7
UC212-204D1.....	3.66	UC305D1.....	.77	UCS207D1N.....	1.08	UCS316-302D1.....	12.7
UC212-206D1.....	3.33	UC305-014D1.....	.77	UCS207-104D1N.....	1.21	UCS316-303D1.....	12.5
UC212-207D1.....	3.17	UC305-015D1.....	.77	UCS207-105D1N.....	1.15	UCS317D1.....	15.2
UC213D1.....	4.08	UC305-100D1.....	.77	UCS207-106D1N.....	1.08	UCS317-304D1.....	15.7
UC213-208D1.....	4.26	UC306D1.....	1.23	UCS207-107D1N.....	1.01	UCS318D1.....	17.2
UC214D1.....	4.63	UC306-102D1.....	1.23	UCS208D1N.....	1.43	UCS318-307D1.....	17.8
UC214-211D1.....	4.87	UC306-103D1.....	1.23	UCS208-108D1N.....	1.52	UCS318-308D1.....	17.4
UC214-212D1.....	4.65	UC307D1.....	1.57	UCS208-109D1N.....	1.46	UCS319D1.....	19.8
UC215D1.....	5.18	UC307-104D1.....	1.57	UCS209D1N.....	1.54	UCS319-312D1.....	19.7
UC215-215D1.....	5.25	UC307-105D1.....	1.57	UCS209-110D1N.....	1.76	UCS320D1.....	24.5
UC215-300D1.....	4.98	UC307-106D1.....	1.57	UCS209-111D1N.....	1.68	UCS320-315D1.....	24.5
UC216D1.....	6.17	UC307-107D1.....	1.57	UCS209-112D1N.....	1.57	UCS320-400D1.....	24.1
UC216-302D1.....	6.28	UC308D1.....	2.12	UCS210D1N.....	1.76	UCS321D1.....	27.8
UC217D1.....	7.43	UC308-108D1.....	2.12	UCS210-113D1N.....	2.03	UCS322D1.....	32.4
UC217-304D1.....	7.92	UC309D1.....	2.82	UCS210-114D1N.....	1.92	UCS324D1.....	41.9
UC218D1.....	9.61	UC309-110D1.....	2.82	UCS210-115D1N.....	1.81	UCS326D1.....	52.0
UC218-308D1.....	9.88	UC309-111D1.....	2.82	UCS211D1N.....	2.38	UCS328D1.....	64.4
UCX SERIES		UC309-112D1.....	2.82	UCS211-200D1N.....	2.71	UEL2 SERIES	
UCX05D1.....	.86	UC310D1.....	3.64	UCS211-201D1N.....	2.60	UEL204D1.....	.51
UCX05-013D1.....	.97	UC310-114D1.....	3.64	UCS211-202D1N.....	2.46	UEL204-012D1.....	.45
UCX05-014D1.....	.93	UC310-115D1.....	3.64	UCS211-203D1N.....	2.34	UEL205D1.....	.60
UCX05-015D1.....	.88	UC311D1.....	4.56	UCS212D1.....	3.51	UEL205-013D1.....	.61
UCX05-100D1.....	.84	UC311-200D1.....	4.56	UCS212-204D1.....	3.78	UEL205-014D1.....	.58
UCX06D1.....	1.50	UC311-202D1.....	4.56	UCS212-206D1.....	3.45	UEL205-015D1.....	.55
UCX06-101D1.....	1.61	UC311-203D1.....	4.56	UCS212-207D1.....	3.29	UEL205-100D1.....	.51
UCX06-102D1.....	1.54	UC312D1.....	5.73	UCS213D1.....	4.23	UEL206D1.....	.99
UCX06-103D1.....	1.50	UC312-204D1.....	5.73	UCS213-208D1.....	4.41	UEL206-101D1.....	.94
UCX07D12.....	1.81	UC312-206D1.....	5.73	UCS214D1.....	4.78	UEL206-102D1.....	.89
UCX07-105D1.....	1.87	UC312-207D1.....	5.73	UCS215D1.....	5.36	UEL206-103D1.....	.84
UCX07-106D1.....	1.81	UC313D1.....	7.17	UCS216D1.....	6.37	UEL206-104D1.....	.80
UCX07-107D1.....	1.74	UC313-208D1.....	7.17	UCS217D1.....	7.65	UEL207D1.....	1.32
UCX08D1.....	2.05	UC314D1.....	8.58	UCS218D1.....	9.83	UEL207-104D1.....	1.45
UCX08-108D1.....	2.16	UC314-211D1.....	8.58	UCS3 SERIES		UEL207-105D1.....	1.40
UCX08-109D1.....	2.07	UC314-212D1.....	8.58	UCS305D1.....	.82	UEL207-106D1.....	1.35
UCX09D1.....	2.21	UC315D1.....	10.4	UCS305-014D1.....	.90	UEL207-107D1.....	1.28
UCX09-110D1.....	2.43	UC315-215D1.....	10.4	UCS305-015D1.....	.83	UEL208D1.....	1.74
UCX09-111D1.....	2.34	UC315-300D1.....	10.4	UCS305-100D1.....	.81	UEL208-108D1.....	1.90
UCX09-112D1.....	2.25	UC316D1.....	12.2	UCS306D1.....	1.28	UEL208-109D1.....	1.82
UCX10D1.....	2.98	UC316-302D1.....	12.2	UCS306-102D1.....	1.33	UEL209D1.....	1.87
UCX10-114D1.....	3.15	UC316-303D1.....	12.2	UCS306-103D1.....	1.28	UEL209-110D1.....	2.05
UCX10-115D1.....	3.04	UC317D1.....	14.7	UCS307D1.....	1.63	UEL209-111D1.....	1.97
UCX11D1.....	4.19	UC317-304D1.....	14.7	UCS307-104D1.....	1.77	UEL209-112D1.....	1.88
UCX11-201D1.....	4.43	UC318D1.....	16.7	UCS307-105D1.....	1.70	UEL210D1.....	2.16
UCX11-202D1.....	4.30	UC318-307D1.....	16.7	UCS307-106D1.....	1.64	UEL210-113D1.....	2.46
UCX11-203D1.....	4.12	UC318-308D1.....	16.7	UCS307-107D1.....	1.57	UEL210-114D1.....	2.36
UCX12D1.....	5.01	UC319D1.....	19.2	UCS308D1.....	2.21	UEL210-115D1.....	2.25
UCX12-206D1.....	4.96	UC319-312D1.....	19.2	UCS308-108D1.....	2.32	UEL210-200D1.....	2.09
UCX12-207D1.....	4.81	UC320D1.....	23.8			UEL211D1.....	2.91
UCX13D1.....	5.40	UC320-315D1.....	23.8			UEL211-200D1.....	3.28



BALL BEARING INSERTS		LBS.
UEL211-201D1	3.12	
UEL211-202D1	3.02	
UEL211-203D1	2.90	
UEL212D1	4.12	
UEL212-204D1	4.38	
UEL212-206D1	4.05	
UEL212-207D1	3.88	
UEL3 SERIES		
UEL305D195	
UEL305-014D1	1.05	
UEL305-015D1	1.01	
UEL305-100D196	
UEL306D1	1.52	
UEL306-102D1	1.51	
UEL306-103D1	1.45	
UEL307D1	1.76	
UEL307-104D1	1.92	
UEL307-105D1	1.84	
UEL307-106D1	1.77	
UEL307-107D1	1.69	
UEL308D1	2.38	
UEL308-108D1	2.58	
UEL309D1	3.20	
UEL309-110D1	3.36	
UEL309-111D1	3.26	
UEL309-112D1	3.15	
UEL310D1	4.10	
UEL310-114D1	4.29	
UEL310-115D1	4.15	
UEL311D1	5.16	
UEL311-200D1	5.58	
UEL311-202D1	5.25	
UEL311-203D1	5.08	
UEL312D1	6.48	
UEL312-204D1	6.80	
UEL312-206D1	6.48	
UEL312-207D1	6.19	
UEL313D1	8.09	
UEL313-208D1	8.49	
UEL314D1	9.70	
UEL314-211D1	10.2	
UEL314-212D1	9.96	
UEL315D1	11.8	
UEL315-215D1	12.7	
UEL315-300D1	12.5	
UEL316D1	14.8	
UEL316-302D1	14.6	
UEL316-303D1	14.9	
UEL317D1	17.6	
UEL317-304D1	17.7	
UEL318D1	20.1	
UEL318-307D1	20.7	
UEL318-308D1	20.2	
UEL319D1	22.9	
UEL319-312D1	22.6	
UEL320D1	28.7	
UEL320-315D1	27.6	
UEL320-400D1	27.0	
UEL321D1	32.2	
UEL322D1	37.9	



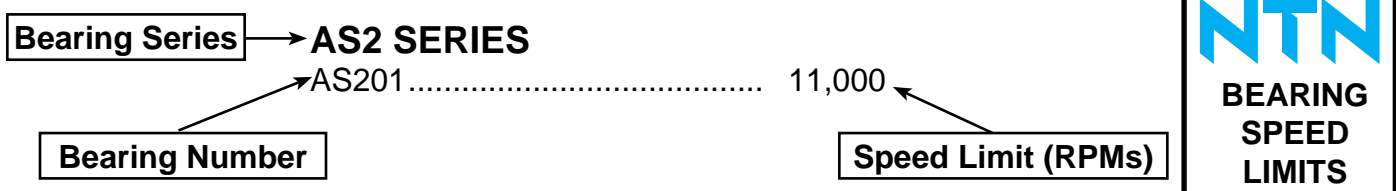
Bearing Series → **AS2 SERIES**

AS201 11,000

Bearing Number

Speed Limit (RPMs)

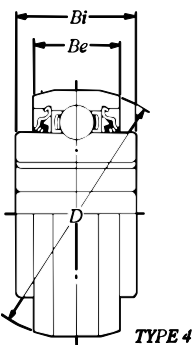
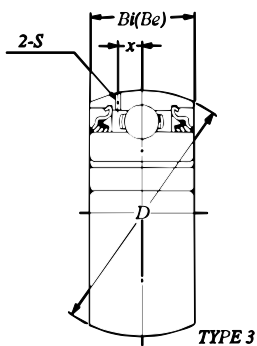
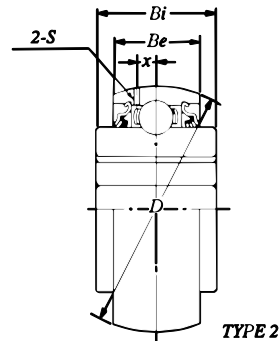
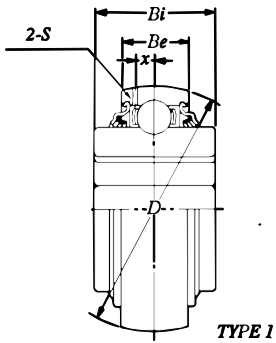
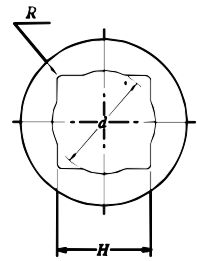
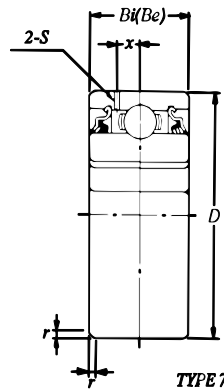
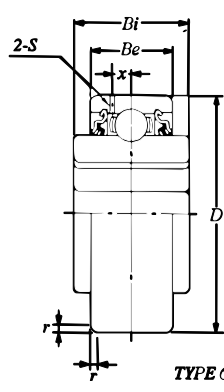
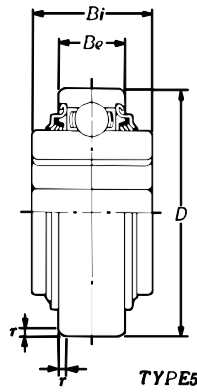
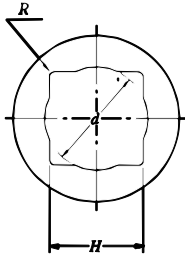
BALL BEARING INSERTS				RPMs			
AS2 SERIES							
AS201.....	11,000	AEL206-101.....	4,900	JEL210.....	3,100	UK213D1: HE2313.....	2,400
AS201-008.....	11,000	AEL206-102.....	4,900	JEL210-114.....	3,100	UK213D1: HS2313.....	2,400
AS202.....	10,000	AEL206-103.....	4,900	JEL210-115.....	3,100	UK215D1: H2315X.....	2,100
AS202-009.....	10,000	AEL206-104.....	4,900	JEL211.....	2,900	UK215D1: HA2315.....	2,100
AS202-010.....	10,000	AEL207.....	4,200	JEL211-200.....	2,900	UK215D1: HE2315.....	2,100
AS203.....	8,000	AEL207-104.....	4,200	JEL211-203.....	2,900	UK216D1: H2316X.....	2,000
AS203-011.....	8,000	AEL207-105.....	4,200	JEL212.....	2,500	UK216D1: HA2316.....	2,000
AS204.....	6,700	AEL207-106.....	4,200	JEL212-204.....	2,500	UK216D1: HE2316.....	2,000
AS204-012.....	6,700	AEL207-107.....	4,200			UK217D1: H2317X.....	1,900
AS205.....	5,900	AEL208.....	3,700	AR SERIES		UK217D1: HA2317.....	1,900
AS205-013.....	5,900	AEL208-108.....	3,700	AR201.....	11,000	UK217D1: HE2317.....	1,900
AS205-014.....	5,900	AEL208-109.....	3,700	AR201-008.....	11,000	UK218D1: H2318X.....	1,700
AS205-015.....	5,900			AR202.....	10,000	UK218D1: HA2318.....	1,700
AS205-100.....	5,900	AELS2 SERIES		AR202-009.....	10,000		
AS206.....	4,900	AELS201N.....	11,000	AR202-010.....	10,000	REL SERIES	
AS206-101.....	4,900	AELS201-008N.....	11,000	AR203.....	8,000	REL204.....	6,700
AS206-102.....	4,900	AELS202N.....	10,000	AR203-011.....	8,000	REL204-012.....	6,700
AS206-103.....	4,900	AELS202-009N.....	10,000	AR204.....	6,700	REL205.....	5,900
AS206-104.....	4,900	AELS202-010N.....	10,000	AR204-012.....	6,700	REL205-013.....	5,900
AS207.....	4,200	AELS203N.....	8,000	AR205.....	5,900	REL205-014.....	5,900
AS207-104.....	4,200	AELS203-011N.....	8,000	AR205-013.....	5,900	REL205-015.....	5,900
AS207-105.....	4,200	AELS204N.....	6,700	AR205-014.....	5,900	REL205-100.....	5,900
AS207-106.....	4,200	AELS204-012N.....	6,700	AR205-015.....	5,900	REL206.....	4,900
AS207-107.....	4,200	AELS205N.....	5,900	AR205-100.....	5,900	REL206-101.....	4,900
AS208.....	3,700	AELS205-013N.....	5,900	AR206.....	4,900	REL206-102.....	4,900
AS208-108.....	3,700	AELS205-014N.....	5,900	AR206-101.....	4,900	REL206-103.....	4,900
AS208-109.....	3,700	AELS205-015N.....	5,900	AR206-102.....	4,900	REL206-104.....	4,900
		AELS205-100N.....	5,900	AR206-103.....	4,900	REL207.....	4,200
		AELS206N.....	4,900	AR206-104.....	4,900	REL207-104.....	4,200
ASS2 SERIES		AELS206-101N.....	4,900	AR207.....	4,200	REL207-105.....	4,200
ASS201N.....	11,000	AELS206-102N.....	4,900	AR207-104.....	4,200	REL207-106.....	4,200
ASS201-008N.....	11,000	AELS206-103N.....	4,900	AR207-105.....	4,200	REL207-107.....	4,200
ASS202N.....	10,000	AELS206-104N.....	4,900	AR207-106.....	4,200	REL208.....	3,700
ASS202-009N.....	10,000	AELS207N.....	4,200	AR207-107.....	4,200	REL208-108.....	3,700
ASS202-010N.....	10,000	AELS207-104N.....	4,200	AR208.....	3,700	REL208-109.....	3,700
ASS203N.....	8,000	AELS207-105N.....	4,200	AR208-108.....	3,700	REL209.....	3,500
ASS203-011N.....	8,000	AELS207-106N.....	4,200	AR208-109.....	3,700	REL209-110.....	3,500
ASS204N.....	6,700	AELS207-107N.....	4,200	AR209.....	3,500	REL209-111.....	3,500
ASS204-012N.....	6,700	AELS208N.....	3,700	AR209-110.....	3,500	REL209-112.....	3,500
ASS205N.....	5,900	AELS208-108N.....	3,700	AR209-111.....	3,500	REL210.....	3,100
ASS205-013N.....	5,900	AELS208-109N.....	3,700	AR209-112.....	3,500	REL210-113.....	3,100
ASS205-014N.....	5,900			AR210.....	3,100	REL210-114.....	3,100
ASS205-015N.....	5,900	JEL2 SERIES		AR210-113.....	3,100	REL210-115.....	3,100
ASS205-100N.....	5,900	JEL201.....	11,000	AR210-114.....	3,100	REL210-200.....	3,100
ASS206N.....	4,900	JEL201-008.....	11,000	AR210-115.....	3,100	REL211.....	2,900
ASS206-101N.....	4,900	JEL202.....	10,000	AR210-200.....	3,100	REL211-200.....	2,900
ASS206-102N.....	4,900	JEL202-009.....	10,000	UK2 SERIES		REL211-201.....	2,900
ASS206-103N.....	4,900	JEL202-010.....	10,000	UK205D1: H2305X.....	5,900	REL211-202.....	2,900
ASS206-104N.....	4,900	JEL203.....	8,000	UK205D1: HE2305.....	5,900	REL211-203.....	2,900
ASS207N.....	4,200	JEL203-011.....	8,000	UK206D1: H2306X.....	4,900	REL212.....	2,500
ASS207-104N.....	4,200	JEL204.....	6,700	UK206D1: HS2306.....	4,900	REL212-204.....	2,500
ASS207-105N.....	4,200	JEL204-012.....	6,700	UK206D1: HE2306X.....	4,900	REL212-205.....	2,500
ASS207-106N.....	4,200	JEL205.....	5,900	UK207D1: H2307X.....	4,200	REL212-206.....	2,500
ASS207-107N.....	4,200	JEL205-013.....	5,900	UK207D1: HS2307.....	4,200	REL212-207.....	2,500
ASS208N.....	3,700	JEL205-014.....	5,900	UK208D1: H2308X.....	3,700		
ASS208-108N.....	3,700	JEL205-015.....	5,900	UK208D1: HE2308X.....	3,700	UC2 SERIES	
ASS208-109N.....	3,700	JEL205-100.....	5,900	UK208D1: HS2308X.....	3,700	UC201D1.....	11,000
		JEL206.....	4,900	UK209D1: H2309X.....	3,500	UC201-008D1.....	11,000
		JEL206-101.....	4,900	UK209D1: HA2309.....	3,500	UC202D1.....	10,000
		JEL206-102.....	4,900	UK209D1: HS2309X.....	3,500	UC202-009D1.....	10,000
		JEL206-103.....	4,900	UK209D1: HS2309X.....	3,500	UC202-010D1.....	10,000
		JEL206-104.....	4,900	UK210D1: H2310X.....	3,100	UC203D1.....	8,000
		JEL207.....	4,200	UK210D1: HS2310.....	3,100	UC203-011D1.....	8,000
		JEL207-104.....	4,200	UK210D1: HA2310.....	3,100	UC204D1.....	6,700
		JEL207-105.....	4,200	UK210D1: HE2310X.....	3,100	UC204-012D1.....	6,700
		JEL207-106.....	4,200	UK211D1: H2311X.....	2,900	UC205D1.....	5,900
		JEL207-107.....	4,200	UK211D1: HS2311.....	2,900	UC205-013D1.....	5,900
		JEL208.....	3,700	UK211D1: HA2311.....	2,900	UC205-014D1.....	5,900
		JEL208-108.....	3,700	UK211D1: HE2311XY.....	2,900	UC205-015D1.....	5,900
		JEL208-109.....	3,700	UK212D1: H2312X.....	2,500	UC205-100D1.....	5,900
		JEL209.....	3,500	UK212D1: HS2312.....	2,500	UC206D1.....	4,900
		JEL209-110.....	3,500	UK213D1: H2313X.....	2,400	UC206-101D1.....	4,900
		JEL209-111.....	3,500	UK213D1: HA2313X.....	2,400	UC206-102D1.....	4,900
		JEL209-112.....	3,500			UC206-103D1.....	4,900



BALL BEARING INSERTS				RPMs			
UC206-104D1.....	4,900	UC314D1.....	2,100	UCS3 SERIES	UEL208-109D1.....	3,700	
UC207D1.....	4,200	UC314-211D1.....	2,100	UCS305D1.....	5,400	UEL209D1.....	3,500
UC207-104D1.....	4,200	UC314-212D1.....	2,100	UCS305-014D1.....	5,400	UEL209-110D1.....	3,500
UC207-105D1.....	4,200	UC315D1.....	1,900	UCS305-015D1.....	5,400	UEL209-111D1.....	3,500
UC207-106D1.....	4,200	UC315-215D1.....	1,900	UCS305-100D1.....	5,400	UEL209-112D1.....	3,500
UC207-107D1.....	4,200	UC315-300D1.....	1,900	UCS306D1.....	4,400	UEL210D1.....	3,100
UC208D1.....	3,700	UC316D1.....	1,800	UCS306-102D1.....	4,400	UEL210-113D1.....	3,100
UC208-108D1.....	3,700	UC316-302D1.....	1,800	UCS306-103D1.....	4,400	UEL210-114D1.....	3,100
UC208-109D1.....	3,700	UC316-303D1.....	1,800	UCS307D1.....	4,000	UEL210-115D1.....	3,100
UC209D1.....	3,500	UC317D1.....	1,700	UCS307-104D1.....	4,000	UEL210-200D1.....	3,100
UC209-110D1.....	3,500	UC317-304D1.....	1,700	UCS307-105D1.....	4,000	UEL211D1.....	2,900
UC209-111D1.....	3,500	UC318D1.....	1,600	UCS307-106D1.....	4,000	UEL211-200D1.....	2,900
UC209-112D1.....	3,500	UC318-307D1.....	1,600	UCS307-107D1.....	4,000	UEL211-201D1.....	2,900
UC210D1.....	3,100	UC318-308D1.....	1,600	UCS308D1.....	3,500	UEL211-202D1.....	2,900
UC210-113D1.....	3,100	UC319D1.....	1,500	UCS308-108D1.....	3,500	UEL211-203D1.....	2,900
UC210-114D1.....	3,100	UC319-312D1.....	1,500	UCS309D1.....	3,100	UEL212D1.....	2,500
UC210-115D1.....	3,100	UC320D1.....	1,500	UCS309-110D1.....	3,100	UEL212-204D1.....	2,500
UC210-200D1.....	3,100	UC320-315D1.....	1,500	UCS309-111D1.....	3,100	UEL212-206D1.....	2,500
UC211D1.....	2,900	UC320-400D1.....	1,500	UCS309-112D1.....	3,100	UEL212-207D1.....	2,500
UC211-200D1.....	2,900	UC321D1.....	1,400	UCS310D1.....	2,800	UEL3 SERIES	
UC211-201D1.....	2,900	UC322D1.....	1,300	UCS310-114D1.....	2,800	UEL305D1.....	5,400
UC211-202D1.....	2,900	UCS2 SERIES		UCS310-115D1.....	2,800	UEL305-014D1.....	5,400
UC211-203D1.....	2,900	UCS201D1N.....	11,000	UCS311D1.....	2,600	UEL305-015D1.....	5,400
UC212D1.....	2,500	UCS201-008D1N.....	11,000	UCS311-200D1.....	2,600	UEL305-100D1.....	5,400
UC212-204D1.....	2,500	UCS202D1N.....	10,000	UCS311-202D1.....	2,600	UEL306D1.....	4,400
UC212-206D1.....	2,500	UCS202-009D1N.....	10,000	UCS311-203D1.....	2,600	UEL306-102D1.....	4,400
UC212-207D1.....	2,500	UCS202-010D1N.....	10,000	UCS312D1.....	2,400	UEL306-103D1.....	4,400
UC213D1.....	2,400	UCS203D1N.....	8,000	UCS312-204D1.....	2,400	UEL307D1.....	4,000
UC213-208D1.....	2,400	UCS203-011D1N.....	8,000	UCS312-207D1.....	2,400	UEL307-104D1.....	4,000
UC214D1.....	2,300	UCS204D1N.....	6,700	UCS312-208D1.....	2,200	UEL307-105D1.....	4,000
UC214-211D1.....	2,300	UCS204-012D1N.....	6,700	UCS313D1.....	2,200	UEL307-106D1.....	4,000
UC214-212D1.....	2,300	UCS205D1N.....	5,900	UCS313-208D1.....	2,200	UEL307-107D1.....	4,000
UC215D1.....	2,100	UCS205-013D1N.....	5,900	UCS314D1.....	2,100	UEL308D1.....	3,500
UC215-215D1.....	2,100	UCS205-014D1N.....	5,900	UCS314-211D1.....	2,100	UEL308-108D1.....	3,500
UC215-300D1.....	2,100	UCS205-015D1N.....	5,900	UCS314-212D1.....	2,100	UEL309D1.....	3,100
UC216D1.....	2,000	UCS206D1N.....	4,900	UCS315D1.....	1,900	UEL309-110D1.....	3,100
UC216-302D1.....	2,000	UCS206-101D1N.....	4,900	UCS315-215D1.....	1,900	UEL309-111D1.....	3,100
UC217D1.....	1,900	UCS206-102D1N.....	4,900	UCS316D1.....	1,800	UEL309-112D1.....	3,100
UC217-304D1.....	1,900	UCS206-103D1N.....	4,900	UCS316-302D1.....	1,800	UEL310D1.....	2,800
UC218D1.....	1,700	UCS207D1N.....	4,200	UCS316-303D1.....	1,800	UEL310-114D1.....	2,800
UC218-308D1.....	1,700	UCS207-104D1N.....	4,200	UCS317D1.....	1,700	UEL310-115D1.....	2,800
UC3 SERIES		UCS207-105D1N.....	4,200	UCS317-304D1.....	1,700	UEL311D1.....	2,600
UC305D1.....	5,400	UCS207-106D1N.....	4,200	UCS318D1.....	1,600	UEL311-200D1.....	2,600
UC305-014D1.....	5,400	UCS207-107D1N.....	4,200	UCS318-307D1.....	1,600	UEL311-202D1.....	2,600
UC305-015D1.....	5,400	UCS208D1N.....	3,700	UCS318-308D1.....	1,600	UEL311-203D1.....	2,600
UC305-100D1.....	5,400	UCS208-108D1N.....	3,700	UCS319D1.....	1,500	UEL312D1.....	2,400
UC306D1.....	4,400	UCS208-109D1N.....	3,700	UCS319-312D1.....	1,500	UEL312-204D1.....	2,400
UC306-102D1.....	4,400	UCS209D1N.....	3,500	UCS320D1.....	1,500	UEL312-206D1.....	2,400
UC306-103D1.....	4,400	UCS209-110D1N.....	3,500	UCS320-315D1.....	1,500	UEL312-207D1.....	2,400
UC307D1.....	4,000	UCS209-111D1N.....	3,500	UCS320-400D1.....	1,500	UEL313D1.....	2,200
UC307-104D1.....	4,000	UCS209-112D1N.....	3,500	UCS321D1.....	1,400	UEL313-208D1.....	2,200
UC307-105D1.....	4,000	UCS210D1N.....	3,100	UCS322D1.....	1,300	UEL314D1.....	2,100
UC307-106D1.....	4,000	UCS210-113D1N.....	3,100	UEL2 SERIES		UEL314-211D1.....	2,100
UC307-107D1.....	4,000	UCS210-114D1N.....	3,100	UEL204D1.....	6,700	UEL314-212D1.....	2,100
UC308D1.....	3,500	UCS210-115D1N.....	3,100	UEL204-012D1.....	6,700	UEL315D1.....	1,900
UC308-108D1.....	3,500	UCS211D1N.....	2,900	UEL205D1.....	5,900	UEL315-215D1.....	1,900
UC309D1.....	3,100	UCS211-200D1N.....	2,900	UEL205-013D1.....	5,900	UEL315-300D1.....	1,900
UC309-110D1.....	3,100	UCS211-201D1N.....	2,900	UEL205-014D1.....	5,900	UEL316D1.....	1,800
UC309-111D1.....	3,100	UCS211-202D1N.....	2,900	UEL205-015D1.....	5,900	UEL316-302D1.....	1,800
UC309-112D1.....	3,100	UCS211-203D1N.....	2,900	UEL205-100D1.....	5,900	UEL316-303D1.....	1,800
UC310D1.....	2,800	UCS212D1.....	2,500	UEL206D1.....	4,900	UEL317D1.....	1,700
UC310-114D1.....	2,800	UCS212-204D1.....	2,500	UEL206-101D1.....	4,900	UEL317-304D1.....	1,700
UC310-115D1.....	2,800	UCS212-206D1.....	2,500	UEL206-102D1.....	4,900	UEL318D1.....	1,600
UC311D1.....	2,600	UCS212-207D1.....	2,500	UEL206-103D1.....	4,900	UEL318-307D1.....	1,600
UC311-200D1.....	2,600	UCS213D1.....	2,400	UEL206-104D1.....	4,900	UEL318-308D1.....	1,600
UC311-202D1.....	2,600	UCS213-208D1.....	2,400	UEL207D1.....	4,200	UEL319D1.....	1,500
UC311-203D1.....	2,600	UCS214D1.....	2,300	UEL207-104D1.....	4,200	UEL319-312D1.....	1,500
UC312D1.....	2,400	UCS215D1.....	2,100	UEL207-105D1.....	4,200	UEL320D1.....	1,500
UC312-204D1.....	2,400	UCS216D1.....	2,000	UEL207-106D1.....	4,200	UEL320-315D1.....	1,500
UC312-206D1.....	2,400	UCS217D1.....	1,900	UEL207-107D1.....	4,200	UEL320-400D1.....	1,500
UC312-207D1.....	2,400	UCS218D1.....	1,700	UEL208D1.....	3,700	UEL321D1.....	1,400
UC313D1.....	2,200			UEL208-108D1.....	3,700	UEL322D1.....	1,300
UC313-208D1.....	2,200						



Units: INCHES

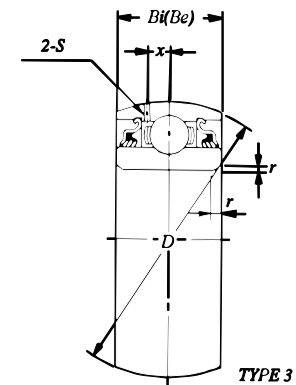
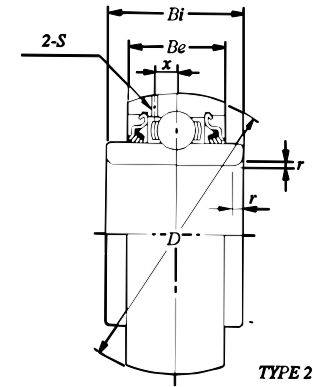
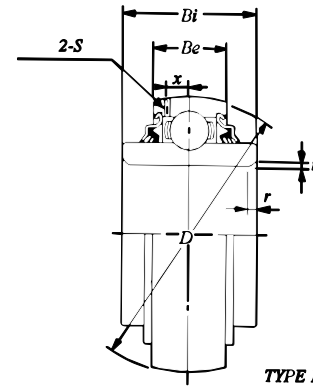
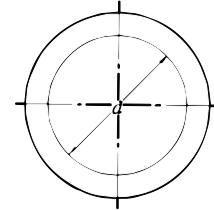
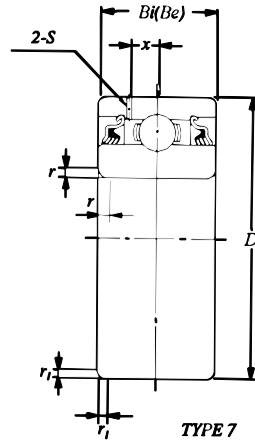
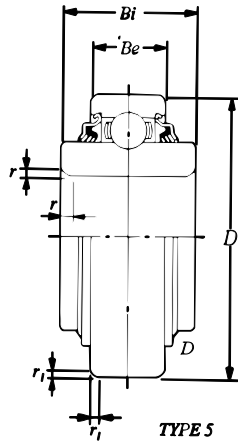
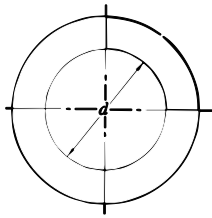


DISC HARROW BEARINGS

Bearing No.	Type	Shaft Size	Sq. Bore Dim. ±.005	Max. d	Max. R	Outside Diameter D	Ring Widths		r	s	x	Basic Load Ratings (lbs)		Weight (lbs)
							Be	Bi				C _D	C _S	
4AS08-7/8	4	7/8	.9050	.961	.089	3.4385/3.4375	1.189	1.437	—	—	—	6,500	4,000	2.02
1AS08-1	1	1	1.0300	1.094	.089	3.1496/3.1491	.709	1.437	—	—	—	6,500	4,000	1.38
2AS08-1	2	1	1.0300	1.094	.089	3.1496/3.1491	1.189	1.437	—	—	—	6,500	4,000	1.68
4AS08-1	4	1	1.0300	1.094	.089	3.4385/3.4375	1.189	1.437	—	—	—	6,500	4,000	1.94
1AS08-1 1/8	1	1 1/8	1.1800	1.236	.089	3.1496/3.1491	.709	1.437	—	—	—	6,500	4,000	1.27
2AS08-1 1/8	2	1 1/8	1.1800	1.236	.089	3.1496/3.1491	1.189	1.437	—	—	—	6,500	4,000	1.57
2AS08-1 1/2 D1	2	1 1/2	1.1800	1.236	.089	3.1496/3.1491	1.189	1.437	—	.087	.260	6,500	4,000	1.57
4AS08-1 1/8	4	1 1/8	1.1800	1.236	.089	3.4385/3.4375	1.189	1.437	—	—	—	6,500	4,000	1.83
1AS08-1 5/16 D1	1	1 5/16	1.1811	1.252	.089	3.1496/3.1491	.827	1.437	—	.087	.260	6,500	4,000	1.27
2AS09-1 1/4 D1	2	1 1/4	1.2900	1.370	.089	3.3465/3.3459	1.189	1.437	—	.087	.264	7,350	4,600	1.75
4AS09-1 1/4	4	1 1/4	1.2900	1.370	.089	3.4424/3.4346	1.189	1.437	—	—	—	7,350	4,600	1.81
2AS10-1 1/8	2	1 1/8	1.1800	1.236	.089	3.5433/3.5427	1.189	1.437	—	—	—	7,900	5,200	2.13
3AS10-1 1/8	3	1 1/8	1.1800	1.236	.089	3.5433/3.5427	1.189	1.189	—	—	—	7,900	5,200	1.90
1AS11-1 1/2 D1	1	1 1/2	1.5311	1.622	.089	3.9370-3.9364	.984	1.750	—	.098	.299	9,750	6,550	2.56
3AS11-1 1/2	3	1 1/2	1.5311	1.622	.089	3.9370-3.9364	1.311	1.311	—	—	—	9,750	6,550	2.40
3AS11-1 1/2 D1	3	1 1/2	1.5311	1.622	.089	3.9370-3.9364	1.311	1.311	—	.098	.299	9,750	6,550	2.40
4AS11-1 1/2	4	1 1/2	1.5311	1.622	.089	4.1250/4.1200	1.437	1.750	—	—	—	9,750	6,550	3.20
3AS14-2D1	3	2	2.0551	2.161	.157	4.9213/4.9205	1.563	1.563	—	.118	.370	14,000	9,900	4.30
5AS08-1 1/8	5	1 1/8	1.1800	1.236	.089	3.1496/3.1491	.709	1.437	.079	—	—	6,550	4,000	1.27
6AS08-1 1/2 D1	6	1 1/2	1.1800	1.236	.089	3.1496/3.1491	1.189	1.437	.079	.087	.264	6,550	4,000	1.57
6AS09-1 1/4	6	1 1/4	1.2900	1.370	.089	3.3460/3.3450	1.189	1.437	.079	—	—	7,350	4,600	1.75
6AS09-1 1/4 D1	6	1 1/4	1.2900	1.370	.089	3.3460/3.3450	1.189	1.437	.079	.087	.260	7,350	4,600	1.75
7AS10-1 1/8 D1	7	1 1/8	1.1800	1.236	.089	3.5433/3.5427	1.189	1.189	.079	0.87	.264	7,900	5,200	1.90
6AS11-1 1/2 V1	6	1 1/2	1.5311	1.622	.089	4.0000/3.9990	1.437	1.750	.098	—	—	9,750	6,550	3.06
7AS11-1 1/2	7	1 1/2	1.5311	1.622	.089	3.9370/3.9364	1.311	1.311	.098	—	—	9,750	6,550	2.40
7AS11-1 1/2 D1	7	1 1/2	1.5311	1.622	.089	3.9370/3.9364	1.311	1.311	.098	.098	.299	9,750	6,550	2.40

Ring width tolerances are:
 Sizes up to and including AS110 +.000 to -.005
 AS11 through A14, +.000 to -.006

Units: INCHES

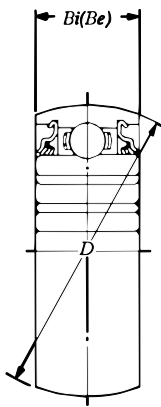
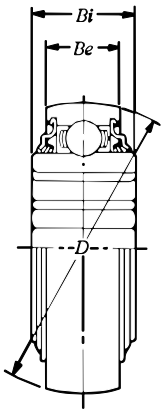
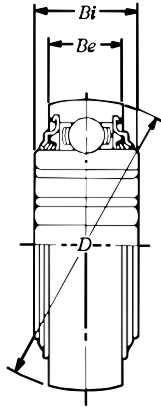
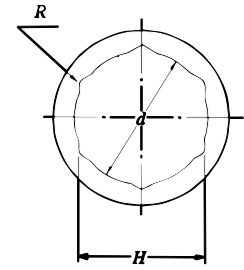
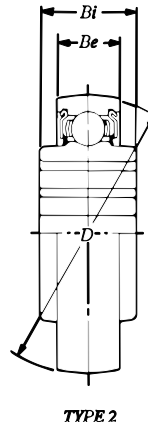
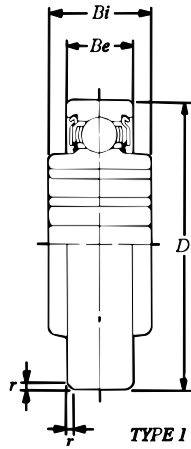


DISC HARROW BEARINGS

Bearing No.	Type	Bore <i>d</i>	Outside Diameter <i>D</i>	Ring Widths		<i>r</i>	<i>r_i</i>	<i>s</i>	<i>x</i>	Basic Load Ratings (lbs)		Weight (lbs)
				<i>Be</i>	<i>Bi</i>					Dynamic <i>C</i>	Static <i>C_o</i>	
1AC08-1 3/16	1	1.1880/1.1875	3.1496/3.1491	.709	1.189	.079	—	—	—	6,550	4,000	1.22
2AC08-1 1/2D1	2	1.5005/1.5000	3.1496/3.1491	1.189	1.689	.079	—	.087	.260	6,550	4,000	1.60
1AC09D1V1	1	1.7776/1.7717	3.3465/3.3459	.866	1.437	.079	—	.087	.264	7,350	4,600	1.30
3AC09	3	1.7717/1.7712	3.3465/3.3459	1.189	1.189	.079	—	—	—	7,350	4,600	1.44
3AC09D1	3	1.7717/1.7712	3.3465/3.3459	1.189	1.189	.079	—	.087	.284	7,350	4,600	1.44
3AC09-1 1/2	3	1.5350/1.5250	3.3465/3.3459	1.189	1.189	.079	—	—	—	7,350	4,600	1.58
3AC09-1 1/2D1	3	1.5350/1.5250	3.3465/3.3459	1.189	1.189	.079	—	.087	.264	7,350	4,600	1.58
3AC10-1 3/4	3	1.7850/1.7750	3.5433/3.5427	1.189	1.189	.079	—	—	—	7,900	5,200	1.68
3AC10-1 3/4D1	3	1.7850/1.7750	3.5433/3.5427	1.189	1.189	.079	—	.087	.264	7,900	5,200	1.68
3AC10-1 15/16	3	1.9380/1.9375	3.5433/3.5427	1.189	1.189	.079	—	—	—	7,900	5,200	1.57
3AC10-1 15/16D1	3	1.9380/1.9375	3.5433/3.5427	1.189	1.189	.079	—	.087	.264	7,900	5,200	1.57
1AC11-2 3/16D1V1	1	2.1939/2.1880	3.9370/3.9364	.984	1.563	.098	—	.098	.299	9,750	6,550	1.92
3AC11-2 3/16	3	2.1880/2.1874	3.9370/3.9364	1.311	1.311	.098	—	—	—	9,750	6,550	2.11
3AC11-2 3/16D1	3	2.1880/2.1874	3.9370/3.9364	1.311	1.311	.098	—	.098	.299	9,750	6,550	2.11
3AC14D1	3	2.7559/2.7553	4.9213/4.9205	1.563	1.563	.098	—	.118	.370	14,000	9,900	3.44
5AC10-1 15/16	5	1.9380/1.9375	3.5433/3.5427	.787	1.937	.079	.079	—	—	7,900	5,200	1.62
7AC10-1 15/16	7	1.9380/1.9375	3.5433/3.5427	1.189	1.189	.079	.079	—	—	7,900	5,200	1.57
7AC11-2 3/16D1	7	2.1880/2.1874	3.9370/3.9364	1.311	1.311	.098	.098	.098	.299	9,750	6,550	2.11

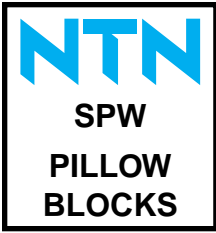


Units: INCHES



HEX BORE BEARINGS

Bearing No.	Type	Shaft Size	Hex Bore +0.005 -0.000 H	Max.		Outside Diameter D	Ring Widths ±.005		r	Basic Load Ratings (lbs)		Weight (lbs)
				d	R		Be	Bi		Dynamic C	Static Co	
1AH04-1 1/16	1	1 1/16	.695	.713	.010	1.8504/1.8499	.551	.827	.059	2,890	1,500	.289
1AH05-7/8	1	7/8	.876	.898	.010	2.0472/2.0467	.591	1.000	.059	3,150	1,770	.379
2AH05-7/8	2	7/8	.876	.898	.010	2.0472/2.0467	.591	1.000	—	3,150	1,770	.379
1AH06-1	1	1	1.001	1.028	.010	2.4409/2.4404	.630	.945	.059	4,400	2,540	.558
2AH06-1	2	1	1.001	1.028	.010	2.4409/2.4404	.630	.945	—	4,400	2,540	.558
2AH07-1 1/8	2	1 1/8	1.126	1.154	.010	2.8346/2.8341	.669	1.484	—	5,750	3,450	1.02
2AH08-1 1/4V2	2	1 1/4	1.260	1.287	.010	3.1496/3.1491	.709	1.437	—	6,550	4,000	1.28
2AH09-1 1/2	2	1 1/2	1.501	1.535	.010	3.3465/3.3459	.748	1.181	—	7,350	4,600	1.22
3AH10-1 5/8V2	3	1 5/8	1.626	1.665	.010	3.5433/3.5427	1.189	1.189	—	7,900	5,200	1.63



Units: Millimeters
INCHES

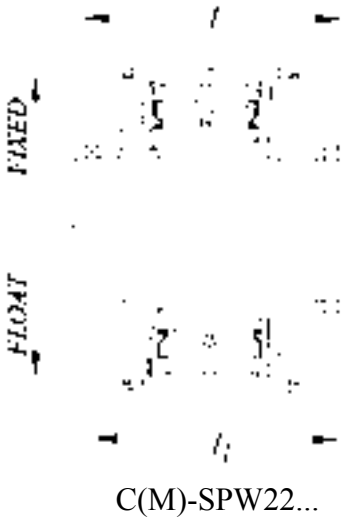


2 Bolt Base Solid Base

SPW22...

SPW PILLOW BLOCKS

Shaft Diameter <i>d</i> Inches	Complete Pillow Block Number	Pillow Block Housing	Bearing Number	Basic Load Ratings (lbs)		Adaptaer Locknut and Lockwasher	Weight (lbs)
				<i>Dynamic C</i>	<i>Static Co</i>		
1 15/16 50 2	SPW2211-115N1 SPW2211N1 SPW2211-200N1	SP211N1 SP211N1 SP211N1	MX-W22211BLLKC3 MX-W22211BLLKC3 MX-W22211BLLKC3	21,000 21,000 21,000	24,700 24,700 24,700	HA2311M1 H2311XM1 HE2311XYM1	13 13 13
2 3/16 2 1/4 60 2 3/8	SPW2213-203N1 SPW2213-204N1 SPW2213N1 SPW2213-206N1	SP213N1 SP213N1 SP213N1 SP213N1	MX-W22213BLLKC3 MX-W22213BLLKC3 MX-W22213BLLKC3 MX-W22213BLLKC3	32,000 32,000 32,000 32,000	40,000 40,000 40,000 40,000	HA2313M1 HE2313XM1 H2313XM1 HS2313XM1	18 18 18 18
2 7/16 2 1/2 65	SPW2215-207N1 SPW2215-208N1 SPW2215N1	SP215N1 SP215N1 SP215N1	MX-W22215BLLKC3 MX-W22215BLLKC3 MX-W22215BLLKC3	37,500 37,500 37,500	50,000 50,000 50,000	HA2315M1 HE2315XM1 H2315XM1	20 20 20
2 15/16 75 3	SPW2217-215N1 SPW2217N1 SPW2217-300N1	SP217N1 SP217N1 SP217N1	MX-W22217BLLKC3 MX-W22217BLLKC3 MX-W22217BLLKC3	46,500 46,500 46,500	61,000 61,000 61,000	HA2317XM1 H2317XM1 HE2317XM1	31 31 31
3 7/16 3 1/2 90 100	SPW2220-307N1 SPW2220-308N1 SPW2220N1 SPW2222N1	SP220N1 SP220N1 SP220N1 SP222N1	MX-W22220BLLKC3 MX-W22220BLLKC3 MX-W22220BLLKC3 MX-W22222BLLKC3	69,500 69,500 69,500 92,000	92,000 92,000 92,000 128,000	HA2320M1 HE2320XM1 H2320XM1 H2322XM1	54 54 54 71
3 15/16 4	SPW2222-315N1 SPW2222-400N1	SP222N1 SP222N1	MX-W22222BLLKC3 MX-W22222BLLKC3	92,000 92,000	128,000 128,000	HA2322M1 HE2322XM1	71 71
4 3/16 4 1/4 110	SPW2224-403N1 SPW2224-404N1 SPW2224N1	SP224N1 SP224N1 SP224N1	MX-W22224BLLKC3 MX-W22224BLLKC3 MX-W22224BLLKC3	109,000 109,000 109,000	157,000 157,000 157,000	HA2324M1 HE2324M1 H2324XM1	84 84 84
4 7/16 4 1/2 115	SPW2226-407N1 SPW2226-408N1 SPW2226N1	SP226N1 SP226N1 SP226N1	MX-W22226BLLKC3 MX-W22226BLLKC3 MX-W22226BLLKC3	127,000 127,000 127,000	176,000 176,000 176,000	HA2326M1 HE2326M1 H2326M1	101 101 101
4 15/16 4 5/8 125	SPW2228N1 SPW2228-415N1 SPW2228-500N1	SP228N1 SP228N1 SP228N1	MX-W22228BLLKC3 MX-W22228BLLKC3 MX-W22228BLLKC3	153,000 153,000 153,000	218,000 218,000 218,000	H2328M1 HA2328M1 HE2328M1	118 118 118
5 7/16 5 1/2 140	SPW2232-507N1 SPW2232-508N1 SPW2232N1	SP232N1 SP232N1 SP232N1	MX-W22232BLLKC3 MX-W22232BLLKC3 MX-W22232BLLKC3	196,000 196,000 196,000	290,000 290,000 290,000	HA2332M1 HE2332M1 H2332M1	171 171 171



How to Order

Example: When you order one SPW2220N1, you will receive an assembly consisting of one SP220N1 Pillow Block Housing, one MX-W22220BLLKC3 Bearing, and one H2320XM1 Adapter.

To order a solid base housing, add suffix F to the part number (example: SPW2220FN1).

When C-SPW2220N1 or CM-SPW2220N1 are specified, external covers will be supplied with the unit.

Example: "C" prefix - 2 taconite service seals

"CM" prefix - 1 taconite service seal, 1 end cover

Notes: Taconite service seals for which dimensions are shown are standard. For dimensions and availability of non-standard taconite service seals, consult NTN Engineering.

All units are supplied in float arrangement and may be converted to fixed by relocation of a snap ring.

All bearing inserts are supplied prelubricated with Shell Alvania™ 3 grease.

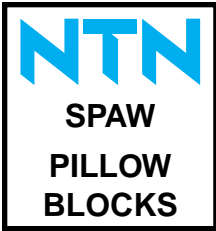
Solid base housings may be drilled for 2 or 4 bolt arrangement.

Grease fittings are provided with all units.

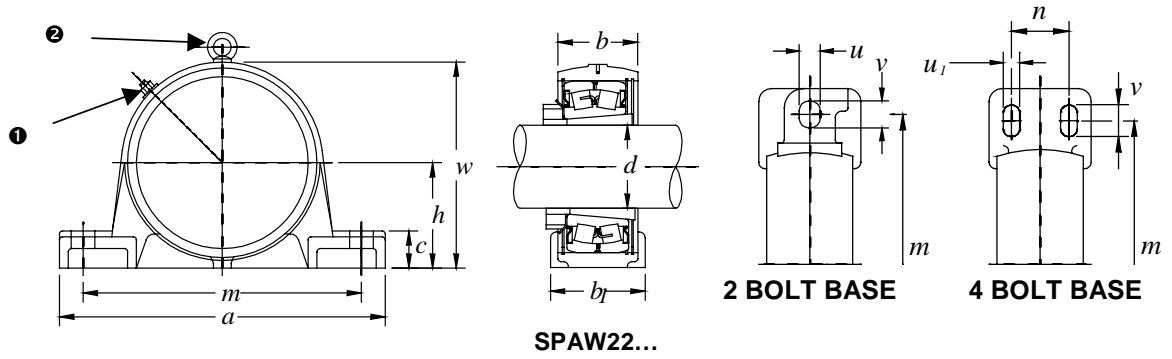
An eye bolt is provided on housings SP228N1 and SP23N1.

SPW PILLOW BLOCKS

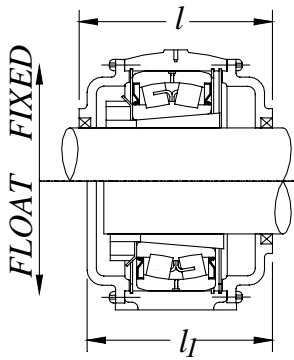
Complete Pillow Block Number	Dimensions (Millimeters)													Set Bolts	
	<i>h</i>	<i>a</i>	<i>b</i>	<i>b1</i>	<i>c</i>	<i>m</i>	<i>m1</i>	<i>n</i>	<i>w</i>	<i>l</i>	<i>l1</i>	<i>u</i>	<i>v</i>	(2 req'd)	(4 req'd)
SPW2211-115N1	70	255	62	70	28	210	200	40	136	120	114	18	23	M16	M12
SPW2211N1	70	255	62	70	28	210	200	40	136	120	114	18	23	M16	M12
SPW2211-200N1	70	255	62	70	28	210	200	40	136	120	114	18	23	M16	M12
SPW2213-203N1	80	275	70	80	30	230	220	48	157	138	126	18	23	M16	M12
SPW2213-204N1	80	275	70	80	30	230	220	48	157	—	—	18	23	M16	M12
SPW2213N1	80	275	70	80	30	230	220	48	157	—	—	18	23	M16	M12
SPW2213-206N1	80	275	70	80	30	230	220	48	157	—	—	18	23	M16	M12
SPW2215-207N1	80	280	72	80	30	230	220	48	163	132	123	18	23	M16	M12
SPW2215-208N1	80	280	72	80	30	230	220	48	163	—	—	18	23	M16	M12
SPW2215N1	80	280	72	80	30	230	220	48	163	—	—	18	23	M16	M12
SPW2217-216N1	95	320	80	90	32	260	252	52	192	156	146	22	27	M20	M16
SPW2217N1	95	320	80	90	32	260	252	52	192	—	—	22	27	M20	M16
SPW2217-300N1	95	320	80	90	32	260	252	52	192	—	—	22	27	M20	M16
SPW2220-307N1	112	380	95	110	40	320	300	66	226	185	175	26	32	M24	M16
SPW2220-308N1	112	380	95	110	40	320	300	66	226	—	—	26	32	M24	M16
SPW2220N1	112	380	95	110	40	320	300	66	226	—	—	26	32	M24	M16
SPW2222N1	125	410	100	120	45	350	320	74	252	—	—	26	32	M24	M16
SPW2222-315N1	125	410	100	120	45	350	320	74	252	198	185	26	32	M24	M16
SPW2222-400N1	125	410	100	120	45	350	320	74	252	—	—	26	32	M24	M16
SPW2224-403N1	140	410	105	120	45	350	330	74	274	203	190	26	32	M24	M16
SPW2224-404N1	140	410	105	120	45	350	330	74	274	—	—	26	32	M24	M16
SPW2224N1	140	410	105	120	45	350	330	74	274	—	—	26	32	M24	M16
SPW2226-407N1	150	445	115	130	50	380	370	80	293	219	206	28	36	M24	M20
SPW2226-408N1	150	445	115	130	50	380	370	80	293	—	—	28	36	M24	M20
SPW2226N1	150	445	115	130	50	380	370	80	293	—	—	28	36	M24	M20
SPW2228N1	150	500	120	150	50	420	400	80	305	—	—	33	42	M30	M24
SPW2228-415N1	150	500	120	150	50	420	400	80	305	232	219	33	42	M30	M24
SPW2228-500N1	150	500	120	150	50	420	400	80	305	—	—	33	42	M30	M24
SPW2232-507N1	170	550	135	160	60	470	450	90	340	260	247	33	42	M30	M24
SPW2232-508N1	170	550	135	160	60	470	450	90	340	—	—	33	42	M30	M24
SPW2232N1	170	550	135	160	60	470	450	90	340	—	—	33	42	M30	M24



Units: Millimeters
INCHES



SPAW PILLOW BLOCKS							
Shaft Diameter <i>d</i> Inches	Complete Pillow Block Number	Flange Block Housing	Bearing Number	Basic Load Ratings (lbs)		Adaptaer Locknut and Lockwasher	Weight (lbs)
				<i>Dynamic C</i>	<i>Static Co</i>		
1 ¹⁵ / ₁₆ 50 2	SPAW2211-115N1 SPAW2211N1 SPAW2211-200N1	SPA211N1 SPA211N1 SPA211N1	MX-W22211BLLKC3 MX-W22211BLLKC3 MX-W22211BLLKC3	21,000 21,000 21,000	24,700 24,700 24,700	HA2311M1 H2311XM1 HE2311XYM1	13 13 13
2 ³ / ₁₆ 2 ¹ / ₄ 60 2 ³ / ₈	SPAW2213-203N1 FSPA2213-203N1 SPAW2213-204N1 FSPA2213-204N1 SPAW2213N1 FSPA2213N1 SPAW2213-206N1 FSPA2213-206N1	SPA213N1 FSPA213N1 SPA213N1 FSPA213N1 SPA213N1 FSPA213N1 SPA213N1 FSPA213N1	MX-W22213BLLKC3 MX-W22213BLLKC3 MX-W22213BLLKC3 MX-W22213BLLKC3 MX-W22213BLLKC3 MX-W22213BLLKC3 MX-W22213BLLKC3 MX-W22213BLLKC3	32,000 32,000 32,000 32,000 32,000 32,000 32,000 32,000	40,000 40,000 40,000 40,000 40,000 40,000 40,000 40,000	HA2313M1 HA2313M1 HE2313XM1 HE2313XM1 H2313XM1 H2313XM1 HS2313XM1 HS2313XM1	18 18 18 18 18 18 18 18
2 ⁷ / ₁₆ 2 ¹ / ₂ 65	SPAW2215-207N1 FSPA2215-207N1 SPAW2215-208N1 FSPA2215-208N1 SPAW2215N1 FSPA2215N1	SPA215N1 FSPA215N1 SPA215N1 FSPA215N1 SPA215N1 FSPA215N1	MX-W22215BLLKC3 MX-W22215BLLKC3 MX-W22215BLLKC3 MX-W22215BLLKC3 MX-W22215BLLKC3 MX-W22215BLLKC3	37,500 37,500 37,500 37,500 37,500 37,500	50,000 50,000 50,000 50,000 50,000 50,000	HA2315M1 HA2315M1 HE2315XM1 HE2315XM1 H2315XM1 H2315XM1	20 20 20 20 20 20
2 ¹⁵ / ₁₆ 75 3	SPAW2217-215N1 FSPA2217-215N1 SPAW2217N1 FSPA2217N1 SPAW2217-300N1 FSPA2217-300N1	SPA217N1 FSPA217N1 SPA217N1 FSPA217N1 SPA217N1 FSPA217N1	MX-W22217BLLKC3 MX-W22217BLLKC3 MX-W22217BLLKC3 MX-W22217BLLKC3 MX-W22217BLLKC3 MX-W22217BLLKC3	46,500 46,500 46,500 46,500 46,500 46,500	61,000 61,000 61,000 61,000 61,000 61,000	HA2317XM1 HA2317XM1 H2317XM1 H2317XM1 HE2317XM1 HE2317XM1	31 31 31 31 31 31
3 ⁷ / ₁₆ 3 ¹ / ₂ 90	SPAW2220-307N1 FSPA2220-307N1 SPAW2220-308N1 FSPA2220-308N1 SPAW2220N1 FSPA2220N1	SPA220N1 FSPA220N1 SPA220N1 FSPA220N1 SPA220N1 FSPA220N1	MX-W22220BLLKC3 MX-W22220BLLKC3 MX-W22220BLLKC3 MX-W22220BLLKC3 MX-W22220BLLKC3 MX-W22220BLLKC3	69,500 69,500 69,500 69,500 69,500 69,500	92,000 92,000 92,000 92,000 92,000 92,000	HA2320M1 HA2320M1 HE2320XM1 HE2320XM1 H2320XM1 H2320XM1	54 54 54 54 54 54
100 3 ¹⁵ / ₁₆ 4	SPAW2222N1 SPAW2222-315N1 SPAW2222-400N1	SPA222N1 SPA222N1 SPA222N1	MX-W22222BLLKC3 MX-W22222BLLKC3 MX-W22222BLLKC3	92,000 92,000 92,000	128,000 128,000 128,000	H2322XM1 HA2322XM1 HE2322XM1	71 71 71
4 ³ / ₁₆ 4 ¹ / ₄ 110	SPAW2224-403N1 SPAW2224-404N1 SPAW2224N1	SPA224N1 SPA224N1 SPA224N1	MX-W22224BLLKC3 MX-W22224BLLKC3 MX-W22224BLLKC3	109,000 109,000 109,000	157,000 157,000 157,000	HA2324M1 HE2324M1 H2324XM1	84 84 84
4 ⁷ / ₁₆ 4 ¹ / ₂ 115	SPAW2226-407N1 SPAW2226-408N1 SPAW2226N1	SPA226N1 SPA226N1 SPA226N1	MX-W22226BLLKC3 MX-W22226BLLKC3 MX-W22226BLLKC3	127,000 127,000 127,000	176,000 176,000 176,000	HA2326M1 HE2326M1 H2326M1	101 101 101
125 4 ¹⁵ / ₁₆ 5	SPAW2228N1 SPAW2228-415N1 SPAW2228-500N1	SPA228N1 SPA228N1 SPA228N1	MX-W22228BLLKC3 MX-W22228BLLKC3 MX-W22228BLLKC3	153,000 153,000 153,000	218,000 218,000 218,000	H2328M1 HA2328M1 HE2328M1	118 118 118
5 ⁷ / ₁₆ 5 ¹ / ₂ 140	SPAW2232-507N1 SPAW2232-508N1 SPAW2232N1	SPA232N1 SPA232N1 SPA232N1	MX-W22232BLLKC3 MX-W22232BLLKC3 MX-W22232BLLKC3	196,000 196,000 196,000	290,000 290,000 290,000	HA2332M1 HE2332M1 H2332M1	171 171 171



C(M)-SPAW22...

How to Order

Example: When you order one SPAW2220-307N1, you will receive an assembly consisting of one SPA220N1 Pillow Block Housing, one MX-W22220BLLKC3 Bearing, and one HA2320M1 Adapter.

When C-SPAW2220N1 or CM-SPAW2220N1 are specified, external covers will be supplied with the unit.

Example: "C" prefix - 2 taconite service seals
"CM" prefix - 1 taconite service seal, 1 end cover

Notes: Taconite service seals for which dimensions are shown are standard. For dimensions and availability of non-standard taconite service seals, consult NTN Engineering.

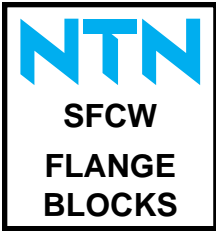
All units are supplied in float arrangement and may be converted to fixed by relocation of a snap ring.

All bearing inserts are supplied prelubricated with Shell Alvania™ 3 grease.

Grease fittings are provided with all units.
An eye bolt is provided on housings SPA28N1 and SPA32N1.

SPAW PILLOW BLOCKS

Complete Pillow Block Number	Dimensions (Inches)													Set Bolts	
	h	a	b	b1	c	m	n	w	l	l1	u	v	Size	No.	
SPAW2211-115N1	2 3/4	9.606	2.441	2.756	1.102	7 5/8	-	5.354	4.724	4.488	0.709	-	7/8	5/8	2
SPAW2211N1	2 3/4	9.606	2.441	2.756	1.102	7 5/8	-	5.354	4.724	4.488	0.709	-	7/8	5/8	2
SPAW2211-200N1	2 3/4	9.606	2.441	2.756	1.102	7 5/8	-	5.354	4.724	4.488	0.709	-	7/8	5/8	2
SPAW2213-203N1	3	10.827	2.756	3.110	1.024	8 13/16	2	6.024	5.433	4.961	0.709	-	1 5/16	5/8	2
FSPAW2213-203N1	3	10.827	2.756	3.110	1.024	8 13/16	2	6.024	5.433	4.961	-	0.591	1 5/16	1/2	4
SPAW2213-204N1	3	10.827	2.756	3.110	1.024	8 13/16	2	6.024	5.433	4.961	0.709	-	1 5/16	5/8	2
FSPAW2213-204N1	3	10.827	2.756	3.110	1.024	8 13/16	2	6.024	5.433	4.961	-	0.591	1 5/16	1/2	4
SPAW2213N1	3	10.827	2.756	3.110	1.024	8 13/16	2	6.024	5.433	4.961	0.709	-	1 5/16	5/8	2
FSPAW2213N1	3	10.827	2.756	3.110	1.024	8 13/16	2	6.024	5.433	4.961	-	0.591	1 5/16	1/2	4
SPAW2213-206N1	3	10.827	2.756	3.110	1.024	8 13/16	2	6.024	5.433	4.961	0.709	-	1 5/16	5/8	2
FSPAW2213-206N1	3	10.827	2.756	3.110	1.024	8 13/16	2	6.024	5.433	4.961	-	0.591	1 5/16	1/2	4
SPAW2215-207N1	3 1/4	11.024	2.835	3.110	1.299	9 1/8	1 7/8	6.535	5.197	4.843	0.709	-	1 1/8	5/8	2
FSPAW2215-207N1	3 1/4	11.024	2.835	3.110	1.299	9 1/8	1 7/8	6.535	5.197	4.843	-	0.591	1 1/8	1/2	4
SPAW2215-208N1	3 1/4	11.024	2.835	3.110	1.299	9 1/8	1 7/8	6.535	5.197	4.843	0.709	-	1 1/8	5/8	2
FSPAW2215-208N1	3 1/4	11.024	2.835	3.110	1.299	9 1/8	1 7/8	6.535	5.197	4.843	-	0.591	1 1/8	1/2	4
SPAW2215N1	3 1/4	11.024	2.835	3.110	1.299	9 1/8	1 7/8	6.535	5.197	4.843	0.709	-	1 1/8	5/8	2
FSPAW2215N	3 1/4	11.024	2.835	3.110	1.299	9 1/8	1 7/8	6.535	5.197	4.843	-	0.591	1 1/8	1/2	4
SPAW2217-215N1	3 3/4	12.598	3.150	3.504	1.260	10 7/16	2 1/8	7.559	6.142	5.748	0.866	-	1 5/16	3/4	2
FSPAW2217-215N1	3 3/4	12.598	3.150	3.504	1.260	10 7/16	2 1/8	7.559	6.142	5.748	-	0.709	1 5/16	5/8	4
SPAW2217N1	3 3/4	12.598	3.150	3.504	1.260	10 7/16	2 1/8	7.559	6.142	5.748	0.866	-	1 5/16	3/4	2
FSPAW2217N1	3 3/4	12.598	3.150	3.504	1.260	10 7/16	2 1/8	7.559	6.142	5.748	-	0.709	1 5/16	5/8	4
SPAW2217-300N1	3 3/4	12.598	3.150	3.504	1.260	10 7/16	2 1/8	7.559	6.142	5.748	0.866	-	1 5/16	3/4	2
FSPAW2217-300N1	3 3/4	12.598	3.150	3.504	1.260	10 7/16	2 1/8	7.559	6.142	5.748	-	0.709	1 5/16	5/8	4
SPAW2220-307N1	4 1/2	14.961	3.740	4.331	1.654	12 3/8	2 3/8	8.976	7.283	6.890	1.024	-	1 5/8	7/8	2
FSPAW2220-307N1	4 1/2	14.961	3.740	4.331	1.654	12 3/8	2 3/8	8.976	7.283	6.890	-	0.866	1 5/8	3/4	4
SPAW2220-308N1	4 1/2	14.961	3.740	4.331	1.654	12 3/8	2 3/8	8.976	7.283	6.890	1.024	-	1 5/8	7/8	2
FSPAW2220-308N1	4 1/2	14.961	3.740	4.331	1.654	12 3/8	2 3/8	8.976	7.283	6.890	-	0.866	1 5/8	3/4	4
SPAW2220N1	4 1/2	14.961	3.740	4.331	1.654	12 3/8	2 3/8	8.976	7.283	6.890	1.024	-	1 5/8	7/8	2
FSPAW2220N1	4 1/2	14.961	3.740	4.331	1.654	12 3/8	2 3/8	8.976	7.283	6.890	-	0.866	1 5/8	3/4	4
SPAW2222N1	4 15/16	16.496	3.937	4.764	1.772	13 9/16	2 3/4	10.315	7.795	7.283	-	0.866	1 11/16	3/4	4
SPAW2222-315N1	4 15/16	16.496	3.937	4.764	1.772	13 9/16	2 3/4	10.315	7.795	7.283	-	0.866	1 11/16	3/4	4
SPAW2222-400N1	4 15/16	16.496	3.937	4.764	1.772	13 9/16	2 3/4	10.315	7.795	7.283	-	0.866	1 11/16	3/4	4
SPAW2224-403N1	5 1/4	16.496	4.134	4.764	1.496	13 7/8	2 3/4	10.512	7.992	7.480	-	0.866	1 3/8	3/4	4
SPAW2224-404N1	5 1/4	16.496	4.134	4.764	1.496	13 7/8	2 3/4	10.512	7.992	7.480	-	0.866	1 3/8	3/4	4
SPAW2224N1	5 1/4	16.496	4.134	4.764	1.496	13 7/8	2 3/4	10.512	7.992	7.480	-	0.866	1 3/8	3/4	4
SPAW2226-407N1	6	18.386	4.528	5.118	2.047	15 5/16	3 1/4	11.614	8.622	8.110	-	0.945	1 9/16	7/8	4
SPAW2226-408N1	6	18.386	4.528	5.118	2.047	15 5/16	3 1/4	11.614	8.622	8.110	-	0.945	1 9/16	7/8	4
SPAW2226N1	6	18.386	4.528	5.118	2.047	15 5/16	3 1/4	11.614	8.622	8.110	-	0.945	1 9/16	7/8	4
SPAW2228N1	6	20.118	4.724	5.866	2.047	16 9/16	3 3/8	12.087	9.134	8.622	-	1.024	1 9/16	1	4
SPAW2228-415N1	6	20.118	4.724	5.866	2.047	16 9/16	3 3/8	12.087	9.134	8.622	-	1.024	1 9/16	1	4
SPAW2228-500N1	6	20.118	4.724	5.866	2.047	16 9/16	3 3/8	12.087	9.134	8.622	-	1.024	1 9/16	1	4
SPAW2232-507N1	6 11/16	22.008	5.315	6.260	2.362	18 5/16	3 3/4	13.386	10.236	9.724	-	1.024	1 15/16	1	4
SPAW2232-508N1	6 11/16	22.008	5.315	6.260	2.362	18 5/16	3 3/4	13.386	10.236	9.724	-	1.024	1 15/16	1	4
SPAW2232N1	6 11/16	22.008	5.315	6.260	2.362	18 5/16	3 3/4	13.386	10.236	9.724	-	1.024	1 15/16	1	4



Units: Millimeters
INCHES



SFCW22...

SFCW FLANGE BLOCKS

Shaft Diameter <i>d</i> Inches	Complete Flange Block Number	Flange Block Housing	Bearing Number	Basic Load Ratings (lbs)		Adaptaer Locknut and Lockwasher	Weight (lbs)
				<i>Dynamic C</i>	<i>Static Co</i>		
1 15/16 50 2	SFCW2211-115N1	SFC211N1	MX-W22211BLLKC3	21,000	24,700	HA2311M1	19
	SFCW2211N1	SFC211N1	MX-W22211BLLKC3	21,000	24,700	H2311XM1	19
	SFCW2211-200N1	SFC211N1	MX-W22211BLLKC3	21,000	24,700	HE2311XYM1	19
2 3/16 2 1/4 60 2 3/8	SFCW2213-203N1	SFC213N1	MX-W22213BLLKC3	32,000	40,000	HA2313M1	23
	SFCW2213-204N1	SFC213N1	MX-W22213BLLKC3	32,000	40,000	HE2313XM1	23
	SFCW2213N1	SFC213N1	MX-W22213BLLKC3	32,000	40,000	H2313XM1	23
2 7/16 2 1/8 65 SFCW2215N1	SFCW2213-206N1	SFC213N1	MX-W22213BLLKC3	32,000	40,000	HS2313XM1	23
	SFCW2215-207N1	SFC215N1	MX-W22215BLLKC3	37,500	50,000	HA2315M1	27
	SFCW2215-208N1	SFC215N1	MX-W22215BLLKC3	37,500	50,000	HE2315XM1	27
2 15/16 75 3	SFCW2215N1	SFC215N1	MX-W22215BLLKC3	37,500	50,000	H2315XM1	27
	SFCW2217-216N1	SFC217N1	MX-W22217BLLKC3	46,500	61,000	HA2317XM1	34
	SFCW2217N1	SFC217N1	MX-W22217BLLKC3	46,500	61,000	H2317XM1	34
3 7/16 3 1/2 90 SFCW2220N1	SFCW2217-300N1	SFC217N1	MX-W22217BLLKC3	46,500	61,000	HE2317XM1	34
	SFCW2220-307N1	SFC220N1	MX-W22220BLLKC3	69,500	92,000	HA2320M1	61
	SFCW2220-308N1	SFC220N1	MX-W22220BLLKC3	69,500	92,000	HE2320XM1	61
100 3 15/16 4	SFCW2220N1	SFC220N1	MX-W22220BLLKC3	69,500	92,000	H2320XM1	61
	SFCW2222N1	SFC222N1	MX-W22222BLLKC3	92,000	128,000	HA2322M1	82
	SFCW2222-315N1	SFC222N1	MX-W22222BLLKC3	92,000	128,000	HE2322M1	82
4 3/16 4 1/4 110 SFCW2224N1	SFCW2222-400N1	SFC222N1	MX-W22222BLLKC3	92,000	128,000	HE2322XM1	82
	SFCW2224-403N1	SFC224N1	MX-W22224BLLKC3	109,000	157,000	HA2324M1	—
	SFCW2224-404N1	SFC224N1	MX-W22224BLLKC3	109,000	157,000	HE2324M1	—
4 7/16 4 1/2 115 SFCW2226N1	SFCW2224N1	SFC224N1	MX-W22224BLLKC3	109,000	157,000	H2324XM1	—
	SFCW2226-407N1	SFC226N1	MX-W22226BLLKC3	127,000	176,000	HA2326M1	112
	SFCW2226-408N1	SFC226N1	MX-W22226BLLKC3	127,000	176,000	HE2326M1	112
125 4 15/16 5	SFCW2226N1	SFC226N1	MX-W22226BLLKC3	127,000	176,000	H2326M1	112
	SFCW2228N1	SFC228N1	MX-W22228BLLKC3	153,000	218,000	HA2328M1	—
	SFCW2228-415N1	SFC228N1	MX-W22228BLLKC3	153,000	218,000	HE2328M1	—
5 7/16 5 1/2 140 SFCW2232N1	SFCW2228-500N1	SFC228N1	MX-W22228BLLKC3	153,000	218,000	HE2328M1	—
	SFCW2232-507N1	SFC232N1	MX-W22232BLLKC3	196,000	290,000	HA2332M1	—
	SFCW2232-508N1	SFC232N1	MX-W22232BLLKC3	196,000	290,000	HE2332M1	—
140	SFCW2232N1	SFC232N1	MX-W22232BLLKC3	196,000	290,000	H2332M1	—



How to Order

Example: When you order one SFCW2220N1, you will receive an assembly consisting of one SFC220N1 Flange Block Housing, one MX-W2220BLLKC3 Bearing, and one H2320XM1 Adapter.

When C-SFCW2220N1 or CM-SFCW2220N1 are specified, external covers will be supplied with the unit.

Example: "C" prefix - 1 taconite service seal (dimension *l*)

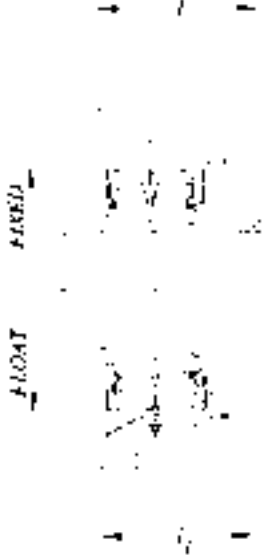
"CM" prefix - 1 end cover (dimension *l1*)

Notes: Taconite service seals for which dimensions are shown are standard. For dimensions and availability of non-standard taconite service seals, consult NTN Engineering.

All units are supplied in float arrangement and may be converted to fixed by relocation of a snap ring.

All bearing inserts are supplied prelubricated with Shell Alvania™ 3 grease.

Grease fittings are provided with all units.



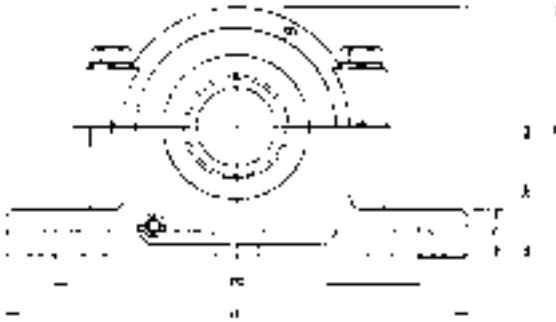
C(M)-SFCW22...

SFCW FLANGE BLOCKS									
Complete Flange Block Number	Dimensions (Millimeters)								
	<i>a</i>	<i>b</i>	<i>c</i>	<i>m</i>	<i>f</i>	<i>j</i>	<i>l</i>	<i>l1</i>	<i>s</i>
SFCW2211-115N1	200	62	19	165	130	25	91	85	14
SFCW2211N1	200	62	19	165	130	25	—	—	14
SFCW2211-200N1	200	62	19	165	130	25	—	—	14
SFCW2213-203N1	240	70	24	190	155	25	104	92	14
SFCW2213-204N1	240	70	24	190	155	25	—	—	14
SFCW2213N1	240	70	24	190	155	25	—	—	14
SFCW2213-206N1	240	70	24	190	155	25	—	—	14
SFCW2215-207N1	255	72	24	215	170	32	102	93	17
SFCW2215-208N1	255	72	24	215	170	32	—	—	17
SFCW2215N1	255	72	24	215	170	32	—	—	17
SFCW2217-216N1	270	80	27	240	190	32	118	108	17
SFCW2217N1	270	80	27	240	190	32	—	—	17
SFCW2217-300N1	270	80	27	240	190	32	—	—	17
SFCW2220-307N1	330	95	29	280	230	38	140	130	20
SFCW2220-308N1	330	95	29	280	230	38	—	—	20
SFCW2220N1	330	95	29	280	230	38	—	—	20
SFCW2222N1	365	100	32	310	255	42	—	—	20
SFCW2222-315N1	365	100	32	310	255	42	149	136	20
SFCW2222-400N1	365	100	32	310	255	42	—	—	20
SFCW2224-403N1	400	105	32	330	275	42	154	141	23
SFCW2224-404N1	400	105	32	330	275	42	—	—	23
SFCW2224N1	400	105	32	330	275	42	—	—	23
SFCW2226-407N1	416	115	32	355	290	42	167	154	23
SFCW2226-408N1	416	115	32	355	290	42	—	—	23
SFCW2226N1	416	115	32	355	290	42	—	—	23
SFCW2228N1	450	120	45	385	310	56	—	—	35
SFCW2228-415N1	450	120	45	385	310	56	174	163	35
SFCW2228-500N1	450	120	45	385	310	56	—	—	35
SFCW2232-507N1	520	135	45	435	360	65	195	185	35
SFCW2232-508N1	520	135	45	435	360	65	—	—	35
SFCW2232N1	520	135	45	435	360	65	—	—	35

NTN

**SERIES
SAF 225
SAF 226**

**ADAPTER
MOUNTING**



SAF PILLOW BLOCKS

Shaft Diameter d_1 Inches	Complete Pillow Block Number	Pillow Block Housing	Bearing Number	PILLOW BLOCK COMPONENT NUMBERS		Adapter Locknut and Lockwasher	Triple Seal Ring (2 required)	Stabilizing Ring (1 required)
				Basic Load Ratings (lbs)				
				Dynamic C	Static C_0			
1 7/16	SAF22509	SAF509	22209CKD1	18,600	21,400	SNW09	LER17	SR 85X6
1 11/16	SAF22510	SAF510	22210CKD1	19,300	23,000	SNW10	LER20	SR 90X6.5
1 15/16	SAF22511	SAF511	22211BKD1	21,000	24,700	SNW11	LER24	SR100X6
2 3/16	SAF22513	SAF513	22213BKD1	32,000	40,500	SNW13	LER29	SR120X10
2 7/16	SAF22515	SAF515	22215BKD1	37,000	50,000	SNW15	LER37	SR130X10
2 11/16	SAF22516	SAF516	22216BKD1	40,500	53,500	SNW16	LER44	SR140X10
2 15/16	SAF22517	SAF517	22217BKD1	46,500	61,500	SNW17	LER53	SR150X10
3 3/16	SAF22518	SAF518	22218BKD1	57,500	77,500	SNW18	LER69	SR160X10
3 7/16	SAF22520	SAF520	22220BKD1	70,000	92,500	SNW20	LER102	SR180X10
3 15/16	SAF22522	SAF522	22222BKD1	92,500	128,000	SNW22	LER109	SR200X10
4 3/16	SAF22524	SAF524	22224BKD1	109,000	158,000	SNW24	LER113	SR215X10
4 7/16	SAF22526	SAF526	22226BKD1	127,000	176,000	SNW26	LER117	SR230X10
4 15/16	SAF22528	SAF528	22228BKD1	153,000	218,000	SNW28	LER122	SR250X10
5 3/16	SAF22530	SAF530	22230BKD1	174,000	262,000	SNW30	LER125	SR270X10
5 7/16	SAF22532	SAF532	22232BKD1	195,000	290,000	SNW32	LER130	SR290X10
5 15/16	SAF22534	SAF534	22234BKD1	225,000	340,000	SNW34	LER140	SR310X10
6 7/16	SAF22536	SAF536	22236BK	233,000	360,000	SNW36	LER148	SR320X10
6 15/16	SAF22538	SAF538	22238BK	260,000	410,000	SNW38	LER155	SR340X10
7 3/16	SAF22540	SAF540	22240BK	295,000	450,000	SNW40	LER159	SR360X10
7 15/16	SAF22544	SAF544	22244BK	350,000	545,000	SNW44	LER167	SR400X10

SAF PILLOW BLOCKS

Shaft Diameter d_1 Inches	Complete Pillow Block Number	Pillow Block Housing	Bearing Number	PILLOW BLOCK COMPONENT NUMBERS		Adapter Locknut and Lockwasher	Triple Seal Ring (2 required)	Stabilizing Ring (1 required)
				Basic Load Ratings (lbs)				
				Dynamic C	Static C_0			
1 7/16	SAF22609	SAF609	22309CKD1	33,000	37,500	SNW109	LER17	SR100X6
1 11/16	SAF22610	SAF610	22310CKD1	42,000	47,500	SNW110	LER20	SR110X8
1 15/16	SAF22611	SAF611	22311BKD1	46,000	52,500	SNW111	LER24	SR120X10
2 3/16	SAF22613	SAF613	22313BKD1	59,500	71,000	SNW113	LER32	SR140X8.5
2 7/16	SAF22615	SAF615	22315BKD1	74,000	92,000	SNW115	LER37	SR160X10
2 11/16	SAF22616	SAF616	22316BKD1	86,000	105,000	SNW116	LER44	SR170X10
2 15/16	SAF22617	SAF617	22317BKD1	93,500	115,000	SNW117	LER184	SR180X10
3 3/16	SAF22618	SAF618	22318BKD1	107,000	132,000	SNW118	LER188	SR190X9.5
3 7/16	SAF22620	SAF620	22320BKD1	136,000	169,000	SNW120	LER102	SR215X9.5
3 15/16	SAF22622	SAF622	22322BKD1	167,000	209,000	SNW122	LER109	SR240X9.5
4 3/16	SAF22624	SAF624	22324BKD1	198,000	252,000	SNW124	LER113	SR260X9.5
4 7/16	SAF22626	SAF626	22326BKD1	221,000	282,000	SNW126	LER117	SR280X9.5
4 15/16	SAF22628	SAF628	22328BKD1	250,000	320,000	SNW128	LER122	SR300X9.5
5 3/16	SAF22630	SAF630	22330BK	281,000	385,000	SNW130	LER125	SR320X9.5
5 7/16	SAF22632	SAF632	22332BK	315,000	440,000	SNW132	LER130	SR340X9.5
5 15/16	SAF22634	SAF634	22334BK	340,000	480,000	SNW134	LER140	SR360X10
6 7/16	SAF22636	SAF636	22336BK	385,000	565,000	SNW136	LER148	SR380X10
6 15/16	SAF22638	SAF638	22338BK	415,000	615,000	SNW138	LER155	SR400X10

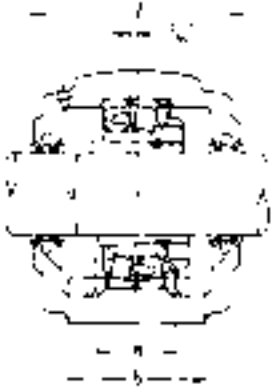


HOW TO ORDER

Example: When you order one SAF22520, you will receive a package containing one SAF520 Pillow Block Housing, one No. 22220BKD1 Bearing and one SNW20 Adapter. All units are supplied with two Triple Seal Rings and a Stabilizing Ring. If you specify SAF22520M3, the required end cover will be included. Always specify shaft size. The same example applies when you order SAF22620.

A pillow block housing number includes one housing and two triple seal rings automatically. Suffix G on a pillow block housing number means one stabilizing ring is also included.

NOTE: For cast steel pillow blocks in 22500(22200) Series (SAFS), see pages 150 and 151.

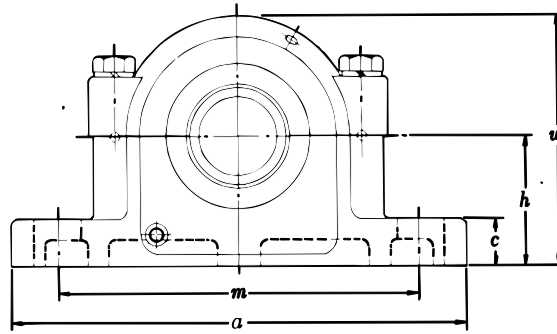


SAF PILLOW BLOCKS											
Complete Pillow Block Number	Dimensions (Inches)									Set Bolts	
	h	a	b	c	m		n	w	l	Size	Number
					max.	min.					
SAF22509	2 1/4	8 1/4	2 3/8	1 3/16	7	6 1/4	—	4 3/8	3 5/8	1/2	2
SAF22510	2 1/2	8 1/4	2 3/8	1 5/16	7	6 1/2	—	4 3/4	3 5/8	1/2	2
SAF22511	2 3/4	9 5/8	2 3/4	1 5/16	7 7/8	7 3/8	—	5 1/4	3 7/8	5/8	2
SAF22513	3	11	3 1/8	1	9 1/2	8 1/8	—	5 15/16	4 1/2	5/8	2
SAF22515	3 1/4	11 1/4	3 1/8	1 1/8	9 5/8	8 5/8	—	6 3/8	4 3/4	5/8	2
SAF22516	3 1/2	13	3 1/2	1 3/16	11	9 5/8	—	6 7/8	4 7/8	3/4	2
SAF22517	3 3/4	13	3 1/2	1 1/4	11	9 7/8	—	7 5/16	5	3/4	2
SAF22518	4	13 3/4	3 7/8	1 5/16	11 5/8	10 3/8	—	7 3/4	5 3/4	3/4	2
SAF22520	4 1/2	15 1/4	4 3/8	1 3/4	13 1/8	11 5/8	—	8 3/4	6	7/8	2
SAF22522	4 15/16	16 1/2	4 3/4	2	14 1/2	12 5/8	2 3/4	9 5/8	6 1/2	3/4	4
SAF22524	5 1/4	16 1/2	4 3/4	2 1/8	14 1/2	13 1/4	2 3/4	10 1/4	7 3/8	3/4	4
SAF22526	6	18 3/8	5 1/8	2 3/8	16	14 5/8	3 1/4	11 1/2	8	7/8	4
SAF22528	6	20 1/8	5 7/8	2 3/8	17 1/8	16	3 3/8	11 3/4	7 5/8	1	4
SAF22530	6 5/16	21 1/4	6 1/4	2 1/2	18 1/4	17	3 3/4	12 1/2	8 3/8	1	4
SAF22532	6 11/16	22	6 1/4	2 5/8	19 1/4	17 3/8	3 3/4	13 5/16	8 3/4	1	4
SAF22534	7 1/16	24 3/4	6 3/4	2 3/4	21 5/8	19 3/8	4 1/4	14 3/16	9 5/8	1	4
SAF22536	7 1/2	26 3/4	7 1/8	3	23 5/8	20 7/8	4 5/8	14 7/8	10	1	4
SAF22538	7 7/8	28	7 1/2	3 1/8	24 3/8	21 5/8	4 1/2	15 11/16	10 3/4	1 1/4	4
SAF22540	8 1/4	29 1/2	8	3 3/8	25	22 1/2	5	16 1/2	11 1/4	1 1/4	4
SAF22544	9 1/2	32 3/4	8 3/4	3 3/4	27 7/8	24 3/4	5 1/4	18 5/8	12	1 1/2	4

SAF PILLOW BLOCKS											
Complete Pillow Block Number	Dimensions (Inches)									Set Bolts	
	h	a	b	c	m		n	w	l	Size	Number
					max.	min.					
SAF22609	2 3/4	9 5/8	2 3/4	1	7 7/8	7 3/8	—	5 5/16	4 1/4	5/8	2
SAF22610	3	10 5/8	2 3/4	1 1/8	9	7 3/4	—	5 13/16	4 5/8	5/8	2
SAF22611	3 1/4	11	3 1/8	1 3/16	9 1/2	8 1/8	—	6 3/16	4 7/8	5/8	2
SAF22613	3 1/2	13	3 1/2	1 1/4	11	9 5/8	—	6 15/16	5 3/8	3/4	2
SAF22615	4	13 3/4	3 7/8	1 5/16	11 5/8	10 3/8	—	7 13/16	6 1/4	3/4	2
SAF22616	4 1/4	14 1/4	3 7/8	1 5/16	12 5/8	10 5/8	—	8 1/4	6 1/2	3/4	2
SAF22617	4 1/2	15 1/4	4 3/8	1 3/4	13 1/8	11 5/8	—	8 3/4	6 3/4	7/8	2
SAF22618	4 3/4	15 1/2	4 3/8	2	13 1/2	12	2 1/4	9 3/16	6 7/8	3/4	4
SAF22620	5 1/4	16 1/2	4 3/4	2 1/8	14 1/2	13 1/4	2 3/4	10 1/4	7 3/8	3/4	4
SAF22622	6	18 3/8	5 1/8	2 3/8	16	14 5/8	3 1/4	11 1/2	8	7/8	4
SAF22624	6 5/16	21 1/4	6 1/4	2 1/2	18 1/4	17	3 3/4	12 1/2	8 3/8	1	4
SAF22626	6 11/16	22	6 1/4	2 5/8	19 1/4	17 3/8	3 3/4	13 5/16	8 3/4	1	4
SAF22628	7 1/16	24 3/4	6 3/4	2 3/4	21 5/8	19 3/8	4 1/4	14 3/16	9 3/8	1	4
SAF22630	7 1/2	26 3/4	7 1/8	3	23 5/8	20 7/8	4 5/8	14 7/8	9 3/4	1	4
SAF22632	7 7/8	28	7 1/2	3 1/8	24 3/8	21 5/8	4 1/2	15 11/16	10 5/8	1 1/4	4
SAF22634	8 1/4	29 1/2	8	3 3/8	25	22 1/2	5	16 1/2	11 1/4	1 1/4	4
SAF22636	8 7/8	31 1/4	8 1/4	3 1/2	26 5/8	24	5 1/4	17 3/4	11 3/8	1 1/4	4
SAF22638	9 1/2	32 3/4	8 3/4	3 3/4	27 7/8	24 3/4	5 1/4	18 5/8	12	1 1/2	4

NTN
SERIES
SAF222
SAF223
CYLINDRICAL
BORE
MOUNTING

Units: **Millimeters**
INCHES

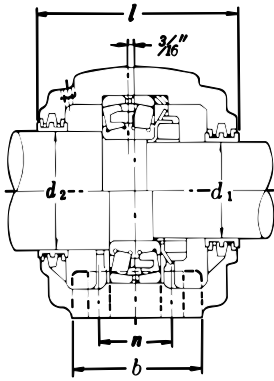


SAF PILLOW BLOCKS

Shaft Diameter Inches		Complete Pillow Block Number	Pillow Block Housing	Bearing Number	Basic Load Ratings (lbs)		Locknut	Lock-washer	Triple Seal Ring		Stabilizing Ring (1 required)
d_2	d_1				Dynamic C	Static C_o			d_2 Shaft (1 req'd)	d_1 Shaft (1 req'd)	
3 3/8	3	SAF22216	SAF216	22216BD1	40,500	53,500	AN16A	W16	LER82	LER54	SR140X10
3 15/16	3 3/16	SAF22217	SAF217	22217BD1	46,500	61,500	AN17A	W17	LER89	LER63	SR150X10
4 1/8	3 3/8	SAF22218	SAF218	22218BD1	57,500	77,500	AN18A	W18	LER96	LER72	SR160X10
4 1/2	3 13/16	SAF22220	SAF220	22220BD1	70,000	92,500	AN20A	W20	LER118	LER106	SR180X10
4 7/8	4 3/16	SAF22222	SAF222	22222BD1	92,500	128,000	AN22A	W22	LER121	LER113	SR200X10
5 5/16	4 9/16	SAF22224	SAF224	22224BD1	109,000	158,000	AN24A	W24	LER127	LER119	SR215X10
5 7/8	4 15/16	SAF22226	SAF226	22226BD1	127,000	176,000	AN26A	W26	LER136	LER122	SR230X10
6 1/4	5 5/16	SAF22228	SAF228	22228BD1	153,000	218,000	AN28A	W28	LER144	LER127	SR250X10
6 3/8	5 3/4	SAF22230	SAF230	22230BD1	174,000	262,000	AN30A	W30	LER151	LER134	SR270X10
7	6 1/16	SAF22232	SAF232	22232BD1	195,000	290,000	AN32A	W32	LER156	LER142	SR290X10
7 7/16	6 7/16	SAF22234	SAF234	22234BD1	225,000	340,000	AN34A	W34	LER161	LER148	SR310X10
7 13/16	6 7/8	SAF22236	SAF236	22236B	233,000	360,000	AN36A	W36	LER165	LER154	SR320X10
8 3/8	7 1/4	SAF22238	SAF238	22238B	260,000	410,000	AN38A	W38	LER171	LER160	SR340X10
8 3/4	7 5/8	SAF22240	SAF240	22240B	295,000	450,000	AN40A	W40	LER175	LER164	SR360X10
9 3/16	8 5/16	SAF22244	SAF244	22244B	350,000	545,000	N44	W44	LER179	LER170	SR400X10

SAF PILLOW BLOCKS

Shaft Diameter Inches		Complete Pillow Block Number	Pillow Block Housing	Bearing Number	Basic Load Ratings (lbs)		Locknut	Lock-washer	Triple Seal Ring		Stabilizing Ring (1 required)
d_2	d_1				Dynamic C	Static C_o			d_2 Shaft (1 req'd)	d_1 Shaft (1 req'd)	
1 15/16	1 7/16	SAF22308	SAF308	22308CD1	27,200	28,800	N08	W08	LER24	LER17	SR 90X6.5
2 1/8	1 11/16	SAF22309	SAF309	22309CD1	33,000	37,500	N09	W09	LER28	LER20	SR100X6
2 3/8	1 7/8	SAF22310	SAF310	22310CD1	42,000	47,500	N10	W10	LER35	LER23	SR110X8
2 9/16	2 1/16	SAF22311	SAF311	22311BD1	46,000	52,500	N11	W11	LER40	LER27	SR120X10
2 7/8	2 1/4	SAF22312	SAF312	22312BD1	53,000	60,500	N12	W12	LER47	LER33	SR130X10
3 1/16	2 7/16	SAF22313	SAF313	22313BD1	59,500	71,000	N13	W13	LER55	LER37	SR140X8.5
3 1/4	2 5/8	SAF22314	SAF314	22314BD1	72,500	85,000	N14	W14	LER64	LER43	SR150X10
3 7/16	2 13/16	SAF22315	SAF315	22315BD1	74,000	92,000	AN15A	W15	LER79	LER46	SR160X10
3 5/8	3	SAF22316	SAF316	22316BD1	86,000	105,000	AN16A	W16	LER84	LER60	SR170X10
3 15/16	3 3/16	SAF22317	SAF317	22317BD1	93,500	115,000	AN17A	W17	LER109	LER188	SR180X10
4 1/8	3 3/8	SAF22318	SAF318	22318BD1	107,000	132,000	AN18A	W18	LER112	LER191	SR190X9.5
4 1/2	3 13/16	SAF22320	SAF320	22320BD1	136,000	169,000	AN20A	W20	LER118	LER106	SR215X9.5
4 7/8	4 3/16	SAF22322	SAF322	22322BD1	167,000	209,000	AN22A	W22	LER121	LER113	SR240X9.5
5 5/16	4 9/16	SAF22324	SAF324	22324BD1	198,000	252,000	AN24A	W24	LER127	LER119	SR260X9.5
5 7/8	4 15/16	SAF22326	SAF326	22326BD1	221,000	282,000	AN26A	W26	LER136	LER122	SR280X9.5
6 1/4	5 5/16	SAF22328	SAF328	22328BD1	250,000	320,000	AN28A	W28	LER144	LER127	SR300X9.5
6 3/8	5 3/4	SAF22330	SAF330	22330B	281,000	385,000	AN30A	W30	LER151	LER134	SR320X9.5
7	6 1/16	SAF22332	SAF332	22332B	315,000	440,000	AN32A	W32	LER156	LER142	SR340X9.5
7 7/16	6 7/16	SAF22334	SAF334	22334B	340,000	480,000	AN34A	W34	LER161	LER148	SR360X10
7 13/16	6 7/8	SAF22336	SAF336	22336B	385,000	565,000	AN36A	W36	LER165	LER154	SR380X10
8 3/8	7 1/4	SAF22338	SAF338	22338B	415,000	615,000	AN38A	W38	LER171	LER160	SR400X10



HOW TO ORDER

Example: When you order one SAF22220, you will receive a package containing one SAF220 Pillow Block Housing, one No. 22220BD1 Bearing, one No. AN20A Locknut and one No. W20 Lockwasher. All units are supplied with two Triple Seal Rings and a Stabilizing Ring. If you specify SAF22220M3, the required end cover will be included. Always specify shaft size. The same example applies when you order SAF22320.

A pillow block housing number includes one housing and two triple seal rings automatically. Suffix G on a pillow block housing number means one stabilizing ring is also included.

SAF PILLOW BLOCKS											
Complete Pillow Block Number	Dimensions (Inches)									Set Bolts	
	h	a	b	c	m		n	w	l	Size	Number
					max.	min.					
SAF22216	3 1/2	13	3 1/2	1 1/4	11	9 5/8	—	6 15/16	5 3/8	3/4	2
SAF22217	3 3/4	13	3 1/2	1 1/4	11	9 7/8	—	7 3/8	5 3/8	3/4	2
SAF22218	4	13 3/4	3 7/8	1 5/16	11 5/8	10 3/8	—	7 13/16	6 1/4	3/4	2
SAF22220	4 1/2	15 1/4	4 3/8	1 3/4	13 1/8	11 5/8	—	8 3/4	6	7/8	2
SAF22222	4 15/16	16 1/2	4 3/4	2	14 1/2	12 5/8	2 3/4	9 5/8	6 1/2	3/4	4
SAF22224	5 1/4	16 1/2	4 3/4	2 1/8	14 1/2	13 1/4	2 3/4	10 1/4	7 3/8	3/4	4
SAF22226	6	18 3/8	5 1/8	2 3/8	16	14 5/8	3 1/4	11 1/2	8	7/8	4
SAF22228	6	20 1/8	5 7/8	2 3/8	17 1/8	16	3 3/8	11 3/4	7 5/8	1	4
SAF22230	6 5/16	21 1/4	6 1/4	2 1/2	18 1/4	17	3 3/4	12 1/2	8 3/8	1	4
SAF22232	6 11/16	22	6 1/4	2 5/8	19 1/4	17 3/8	3 3/4	13 5/16	8 3/4	1	4
SAF22234	7 1/16	24 3/4	6 3/4	2 3/4	21 5/8	19 3/8	4 1/4	14 3/16	9 5/8	1	4
SAF22236	7 1/2	26 3/4	7 1/8	3	23 5/8	20 7/8	4 5/8	14 7/8	10	1	4
SAF22238	7 7/8	28	7 1/2	3 1/8	24 3/8	21 5/8	4 1/2	15 11/16	10 3/4	1 1/4	4
SAF22240	8 1/4	29 1/2	8	3 3/8	25	22 1/2	5	16 1/2	11 1/4	1 1/4	4
SAF22244	9 1/2	32 3/4	8 3/4	3 3/4	27 7/8	24 3/4	5 1/4	18 5/8	12	1 1/2	4

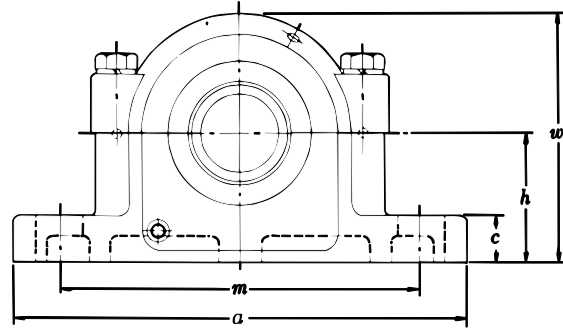
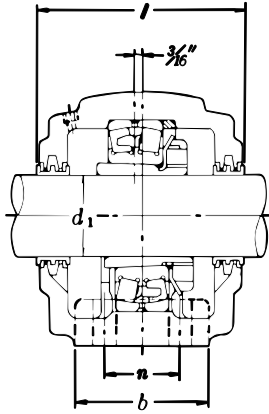
SAF PILLOW BLOCKS											
Complete Pillow Block Number	Dimensions (Inches)									Set Bolts	
	h	a	b	c	m		n	w	l	Size	Number
					max.	min.					
SAF22308	2 1/2	8 1/4	2 3/8	1	7	6 1/2	—	4 13/16	4	1/2	2
SAF22309	2 3/4	9 5/8	2 3/4	1	7 7/8	7 3/8	—	5 5/16	4 1/4	5/8	2
SAF22310	3	10 5/8	2 3/4	1 1/8	9	7 3/4	—	5 13/16	4 5/8	5/8	2
SAF22311	3 1/4	11	3 1/8	1 3/16	9 1/2	8 1/8	—	6 3/16	5	5/8	2
SAF22312	3 1/4	11 1/4	3 1/8	1 3/16	9 5/8	8 5/8	—	6 3/8	5 1/4	5/8	2
SAF22313	3 1/2	13	3 1/2	1 1/4	11	9 5/8	—	6 15/16	5 3/8	3/4	2
SAF22314	3 3/4	13	3 1/2	1 1/4	11	9 7/8	—	7 3/8	5 3/8	3/4	2
SAF22315	4	13 3/4	3 7/8	1 5/16	11 5/8	10 3/8	—	7 13/16	6 1/4	3/4	2
SAF22316	4 1/4	14 1/4	3 7/8	1 5/16	12 5/8	10 5/8	—	8 1/4	6 1/2	3/4	2
SAF22317	4 1/2	15 1/4	4 3/8	1 3/4	13 1/8	11 5/8	—	8 3/4	6 3/4	7/8	2
SAF22318	4 3/4	15 1/2	4 3/8	2	13 1/2	12	2 1/4	9 3/16	6 7/8	3/4	4
SAF22320	5 1/4	16 1/2	4 3/4	2 1/8	14 1/2	13 1/4	2 3/4	10 1/4	7 3/8	3/4	4
SAF22322	6	18 3/8	5 1/8	2 3/8	16	14 5/8	3 1/4	11 1/2	8	7/8	4
SAF22324	6 5/16	21 1/4	6 1/4	2 1/2	18 1/4	17	3 3/4	12 1/2	8 3/8	1	4
SAF22326	6 11/16	22	6 1/4	2 5/8	19 1/4	17 3/8	3 3/4	13 5/16	8 3/4	1	4
SAF22328	7 1/16	24 3/4	6 3/4	2 3/4	21 5/8	19 3/8	4 1/4	14 3/16	9 3/8	1	4
SAF22330	7 1/2	26 3/4	7 1/8	3	23 5/8	20 7/8	4 5/8	14 7/8	9 3/4	1	4
SAF22332	7 7/8	28	7 1/2	3 1/8	24 3/8	21 5/8	4 1/2	15 11/16	10 3/4	1 1/4	4
SAF22334	8 1/4	29 1/2	8	3 3/8	25	22 1/2	5	16 1/2	11 1/4	1 1/4	4
SAF22336	8 7/8	31 1/4	8 1/4	3 5/8	26 5/8	24	5 1/4	18 1/2	11 1/4	1 1/4	4
SAF22338	9 1/2	32 3/4	8 3/4	3 3/4	27 7/8	24 3/4	5 1/4	18 5/8	12	1 1/2	4



**SERIES
SAFS225
ADAPTER
MOUNTING**

**SAFS222
CYLINDRICAL
BORE
MOUNTING**

Units: Millimeters
INCHES



SAFS 225

SAFS PILLOW BLOCKS

Shaft Diameter d_1 Inches	Complete Pillow Block Number	Pillow Block Housing	Bearing Number	PILLOW BLOCK COMPONENT NUMBERS				
				Basic Load Ratings (lbs)		Adapter Locknut and Lockwasher	Triple Seal Ring (2 required)	Stabilizing Ring (1 required)
				Dynamic C	Static C_0			
1 7/16	SAFS22509	SAFS509	22209CKD1	18,600	21,400	SNW09	LER17	SR 85X6
1 11/16	SAFS22510	SAFS510	22210CKD1	19,300	23,000	SNW10	LER20	SR 90X6.5
1 15/16	SAFS22511	SAFS511	22211BKD1	21,000	24,700	SNW11	LER24	SR100X6
2 3/16	SAFS22513	SAFS513	22213BKD1	32,000	40,500	SNW13	LER29	SR120X10
2 7/16	SAFS22515	SAFS515	22215BKD1	37,000	50,000	SNW15	LER37	SR130X10
2 11/16	SAFS22516	SAFS516	22216BKD1	40,500	53,500	SNW16	LER44	SR140X10
2 15/16	SAFS22517	SAFS517	22217BKD1	46,500	61,500	SNW17	LER53	SR150X10
3 3/16	SAFS22518	SAFS518	22218BKD1	57,500	77,500	SNW18	LER69	SR160X10
3 7/16	SAFS22520	SAFS520	22220BKD1	70,000	92,500	SNW20	LER75	SR180X10
3 15/16	SAFS22522	SAFS522	22222BKD1	92,500	128,000	SNW22	LER93	SR200X10
4 3/16	SAFS22524	SAFS524	22224BKD1	109,000	158,000	SNW24	LER113	SR215X10
4 7/16	SAFS22526	SAFS526	22226BKD1	127,000	176,000	SNW26	LER117	SR230X10
4 15/16	SAFS22528	SAFS528	22228BKD1	153,000	218,000	SNW28	LER122	SR250X10
5 3/16	SAFS22530	SAFS530	22230BKD1	174,000	262,000	SNW30	LER125	SR270X10
5 7/16	SAFS22532	SAFS532	22232BKD1	195,000	290,000	SNW32	LER130	SR290X10
5 15/16	SAFS22534	SAFS534	22234BKD1	225,000	340,000	SNW34	LER140	SR310X10
6 7/16	SAFS22536	SAFS536	22236BK	233,000	360,000	SNW36	LER148	SR320X10
6 15/16	SAFS22538	SAFS538	22238BK	260,000	410,000	SNW38	LER224	SR340X10
7 3/16	SAFS22540	SAFS540	22240BK	295,000	450,000	SNW40	LER228	SR360X10
7 15/16	SAFS22544	SAFS544	22244BK	350,000	545,000	SNW44	LER236	SR400X10

SAFS PILLOW BLOCKS

Shaft Diameter Inches		Complete Pillow Block Number	Pillow Block Housing	Bearing Number	PILLOW BLOCK COMPONENT NUMBERS						
					Basic Load Ratings (lbs)		Locknut	Lock-washer	Triple Seal Ring		Stabilizing Ring (1 required)
					Dynamic C	Static C_0			d_2 Shaft (1 req'd)	d_1 Shaft (1 req'd)	
3 5/8	3	SAFS22216	SAFS216	22216BD1	40,500	53,500	AN16A	W16	LER 82	LER 54	SR140X10
3 15/16	3 3/16	SAFS22217	SAFS217	22217BD1	46,500	61,500	AN17A	W17	LER89	LER 63	SR150X10
4 1/8	3 3/8	SAFS22218	SAFS218	22218BD1	57,500	77,500	AN18A	W18	LER96	LER 72	SR160X10
4 1/2	3 13/16	SAFS22220	SAFS220	22220BD1	70,000	92,500	AN20A	W20	LER205	LER 87	SR180X10
4 7/8	4 3/16	SAFS22222	SAFS222	22222BD1	92,500	128,000	AN22A	W22	LER121	LER113	SR200X10
4 9/16	4 9/16	SAFS22224	SAFS224	22224BD1	109,000	158,000	AN24A	W24	LER127	LER119	SR215X10
5 7/8	4 15/16	SAFS22226	SAFS226	22226BD1	127,000	176,000	AN26A	W26	LER136	LER122	SR230X10
6 1/4	5 5/16	SAFS22228	SAFS228	22228BD1	153,000	218,000	AN28A	W28	LER144	LER127	SR250X10
6 5/8	5 3/4	SAFS22230	SAFS230	22230BD1	174,000	262,000	AN30A	W30	LER151	LER134	SR270X10
7	6 1/16	SAFS22232	SAFS232	22232BD1	195,000	290,000	AN32A	W32	LER156	LER142	SR290X10
7 7/16	6 7/16	SAFS22234	SAFS234	22234BD1	225,000	340,000	AN34A	W34	LER161	LER148	SR310X10
7 13/16	6 7/8	SAFS22236	SAFS236	22236B	233,000	360,000	AN36A	W36	LER165	LER154	SR320X10
8 3/8	7 1/4	SAFS22238	SAFS238	22238B	260,000	410,000	AN38A	W38	LER240	LER229	SR340X10
8 3/4	7 5/8	SAFS22240	SAFS240	22240B	295,000	450,000	AN40A	W40	LER244	LER233	SR360X10
9 9/16	8 5/16	SAFS22244	SAFS244	22244B	350,000	545,000	N44	W44	LER248	LER239	SR400X10

HOW TO ORDER

Example No. 1: When you order one SAFS22520, you will receive a package containing one SAFS520 Pillow Block Housing, one No. 22220BKD1 Bearing and one SNW20 Adapter.

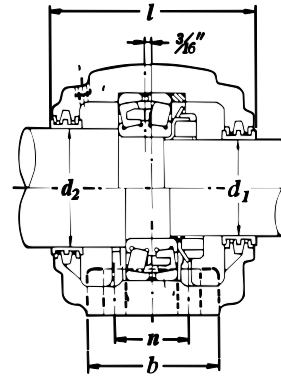
Example No. 2: When you order one SAFS22220, you will receive a package containing one SAFS220 Pillow Block Housing, one No. 22220BD1 Bearing, one No. AN20A Locknut and one No. W/20 Lockwasher.

For both of the above examples:

All units are supplied with two Triple Seal Rings and a Stabilizing Ring. If you specify SAFS22520M3, the required end cover will be included. Always specify shaft size.

A pillow block housing number includes one housing and two triple seal rings automatically. Suffix G on a pillow block housing number means one stabilizing ring is also included.

Units: Millimeters
INCHES



SAFS 222



SAFS PILLOW BLOCKS											
Complete Pillow Block Number	Dimensions (Inches)									Set Bolts	
	<i>h</i>	<i>a</i>	<i>b</i>	<i>c</i>	<i>m</i>		<i>n</i>	<i>w</i>	<i>l</i>	Size	Number
					max.	min.					
SAFS22509	2 1/4	8 1/4	2 3/8	7/8	7	6 1/4	—	4 7/16	3 5/8	1/2	2
SAFS22510	2 1/2	8 1/4	2 3/8	1	7	6 1/2	—	4 13/16	4	1/2	2
SAFS22511	2 3/4	9 5/8	2 3/4	1	7 7/8	7 3/8	—	5 5/16	4 1/4	5/8	2
SAFS22513	3	11	3 1/8	1	9 1/2	8 1/8	—	5 15/16	5	5/8	2
SAFS22515	3 1/4	11 1/4	3 1/8	1 3/16	9 5/8	8 5/8	—	6 3/8	5 1/4	5/8	2
SAFS22516	3 1/2	13	3 1/2	1 1/4	11	9 5/8	—	6 15/16	5 3/8	3/4	2
SAFS22517	3 3/4	13	3 1/2	1 1/4	11	9 7/8	—	7 3/8	5 3/8	3/4	2
SAFS22518	4	13 3/4	3 7/8	1 5/16	11 5/8	10 3/8	—	7 13/16	6 1/4	3/4	2
SAFS22520	4 1/2	15 1/4	4 3/8	1 1/2	13 1/8	11 5/8	—	8 7/8	6 3/4	7/8	2
SAFS22522	4 15/16	16 1/2	4 3/4	1 5/8	14 1/2	12 5/8	2 3/4	9 11/16	7 1/4	3/4	4
SAFS22524	5 1/4	16 1/2	4 3/4	1 3/4	14 1/2	13 1/4	2 3/4	10 1/4	7 3/8	3/4	4
SAFS22526	6	18 3/8	5 1/8	1 7/8	16	14 5/8	3 1/4	11 9/16	8	7/8	4
SAFS22528	6	20 1/8	5 7/8	1 15/16	17 1/8	16	3 3/8	12	7 5/8	1	4
SAFS22530	6 5/16	21 1/4	6 1/4	2	18 1/4	17	3 3/4	12 11/16	8 3/8	1	4
SAFS22532	6 11/16	22	6 1/4	2	19 1/4	17 3/8	3 3/4	13 9/16	8 3/4	1	4
SAFS22534	7 1/16	24 3/4	6 3/4	2 1/8	21 5/8	19 3/8	4 1/4	14 9/16	9 5/8	1	4
SAFS22536	7 1/2	26 3/4	7 1/8	2 1/8	23 5/8	20 7/8	4 5/8	15 5/16	10	1	4
SAFS22538	7 7/8	28	7 1/2	2 3/8	24 3/8	21 5/8	4 1/2	16 3/16	10 5/8	1 1/4	4
SAFS22540	8 1/4	29 1/2	8	2 3/8	25	22 1/2	5	17 3/16	11 1/8	1 1/4	4
SAFS22544	9 1/2	32 3/4	8 3/4	2 3/4	27 7/8	24 3/4	5 1/4	19 7/16	11 7/8	1 1/2	4

SAFS PILLOW BLOCKS											
Complete Pillow Block Number	Dimensions (Inches)									Set Bolts	
	<i>h</i>	<i>a</i>	<i>b</i>	<i>c</i>	<i>m</i>		<i>n</i>	<i>w</i>	<i>l</i>	Size	Number
					max.	min.					
SAFS22216	3 1/2	13	3 1/2	1 1/4	11	9 5/8	—	6 15/16	5 3/8	3/4	2
SAFS22217	3 3/4	13	3 1/2	1 1/4	11	9 7/8	—	7 3/8	5 3/8	3/4	2
SAFS22218	4	13 3/4	3 7/8	1 5/16	11 5/8	10 3/8	—	7 13/16	6 1/4	3/4	2
SAFS22220	4 1/2	15 1/4	4 3/8	1 1/2	13 1/8	11 5/8	—	8 7/8	6 3/4	7/8	2
SAFS22222	4 15/16	16 1/2	4 3/4	1 5/8	14 1/2	12 5/8	2 3/4	9 11/16	7 1/4	3/4	4
SAFS22224	5 1/4	16 1/2	4 3/4	1 3/4	14 1/2	13 1/4	2 3/4	10 1/4	7 3/8	3/4	4
SAFS22226	6	18 3/8	5 1/8	1 7/8	16	14 5/8	3 1/4	11 9/16	8	7/8	4
SAFS22228	6	20 1/8	5 7/8	1 15/16	17 1/8	16	3 3/8	12	7 5/8	1	4
SAFS22230	6 5/16	21 1/4	6 1/4	2	18 1/4	17	3 3/4	12 11/16	8 3/8	1	4
SAFS22232	6 11/16	22	6 1/4	2	19 1/4	17 3/8	3 3/4	13 9/16	8 3/4	1	4
SAFS22234	7 1/16	24 3/4	6 3/4	2 1/8	21 5/8	19 3/8	4 1/4	14 9/16	9 5/8	1	4
SAFS22236	7 1/2	26 3/4	7 1/8	2 1/8	23 5/8	20 7/8	4 5/8	15 5/16	10	1	4
SAFS22238	7 7/8	28	7 1/2	2 3/8	24 3/8	21 5/8	4 1/2	16 3/16	10 5/8	1 1/4	4
SAFS22240	8 1/4	29 1/2	8	2 3/8	25	22 1/2	5	17 3/16	11 1/8	1 1/4	4
SAFS22244	9 1/2	32 3/4	8 3/4	2 3/4	27 7/8	24 3/4	5 1/4	19 7/16	11 7/8	1 1/4	4